











# Assembly Instructions

**Caution : You must read this before you proceed**

## Care & Maintenance

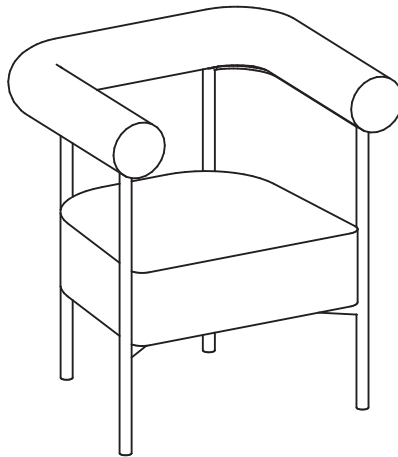
- ⊘  ● Not for commercial use. For residential use only.
- ✓  ● Furniture may scratch floors. We recommend using furniture pads to protect your floors.
- ⊘  ● Do not put hot items directly on furniture surface.
- ⊘  ● Do not clean furniture with harsh cleansers or polish.
- ⊘  ● Do not place furniture under direct sunlight.
- ⊘  ● Do not place furniture near heating or cooling vents.
- ⊘  ● Do not write on furniture without a padded barrier to protect the surface.
- ⊘  ● Do not place furniture outside . For indoor use only.
- ⊘  ● Stains may be removed with mild soap solution and damp cloth.
- ⊘  ● Children should not climb or jump on the furniture.







- Dust and pick-up spills using a clean, non-colored, lint-free cloth.

Please look in carton for hardware packs and legs.  
Sets often ship in multiple boxes and may arrive a day or two apart.





**Accent Chair  
N765P236503**



**Parts List**

Label	Picture	Description	QTY
A		Back	1
B		Seat Cushion	1
C		Left Leg Frame	1
D		Right Leg Frame	1

**Hardware**

Label	Picture	Description	QTY
①		Bolt (M6x18mm)	7
②		Bolt (M6x45mm)	5
③		Washer (6x16x1.5mm)	11
④		Allen Wrench (4mm)	1

## Assembly Preparation

Before Beginning Assembly :



A



B



C



D



① x7



② x5



③ x11



④ x1



- Read instructions, cover to cover-



- Have 2 adults on hand for assembly-



- Do not assemble on flooring or carpet-



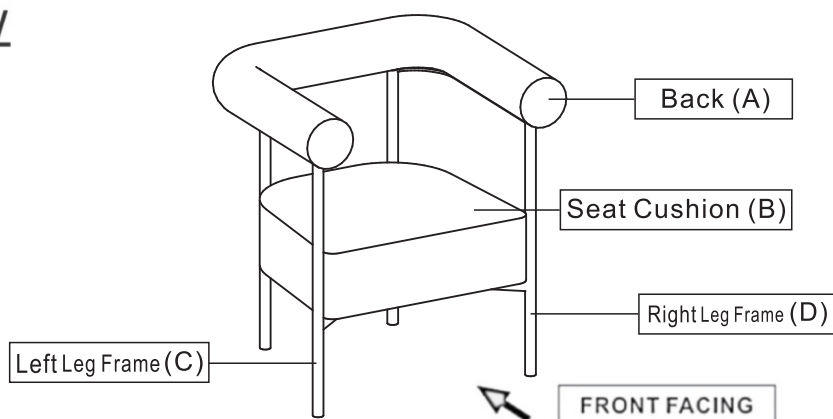
- Assemble on a clean non-marring surface (packing foam)-



- Save all packaging until finished-

## Assembly Steps

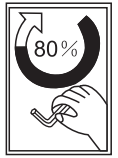
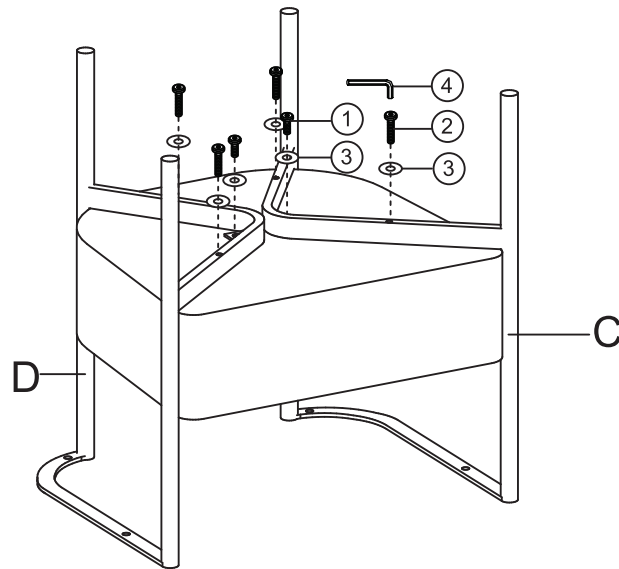
### Overview



This Dining Chair has multiple parts and may require up to some 30 minutes to assemble. To give you an overview of the Dining Chair parts, the above picture is to help you put the various parts into perspective.

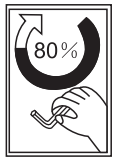
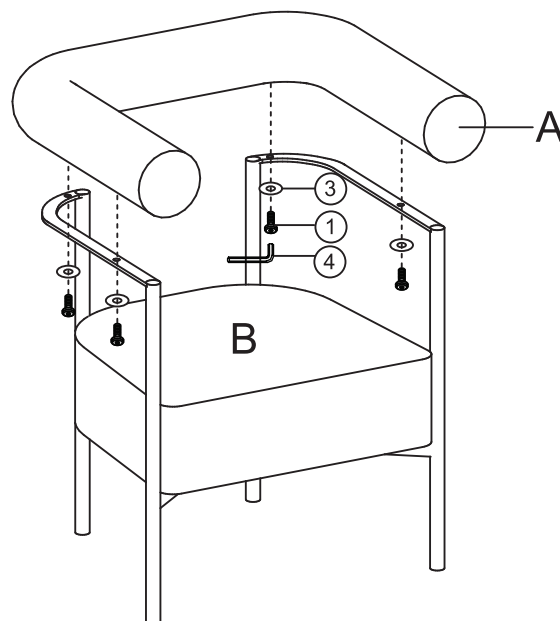
Please read through the instructions below to familiarise yourself with the parts and steps before assembly.

## Step1



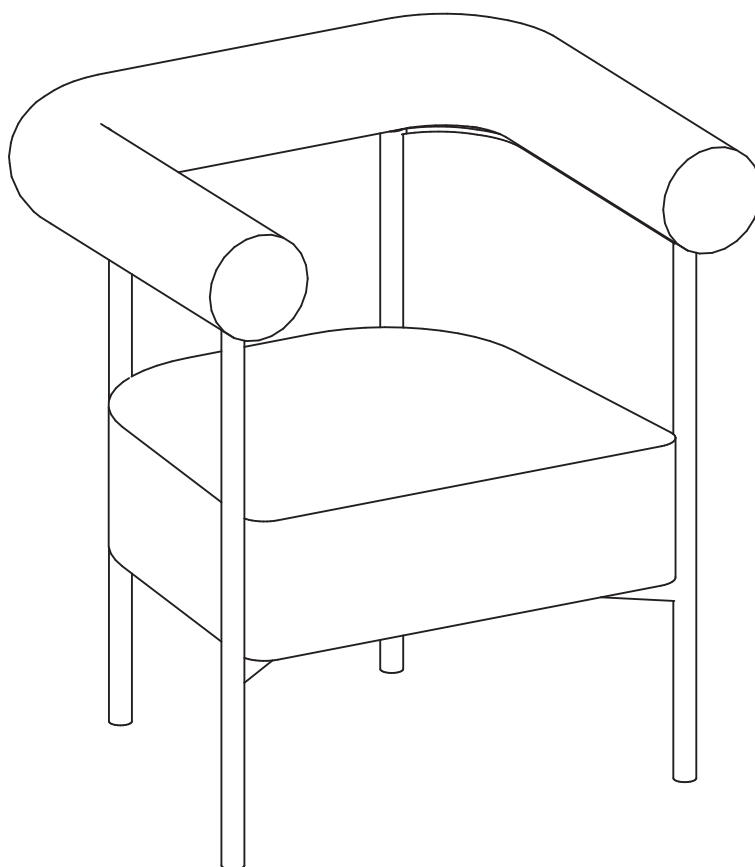
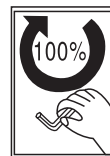
Attach the Left Leg frame (C) and Right Leg frame (D) to seat cushion using the washer(③), Bolt(②) with Allen Wrench(④) as pictured above . Do not fully tighten the Bolts .

## Step2



Attach the Back (A) and Leg frame using the washer(③), Bolt(①) with Allen Wrench(④) as pictured above . Do not fully tighten the Bolts .

## Step3



After checking the chair, If no problem, pls tighten all the Bolts.  
Your Chair is ready for use .  
This chair can only be used on a flat, level surface.