

# LANGSTON MEDIUM CHANDELIER

## PRODUCT FEATURES

- Hand-formed fluted glass with inner laser etched tubing to diffuse light
- Shorter and taller pieces of glass can be mixed and matched in placement
- Centerpiece in a large entry or as a statement in a living or dining space
- Includes (2) 6" and (4) 12" rigid stems in coordinating finish.
- Fully dimmable integrated LED lamp
- Protected by a 5-year warranty. Please visit the "About Us" Page on [techlighting.com](http://techlighting.com) for more for warranty details



## LAMPING

Includes 86.4 watt, 5946 total delivered lumens, 90 CRI 2700K LED modules. Dimmable with most LED compatible ELV, TRIAC and 0-10V dimmers. Ships with 4-12" and 2-6" rigid stems. 120V-277V. Not sloped ceiling compatible.

Plated Brass



Plated Brass



Plated Brass (Alt)



Plated Dark Bronze

## ORDERING INFORMATION

700LGSN	LENGTH (A)	FINISH	LAMP
	31 31"	BR PLATED BRASS PZ PLATED DARK BRONZE	-LED927 INTEGRATED LED 90 CRI 2700K 120V-277V UNV

700LGSN \_\_\_\_\_

JOB NAME \_\_\_\_\_

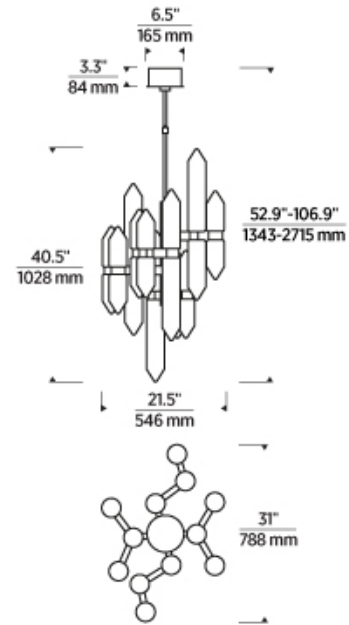
NOTES \_\_\_\_\_  
\_\_\_\_\_  
\_\_\_\_\_



# LANGSTON MEDIUM CHANDELIER

## SPECIFICATIONS

PRIMARY MATERIAL	Steel
SHADE MATERIAL	Crystal
NET WEIGHT	15 lbs
HEIGHT	40.5in
WIDTH	21.5in
LENGTH	31in
UP LIGHT / DOWN LIGHT / BOTH?	
WET LISTED	
DAMP LISTED	Yes
DRY LISTED	
MIN. HANGING HEIGHT	52.9in
MAX HANGING HEIGHT	106.9in
TOTAL CORD LENGTH	
TOTAL STEM LENGTH	Up to 60in
STEM QTY	6
SLOPED CEILING ADAPTABLE?	No
GENERAL LISTING	ETL Listed
INCLUDES	



## LAMPING SPECIFICATIONS

	LED LAMP	INTEGRATED LED	NON LED	NO LAMP
DELIVERED LUMENS		5946		
WATTS		86.4		
MAX WATTAGE PER BULB		86.4W		
INPUT VOLTAGE/ DIMMING TYPE		Universal 120V-277V 0-10, ELV, TRIAC		
CCT		2700K		
CRI		90 CRI		
LED LIFETIME				
L70		>50000		
AVERAGE BULB HOURS				
FIELD SERVICEABLE LED				
LAMP BASE		Integrated LED		
LAMP SHAPE		Integrated LED		
LAMP INCLUDED?		True		
WARRANTY**		5 Years		

\* Dimming information available at [www.techlighting.com/Downloads#dimming](http://www.techlighting.com/Downloads#dimming)

\*\* Visit [techlighting.com](http://techlighting.com) for specific warranty limitations and details.

## T20 / T24 / JA8 INFORMATION

	Integrated LED	Replacement LED Lamp	No Lamp *
This product can be used to comply with California Building Energy Efficiency Standards 2016 <b>Title 24</b> Part 6 / JA8.	Yes		
This product can be used to comply with California Appliance Efficiency Standards 2016 <b>Title 20</b> and may be shipped to and sold in California.	N/A		

\* If a light fixture or component does not include a lamp or light source, it is the responsibility of the customer to select a lamp that meets the T24 and T20 requirements.

