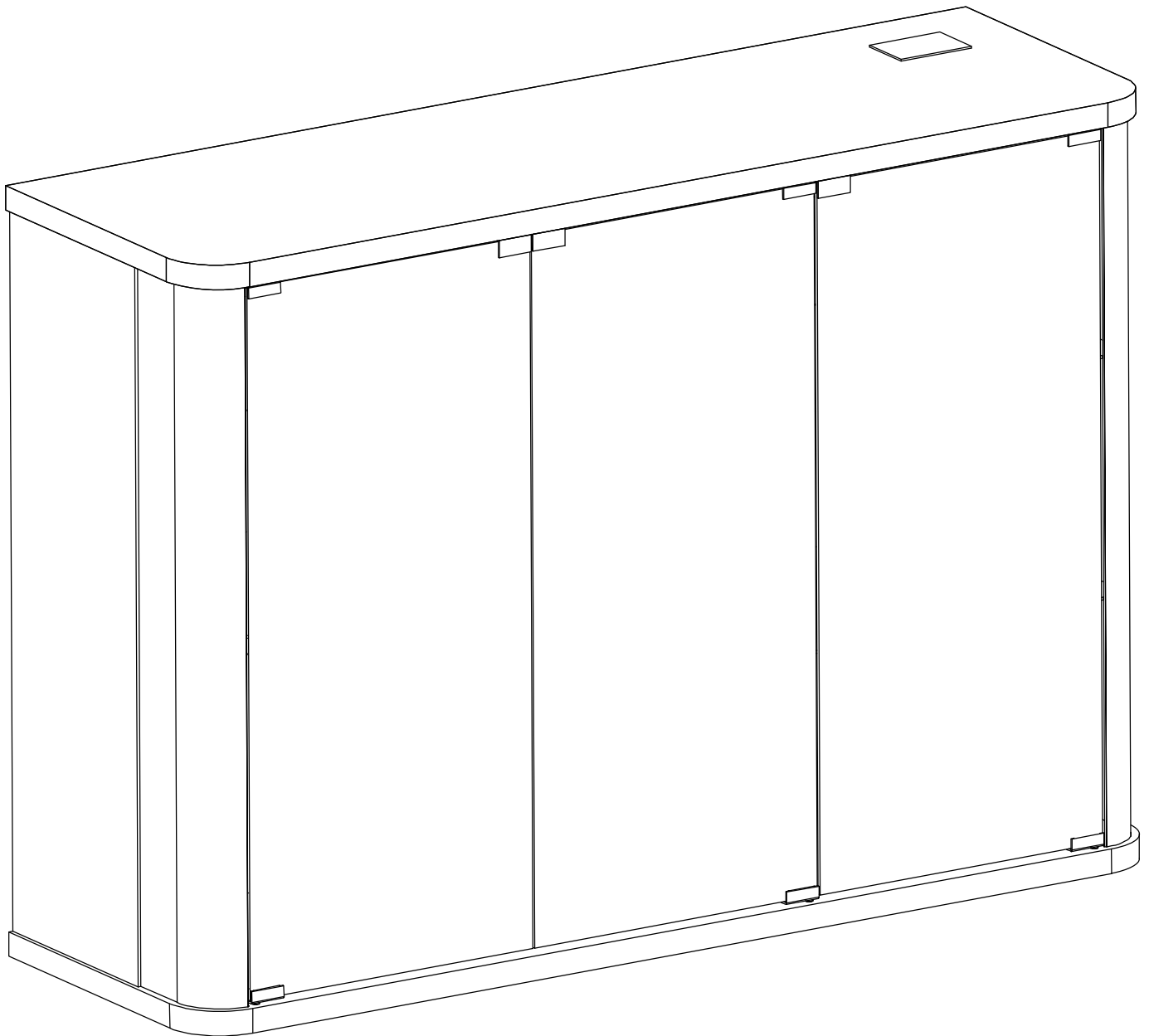
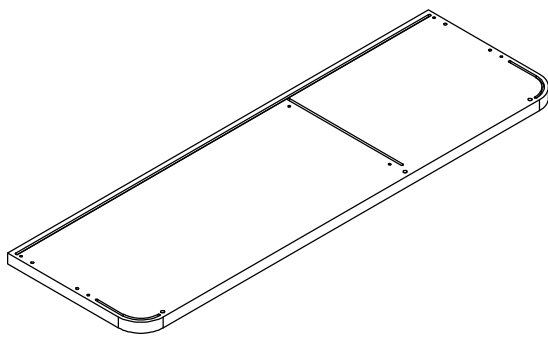


# Product Installation Instructions

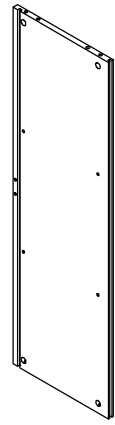




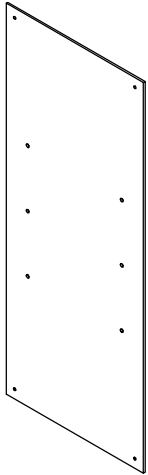
1×1



2×1



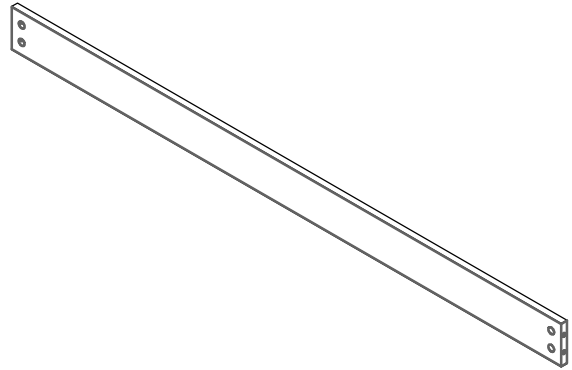
3×1



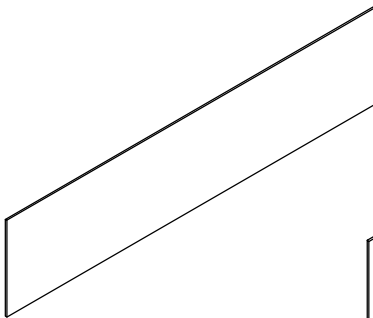
4×1



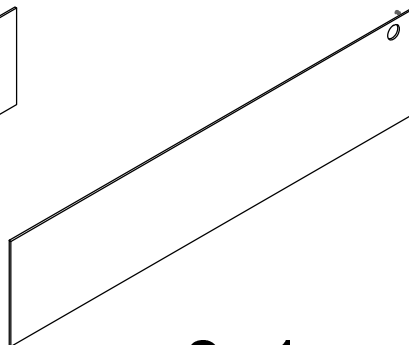
5×2



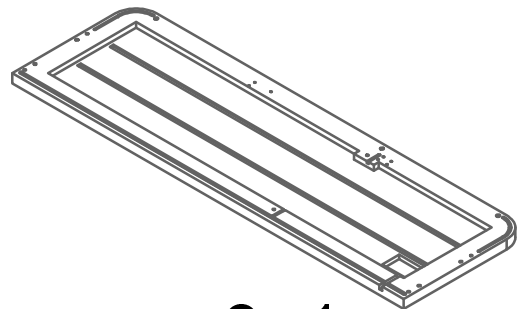
6×1



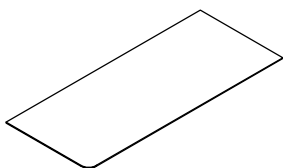
7×2



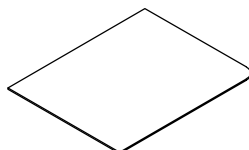
8×1



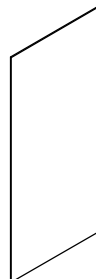
9×1



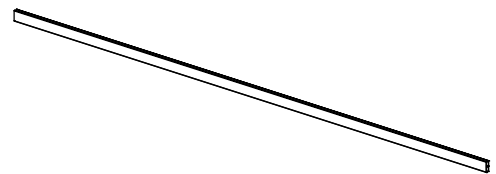
10×1



11×2

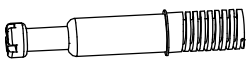


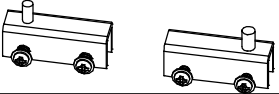
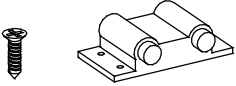

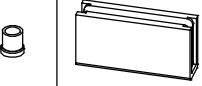
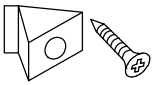


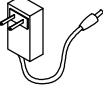
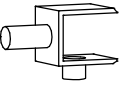

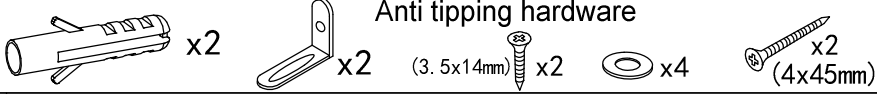



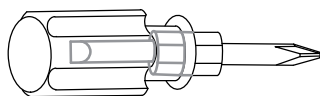
12×3



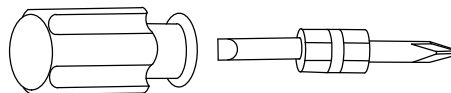
13×2

# Accessories list

A		Two In One Screw (6×28mm)	12pcs +2pcs		
B		Two In One Nut (10×12mm)	12pcs +2pcs		
C		Wood Chipping (6×30mm)	8pcs		
		Hinge	6pcs		
D		Rebound device & Screw (3×16mm)	4pcs +1pcs	1pcs	
		Rebound device & Screw (3×16mm)	4pcs +1pcs	1pcs	
		Iron sheet	6pcs	3pcs	
E		Fixing Clip & Screw (3×16mm)	10pcs		
F		Corner Bracket & Screw (4×8mm)	4pcs	4pcs	8pcs
G		Laminate Support Nail Screw (6×16mm)	6pcs		
H		AC/DC Adapter (12V 3.0A)	1pcs		
I		Class clip fastening	6pcs		
J		Foot pads (36×36mm)	6pcs		
K	 Anti tipping hardware x2    x2    (3.5x14mm) x2    x4    x2 (4x45mm)				
L		Wire Clamp	2pcs		

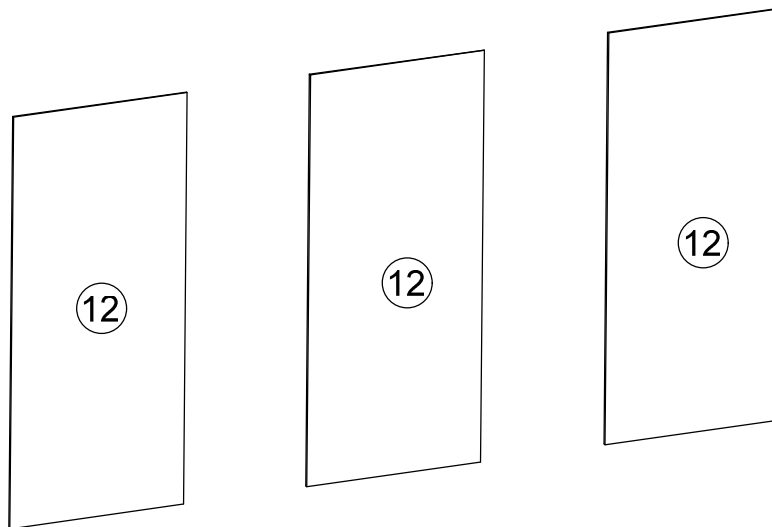
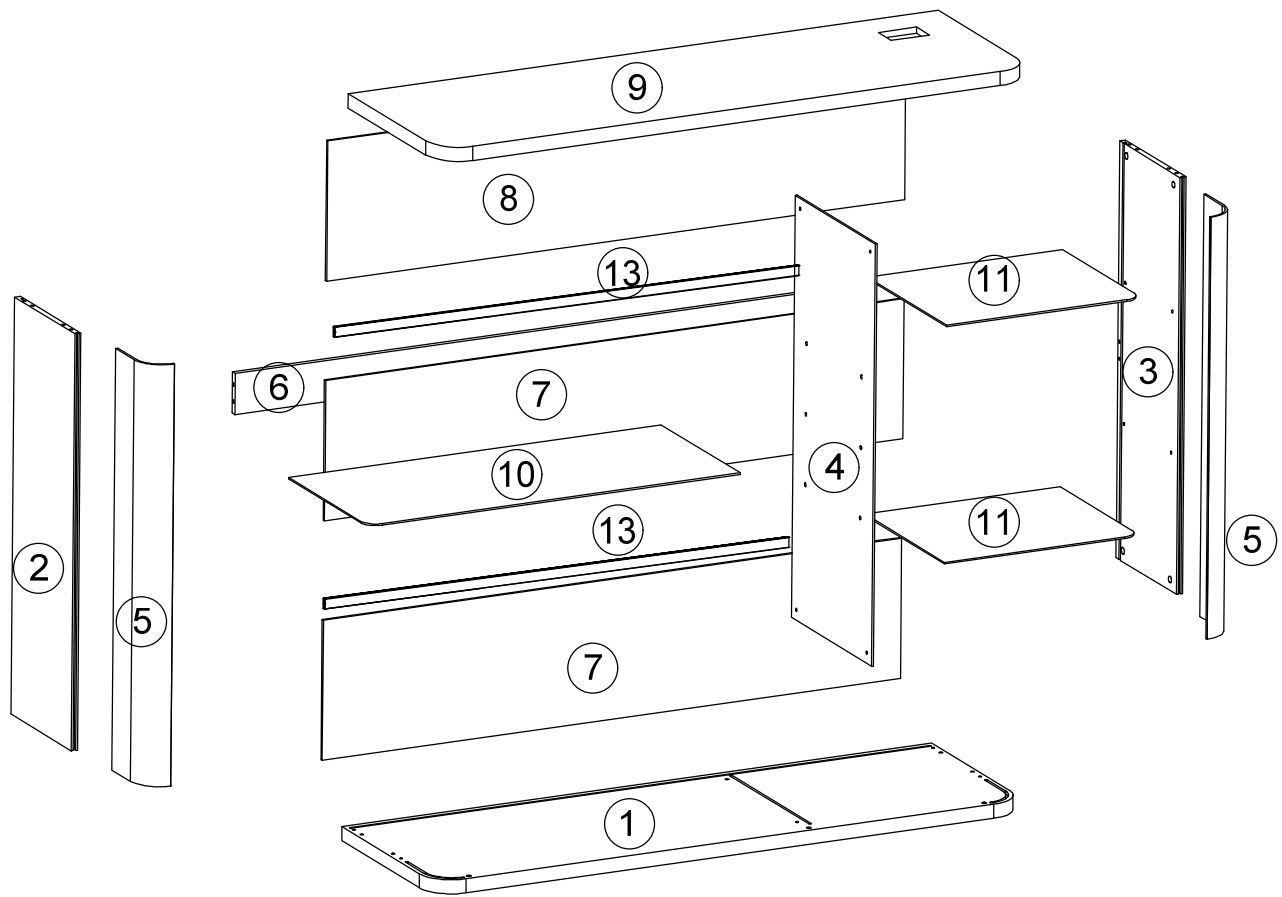


1pcs



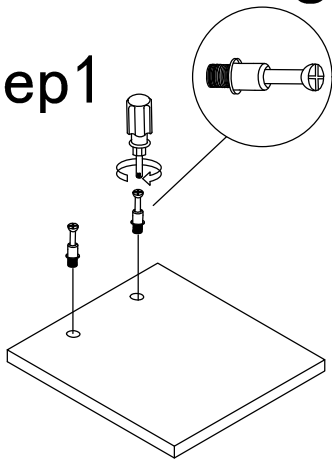
Double-head screwdriver, use as required

# Product structure decomposition

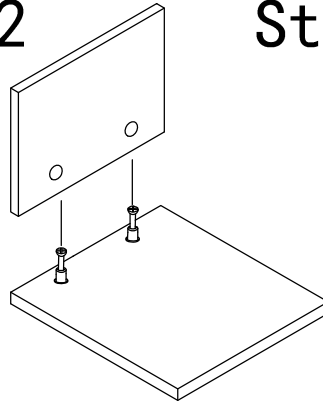


# Use parts A and B

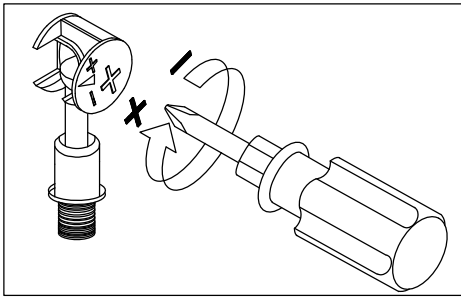
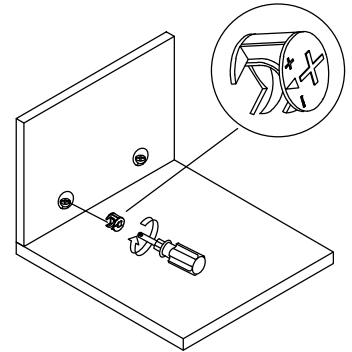
Step1



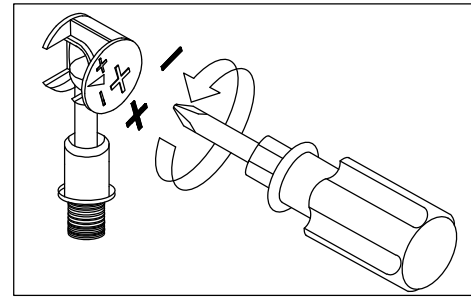
Step2



Step3



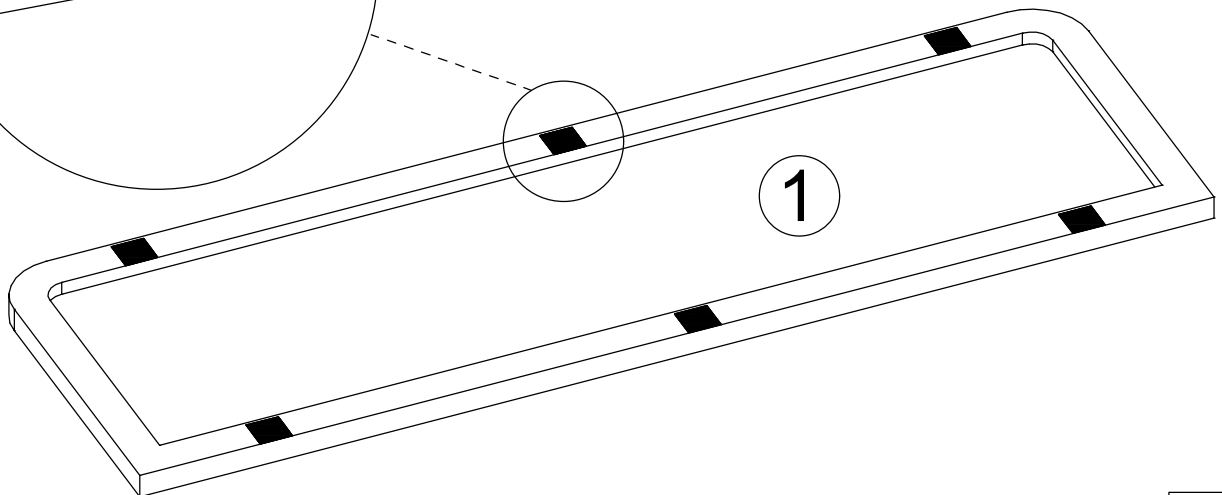
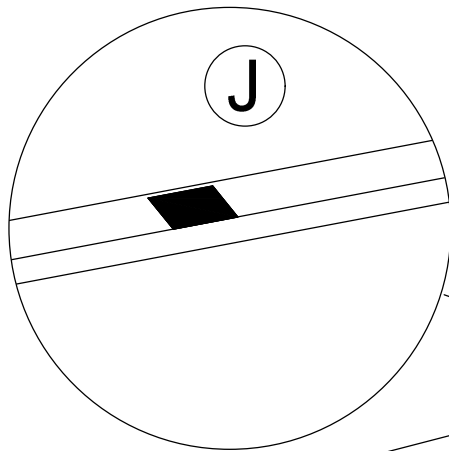
Use a screwdriver to lock in the direction of the "+" sign



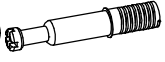
Disassemble along the direction of "-" sign

Step 1

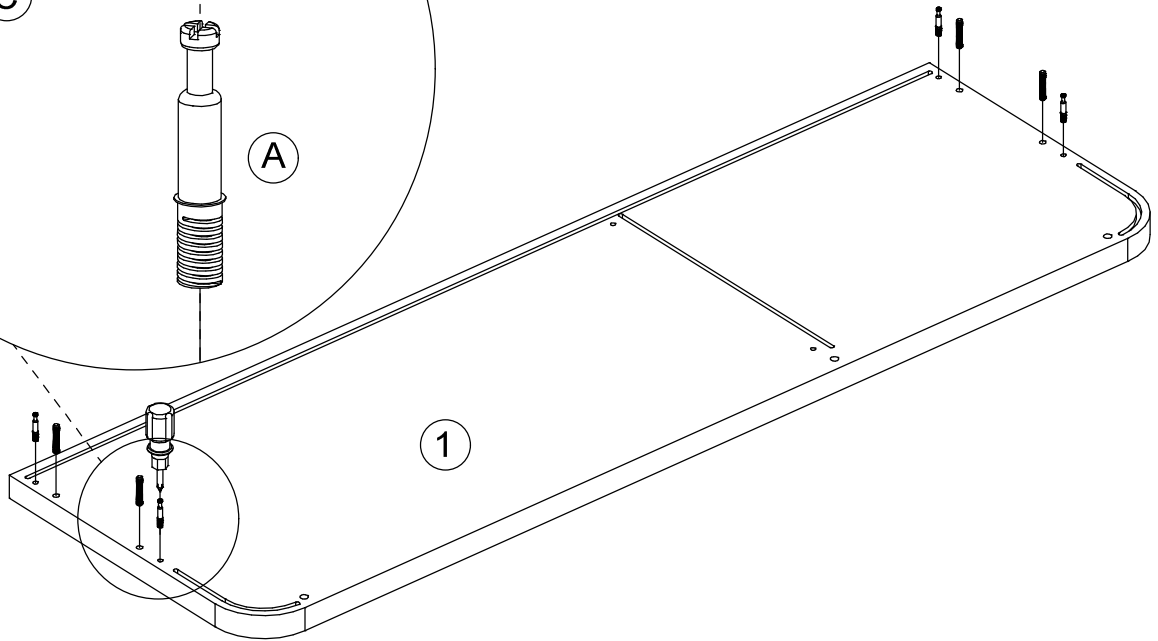
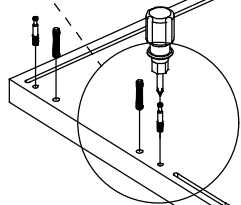
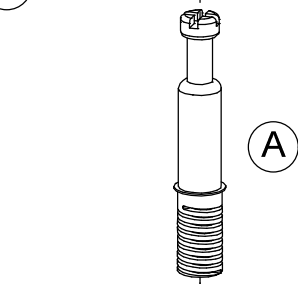
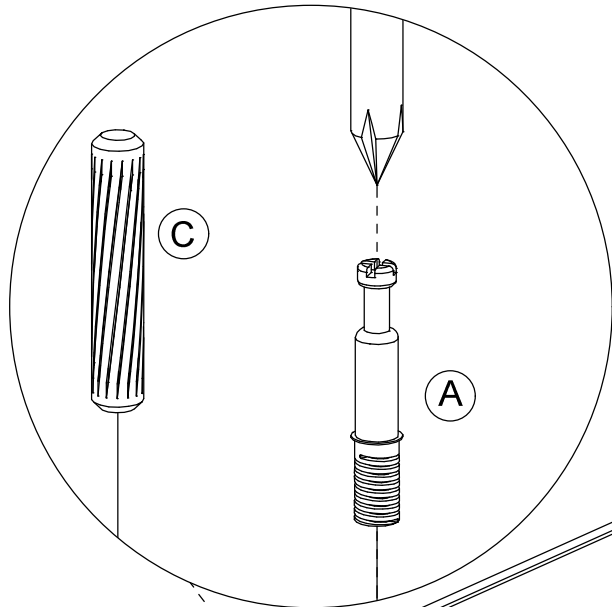
J ■ ×6



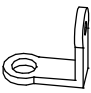

## Step 2

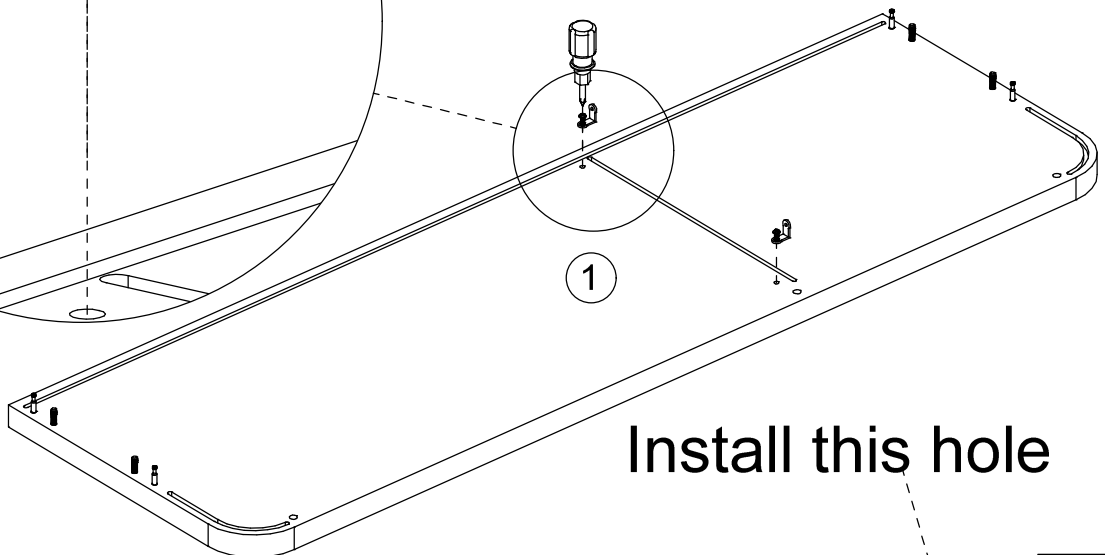
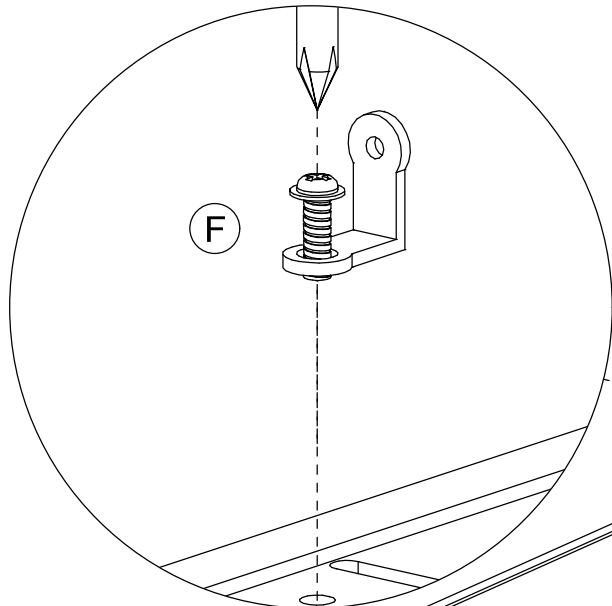
(A)  x4

(C)  x4

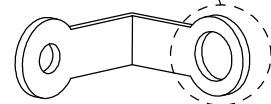


## Step 3

(F)   x2

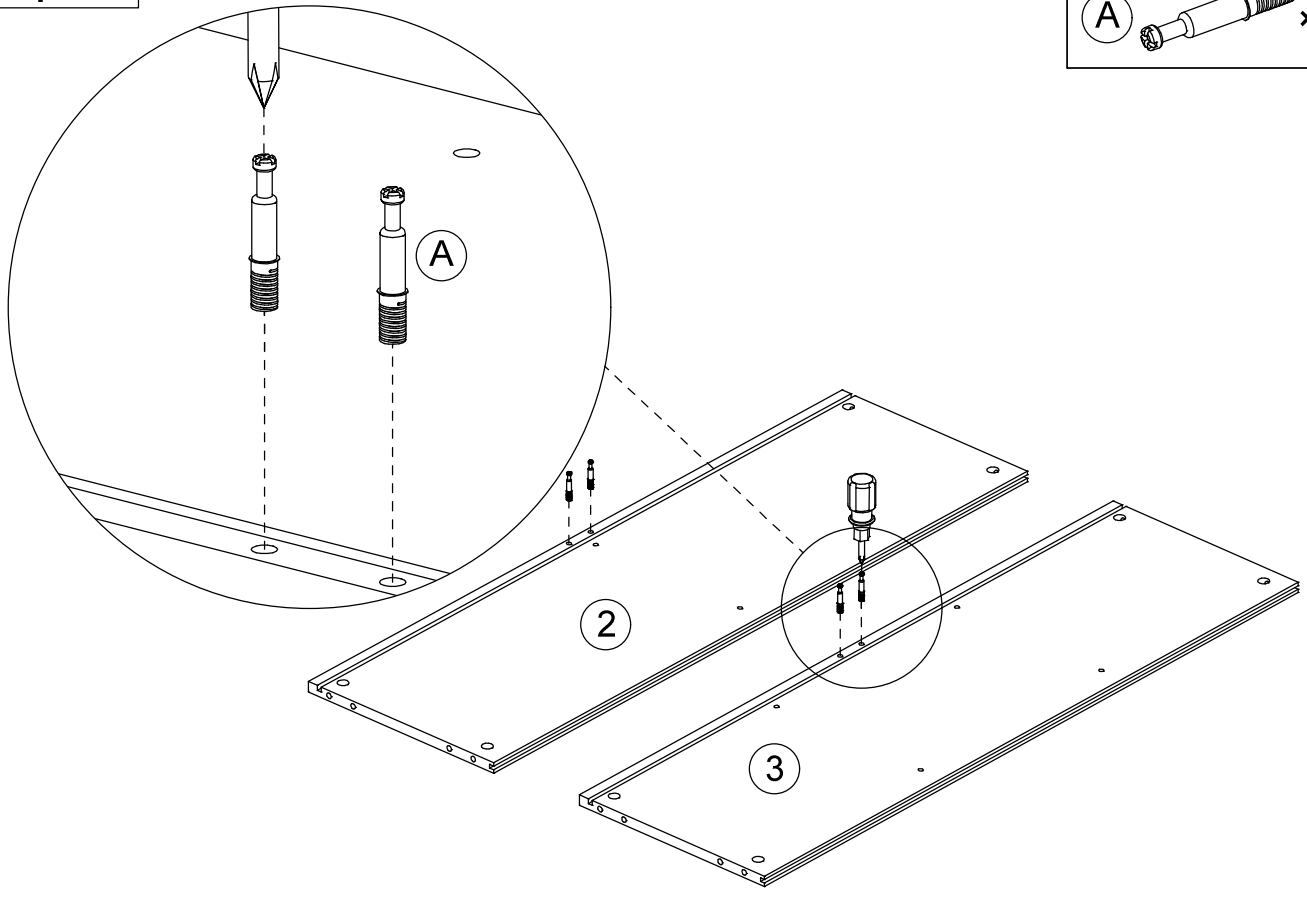
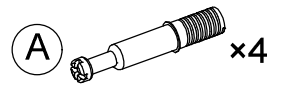


Install this hole

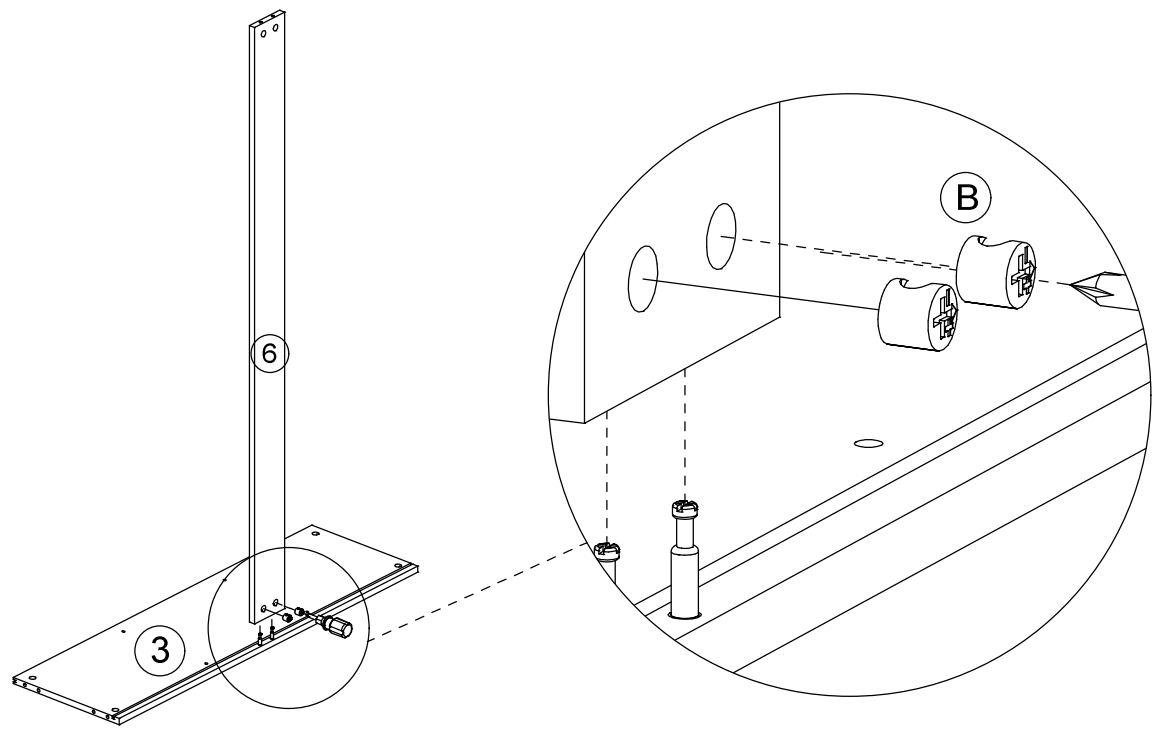
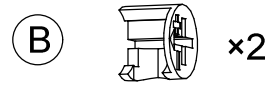


05


# Step 4

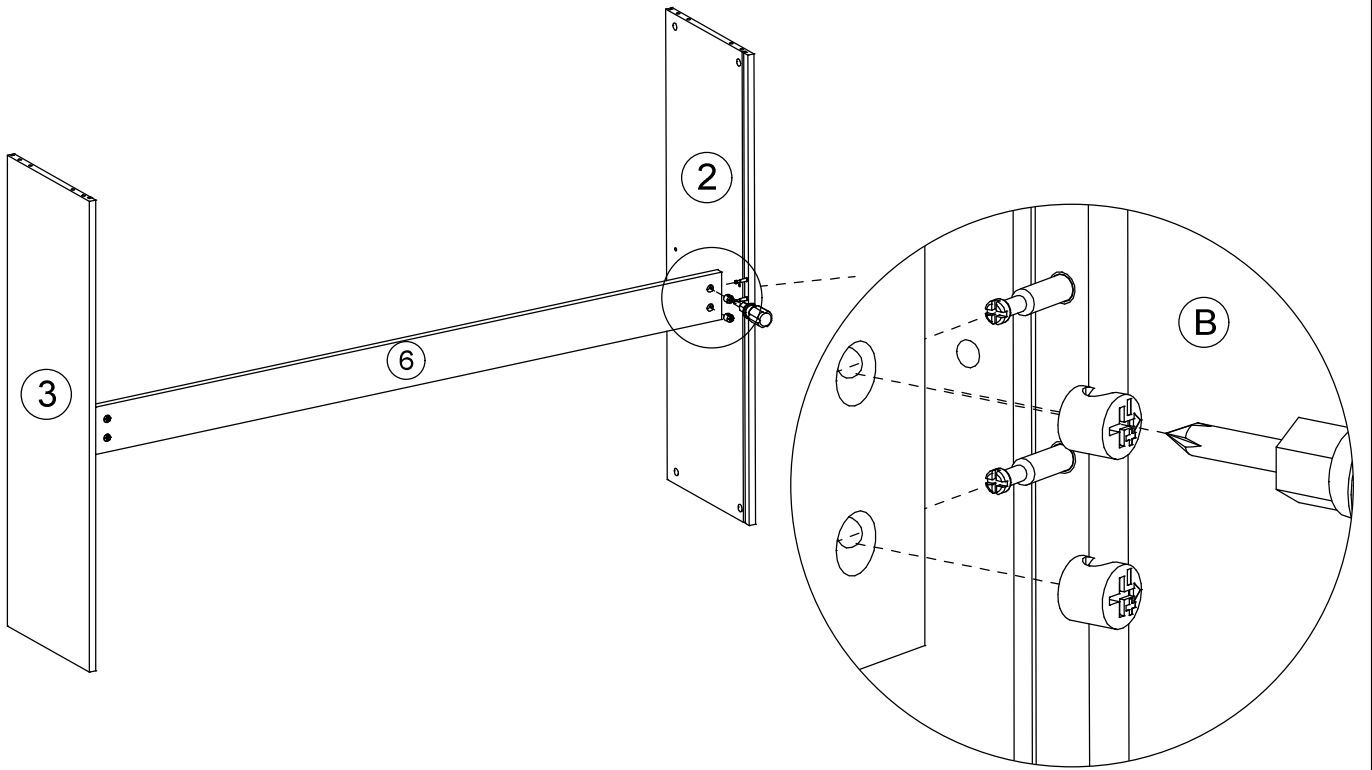


# Step 5

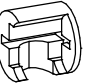


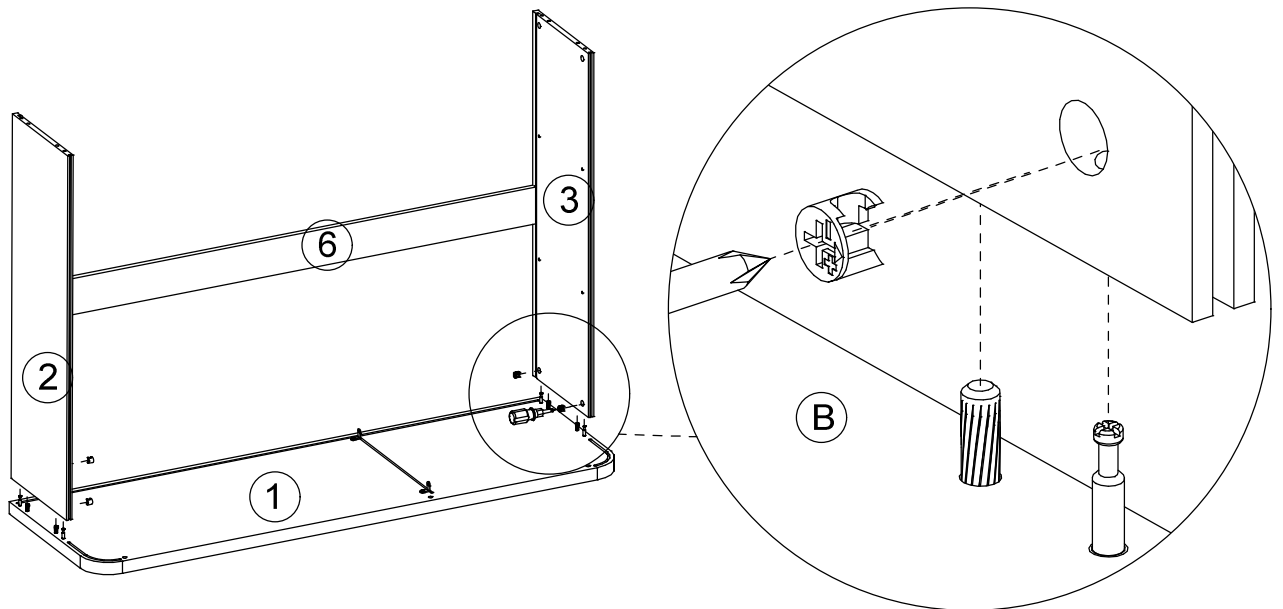
# Step 6

(B)  x2

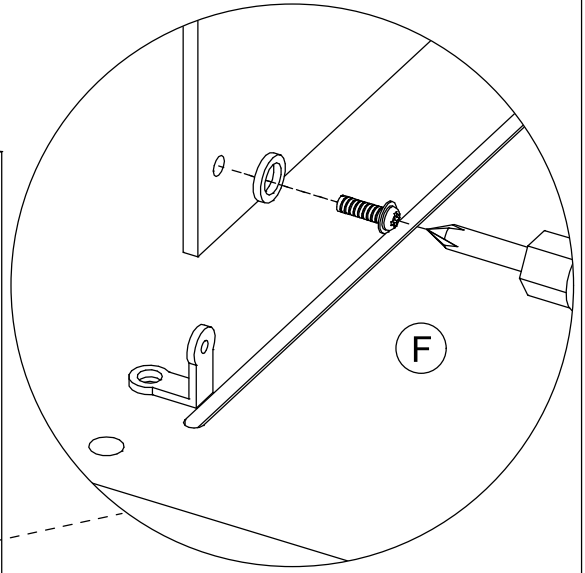
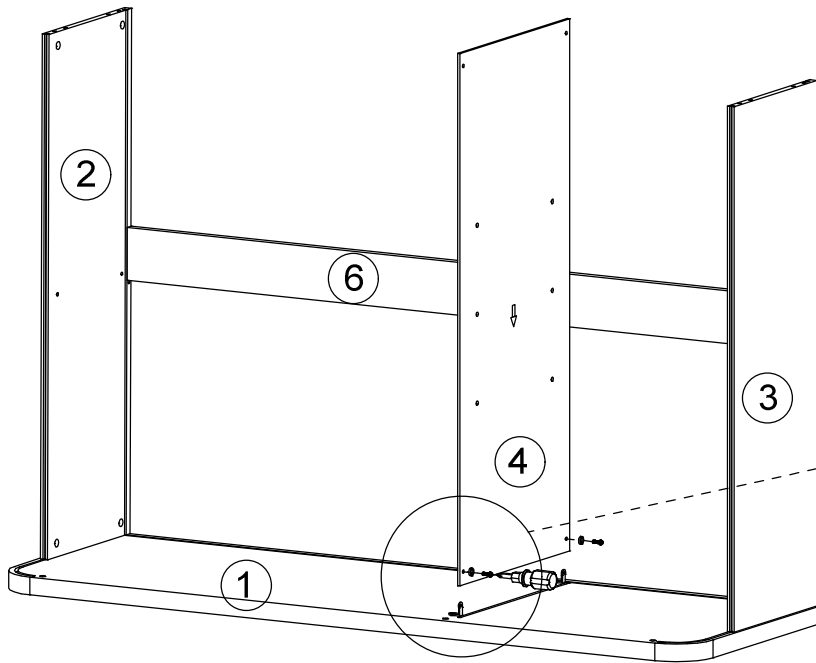
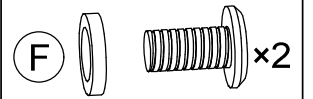


# Step 7

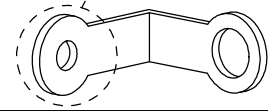
(B)  x4



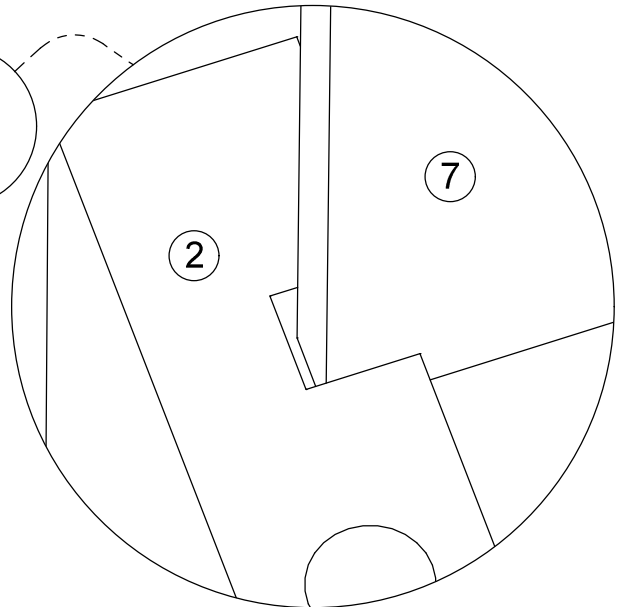
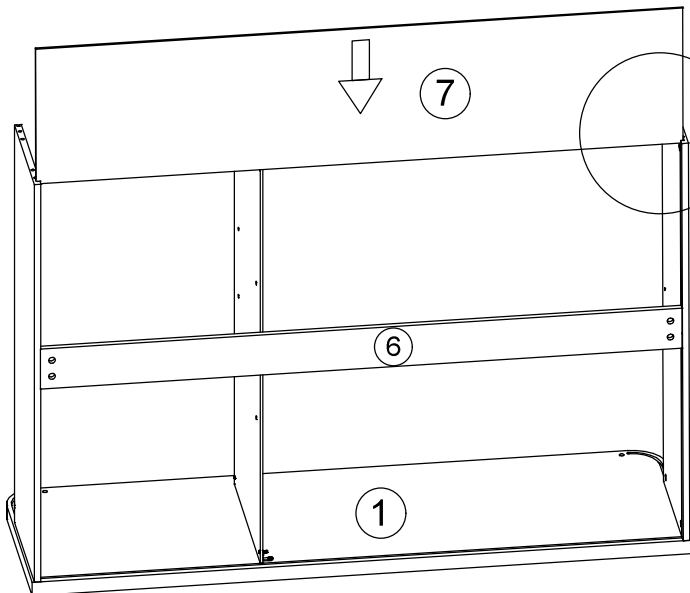
# Step 8



Install this hole



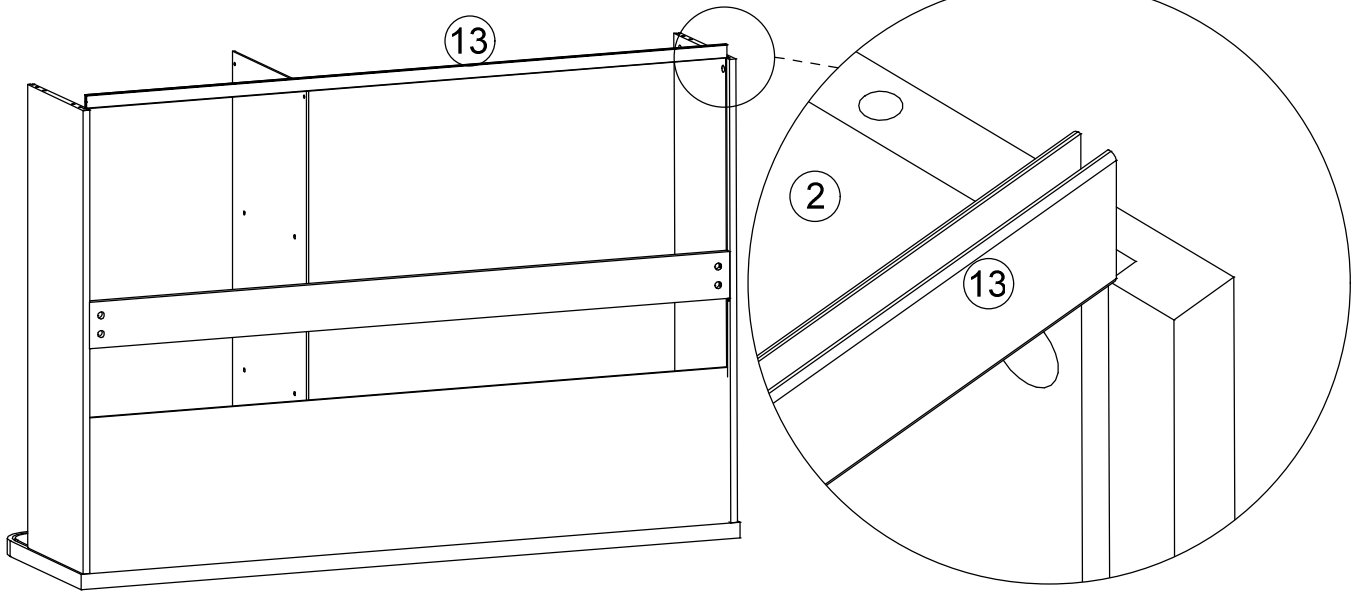
# Step 9



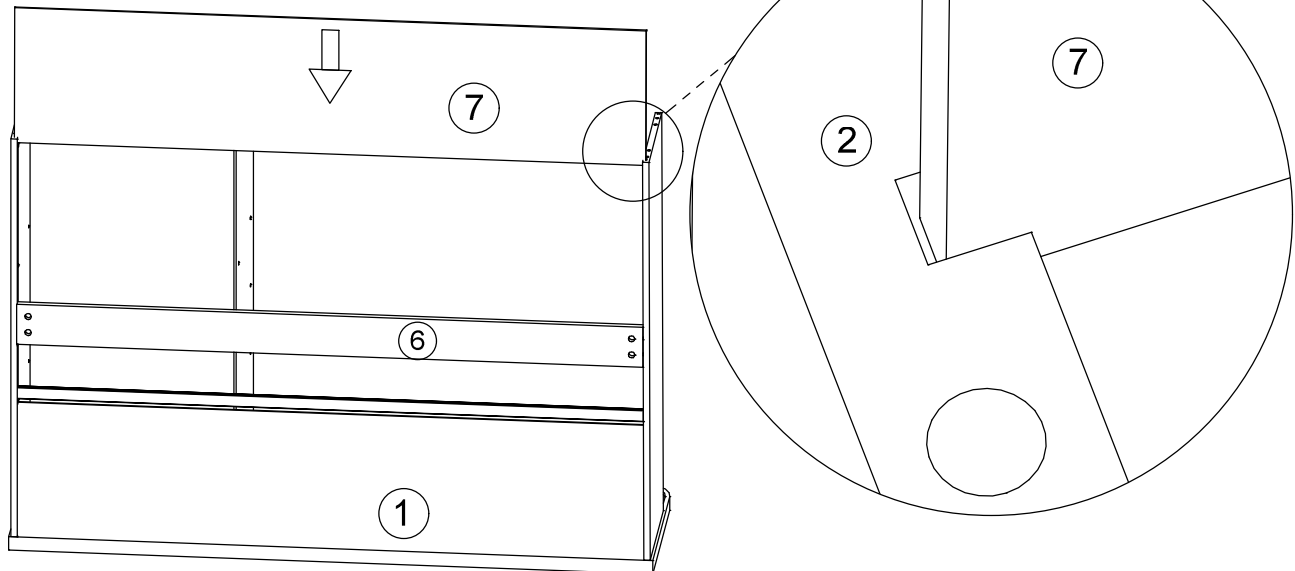
Step 10

13

x1



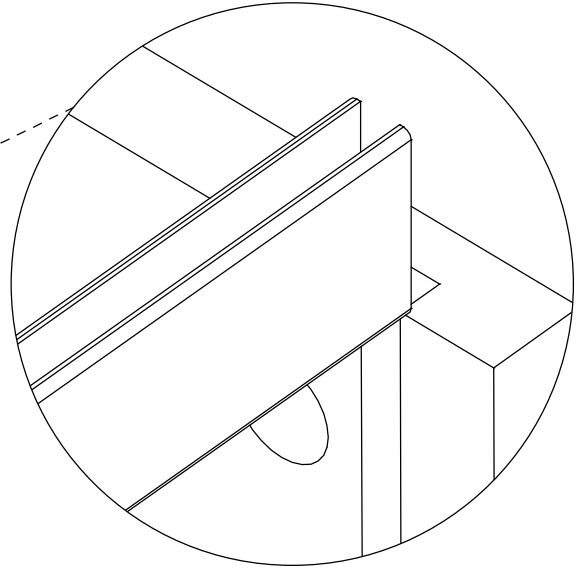
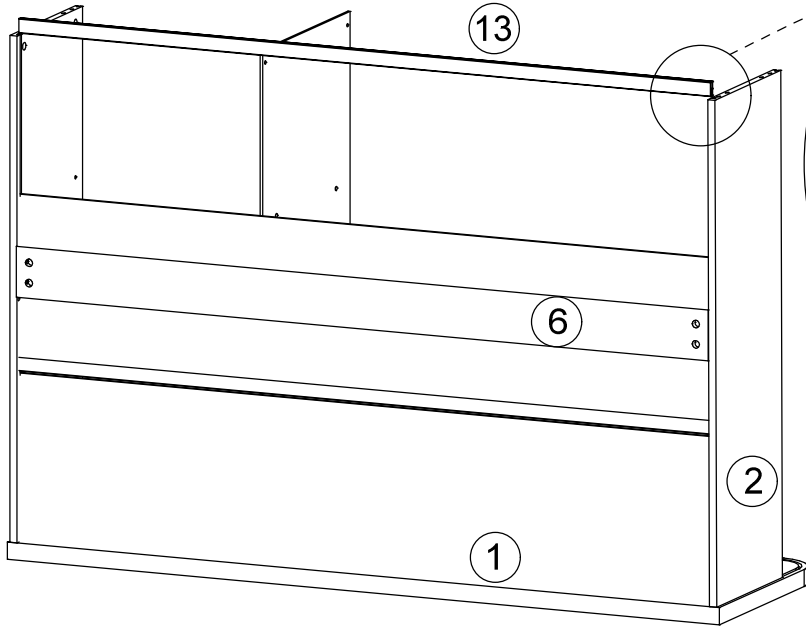
Step 11



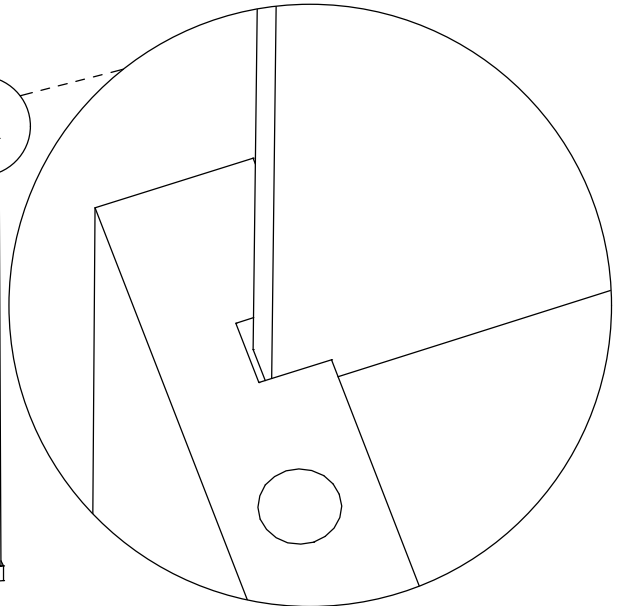
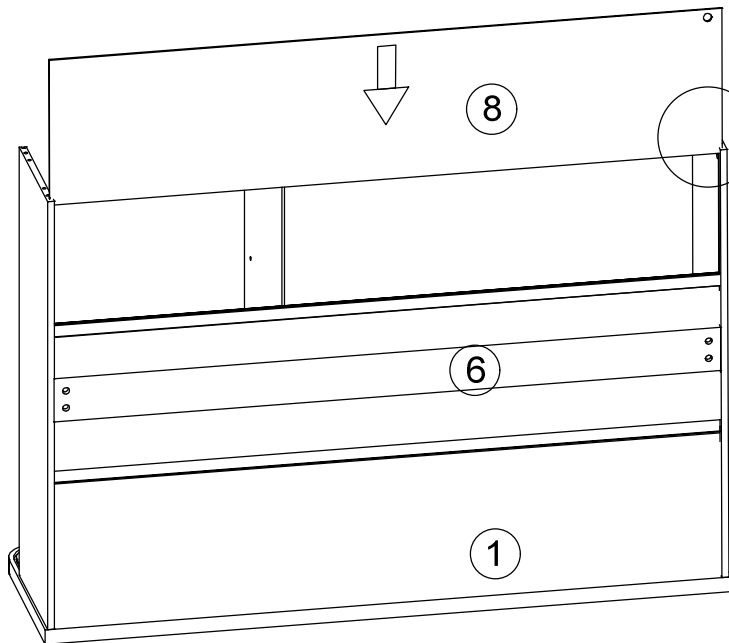
Step 12

13

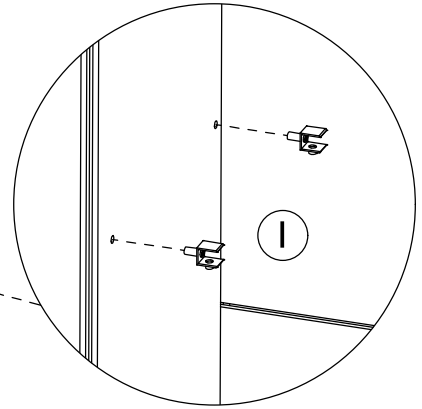
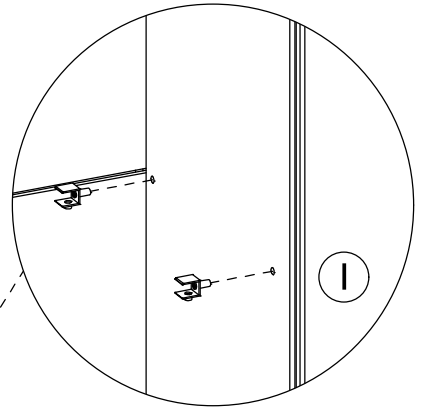
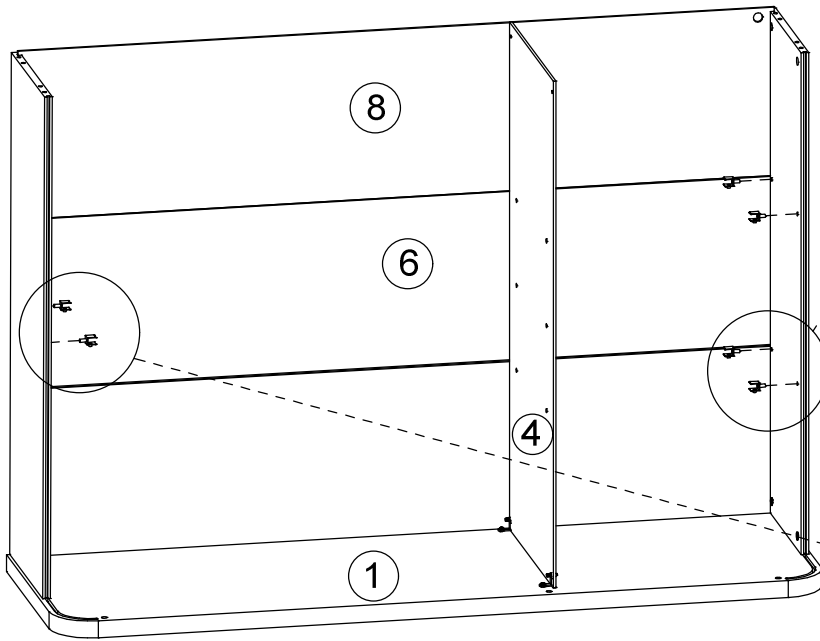
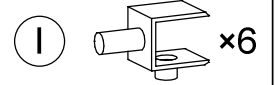
×1



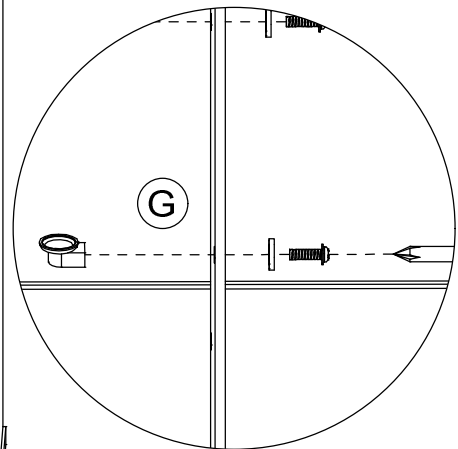
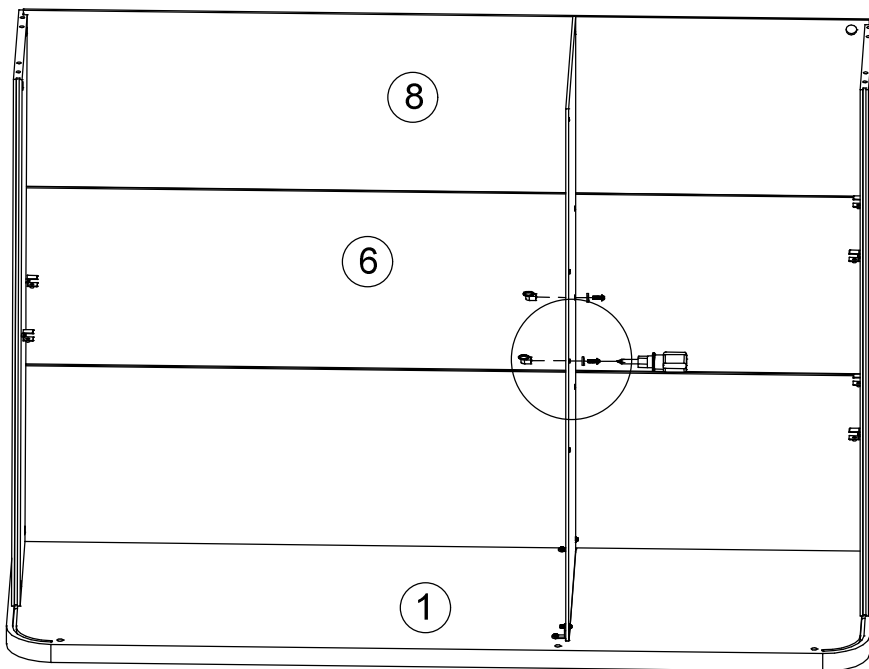
Step 13



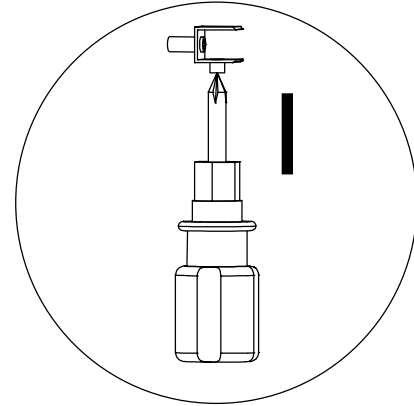
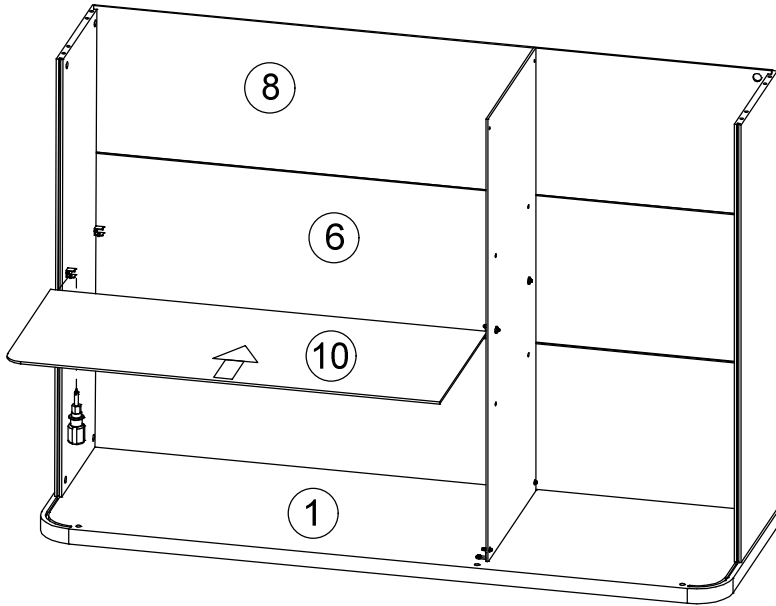
# Step 14



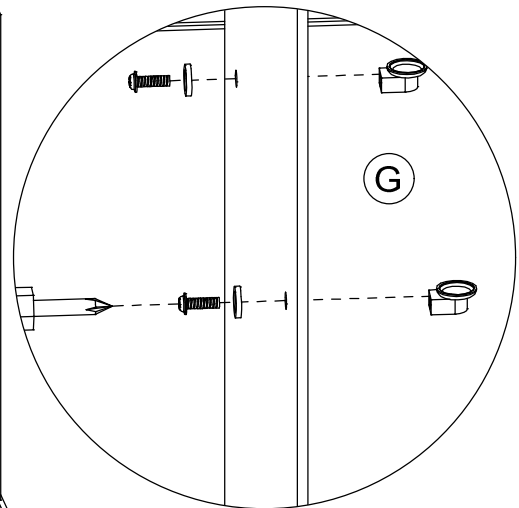
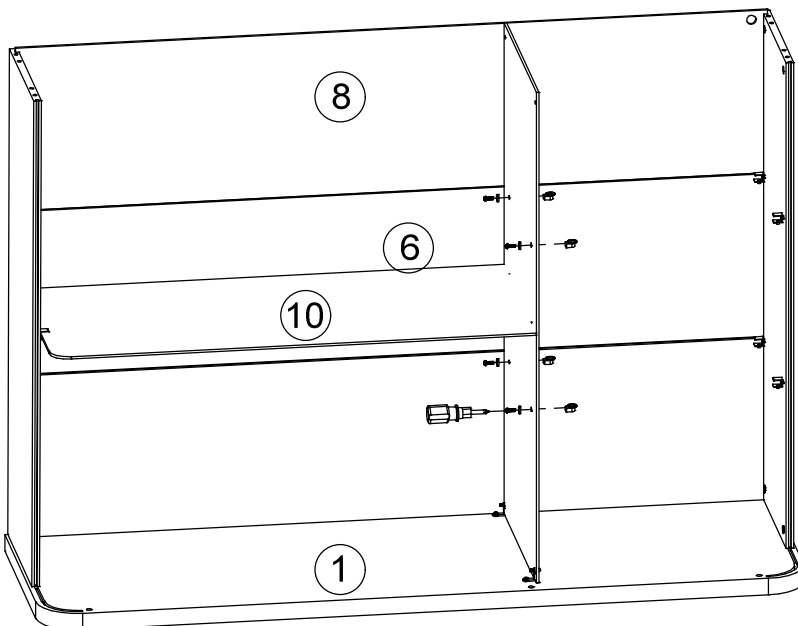
# Step 15



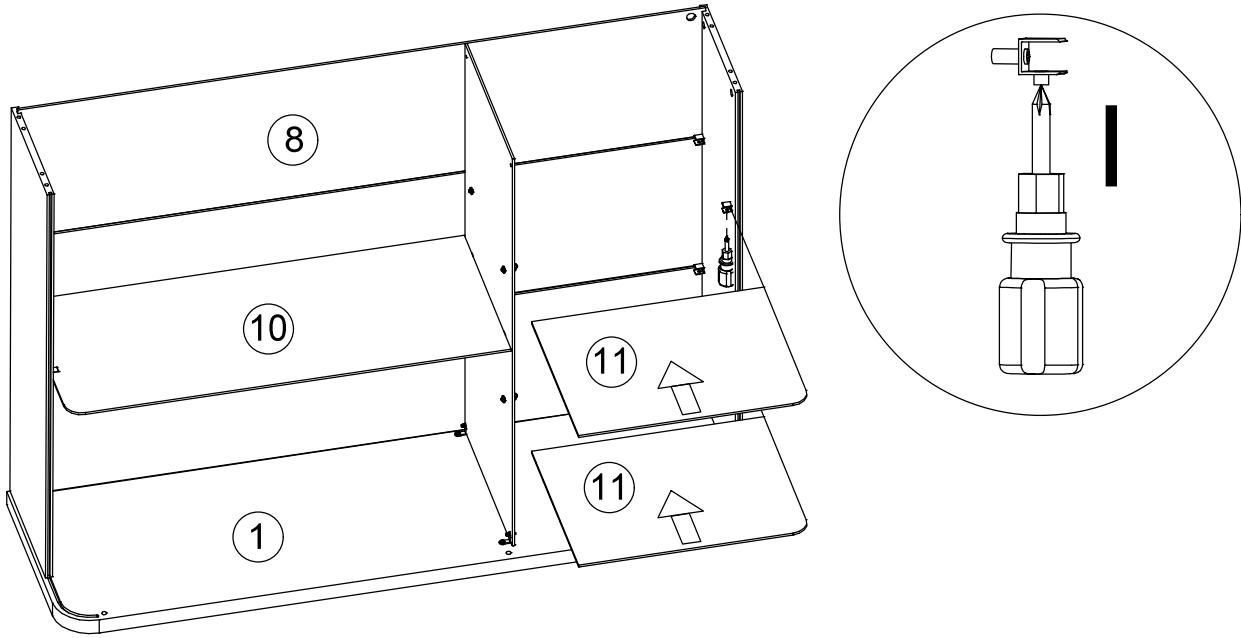
# Step 16



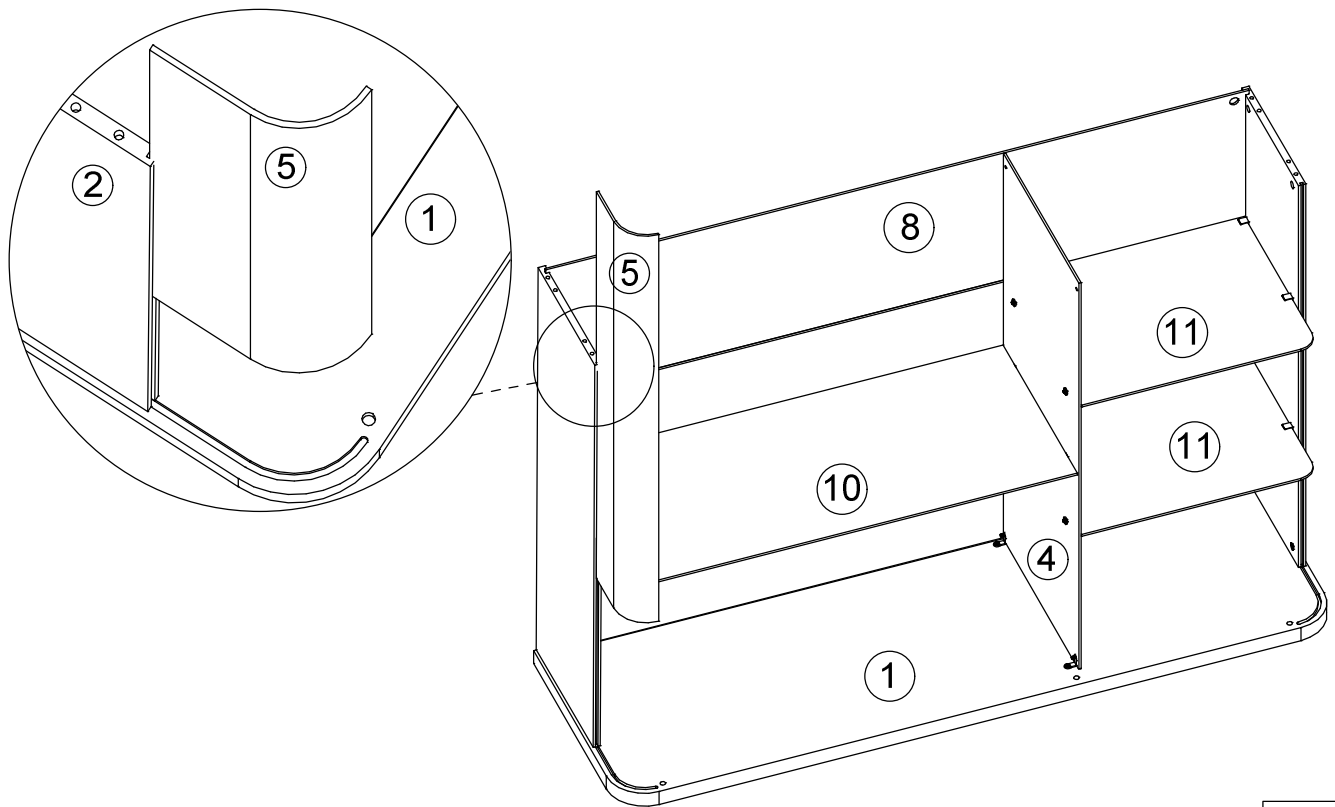
# Step 17



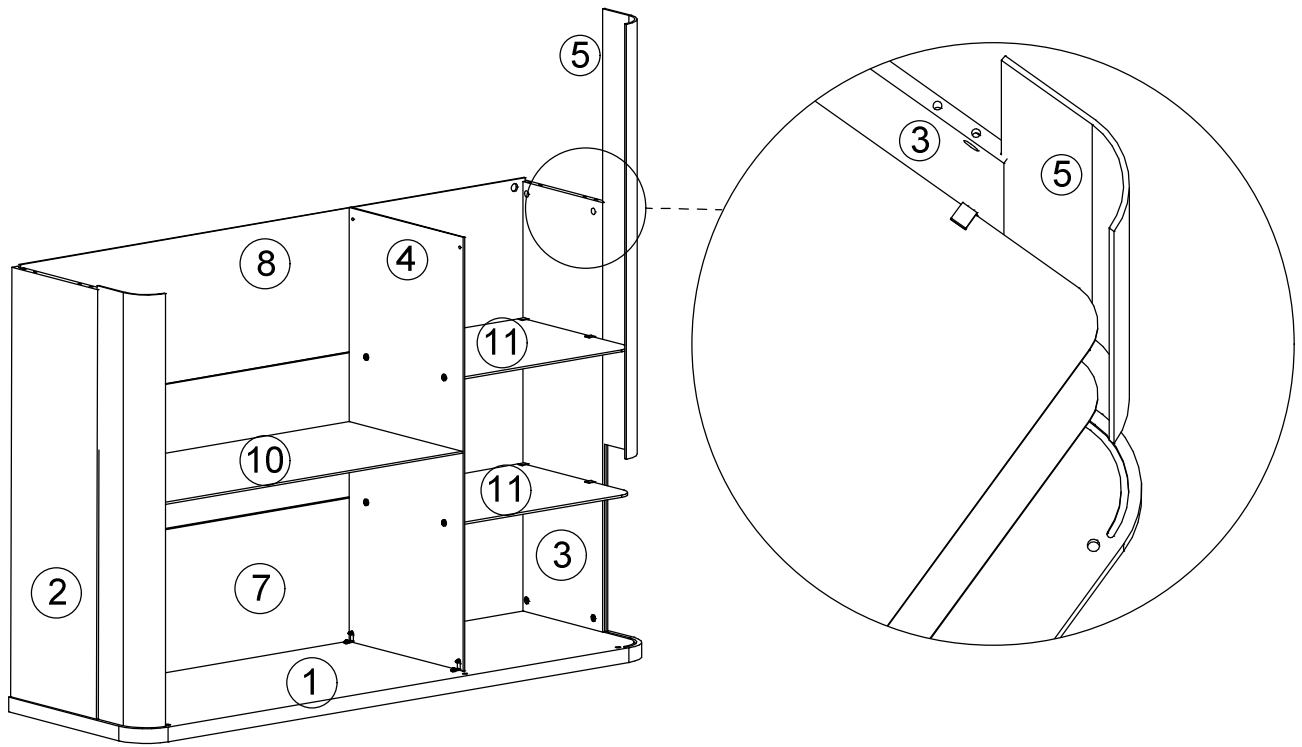
# Step 18



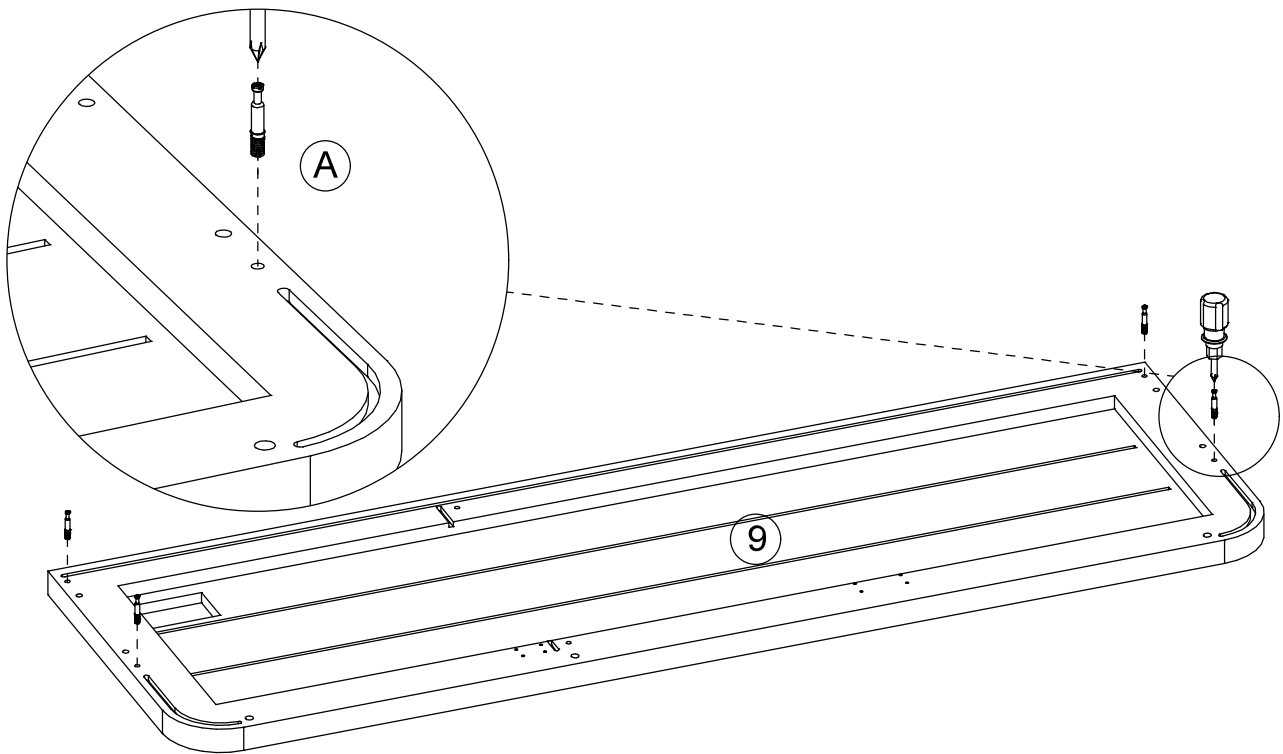
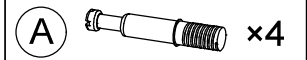
# Step 19



# Step 20

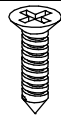


# Step 21

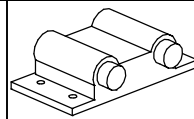


# Step 22

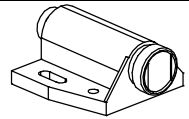
D



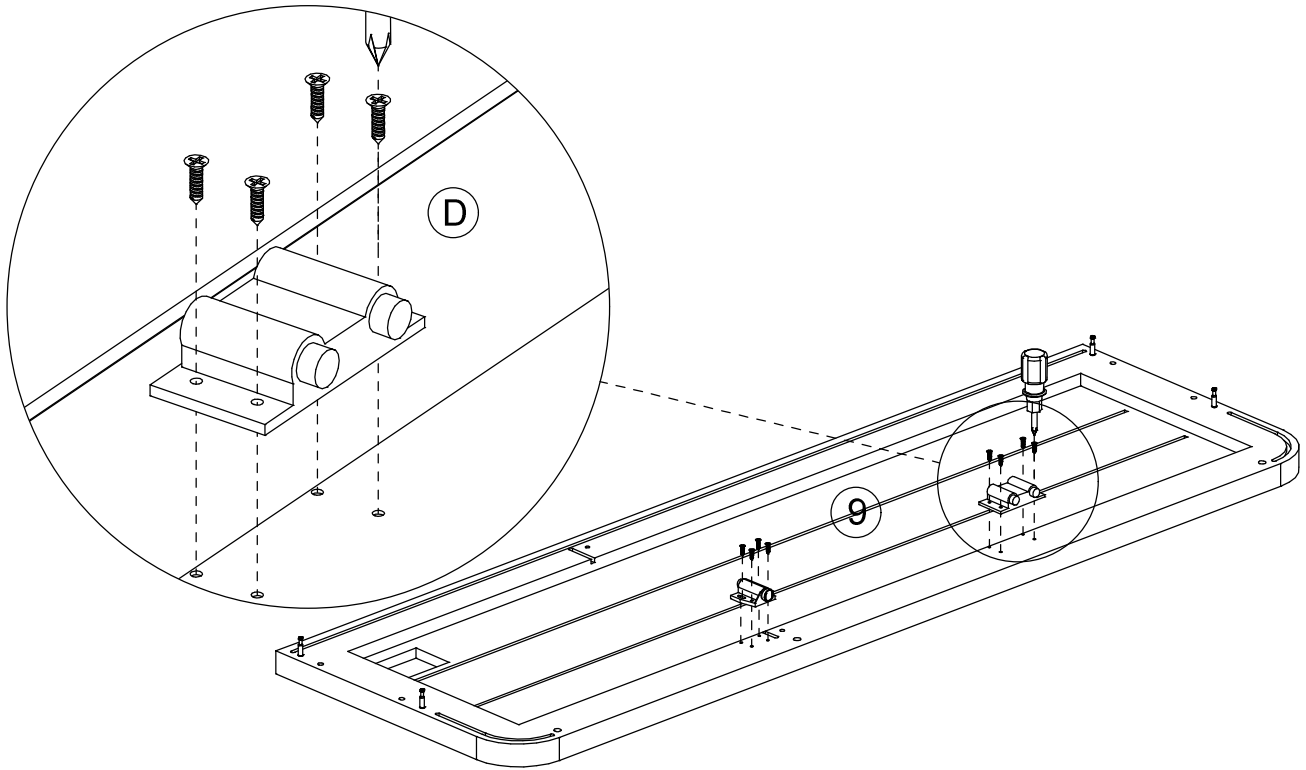
x8



x1



x1

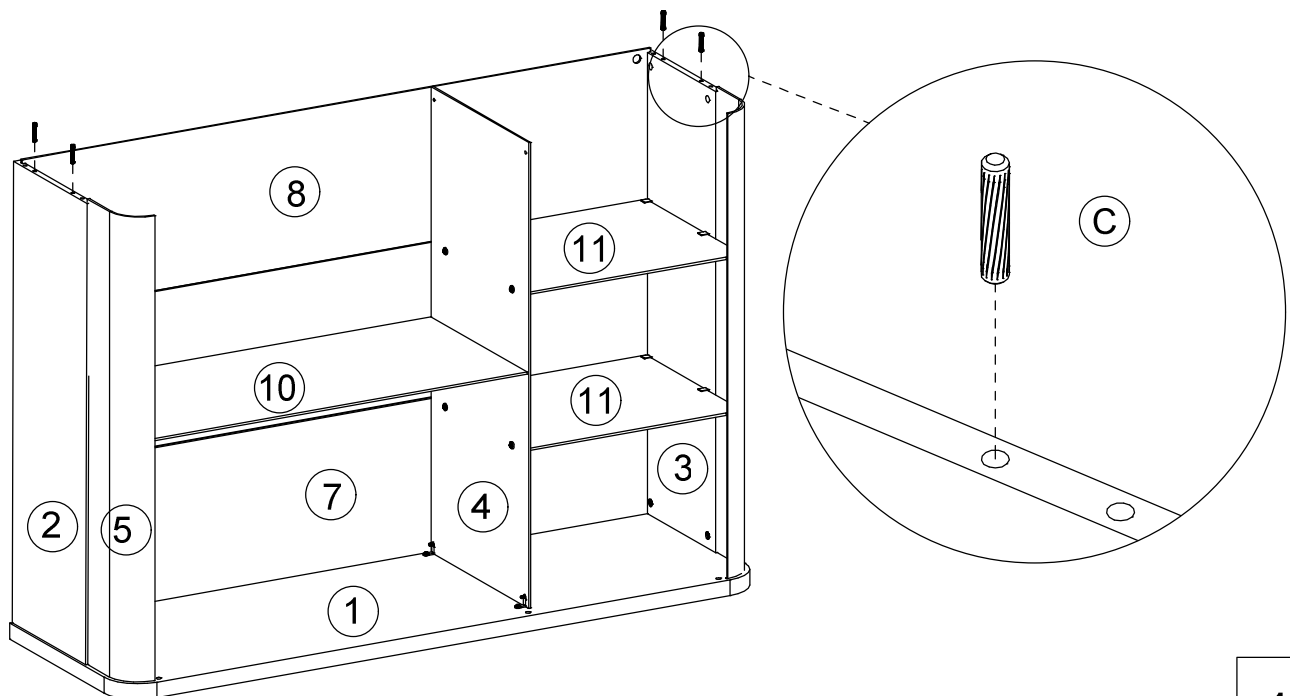


# Step 23

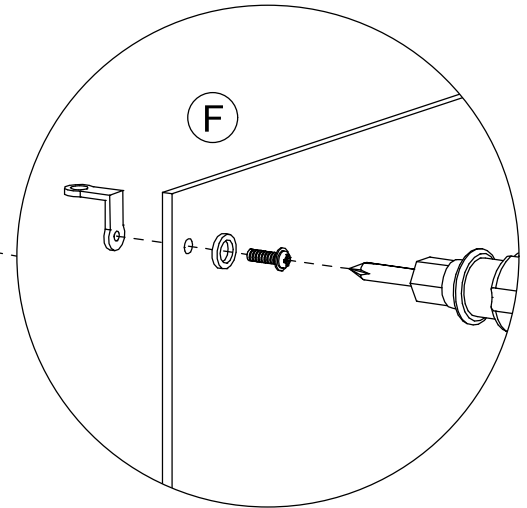
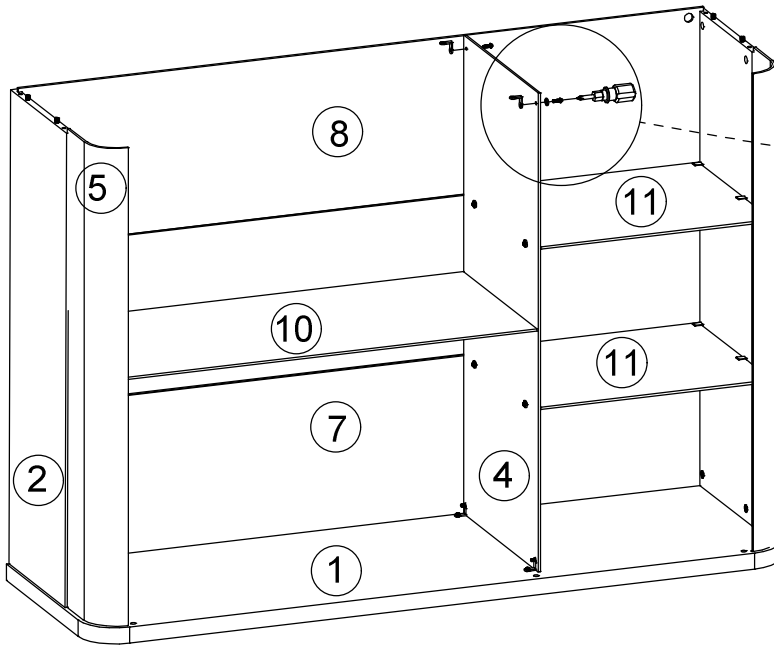
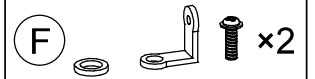
C



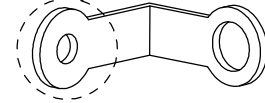
x4



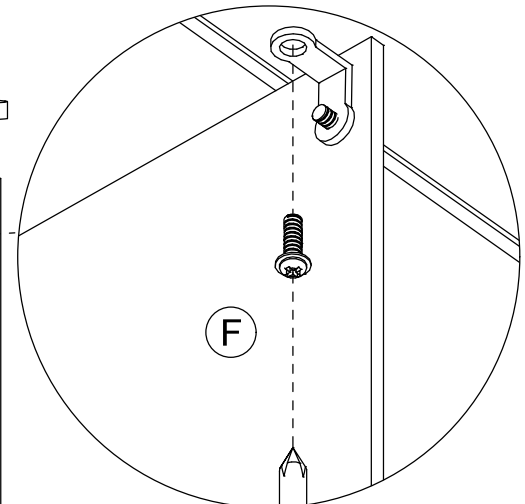
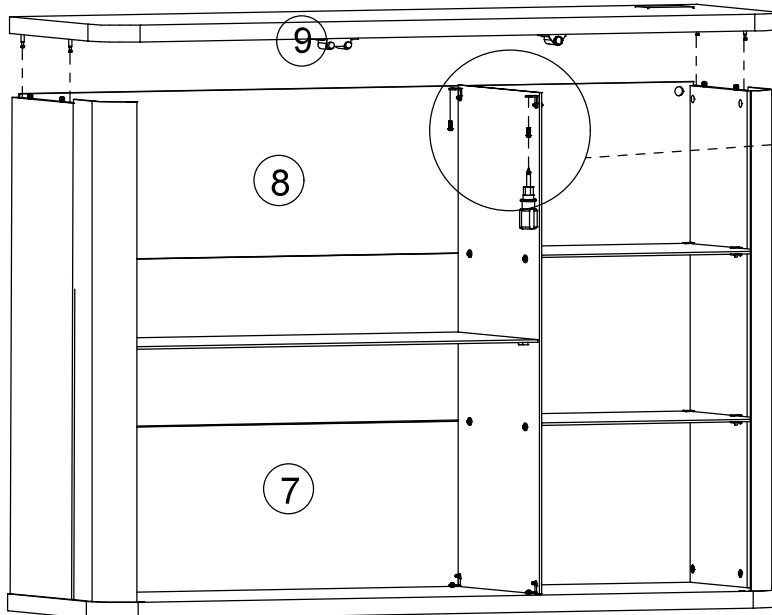
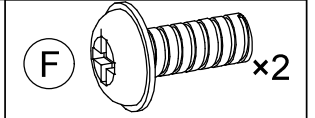
# Step 24



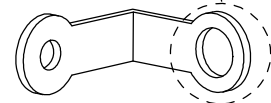
Install this hole



# Step 25

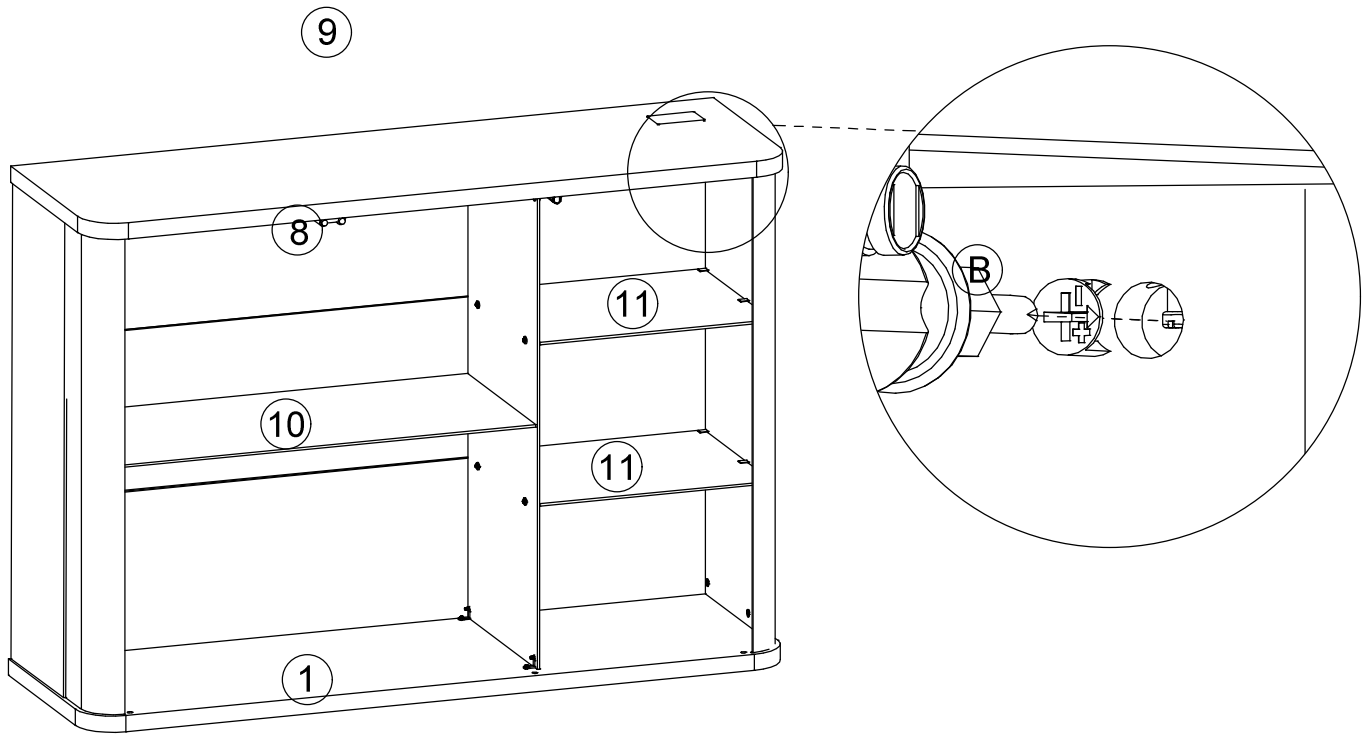


Install this hole



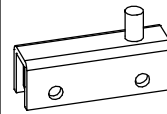
Step 26

(B)  x4

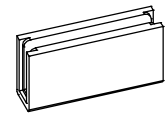


Step 27

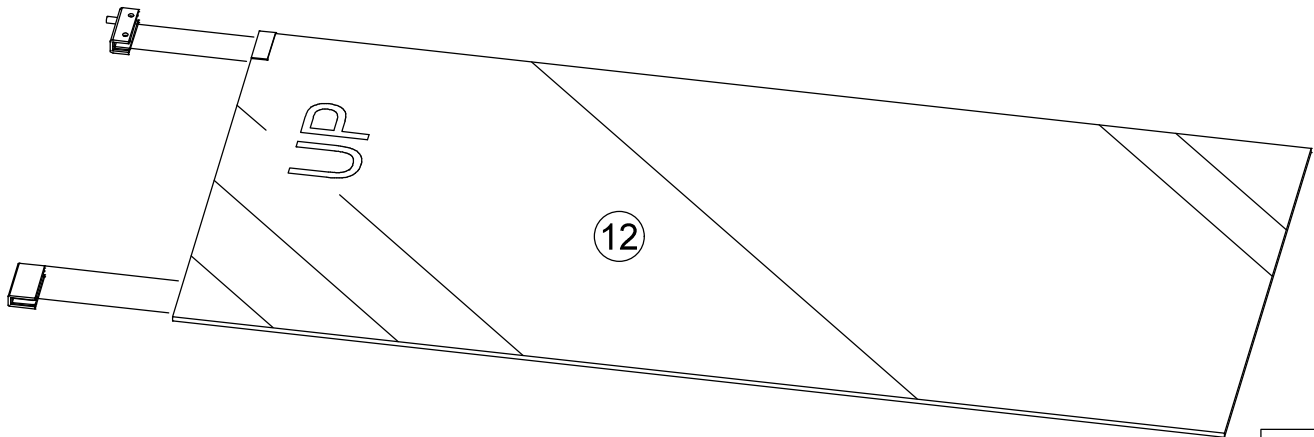
(D)



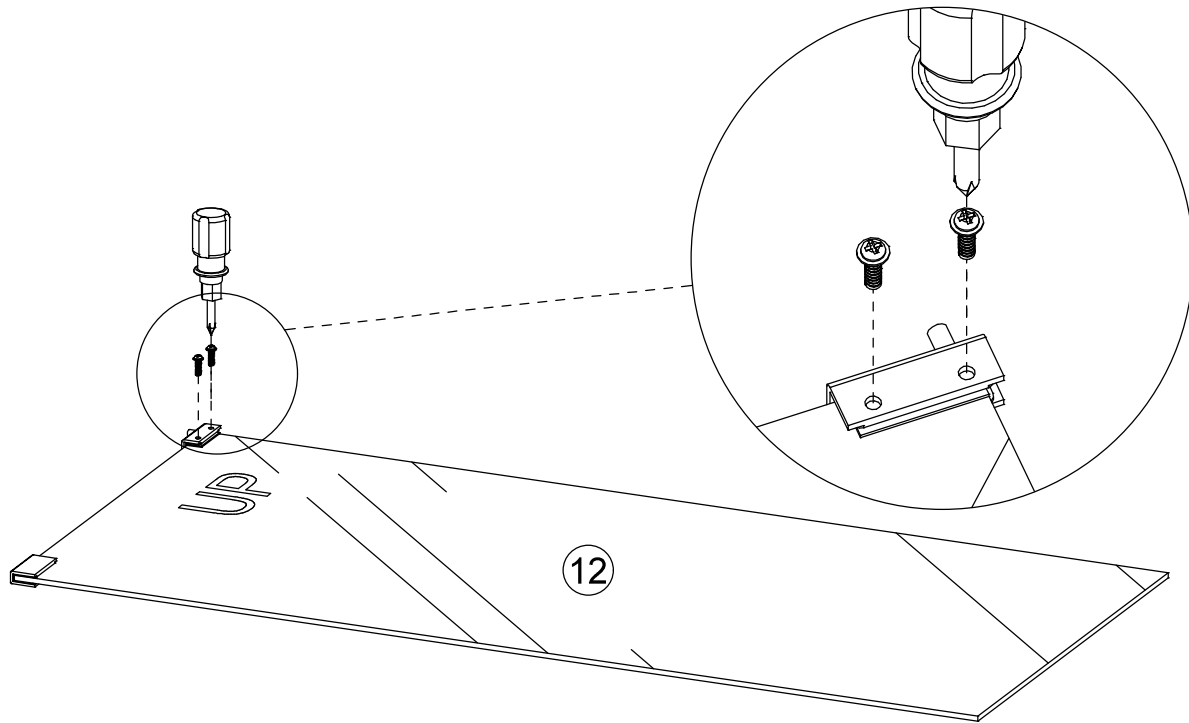
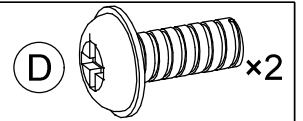
x1



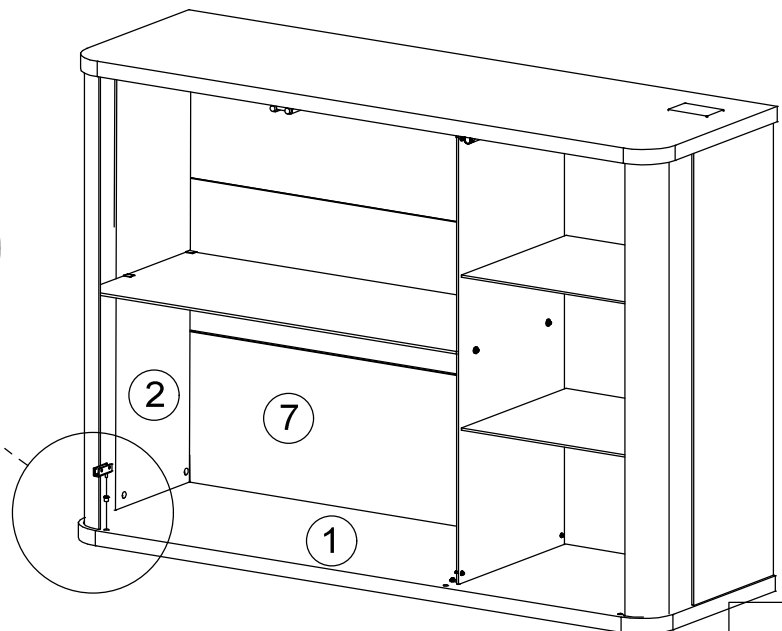
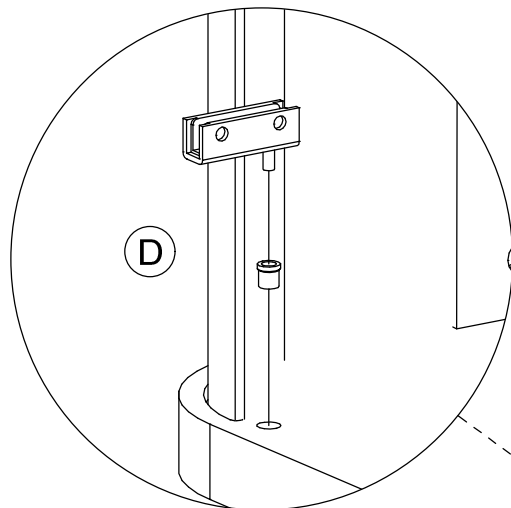
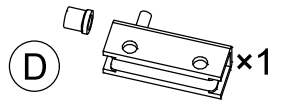
x1



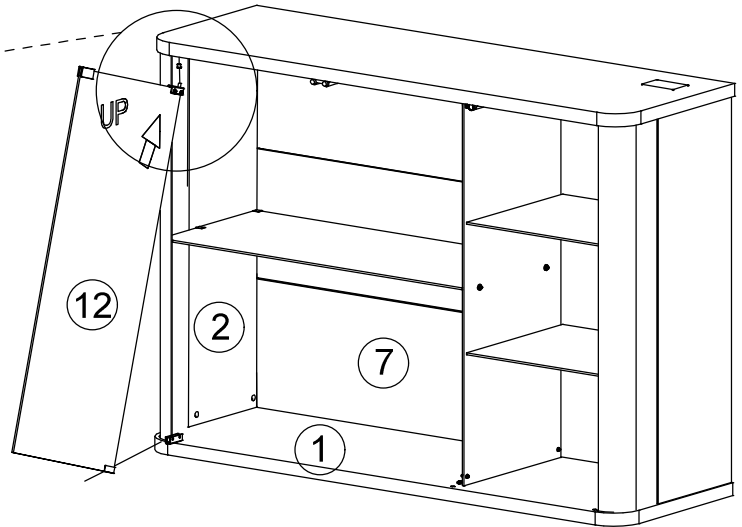
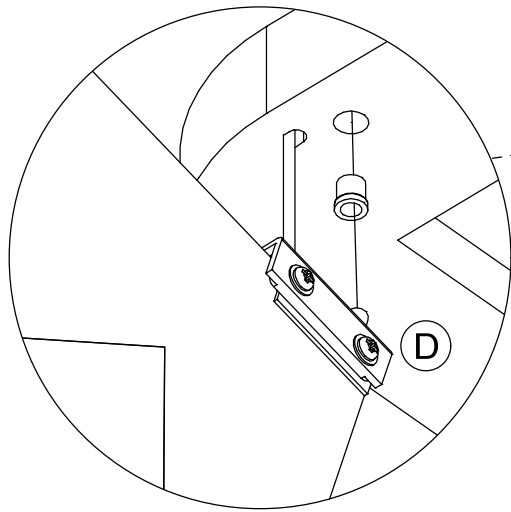
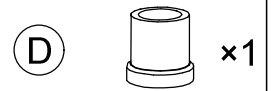
# Step 28



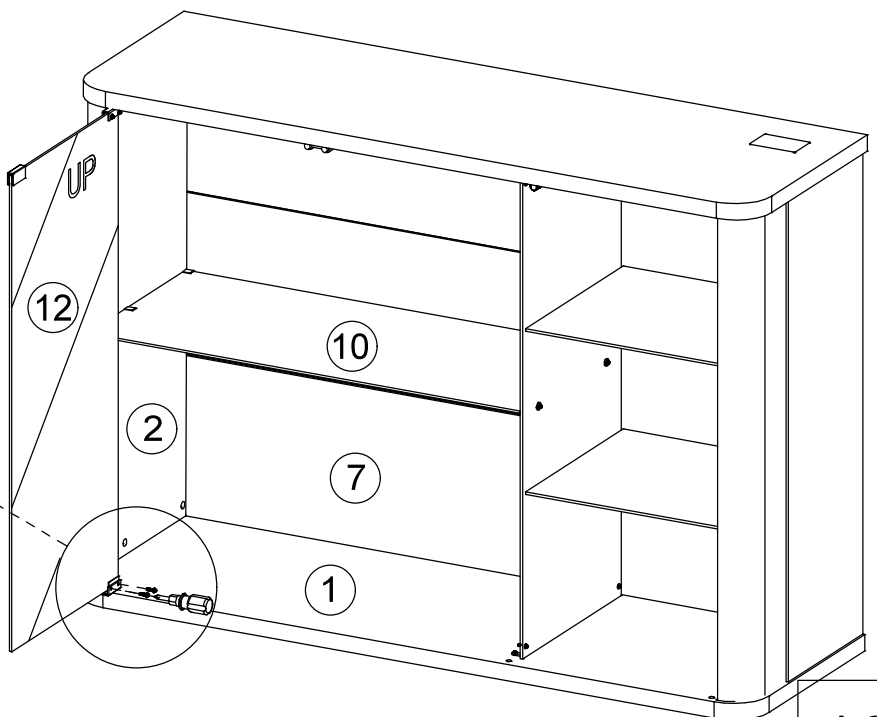
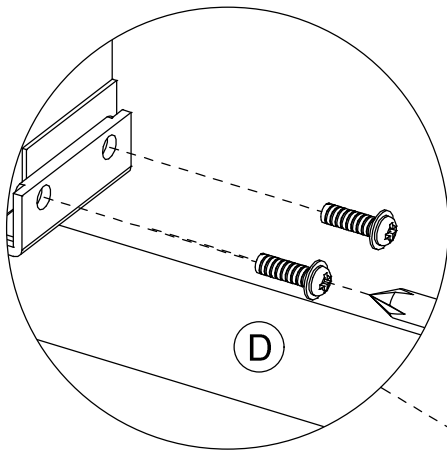
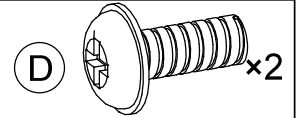
# Step 29



# Step 30

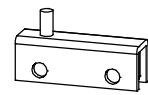


# Step 31

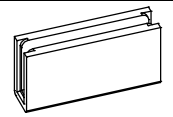


Step 32

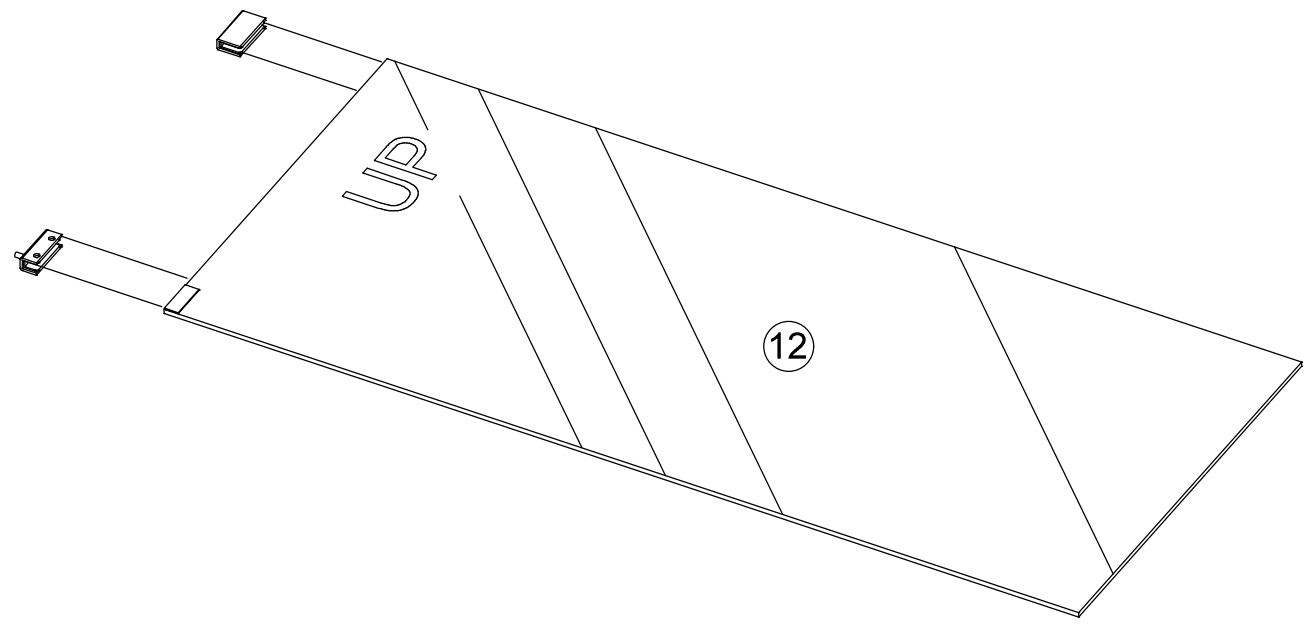
(D)



x1

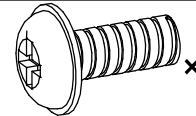


x1

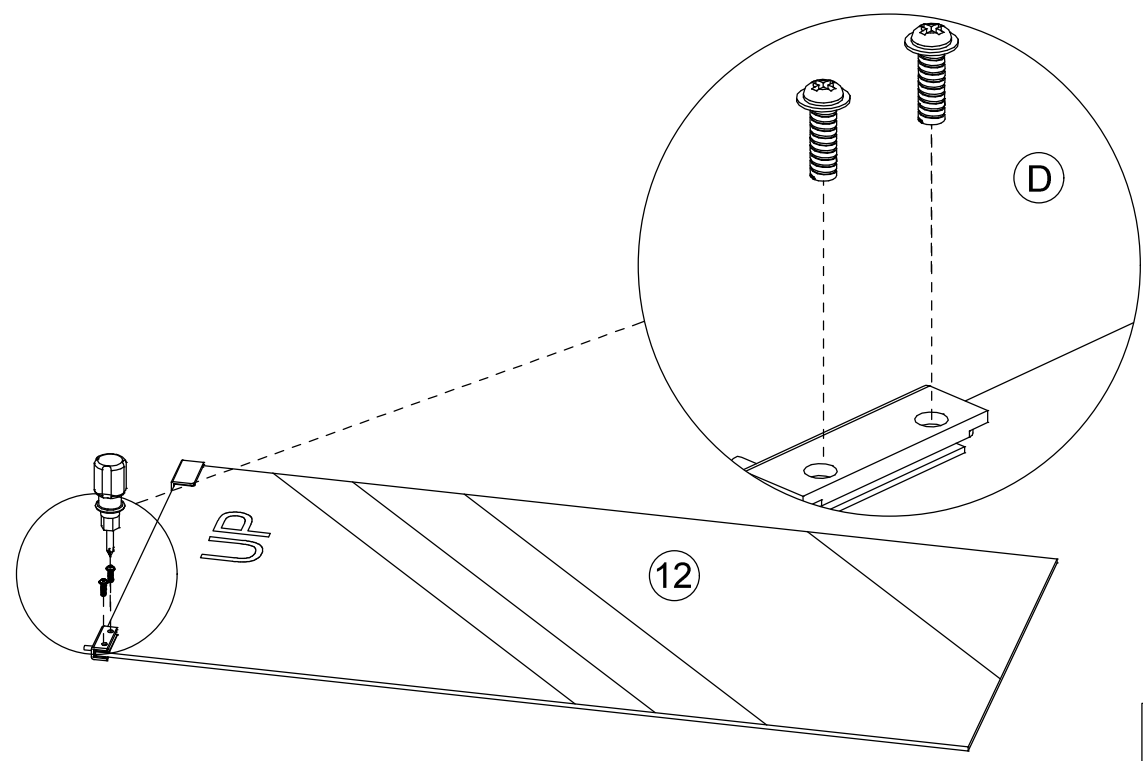


Step 33

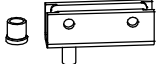
(D)

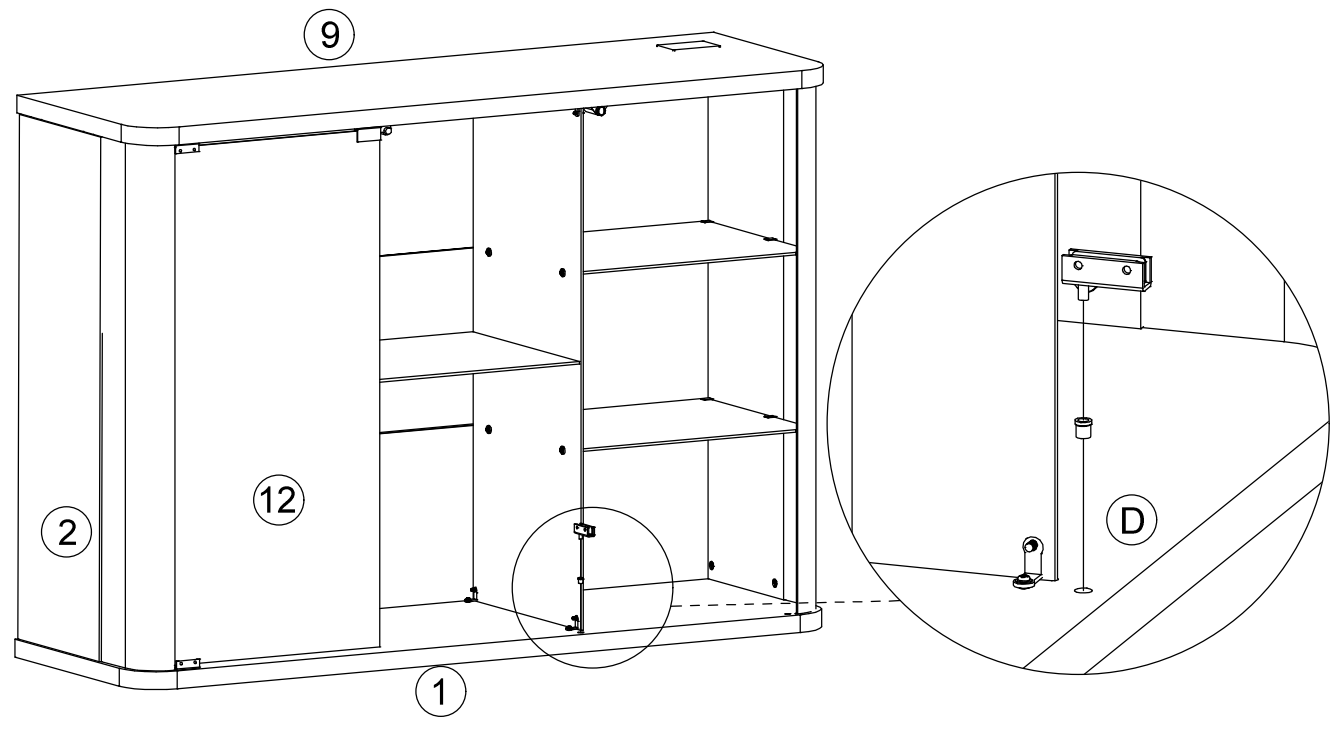


x2

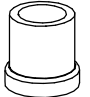


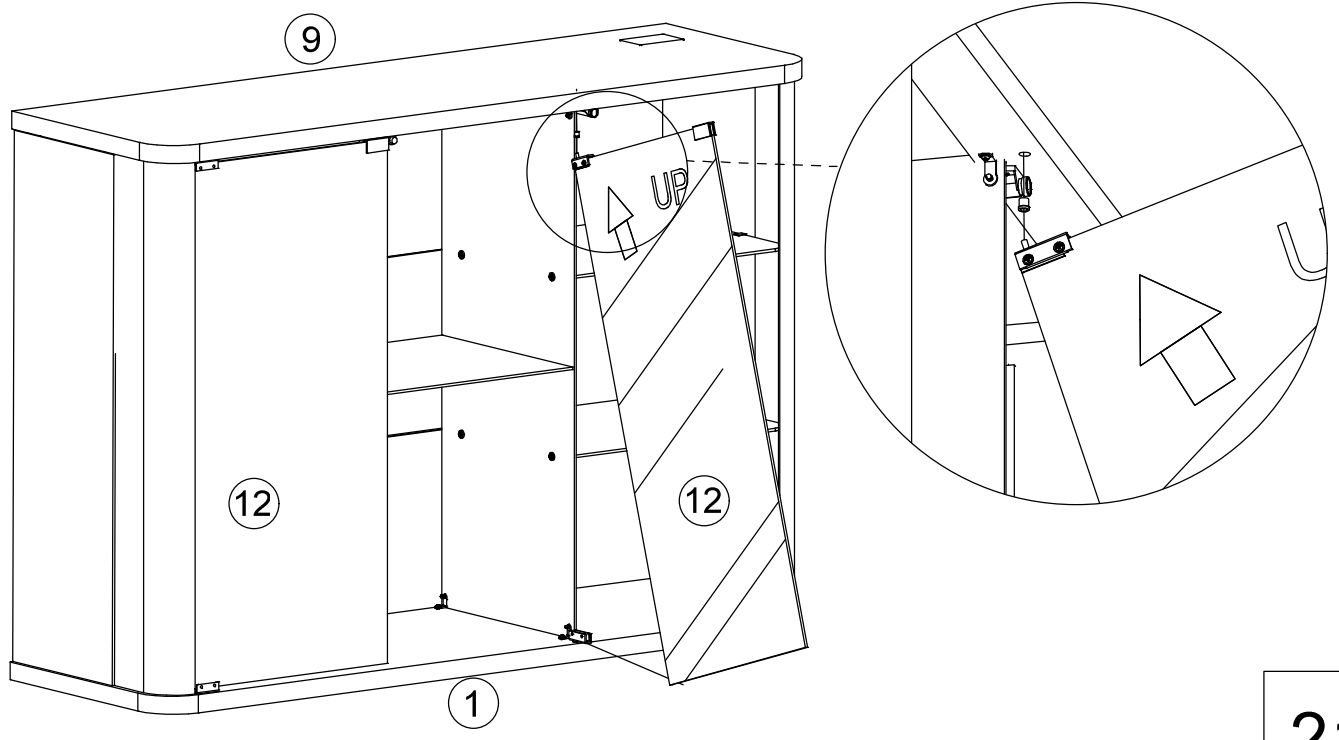
# Step 34

(D)  x1

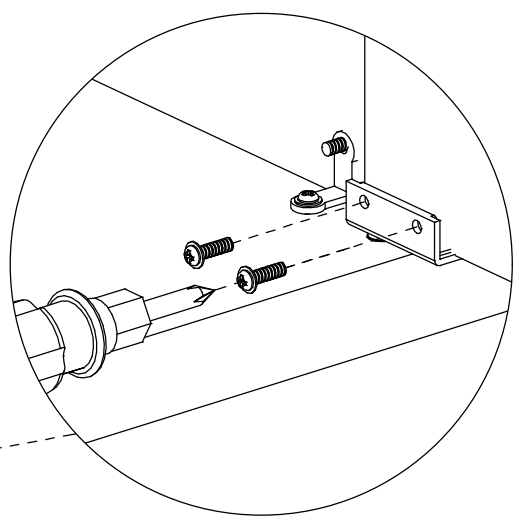
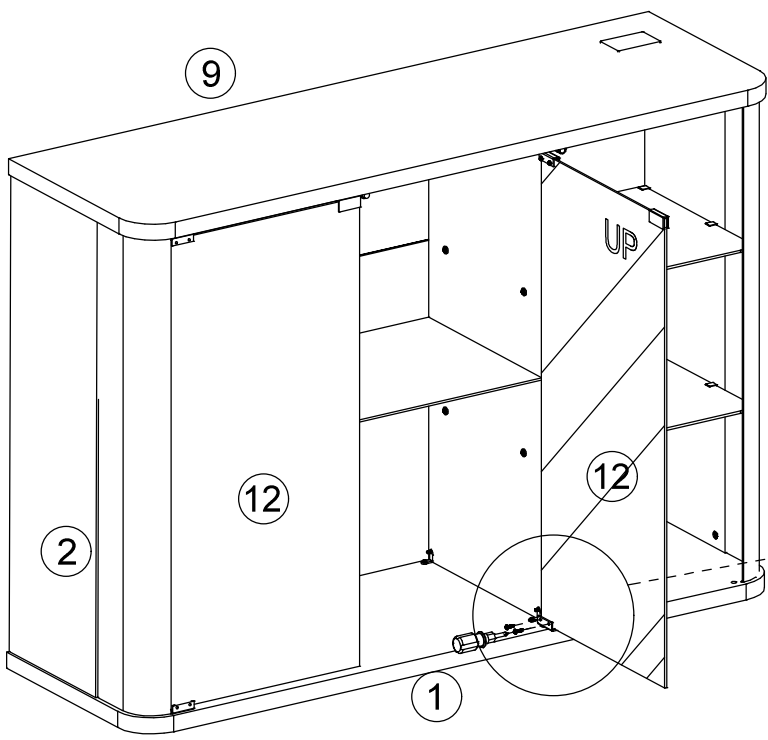
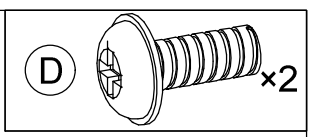


# Step 35

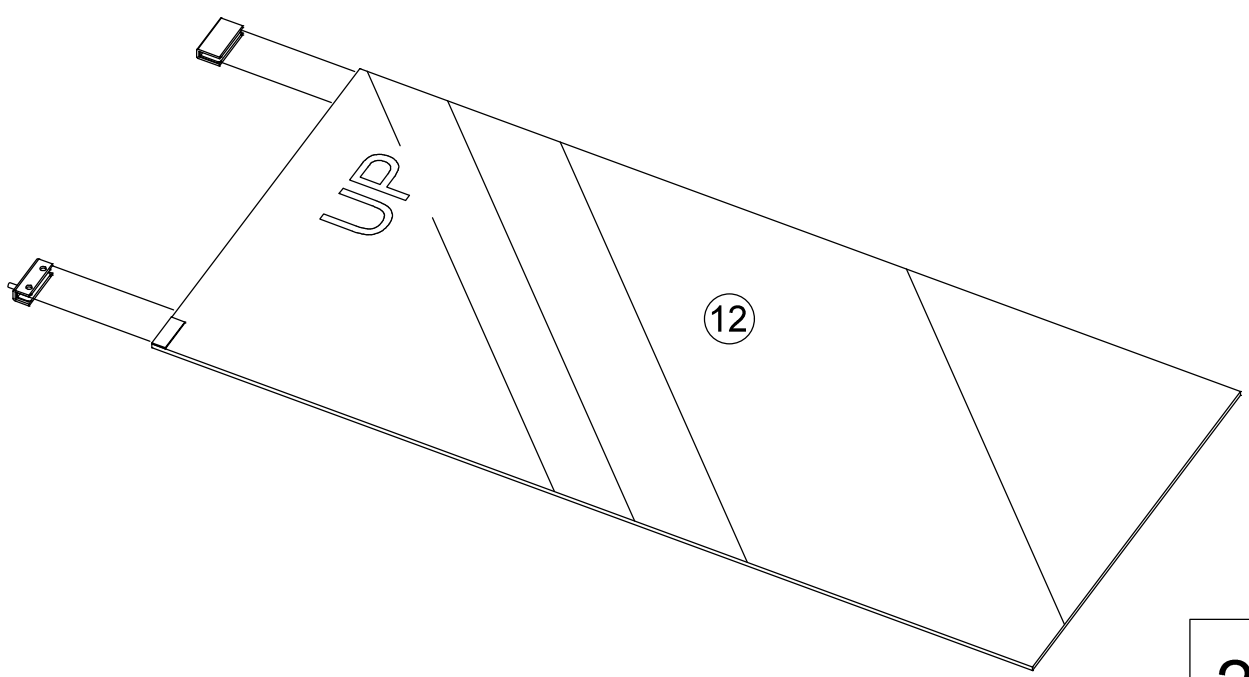
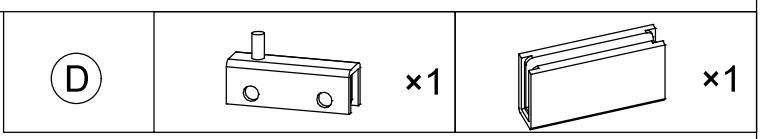
(D)  x1



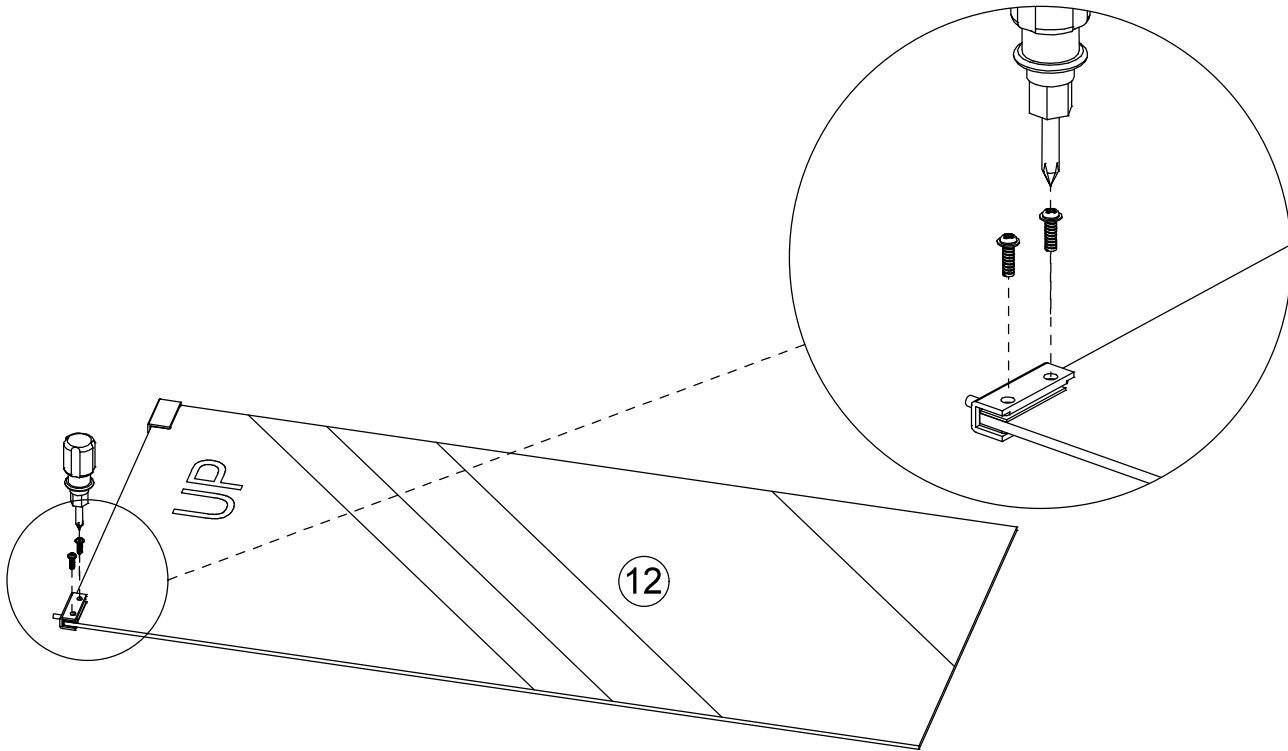
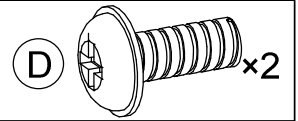
Step 36



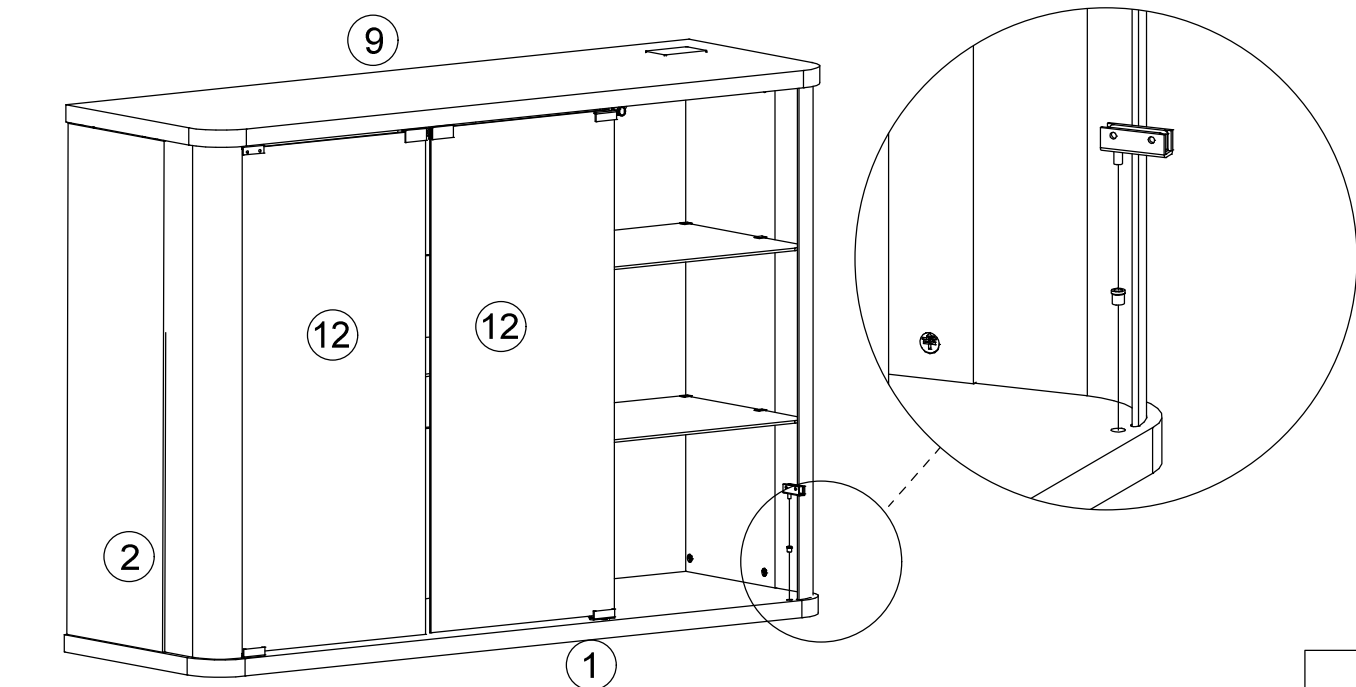
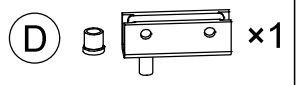
Step 37



# Step 38

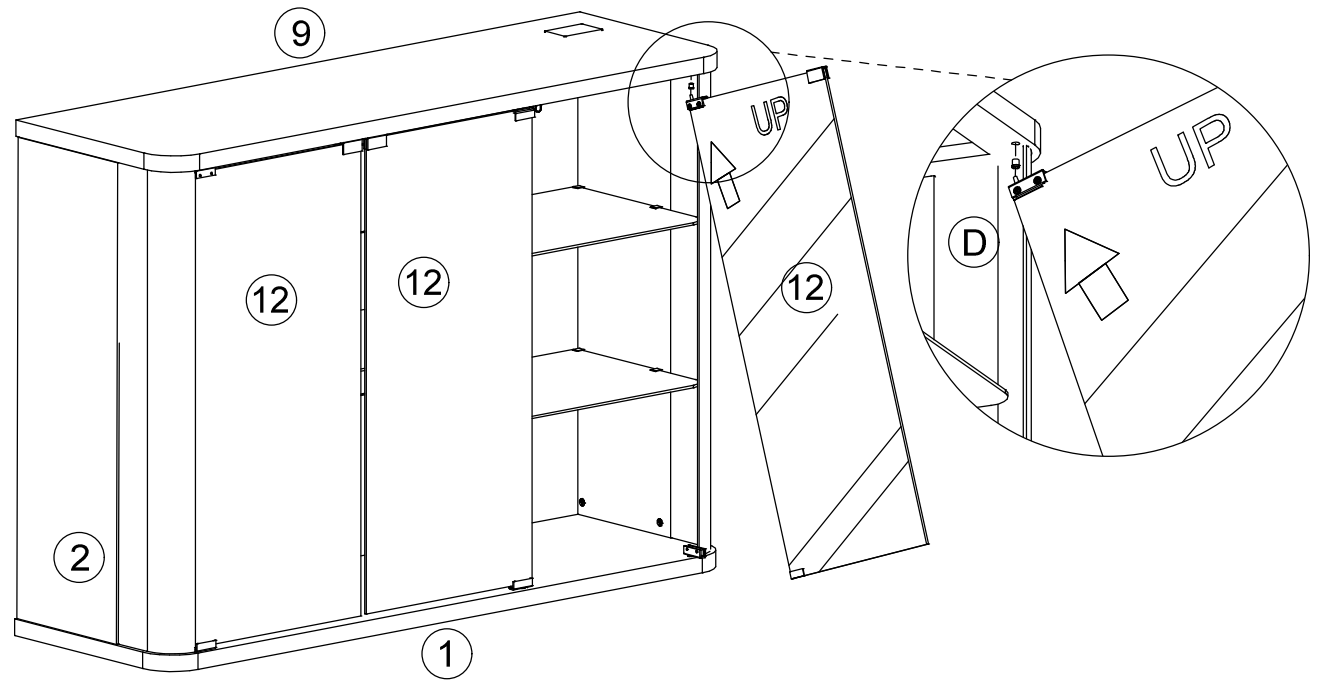


# Step 39

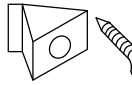


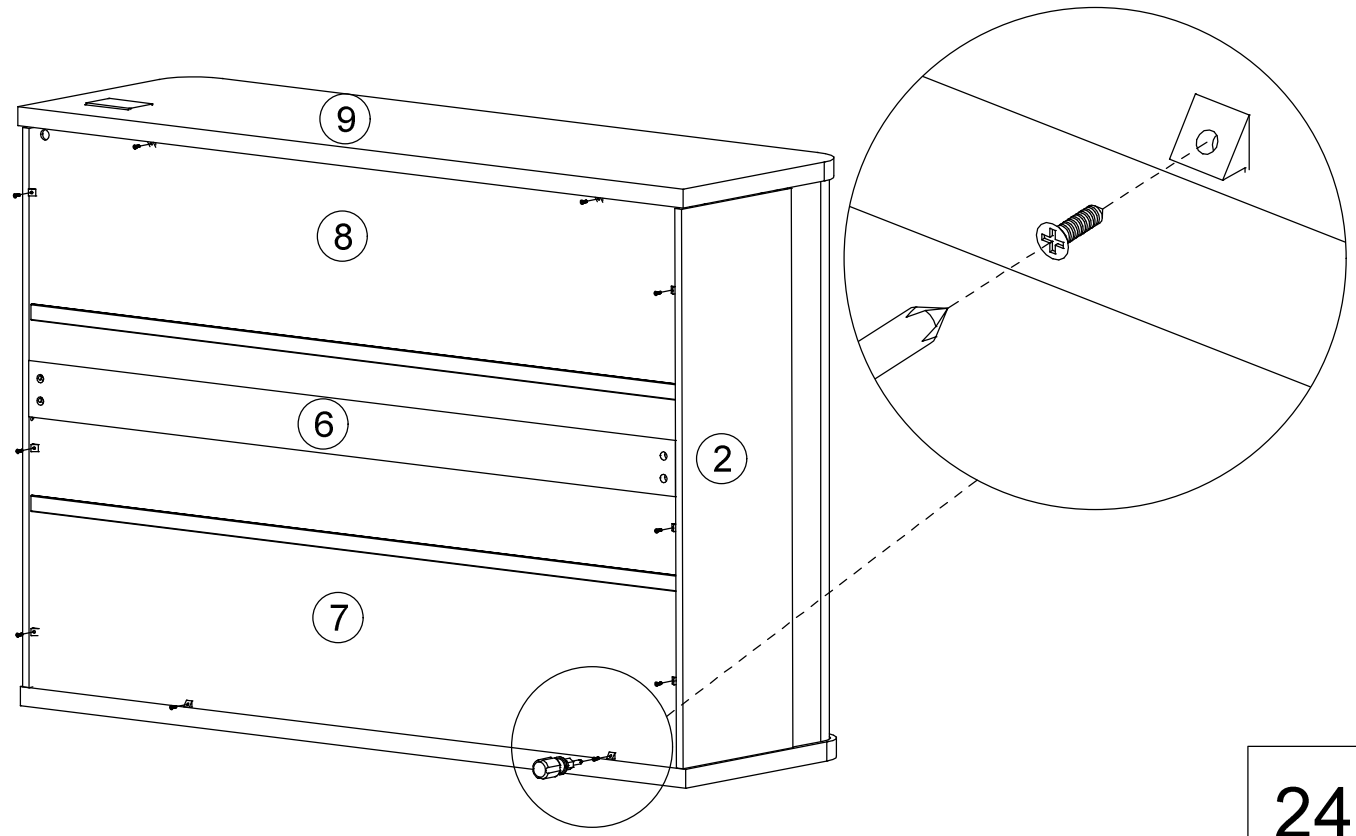
# Step 40

(D)  x1

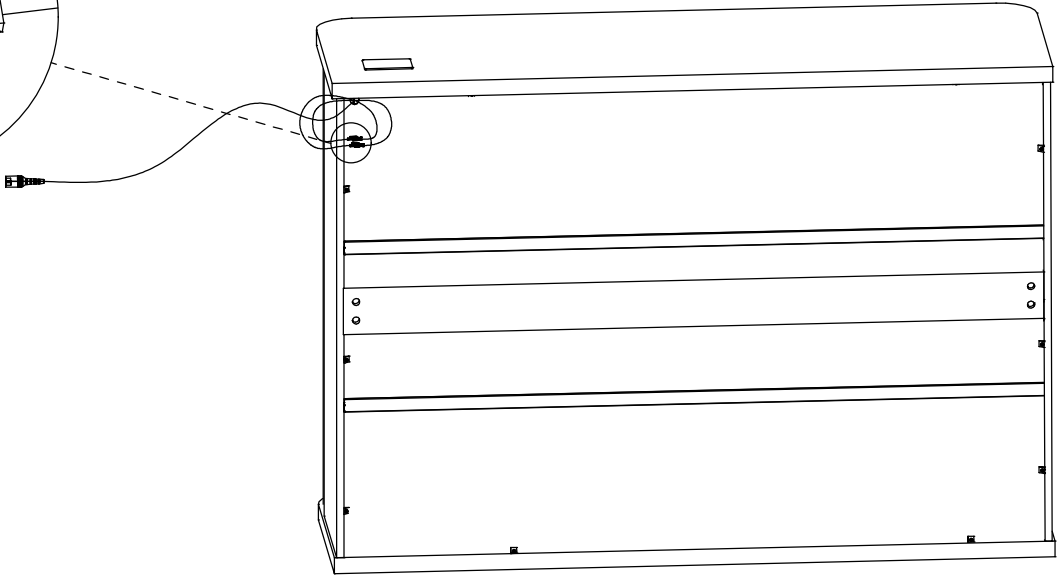
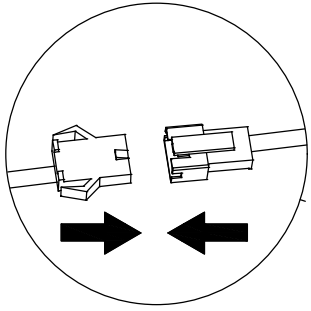


# Step 41

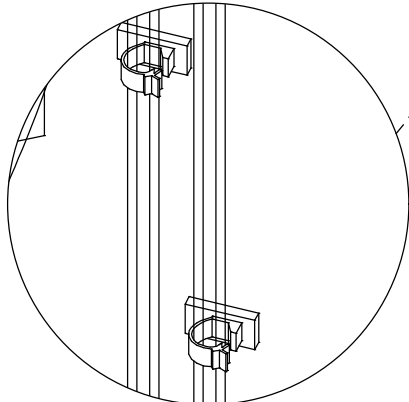
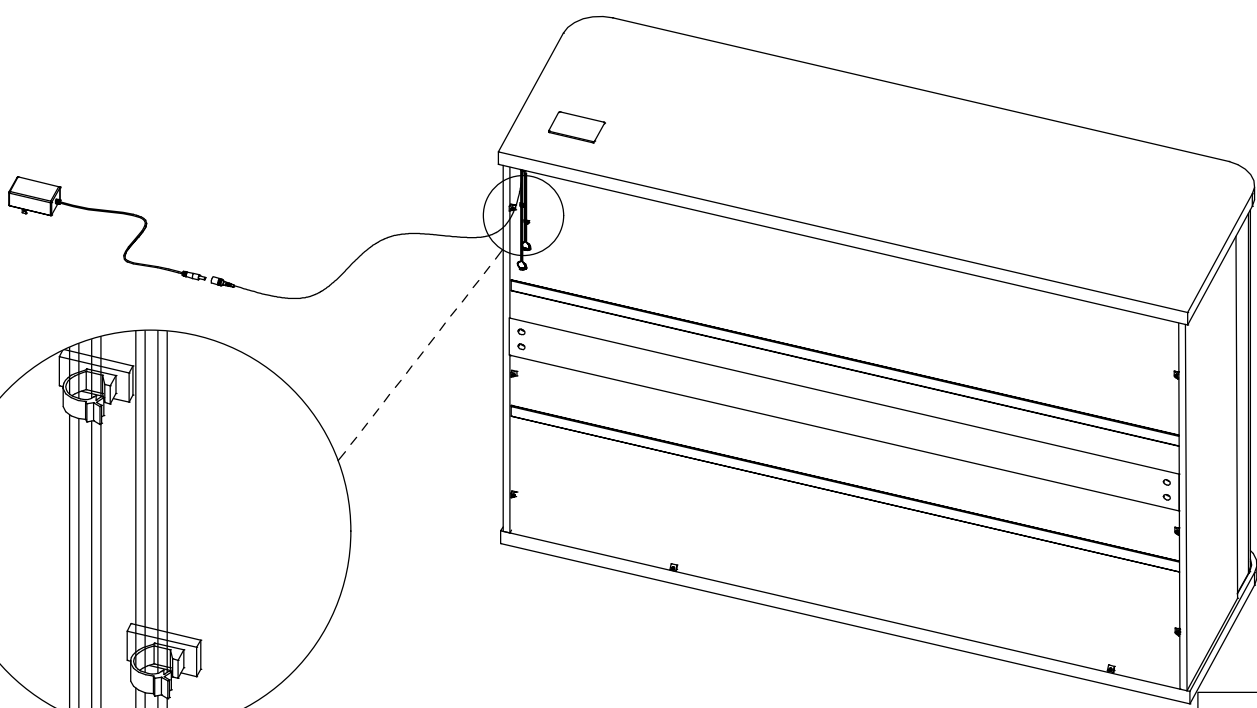
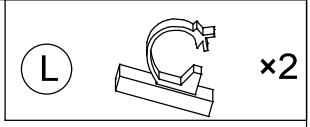
(E)  x10



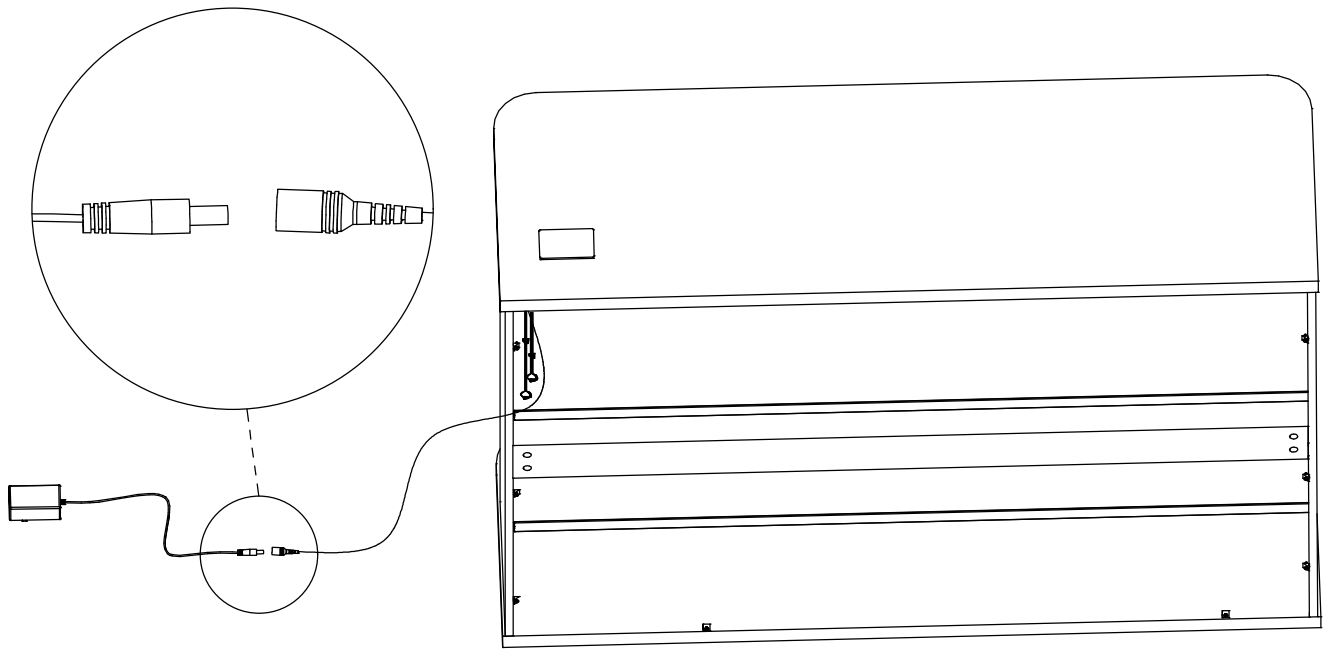
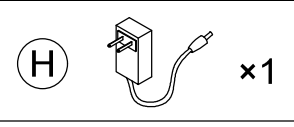
Step 42



Step 43



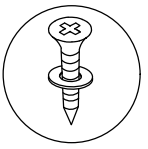
Step 44



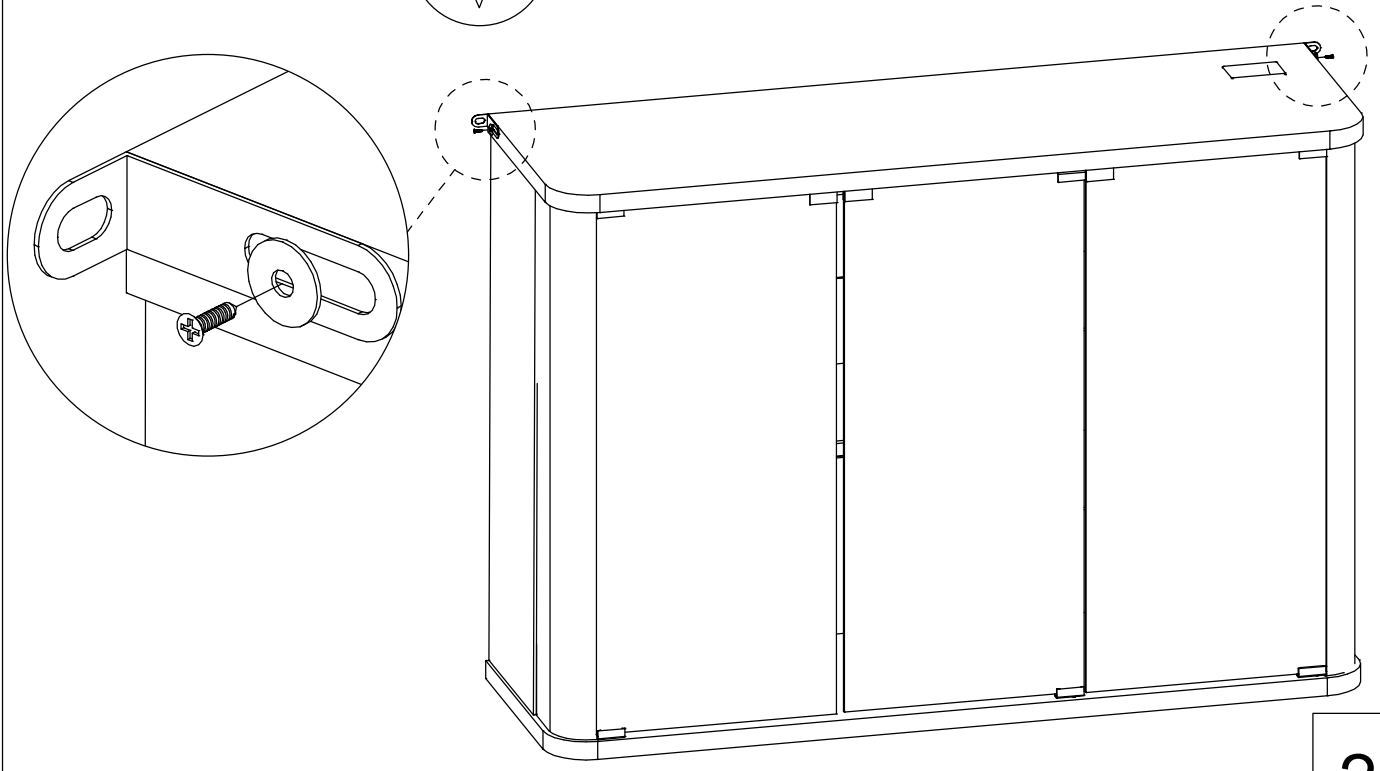
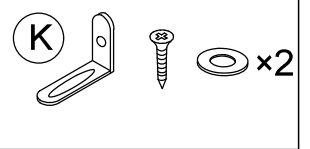
Step 45

Install as required

3.5x14mm

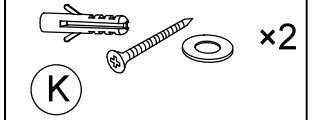
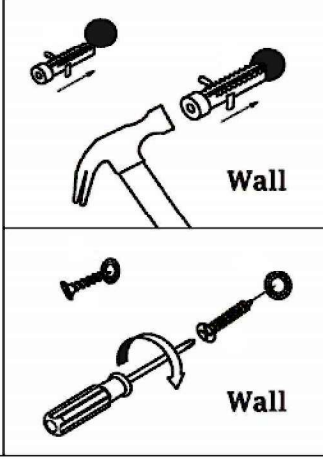
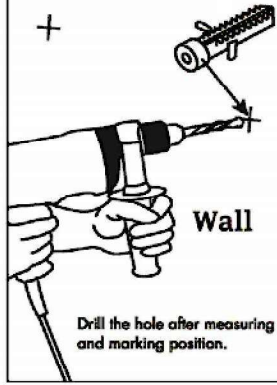


Install the anti fall hardware on the cabinet as shown in the picture first

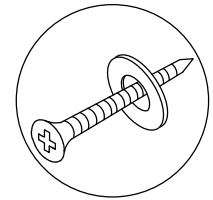
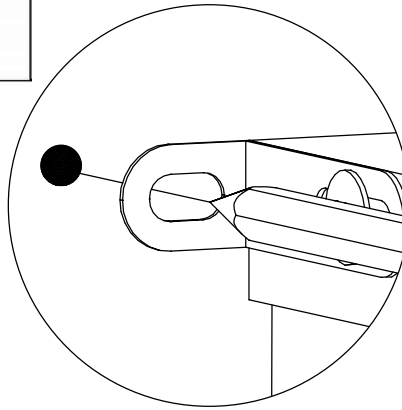
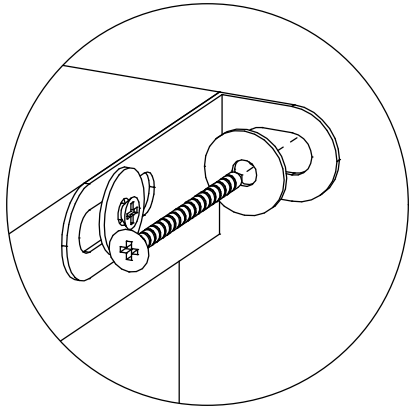


# Step 46

## Wall Mount



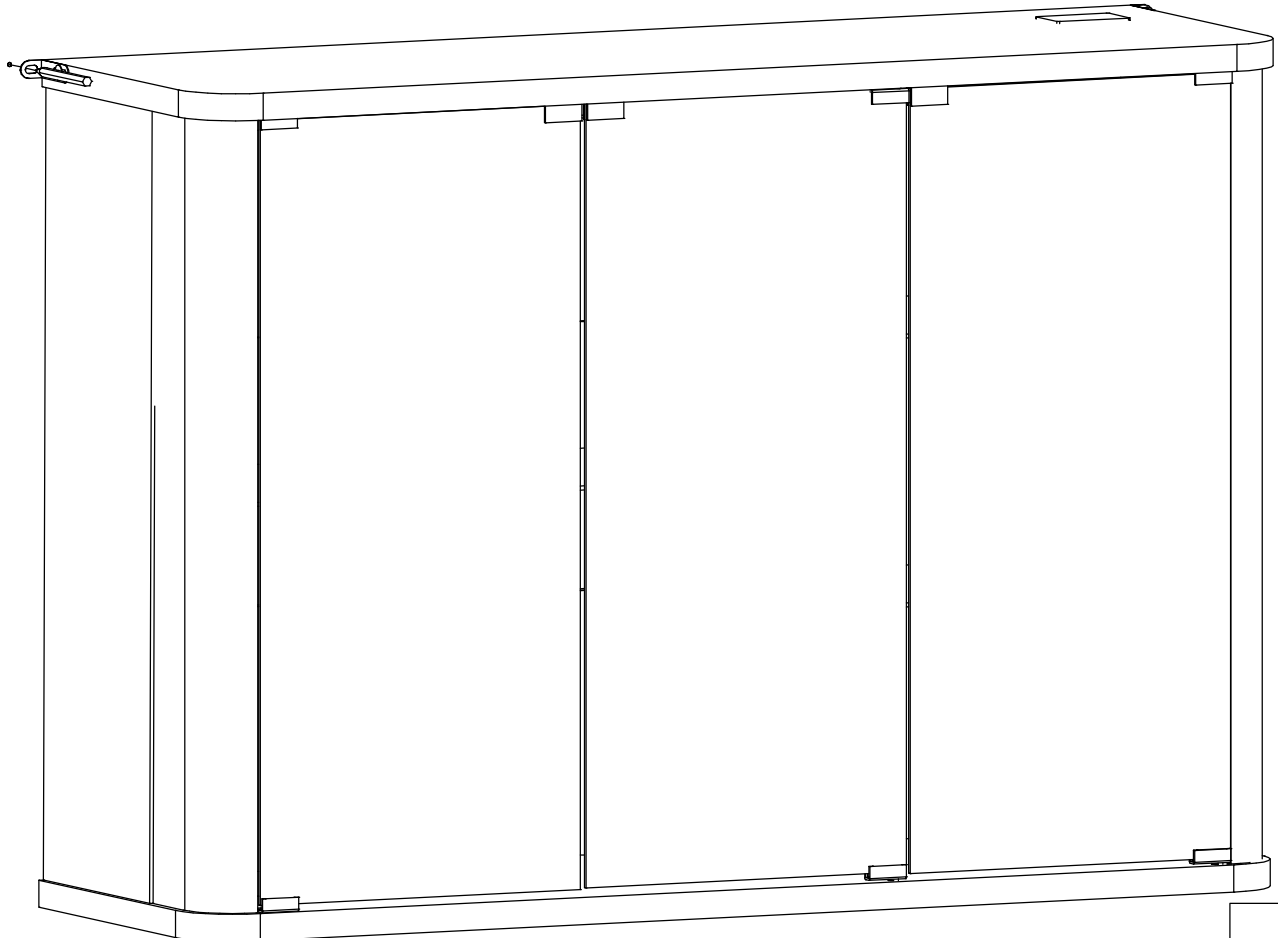
Drill the hole with an electric drill and punch in the colloidal particles



4x45mm

Then mark the wall with a pen through the holes in the anti-fall hardware

Fix the dressing table to the wall





## User's Guide

Thank you for purchasing this product.

To use this product, please connect it to a power source.

Please use if the product works normally after connecting to power.

If bubbles appear on the panel, remove the protective film.

## Introduction

The box is an intelligent controller.

It has 1 USB output port 1 Type-c port, with 2 touch buttons ,

it can and turn ON/OFF the induction function,

turn ON/OFF the light,adjust the light luminance,and change light colors.

The lights can be controlled through both the touch buttons and a dedicated app.

## Operation



This touch button is used to turn the light on/off, adjust brightness, and switch the color of the lights.

i. Single Click: Turn the light on/off.

ii. Quick Double-Click: Switch between 7 static RGB colors.

iii. Long Press (2+ seconds): Adjust the light luminance.



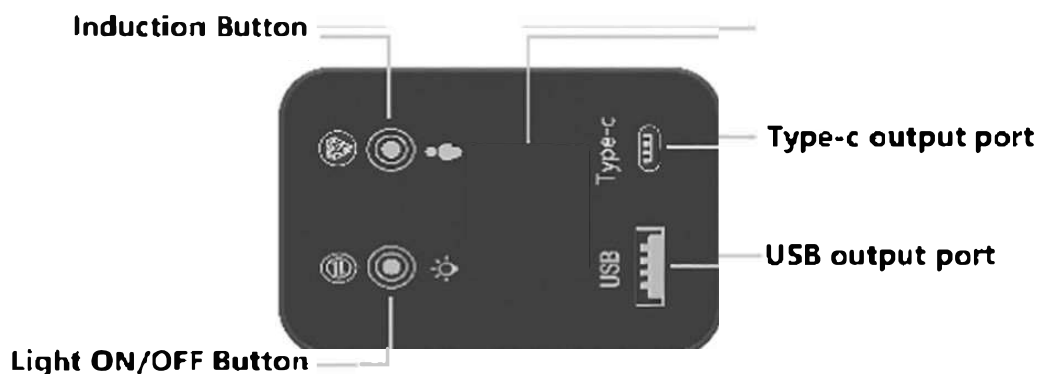
This touch button is used to switch dynamic phantom colors and turn ON/OFF the induction function.

i. Single Click:Switch to Phantom Mode, with 5 magical color transformations available.

ii. Human Body Sensing Control:Long Press (3+ seconds): Turn on The key press indicator light is on.)

Long Press (3+ seconds): Turn off (The key press indicator light is off.)

By default, the human body sensing is enabled upon initial power-on, and the indicator light is on.



## ⚠ ATTENTION PLEASE

1. If there is no touch response suddenly, Re-plug the power to reset the touch static electricity.

2. If you have any questions when installing, please feel free to contact us. Thank you.