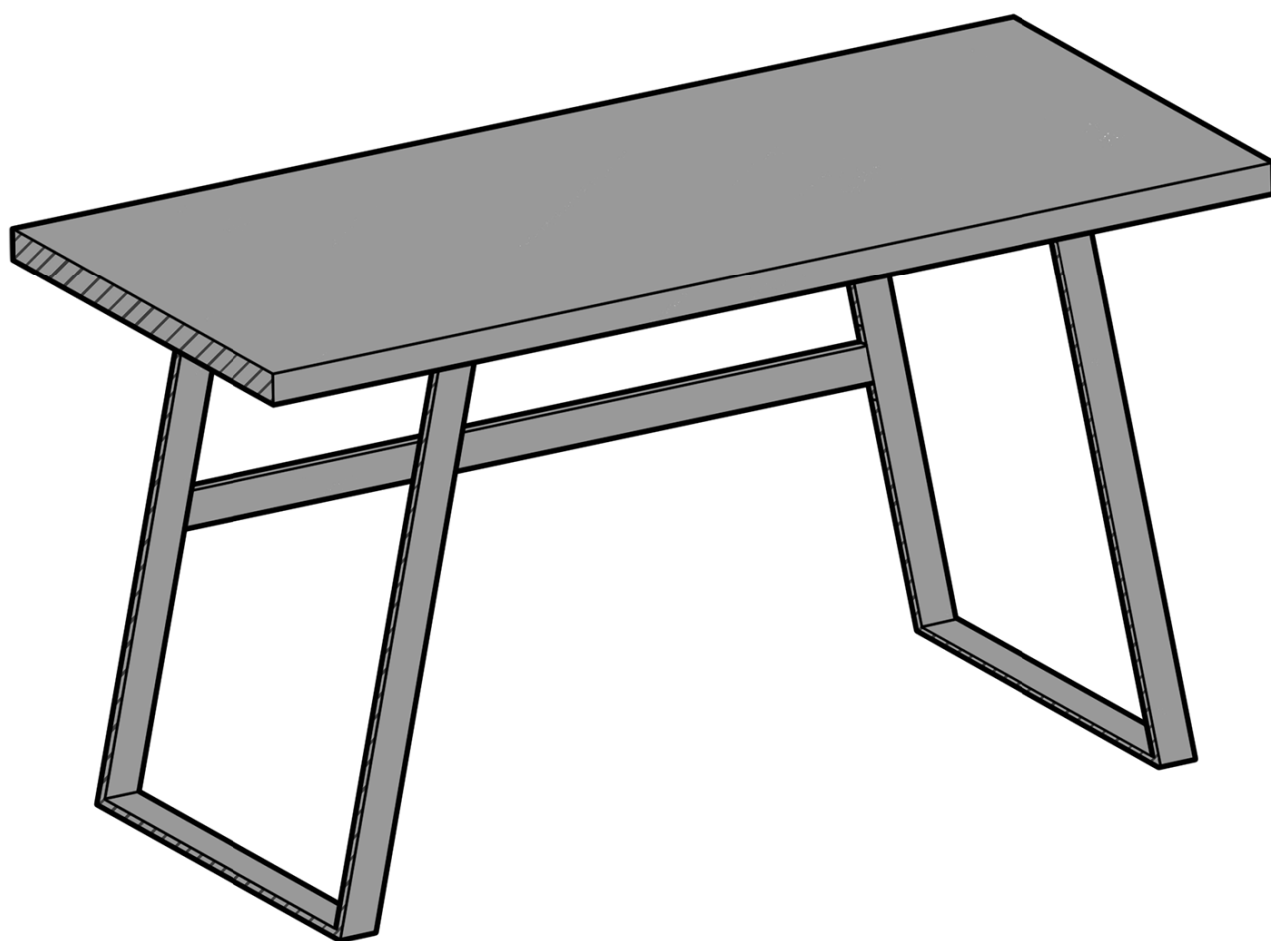


INSTRUCTION MANUAL

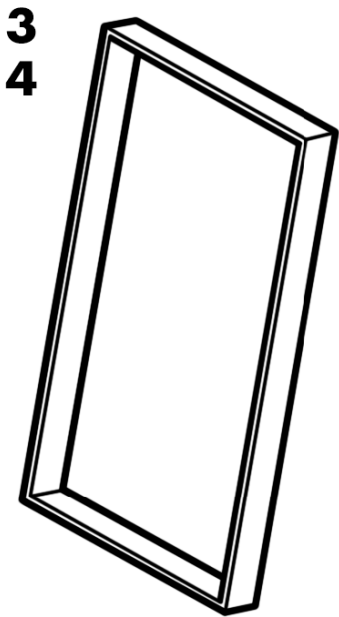


Instructions side 1

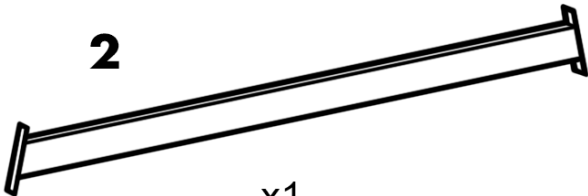
2 people recommended for assembly



x1



x2



x1

A

 M5x15mm

x4

B

 M6x30mm

x8

C

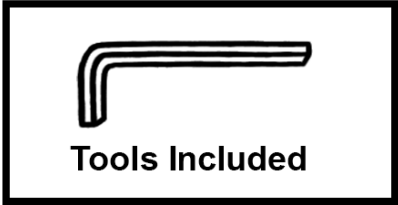


x8

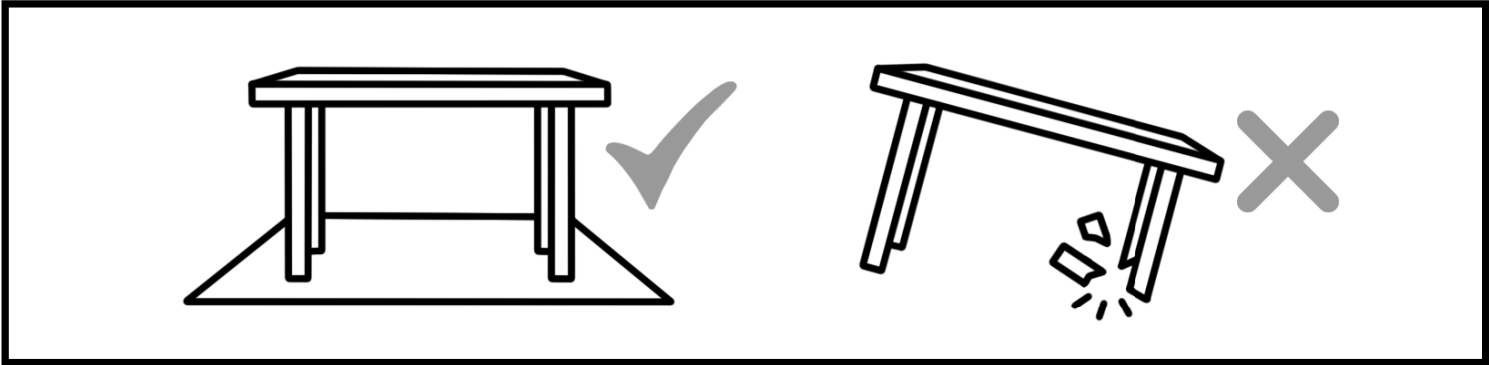
E

 $\varnothing 23 \times M6 \times 8 \text{mm}$

x4

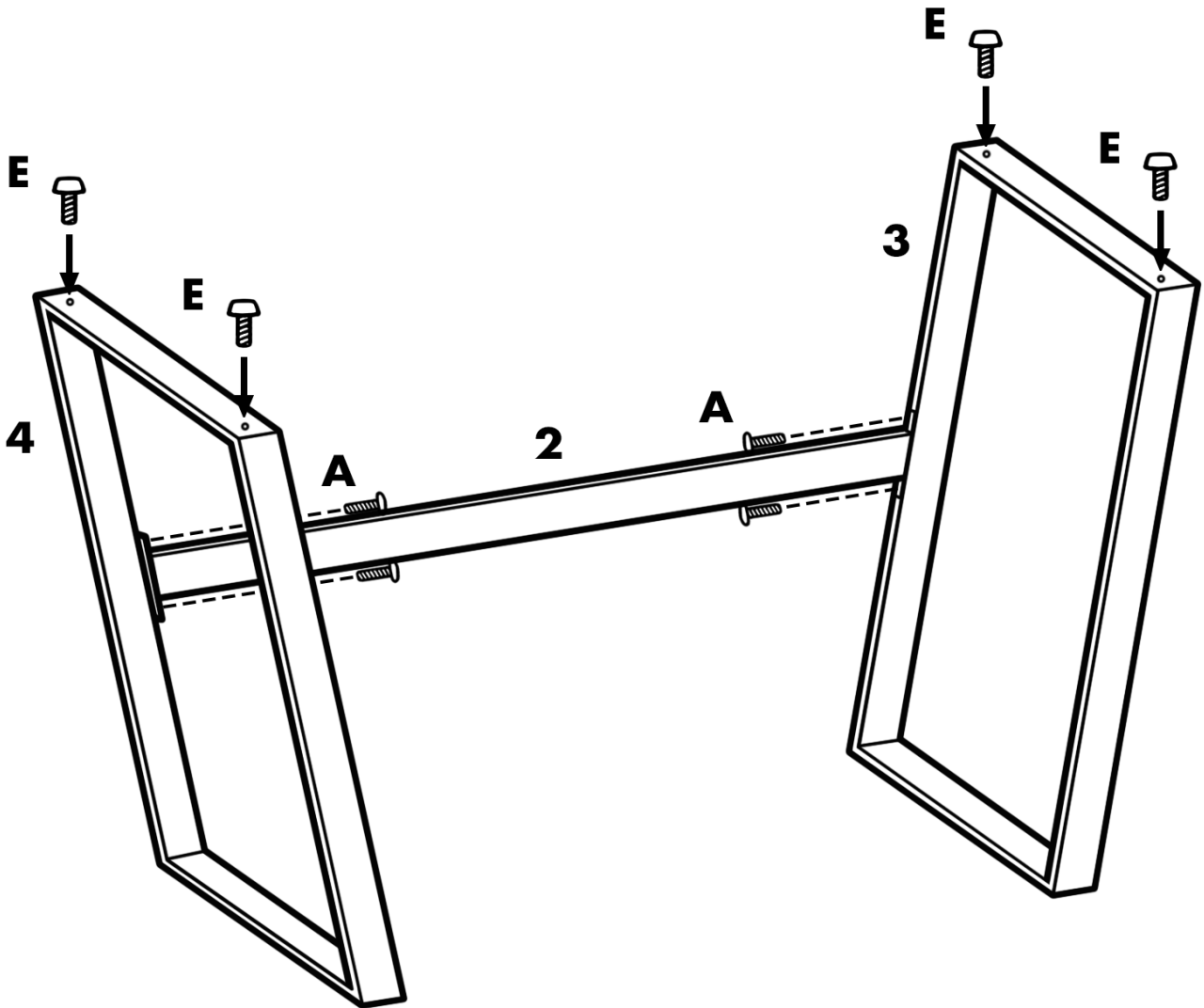


Advice: A mat should be put down to avoid damage to the product or people around



1

**Add table feet (E) onto bottom of table legs (3/4).
Then screw support beam (2) to table legs (3&4)**



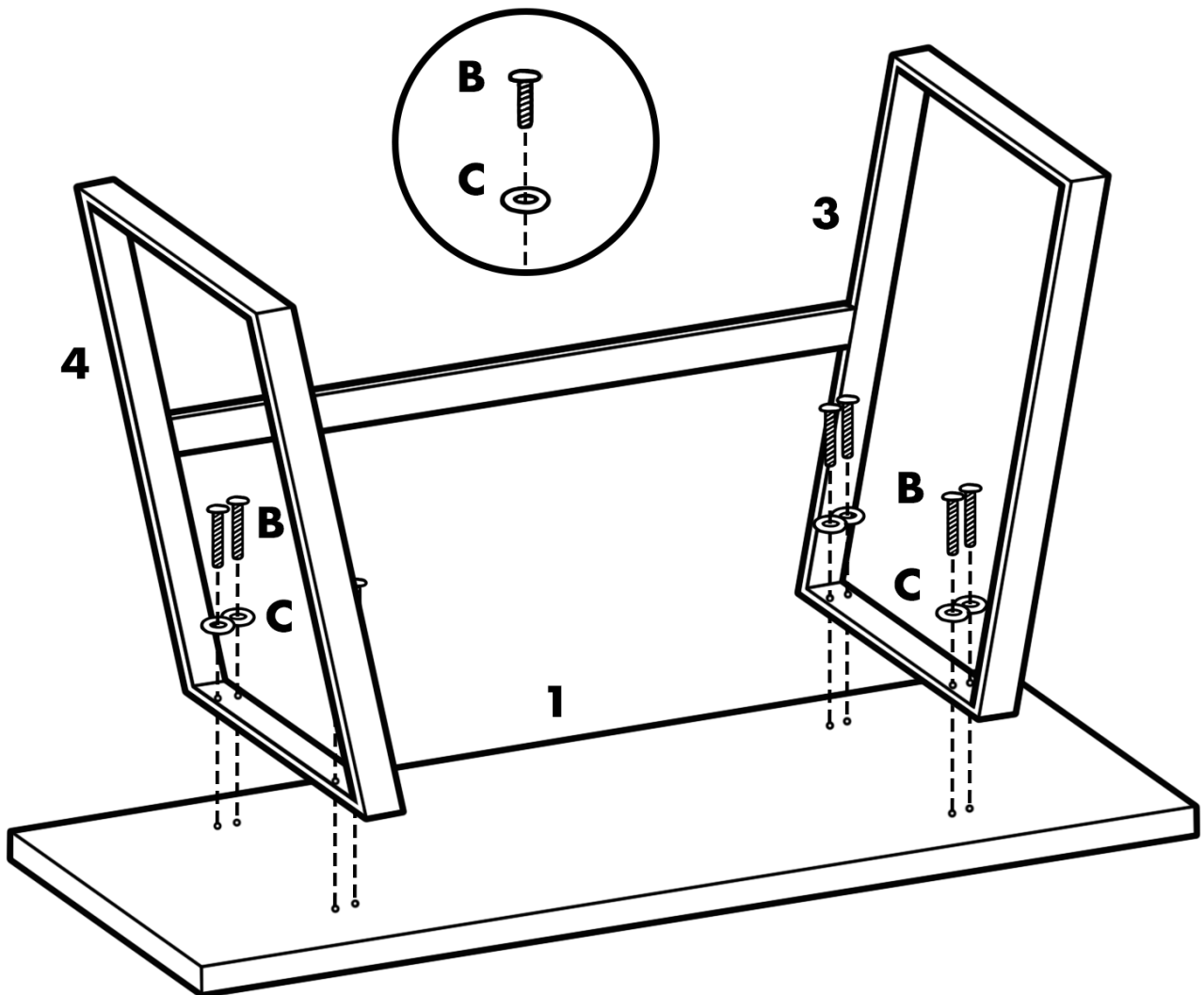
Parts needed in step 1:

Support beam (2) x1
Table legs (3&4) x2
Screws (A) x4

Table feet (E) x4

Instructions side 2

- 2** Screw table legs (3&4) onto tabletop (1)



Parts needed for step 2:

Completed step 1 x1
Tabletop (1) x1
Screws (B) x8

Washers (C) x8