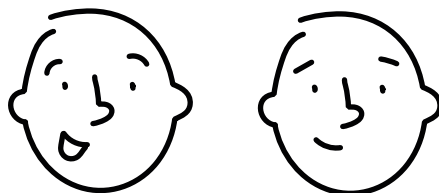
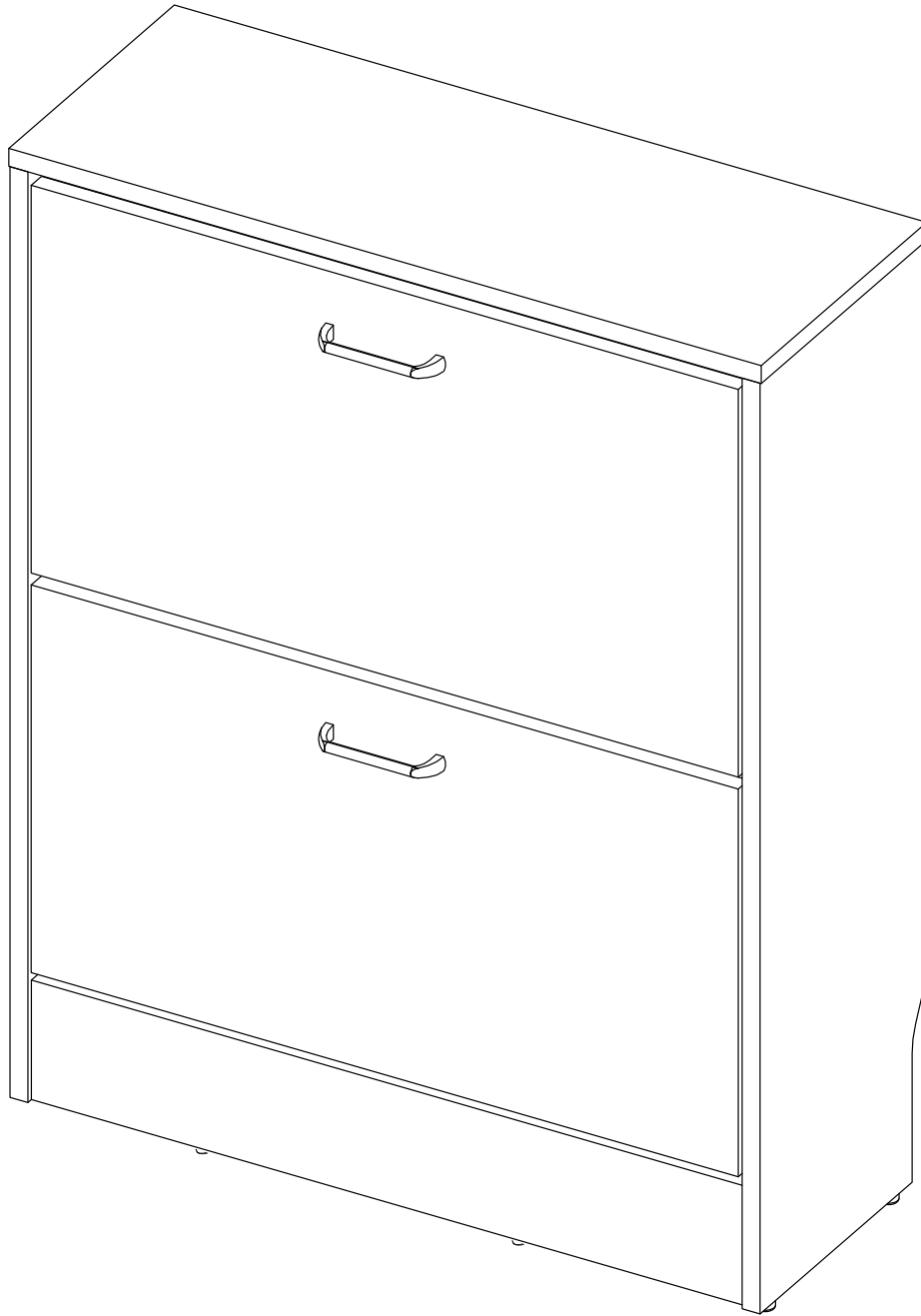


ASSEMBLY INSTRUCTIONS

2 DOOR SHOE RACK

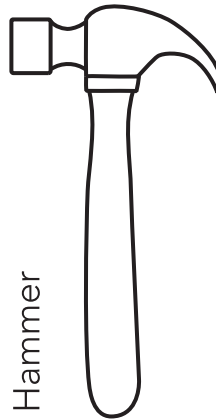
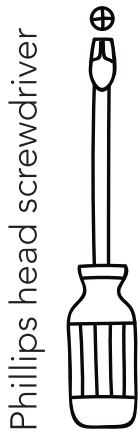


It's much better if you get some company for this!

Index

What will you need?	2
Where should you start?	3
What's in the hardware bag?	4
How do the dowels and Minifix system work? (We also explain what they are)	5
Let's start assembling!	6
How much weight does your cabinet resist?	14
Our last recommendations for taking care of your cabinet	15

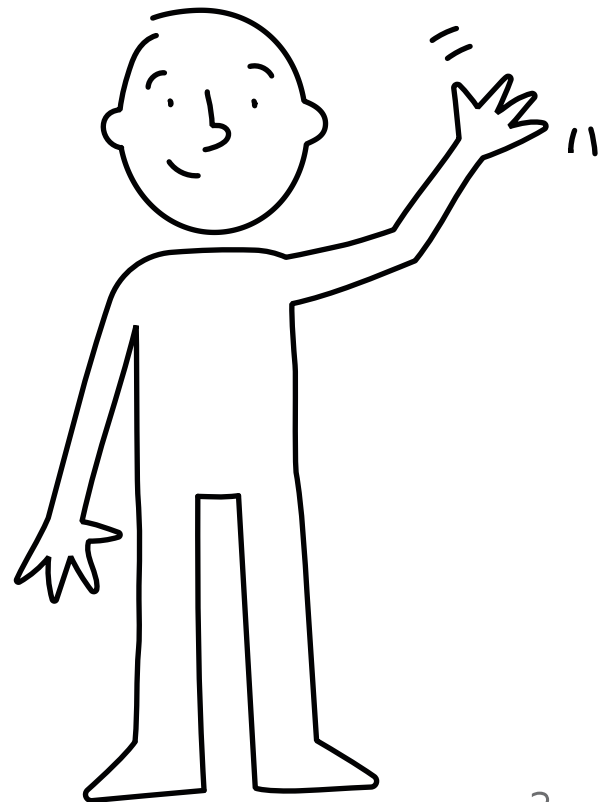
What will you need?



A flat, smooth surface. You can use the cardboard of the box or a rug.



An electric screwdriver isn't necessary, but it can make the work much easier :)



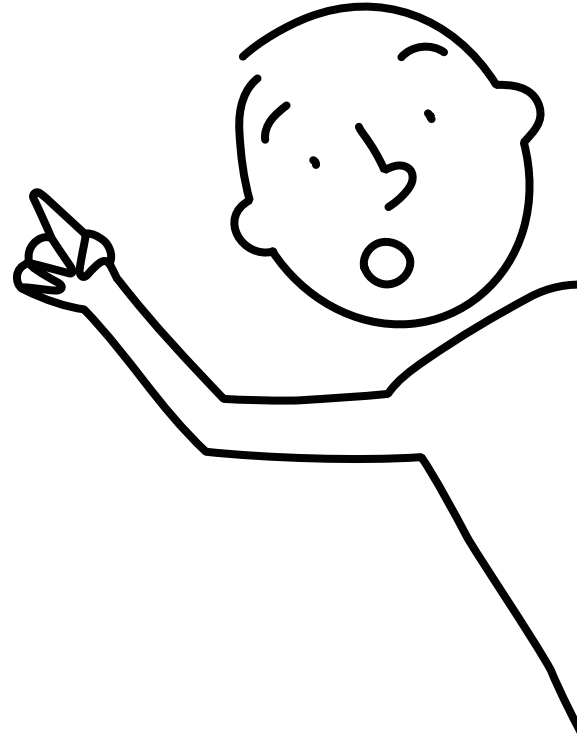
Where should you start?

This is so IMPORTANT!

Over the next few pages is the panel and hardware content for this cabinet.

Please make sure that the quantity of each one is correct, and that everything is in good shape.







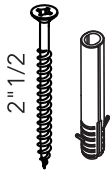

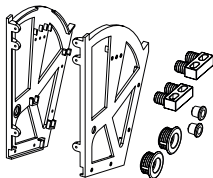
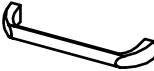
(When the cabinet is already assembled there's no warranty for this)

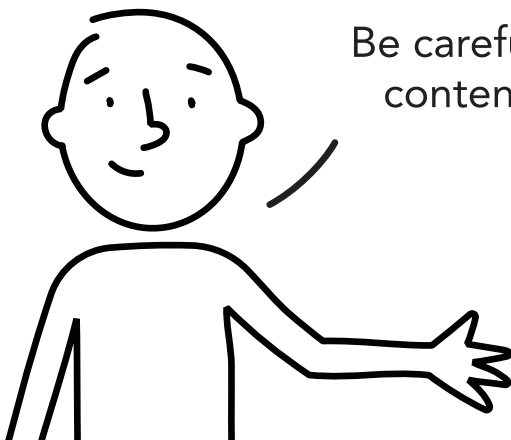


Panel quantity

A - x1	B - x1	C - x1	D - x2
E - x1	F - x1	G - x2	H - x2
I - x2	J - x2		

What's in the hardware bag?

			
Wood dowel x14	Spreading bolt x12	Minifix cam x12	Cover caps x14
			
Nail-on glide x8	Flat head screw x20	Wall anchor + screw x2	Flat head screw x16
			
Shoe Holder kit x2	Handle + screws x2		

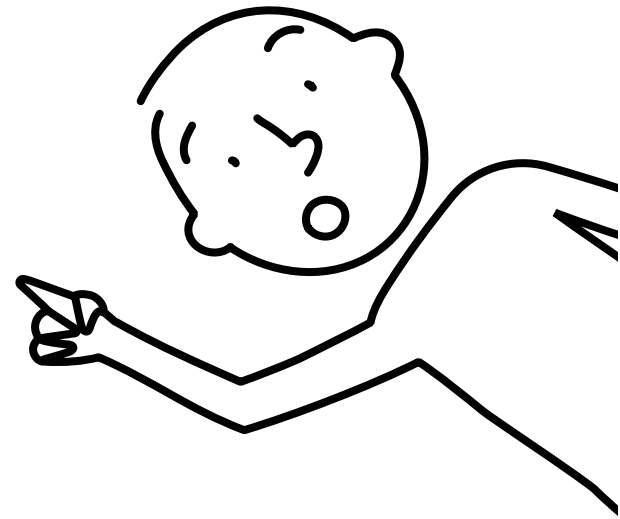


Be careful!, try not to lose anything from this bag, its content is necessary for assembling your cabinet.

How do the dowels and Minifix system work?

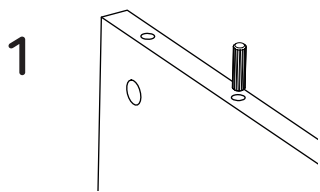
this is so important too!

Everytime you're using one of these connectors during the assembly, you should follow these same steps.

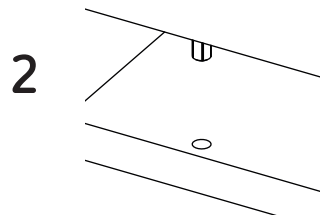


Wood dowels

They are little wooden cylinders.



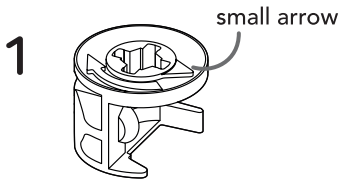
Put in the dowel inside the indicated hole and softly hit it until it's fully inside.



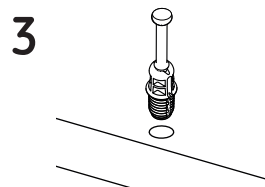
When joining two panels together, don't forget to gently hit the panels to adjust the joint.

Minifix system

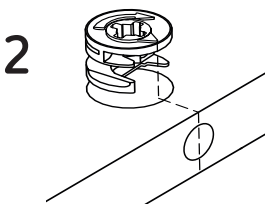
It's a joint compound of two parts: a spreading bolt and a Minifix cam.



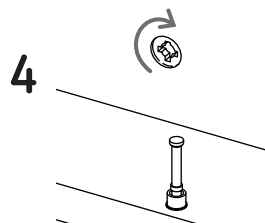
This is a Minifix cam. It has a little arrow on its upper surface.



This is a spreading bolt. You should put it with the black plastic part facing down.



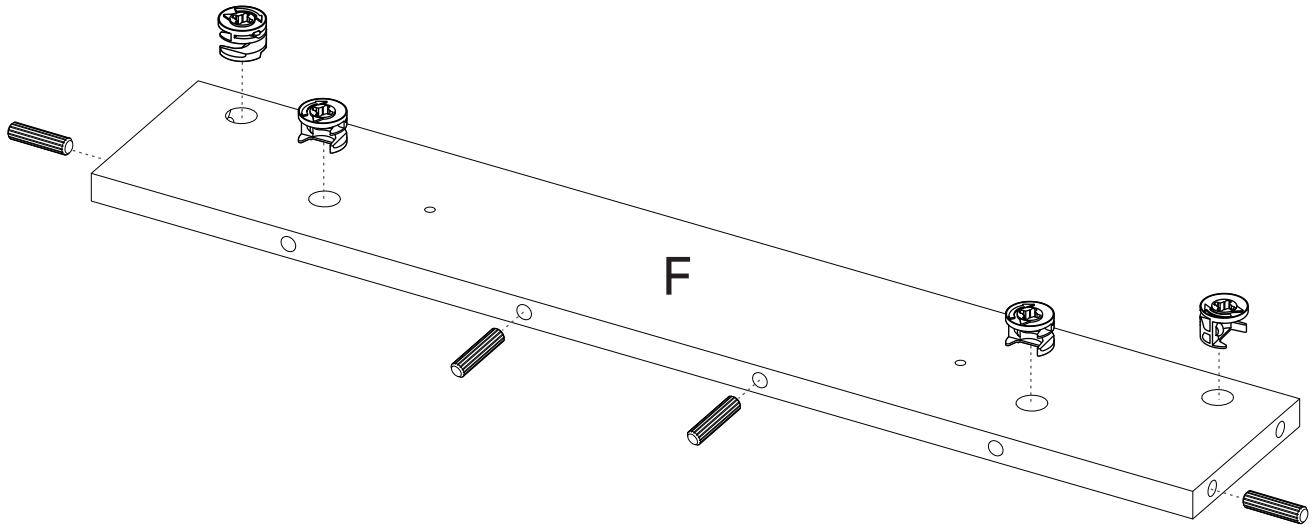
You should insert these cams with the little arrow pointing towards the drilling on the panel's edge (shown on the left).



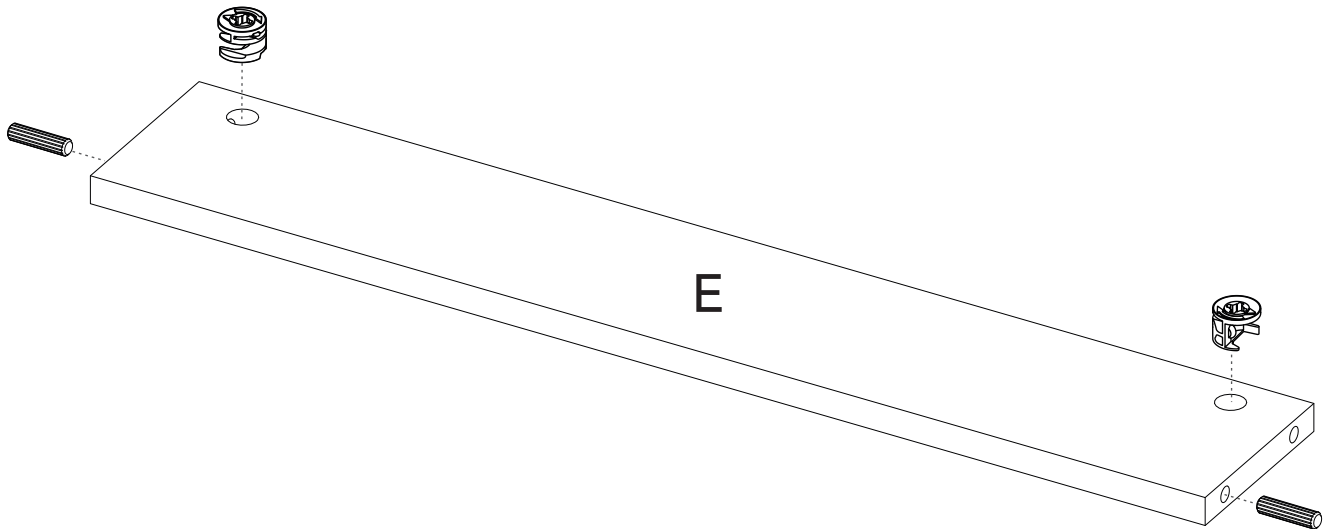
After joining two panels together you should turn the cams 180° with a phillips head screwdriver to adjust and secure the joint.

1 Let's start assembling!

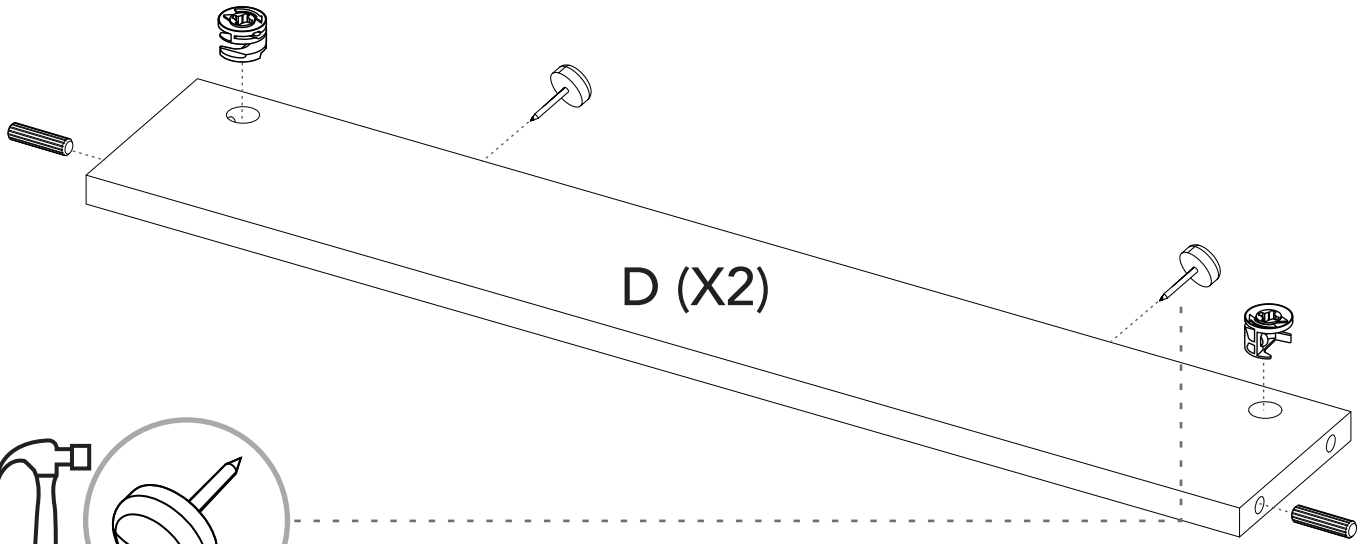
You can see the last page of this manual to have a full look of the panels of this cabinet.



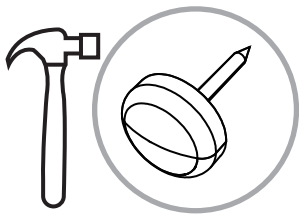
2



3

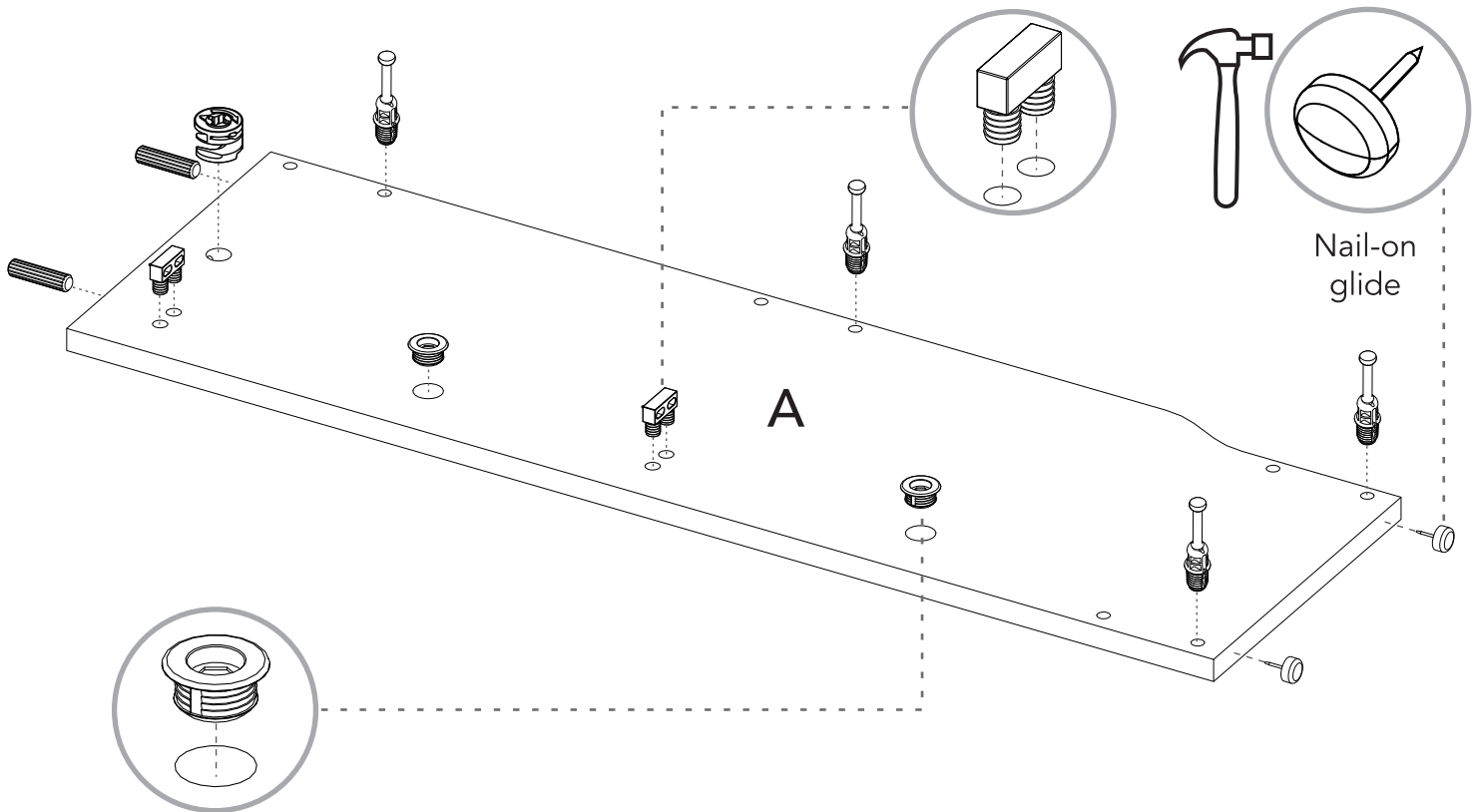


D (X2)



Nail-on
glide

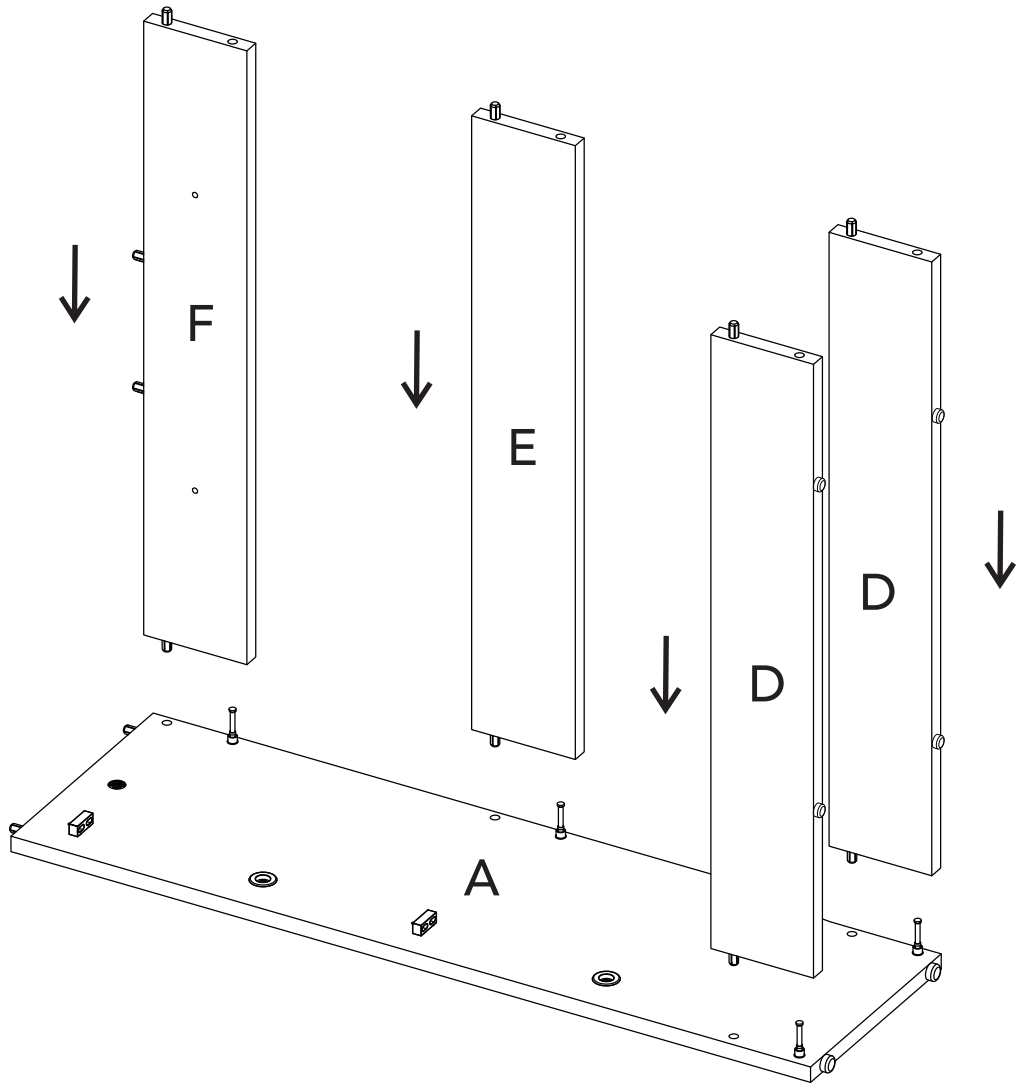
4



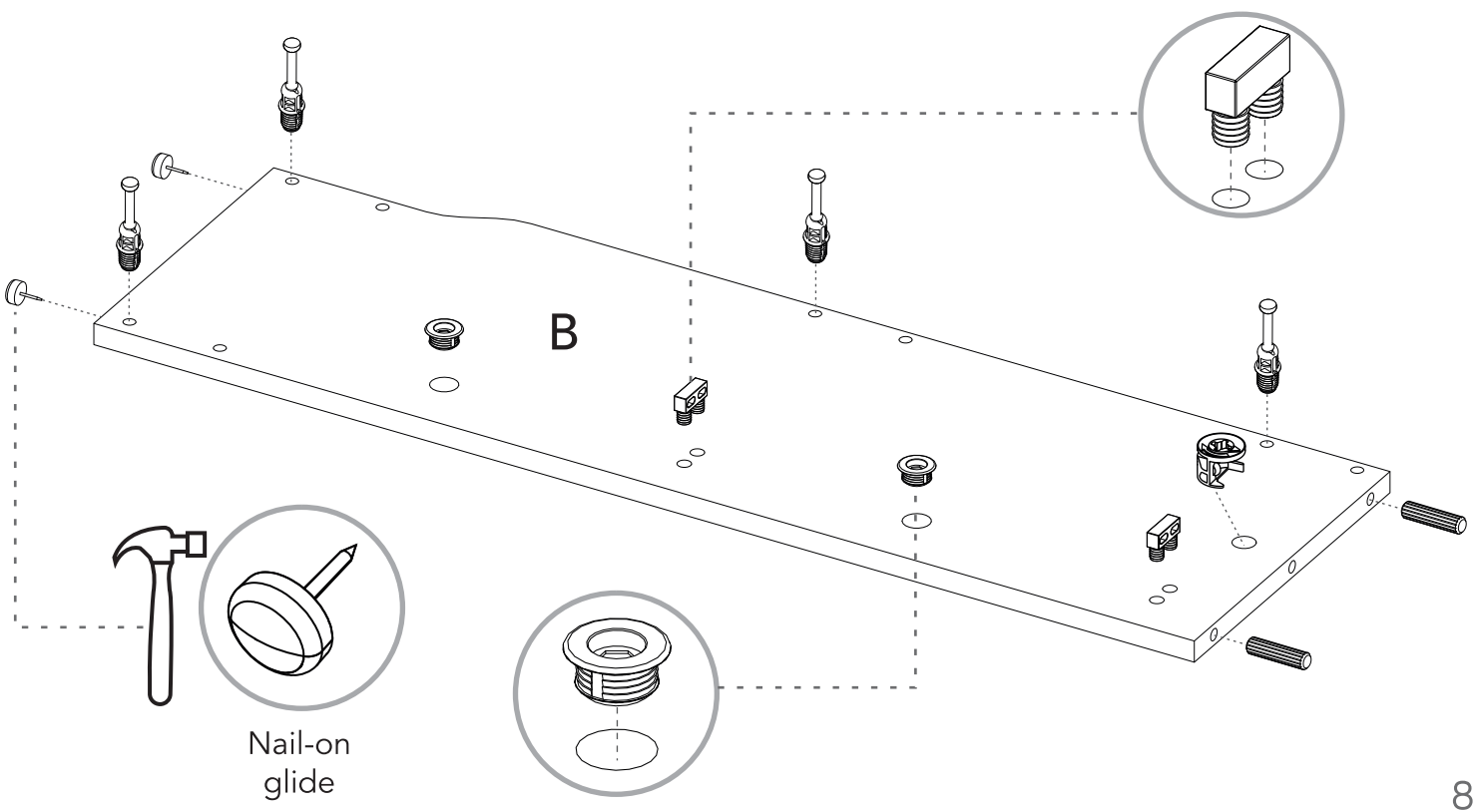
A

Nail-on
glide

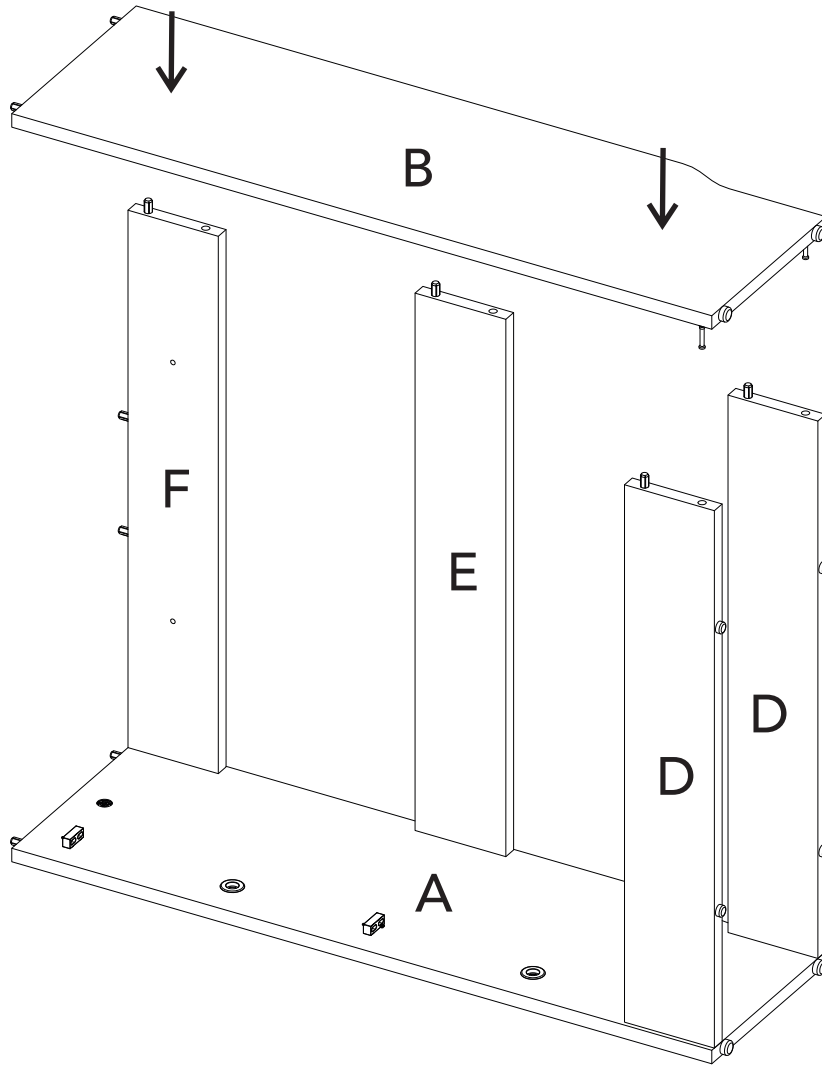
5



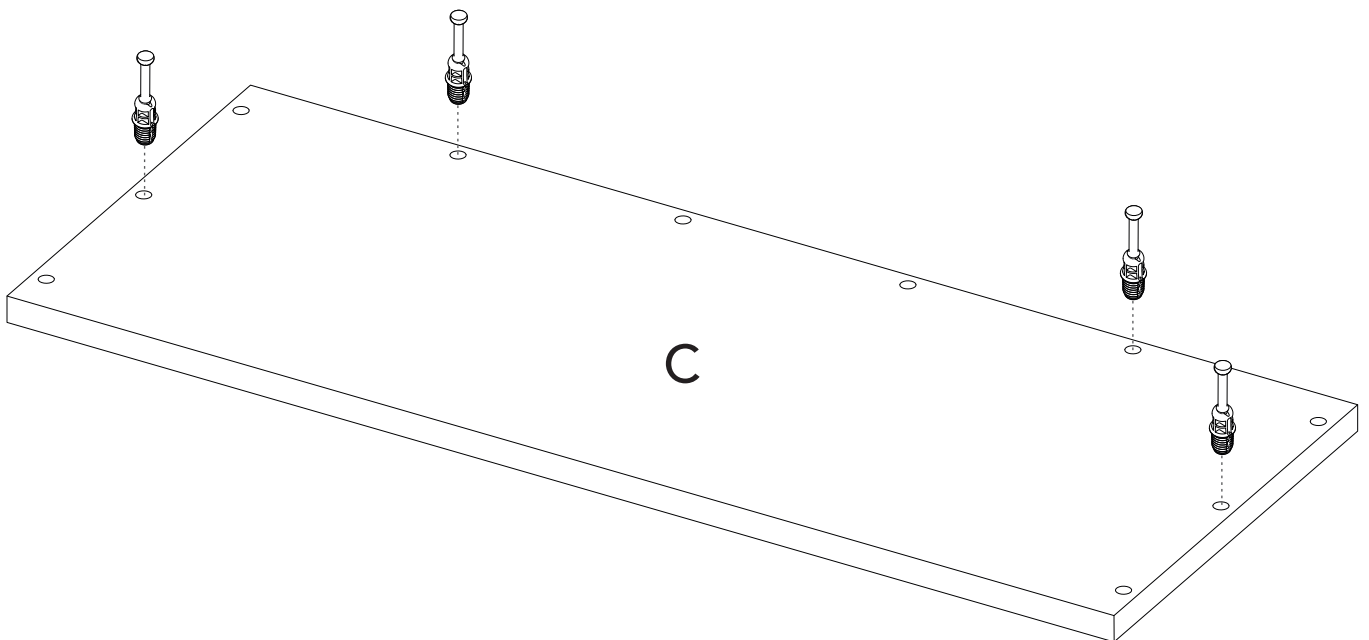
6



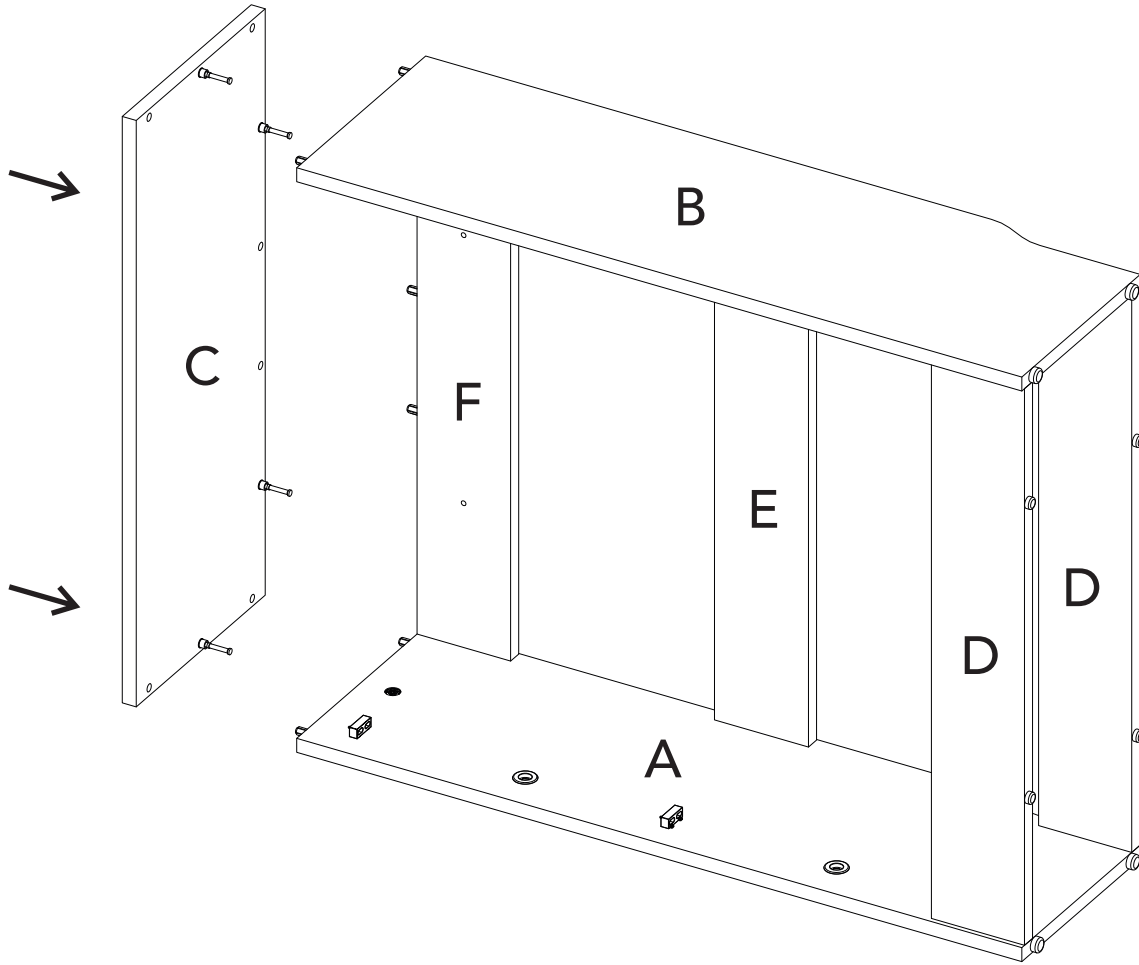
7



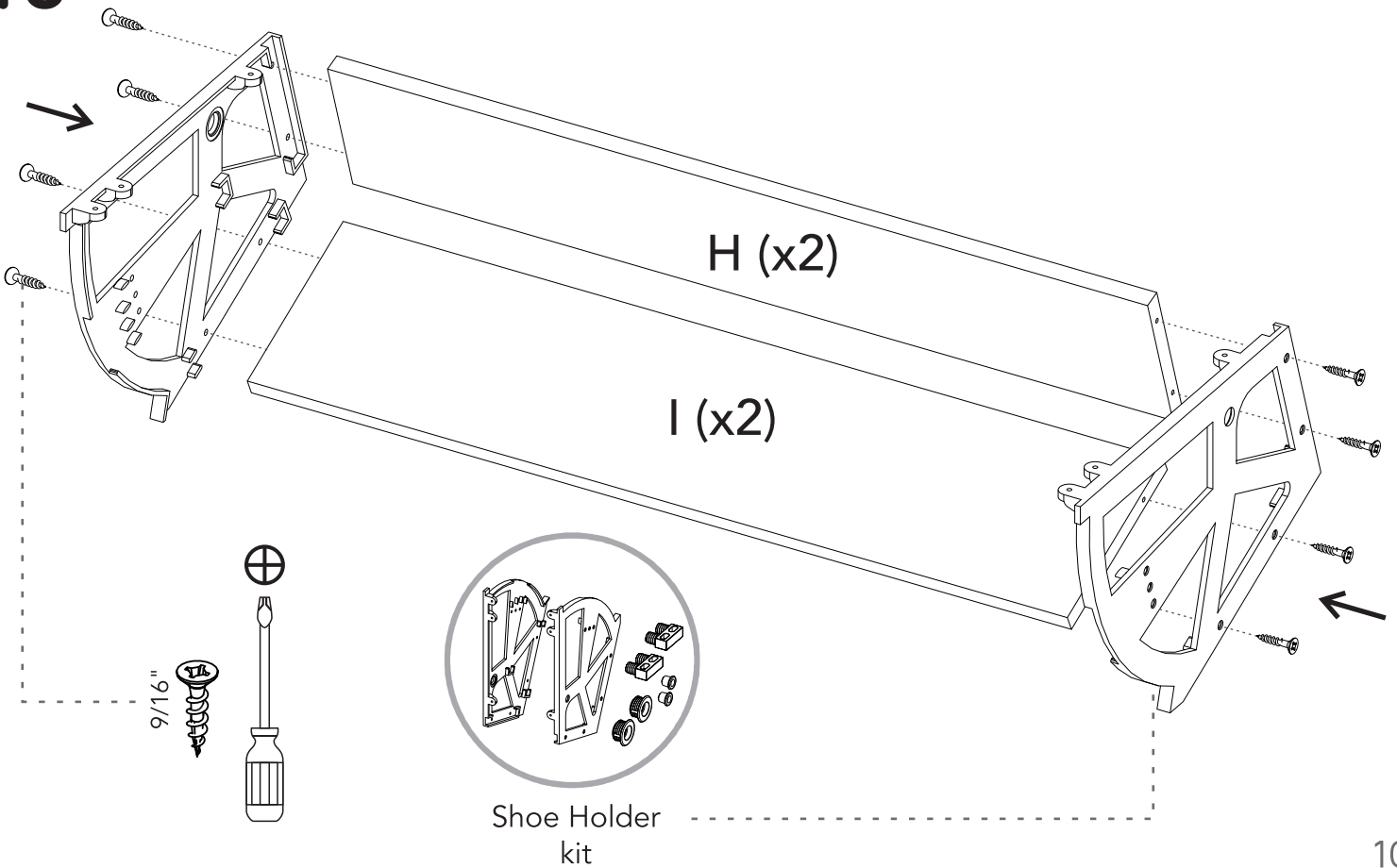
8



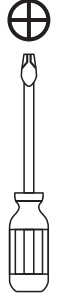
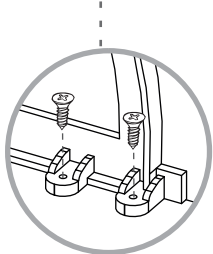
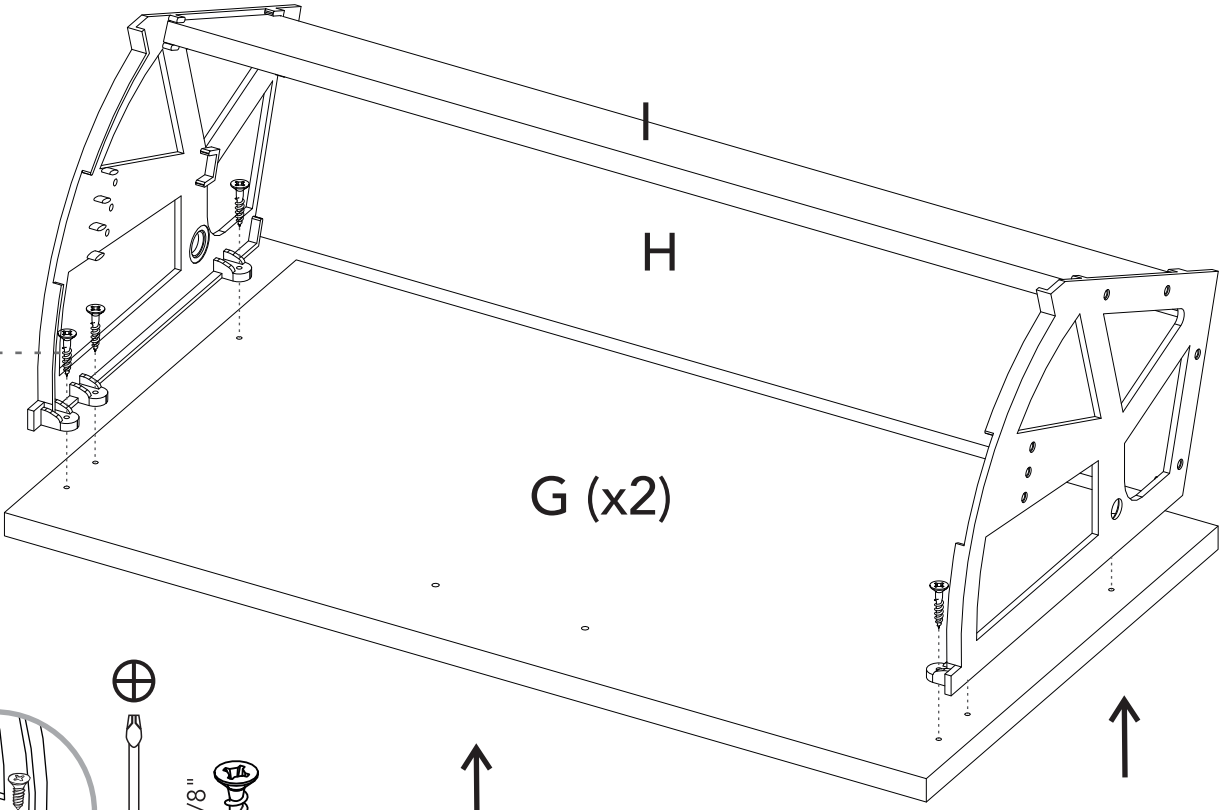
9



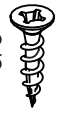
10



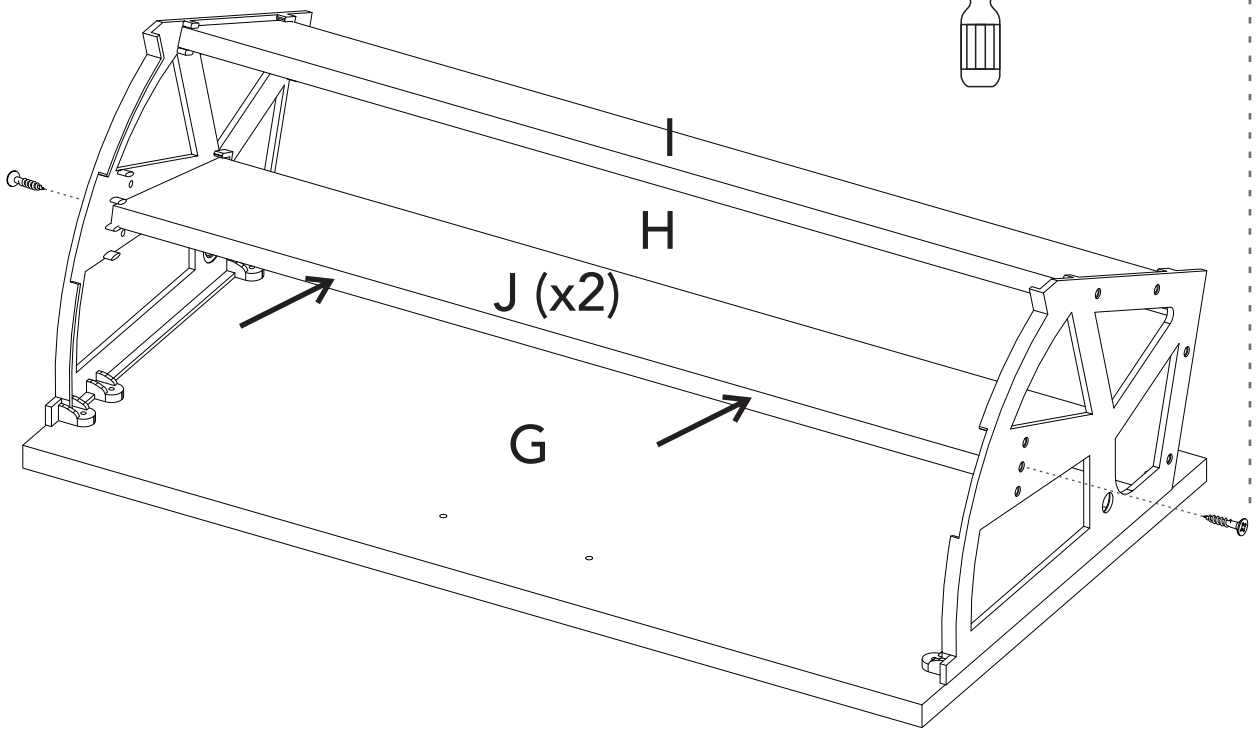
11



5/8"



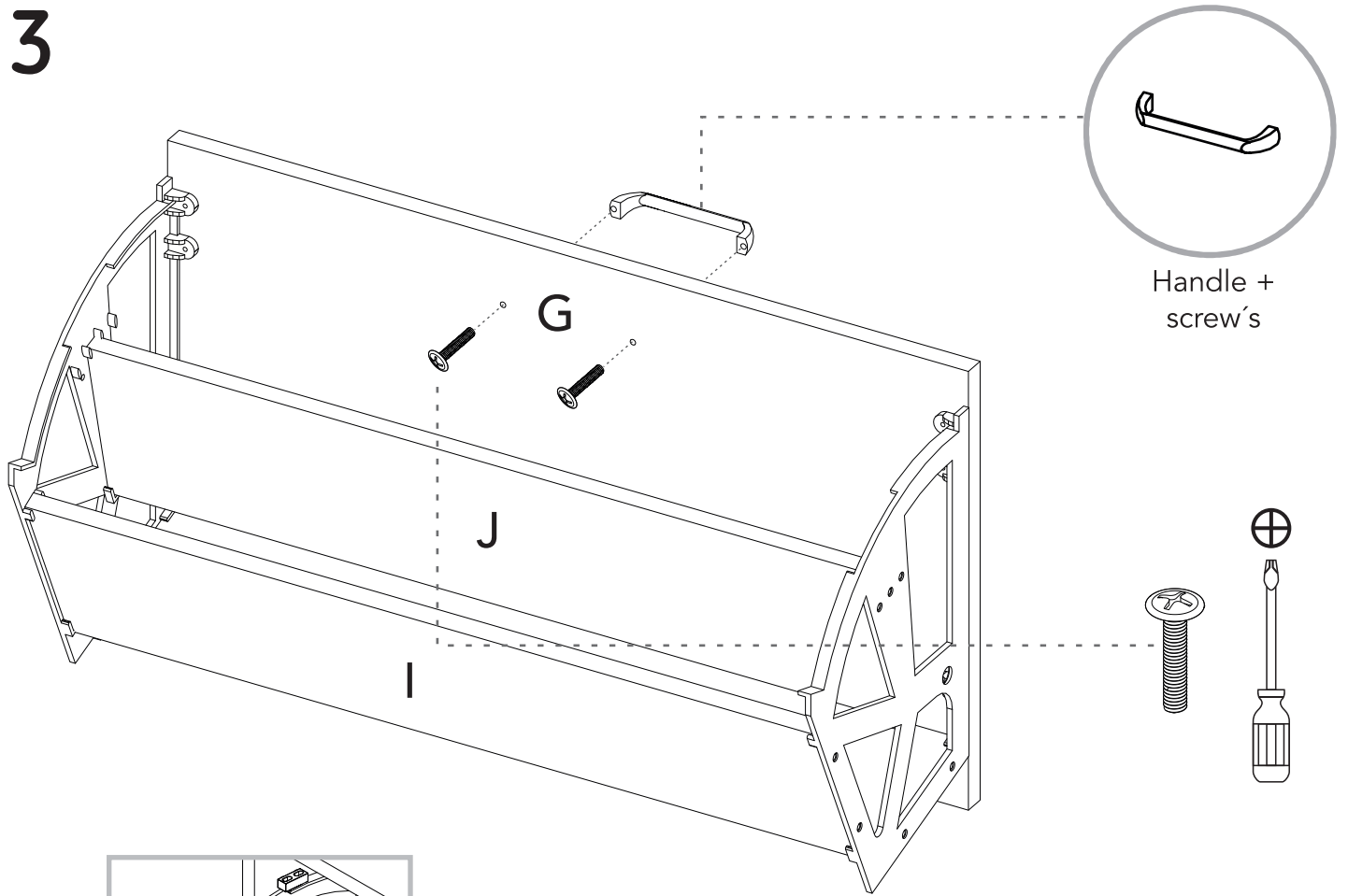
12



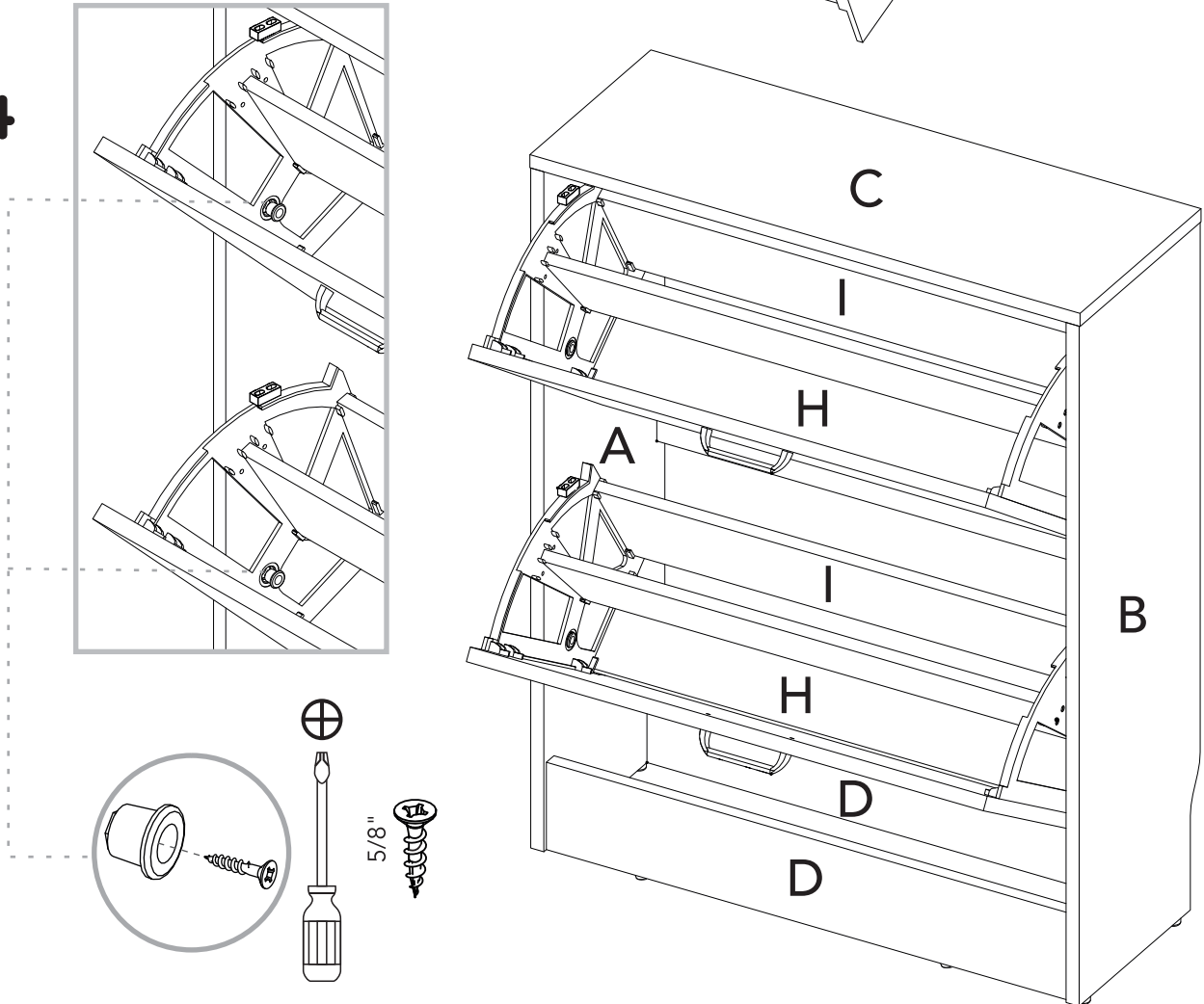
9/16"



13



14



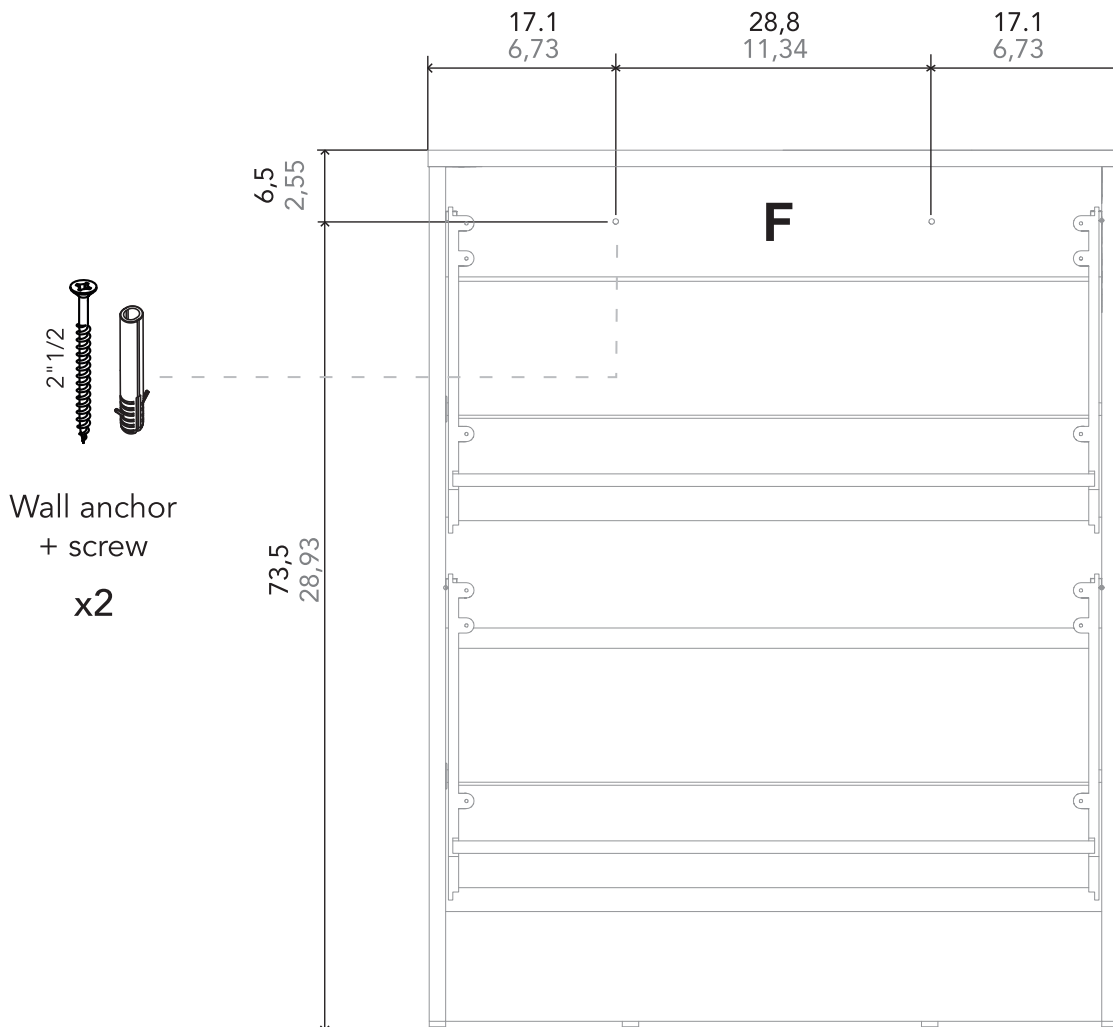
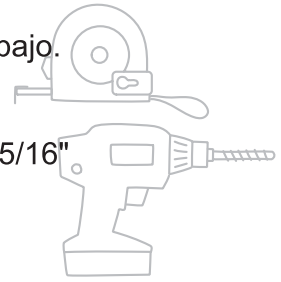
15 Fix your cabinet to the wall

1 En la pared, mide y marca los puntos que te indicamos abajo.
On the wall, measure and mark the points shown below.

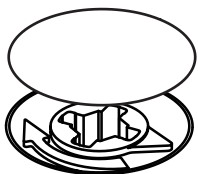
2 Debes perforar en los puntos con taladro y una broca de 5/16"
Drill on the markings with a 5/16" drill bit.

3 Inserta los chazos plásticos en las perforaciones.
Insert the wall anchors inside the drillings.

4 Ubica el mueble y asegúralo con los tornillos.
Place the cabinet and secure it with the screws.



*Medidas en cm
*Dimensions in inches

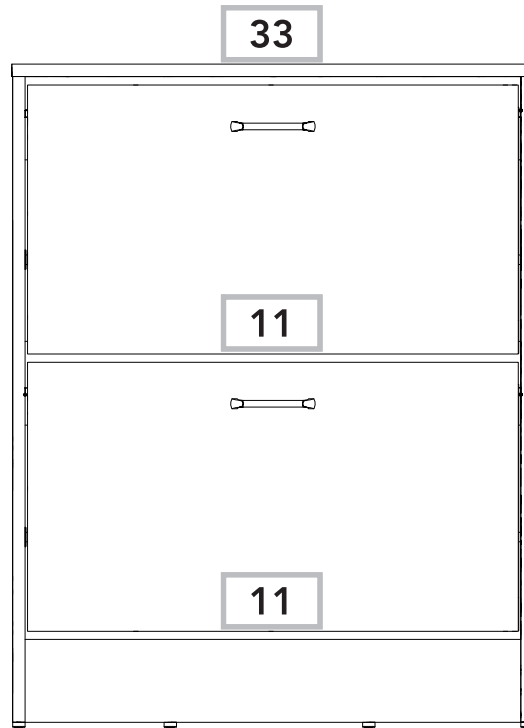


After adjusting all the Minifix cams, cover them up with the cover caps.

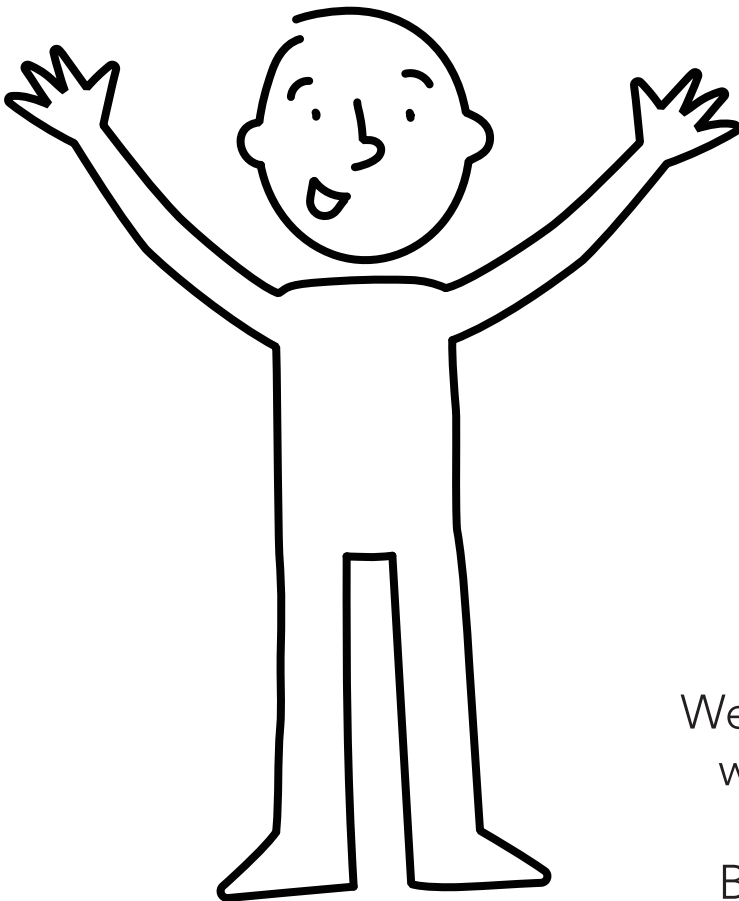


After finishing the assembly, lift off all the adhesive letters.

How much weight does my cabinet resist?



*weight in pounds



**Congratulations!
It's done**

But don't go yet!

There are some recommendations left for you to take care of your cabinet correctly from now on.

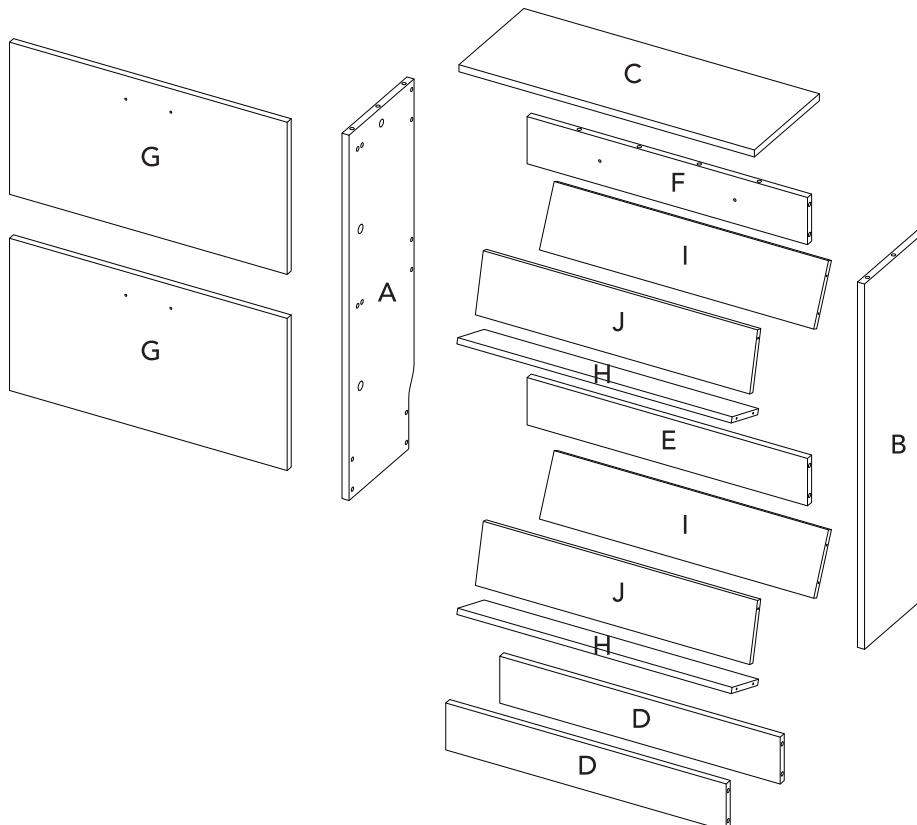
SUPER IMPORTANT!

We suggest fixing the cabinet to the wall, so we can avoid the cabinet tipping and harming anyone. Be specially careful with the kids.

Taking care of your cabinet:

- Do not paint the cabinet.
- The cabinet is exclusively for indoor spaces. Do not expose it to the direct sun.
- Clean the metallic hardware with a dry cloth.
- DO NOT overload the cabinet (see suggested loads)
- Do not hit or hammer the cabinet (only when indicated here).
- Clean it with thinner, a soft soap solution or simply a damp cloth.
- Don't drag the cabinet, lift it up with other people.
- Avoid direct contact with water, fire or exposing it to high heat.

Cabinet panels



WARRANTY POLICY

The product has a 3-year warranty coverage on wooden parts and a 1-year warranty coverage on hardware pieces from the manufacturing date, which can be found in the lot number printed on the product box and the assembly instructions leaflet.

The warranty covers material and workmanship defects that impair the assembly or proper functioning of the cabinet.

This warranty is not valid if defects or imperfections are caused by failure to follow assembly instructions, warnings, and recommendations, misuse, intentional damage, fire, flood, modifications or alterations, or repairs performed by unauthorized persons, or if the product is assembled more than 3 months after the date of purchase. These defects **MUST be reported before the warranty period expires. Once the product has been assembled, the company will not be responsible for defective and/or damaged parts.**

This warranty is **ONLY valid for the **ORIGINAL PURCHASER** and does not apply if the product has been resold, rented, or otherwise transferred.**

No liability is assumed for incidental or consequential damages caused by or to the product (this may not apply in your state).

To validate this warranty, you must contact customer service via email describing the product defect, including the lot number, and providing your sales receipt or proof of purchase, or contact customer service by phone. Replaced parts will remain under the original warranty period. Damaged parts will become the property of the company.

No other warranties are applicable to this product.