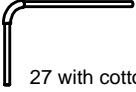
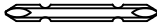




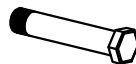




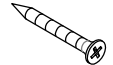


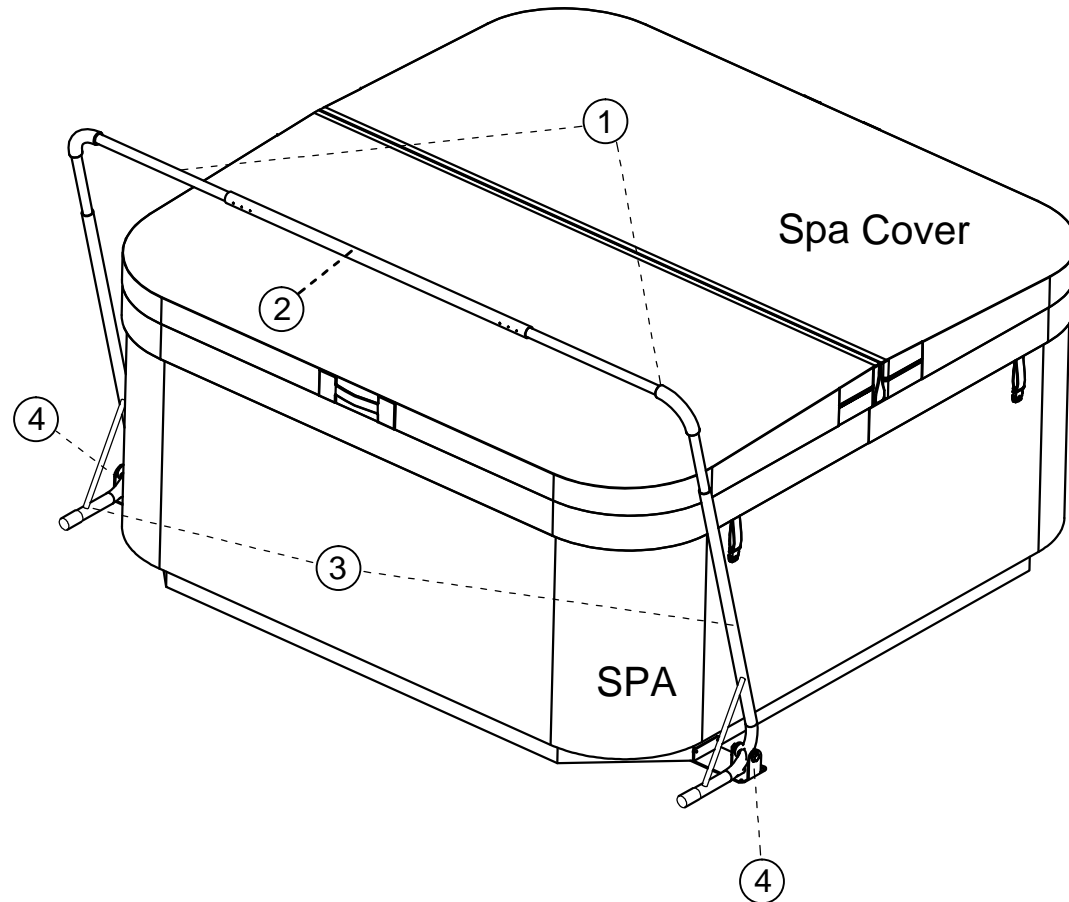
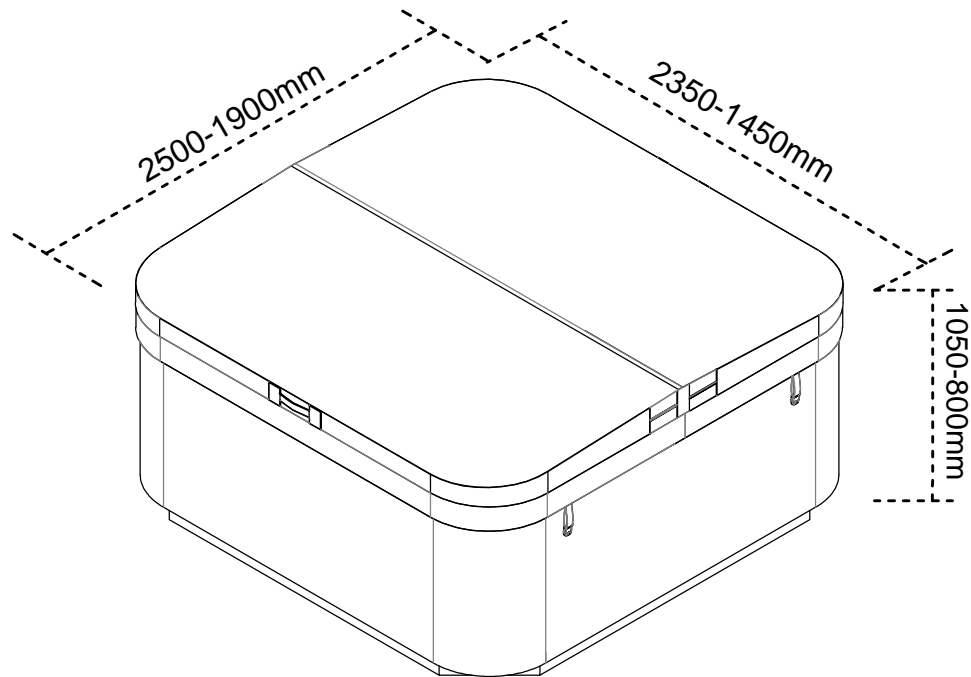


List Of Contents:

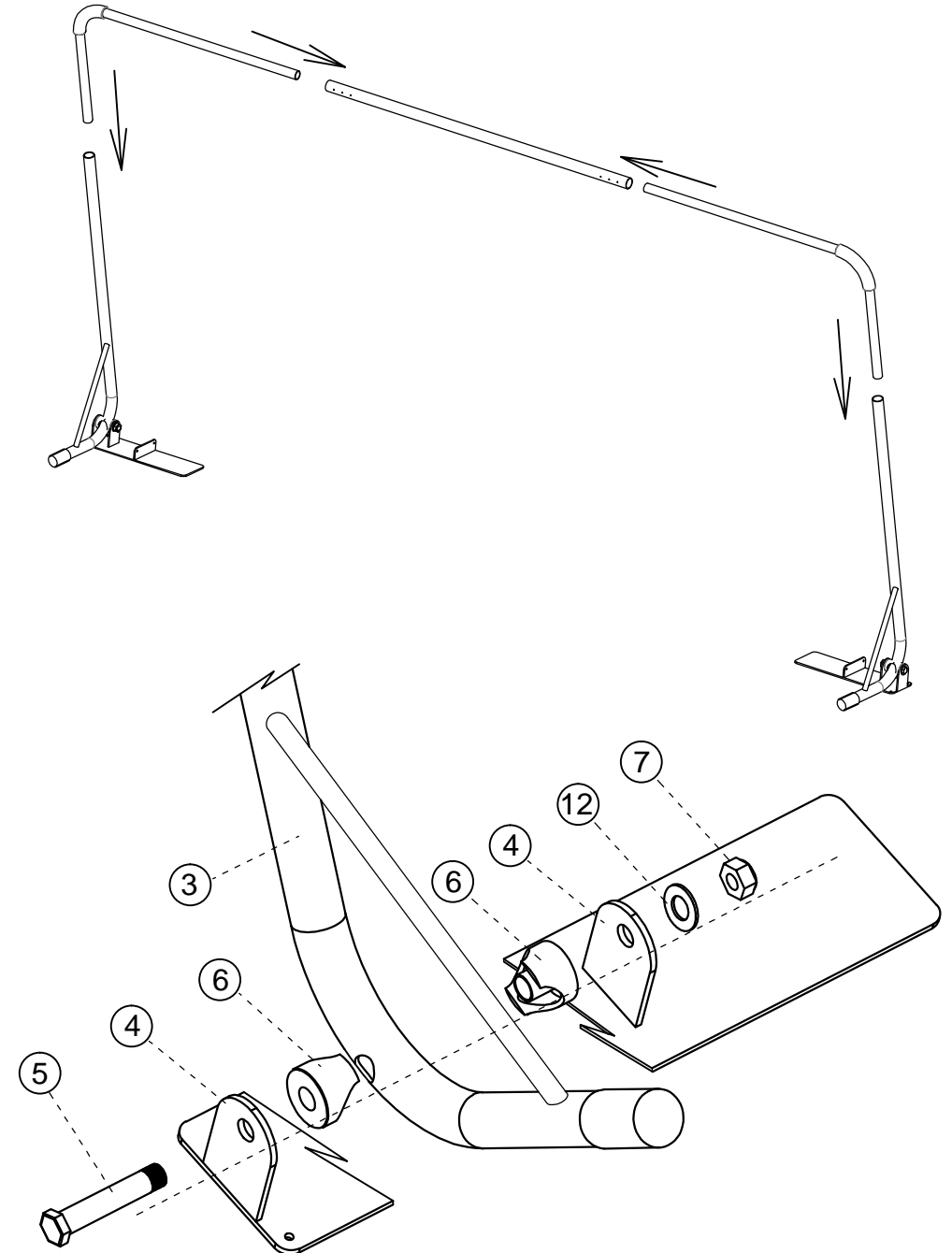
NO	QTY	Shape / name	NO	QTY	Shape / name
①	2	 27 with cotton elbow	⑬	1	 Cross Mark Head
②	1	 32 straight tubes	⑭	1	$\text{Ø}3.2$  3.2 Drill bit
③	2	 32 elbow			
④	2	 Base			
⑤	2	10X80  M10 Machine wire			
⑥	4	 Sleeve			
⑦	2	$\text{Ø}10$  M10 Nuts			
⑧	14+2	5X20  5*20 Mechanical wires			
⑨	22+4	 Screw cap			
⑩	8+2	5X30  5*30 Mechanical wires			
⑪	1	 Hook			
⑫	2	$\text{Ø}30$  Cutting			



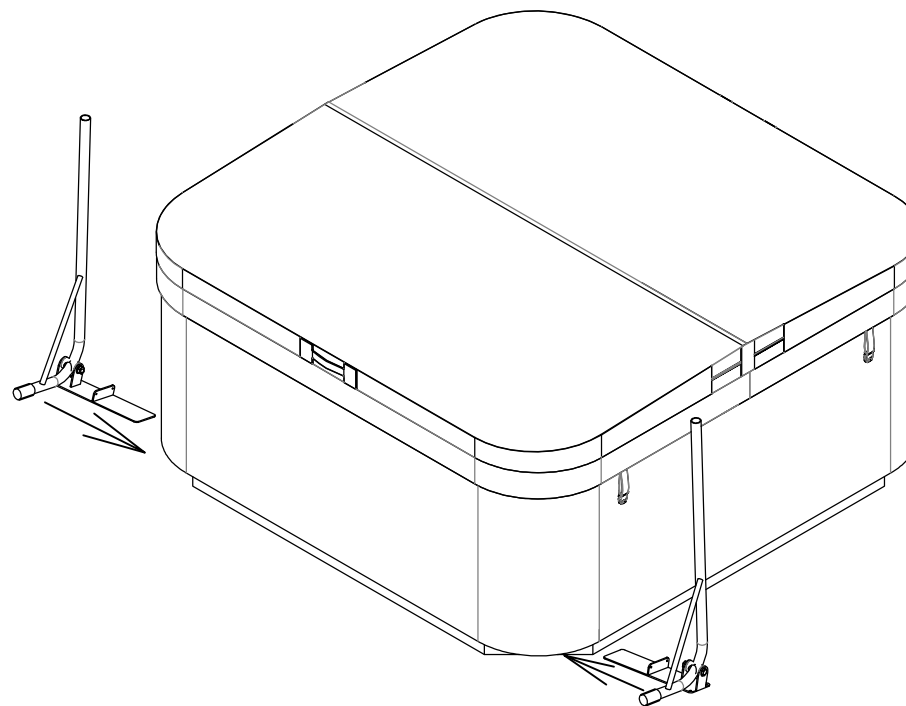
Available dimension :



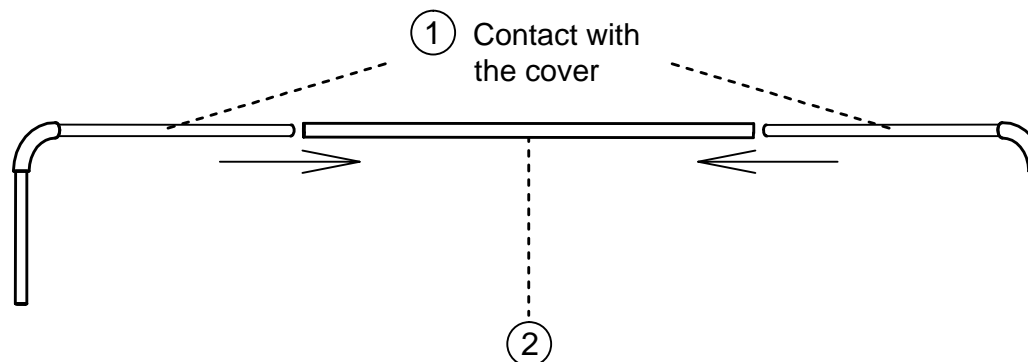
Assembly drawing :



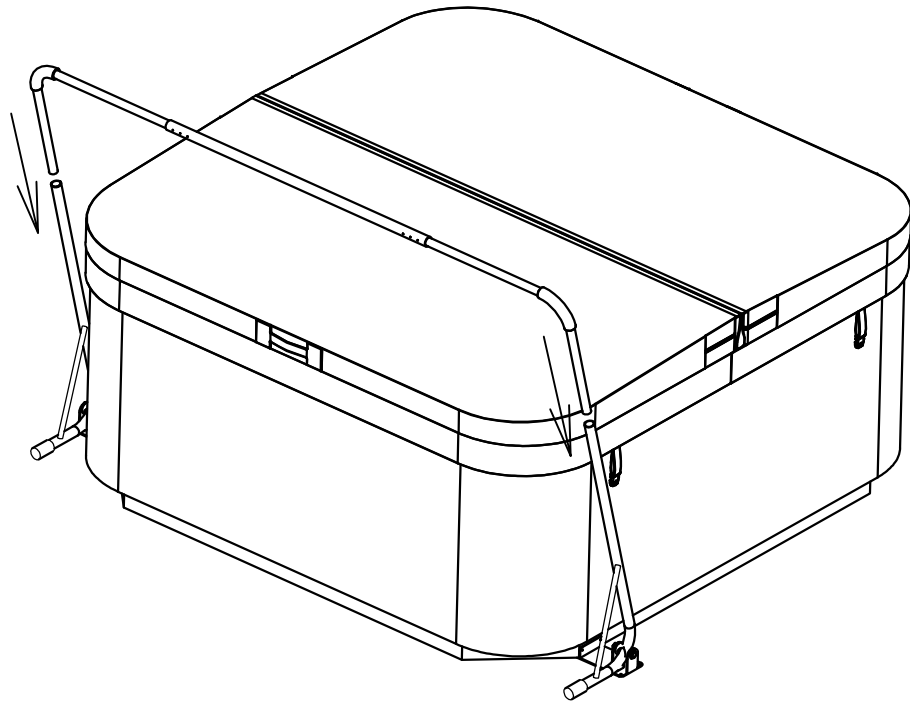
Installation steps One: Arrange the bottom position



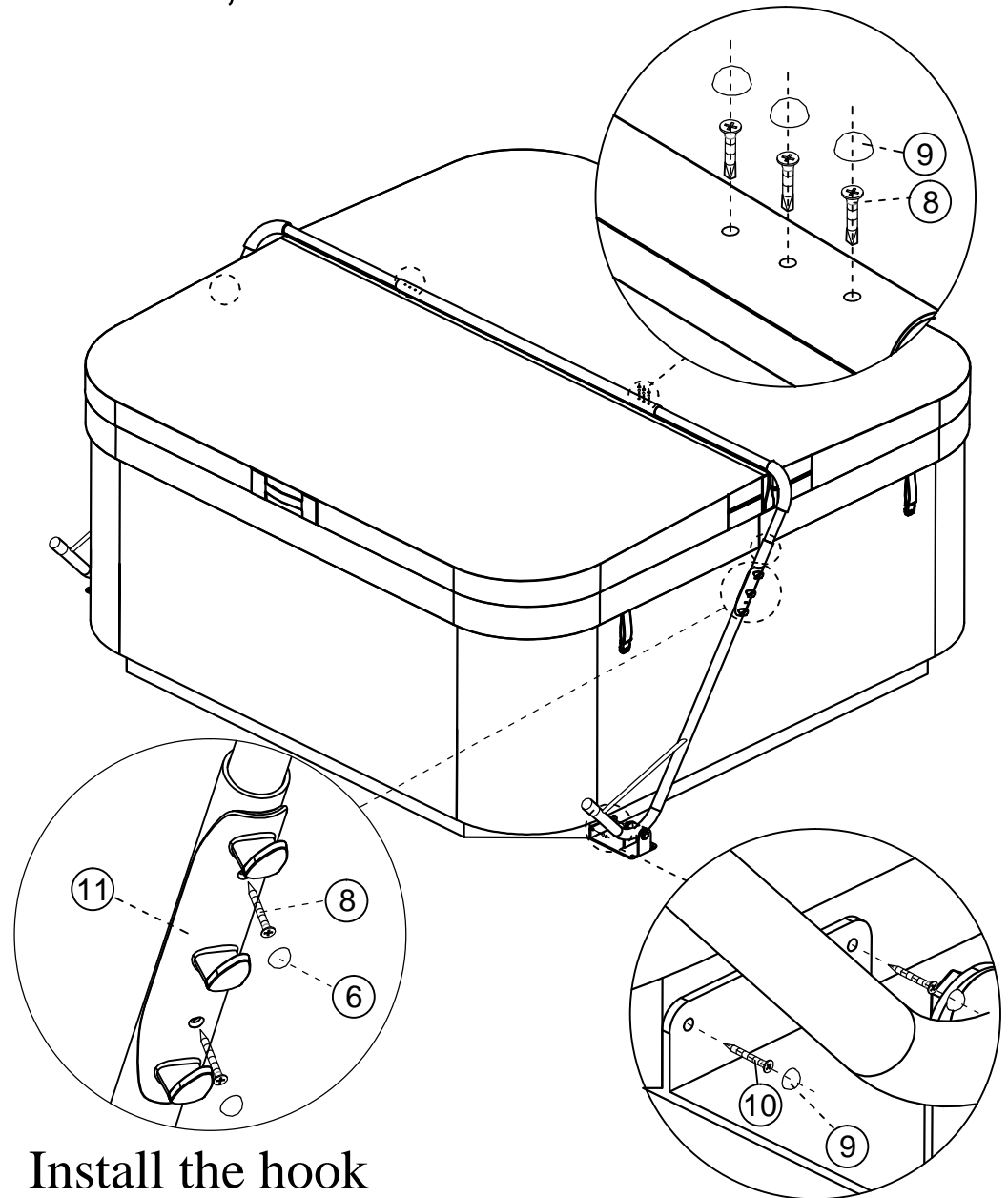
Installation steps Two: Install the stents on both sides respectively



Installation steps three: lock the stents onto the spa



Installation steps four: Locate the lifter, and lock screws



Install the hook