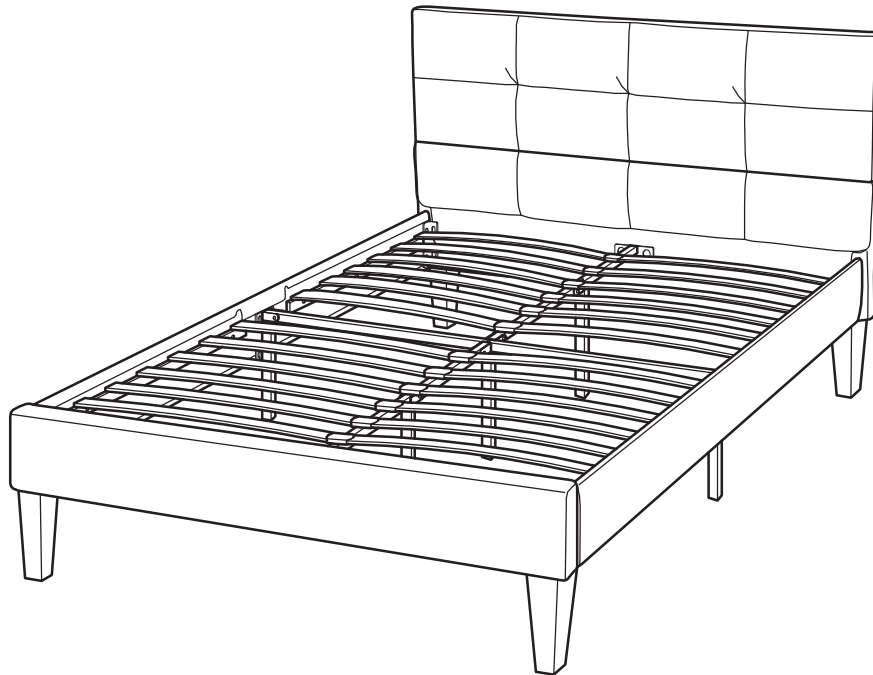


QUEEN SIZE
ASSEMBLY INSTRUCTIONS



DO NOT RETURN PRODUCT TO THE STORE

individual stores do not stock parts.

If a part is missing or damaged, call our toll - free customer service line.

Need parts or assistance?

Please call :

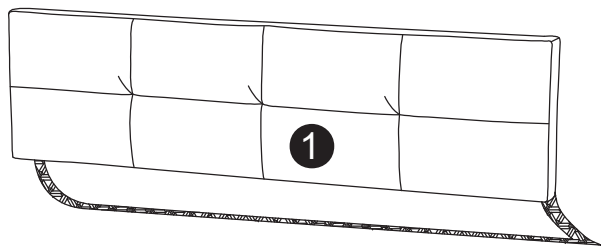
866-626-7826

For prompt, reliable service; please have your assembly manual ready.

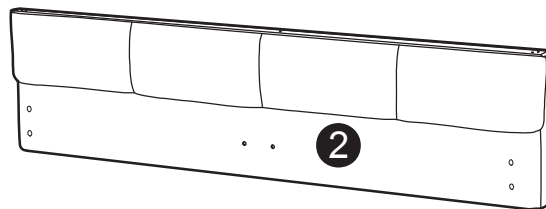
WARNING

- This product has been designed for sleeping two (2) average adults. To prevent injury and damage to this unit, PROHIBIT jumping on it.
- This product is designed for home use and not intended for commercial use.
- Children under the age of 5, small infants and babies should not sleep alone on this product for safety reasons.
- Recommended # of people needed for handling: 2 (however it is always better to have an extra hand.)
- THIS INSTRUCTION BOOKLET CONTAINS **IMPORTANT** SAFETY INFORMATION. PLEASE READ AND KEEP FOR FUTURE REFERENCE.

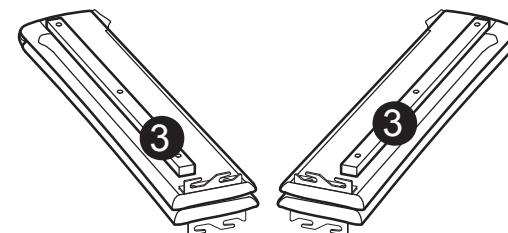
PARTS



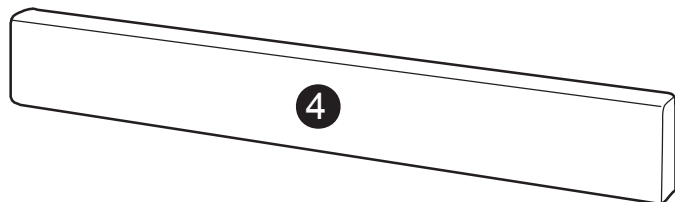
Part 1
QTY:1



Part 2
QTY:1



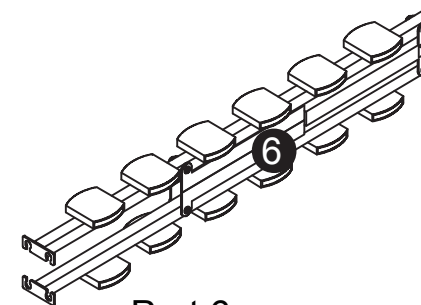
Part 3
QTY:2



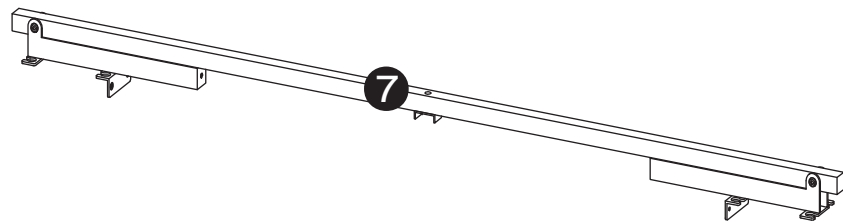
Part 4
QTY:1



Leg
QTY : 4



Part 6
QTY:1

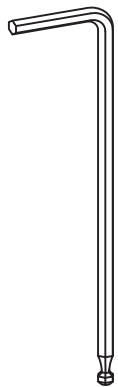


Part 7
QTY:1



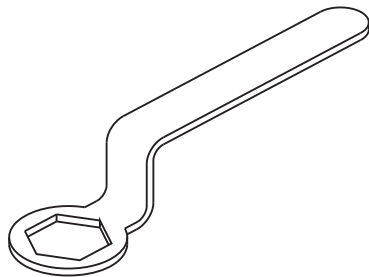
Part 8
QTY:4

HARDWARE



A

Allen Key
M5
QTY : 1 PC



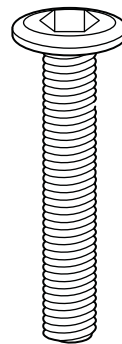
B

Spanner
14mm
QTY : 1 PC



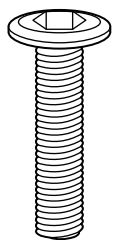
C

Threaded Rod
M8 x 50mm
QTY : 5 PCS



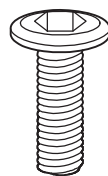
D

Bolt
M8 X 40mm
QTY : 3 PCS



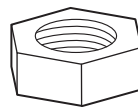
E

Bolt
M8 x 25MM
QTY : 12 PCS
(PRE-ASSEMBLED)



F

Bolt
M8 x 20MM
QTY : 8 PCS
(PRE-ASSEMBLED)



G

Nut
M8
QTY : 5 PCS



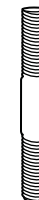
H

Washer
M8 x Φ20
QTY : 5 PCS
(PRE-ASSEMBLED 20 PCS)

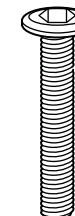
Spare part list



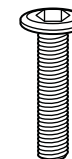
A
x 1



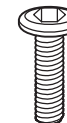
C
x 1



D
x 1



E
x 1



F
x 1

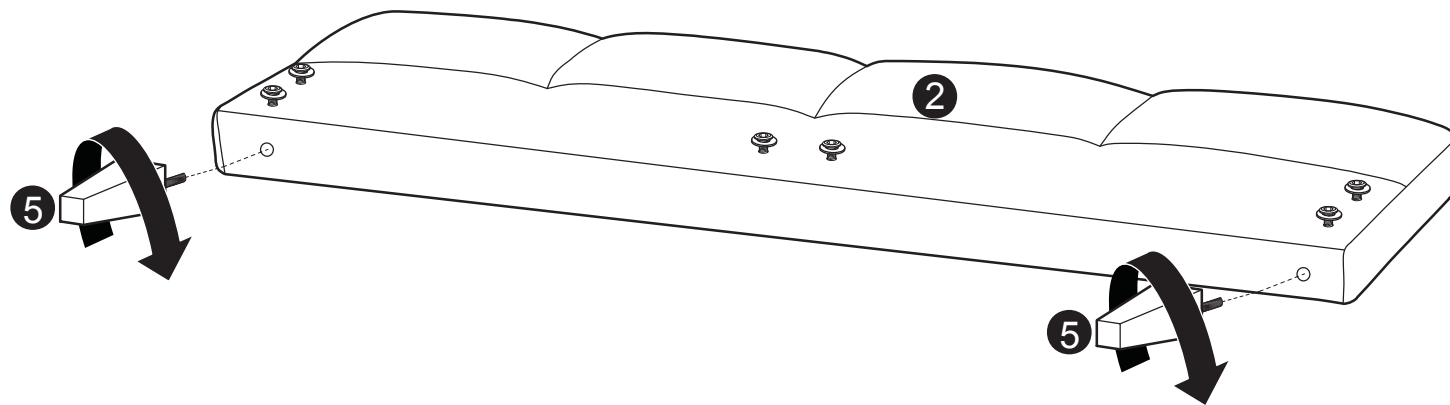
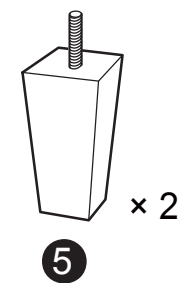


G
x 1

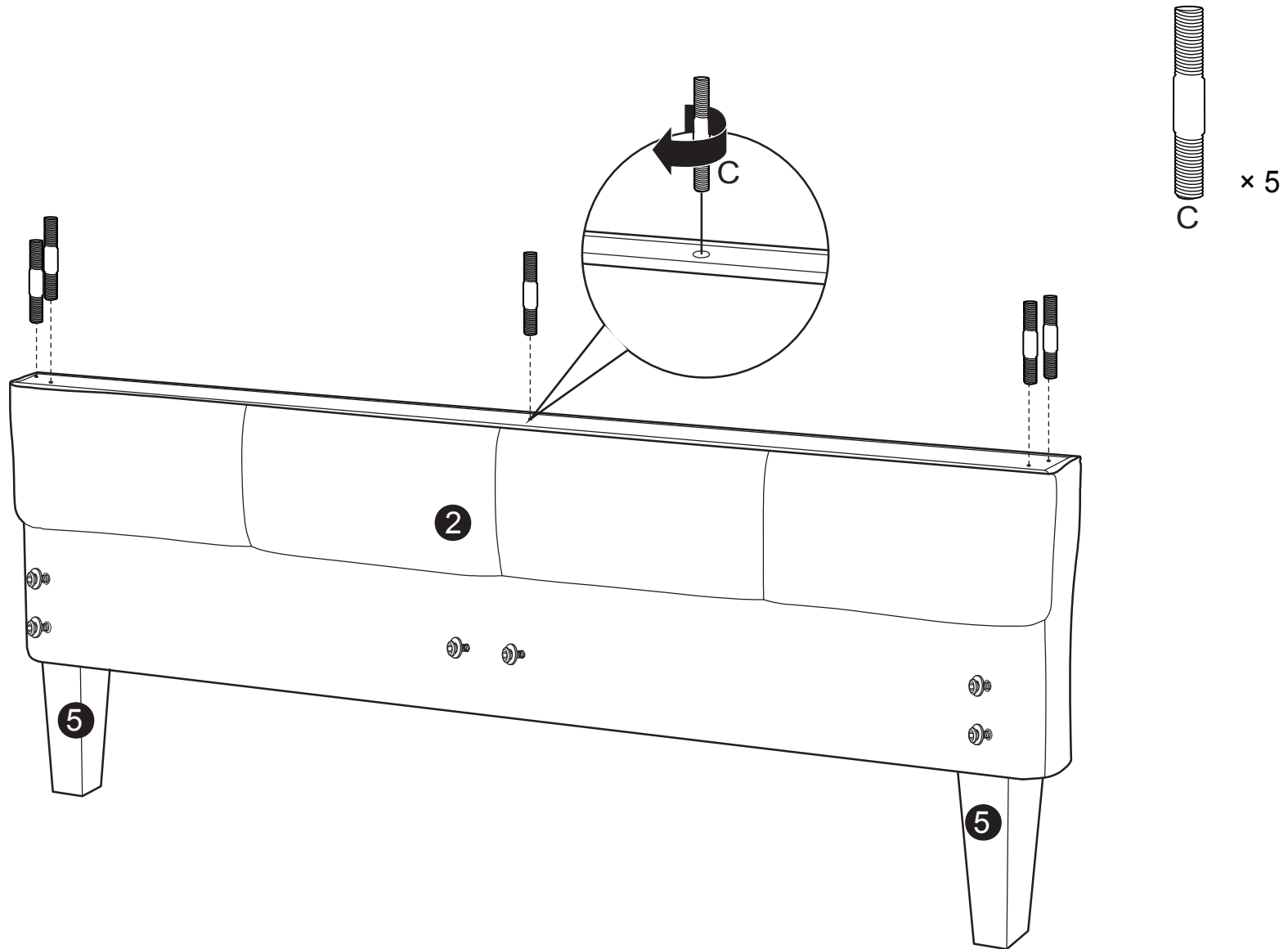


H
x 1

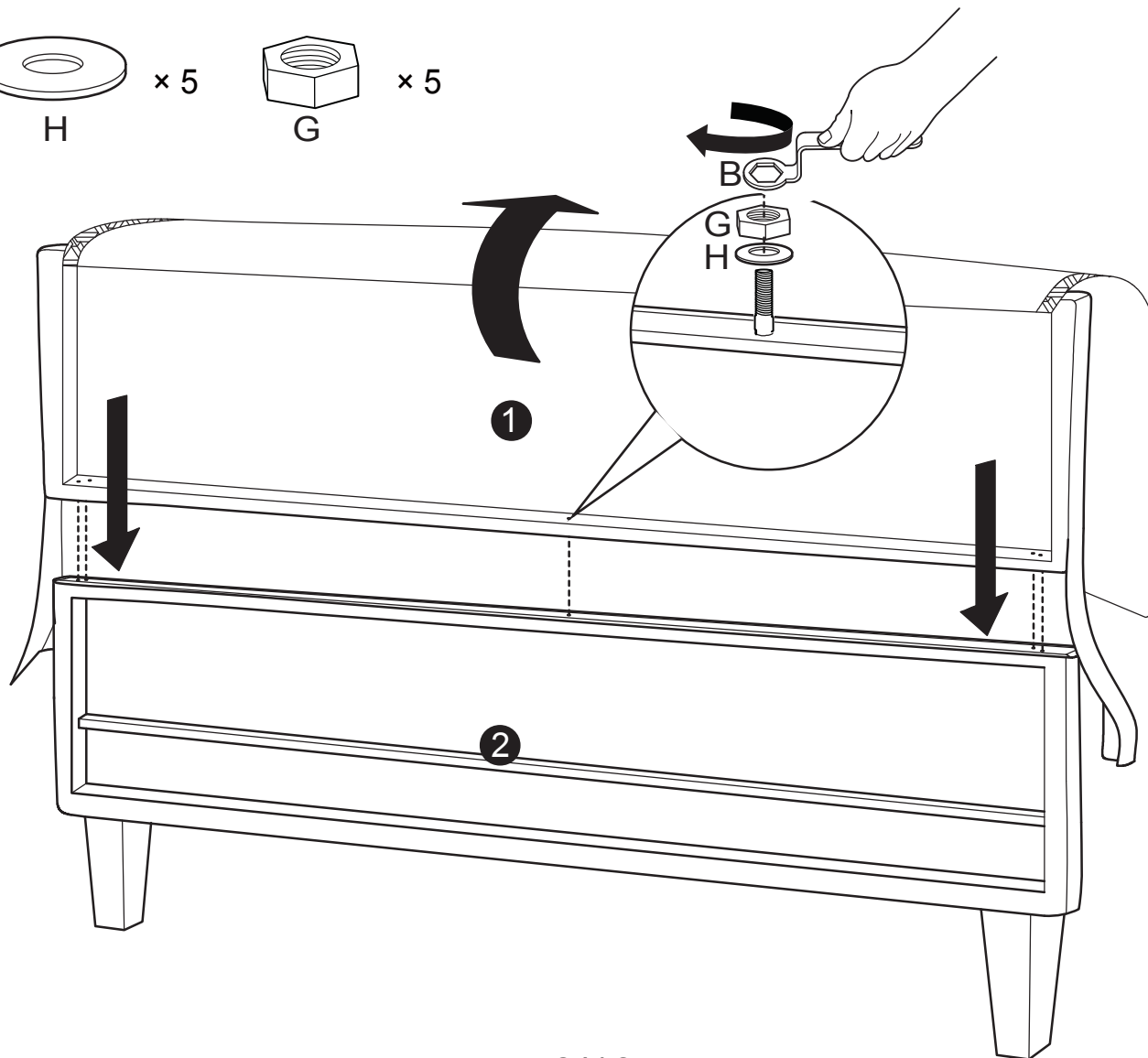
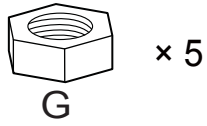
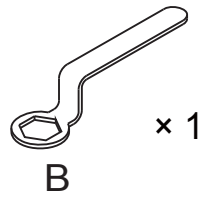
Step 1 :



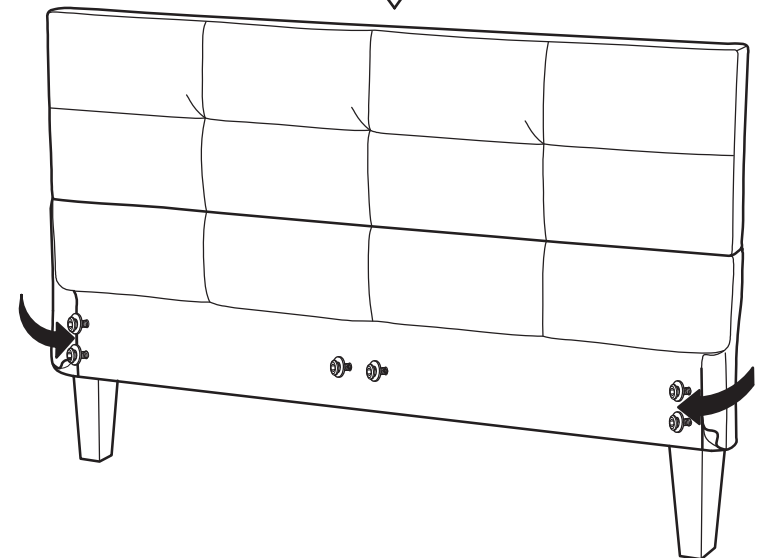
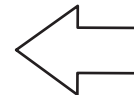
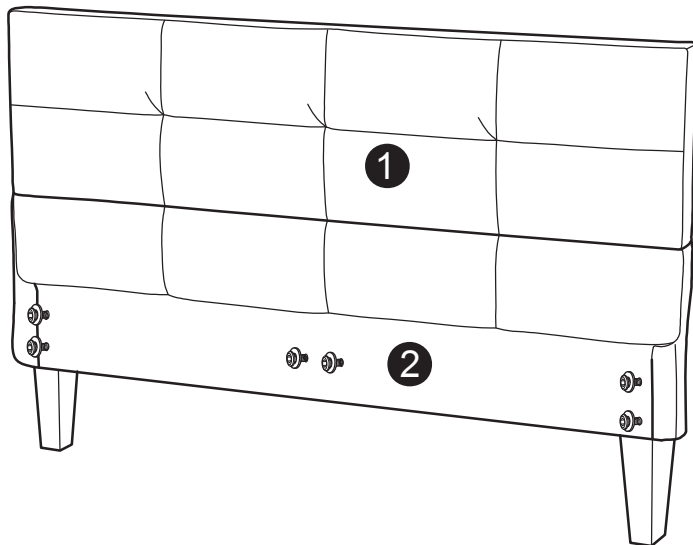
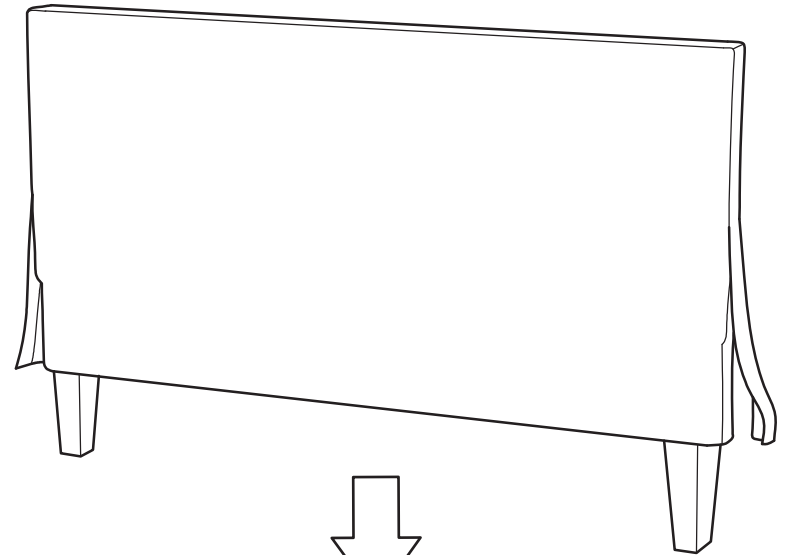
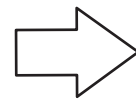
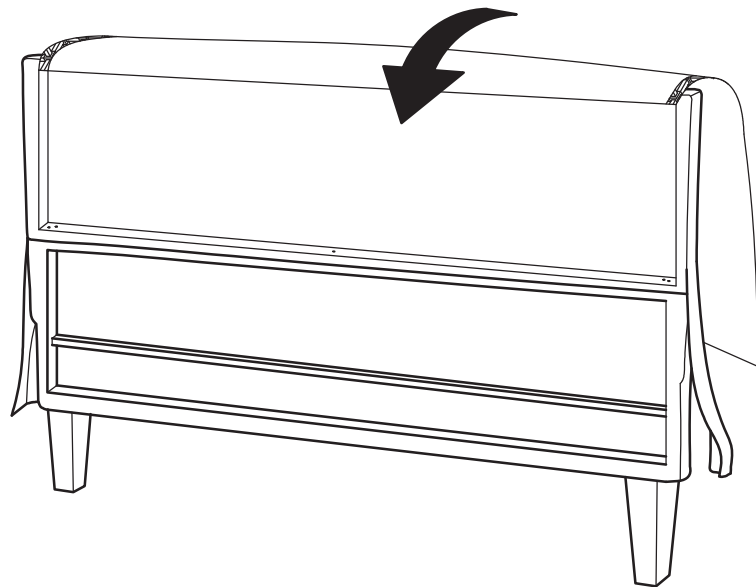
Step 2 :



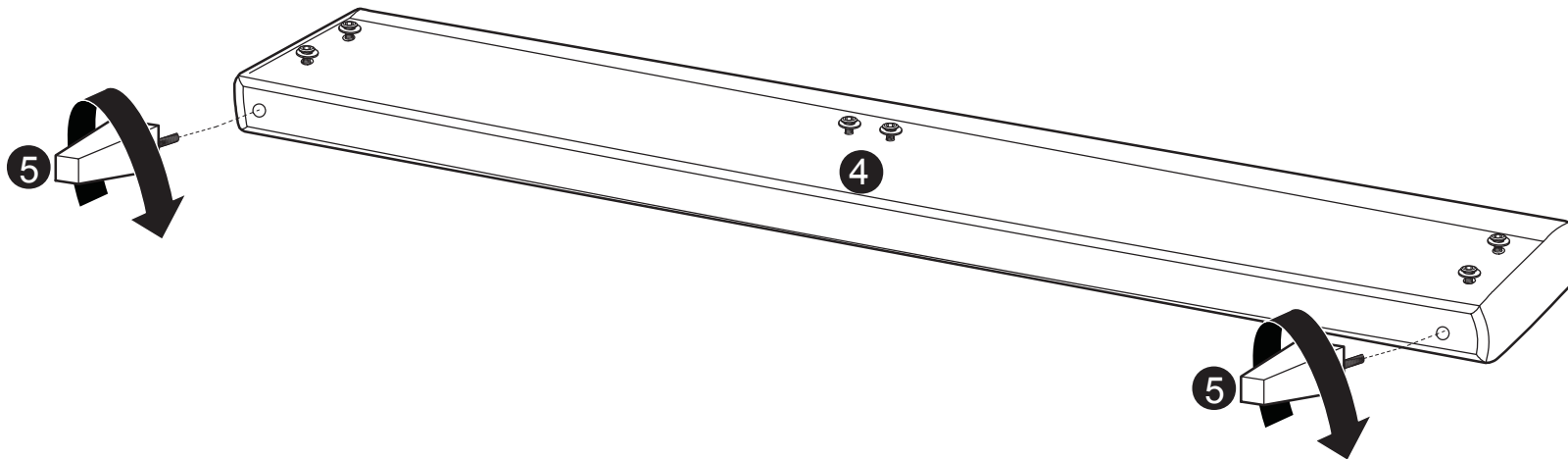
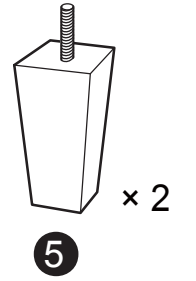
Step 3 :



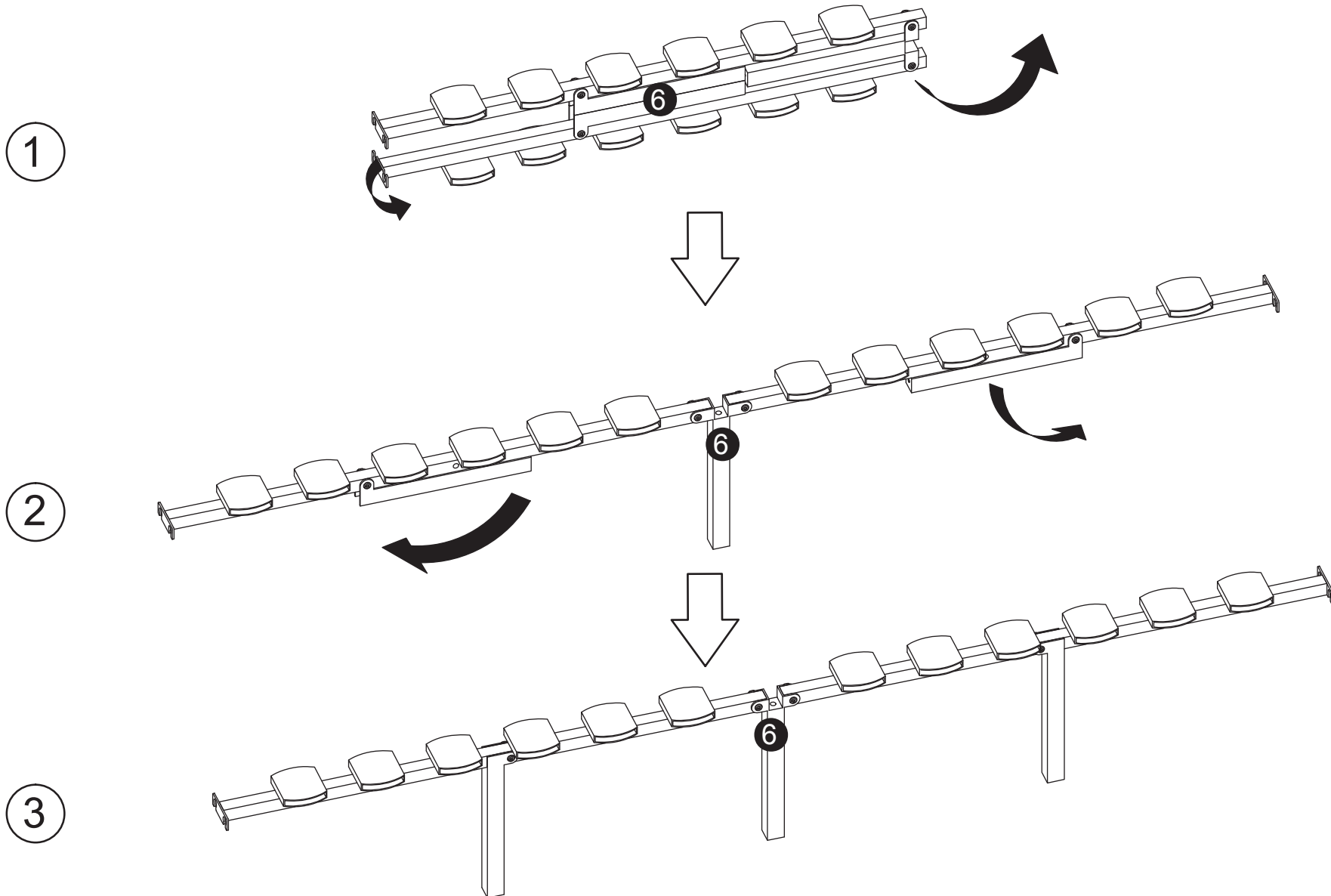
Step 4 :



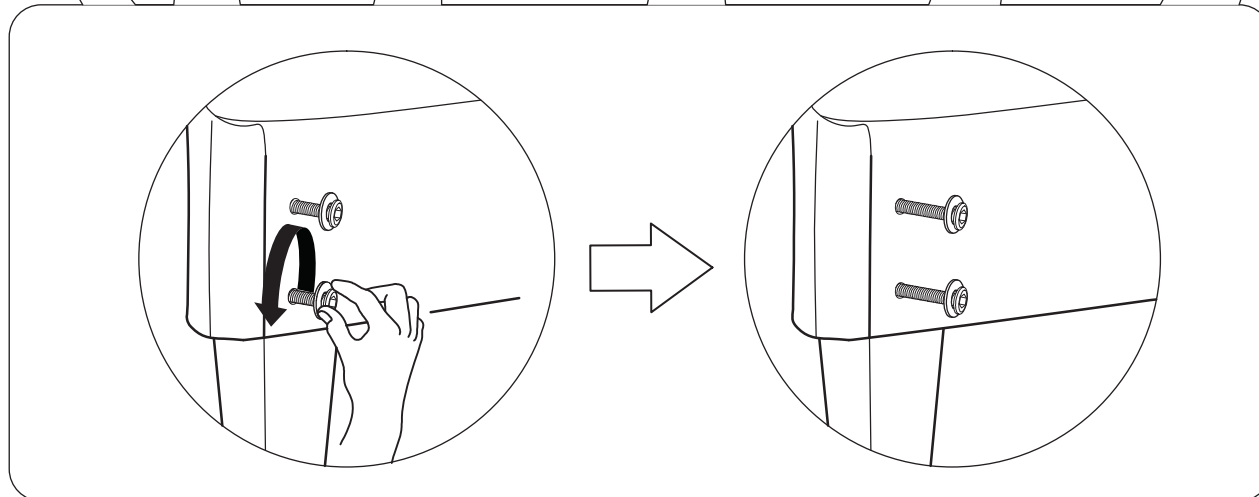
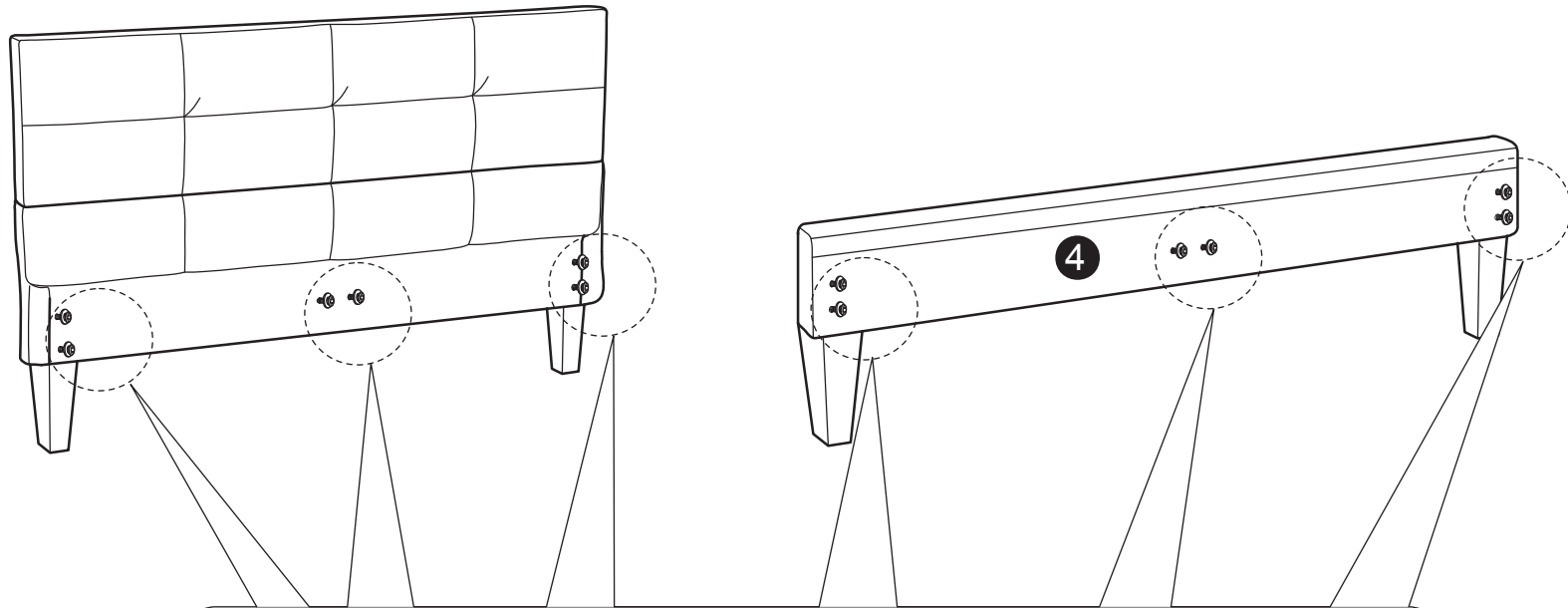
Step 5 :



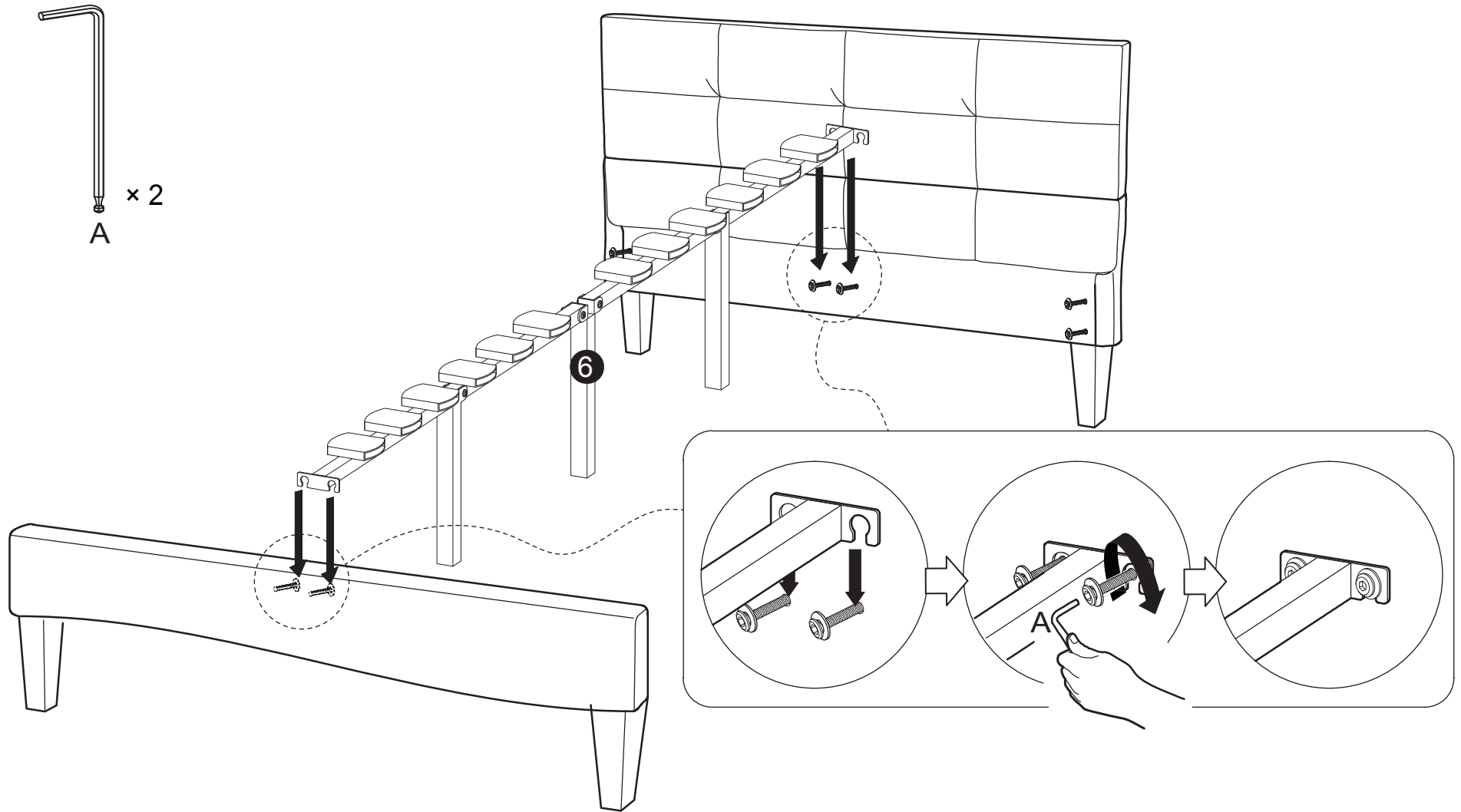
Step 6 :



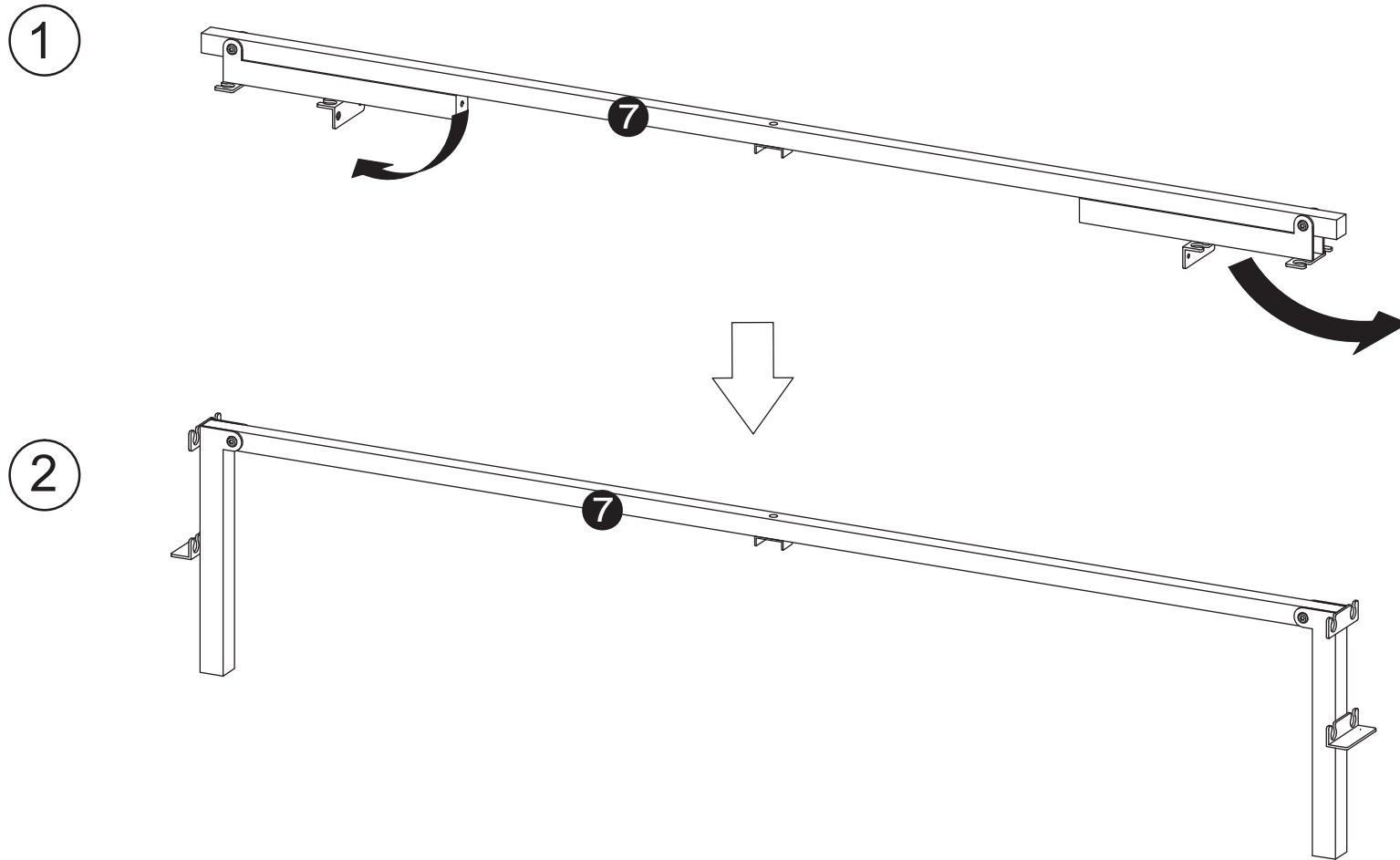
Step 7 :



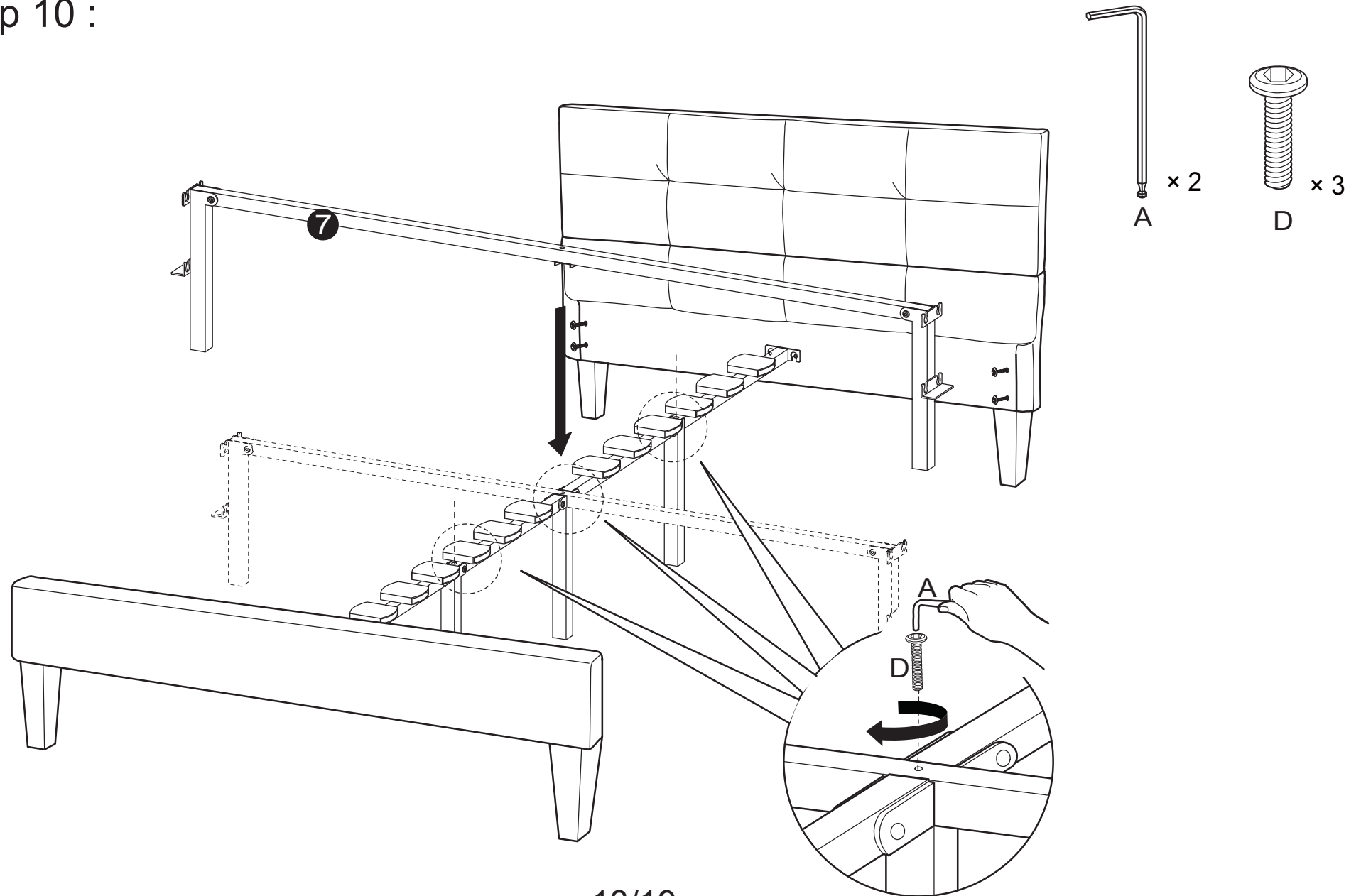
Step 8 :



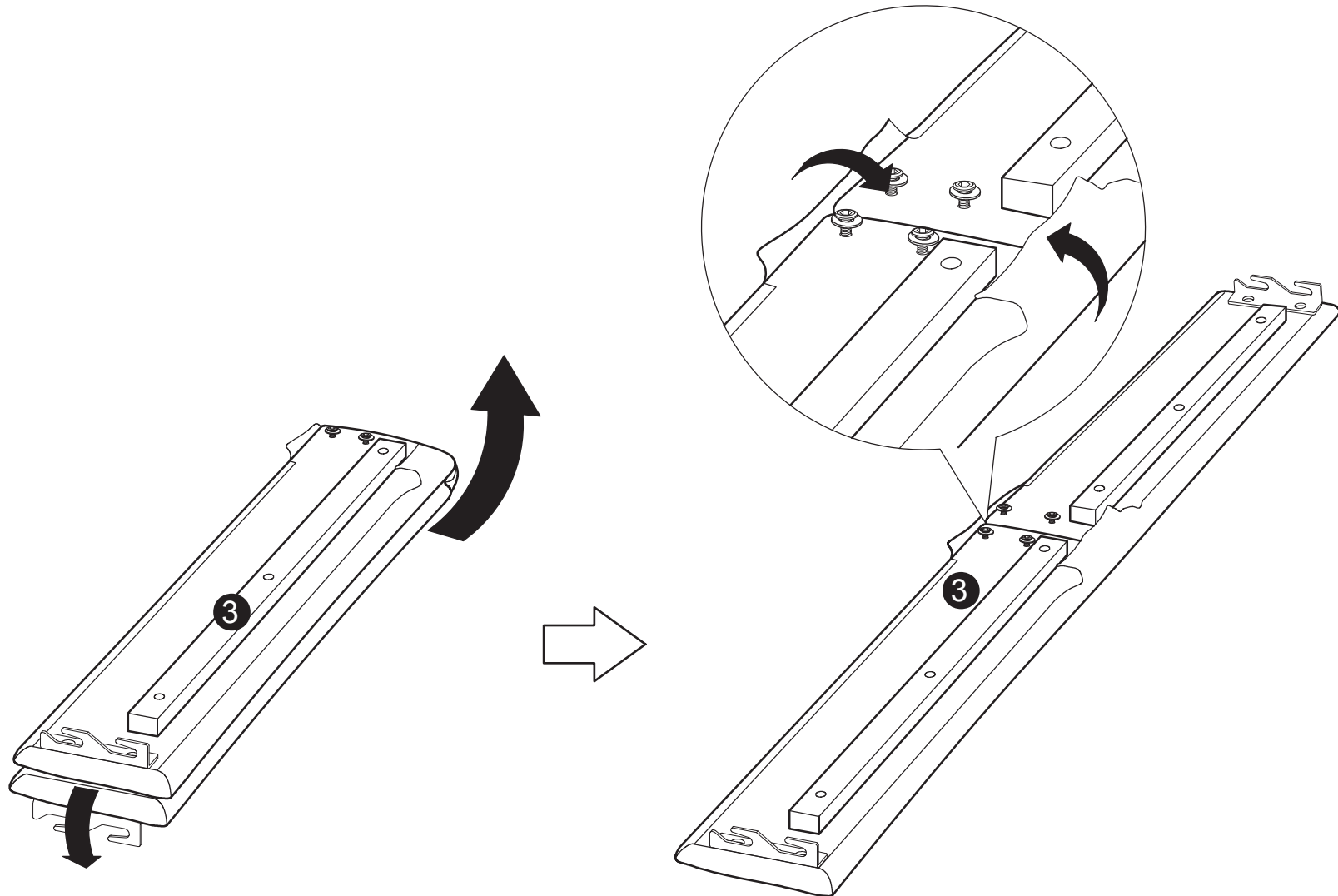
Step 9 :



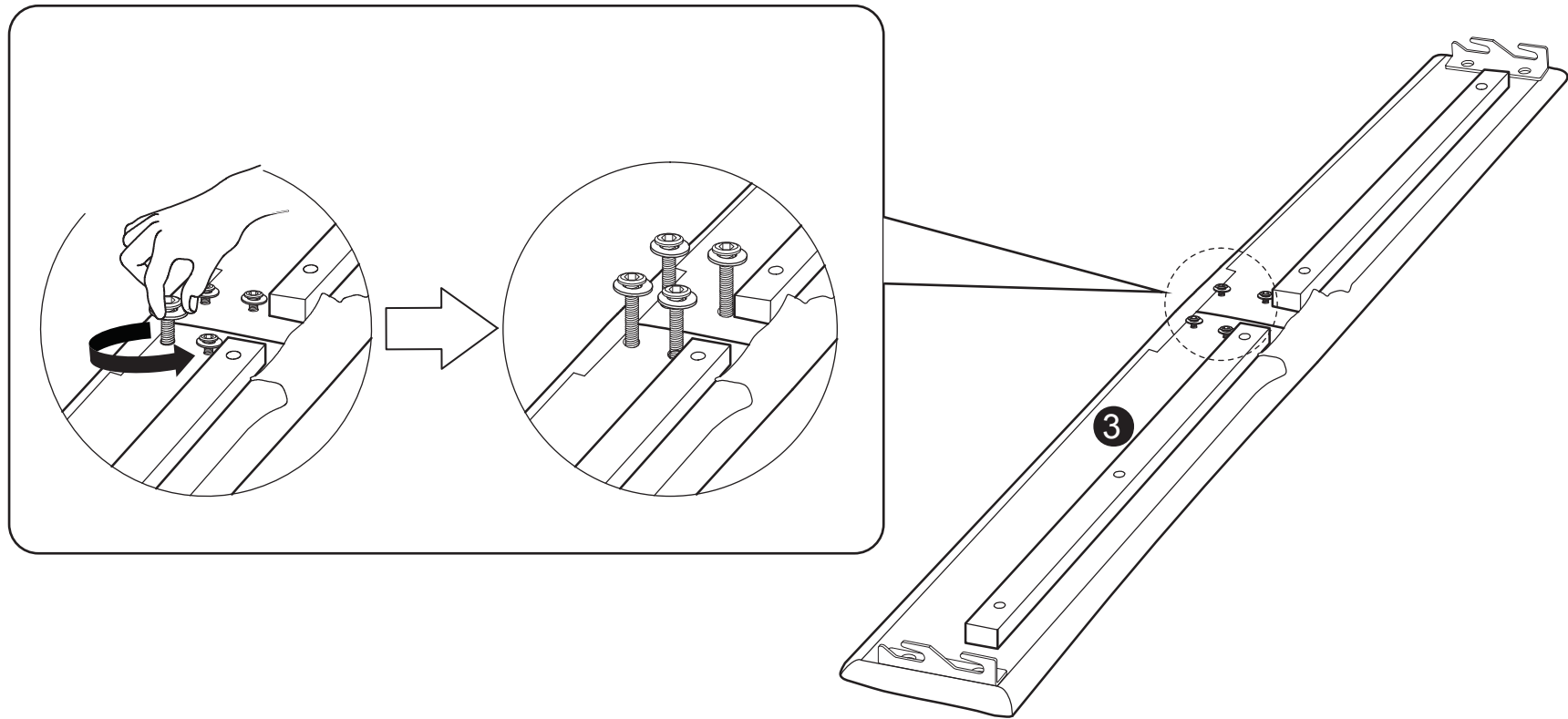
Step 10 :



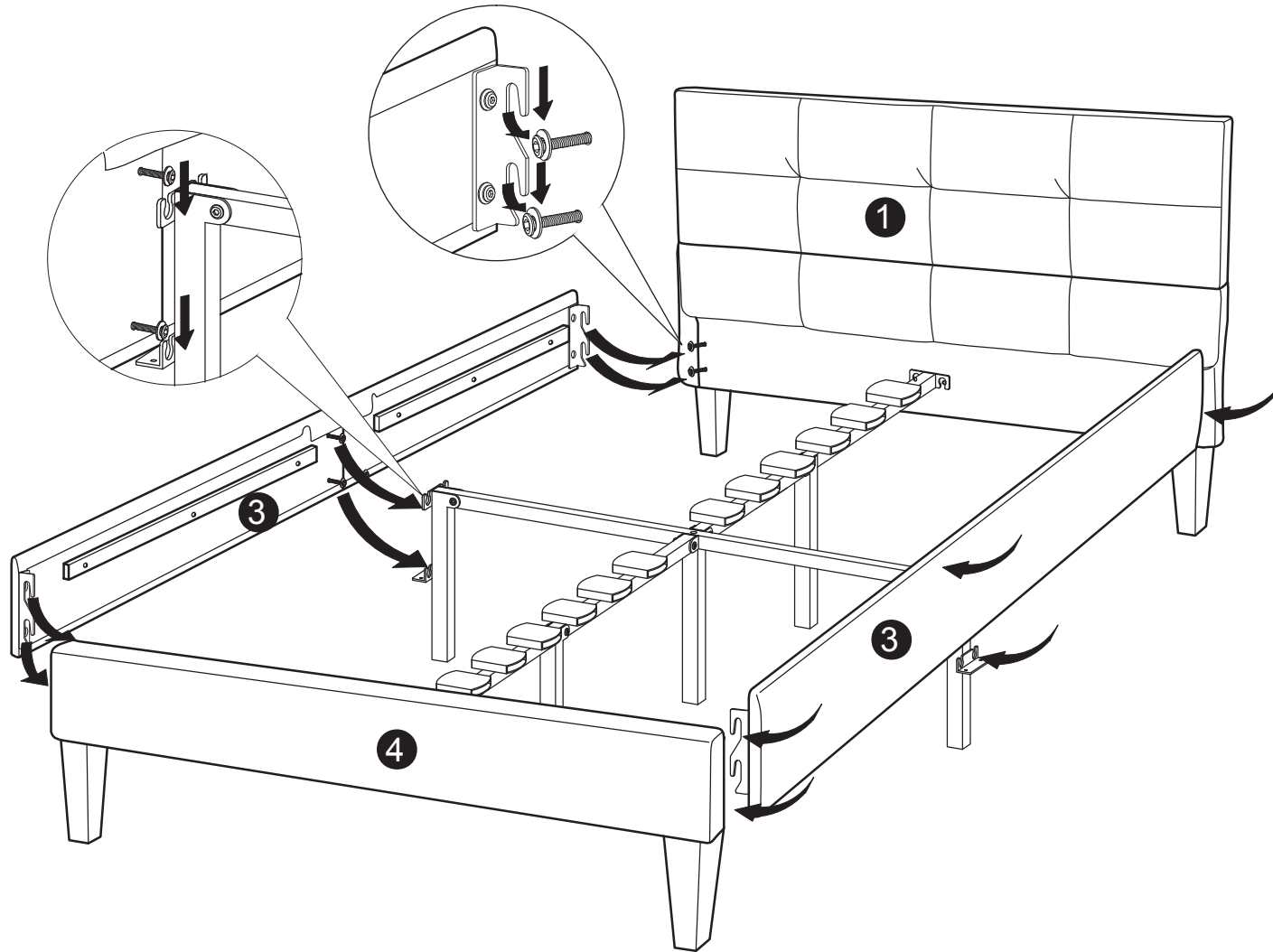
Step 11 :



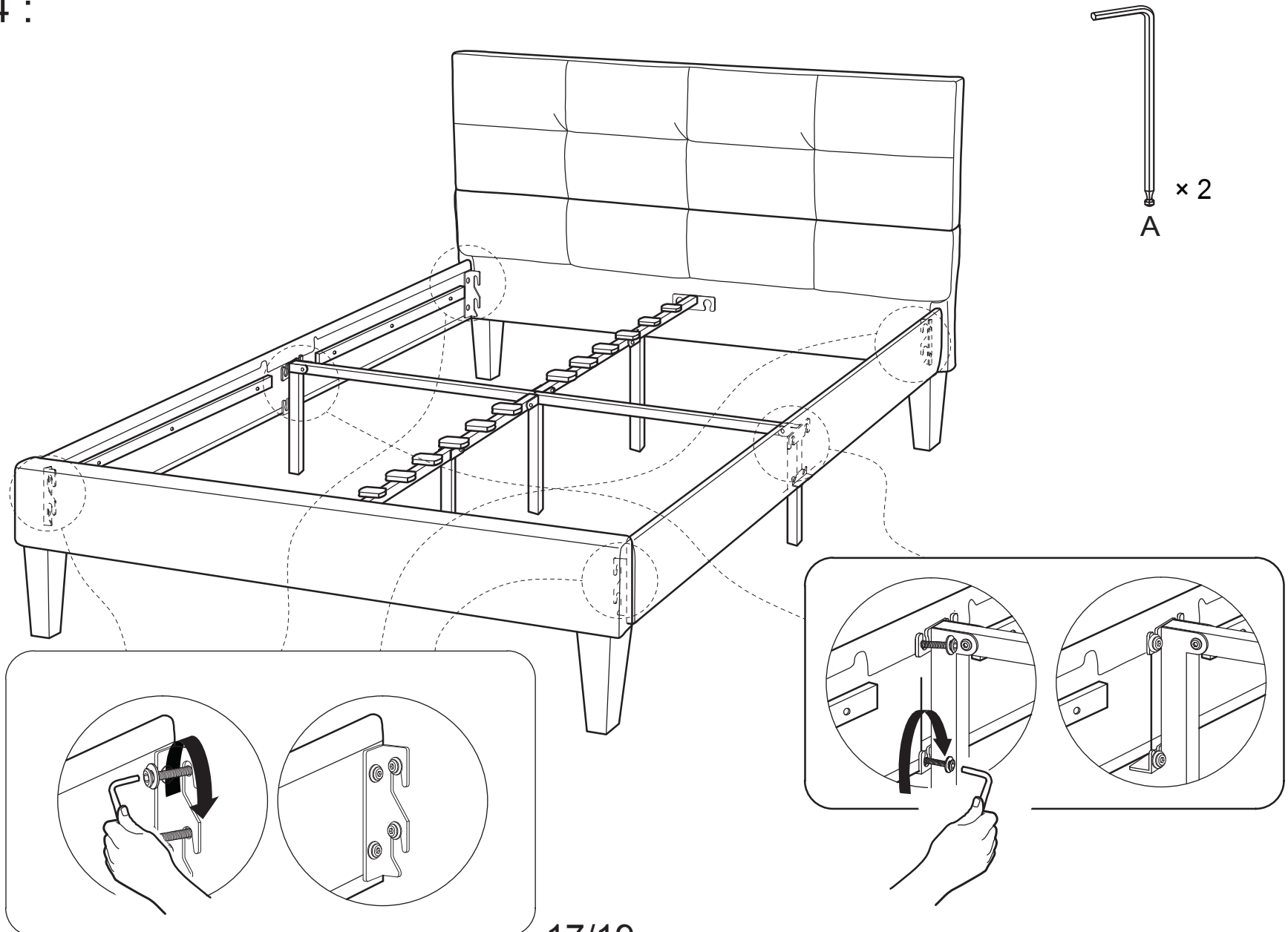
Step 12 :



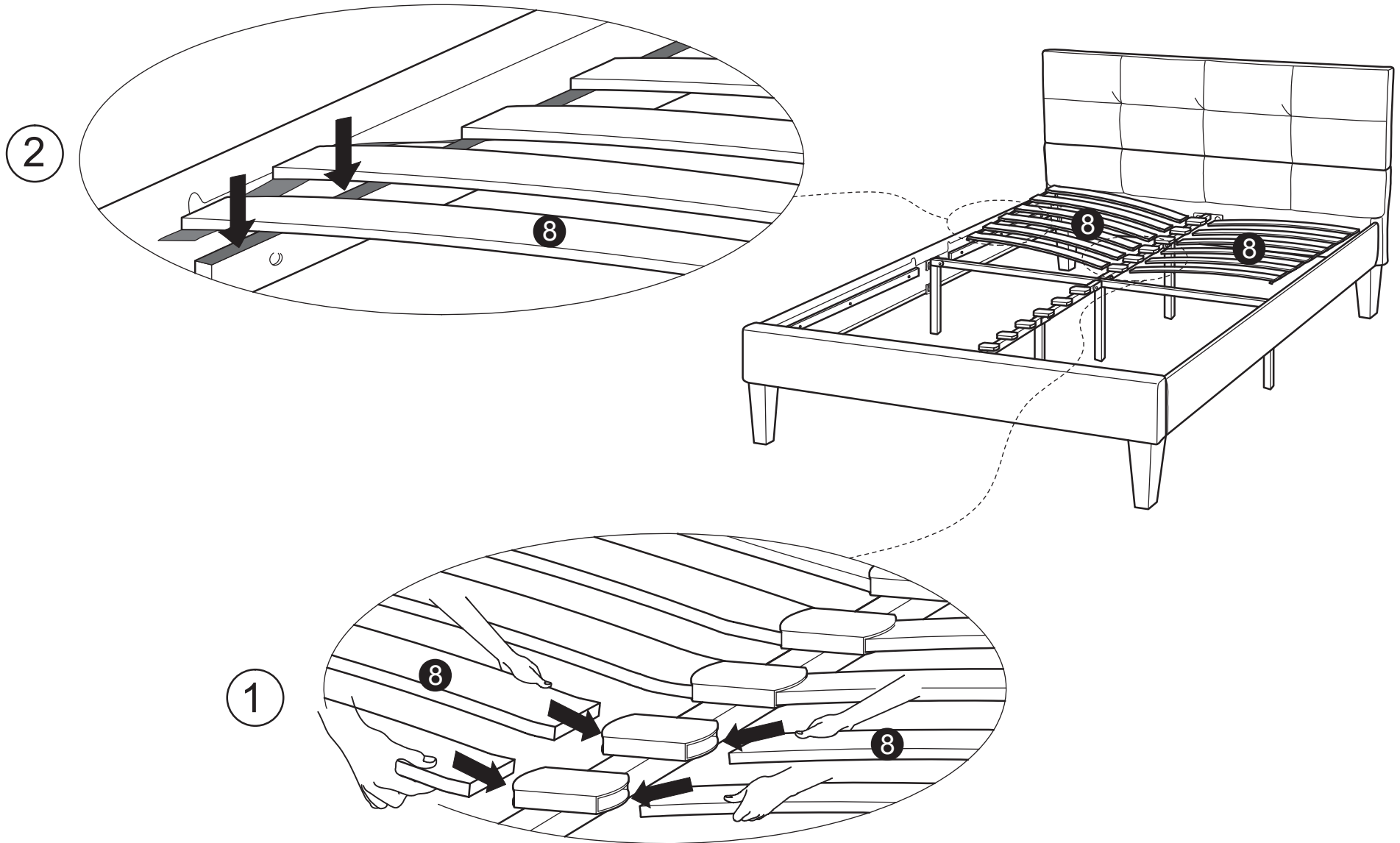
Step 13 :



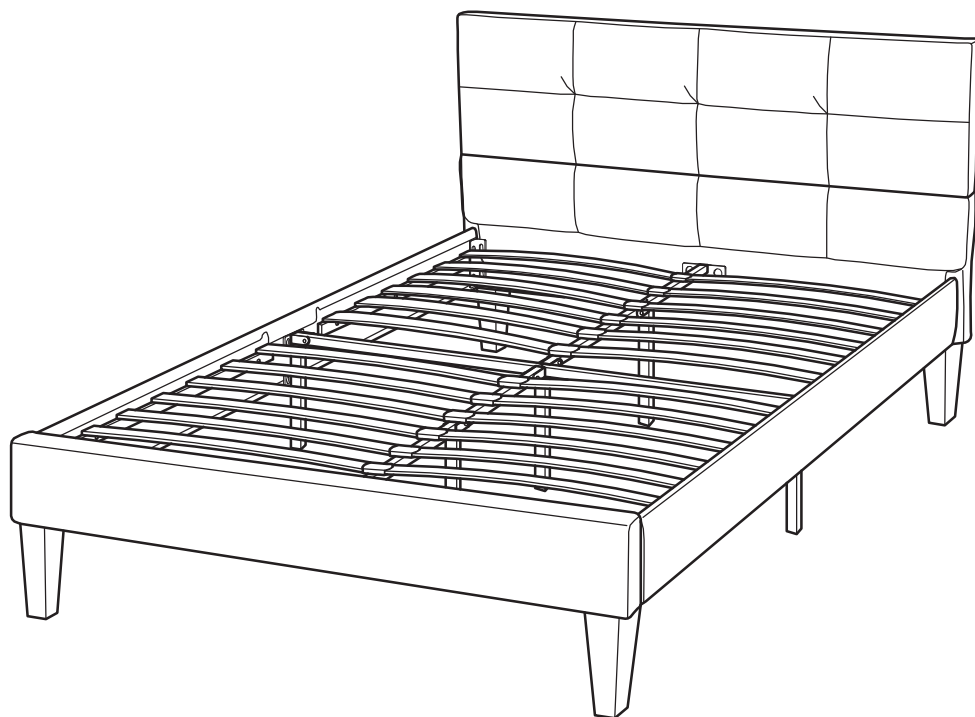
Step 14 :



Step 15 :



INSTALLATION COMPLETE :



FUNCTION :

