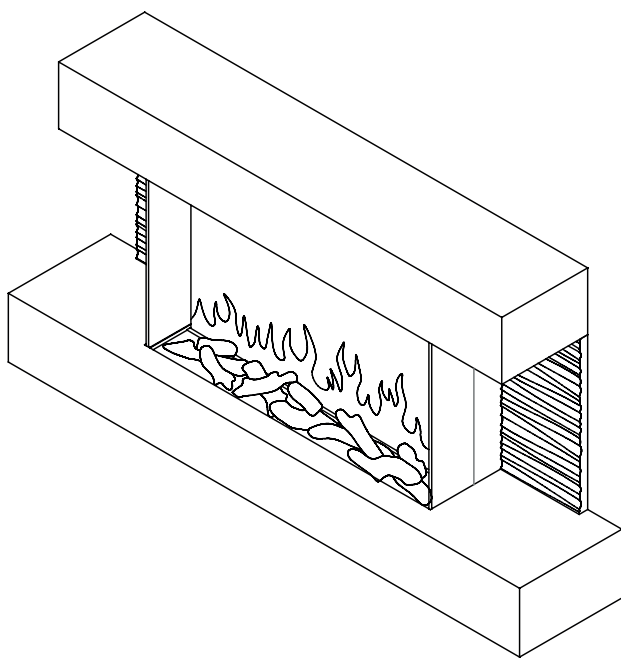


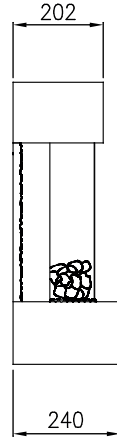
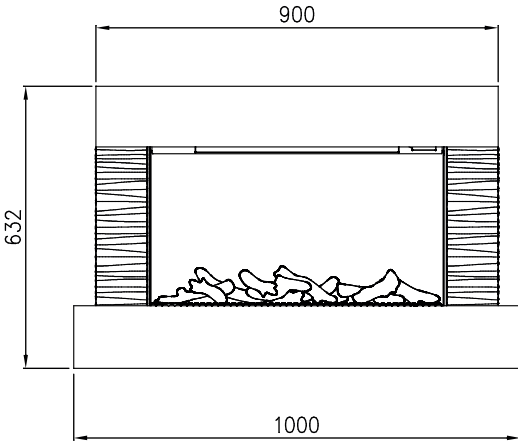
# FIREPLACE MANTEL

## ASSEMBLY INSTRUCTIONS

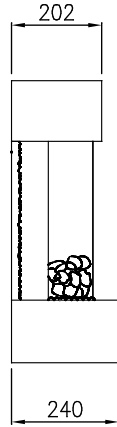
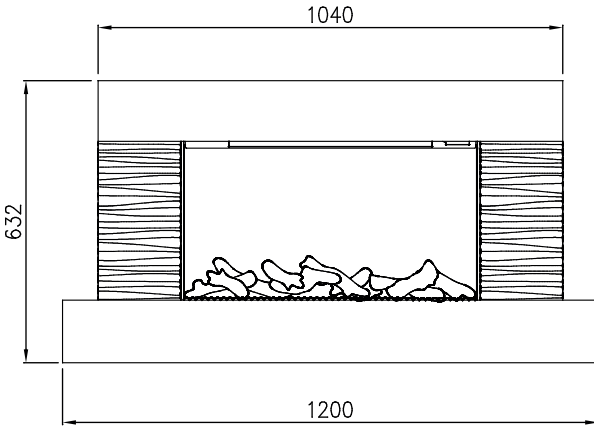


# APPLIANCE DIMENSIONS

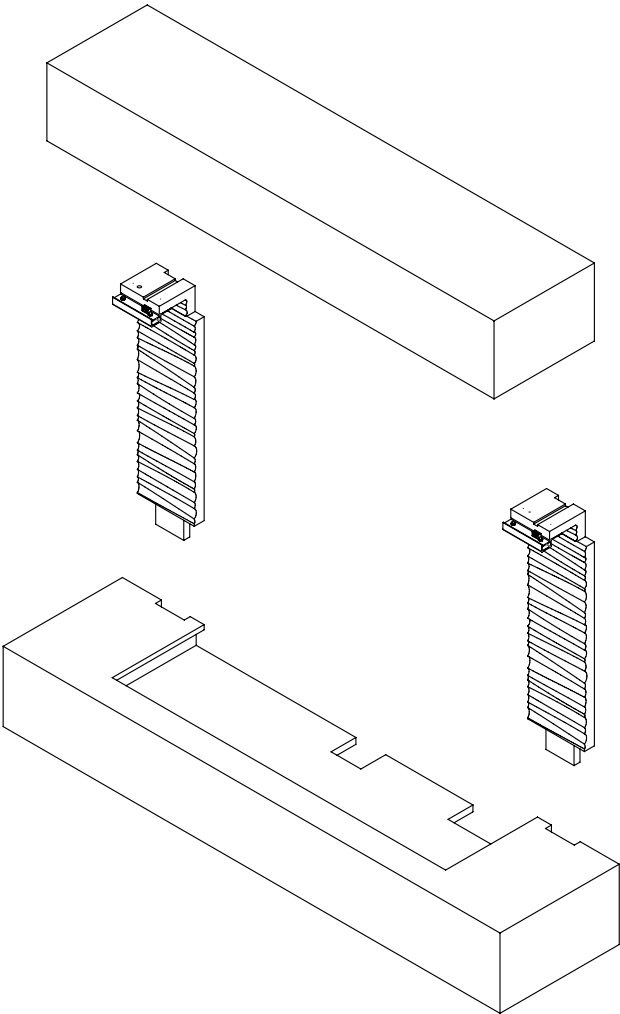
**UNIT : mm**



**UNIT : mm**



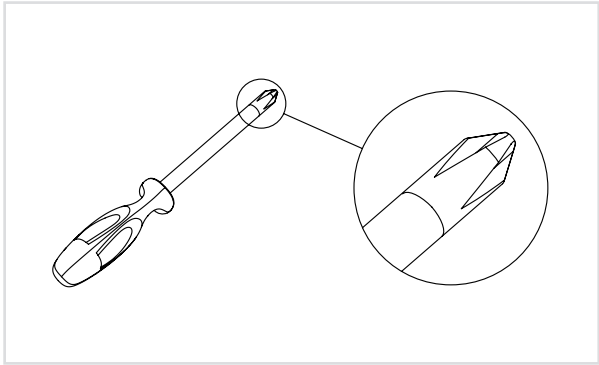
# PARTS LIST







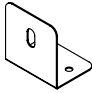
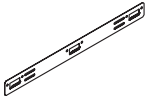
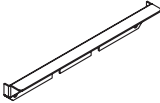
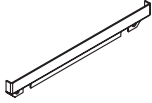


# PARTS AND ACCESSORIES

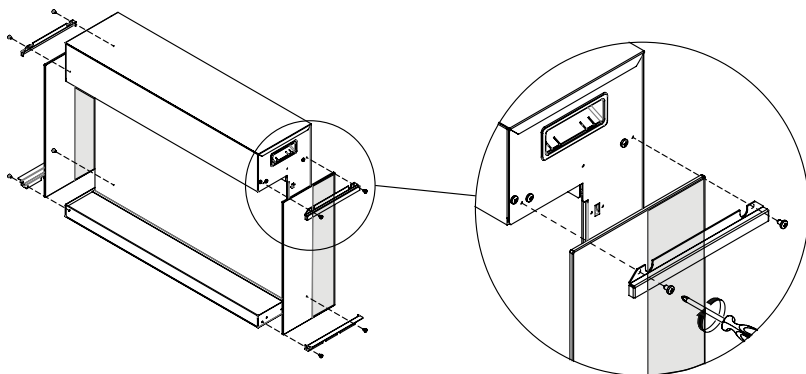
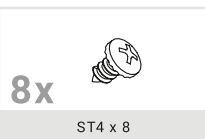
**Tools required:**

A screwdriver will be needed.



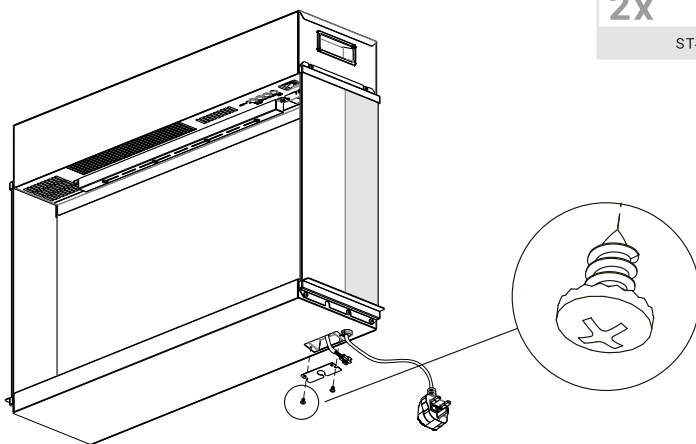
<p><b>12x</b></p>  <p>ST4 x 8</p>	<p><b>2x</b></p>  <p>M5 x 25</p>	<p><b>4x</b></p> 
<p><b>7x</b></p>  <p>ST5x40</p>	<p><b>2x</b></p>  <p>M6 x 35</p>	<p><b>7x</b></p>  <p>∅ 8 x 40 mm</p>
<p><b>2x</b></p> 	<p><b>1x</b></p> 	<p><b>1x</b></p> 
<p><b>2x</b></p> 	<p><b>2x</b></p> 	

# 01



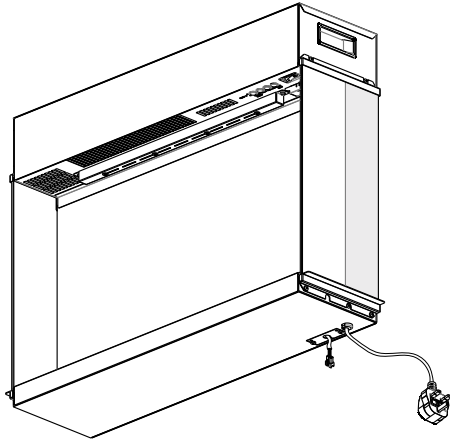
Carry out this assembly step on both sides

# 02



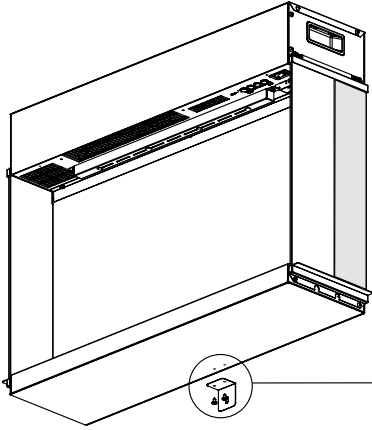
Open the cover on the base plate  
and remove the plug for the mood light.


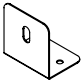
# 03

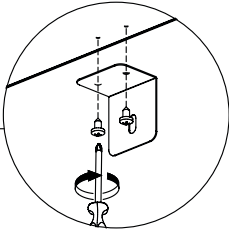


Insert the plug through the hole in the cover and reattach the cover

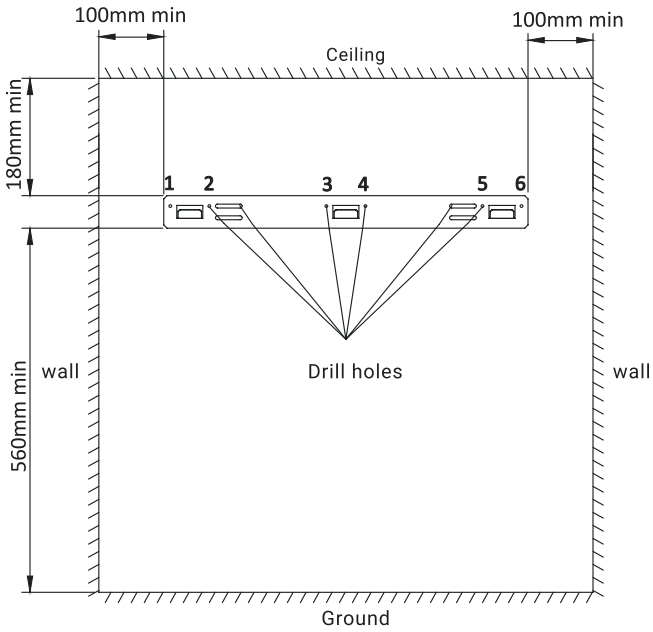
# 04



2x	
ST4 x 8	
1x	

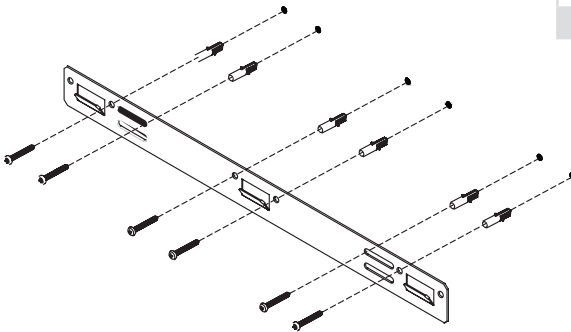
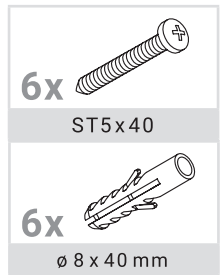


# 05

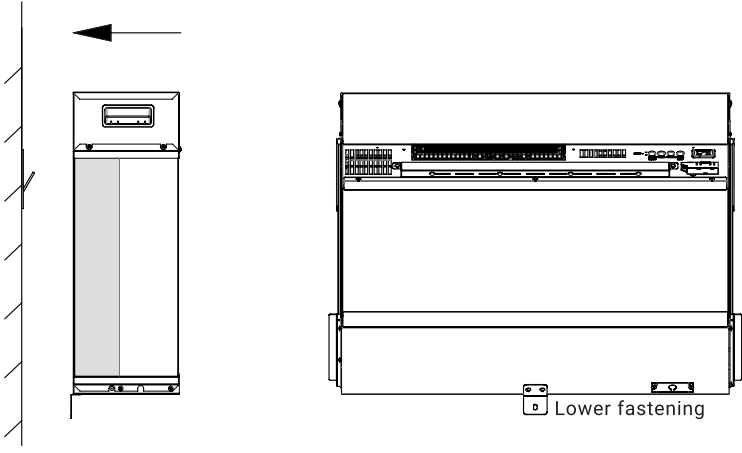


Select a suitable wall and mark the proposed six holes. Then drill the marked holes using an 8mm drill bit.

# 06

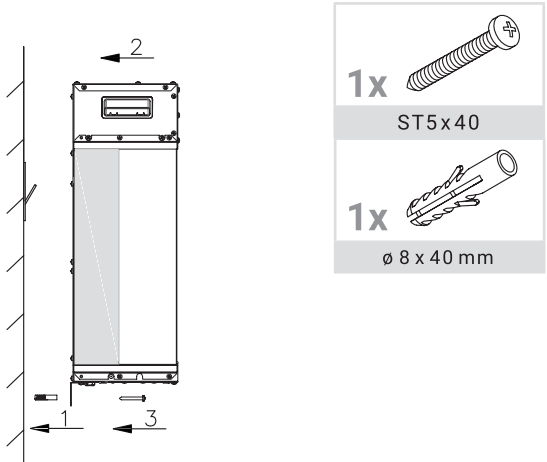


# 07



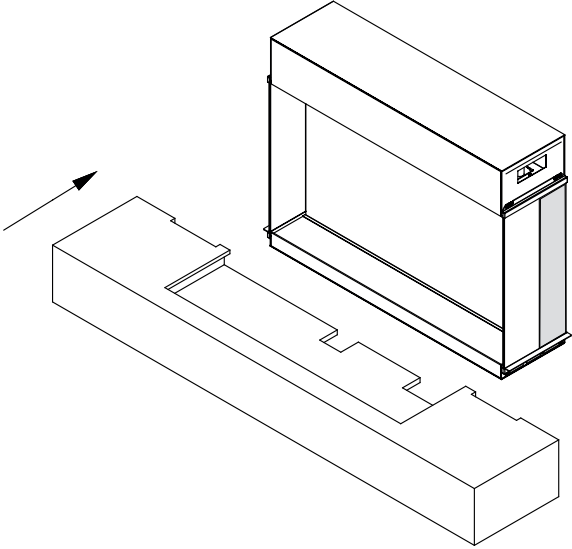
Hang the electric fireplace on the wall bracket and mark the hole of the lower attachment. Then remove the electric fireplace again.

# 08

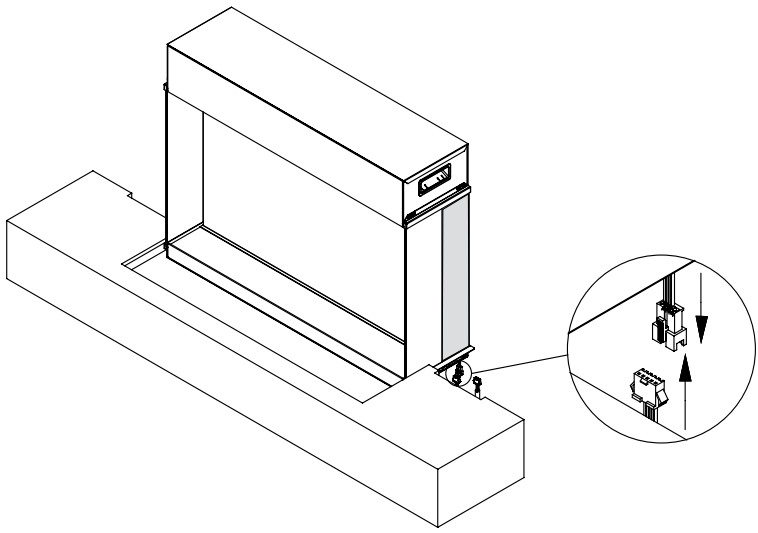


Drill the marked hole using an 8 mm drill bit and insert the wall plug.  
Hang the electric fireplace on the wall bracket again and attach it to the wall using a screw ST5X40.

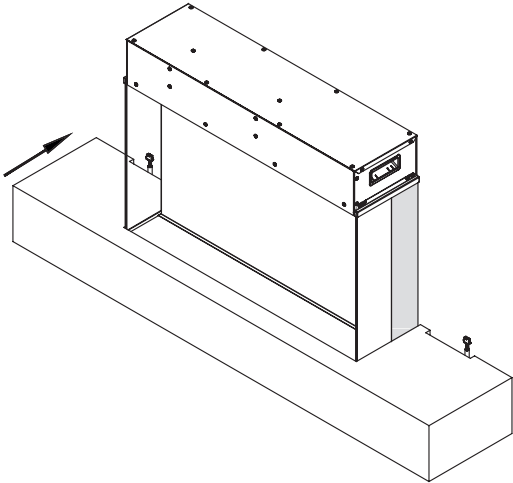
09



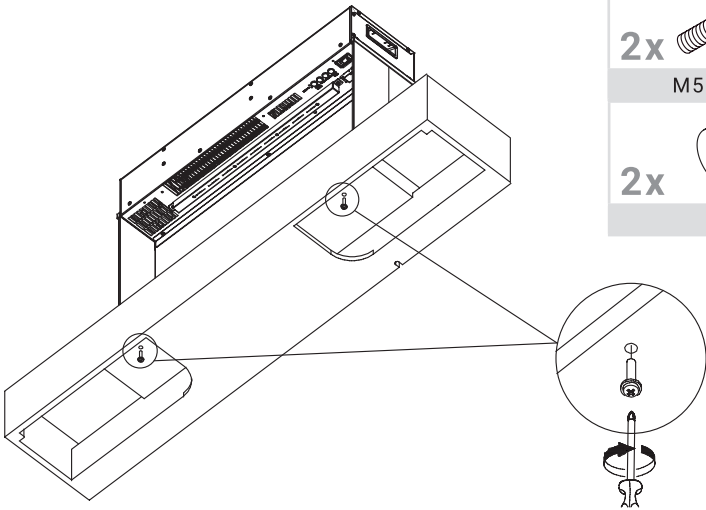
10





11



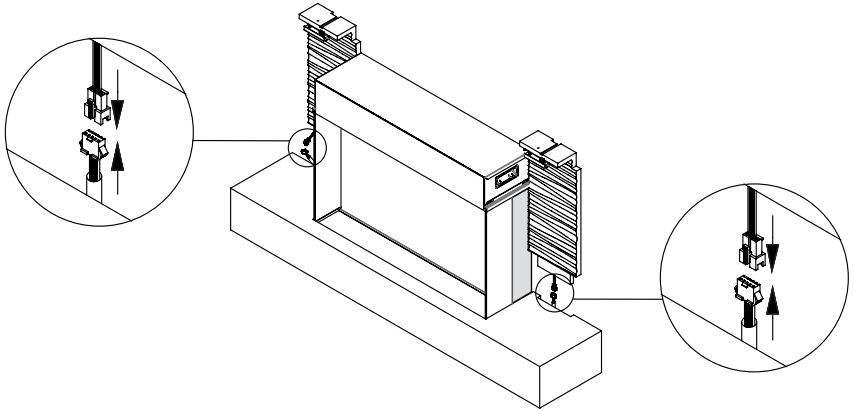
12



2x	
M5 x 25	
2x	

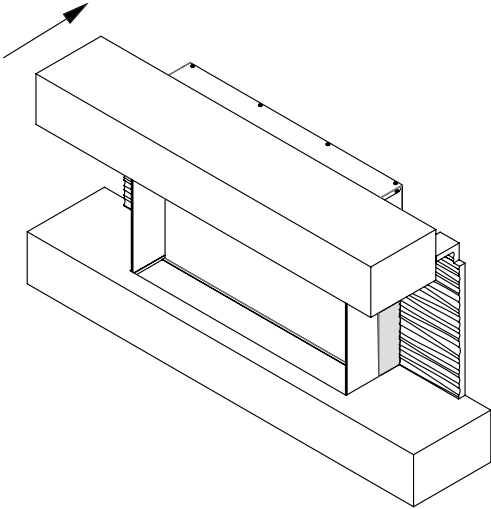
Carry out this assembly step on both sides

# 13

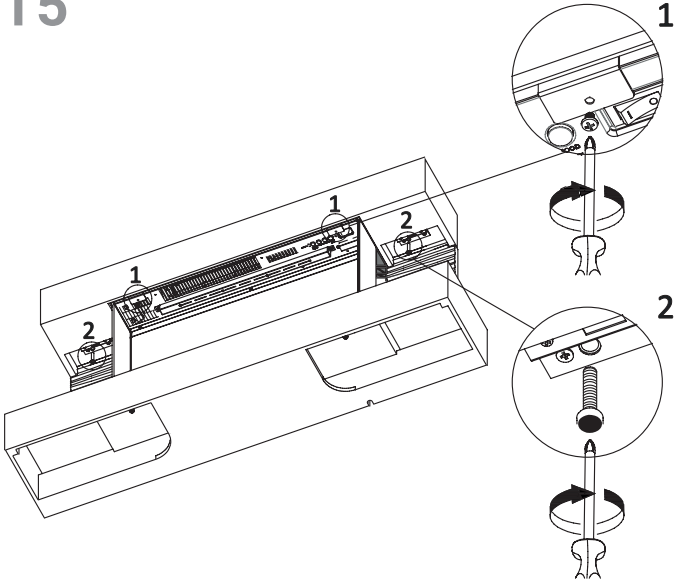





Carry out this assembly step on both sides

# 14



# 15



- 2x   
M6 x 35
- 2x 
- 2x   
ST4 x 8

Carry out this assembly step on both sides