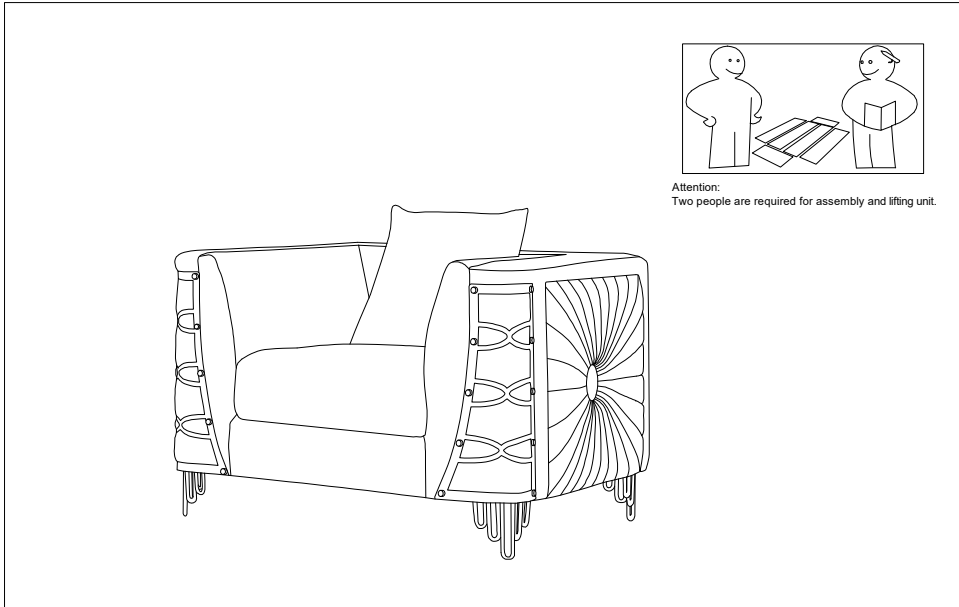
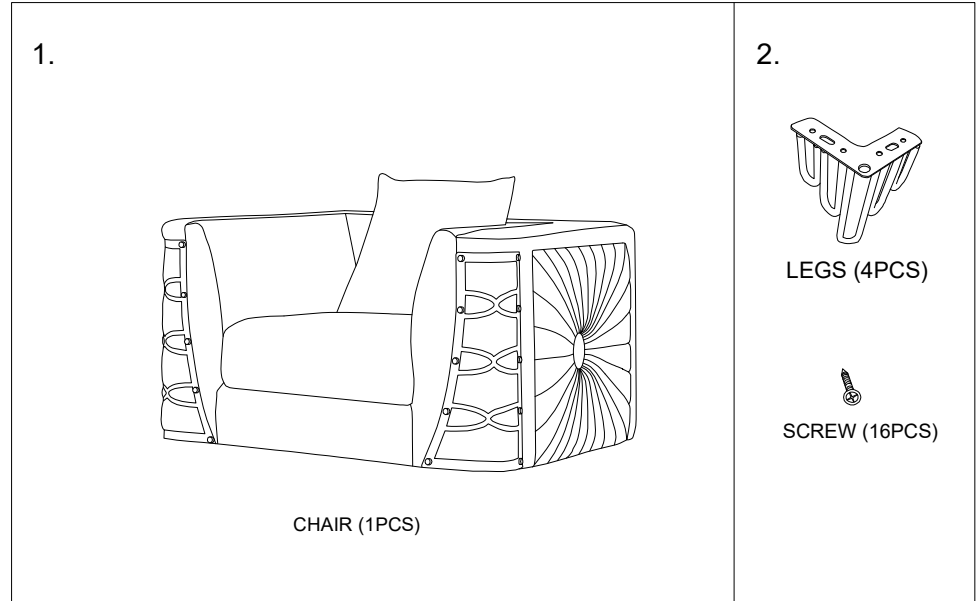


CHAIR ASSEMBLY INSTRUCTION

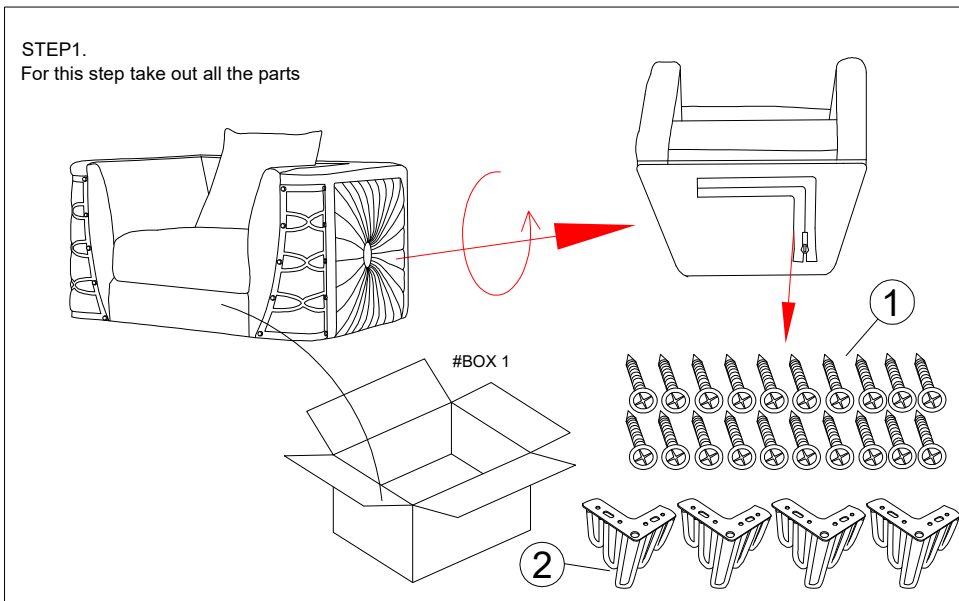
ASSEMBLY INSTRUCTION



ASSEMBLY PART



ASSEMBLY INSTRUCTION



ASSEMBLY INSTRUCTION

