

Cleaner

- ◆ 154 The multi-functional brushing machine

Owner's guide

154 The multi-functional brushing machine



Subagency

CAUTIONS

- I. This machine is not intended for use by the physically weak, intellectually obtuse or mentally disabled people(including children),unless it is safely used under thehelp or instructions of those who are responsible for their safety.
- II. The children shall be supervised to ensure that they willnot play the machine.
- III. Be sure to remove the power plug from the socket beforecleaning or repairing the machine.
- IV.If the power cord is damaged or loose, it shall be replacedby the manufacturer'sservice department or qualified personnel; the connection shall be of Y type.
- V. Remove the power plug after stopping the machine
- VI.Using power supply which matches voltage and frequency of the machine

■ Technical parameters

Type: SC-005

Voltage: 220V-/50Hz

Power: 1100W

Speed of rotation: 154rpm/min

Noise: ≤ 54 dB

Length of power cable: 12m

Diameter of Base Disc: 17"

Non-loading: A positive and negative difference of 7%

Net weight: 48kg

Safety Performance: Type I

Normal service life: 3-5 years

Internal / external materials: Aluminum-plastic structures

Corrosion resistant: Resistant to acid and alkali corrosion

Degree of anti-striking: Slight striking resistant

Affixed accessories of the machine body: carpet brush, floor brush, pin terminal and water tank

Main Functions: washing the floor and carpet, wax cleaning and low-speed polishing

Welcome to buy and use 154 multifunctional brushing machines. This machine features in easy operation, safe use and high cleaning efficiency, suitable to hotel, office building, exhibition halls and other public place for cleaning of the carpets and floors as well as low-speed polishing of various grounds. With a high cleaning efficiency, it can save much time for cleaning. Thus, it is an important device indispensable for current machinery cleaning works.

■ Main Structure

1. Operating handle
2. Handle switch
3. Angle regulation handle
4. Lever handles of the water tank
5. Water tank
6. Connecting shackle of the water tank
7. Offset
8. Aluminum pipe
9. Main power wire
10. Aluminum wishbones
11. Aluminum seat
12. Truckles
13. Top cover
14. Main motor
15. Chassis
16. Bumping ring

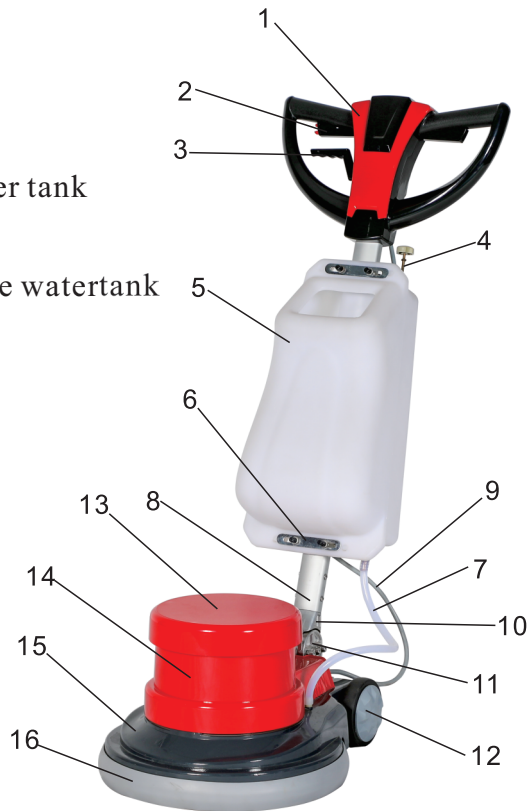


Figure 1

■ Operating methods and notes

1. After opening the tank, please install the machine body, operating handle and water tank well according to the figure as well as the cleaning brush.
2. Check whether the power socket on site meets relative standards and ensure that voltage of the power supply is between 220V and 240V. Excessive or insufficient voltage may lead the machine to abnormal operating, overheating or burning down.
3. Add proper solution with cleaning agent to the water tank for cleaning requirements
4. Adjust the operating handle to an angle accustomed by the operator
5. One must clench the operating handle with his hands and no other personnel are allowed to stand around accessories of the machine before starting so as to avoid that they are injured for swing of the machine as the handle is not clenched. Push the thumb fused switch to the center of the handle, then press the main switch and the brushing machine begins to rotate for cleaning.
6. Loose the main switch handle and the machine will stop working.
7. After finish cleaning, the operating handle should be adjusted to a vertical position and the machine should be dried with a clean cloth so as to extend the machine's service life.
8. It is forbidden to use the brushing machine as other cleaning devices and no additional weight is allowed to add on the machine, for example the machine is operated with the operator sitting on it. Otherwise, the operator is vulnerable and it will add loads to the machine. If it is serious, the motor may be burned down and gears of the reducer may be broken.
9. To avoid electric leakage and burn of the motor, never operate in rain.

■ Care and Maintenance

1. The machine is designed to resist moisture and it operates well without water entering electrical equipments of the machine under normal usage. During its usage, pay attention not to let water and cleaning agent entering the power socket or the machine directly to prevent short out or electric shock.
2. Do not disassemble the motor or planet gearbox. If finding any trouble with the motor or gearbox, please notify our company or dealer for repair.
3. It is not allowed to replace capacitance operating or starting up with a capacitor which is not conformed to capacitance capability and voltage resistant requirements, or the motor is vulnerable.
4. Plastic handle, angle regulation handle or buttons on the operating handle can not be pushed with a strong power so as to prevent unnecessary damage.

■ Main Troubles and How to Solve Them

NO.	Trouble	Possible fault reasons	How to Solve
1	The motor does not rotate	The power cabl is not connected correctly Broken power fuse, power off The power switch is damaged	Check for power wire connection Check for power supply and fuse Replace the power switch
2	The motor startup is slow	Start capacitor Circuited or damaged Broken centrifugal switches	Replace the start capacitor Replace the centrifugal switch
3	The motor is weak	run capacitor is damaged The motor coil is damaged	Replace the run capacitor
4	The motor does not stop after the power switch is disconnected	The power switch is damaged	Replace the power switch
5	The motor is jammed; the reducer doesn't work or severe noise is heard	Planetary gears are broken due to abnormal overloading operation	Replace the gear

■ Sets

1. Machine	1 set
2. Operating handle	1 set
3. External short power wires (on handles)	1 set
4. Screws and inner hexagonal spanner for connection of operating handle	1packet
5. Water tank	1 piece
6. Cleaning brush	2 pieces
7. Pin terminal	1 piece
8. User Manual	1 copy
9. Quality Certificate	1 copy

■ Handle Operations

The names and functions of handles on the operating handle are as shown in Figure 1:

- 1.The handles are equipped with a mains switch and a protective device for the switch
- 2.Adjust angles of the multifunctional brushing machine when it is unused.The angleadjusting handle can be raised, which is convenient for placing and saving space.Meanwhile, fixed sharp teeth of the operating handle are loosened. It is allowable torotate the operating handle along the aluminum seat to a position vertical to the ground.Then loose the angle adjusting handle and the operating handle can be fixed to the vertical position. At the moment,safety device in the handle will clip in the safety groove of the main switch automatically.Even the fused switch is pushed to the center;it is still not powered on. Thus, it can prevent mal-operation and it can insure the operator's safety.

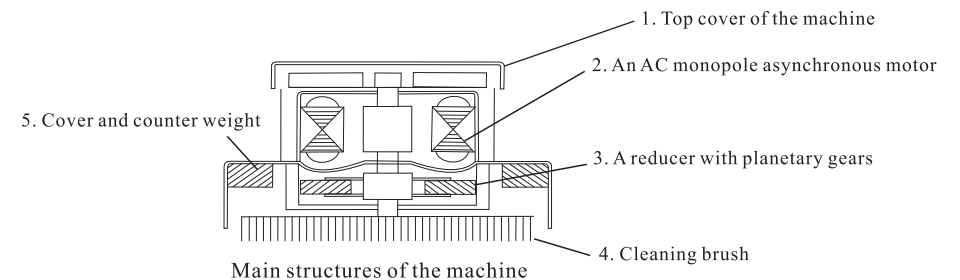
In normal usage, the angle adjusting handle should be raised up and it should be rotated to an angle accustomed by the operator (almost a 45°angle with the Ground). Then loose the angle adjusting handle and the operating angle is fixed.

When start cleaning,one of the two thumb fused switches are pushed to the center the same moment at which the power switch is pressed down, so the motor is started to drive the cleaning brush for working.

- 3.The power switch handle is powered on and powered off.
- 4.The angle adjusting handle is used to adjust the angle of the operating handle
- 5.Operating lever of the water tank is used to start the tank and control the water yield.
- 6.The power wire and socket is connected to the handle and main motor.

Water tank is a container used to store water and cleaning agent and lever 5 of the water tank is used to add water or cleaning agent to the cleaning brush for cleaning.

A-005 Multifunctional brushing machine body is composed of an AC monopole asynchronous motor, a reducer with planetary gears, a cleaning brush, a cover and counter weight.



The AC monopole asynchronous motor is made from import cold rolled silicon-steel sheets of high quality, so it has high power, low loss and heat. The reducer with planetary gears is made from cast irons of high quality so as to reduce noise and the gears which are helical are made from POM with high quality. The motor cover and machine body is made from aluminum alloy of high quality so as to ensure sufficient structure strength and beautiful appearance.

Illustration (I) of handles of the SC-005 154 Multifunctional brushing machine

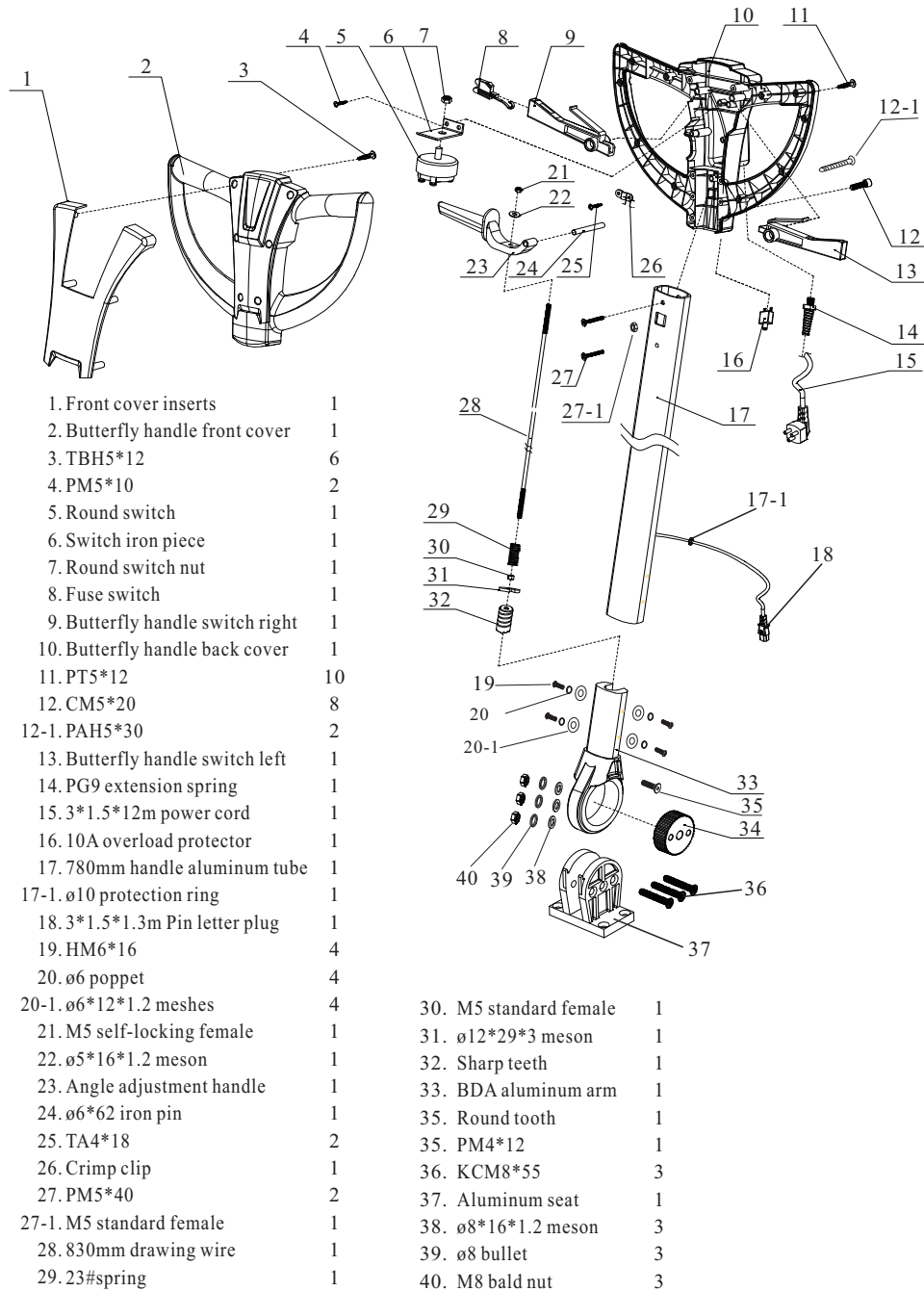


Illustration (II) of the SC-005 154 Multifunctional brushing machine body

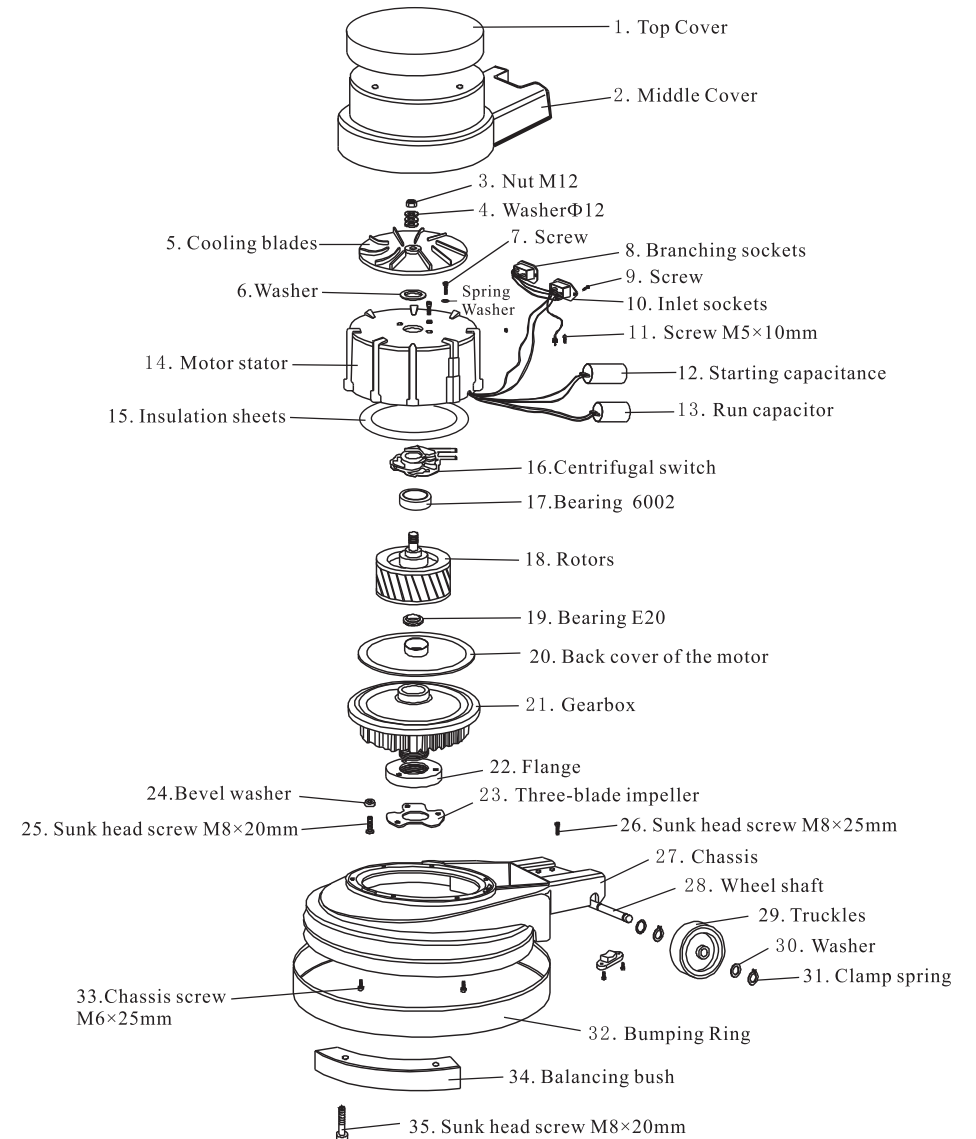


Illustration (III) of gear cases of the SC-005 154 Multifunctional brushing machine

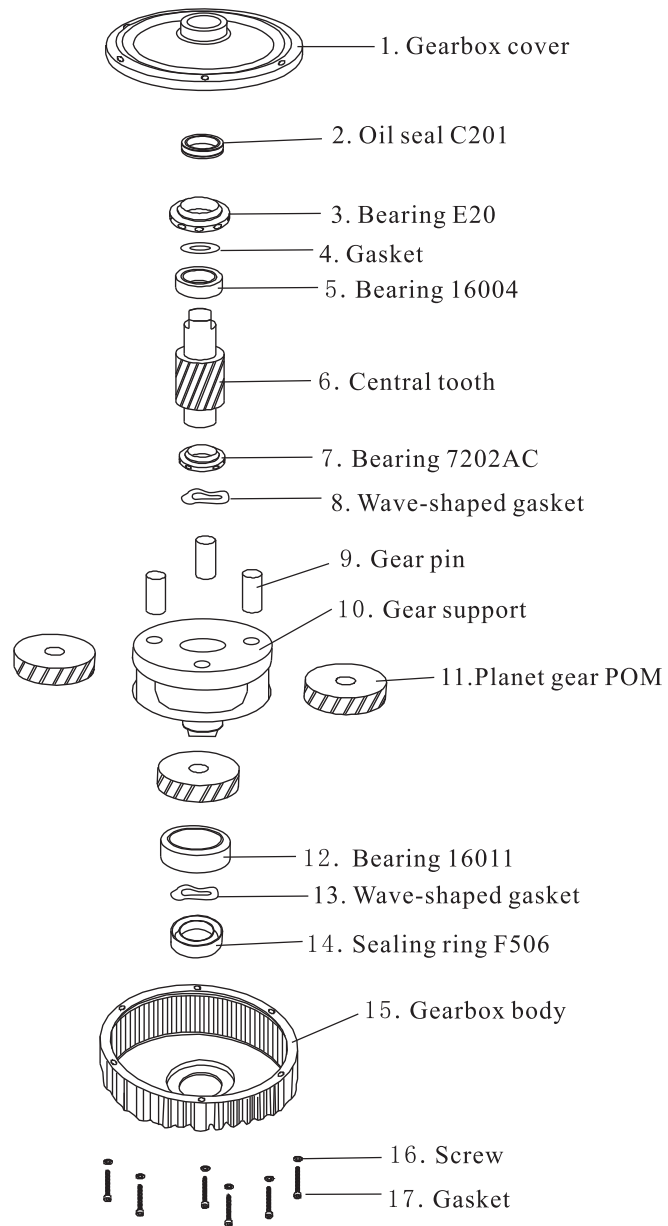


Illustration (IV) of water tank of the SC-005 154 Multifunctional brushing machine

