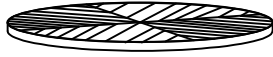


# ASSEMBLY INSTRUCTION

**A** Top Panel



1 PC

**B** Upper Leg Frame



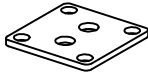
1 PC

**C** Lower Leg Frame



1 PC

**D** Connecting Iron Plate  
3-1/8" x 3-1/8" x 1/5"



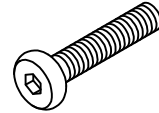
4 PCS

**E** Bolt  
1/4" x 3/4"



8 PCS

**F** Long Bolt  
1/4" x 1-1/8"



17 PCS

**G** Spring Washer  
1/4"



17 PCS

**H** Flat Washer  
1/4"

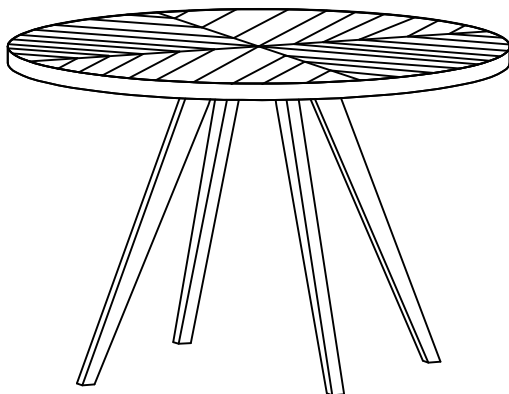


17 PCS

**I** Allen Key  
M4



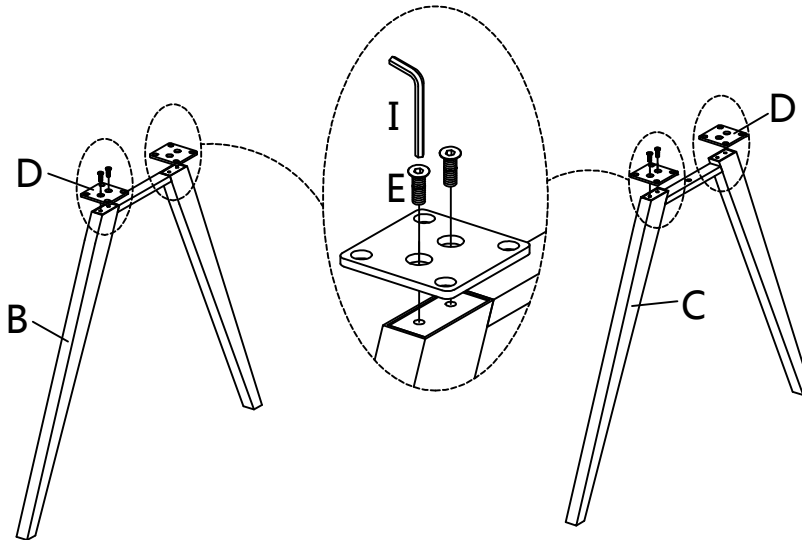
1 PC



This page lists all the contents included in the box. Please take the time to identify the hardware as well as the individual components to this product. As you unpack and prepare for assembly, place the contents on a carpeted or padded area to protect them from damage.

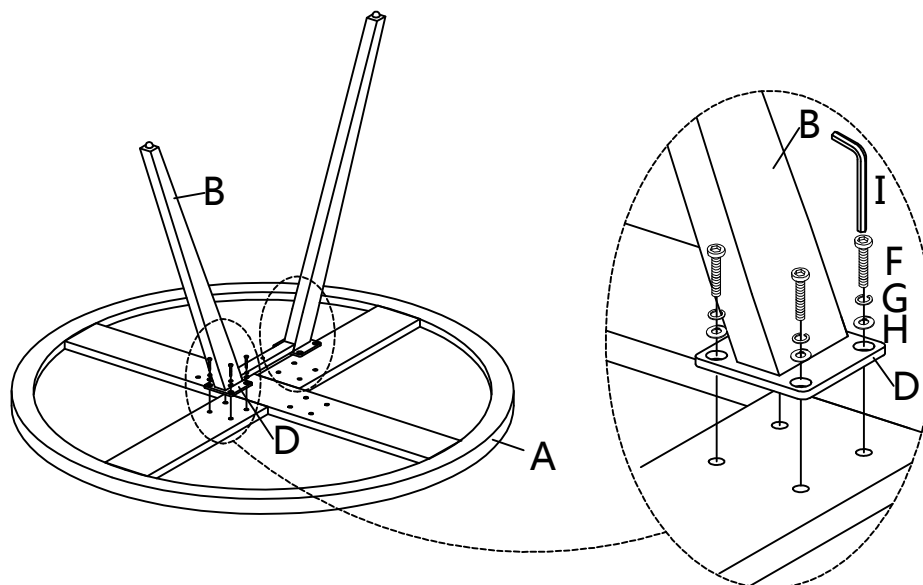
- 
- 1** Attach Connecting Iron Plate (D) to top of Upper Leg Frame (B) and Lower Leg Frame (C) using Bolt (E) with Allen Key (I).

**Note: Fully tighten the bolts at this step.**

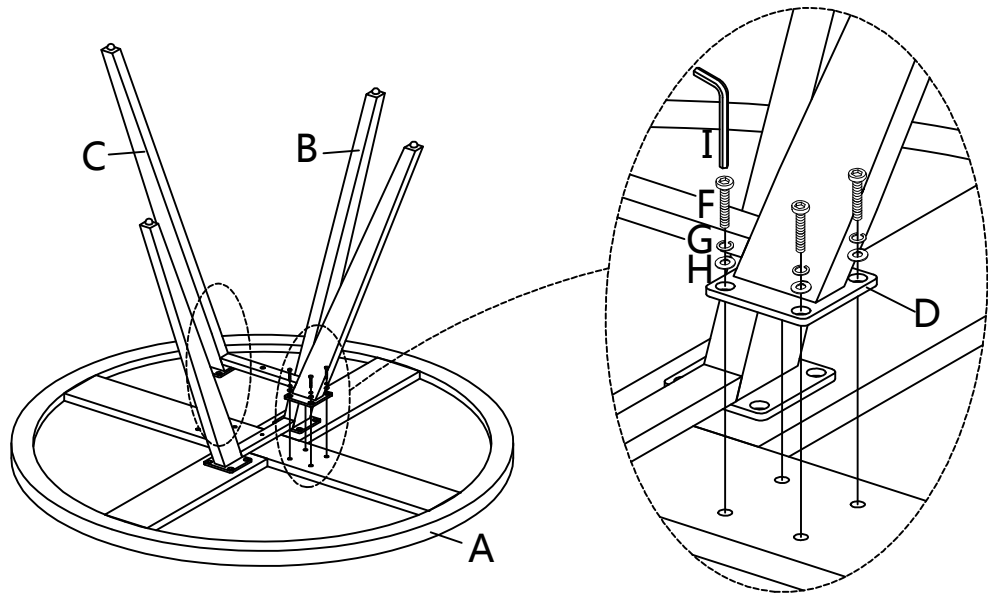


- 
- 2** Attach Upper Leg Frame (B) and Connecting Iron Plate (D) to bottom of Top Panel (A) using Long Bolt (F), Spring Washer (G), Flat Washer (H) with Allen Key (I).

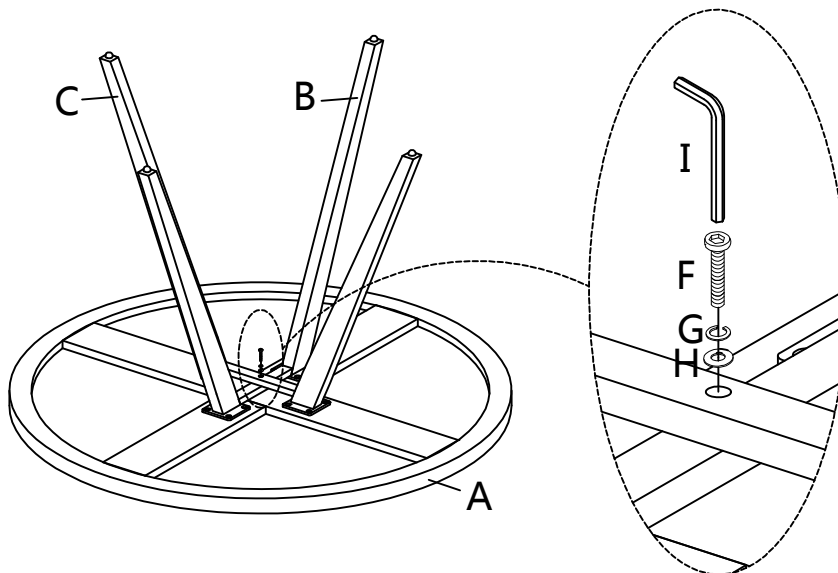
**Note: Do not fully tighten the bolts at this step.**



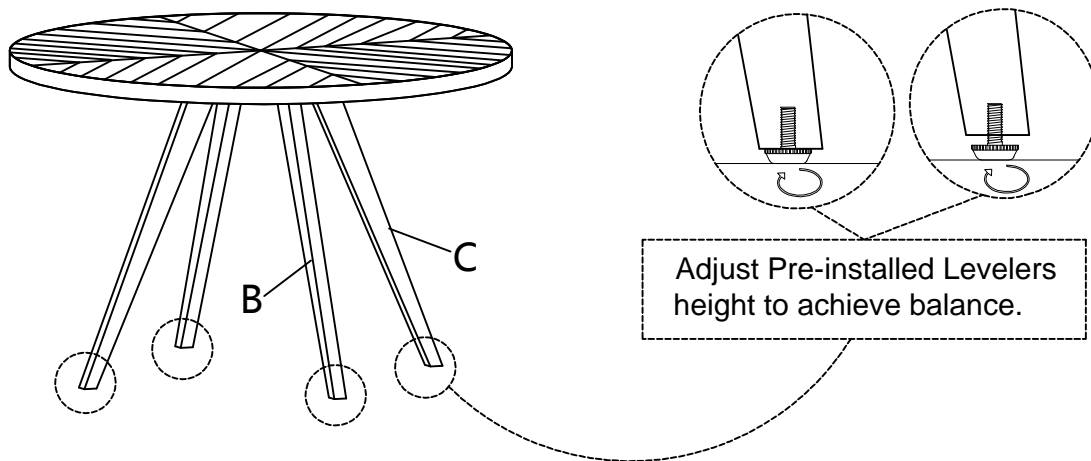
- 3** Attach Lower Leg Frame (C) to Upper Leg Frame (B) and bottom of Top Panel (A) using Long Bolt (F), Spring Washer (G), Flat Washer (H) with Allen Key (I).  
**Note: Do not fully tighten the bolts at this step.**



- 4** Use Long Bolt (F), Spring Washer (G), Flat Washer (H) with Allen Key (I) to fix Upper Leg Frame (B) and Lower Leg Frame (C).  
**Note: Fully tighten all bolts at this step.**



- 
- 5** With assistance from your adult partners, turn the Dining Table right way up. Adjust the pre-installed levelers on the bottom of Upper Leg Frame (B) and Lower Leg Frame (C) until the Dining Table is level with the ground.



---

#### Cleaning & Care

Treat surface with care. Surface is resistant to scratches but is not scratch resistant. Clean surfaces with a dry or damp soft cloth. Do not use abrasive cleaners. Hardware may loosen over time. Periodically check that all connections are tight.

# ASSEMBLY INSTRUCTION

**A** Seat and Back



1 PC

**B** Lower Leg Frame



1 PC

**C** Upper Leg Frame



1 PC

**D** Bolt  
1/4 " \* 1-1/4 "



5 PCS

**E** Spring Washer  
1/4 "



5 PCS

**F** Flat Washer  
1/4 "

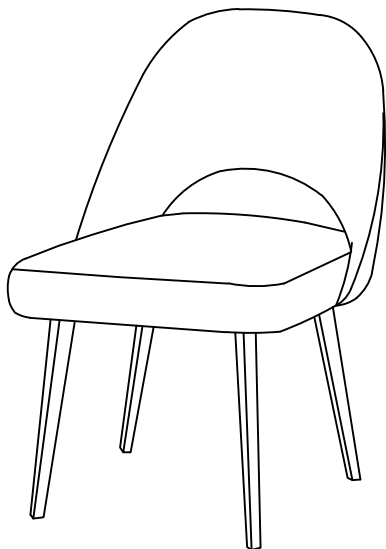


5PCS

**G** Allen Key  
M4

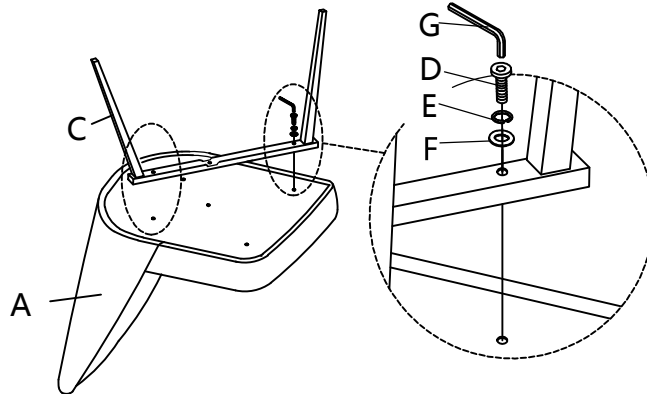


1 PC

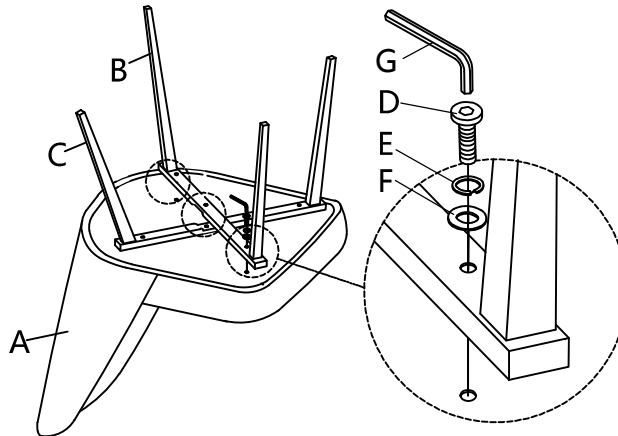


This page lists all the contents included in the box. Please take the time to identify the hardware as well as the individual components to this product. As you unpack and prepare for assembly, place the contents on a carpeted or padded area to protect them from damage.

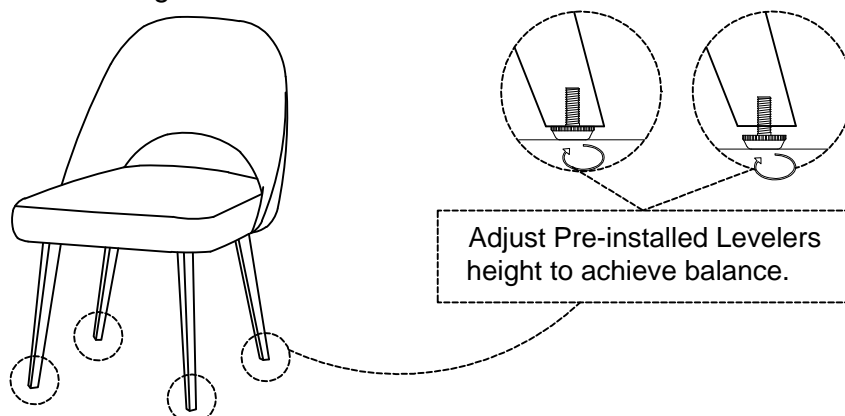
- 1** Attach Upper Leg Frame (C) to Seat and Back (A) using Bolt (D), Spring Washer (E), Flat Washer (F) with Allen Key (G).



- 2** Attach Lower Leg Frame (B) to Upper Leg Frame (C) and Seat and Back (A) using Bolt (D), Spring Washer (E), Flat Washer (F) with Allen Key (G).



- 3** With assistance from your adult partners, turn the Dining Chair right way up. Adjust the Pre-installed Levelers on the bottom of Lower Leg Frame (B) and Upper Leg Frame (C) until the Dining Chair is level with the ground.



## Cleaning & Care

Treat surface with care. Surface is resistant to scratches but is not scratch resistant. Clean surfaces with a dry or damp soft cloth. Do not use abrasive cleaners. Hardware may loosen over time. Periodically check that all connections are tight.