

ASSEMBLY INSTRUCTIONS

ITEM #: WF301021AAE

WF301022AAE

Thank you for purchasing this quality product. Be sure to check all packing material carefully for small Hardware which may have come loose inside the carton during shipment. Identify and count all hardware and compare with the hardware list below

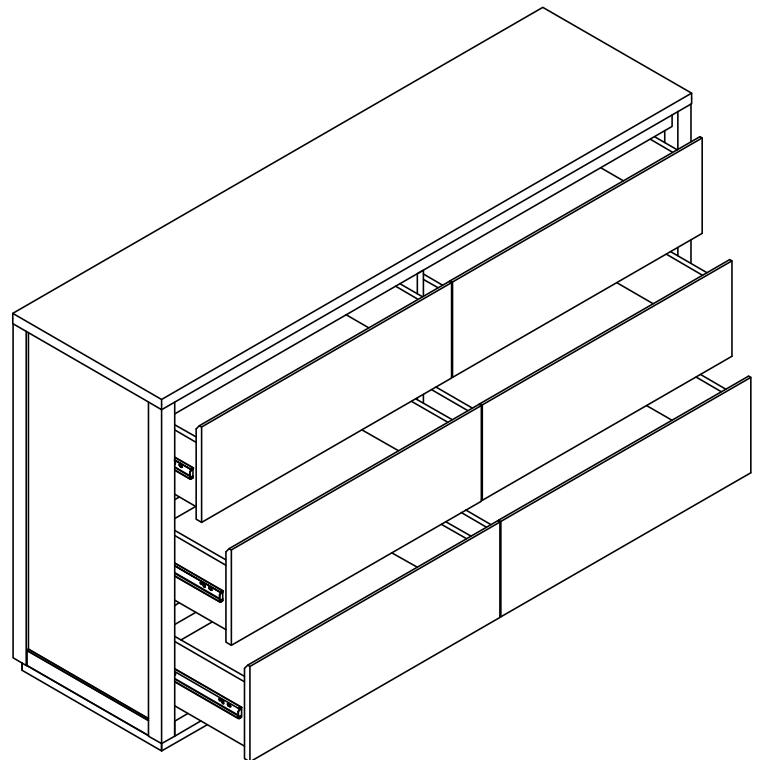
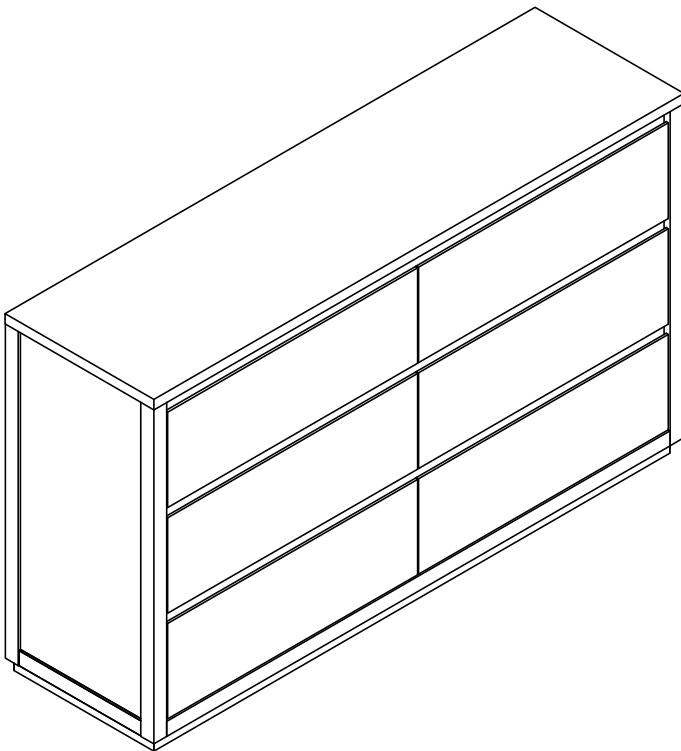
ASSEMBLY INSTRUCTION :

1. Remove hardware from box and sort by size.
2. Please check to see that all hardware and parts are present prior start of assembly.
3. Please follow attached instruction in the same sequence as numbered to assure fast and easy.

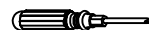


WARNING !

1. Don't attempt to repair or modify parts that are broken or defective. Please contact the store immediately.
2. This product is for home use only and not intended for commercial establishments.
3. Two persons are required for assembly.
4. Approximate assembly time: 1/2 hours
5. Component parts and fittings contained in the box.
Please sort out all parts before you begin to assemble the item.
This is to make sure you always use the correct part
6. It is **STRONGLY RECOMMENDED** that you **ANCHOR** this product.
Toppling furniture can cause serious injuries and death.
This product has not been fitted with an anchor strap.
To prevent your furniture from tipping forward it is strongly recommended that you securely attach this product to a wall or other solid surface, using the anchor straps provided and appropriate fixings.



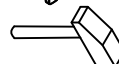
Phillips Screw



Wall Drill



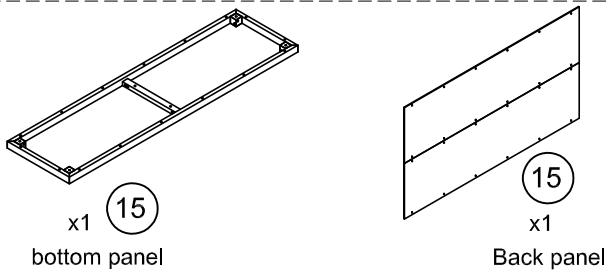
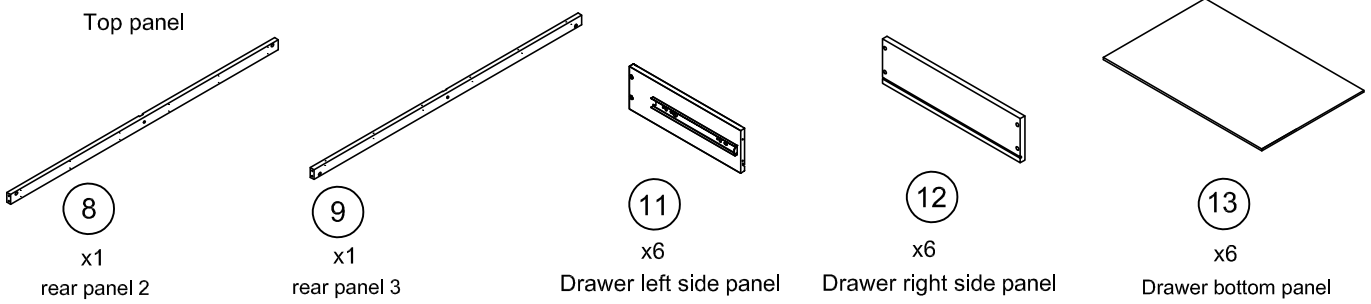
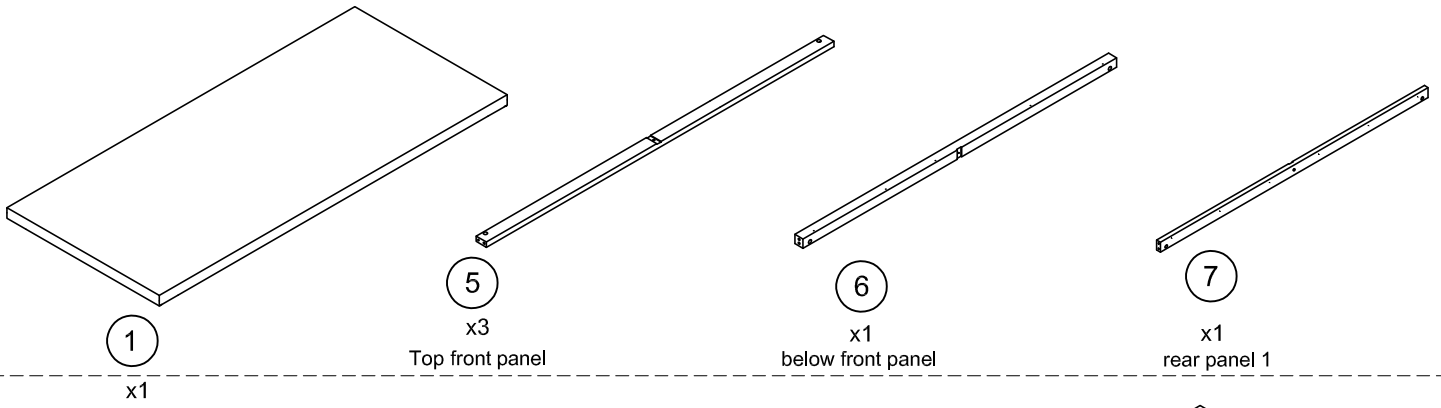
Hammer



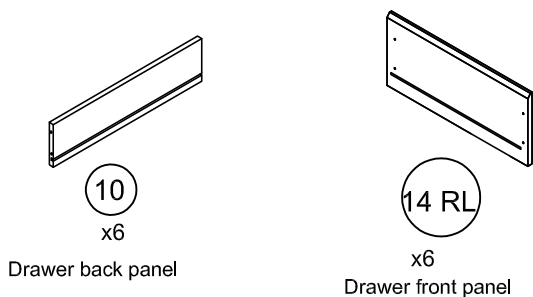
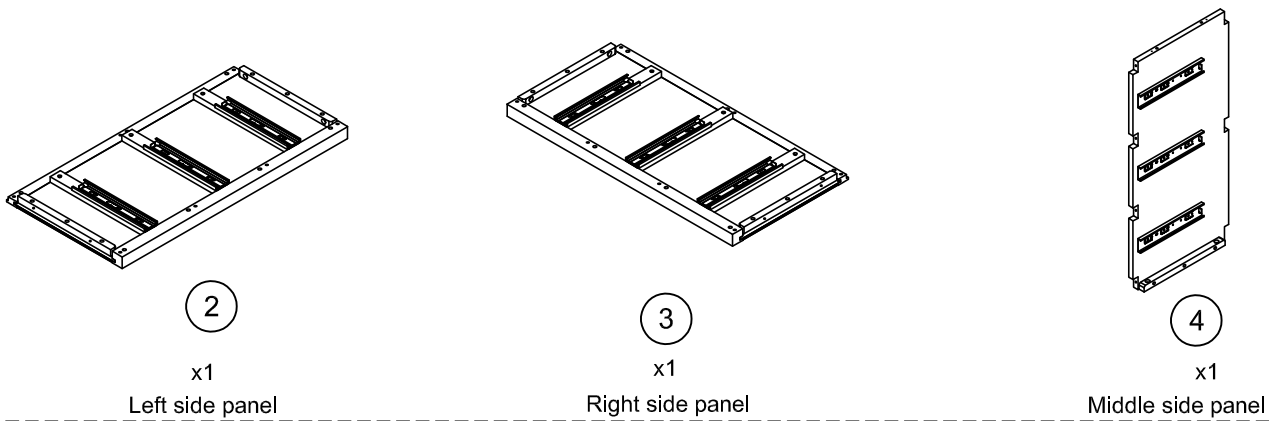
ASSEMBLY INSTRUCTIONS

PART LIST

Box 1 :WF301021AAE

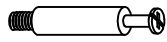


Box 2 : WF301022AAE



ASSEMBLY INSTRUCTIONS

HARDWARE LIST (WF301022AAE)



A

x42
Cam-bolts



B

x42
Cam-locks

$\Phi 8^*3/4"$



C

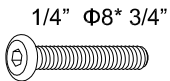
x6
Dowels

$\Phi 8^* 1-1/8"$



D

x14
Dowels



E

x6
Bolts

$\Phi 13^* 1\text{mm}$



F

x6
Flat Washer

$\Phi 10^* 1\text{mm}$



G

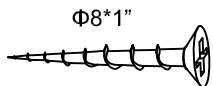
x6
Spring Washer

4mm



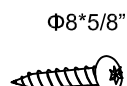
H

x1
Allen Key



I

x24
Screws



J

x24
Screws



K

x4
Hook



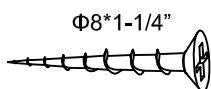
L

x4
Anchor



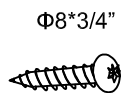
M

x2
Plastic tie



N

x4
Screws



O

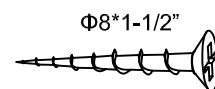
x4
Screws

$1/4^*20$



P

x4
increase and decrease below



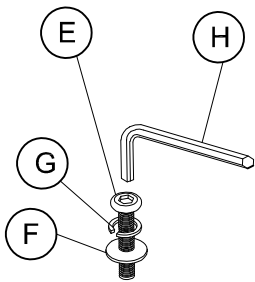
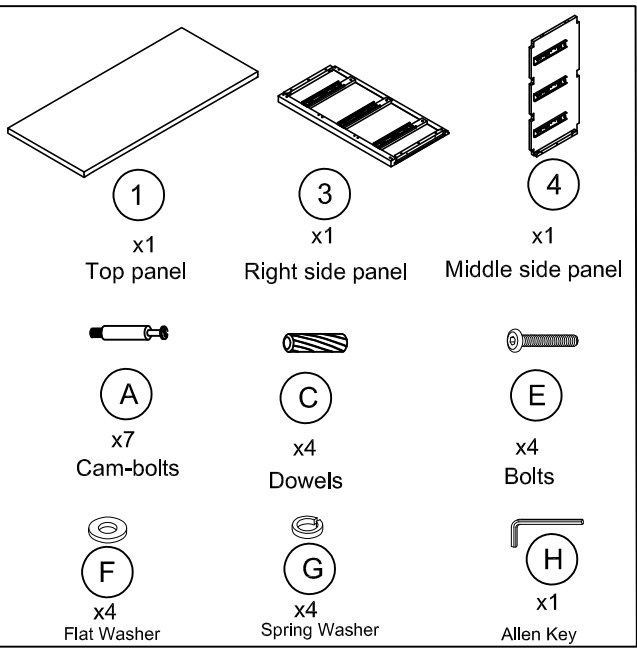
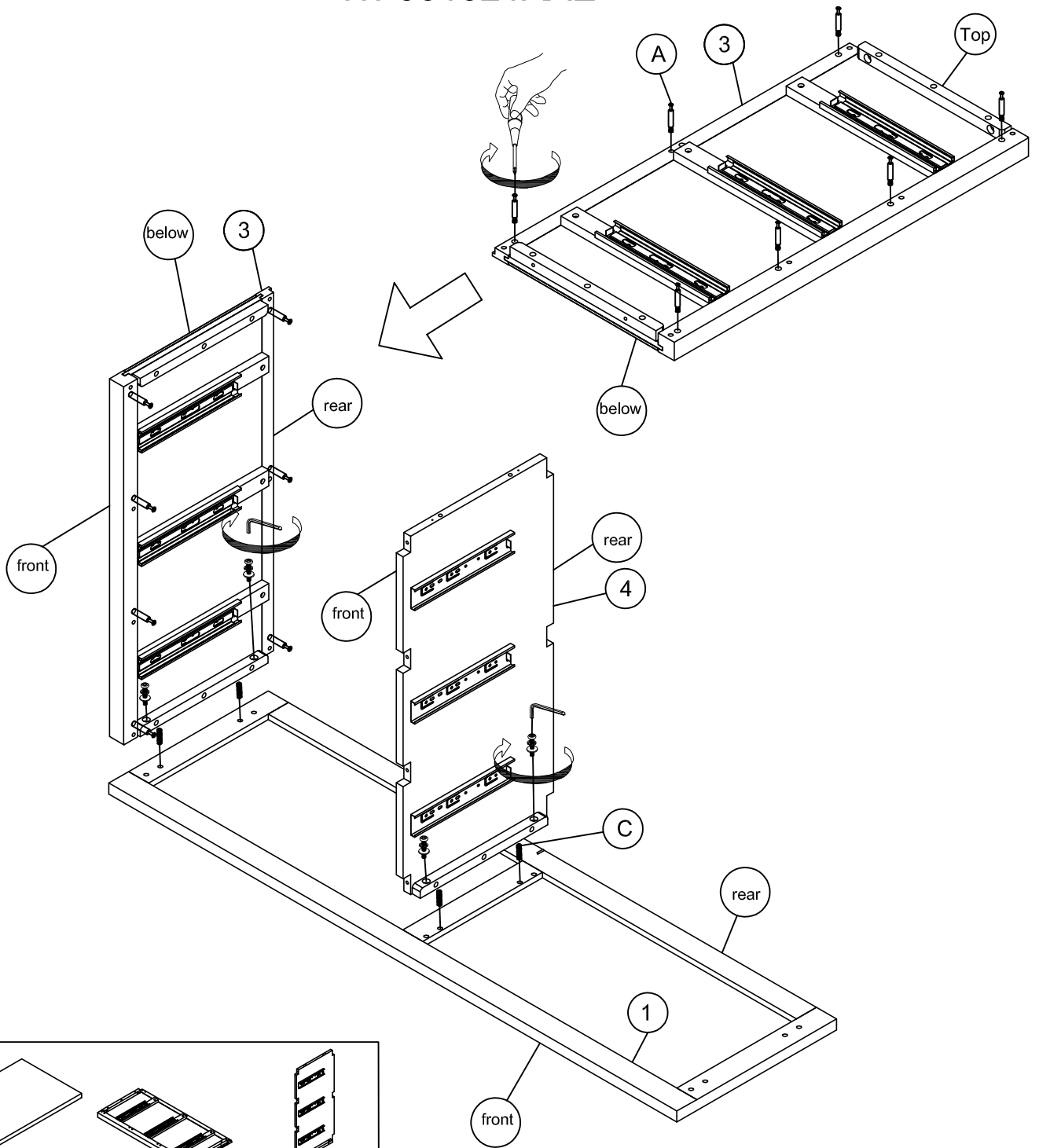
Q

x18
Screws

ASSEMBLY INSTRUCTIONS

WF301021AAE

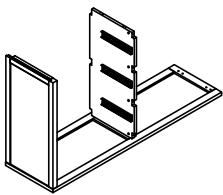
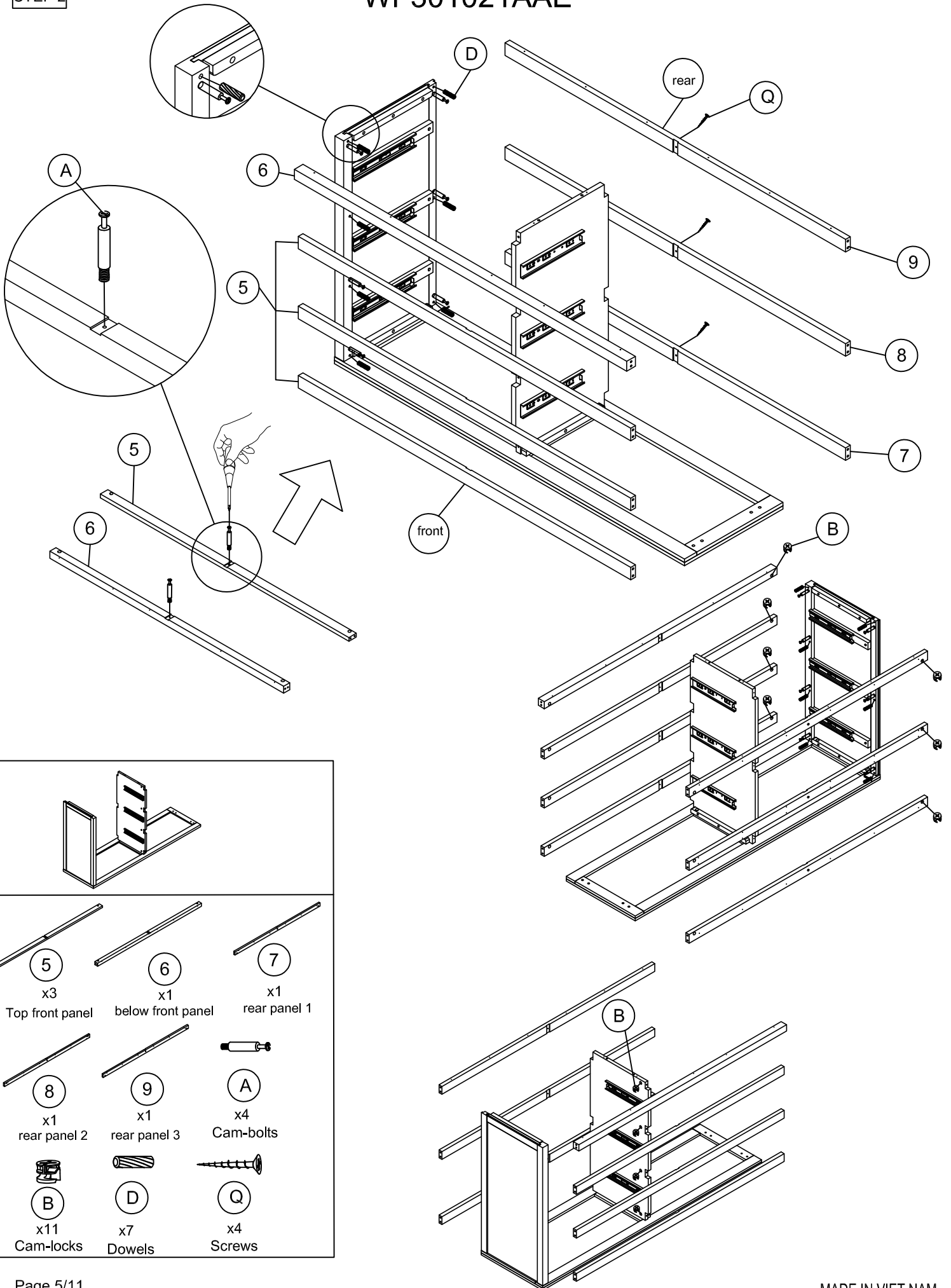
STEP 1

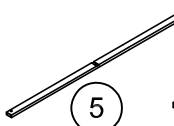
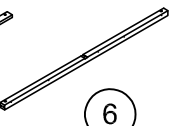
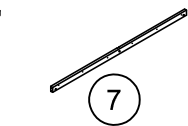
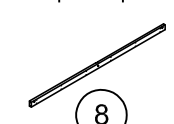
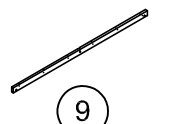
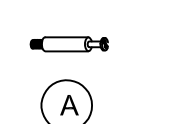
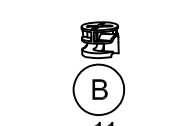
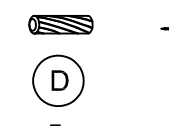
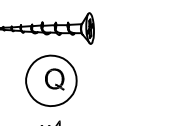


ASSEMBLY INSTRUCTIONS

WF301021AAE

STEP 2

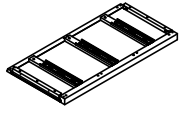
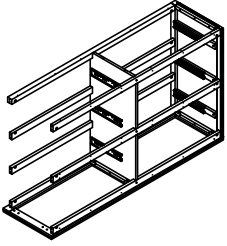


- | | | |
|--|---|--|
| 
5
x3
Top front panel | 
6
x1
below front panel | 
7
x1
rear panel 1 |
| 
8
x1
rear panel 2 | 
9
x1
rear panel 3 | 
A
x4
Cam-bolts |
| 
B
x11
Cam-locks | 
D
x7
Dowels | 
Q
x4
Screws |

ASSEMBLY INSTRUCTIONS

WF301021AAE

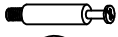
STEP 3



2

x1

Left side panel



A

x7

Cam-bolts



B

x7

Cam-locks



C

x2

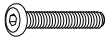
Dowels



D

x7

Dowels



E

x2

Bolts



F

x2

Flat Washer



G

x2

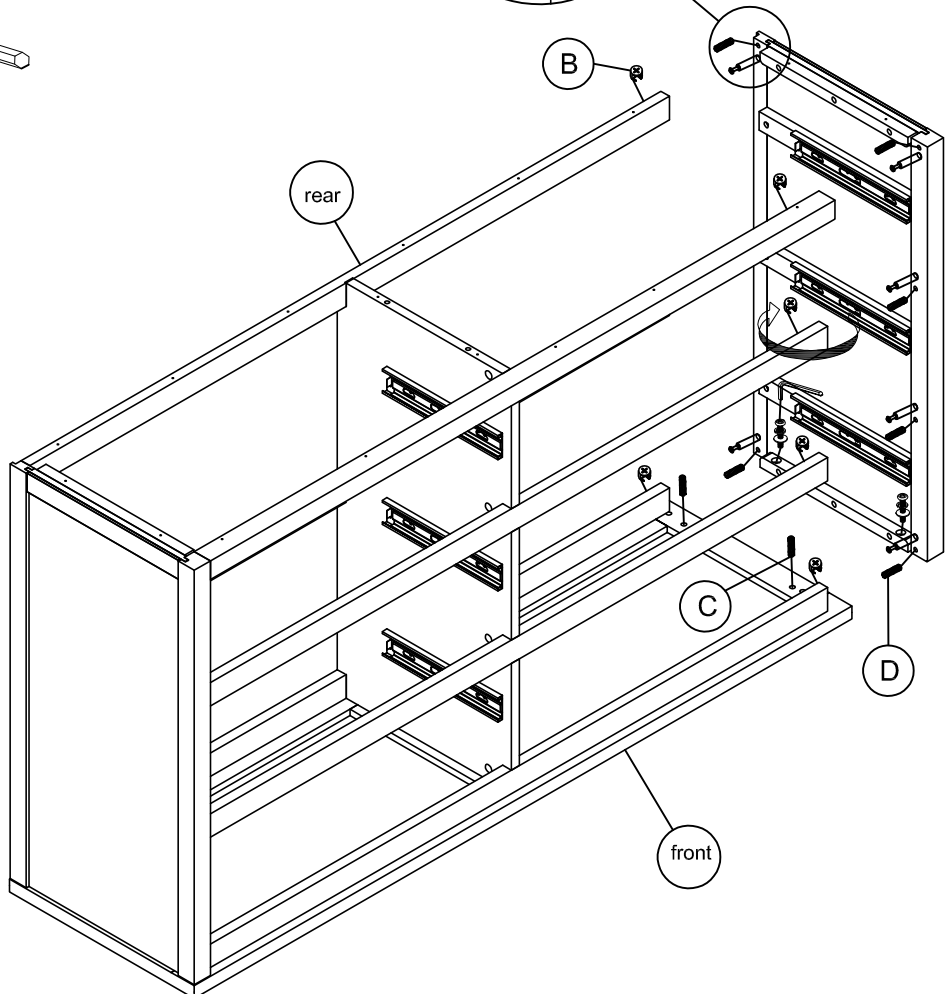
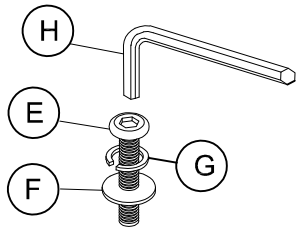
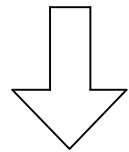
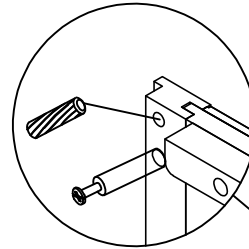
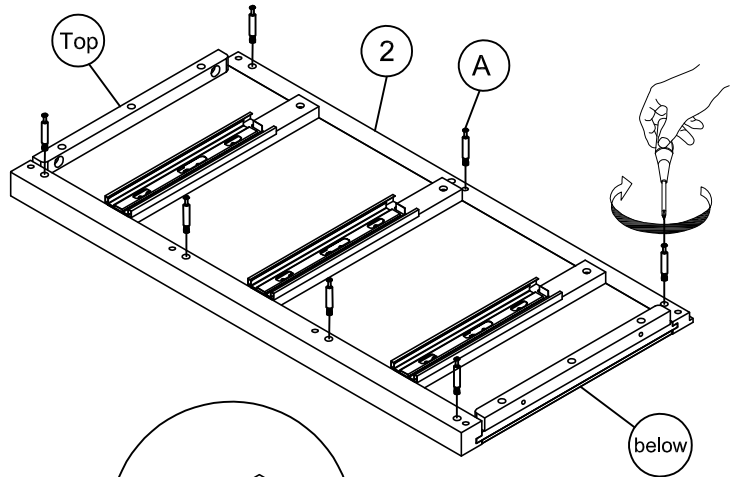
Spring Washer



H

x1

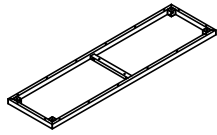
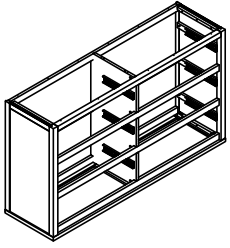
Allen Key



ASSEMBLY INSTRUCTIONS

WF301021AAE

STEP 4



15

x1

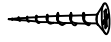
bottom panel



P

x4

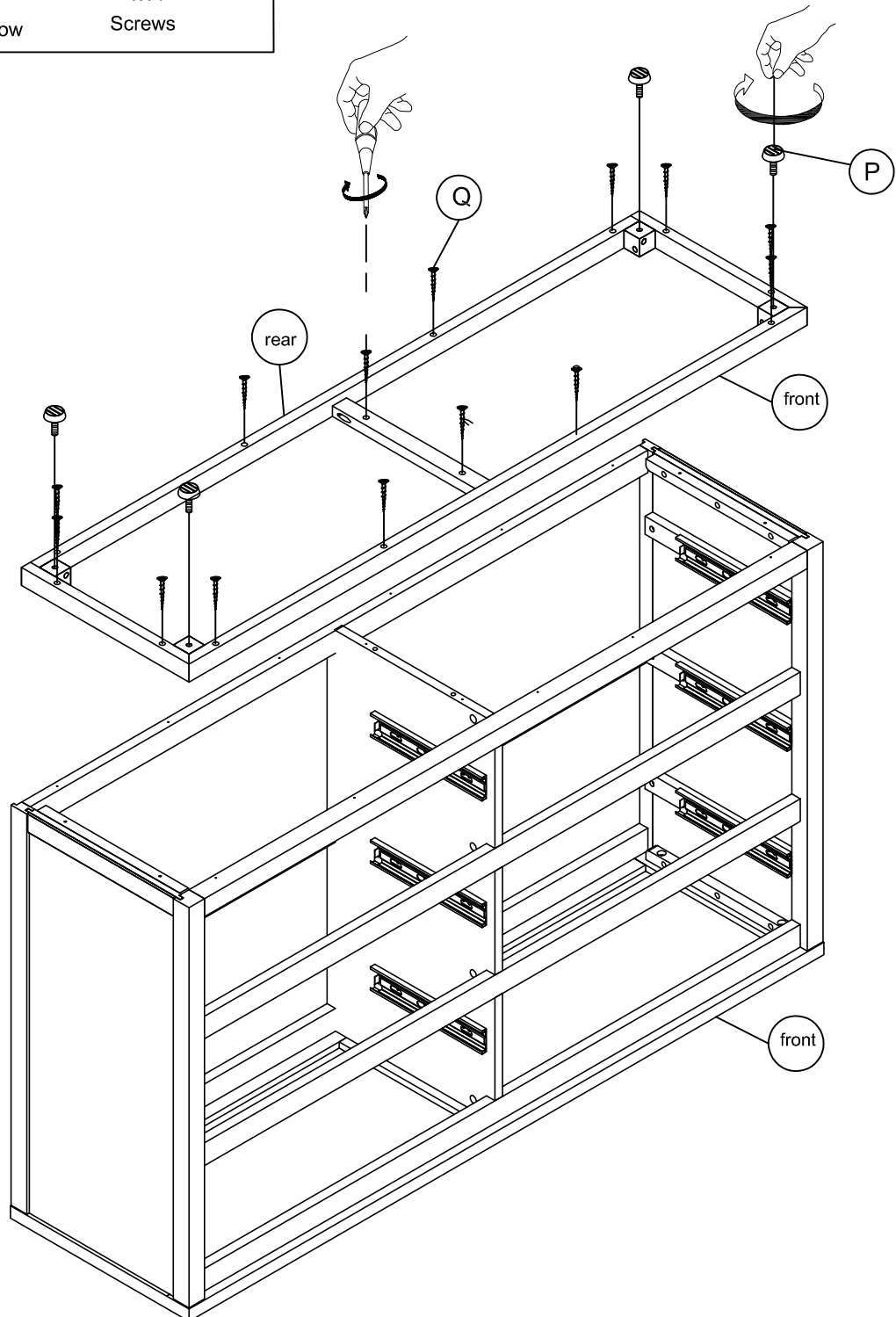
increase and decrease below



Q

x14

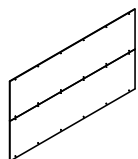
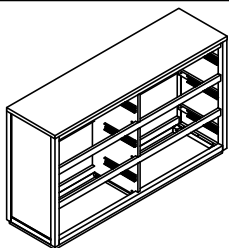
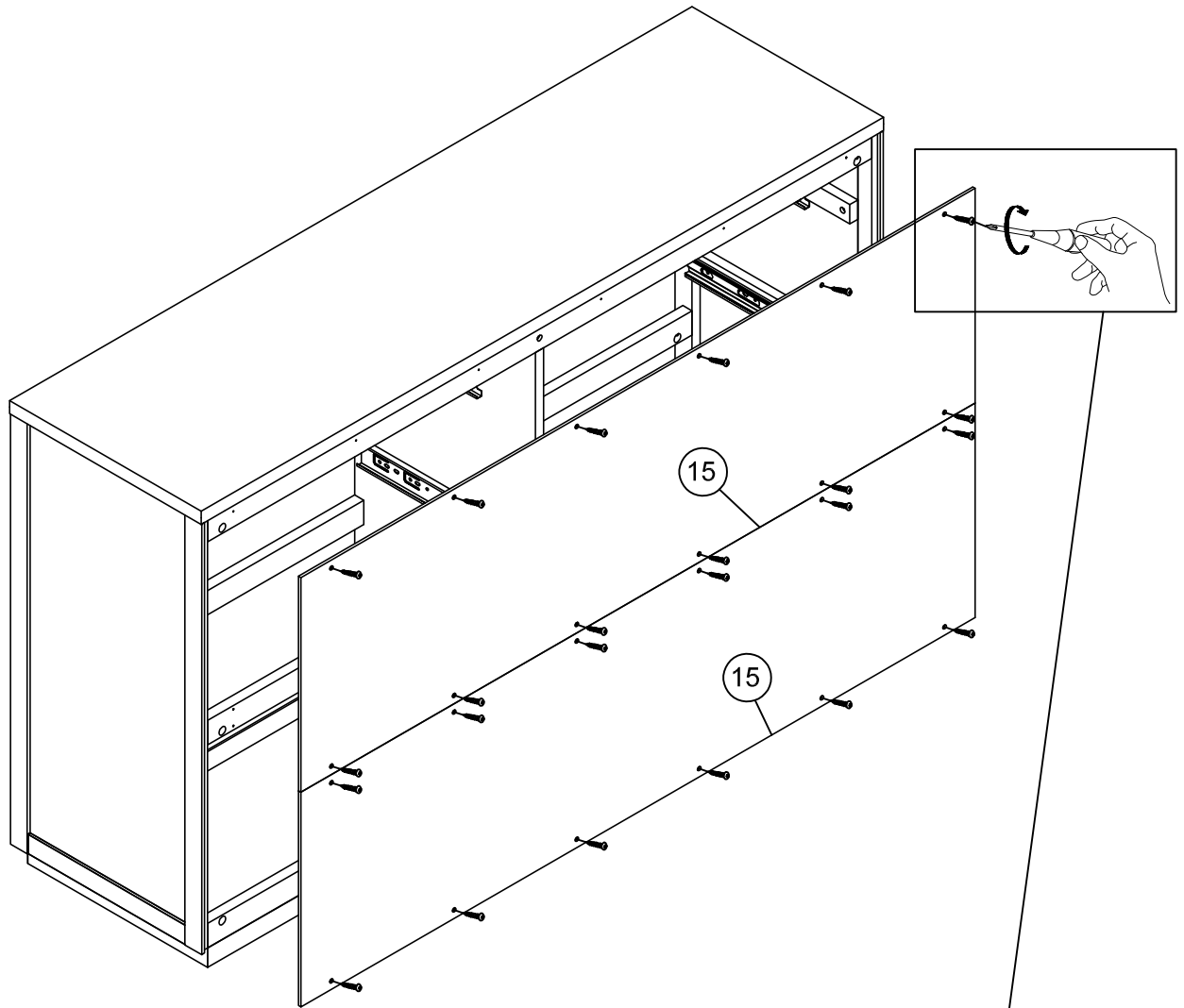
Screws



ASSEMBLY INSTRUCTIONS

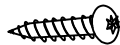
WF301021AAE

STEP 5



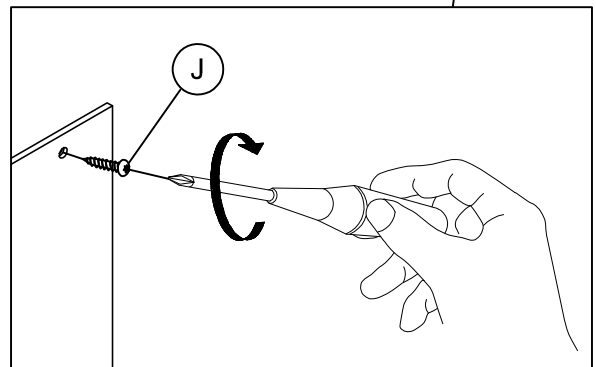
15

x1
Back panel

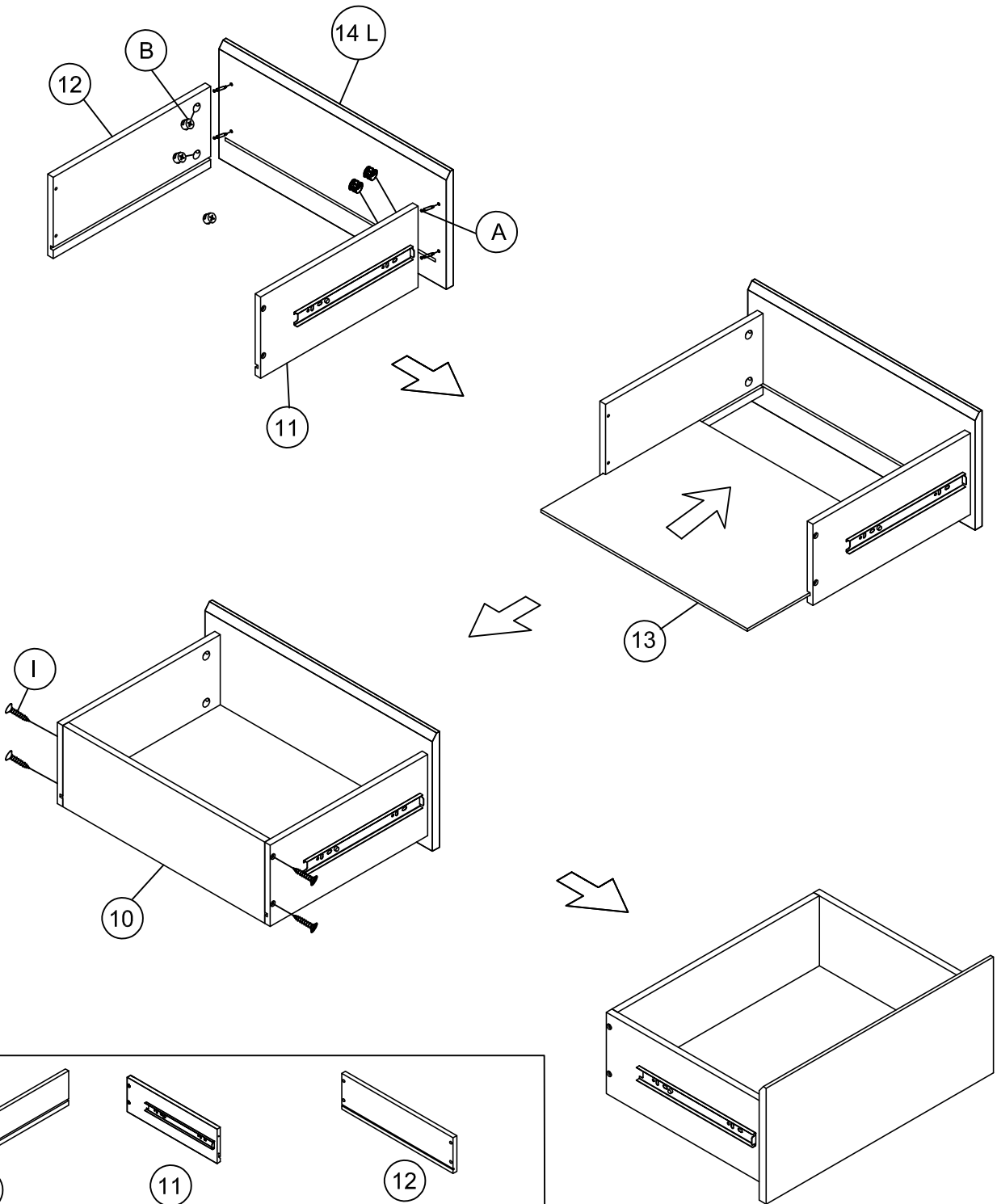


J

x24
Screws



STEP 6

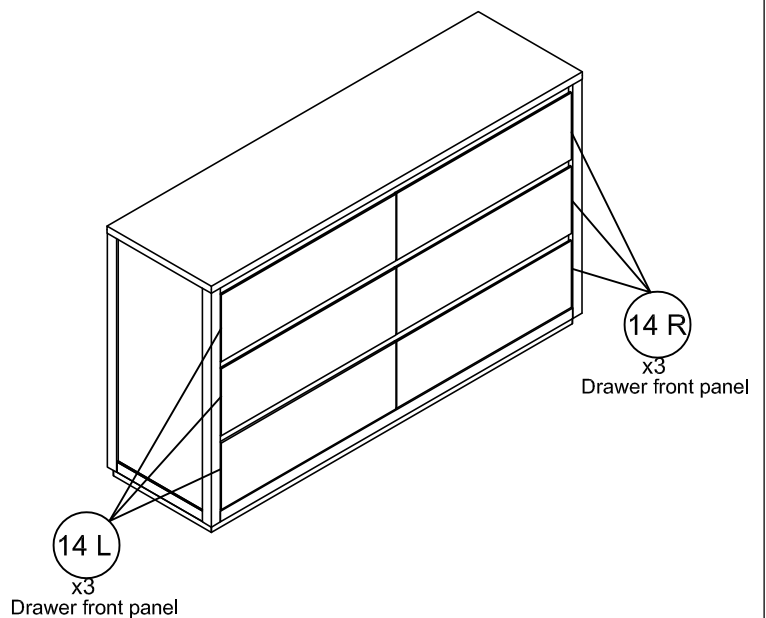
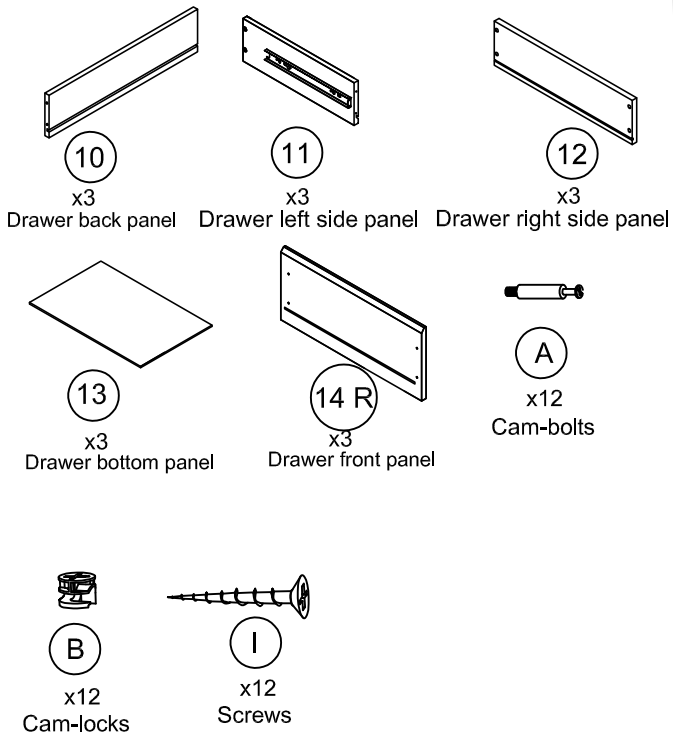
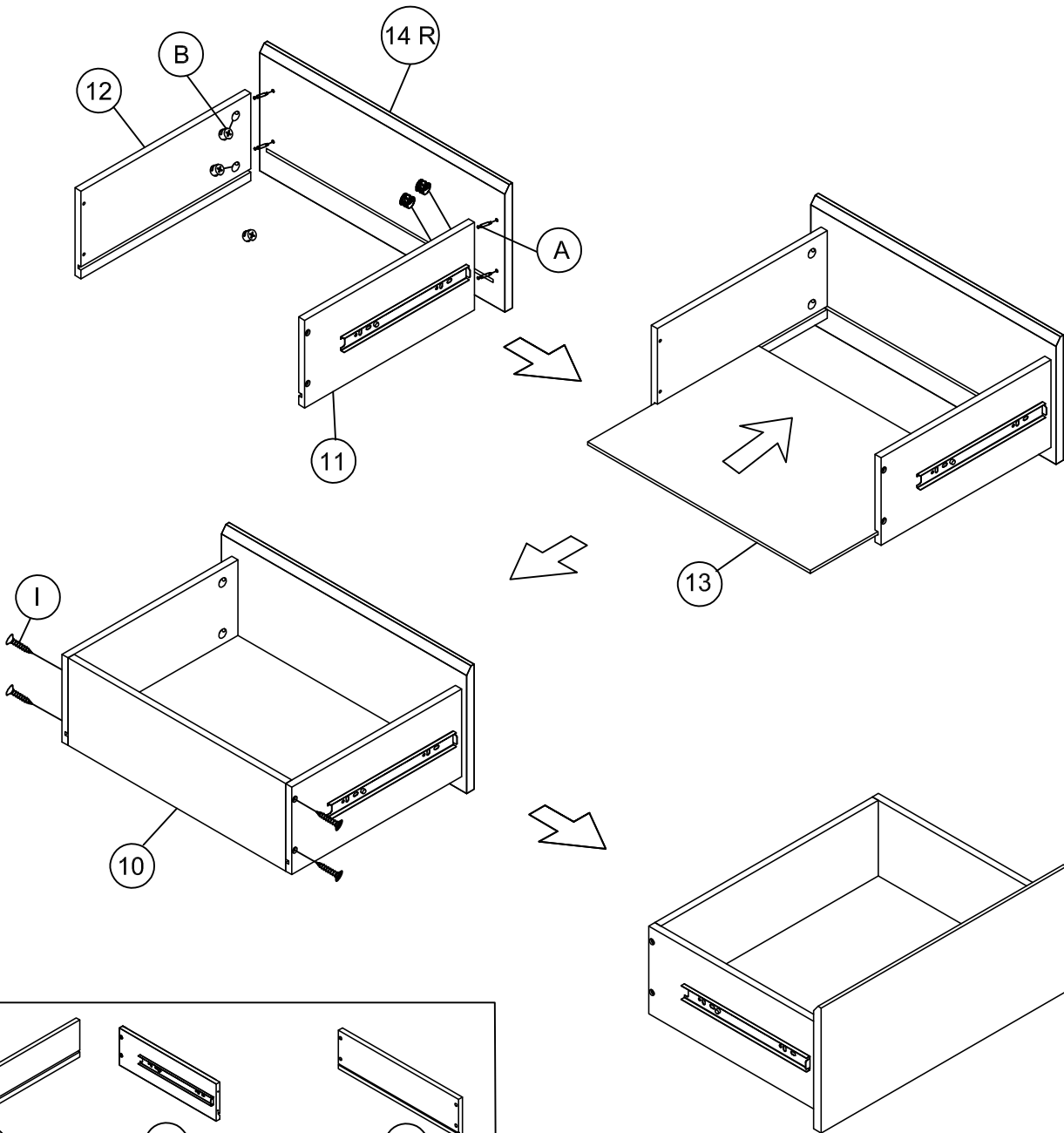


- | | | | | |
|---------------------------------|------------------------------------|-------------------------------------|-----------------------|--|
| | | | | |
| 10
x3
Drawer back panel | 11
x3
Drawer left side panel | 12
x3
Drawer right side panel | | |
| | | | | |
| 13
x3
Drawer bottom panel | 14 L
x3
Drawer front panel | A
x12
Cam-bolts | B
x12
Cam-locks | |
| | | | | |
| | | | I
x12
Screws | |

ASSEMBLY INSTRUCTIONS

WF301021AAE

STEP 7



STEP 8

Place the Cabinet in the desired location against the wall. Mark the position of the attached Hooks on the wall and remove the Cabinet. Using one of the remaining Hooks (K) as a template, Place the Hook (K) under the marks on the wall and mark the two hole positions. Drill the holes for the Anchors (L) and insert the Anchors (L) into the wall. Attach the remaining Hooks (K) to the Anchors (K) with Screw (N). Fully tighten the screws. Return the Cabinet to the selected position and connect the Hooks (K) together with Plastic Tie (M). Assembly is now complete.

