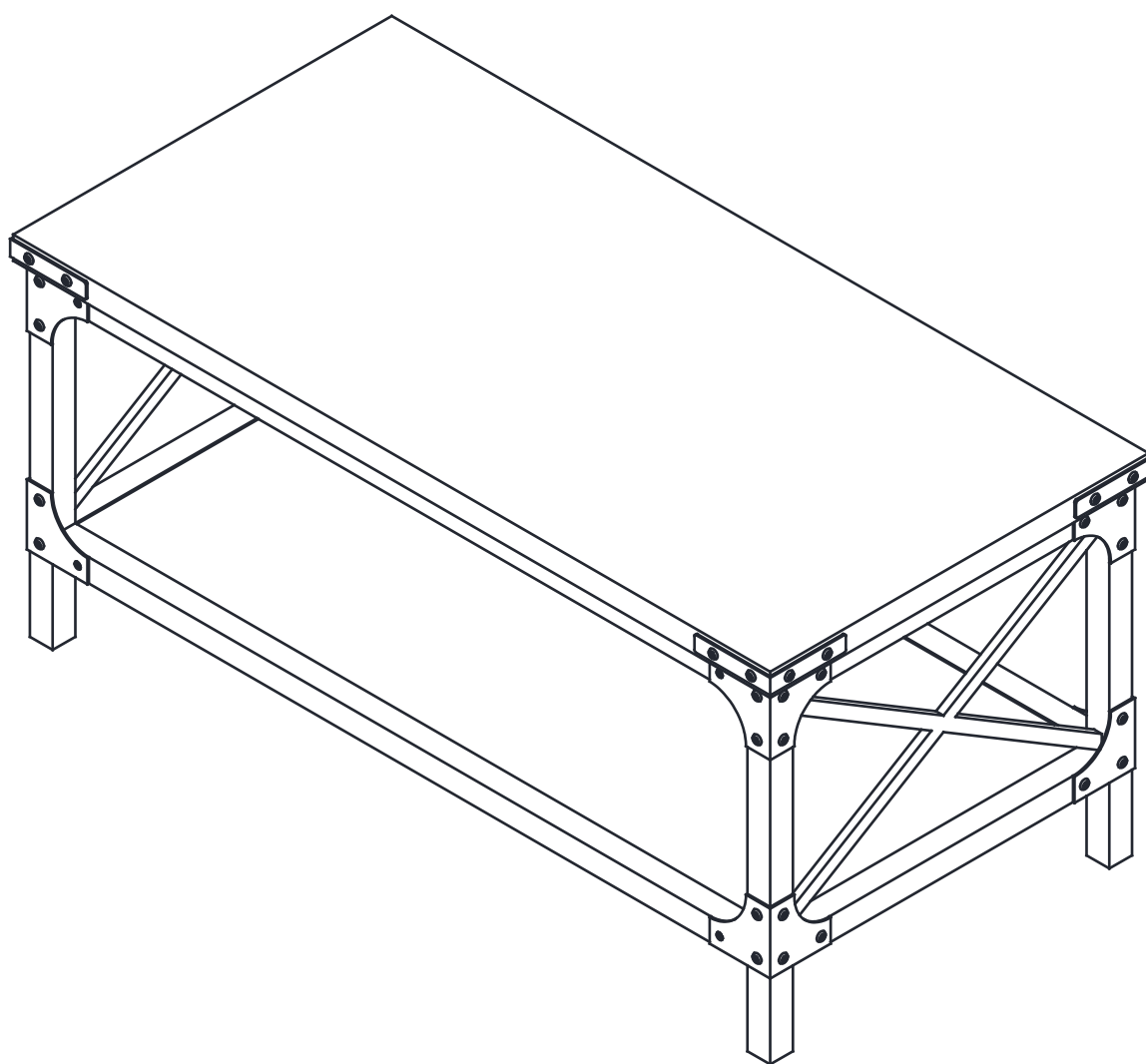


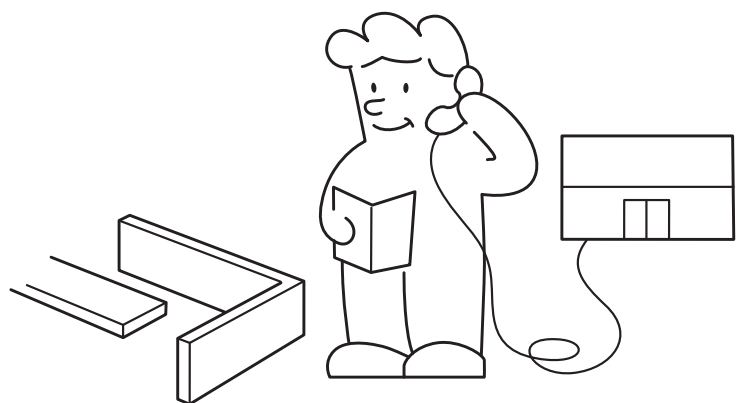
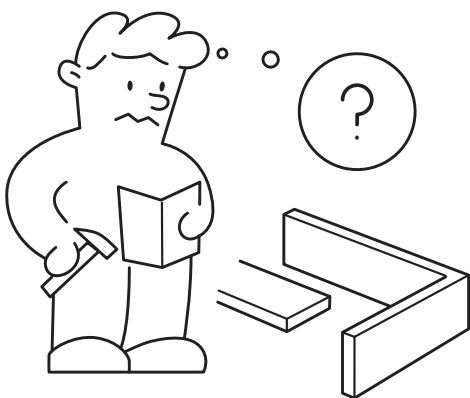
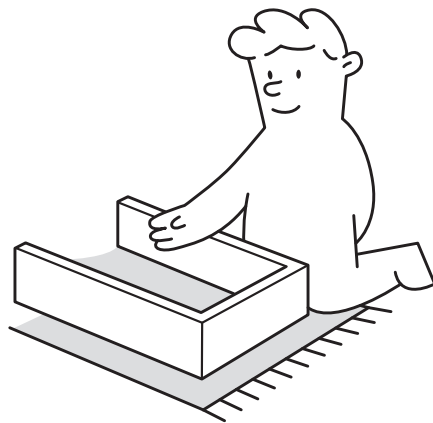
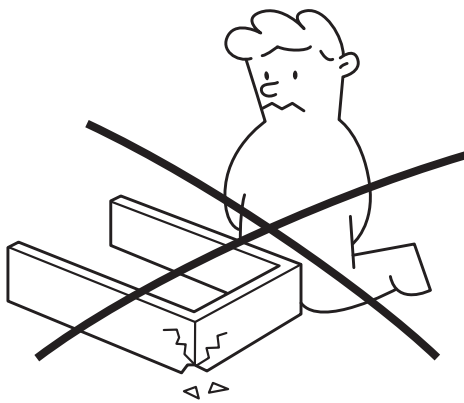
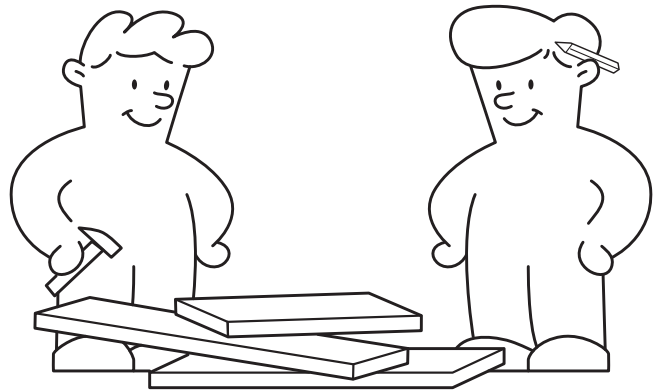
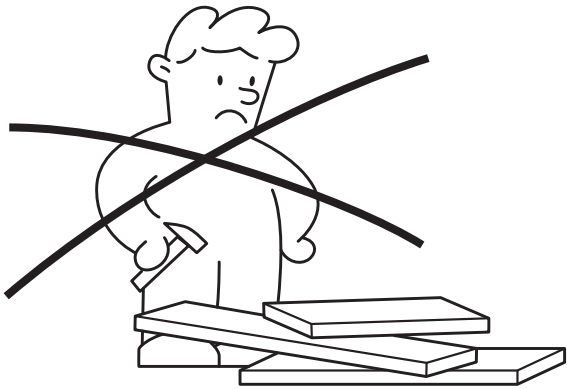
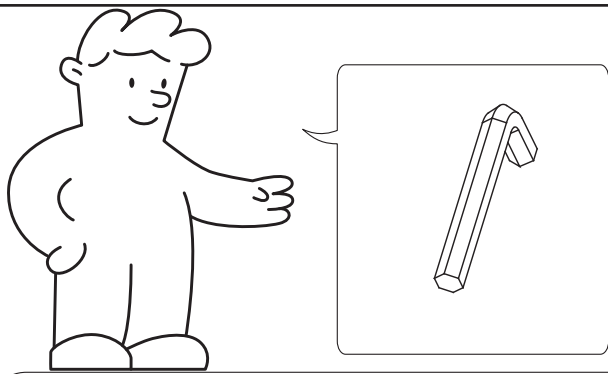
Coffee Table

Instruction manual



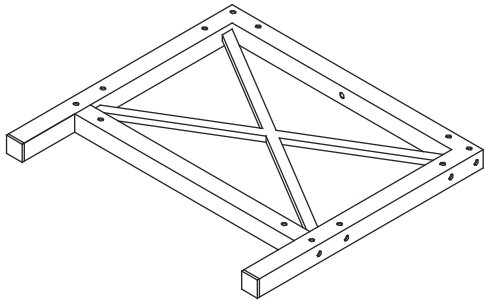
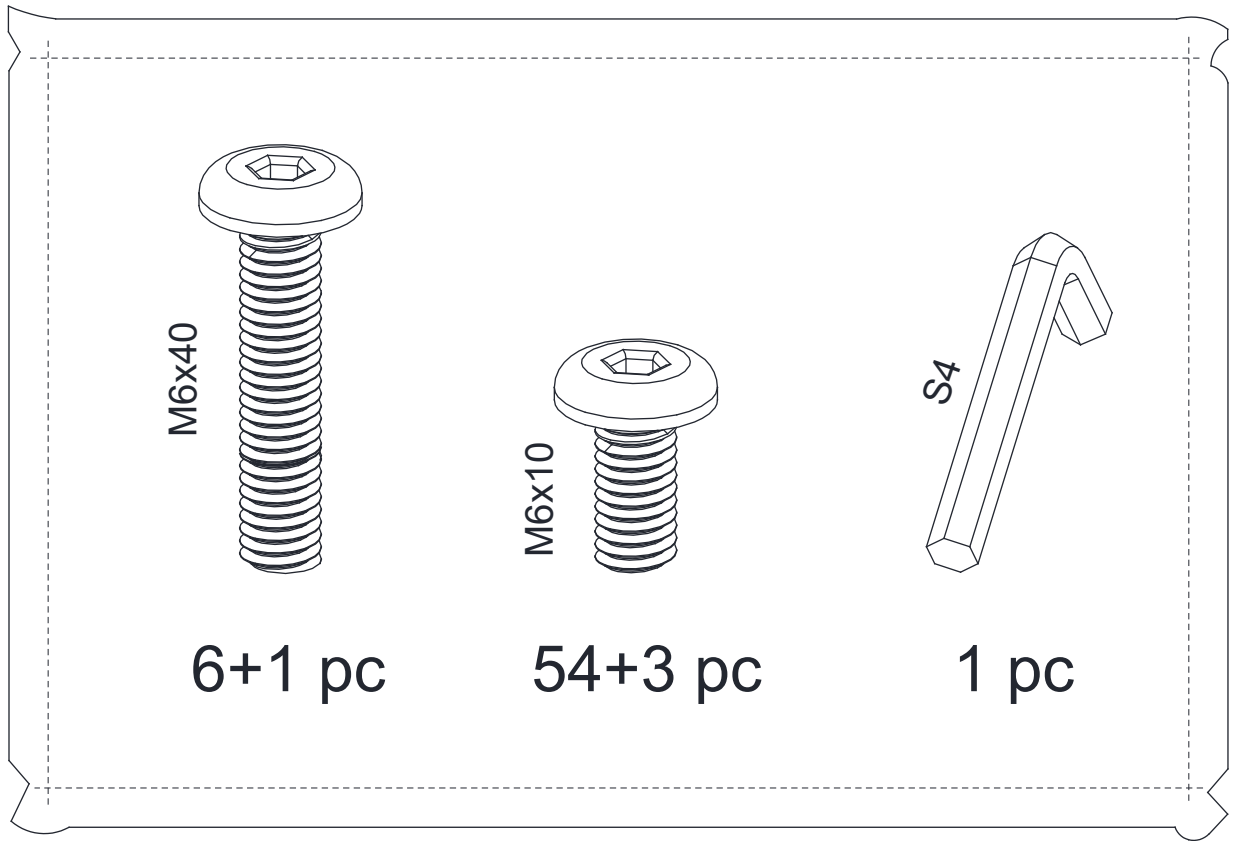
Made in China



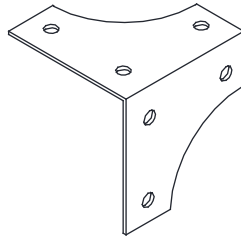


Please read the following instructions carefully:

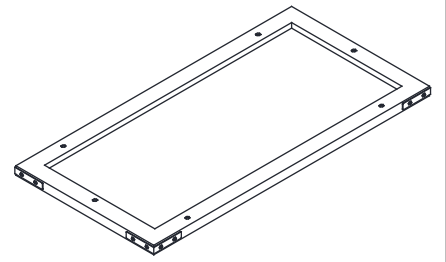
1. You can choose to complete the installation with or without an assistant as needed.
2. To avoid giving you a bad installation experience, please follow the following steps in the installation instructions, and carefully distinguish between screws and boards.
3. Due to the small size of the screw, please put them in a safe position when installing them to avoid accidental ingestion or loss.
4. We offers customers a free lifetime warranty. If you need help regarding product issues, after-sales service, or other relevant problems, please contact us via the email on the cover.



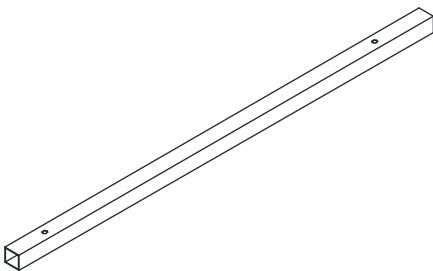
① x2



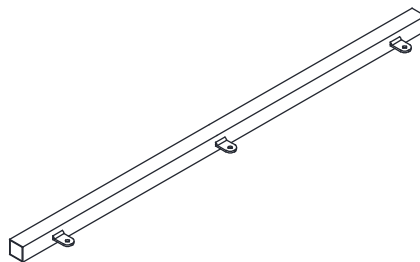
② x8



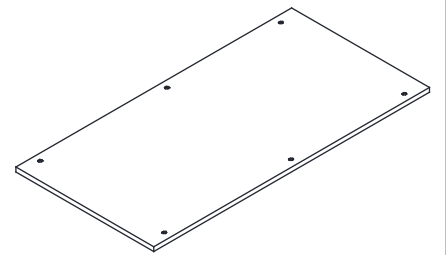
③ x1



④ x2

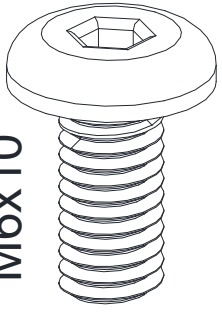


⑤ x2



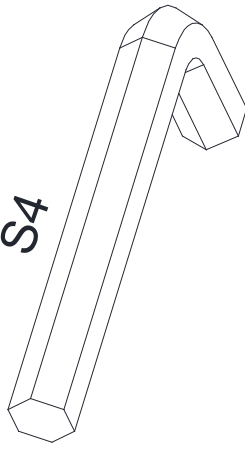
⑥ x8

M6x10

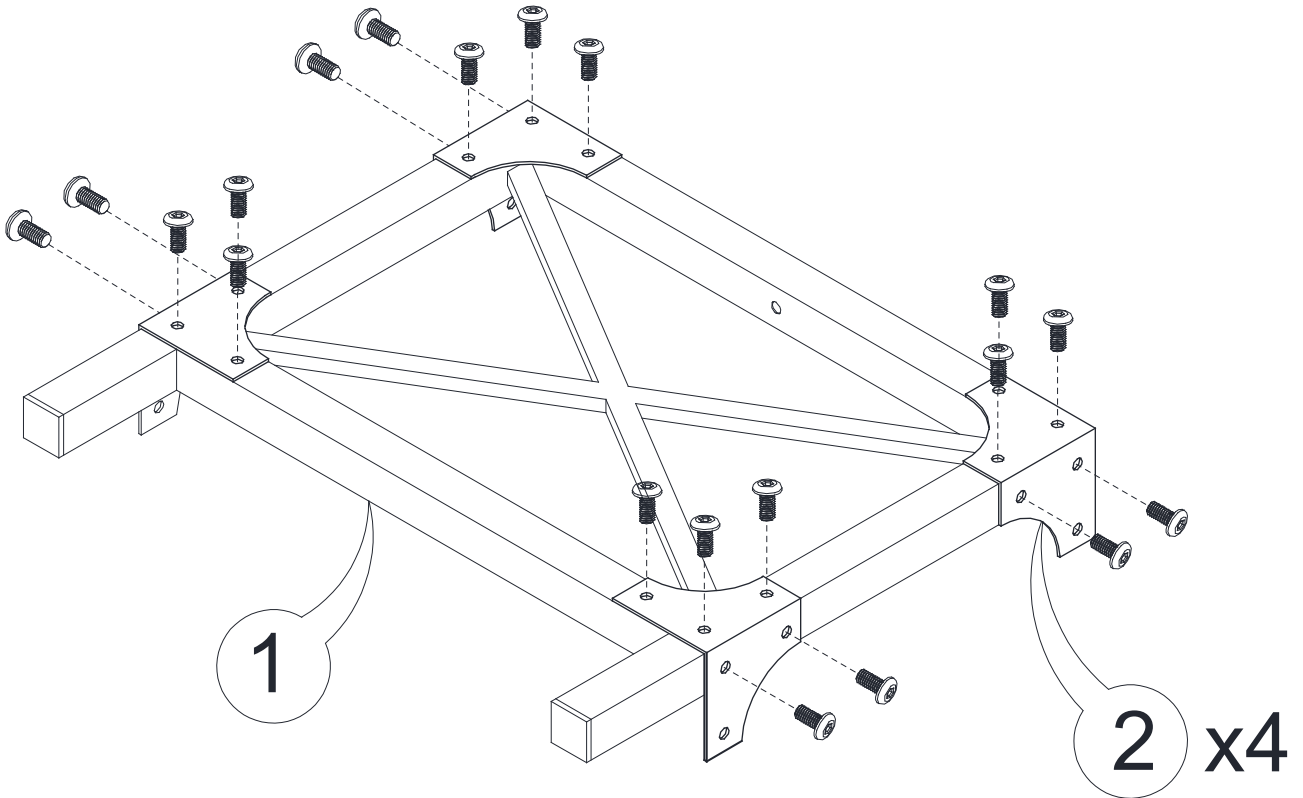
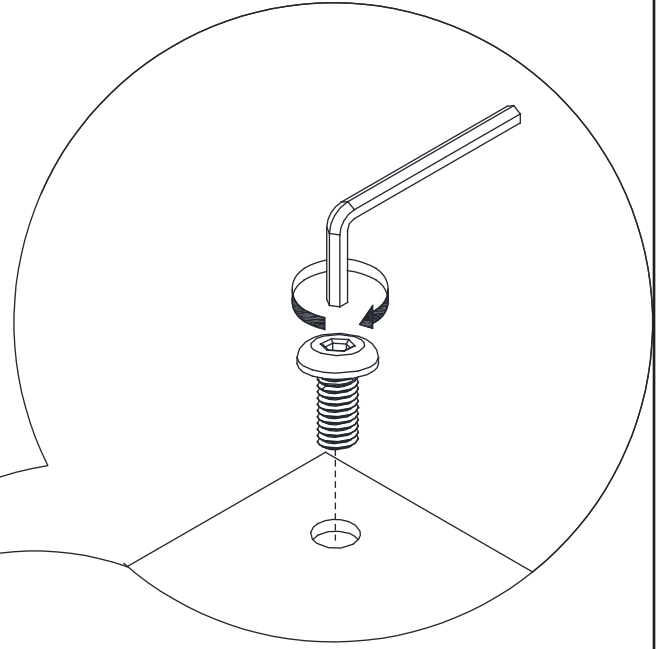


40 pc

S4

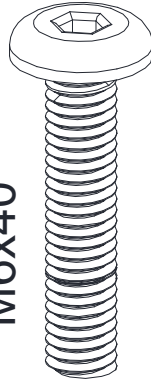


1 pc



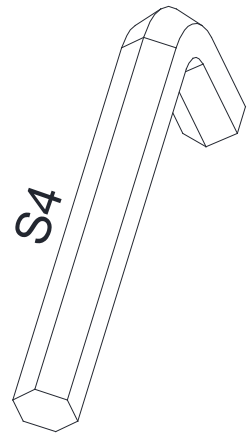
Do the same for the two side frames

M6x40

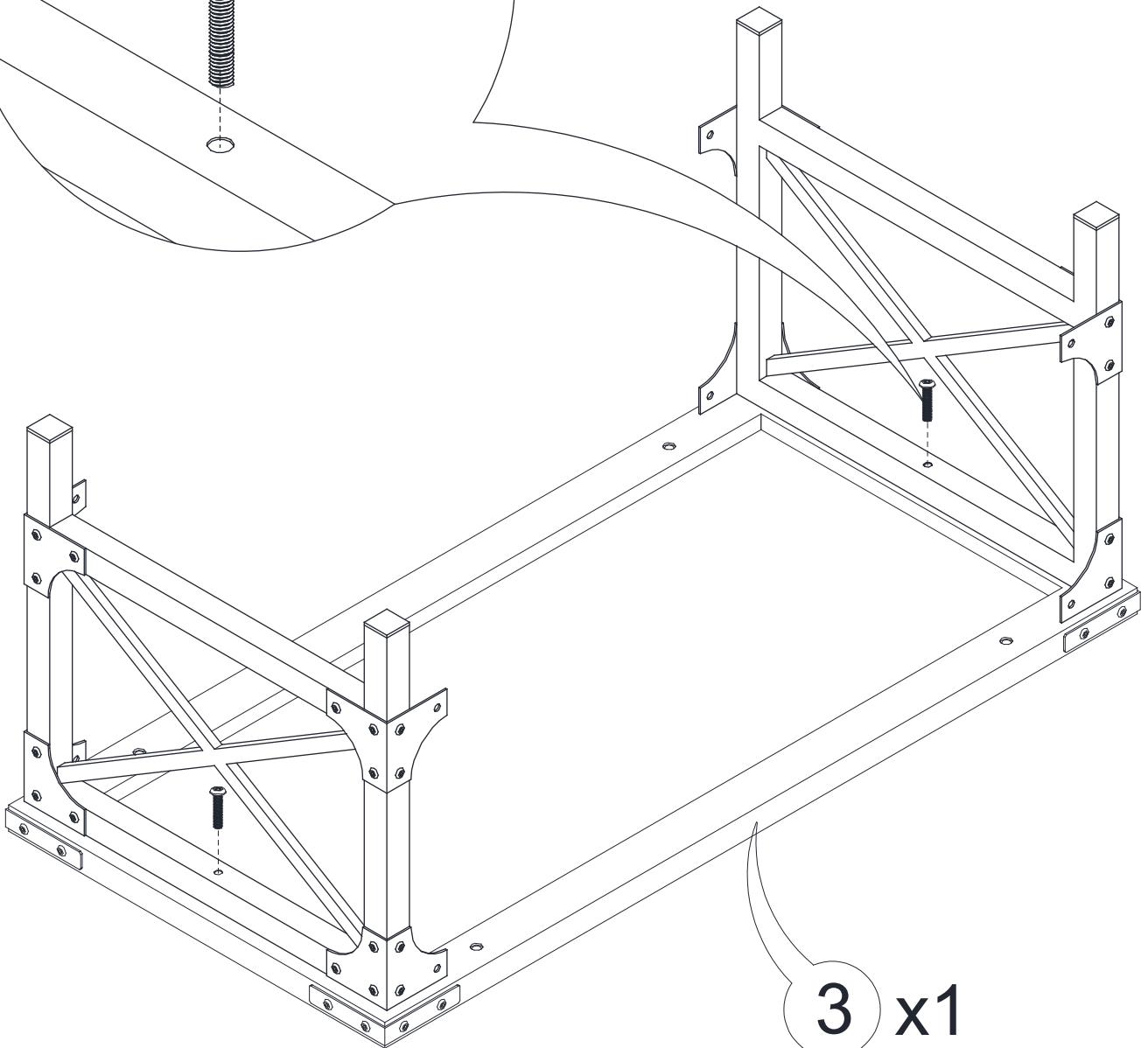
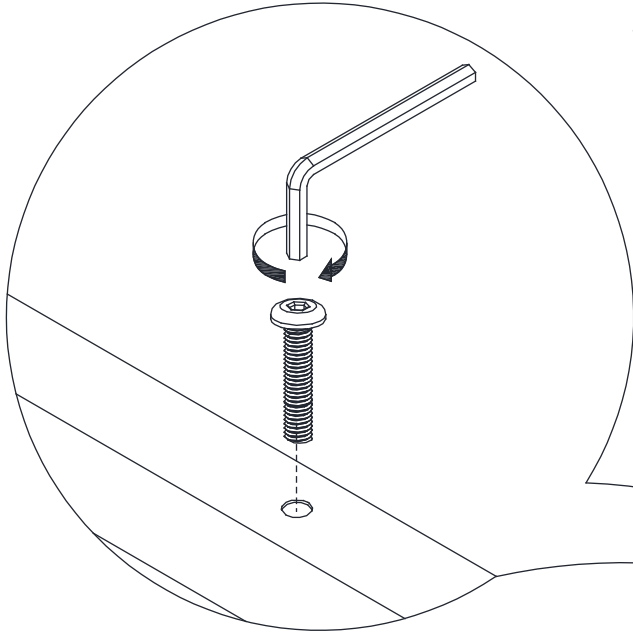


2 pc

S4



1 pc



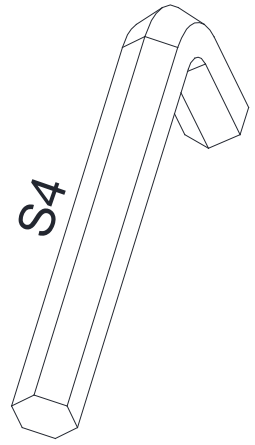
3 x1

M6x40

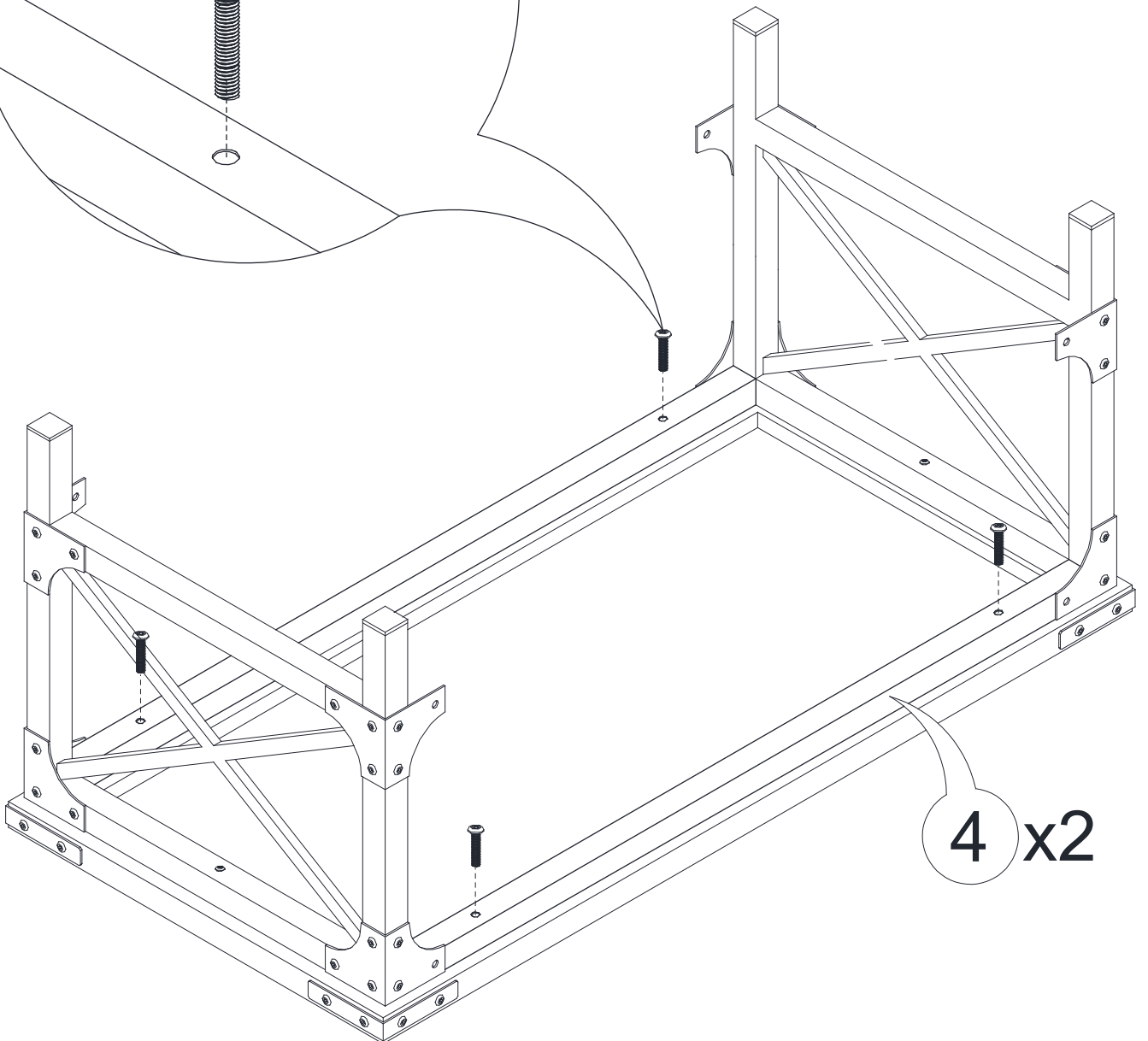
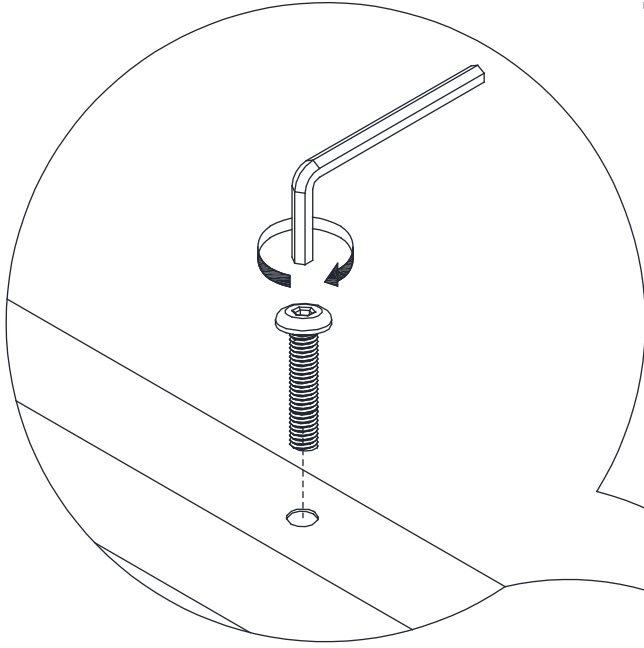


4 pc

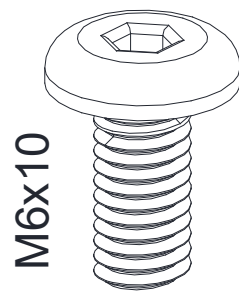
S4



1 pc

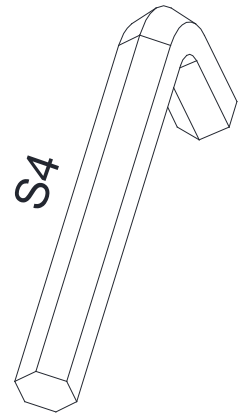


4 x2



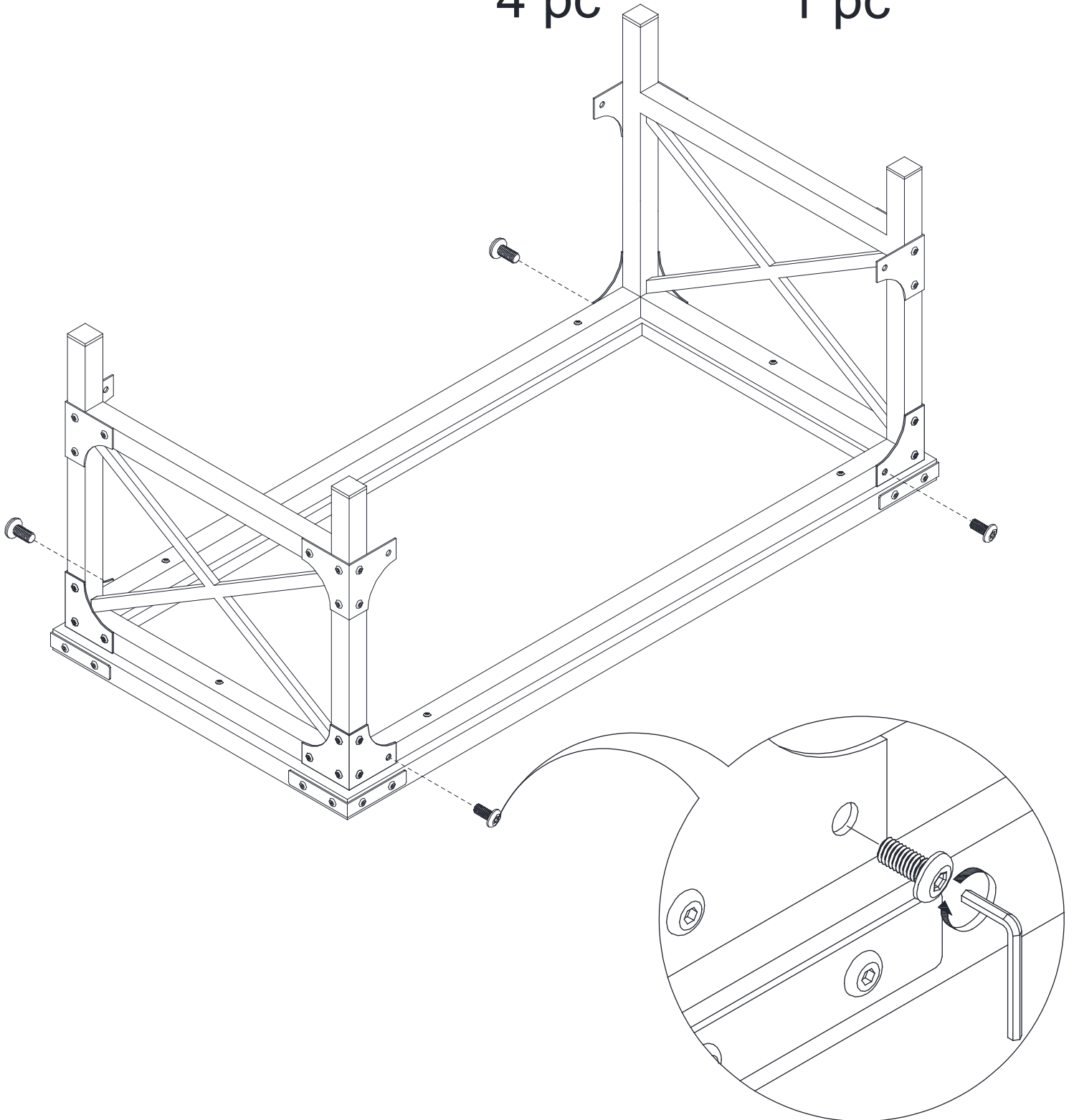
M6x10

4 pc



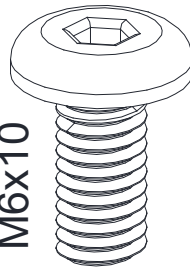
S4

1 pc



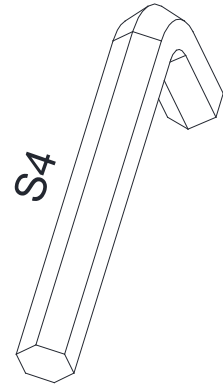
Keep the bulges facing up

M6x10

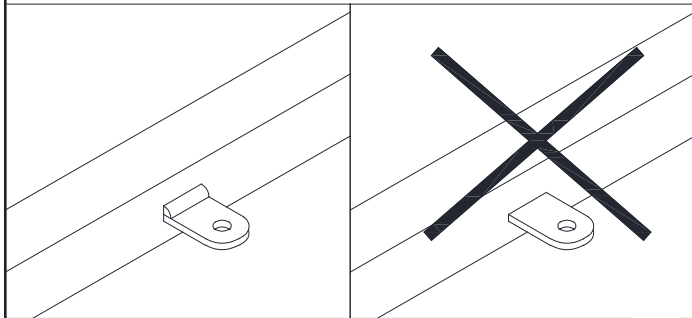


4 pc

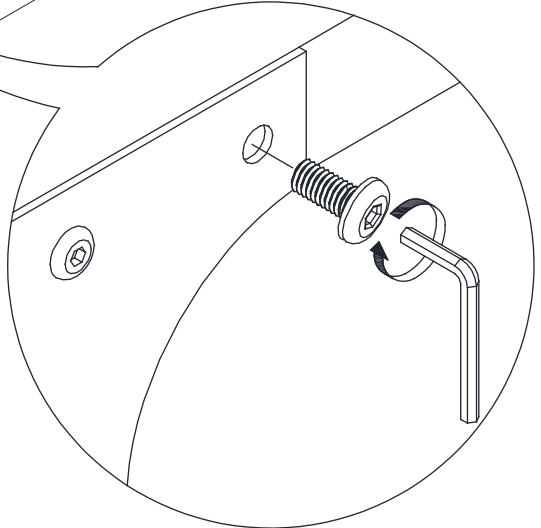
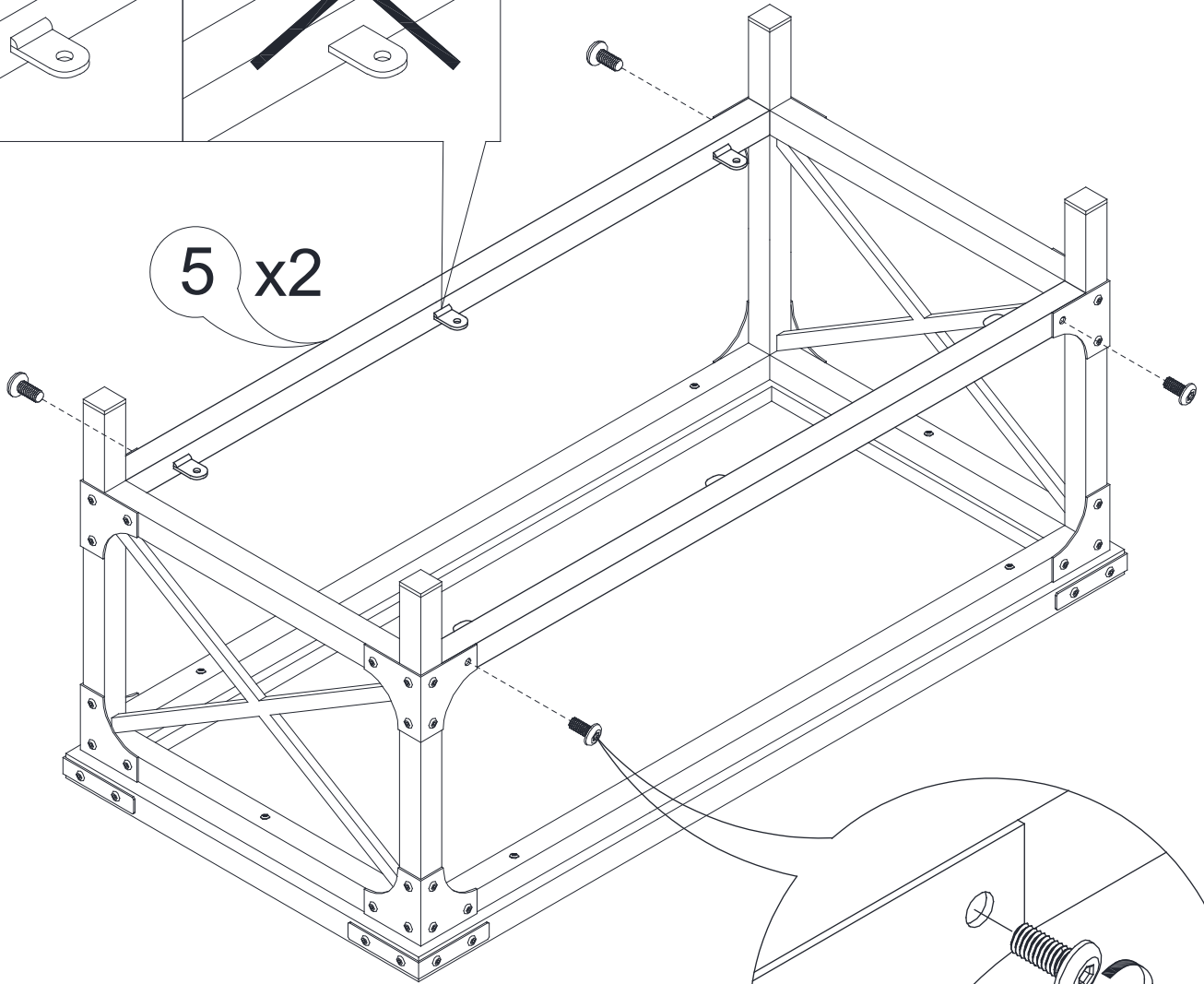
S4



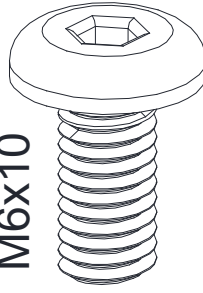
1 pc



5 x2

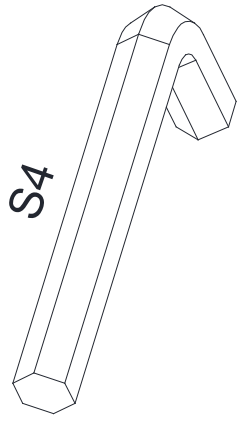


M6x10

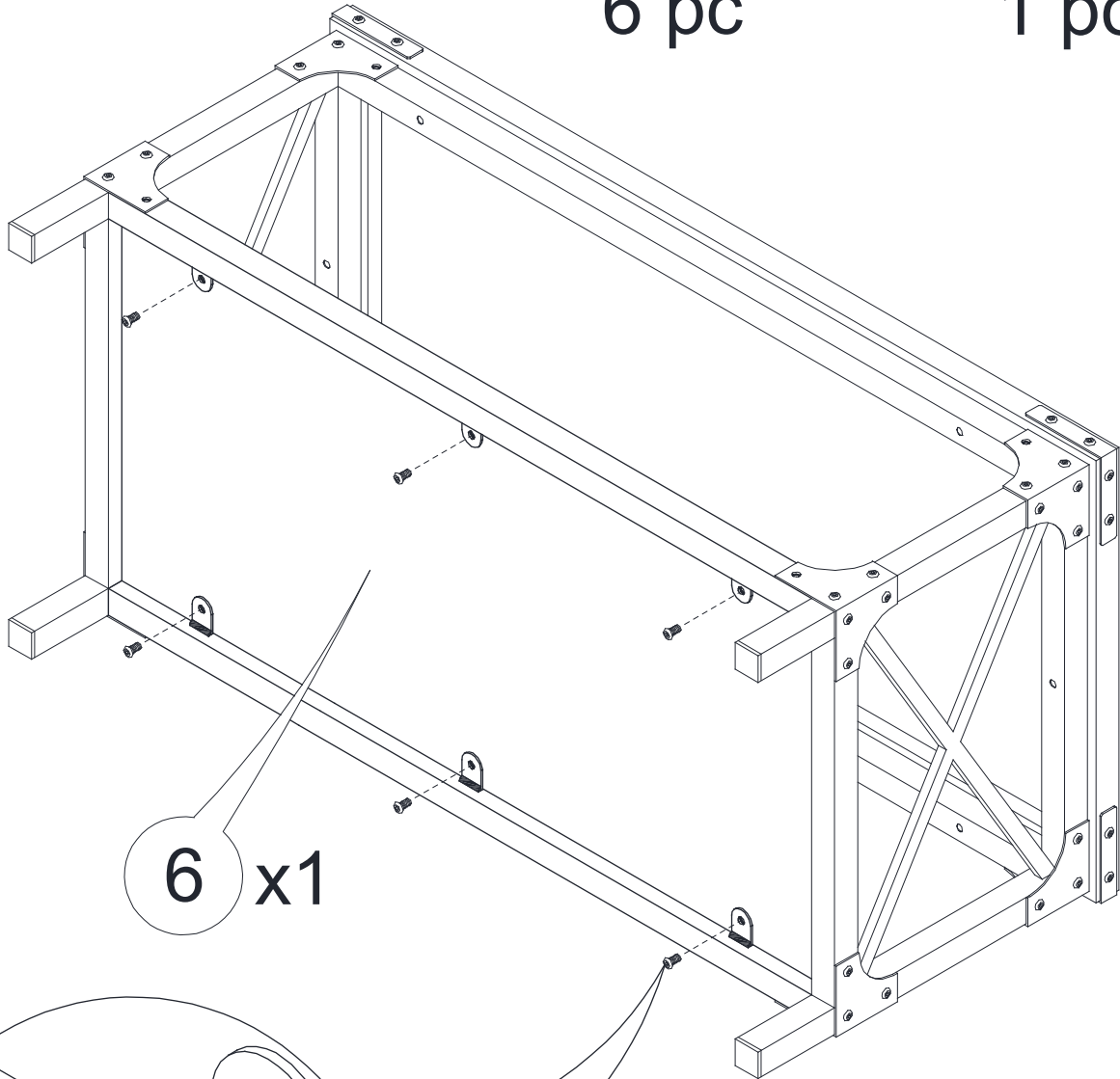


6 pc

S4



1 pc



6 x1

