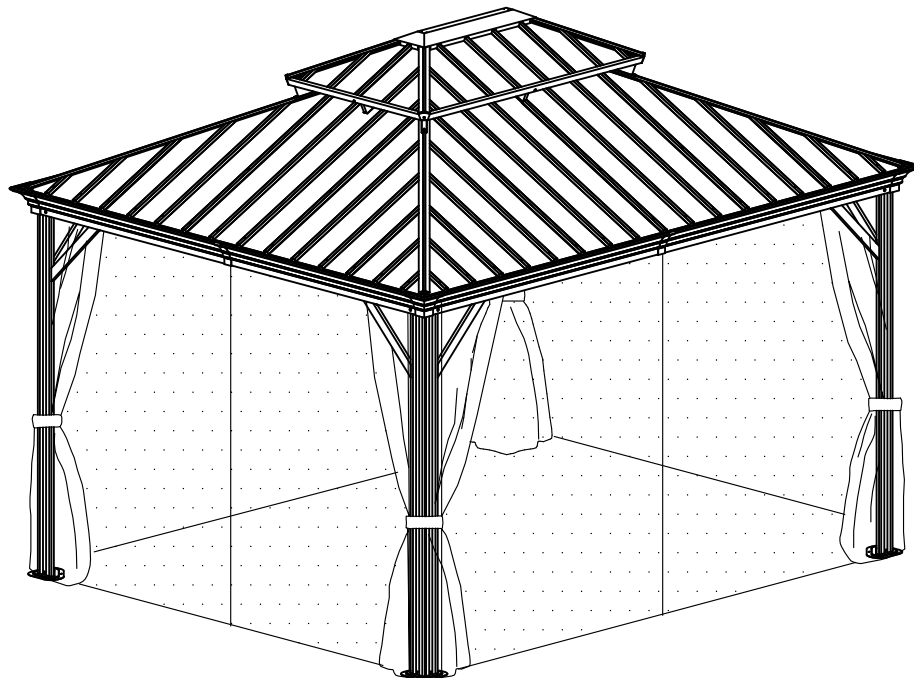


10 x 12FT

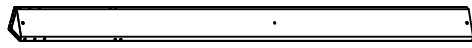
▯ ▯ ▯ ▯ ▯ ▯ ▯ ▯ XWG-213MS-4 ▯ ▯ ▯ ▯ ▯ ▯ ▯ ▯



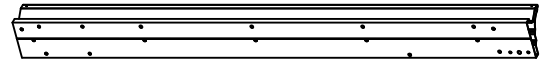
ATTENTION:

1. Please check the manual carefully and make sure you have received all the parts.
2. If there is any missing, please let us know the letter of the parts you need.
3. If there is any damage, please send clear photos to us, we will check and offer you best solution soon.

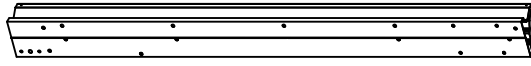
If you have any problems, please feel free to contact us. Our professional customer service and after-sales team are always ready to help you.



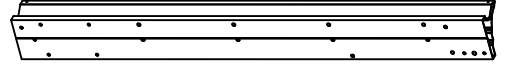
(A9) 4x



(B25) 2x



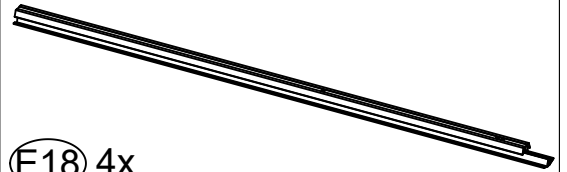
(B26) 2x



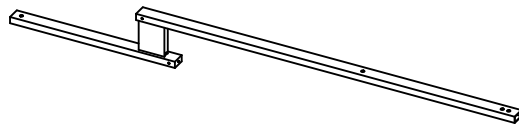
(B27) 2x



(B28) 2x



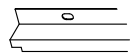
(E18) 4x



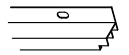
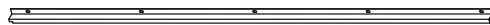
(JE1) 4x



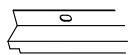
(D8) 4x



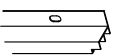
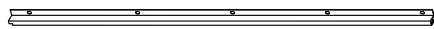
(C1) 2x



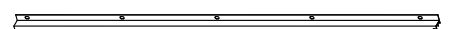
(C2) 2x



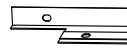
(C9) 2x



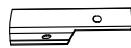
(C10) 2x



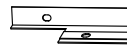
(D1) 2x



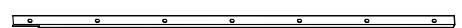
(D2) 2x

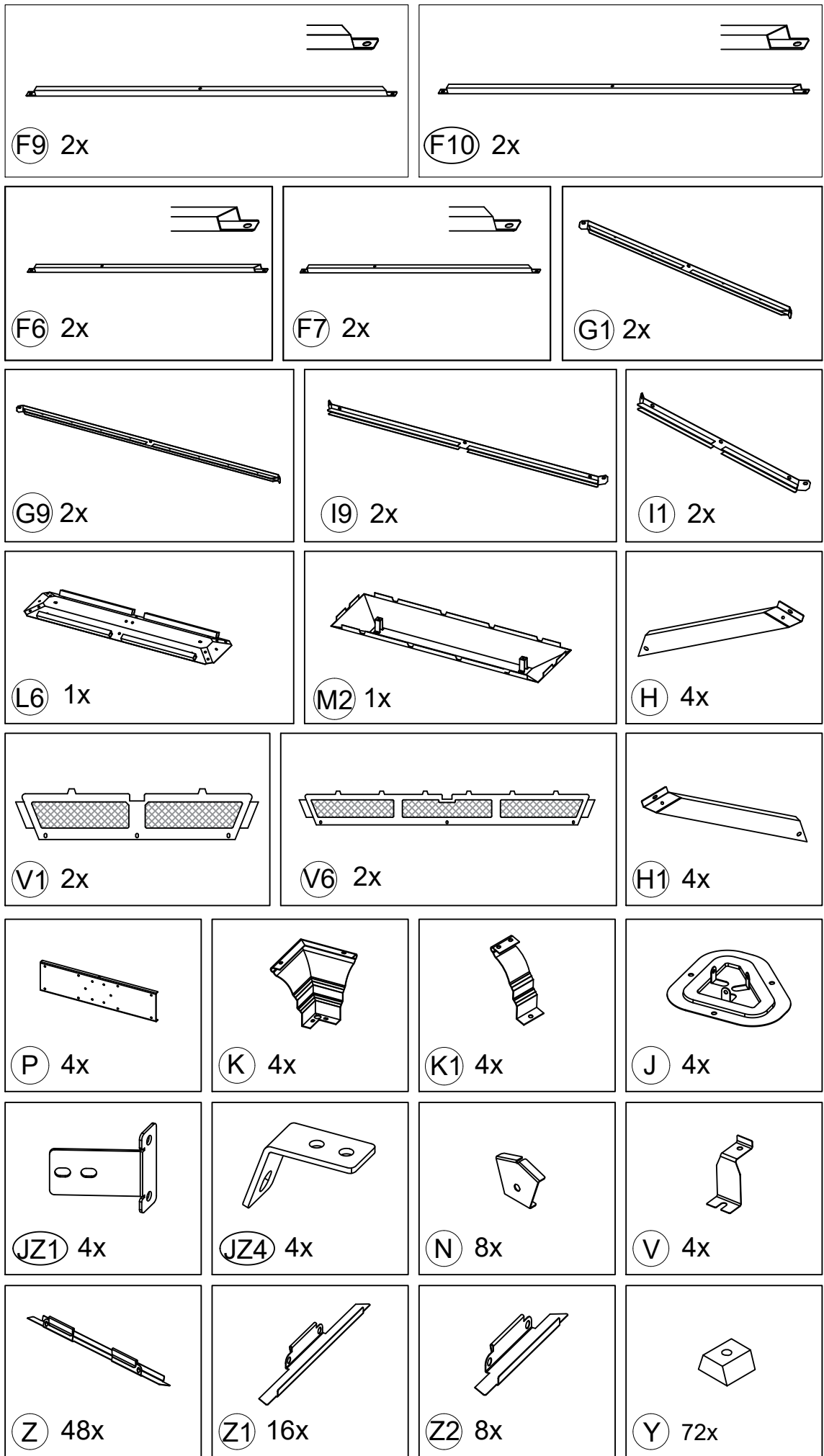




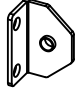
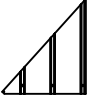
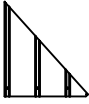
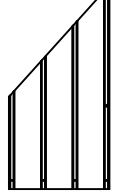
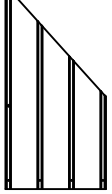
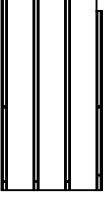
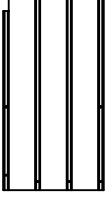
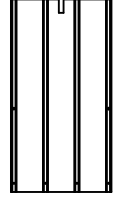
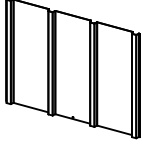
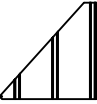
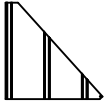
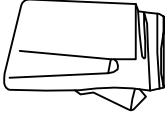
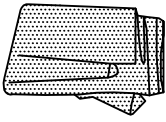










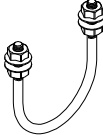

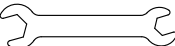

(D9) 2x



(D10) 2x





 U 104x	 W3 8x	 Q4 8x	
 R1 4x	 R2 4x	 Q3 4x	 Q4 4x
 Q5 2x	 Q6 2x	 Q7 2x	 S3 2x
 S1 4x	 S2 4x	 T 4x	 T1 4x
 M6x15 1 224x	 M6x23 2 60x	 M6x25 3 2x	 ST 4.8x12 4 24x
 5 2x	 M6x42 6 2x	 M6x45 7 8x	 8 16x
 M6x10 9 8x	 M8x50 10 12x	 11 1x	 4mm 12 2x
 14 1x	 M5x15 15 40x		

<1>

A9 4x



Q4 8x



W3 8x



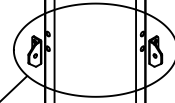
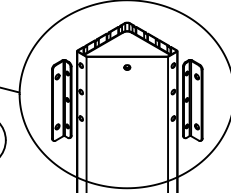
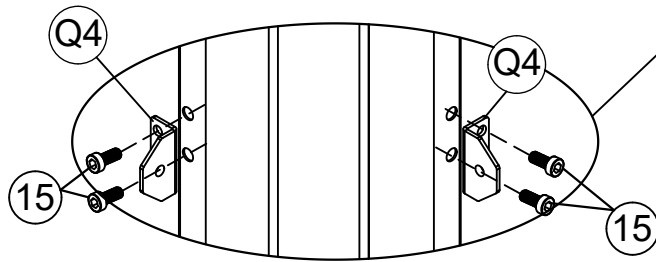
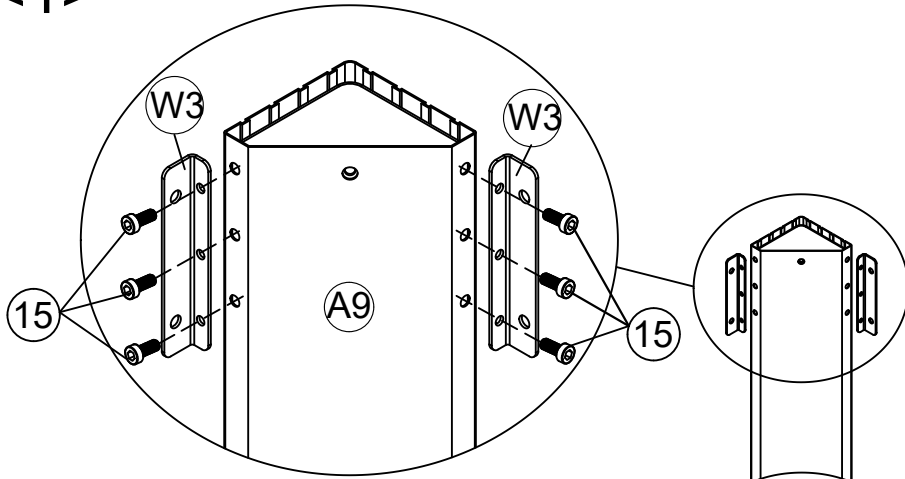
J 4x



M5x15
15 40x

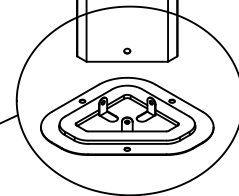
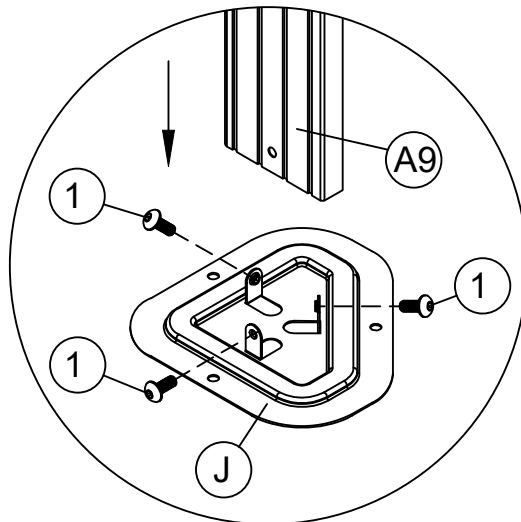


M6x15
1 12x



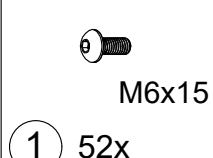
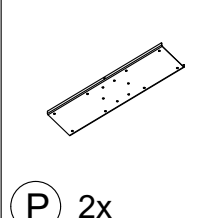
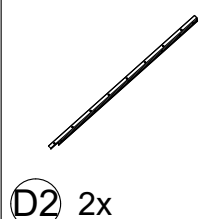
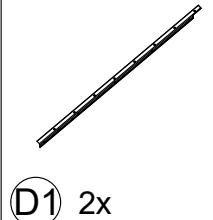
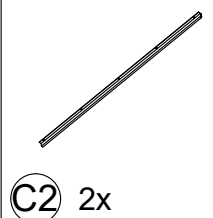
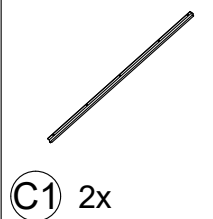
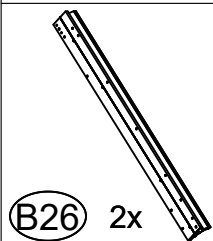
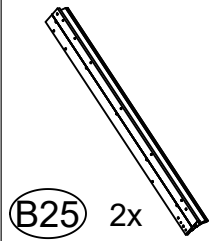
A9

1 12x

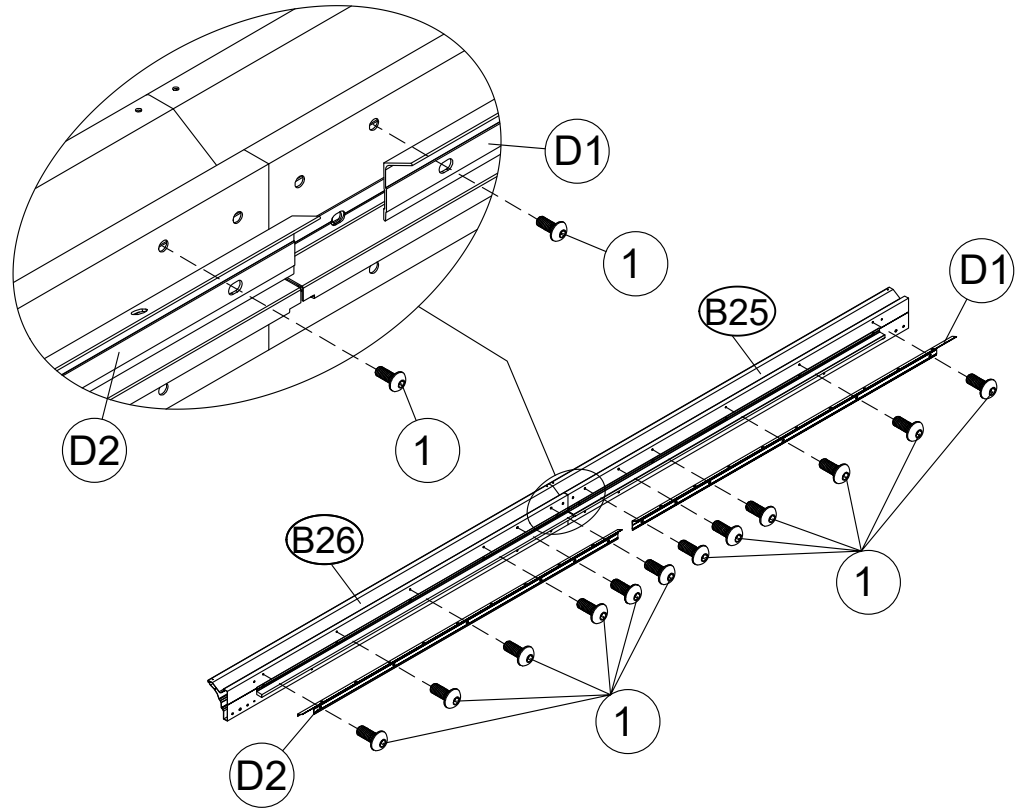
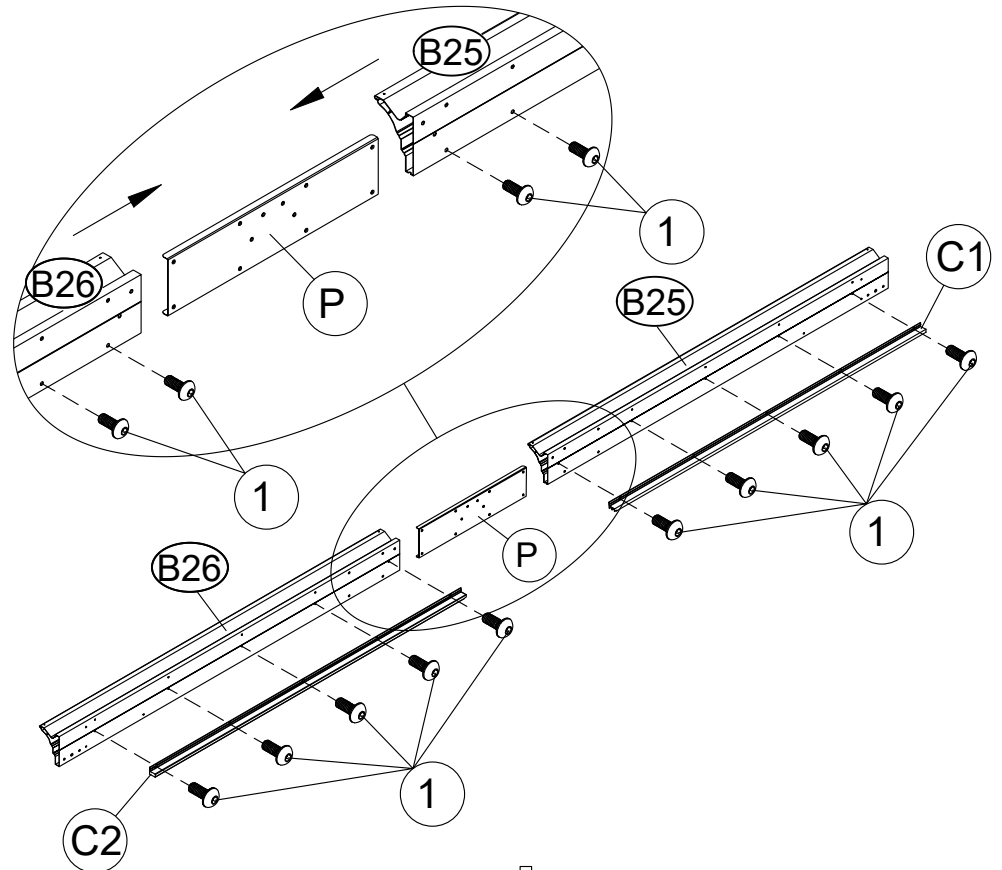


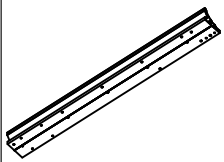
5

<2>

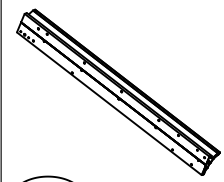


6

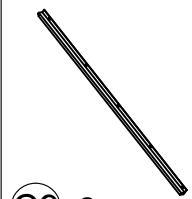




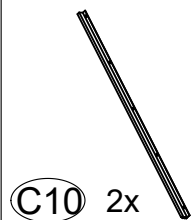
B27 2x



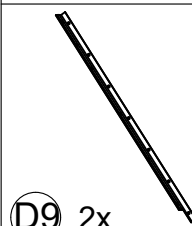
B28 2x



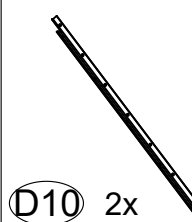
C9 2x



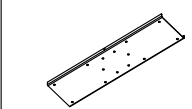
C10 2x



D9 2x



D10 2x



P 2x

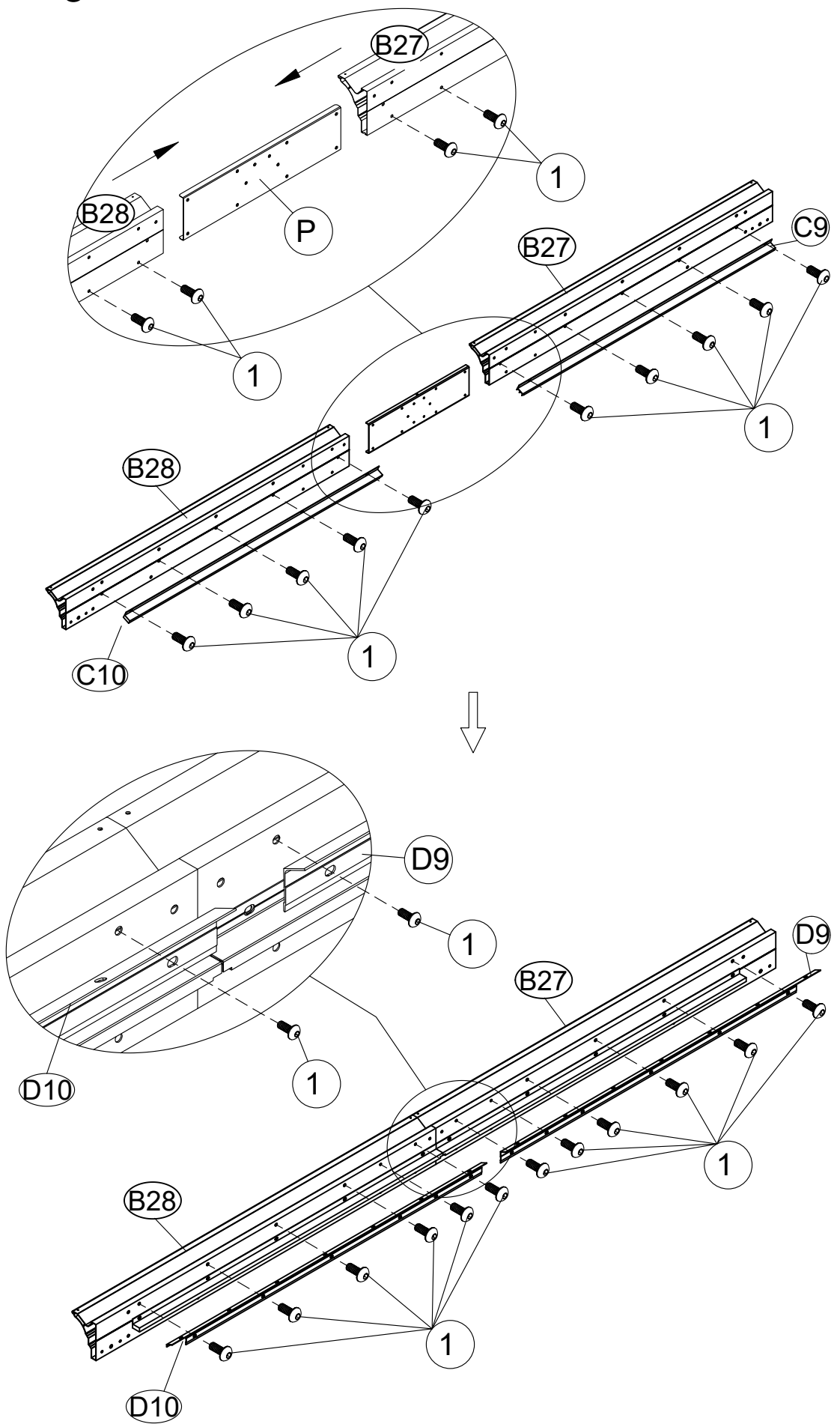


M6x15

1 52x

7

<3>





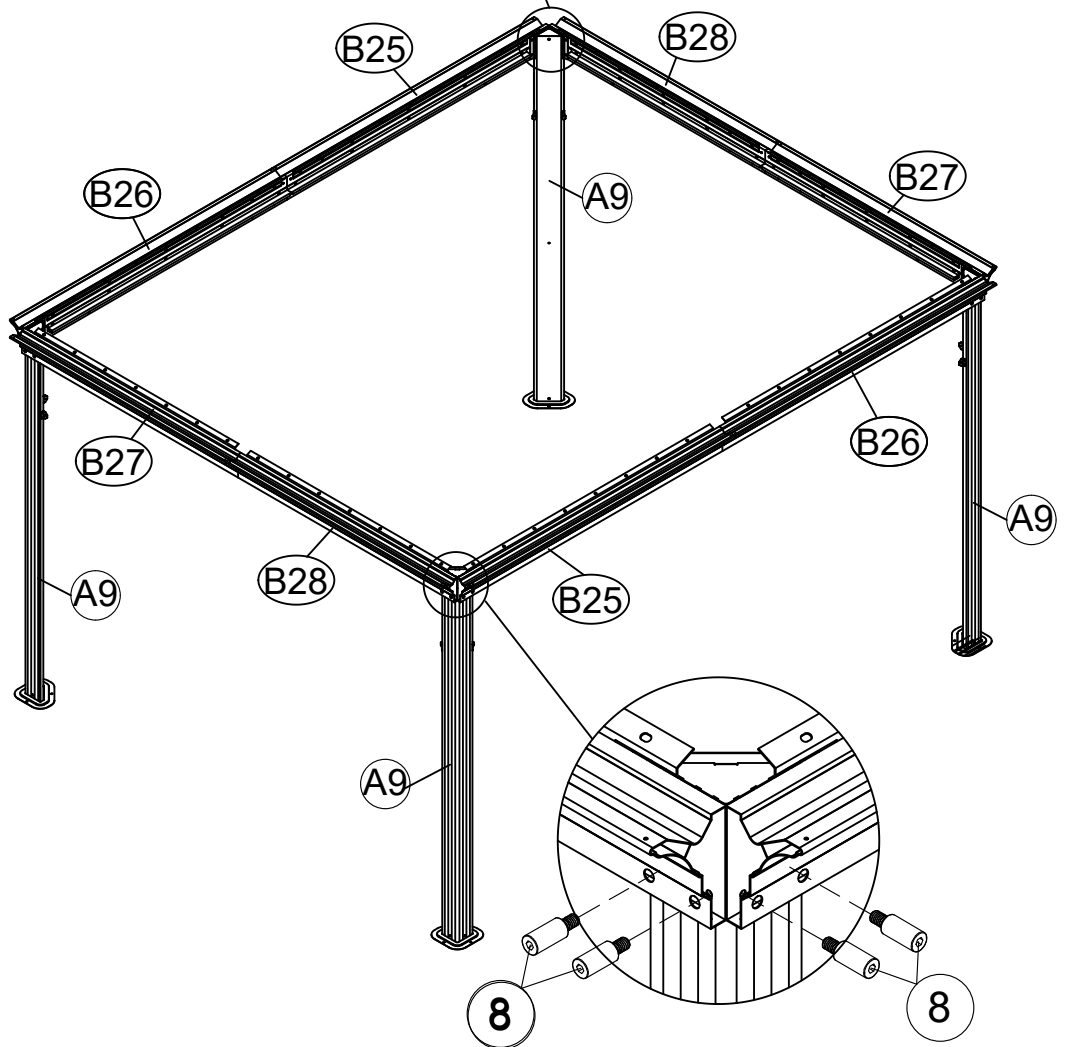
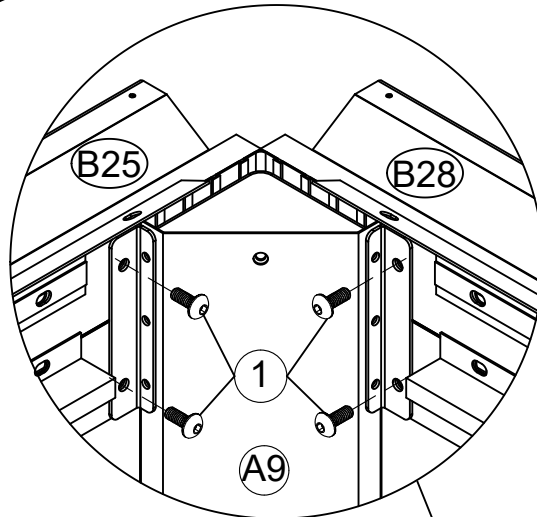
M6x15

1 16x

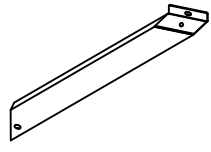


8 16x

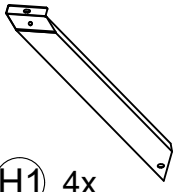
<4>



8



(H) 4x

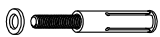


(H1) 4x



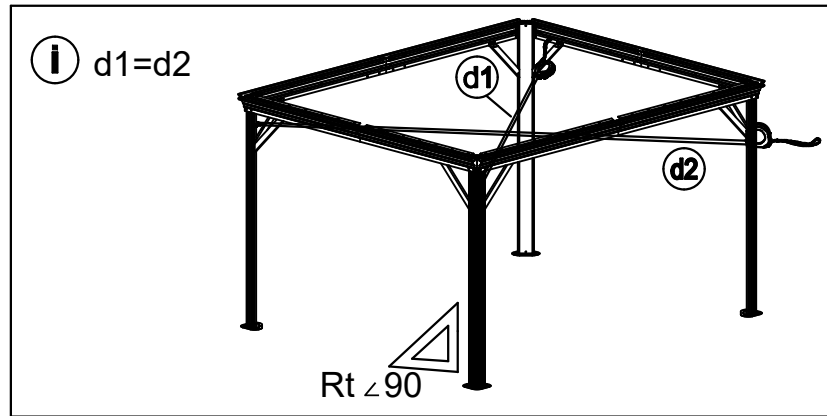
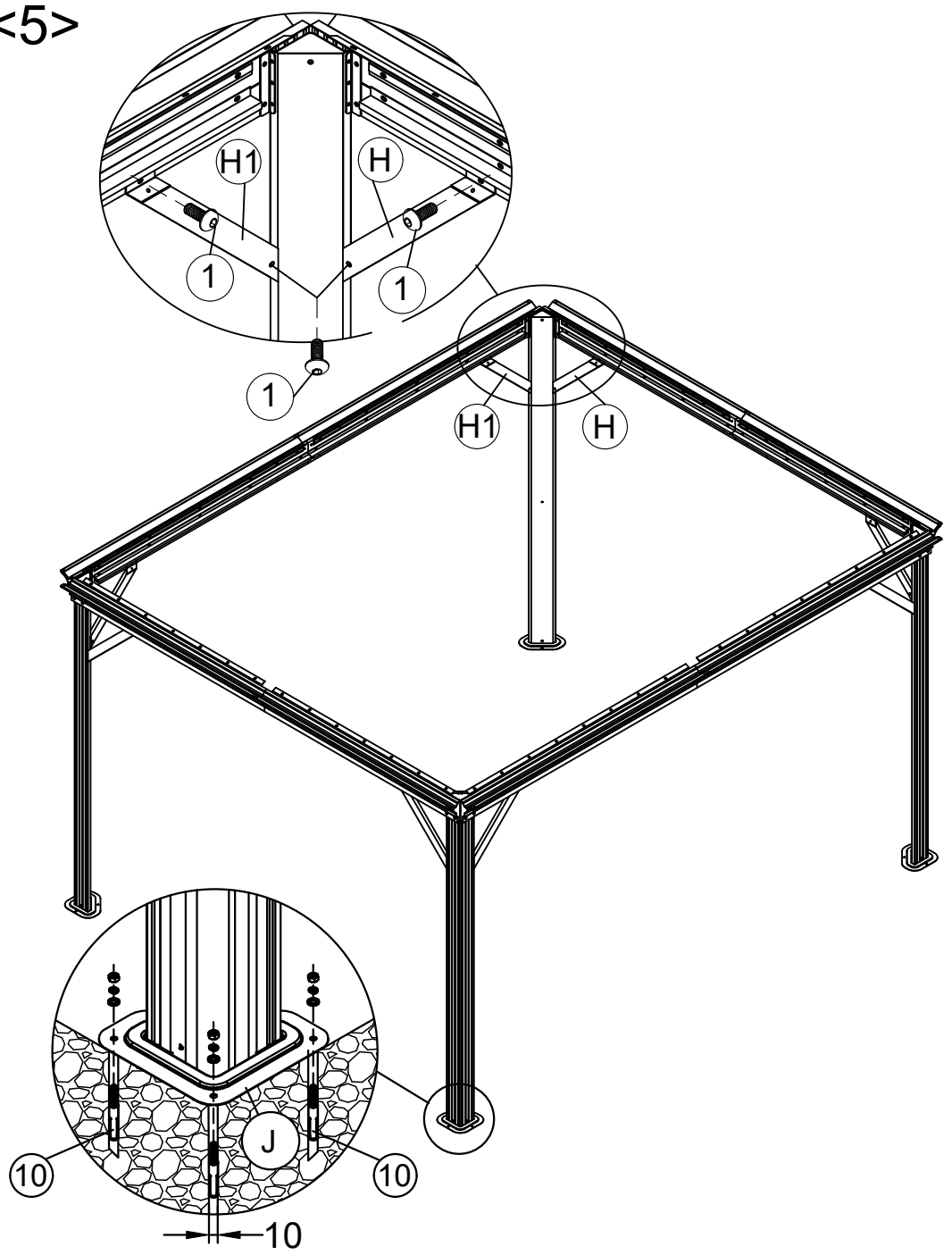
M6x15

(1) 16x

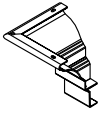


(10) 12x

<5>



Tips: Please measure to make sure the length of d1 is equal to d2 before moving to next step to ensure a square frame and best results. Keep the beam at right angles to the post, the post at right angles to the ground, and keep the beam horizontal.



K 4x



K1 4x



U 104x



V 4x

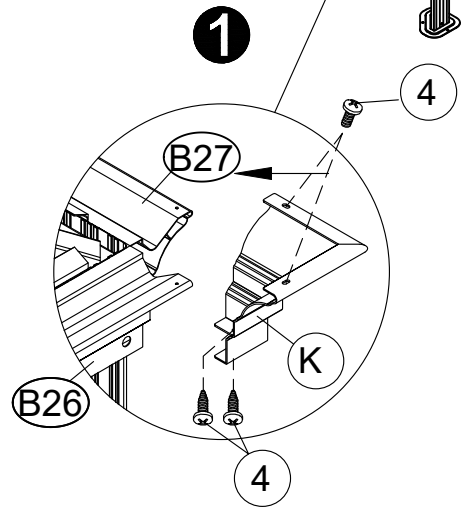
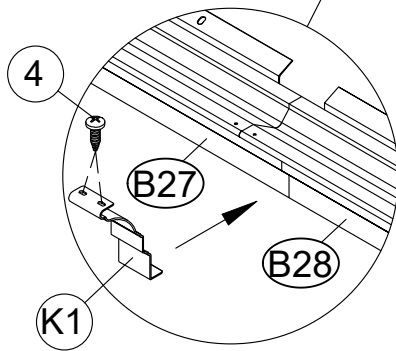
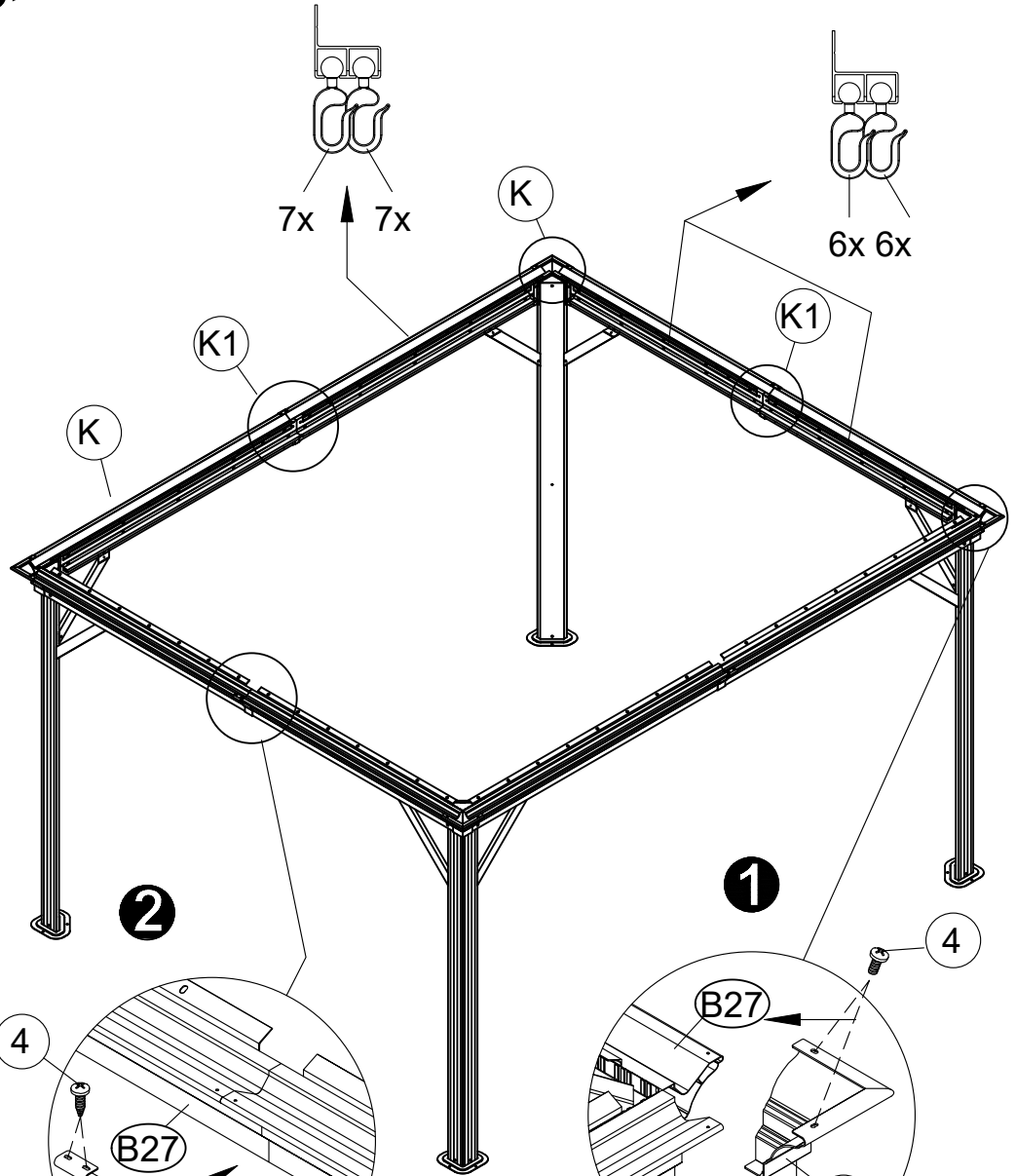


1 4x M6x15

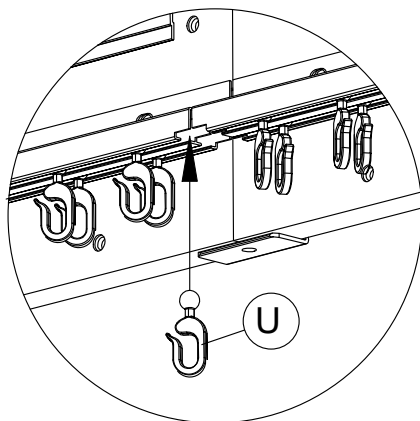


4 24x ST4.8x12

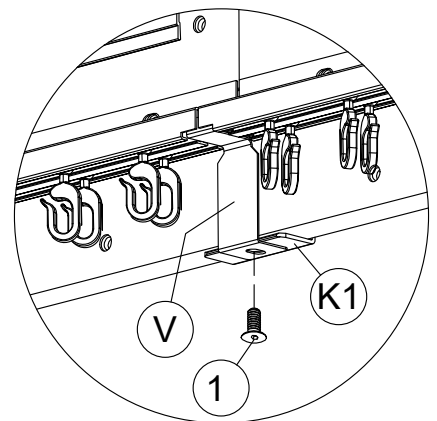
<6>



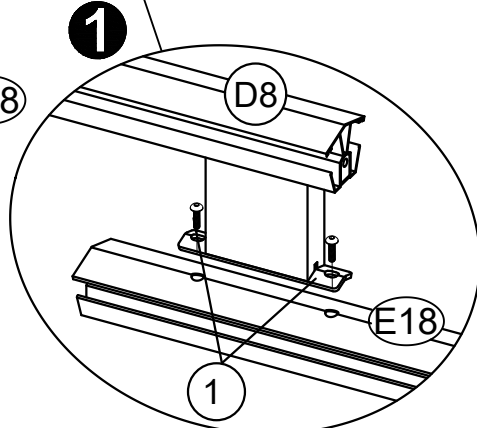
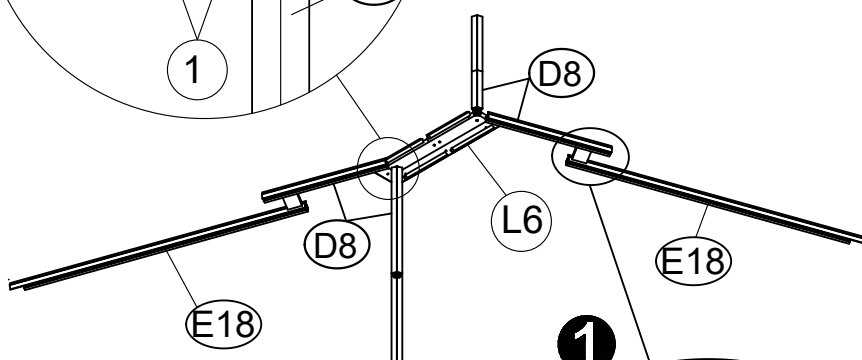
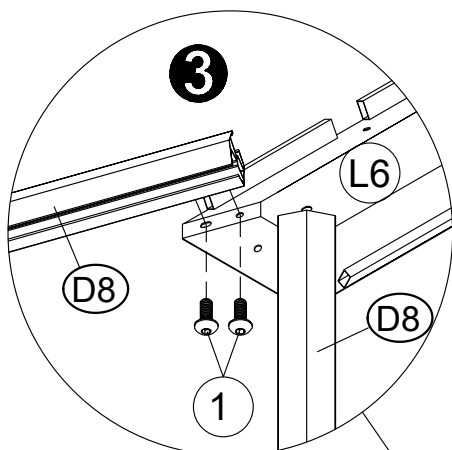
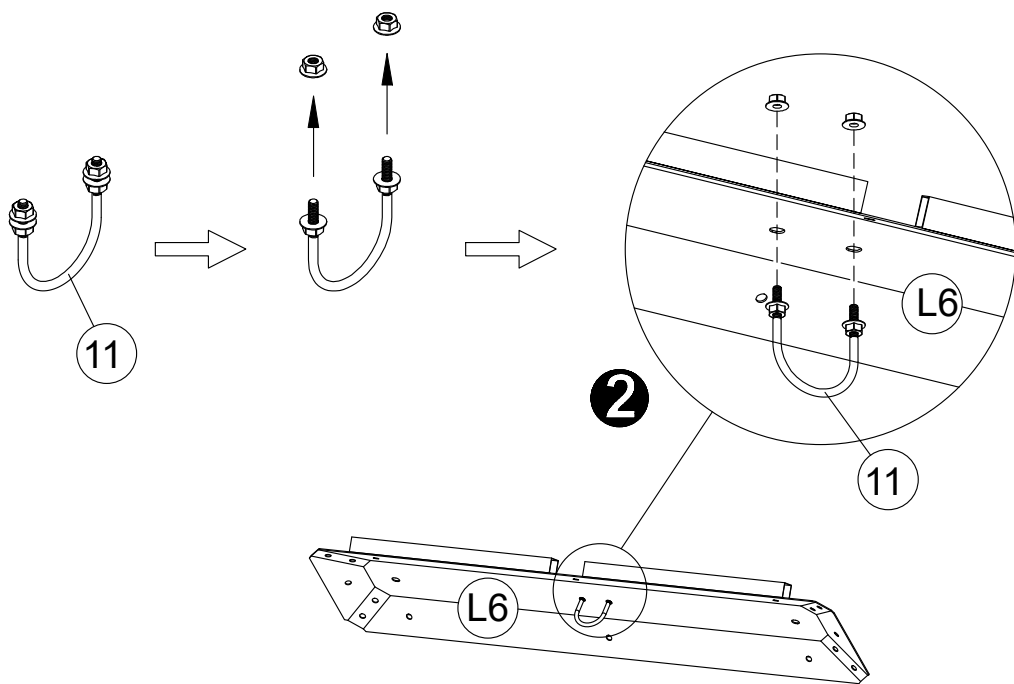
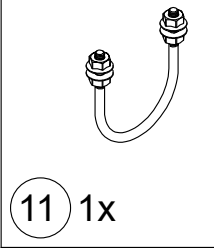
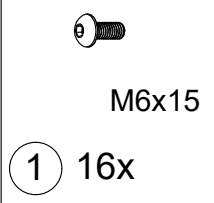
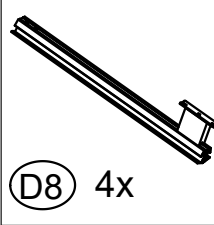
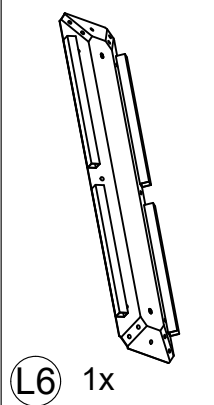
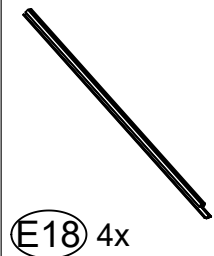
3

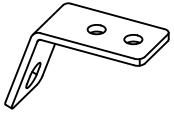


4



<7>





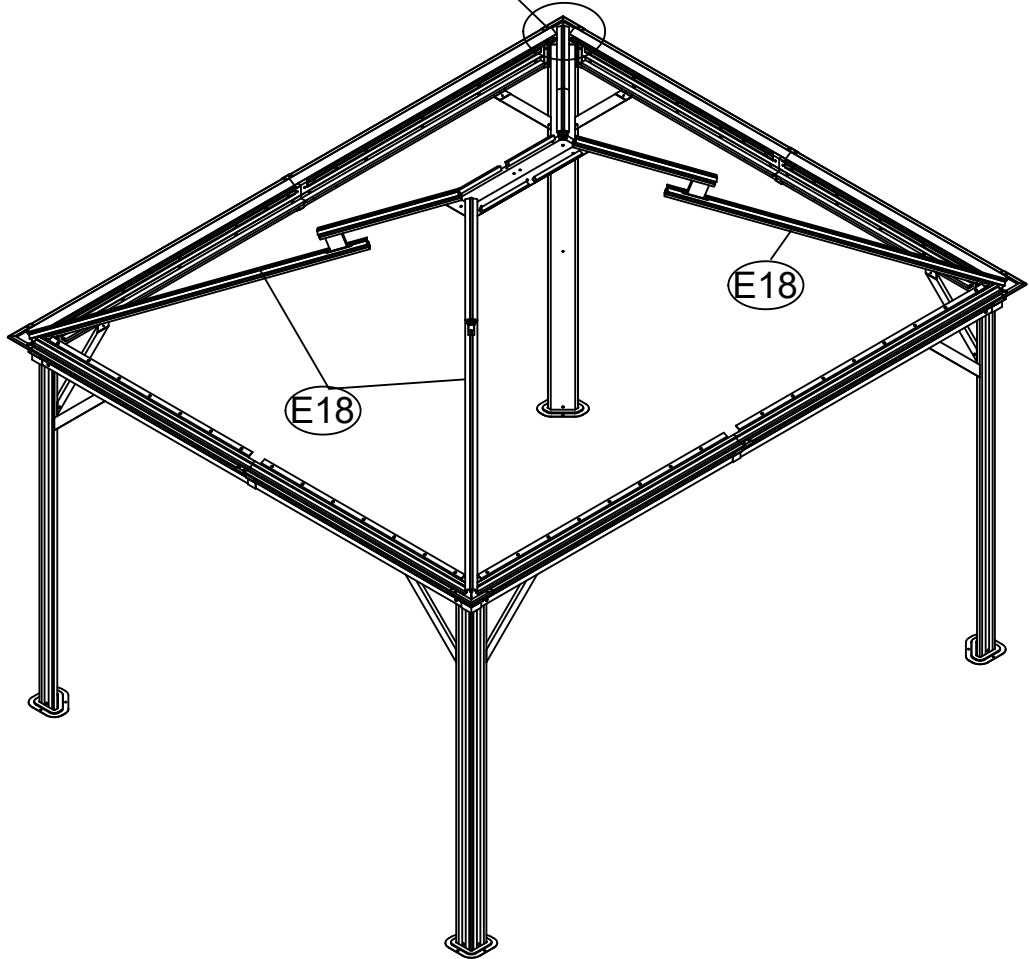
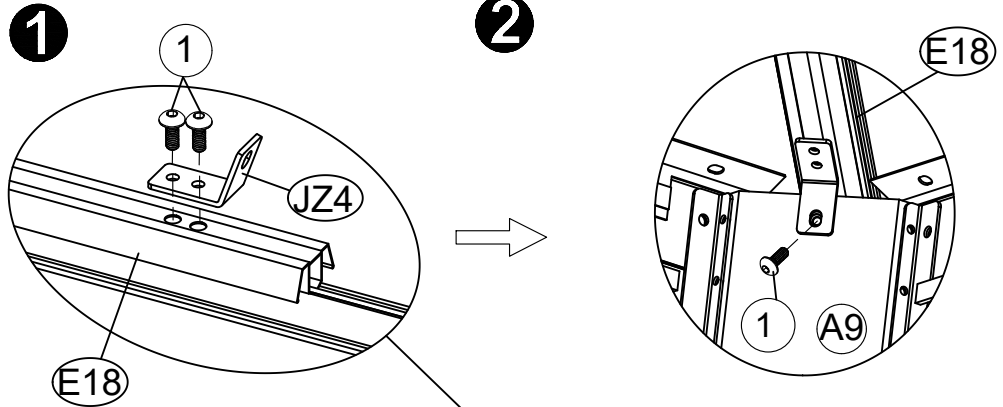
JZ4 4x



M6x15

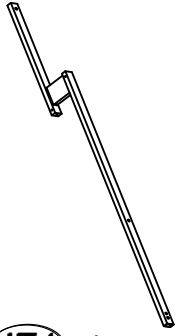
1 12x

<8>

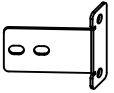


Note:

1. Let one person stand on the ladder to lift "L6" and hold and let others fasten the screws connecting both ends of "E18".
2. Please do not let go of holding "L6" until all the "E18" screws are installed.



JE1 4x



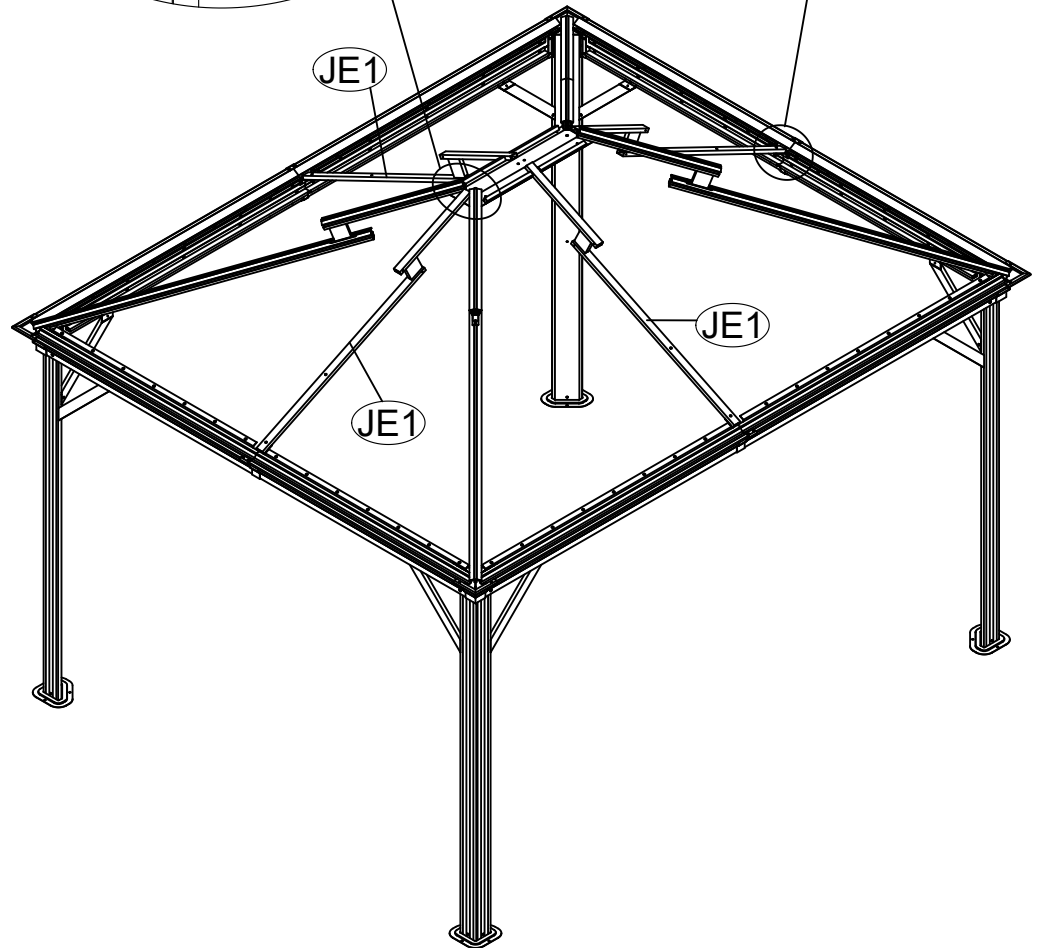
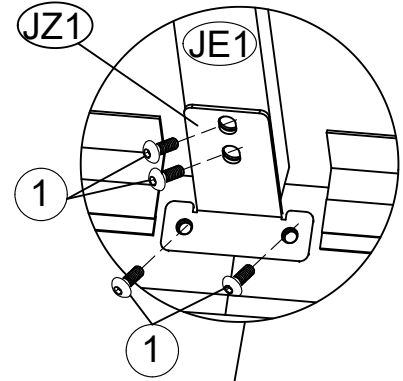
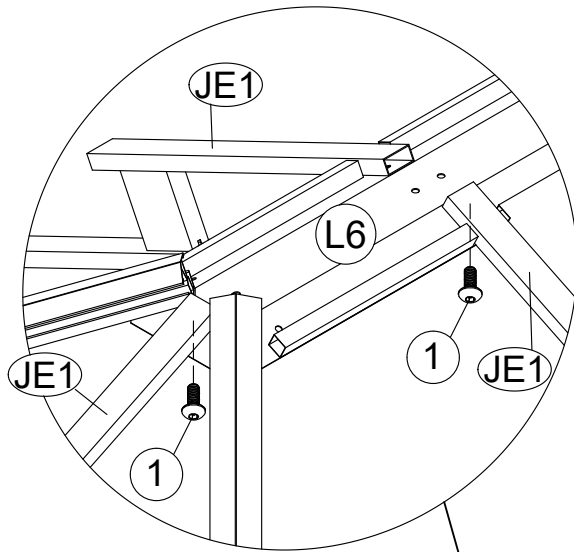
JZ1 4x



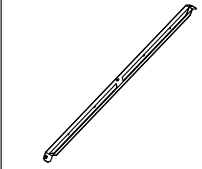
M6x15

1 20x

<9>



<10>



G1 2x



G9 2x

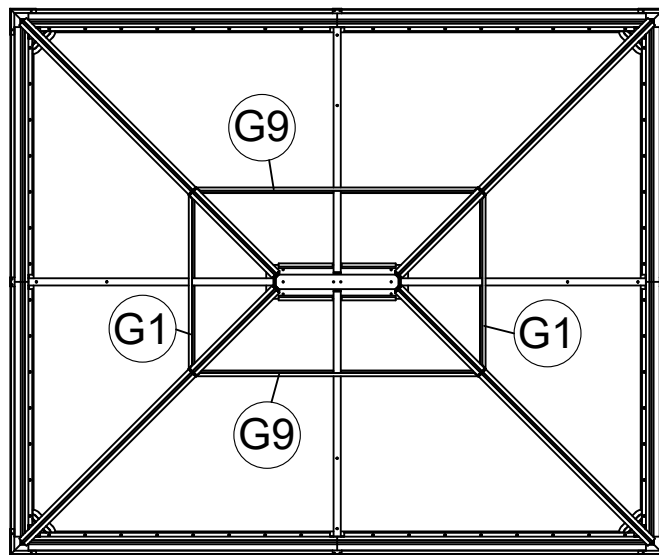
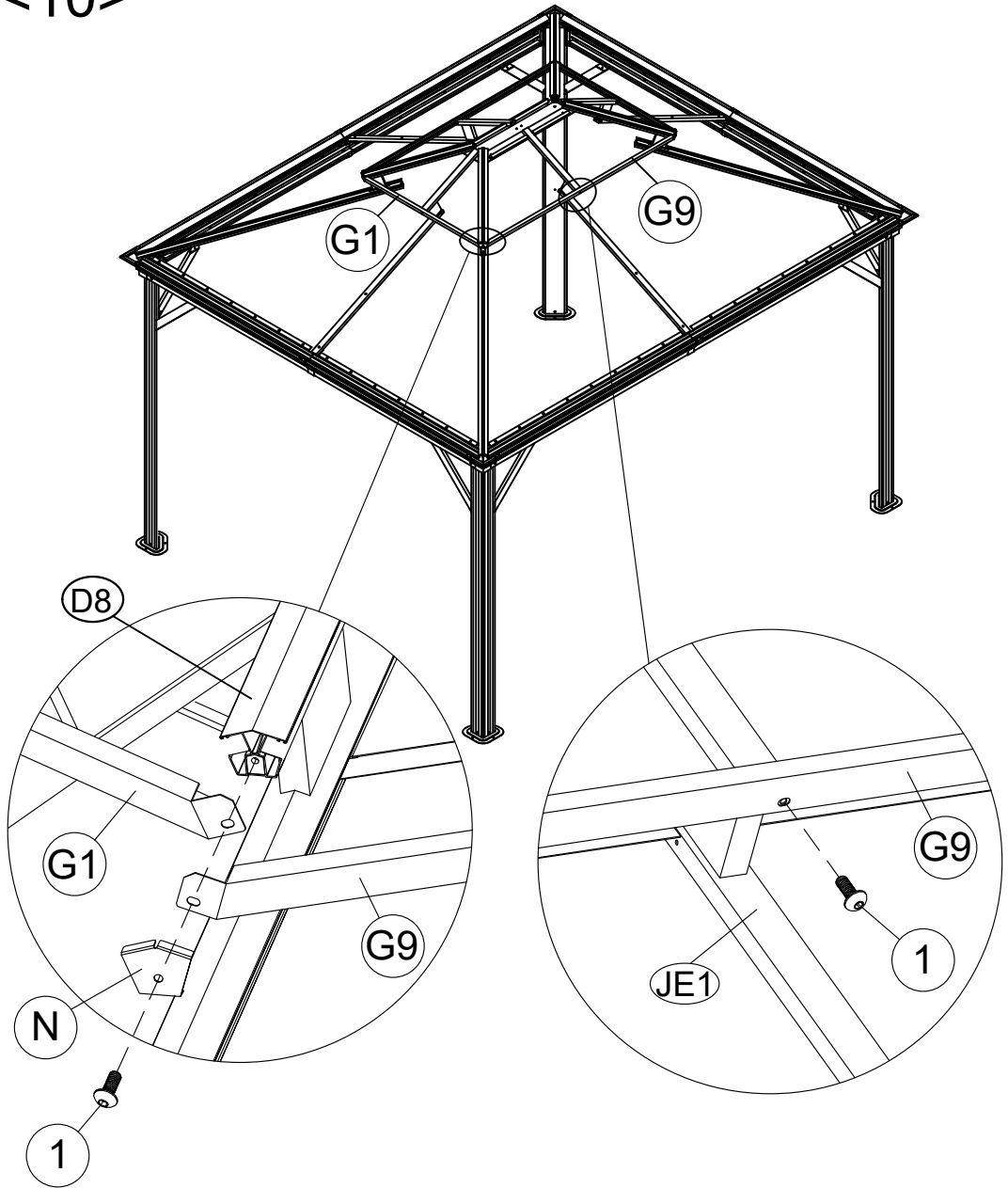


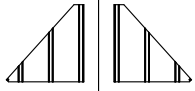
N 4x



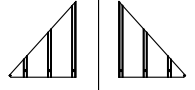
M6x15

1 8x

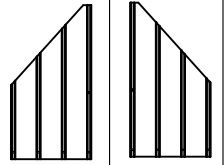




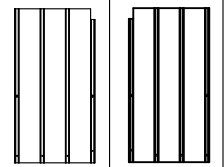
(S1) 2x (S2) 2x



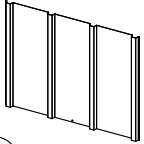
(R1) 2x (R2) 2x



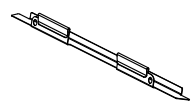
(Q3) 2x (Q4) 2x



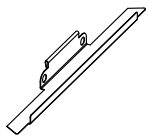
(Q5) 2x (Q6) 2x



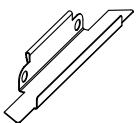
(S3) 2x



(Z) 24x



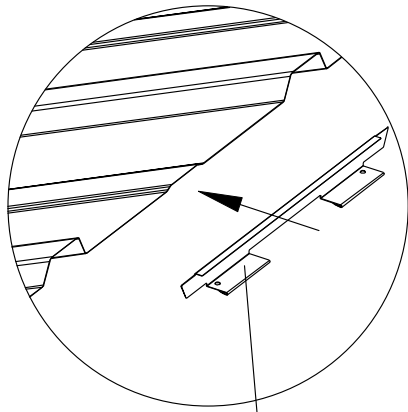
(Z1) 8x



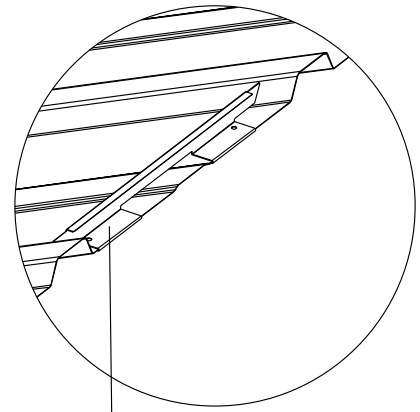
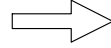
(Z2) 4x

16

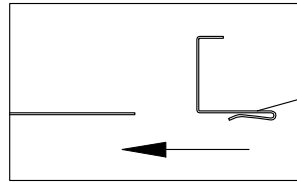
<11>



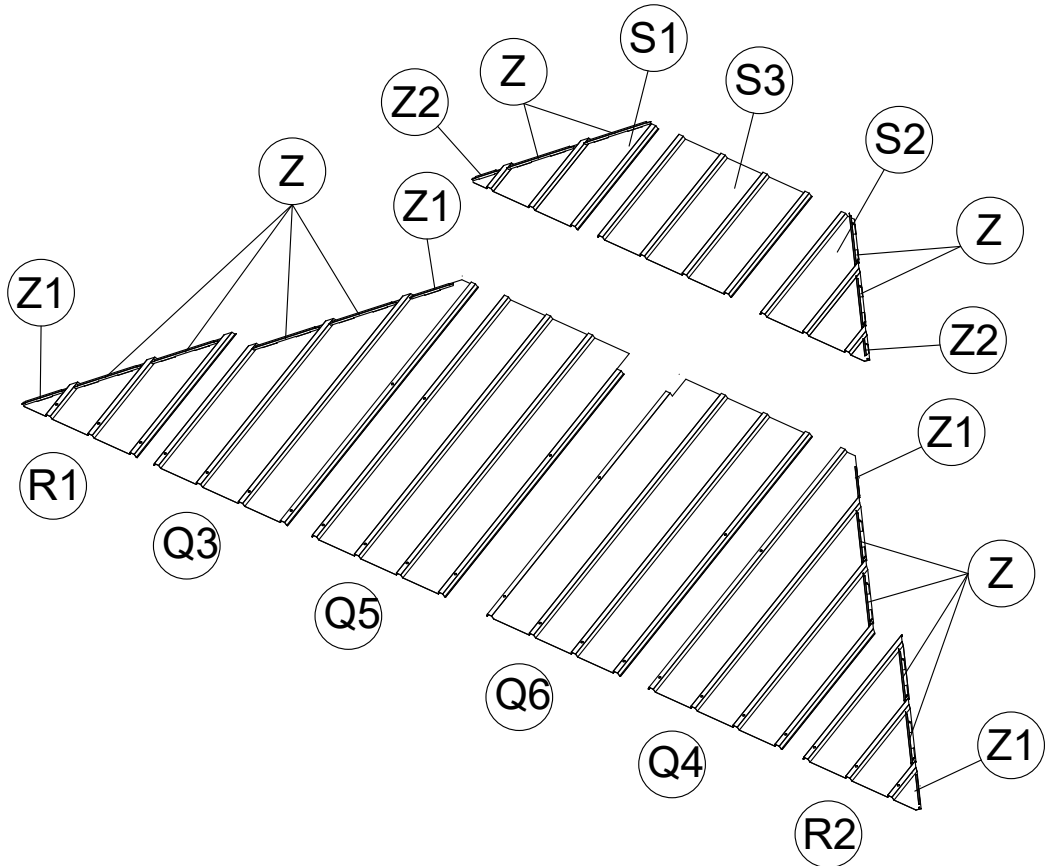
(Z) or (Z1) or (Z2)



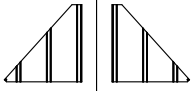
(Z) or (Z1) or (Z2)



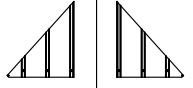
(Z) or (Z1) or (Z2)



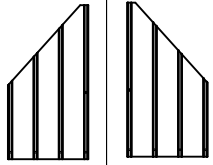
<12>



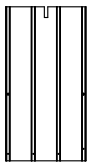
S1 2x S2 2x



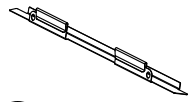
R1 2x R2 2x



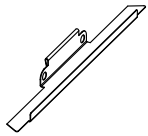
Q3 2x Q4 2x



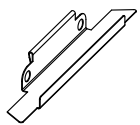
Q7 2x



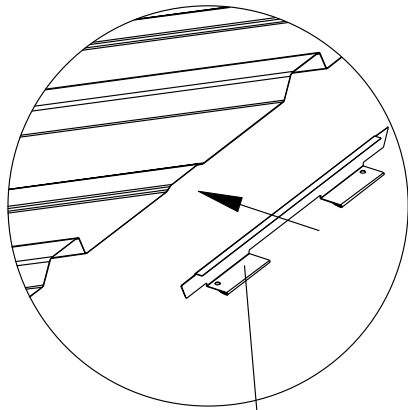
Z 24x



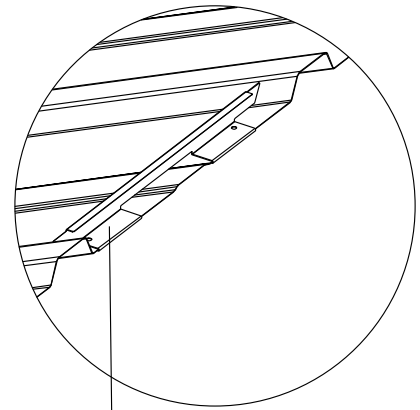
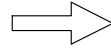
Z1 8x



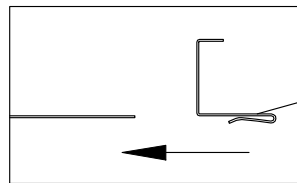
Z2 4x



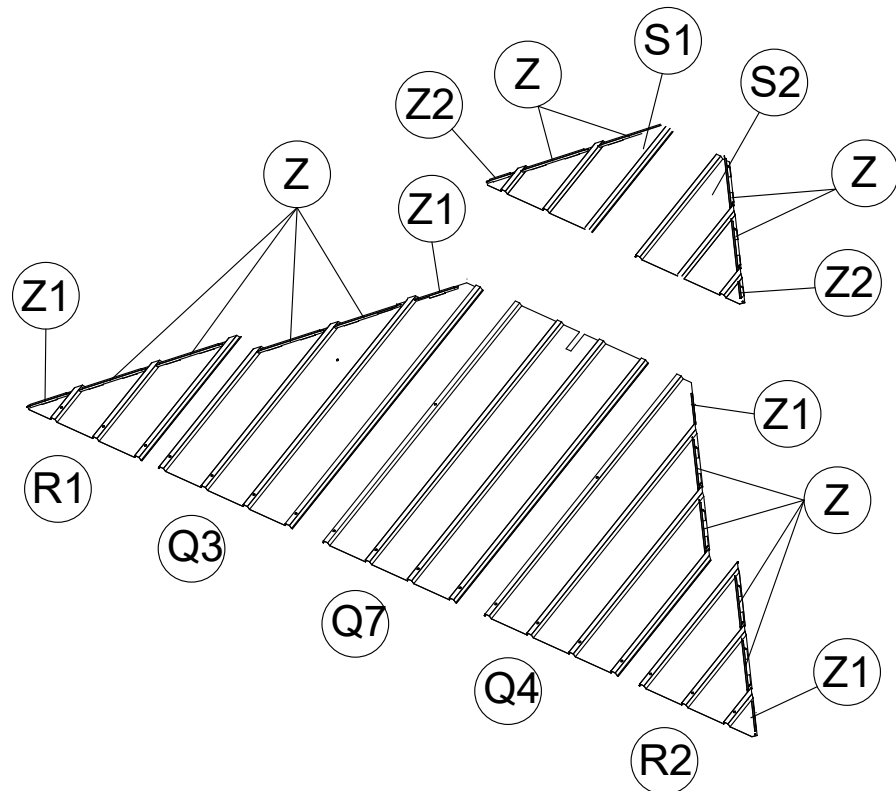
Z or Z1 or Z2



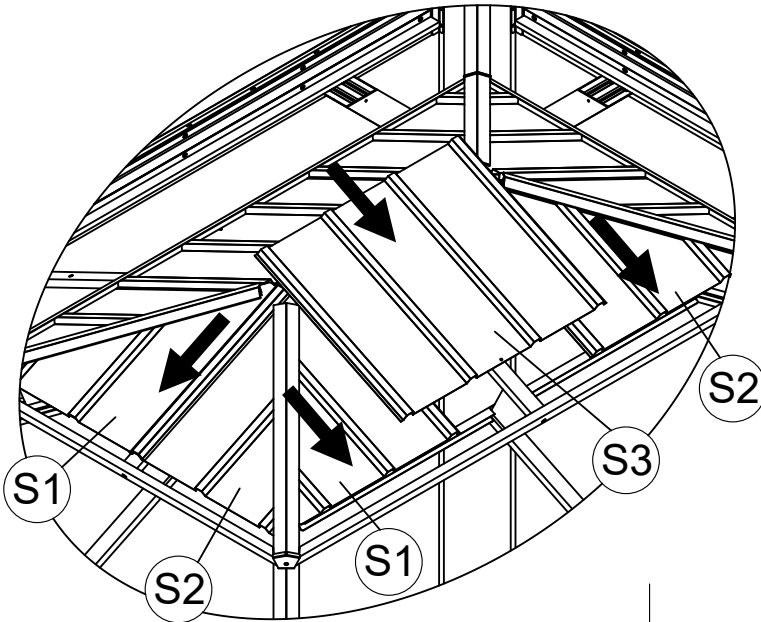
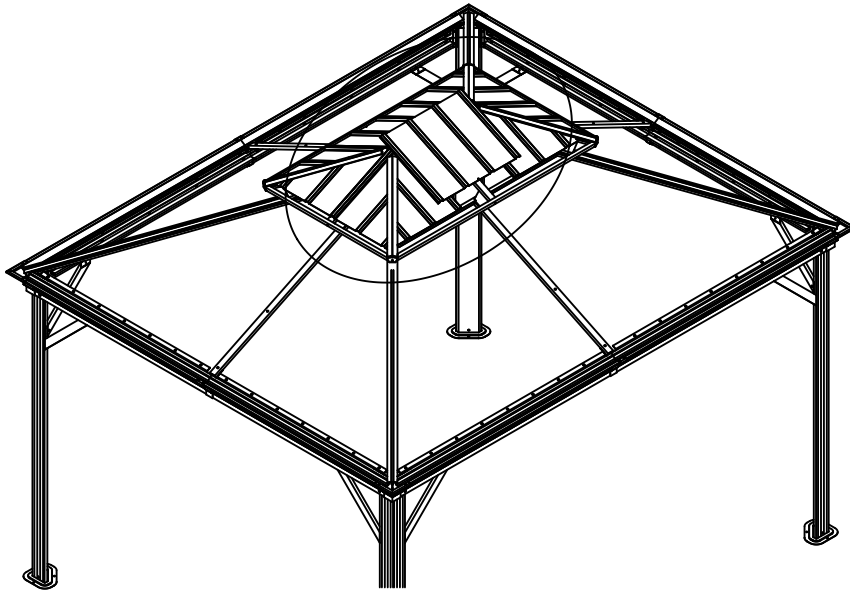
Z or Z1 or Z2



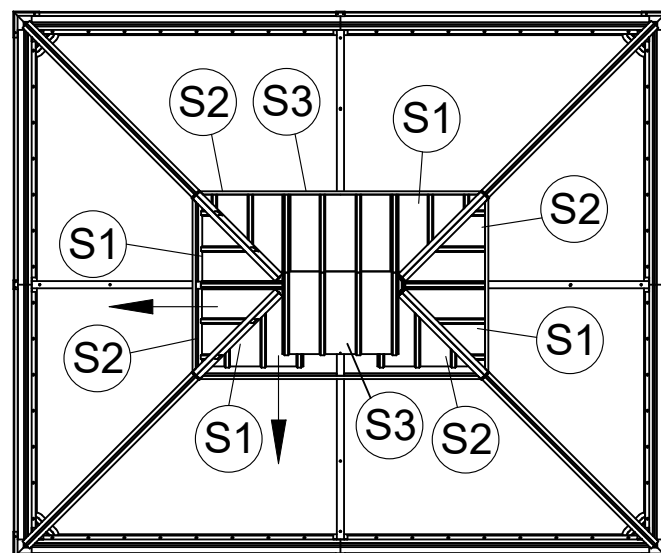
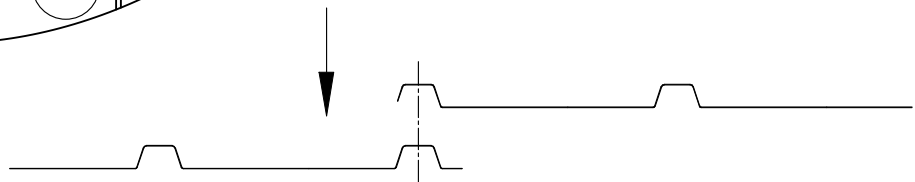
Z or Z1 or Z2



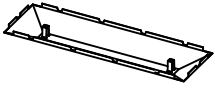
<13>



When installing the Roof plates (S2) onto short side, pls detach the right end of Roof Rib(G1) first. And then install the right end of Roof Rib (G1) again after S2 is installed.



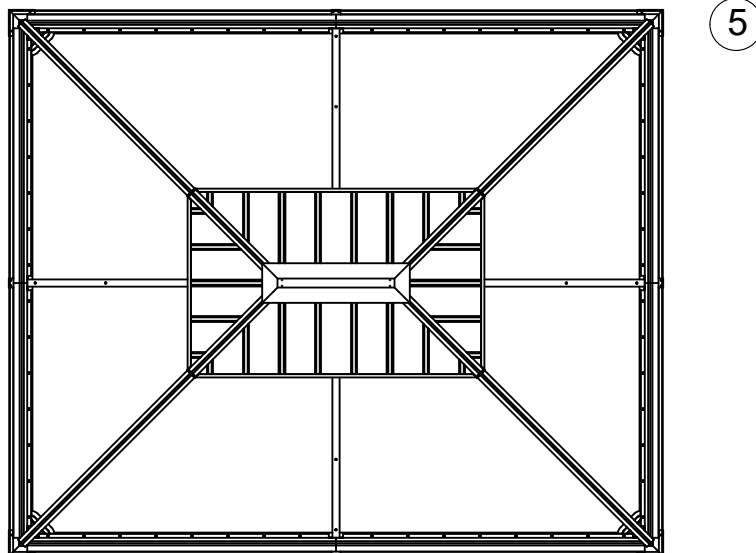
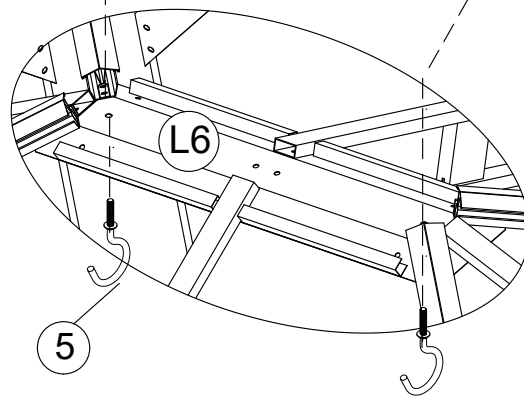
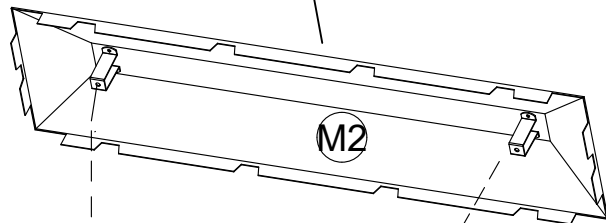
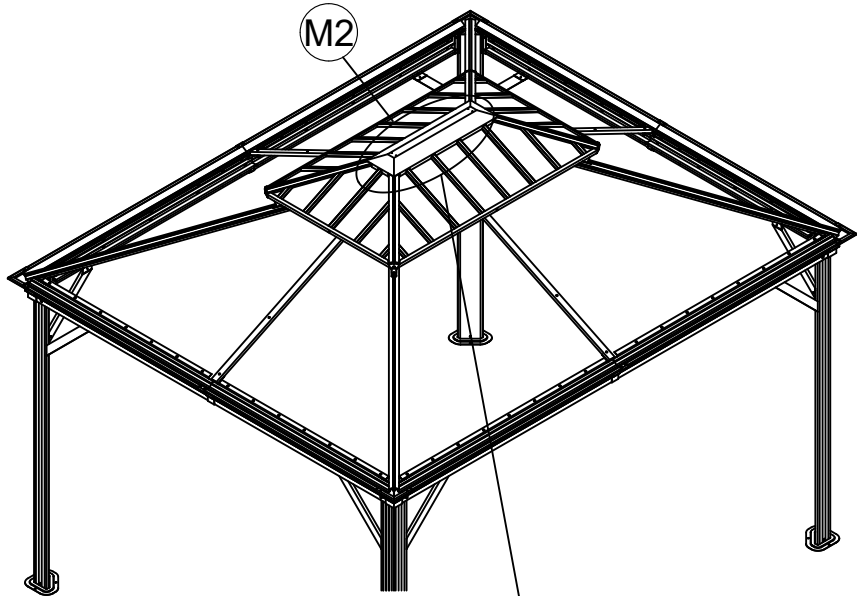
<14>



M2 1x



5 2x



<15>

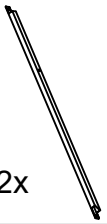
F9 2x



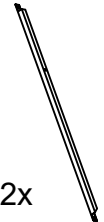
F10 2x



F6 2x

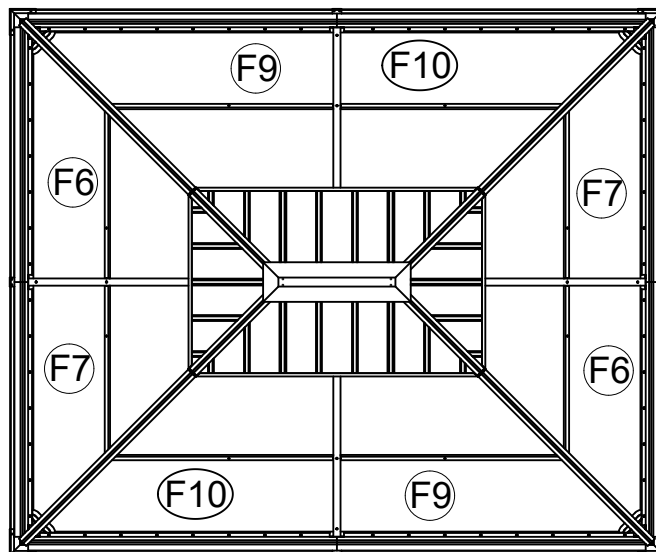
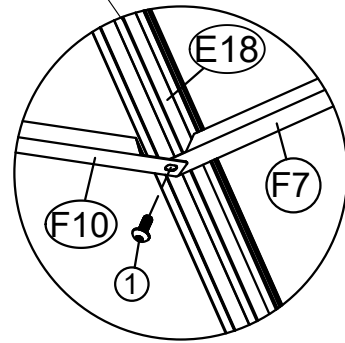
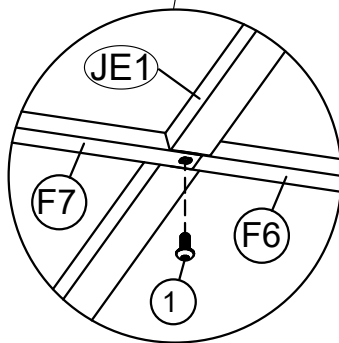
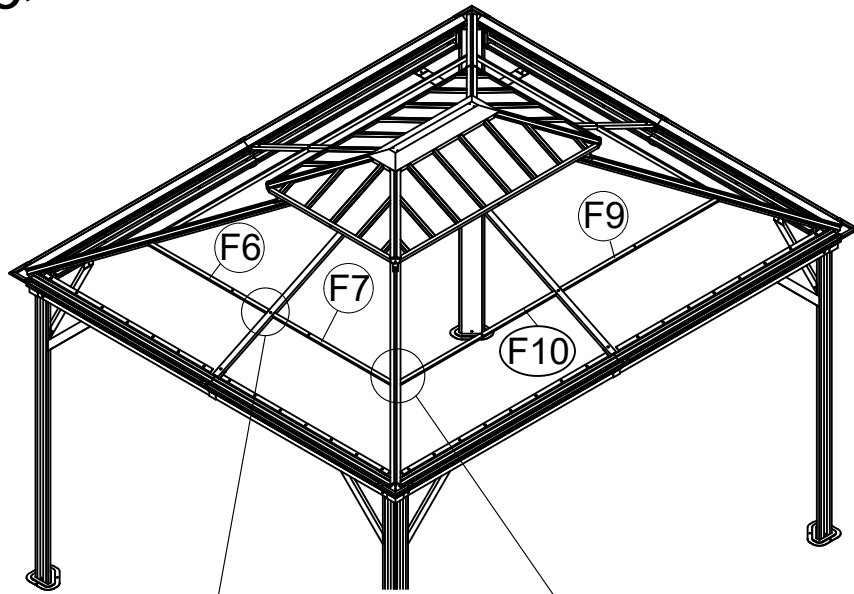


F7 2x



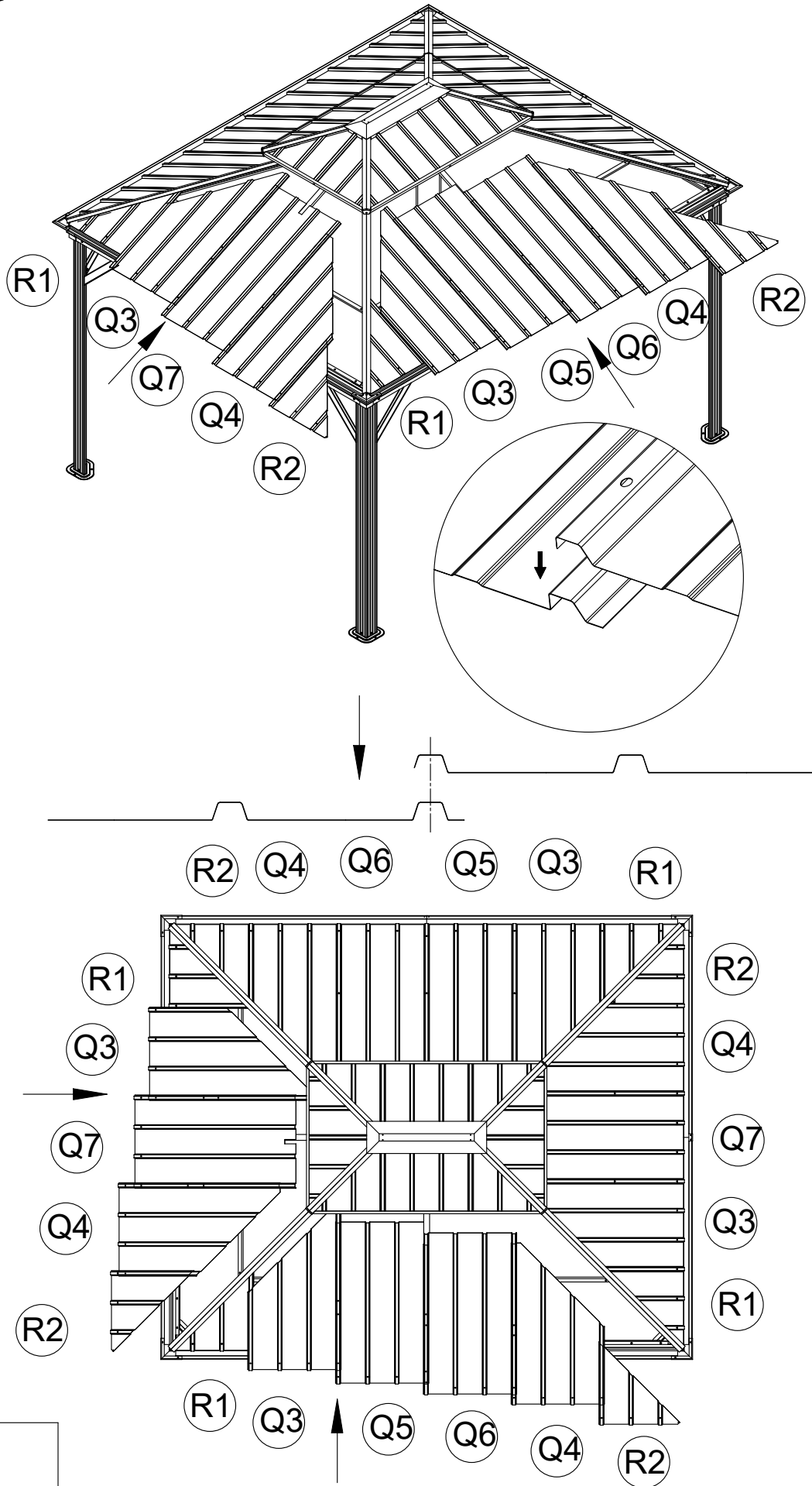
M6x15

1 8x

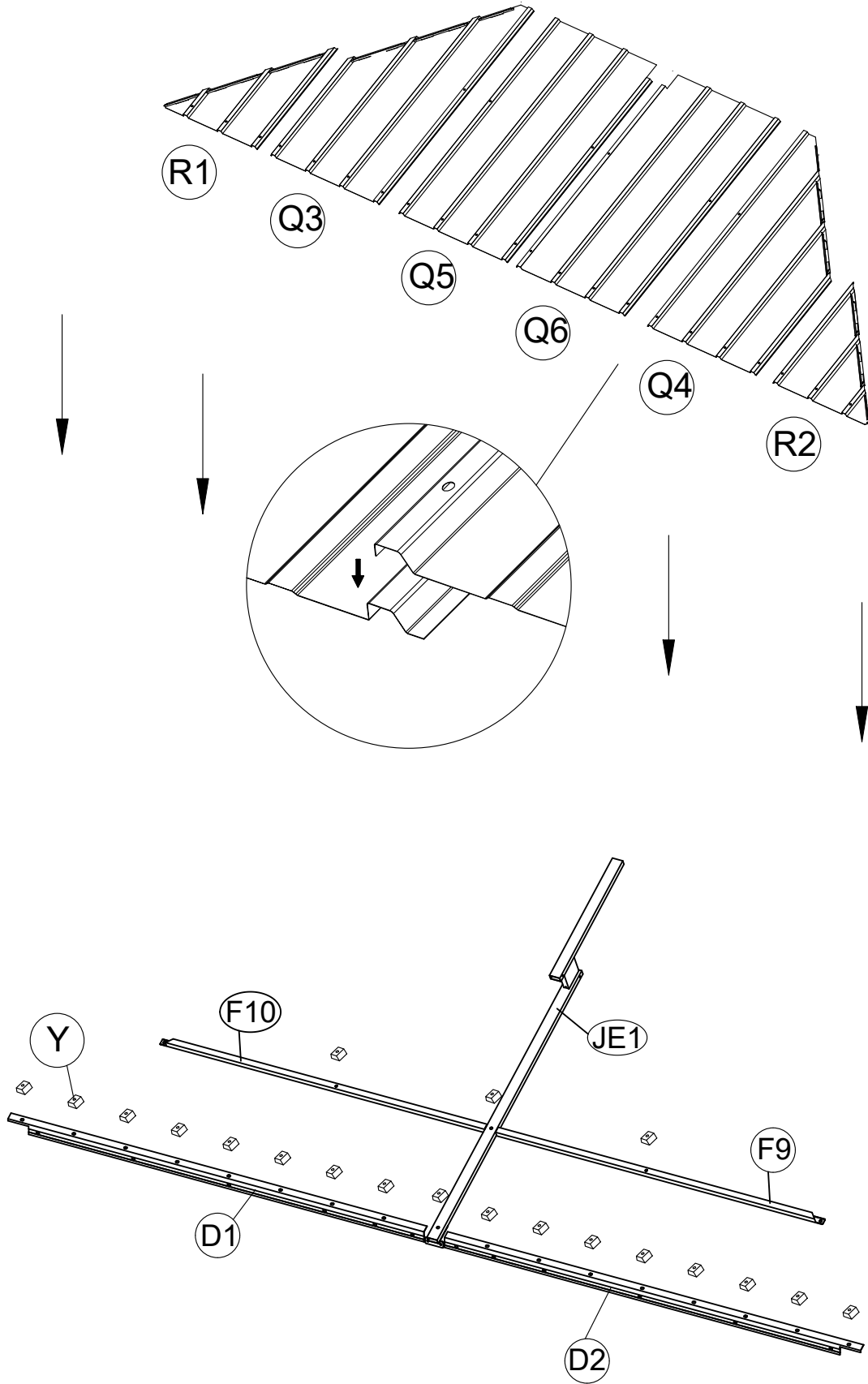


20

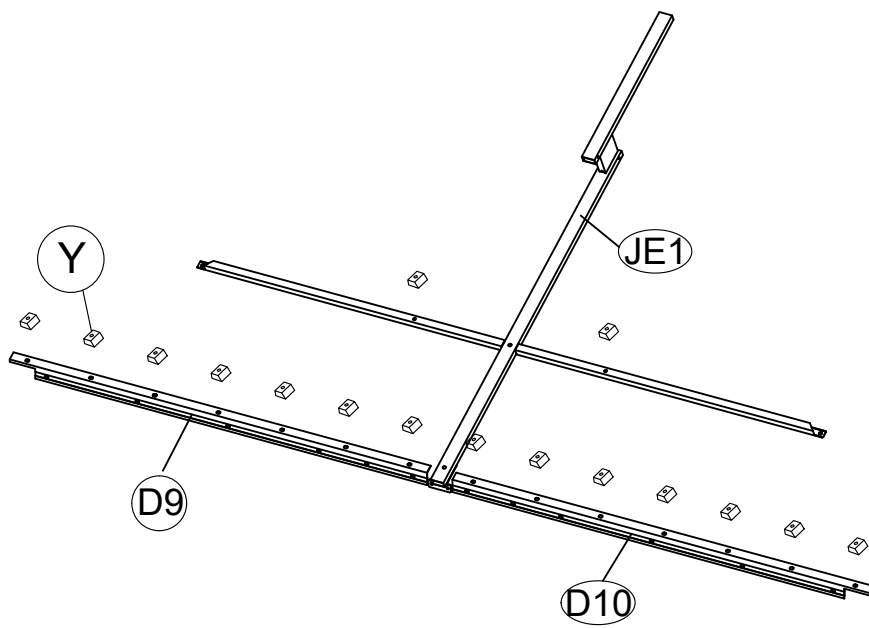
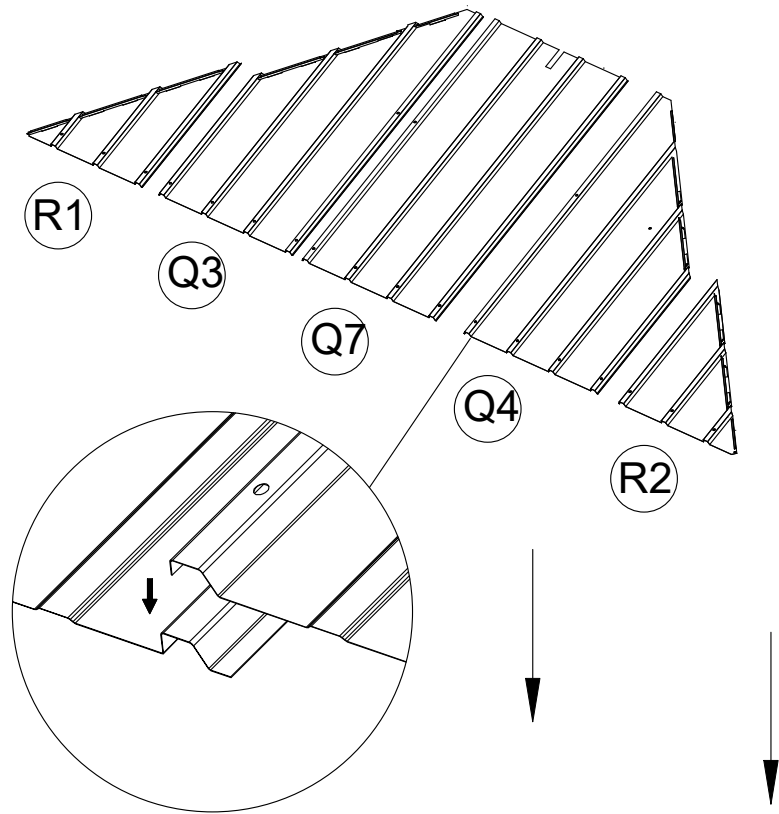
<16>



<17>



<18>





<19>

Y 72x



M6x23

2 60x



M6x25

3 2x



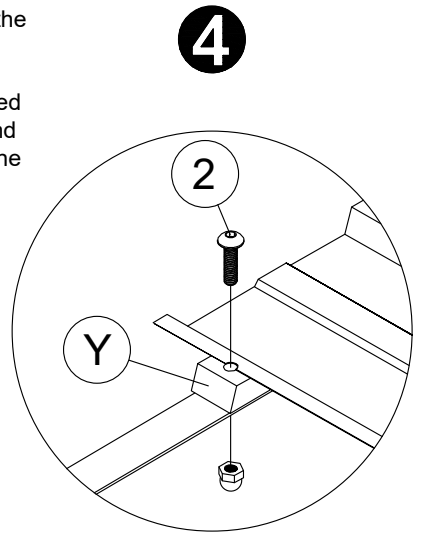
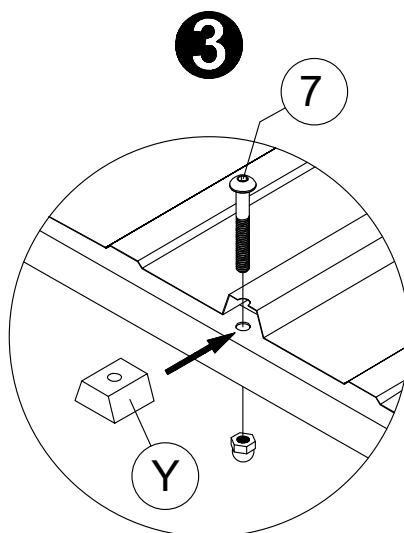
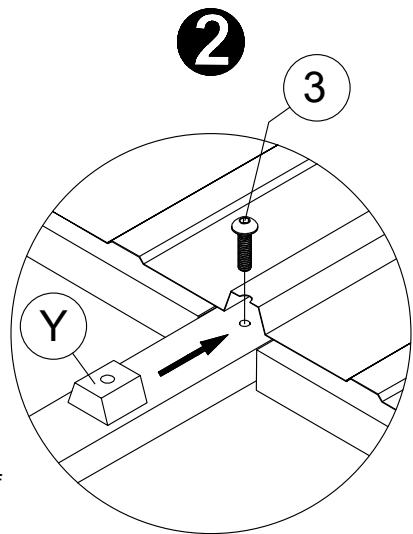
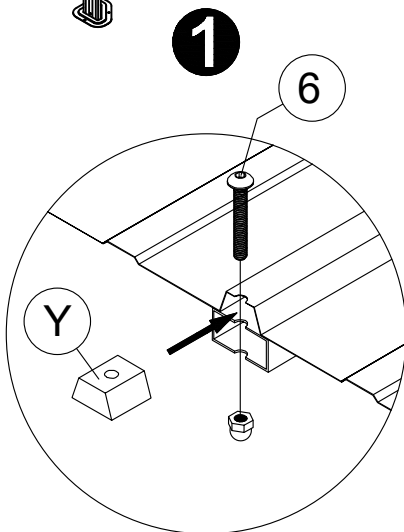
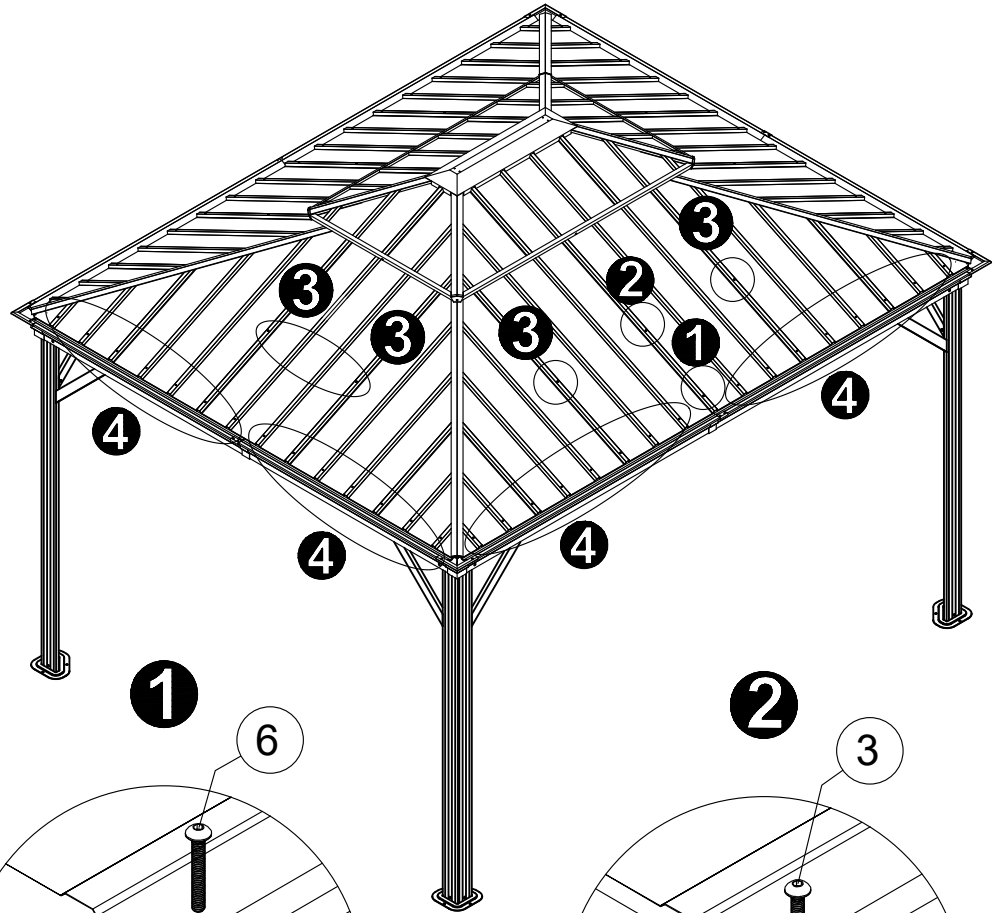
M6x42

6 2x

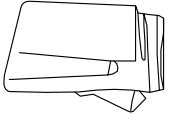


M6x45

7 8x

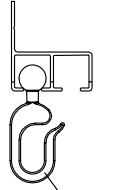


Note: When installing the roof top plates, if the roof plates are slightly uneven, pls press the screws from the top of the plates until the bottom screw thread is exposed by 3 to 4mm, and then screw on the nut.

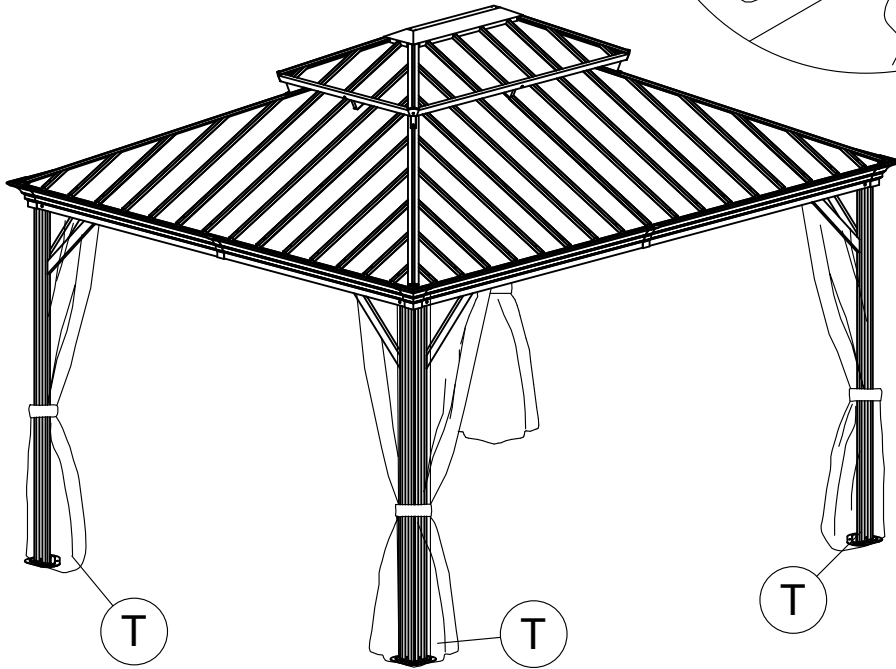
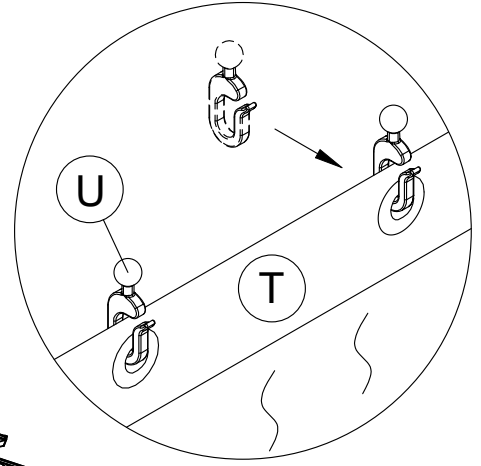


<20>

T 4x



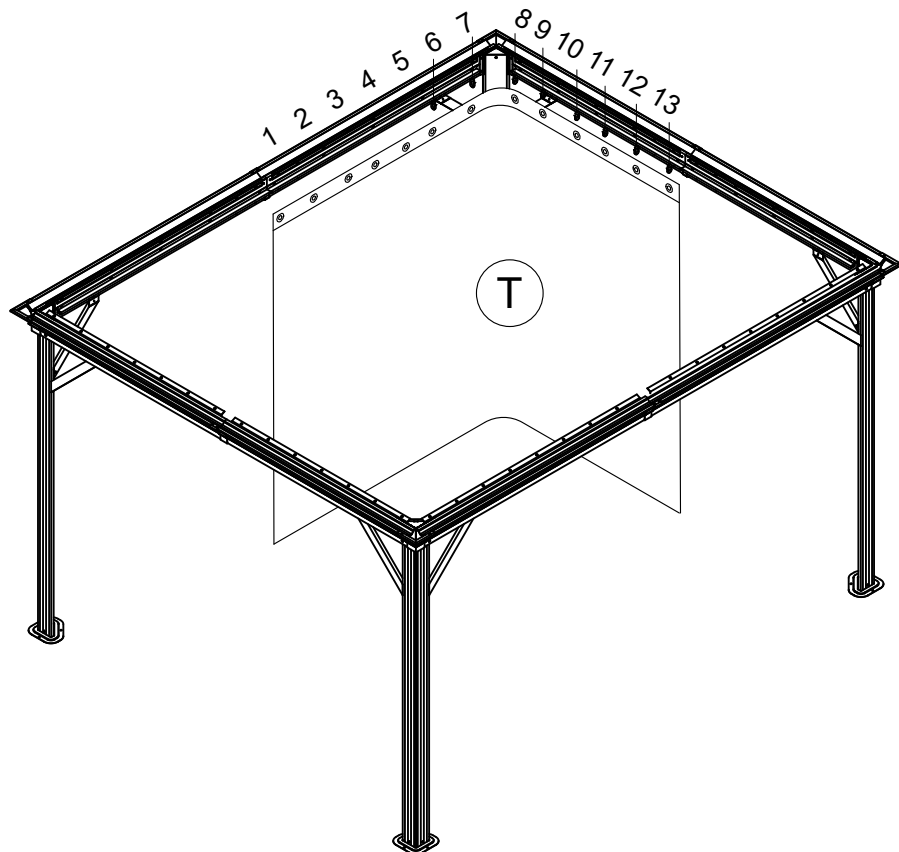
U



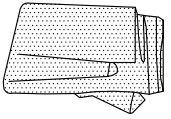
T

T

T

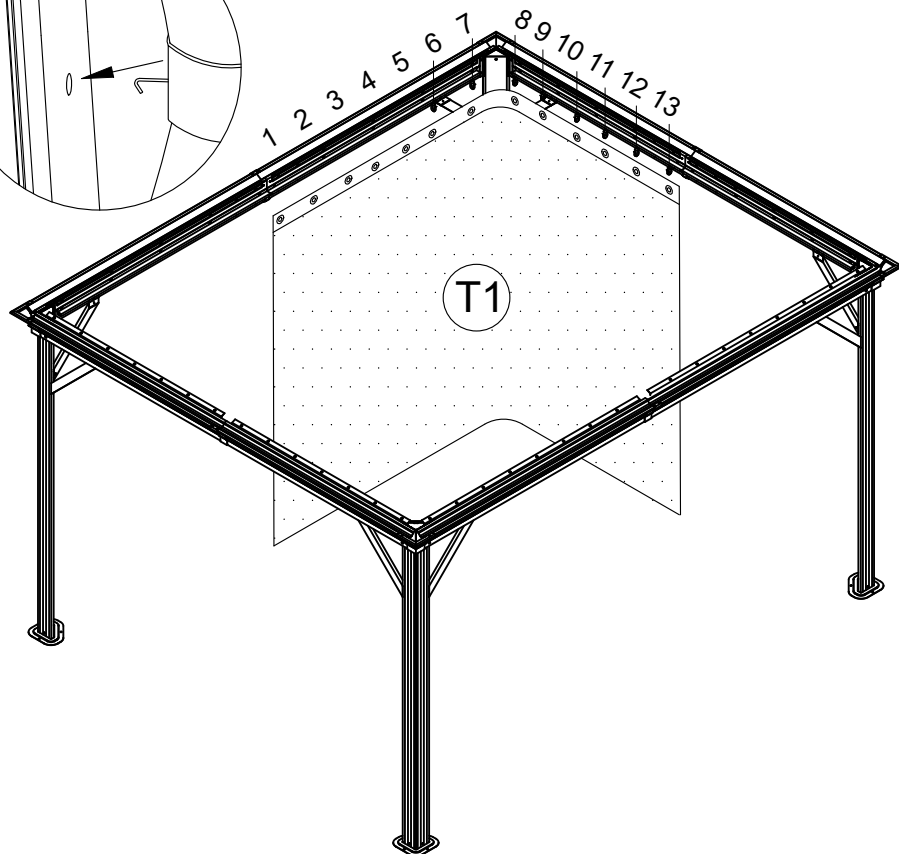
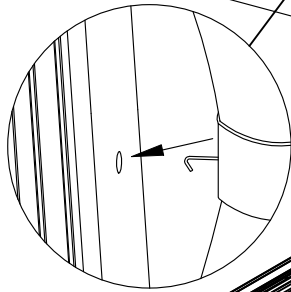
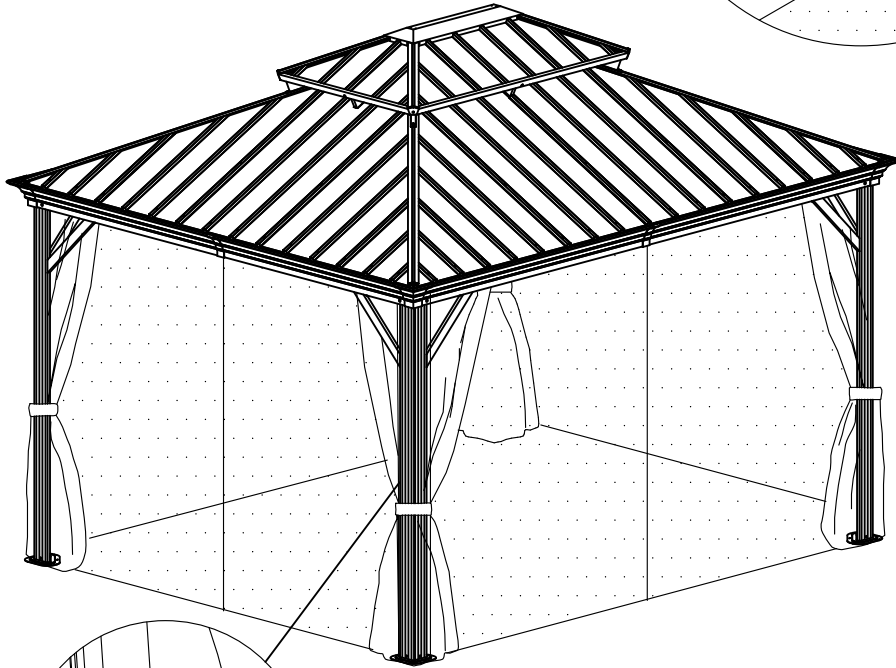
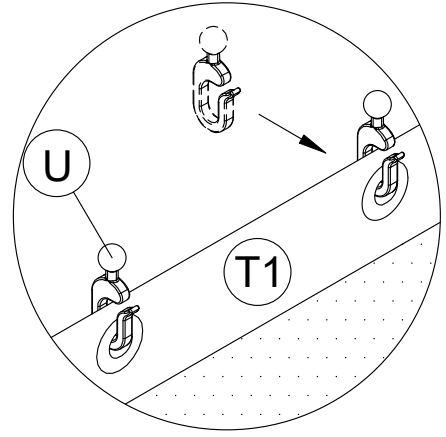
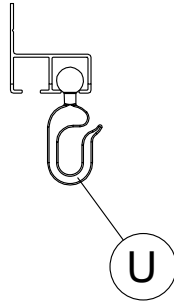


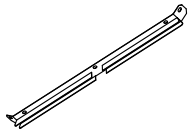
T



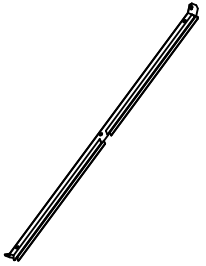
<21>

T1 4x





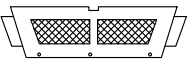
I1 2x



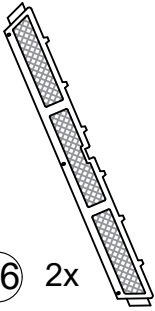
I9 2x



N 4x



V1 2x



V6 2x



M6x15

1 8x



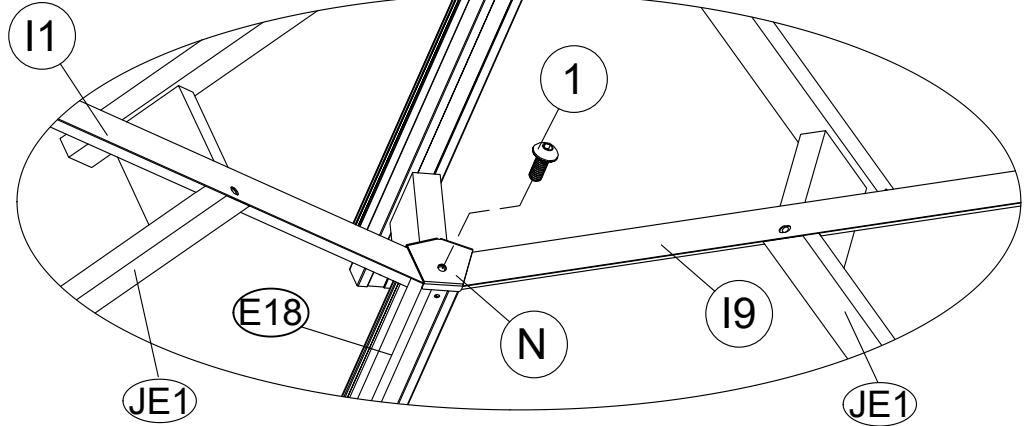
M6x10

9 8x

27

<22>

1



2

