



**DesignArt**

**DESIGNART SLIPPER CHAIR COLLECTION**

Thank you for your order!

Please note that each and every sale of DesignArt artwork, be it an oil painting, canvas art print, metal art, wood art, bedding, curtains, decorative chairs, bar-stools, cushions, decorative ottomans, designed clock or one of our textile items supports an artist and allows them to live through their passion.

Every DesignArt creation started with an artist’s inspiration. A vision of what could be where nothing currently is. The deep desire to express one’s own creativity and share it with the world. Through our many product lines, DesignArt allows artists and designers to express their ideas and creativity across many mediums.

**IMPORTANT – FOR CHAIR FABRIC CARE**

PLEASE ONLY USE AN UPHOLSTERY CLEANER ON THE CHAIR FABRIC.

SHARING IS CARING



WIN A FREE DESIGNART PRODUCT OF YOUR CHOICE!

If you love your DesignArt new product, please take a moment to share your experience online by leaving us a positive review and uploading a photo of the product you received to the website where you made the purchase. After leaving your review and uploading the photo, simply send an email to sales@designartusa.com. Include your order number and a link to your review and you will be entered in to win a DesignArt product of your choice (up to a \$200 value) A winner will be chosen every week! From the weekly winners, a grand prize winner will be chosen at the end of the year, for a complete DesignArt room makeover including two canvas wall arts, a matching bed set, cushions and clock!!

Thank you again for your order.

**Contact Us:**

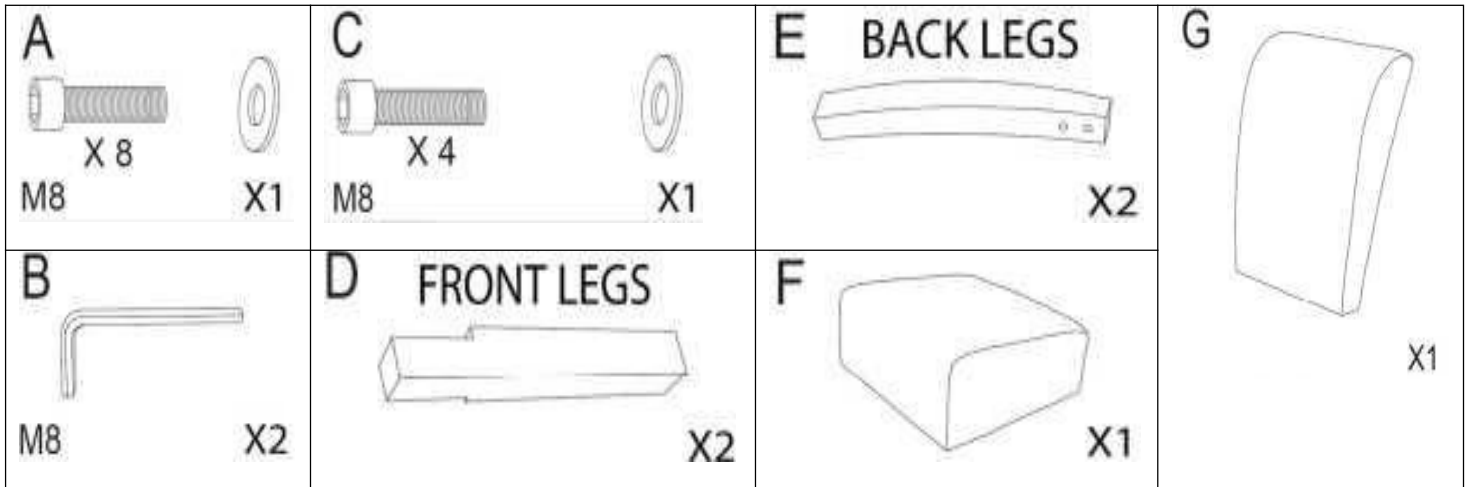
**We are always happy to help! For product related questions, product damages or returns, please contact us prior to returning to the store or online retailer.**

**Email: cs@designartusa.com Call: 1-888-604-2215 Mon-Fri 10AM-4PM EST**

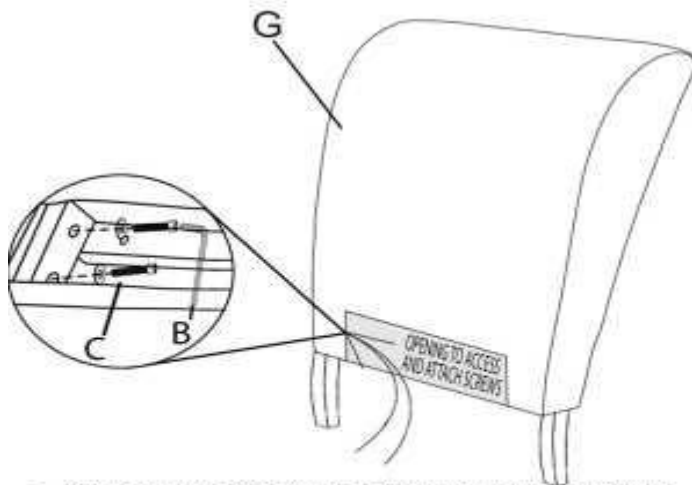
**WARNING - DISCLAIMER:** While DesignArt Inc diligently inspects every piece of artwork we create prior to it being packaged and use the highest- grade materials in our creation process, household temperatures, humidity, manipulation, or other factors may affect the hold over time. While DesignArt Inc will certainly replace any defective item, your use of this chair is at your sole risk as DesignArt Inc expressly disclaims all warranties of any kind regarding property damage, bodily injury or any and all other damages that may result by the use of this chair.

Weight Capacity **250 LBS**

# SLIPPER CHAIR INSTRUCTIONS

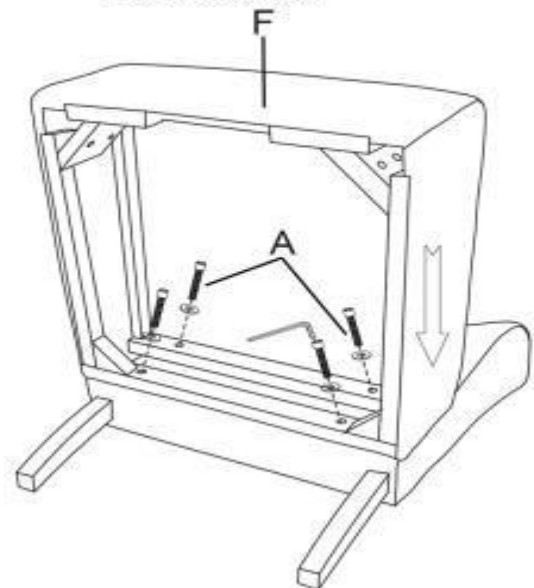


## STEP 1 INSTALLATION OF BACK LEGS

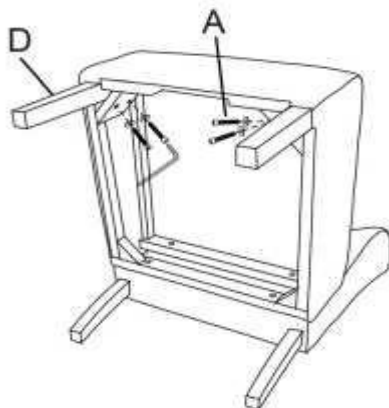


1. INSERT THE BACK LEGS (E) WITH THE CURVED SIDE TOWARDS THE OUTSIDE
2. USE THE OPENING TO ACCESS AND ATTACH SCREWS (C)

## STEP 2 INSTALLATION OF SEAT TO BACKREST



## STEP 3 INSTALLATION OF FRONT LEGS



## STEP 4 CLOSE WITH BLACK VELVET



## STEP 5 ENJOY YOUR BEAUTIFUL NEW CHAIR!

