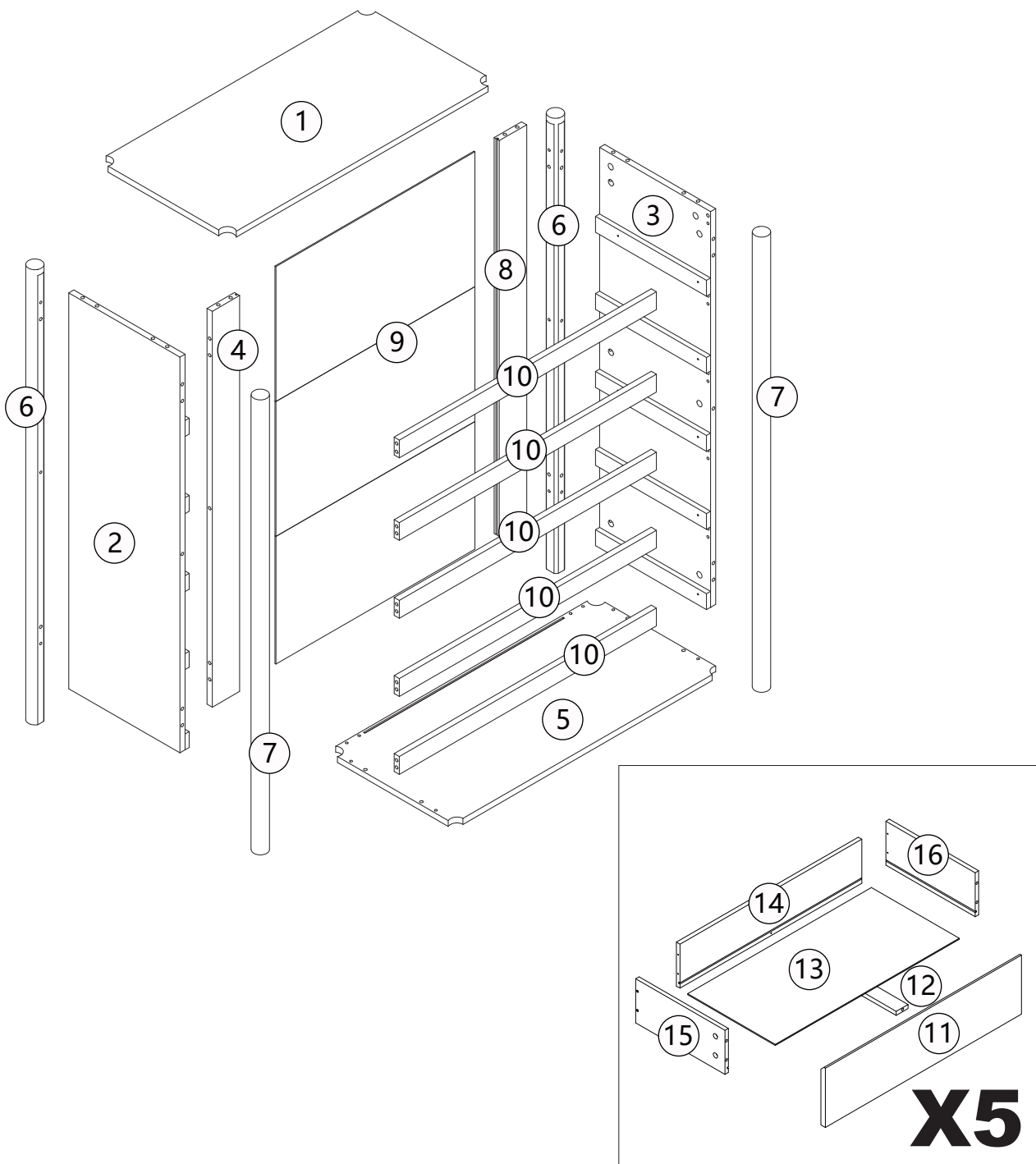
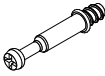













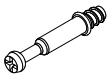


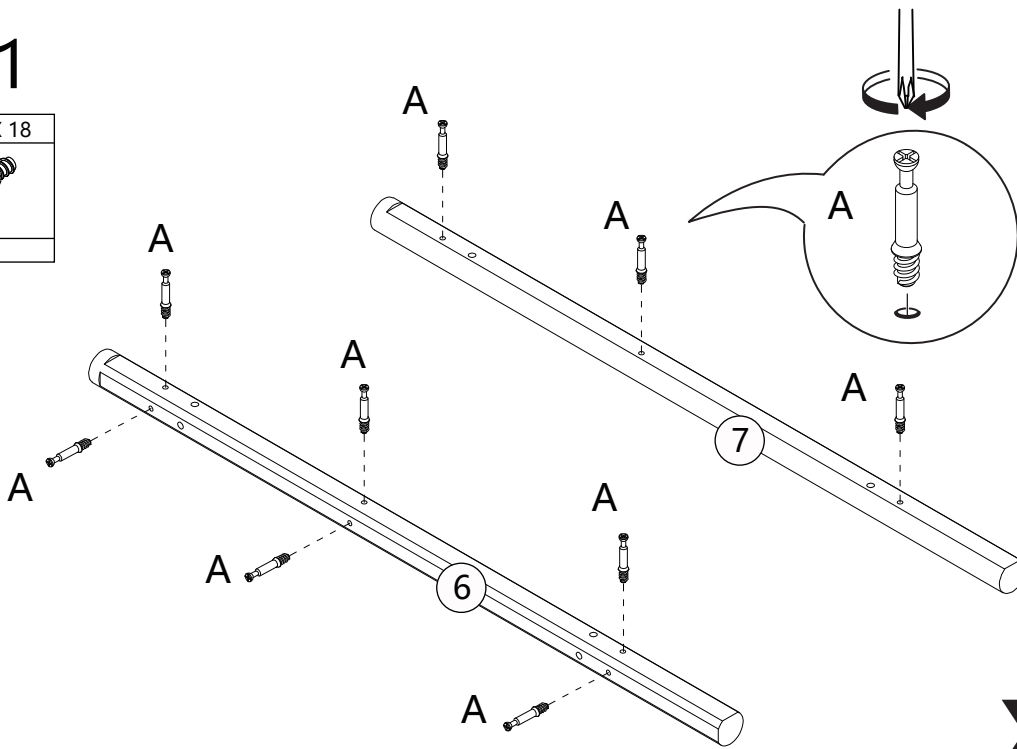
Installation instruction



A	X 61	B	X 61	C	X 26	D	X 35	E	X 4	F	X 14	G	X 14
													
M6*35		Φ15*10		Φ6*30		M4*35		Φ25*3		M3*14			
I	X 60	L	X 2	N	X 2	CL	X 5	CR	X 5	DL	X 5	DR	X 5
													
M3*12		M4*12		Φ8*50									




STEP 1

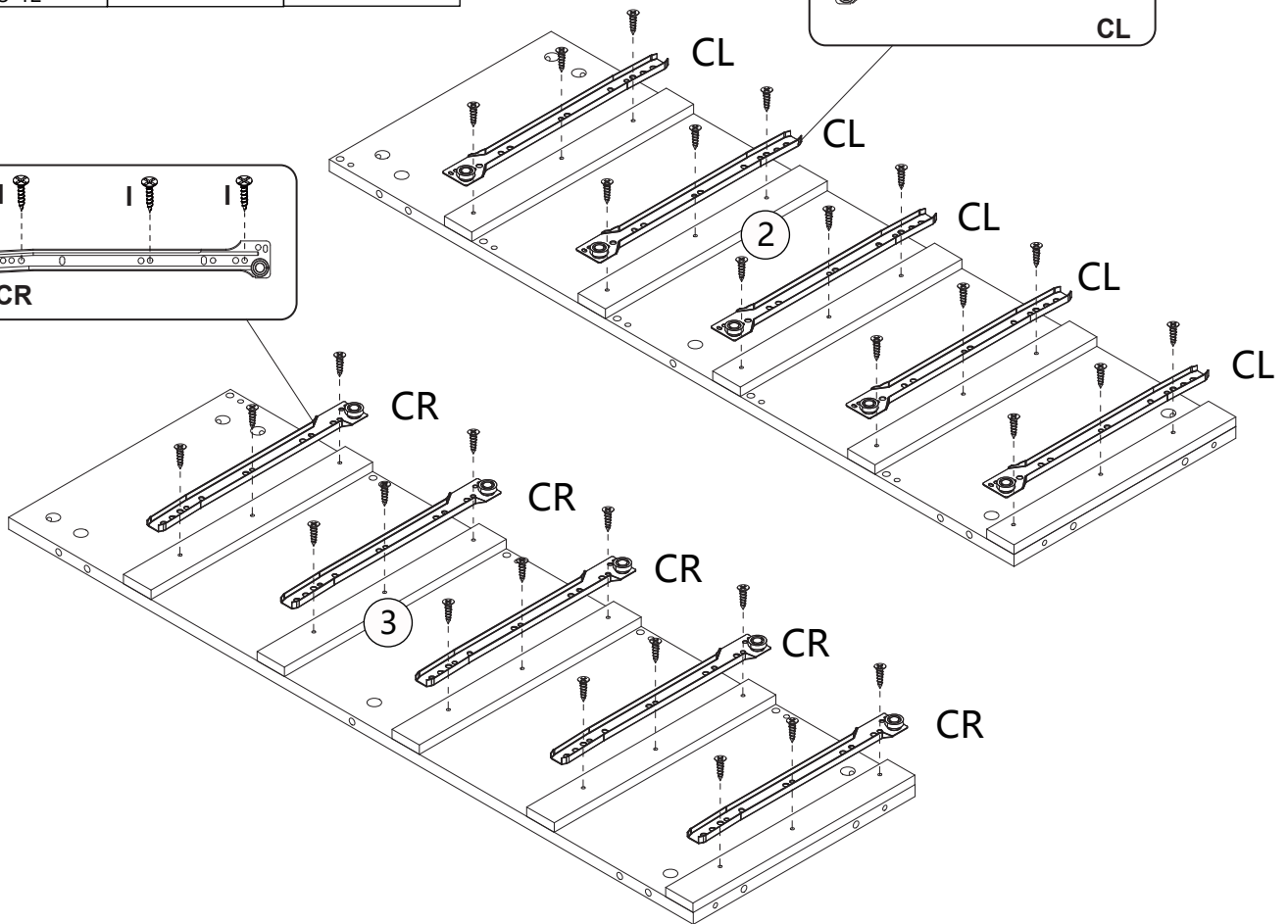
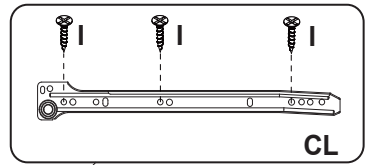
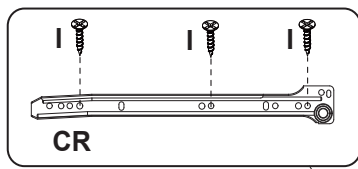
A	X 18
	
M6*35	



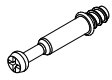
X2

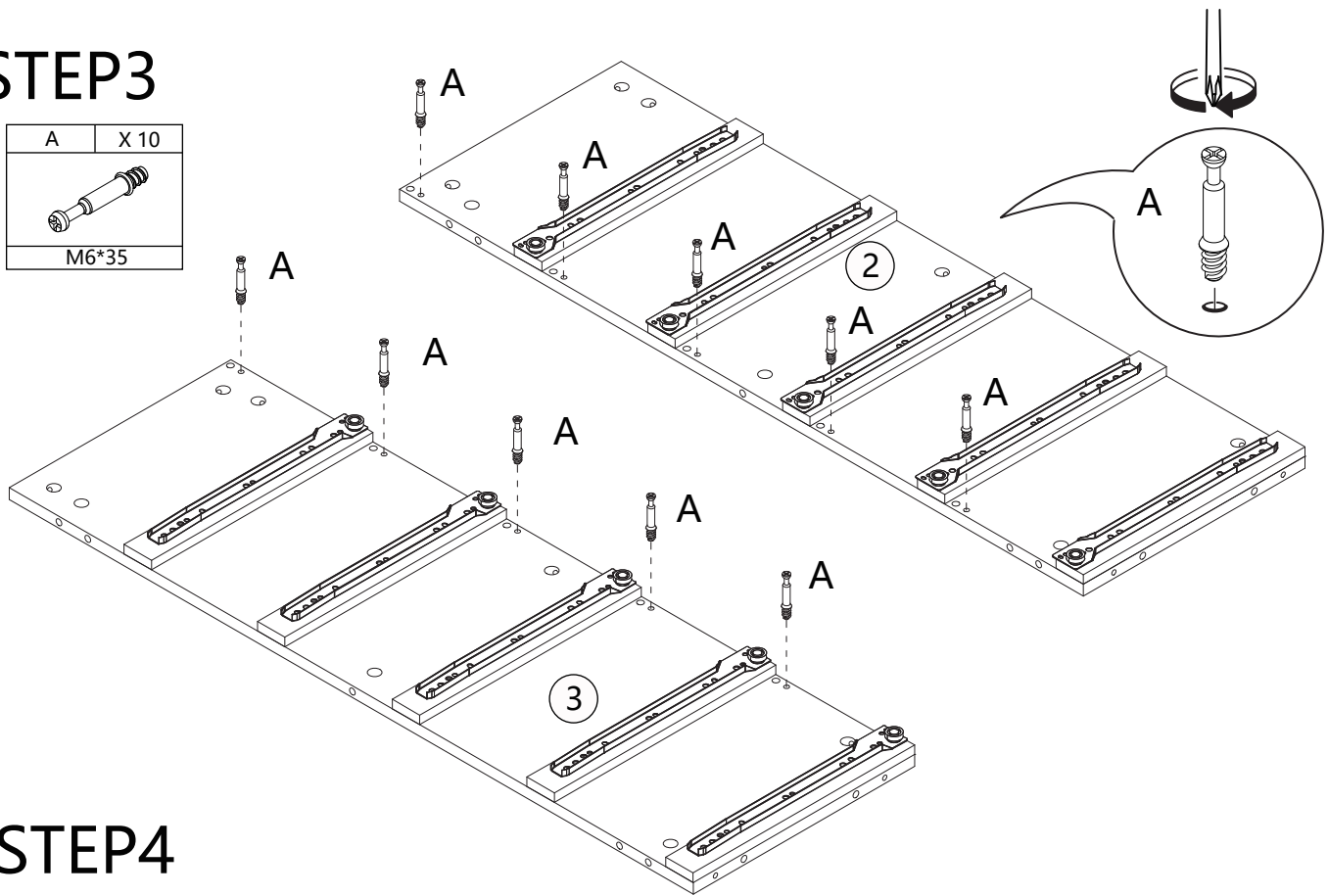
STEP 2

I	X 30	CL	X 5	CR	X 5
					
M3*12					





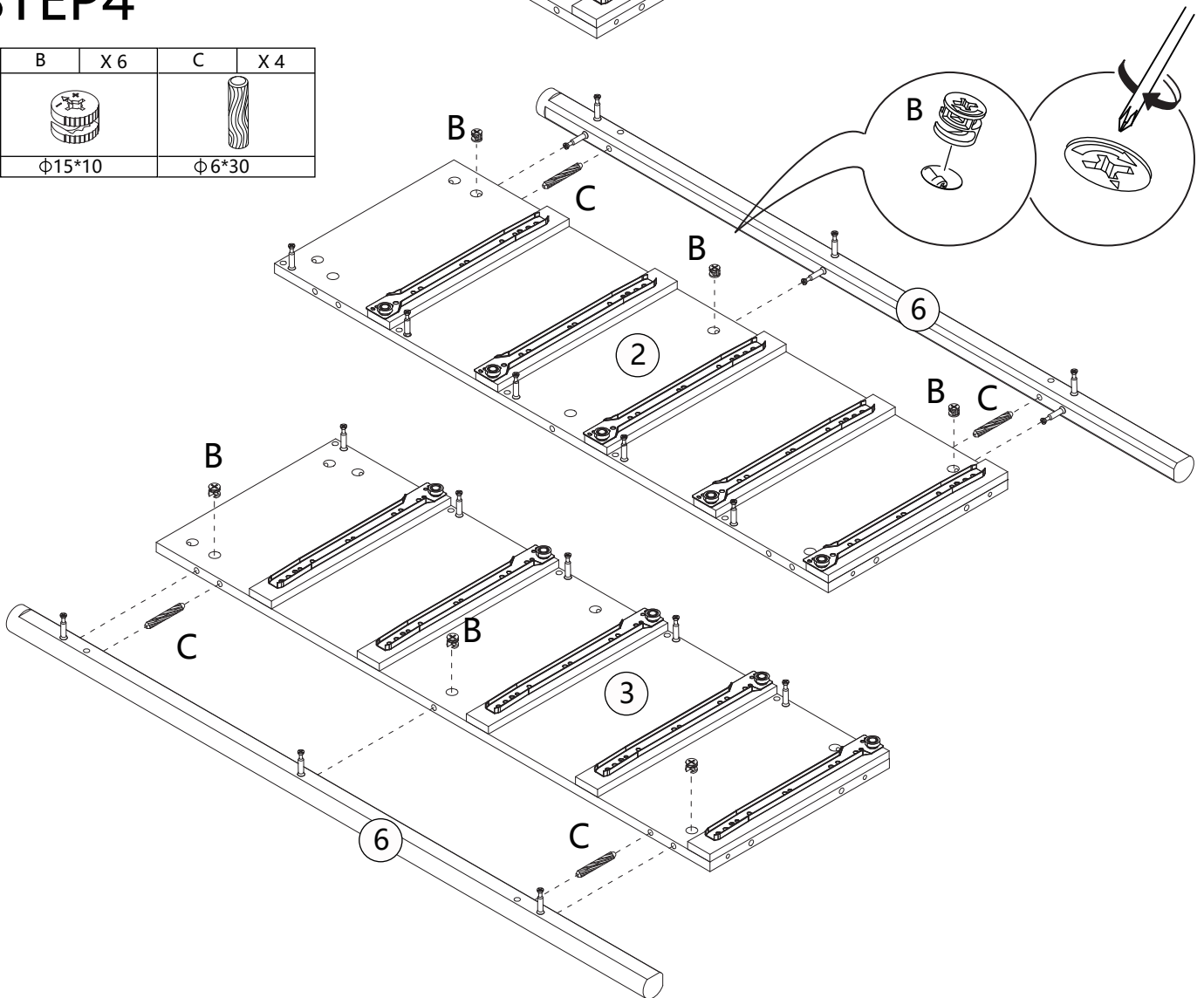
STEP3

A	X 10
	
M6*35	





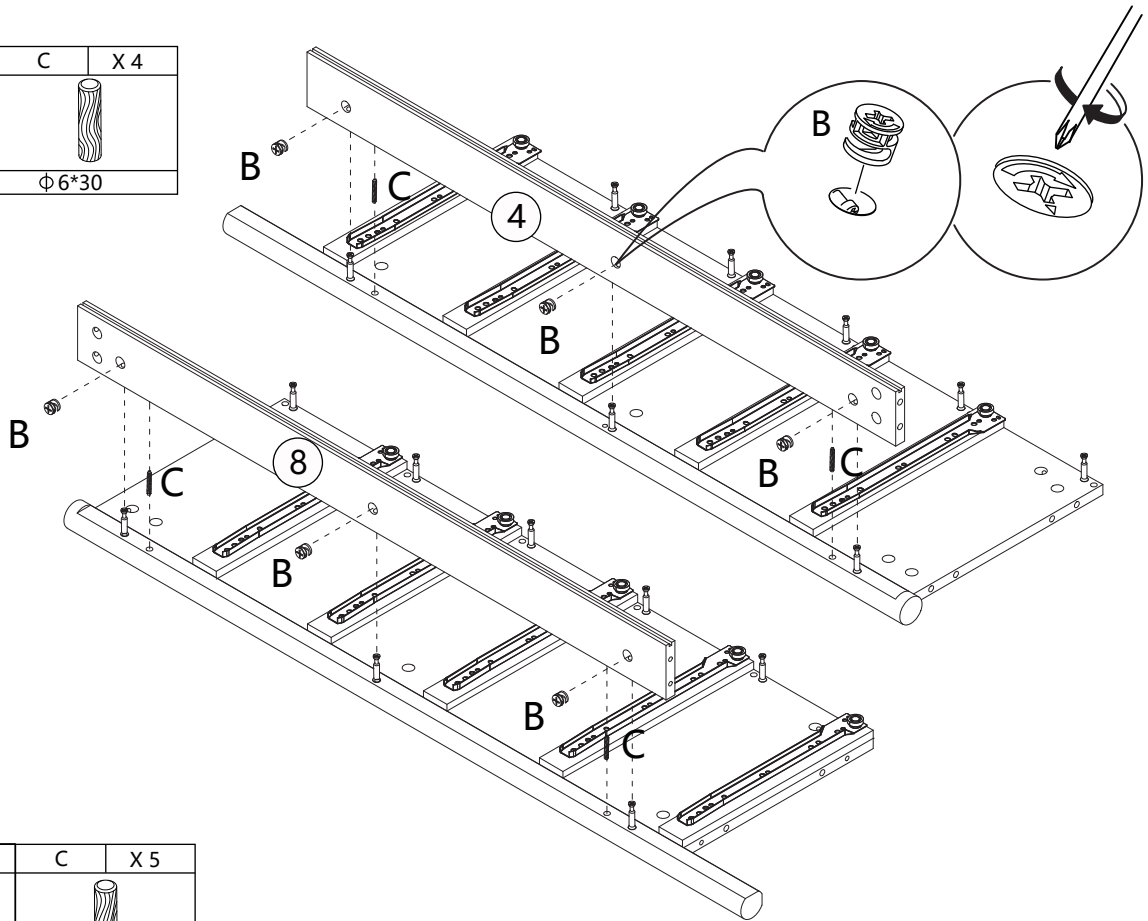
STEP4

B	X 6	C	X 4
			
Φ15*10		Φ6*30	





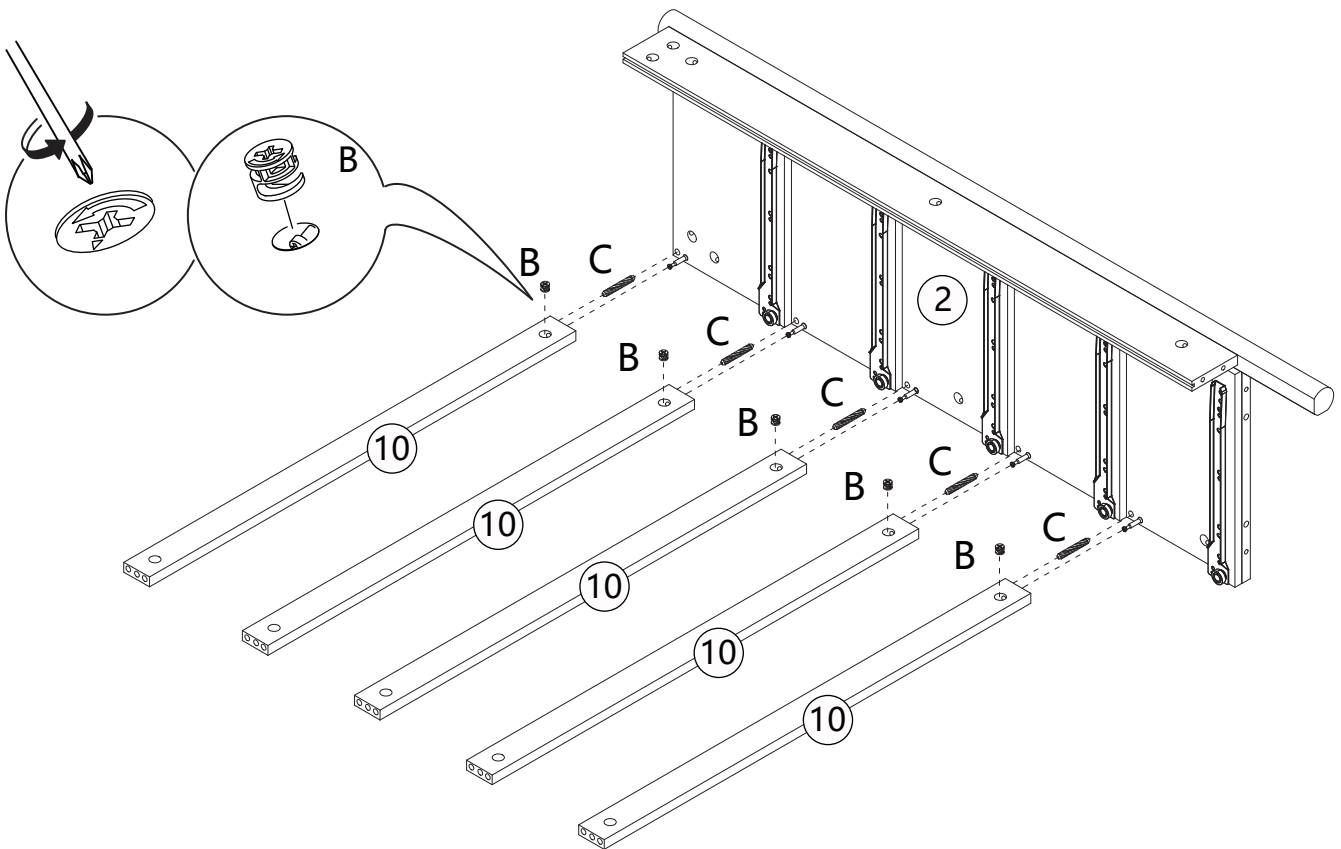
STEP5

B	X 6	C	X 4
			
$\Phi 15 \times 10$		$\Phi 6 \times 30$	





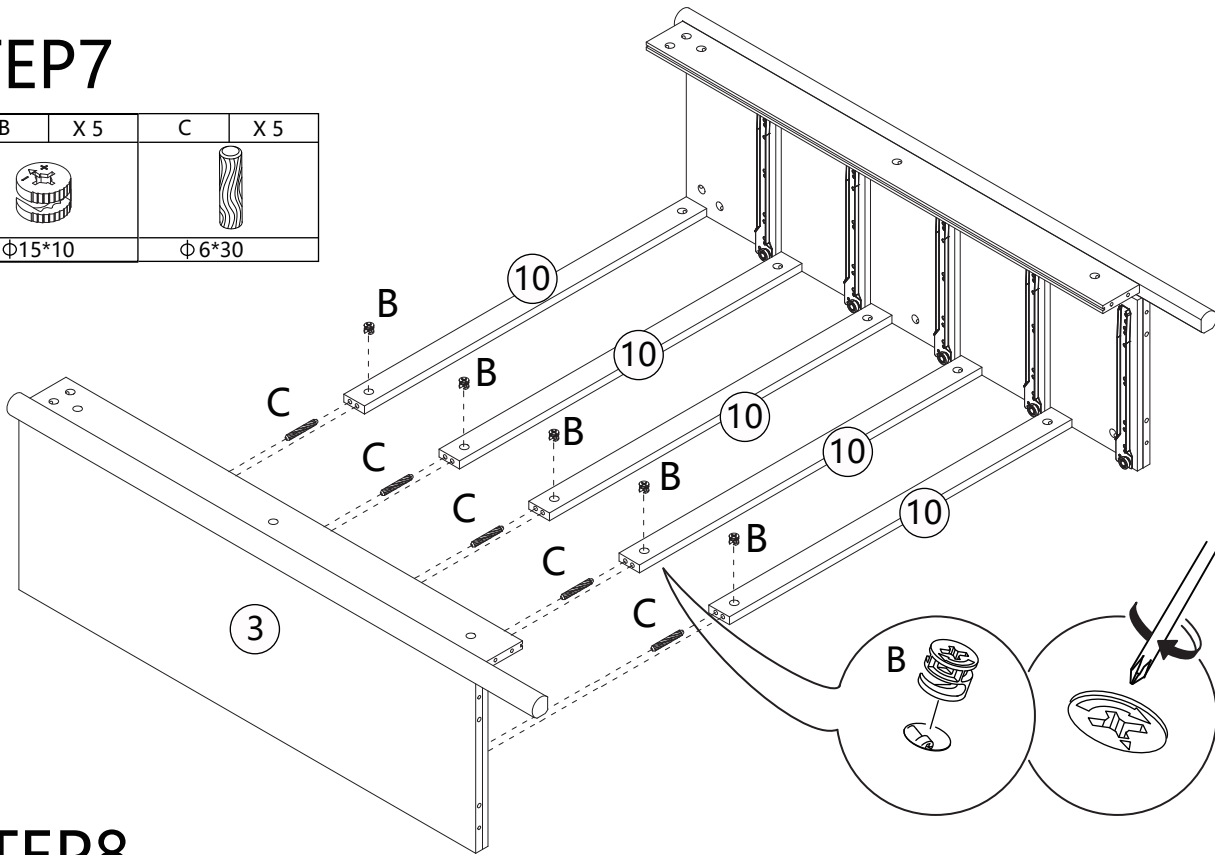
STEP6

B	X 5	C	X 5
			
$\Phi 15 \times 10$		$\Phi 6 \times 30$	





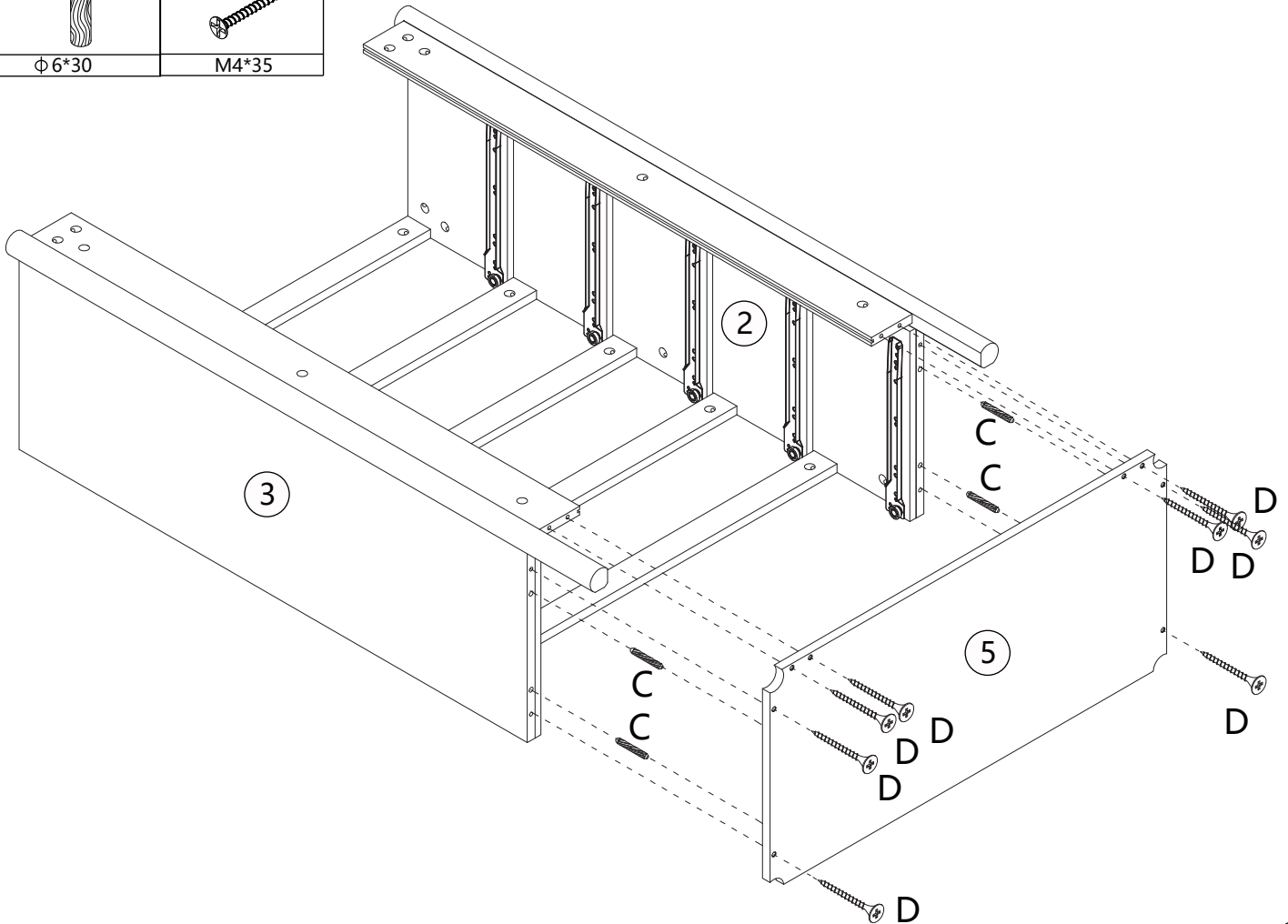
STEP 7

B	X 5	C	X 5
			
$\Phi 15 \times 10$		$\Phi 6 \times 30$	

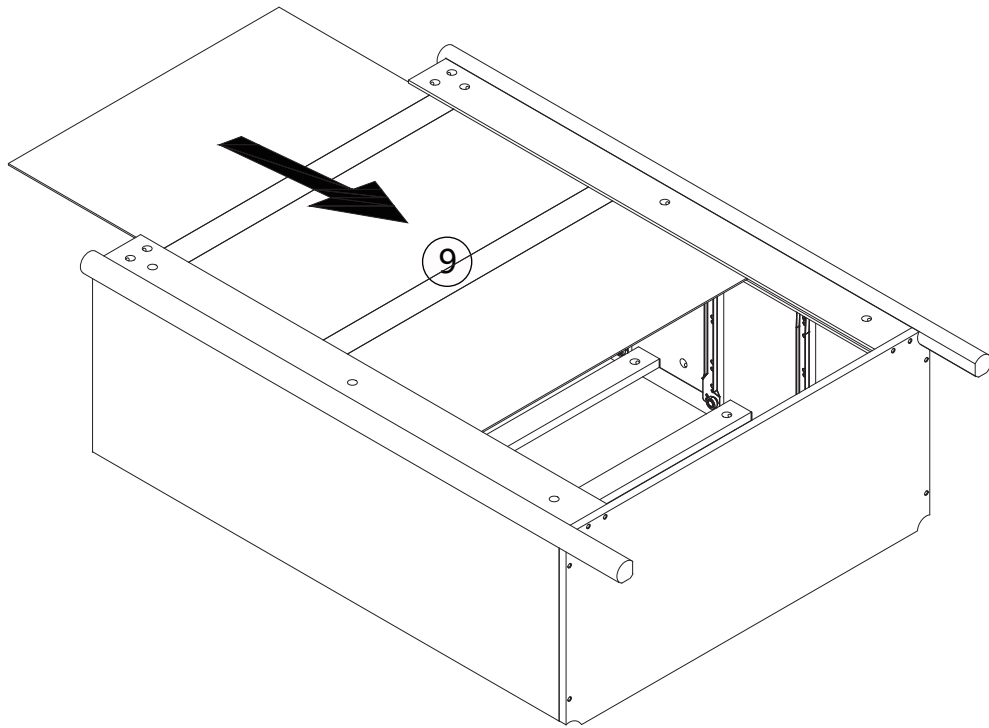


STEP 8

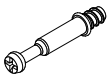
C	X 4	D	X 8
			
$\Phi 6 \times 30$		M4 \times 35	

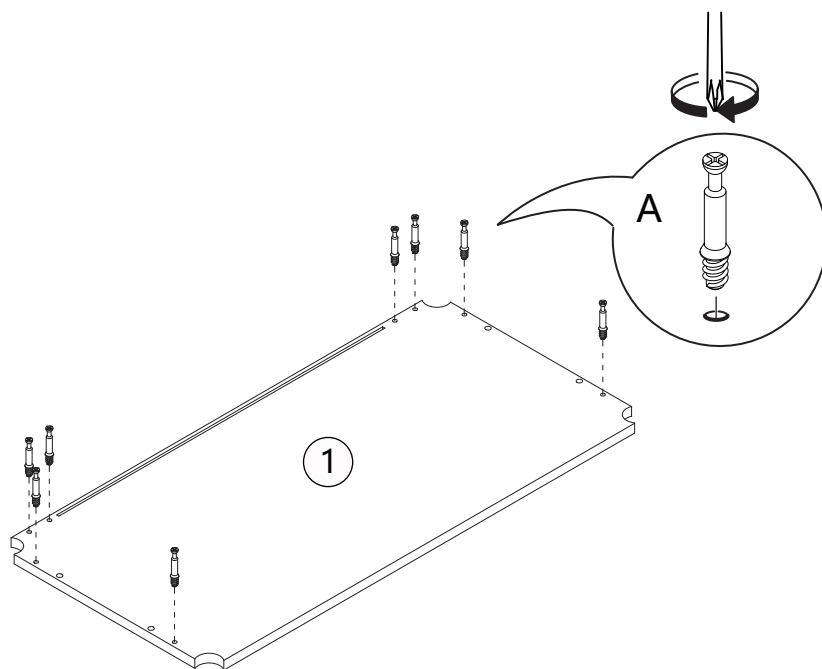


STEP9





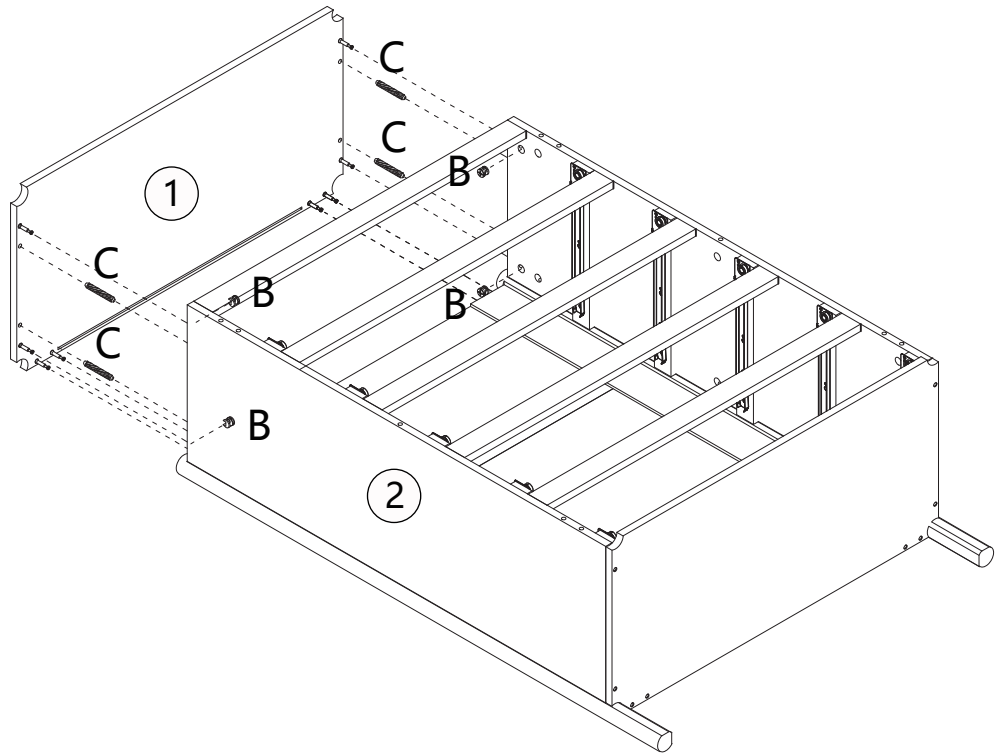
STEP10

A	X 8
	
M6*35	






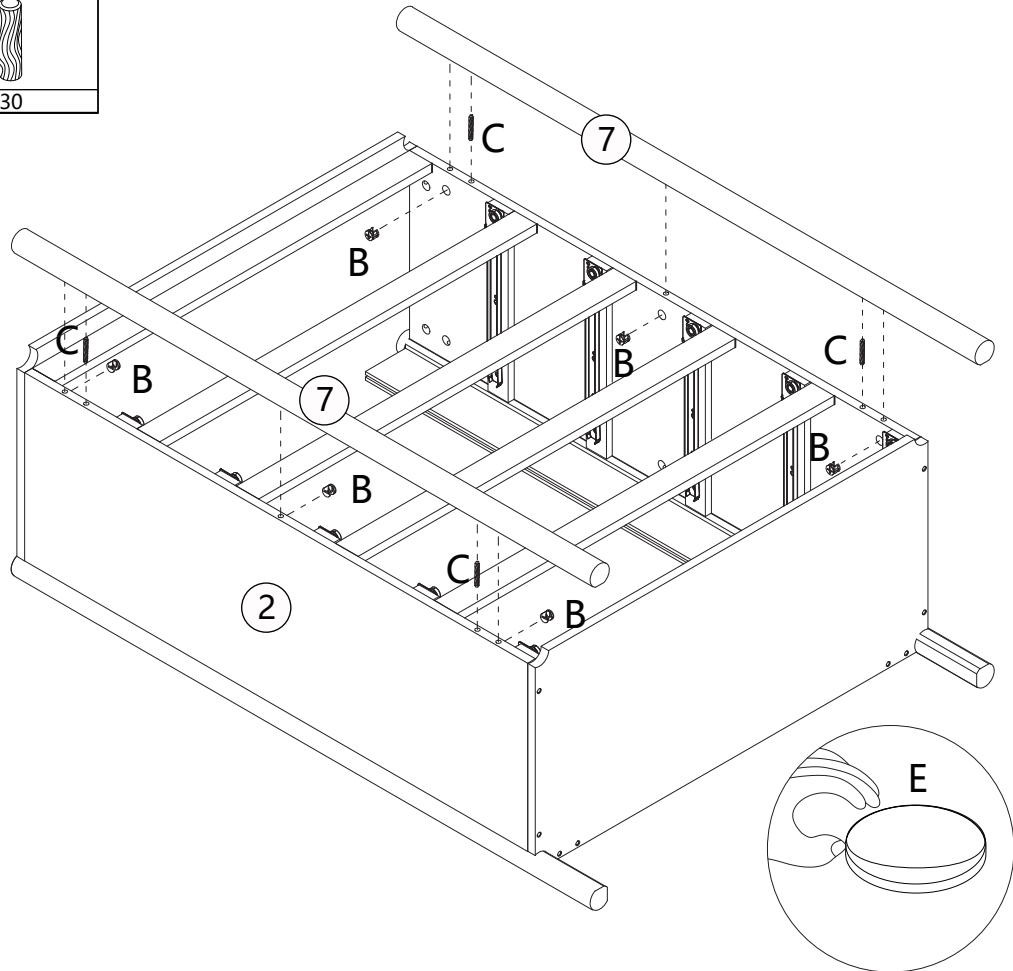
STEP11

B	X4	C	X4
			
$\phi 15*10$		$\phi 6*30$	




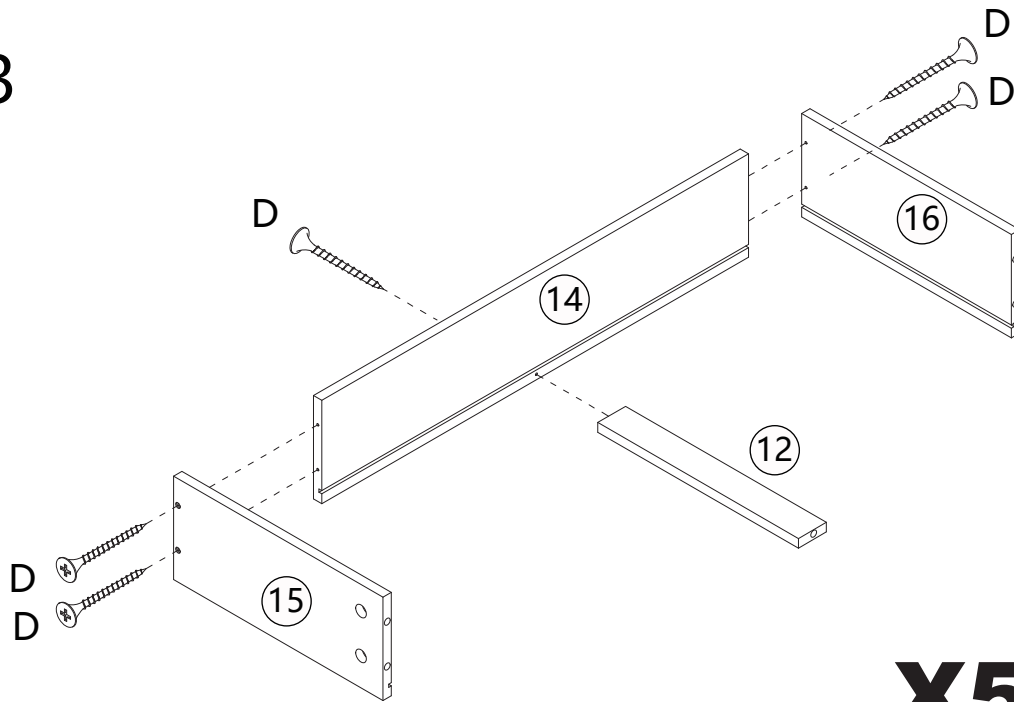
STEP12

B	X6	C	X4
			
$\phi 15*10$		$\phi 6*30$	
E	X4		
			
$\phi 25*3$			



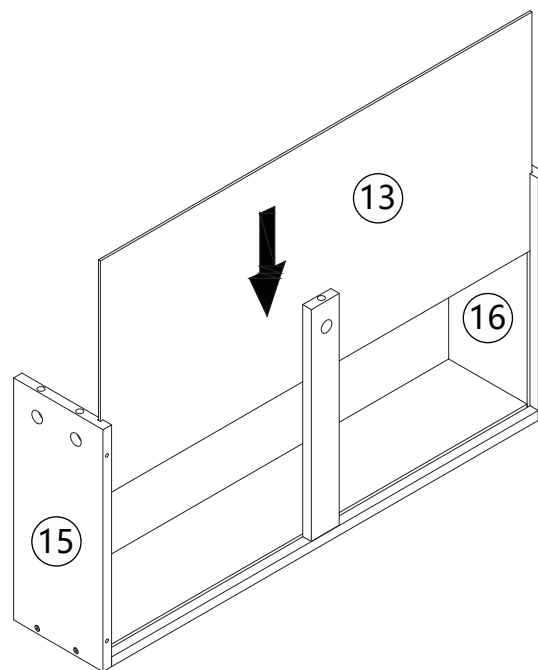
STEP13

D	X 25
	
M4*35	



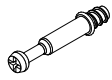
X5

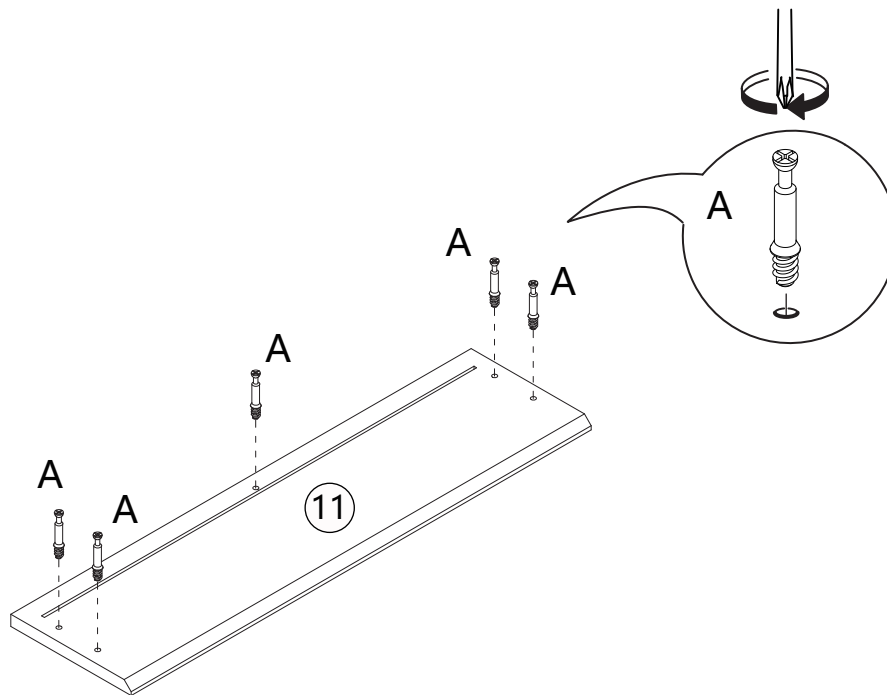
STEP14



X5


STEP15

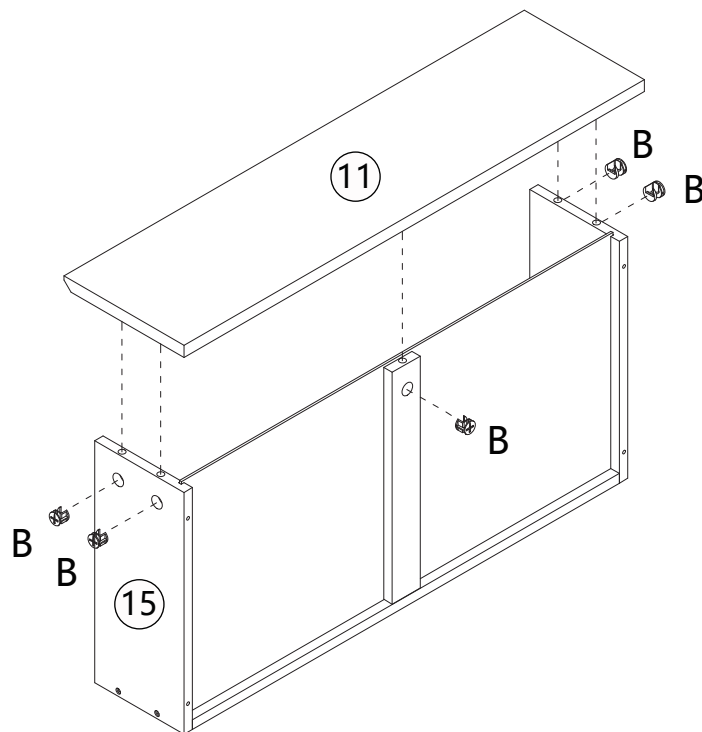
A	X 25
	
M6*35	



X5




STEP16

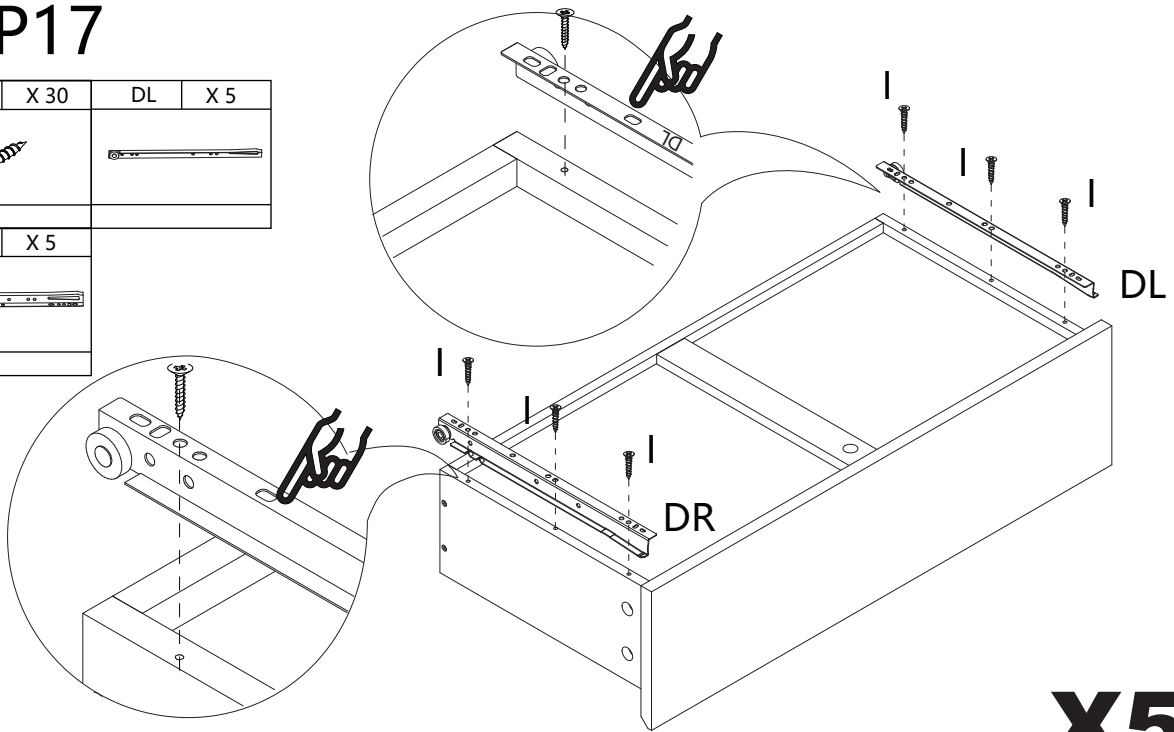
B	X 25
	
Φ15*10	



X5

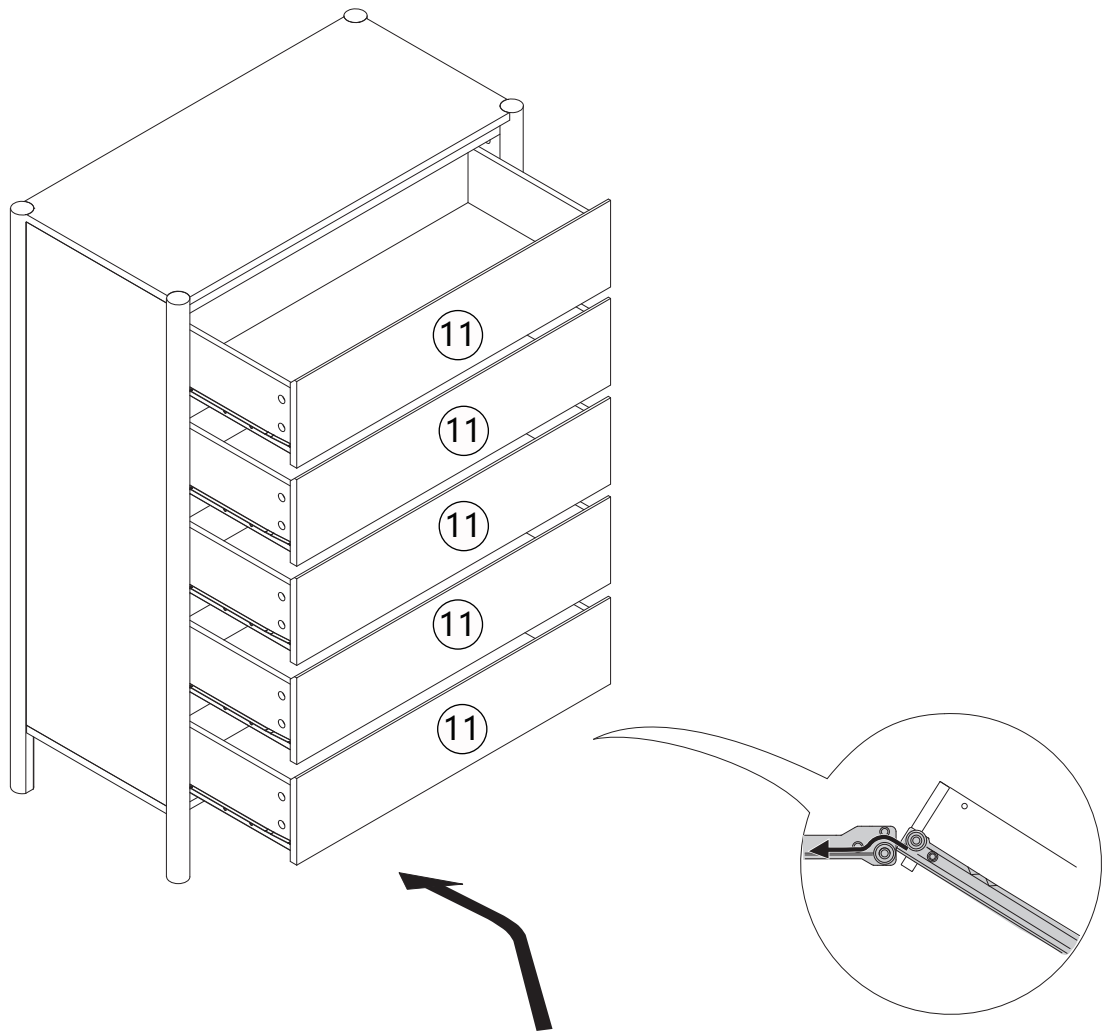
STEP17

I	X 30	DL	X 5
			
DR	X 5		
			






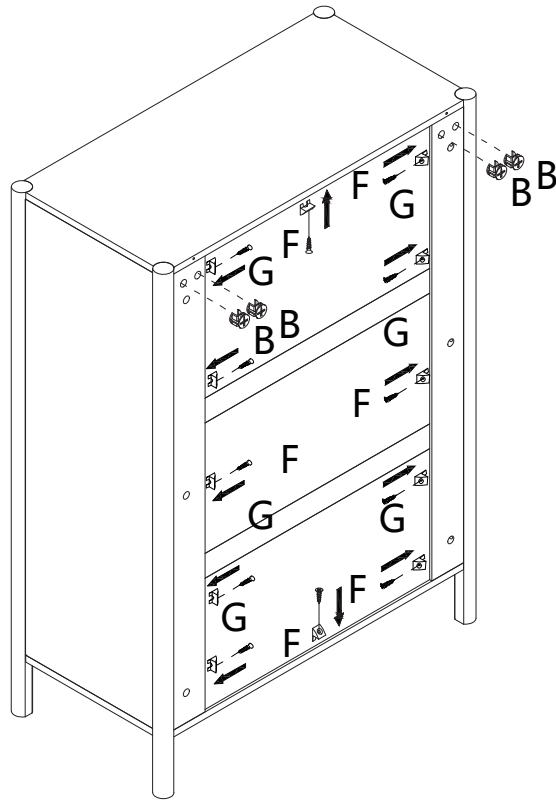
X5

STEP18





STEP19

F	X 14	G	X 14
			
M3*14			
B	X 4		
			
Φ15*10			



STEP20

D	X 2	L	X 2
			
M4*35		M4*12	
N	X 2		
