

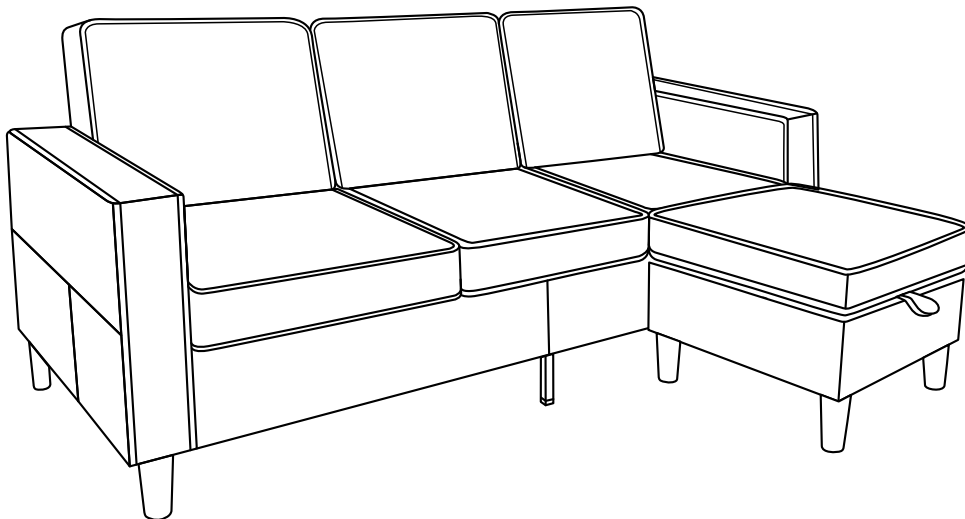
ASSEMBLY INSTRUCTION

DEAR CUSTOMER

Thank you for purchasing our product. Please read this assembly instruction carefully before assemble and use, and keep it for future reference.

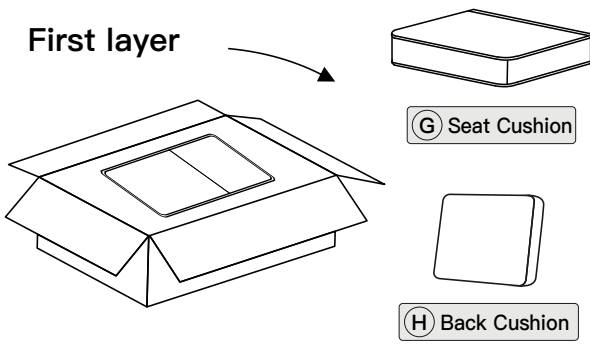
Tips:

1. Please check whether the outer packaging is intact before opening to avoid damage during transportation.
2. Assemble this product on a flat and clean surface to avoid scratching. It is recommended for one or two people to assemble.
3. After unpacking, please confirm in time all the parts and hardware are included. Please do not discard any packaging, if for any reason you need to return this product, it must be returned in its original packaging.
4. If you have any questions about the products, please send an email to [on the website!](#)
5. Please keep small parts out of reach of children or pets to prevent them from swallowing.
6. Please read the installation steps in the Instruction carefully and follow the steps in the Instruction to assemble.

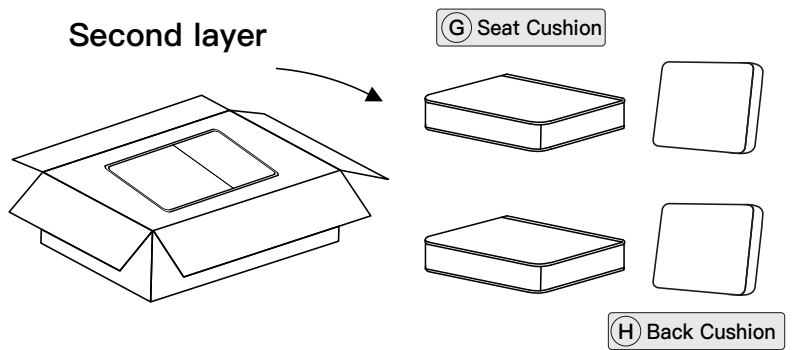


Unpacking Step

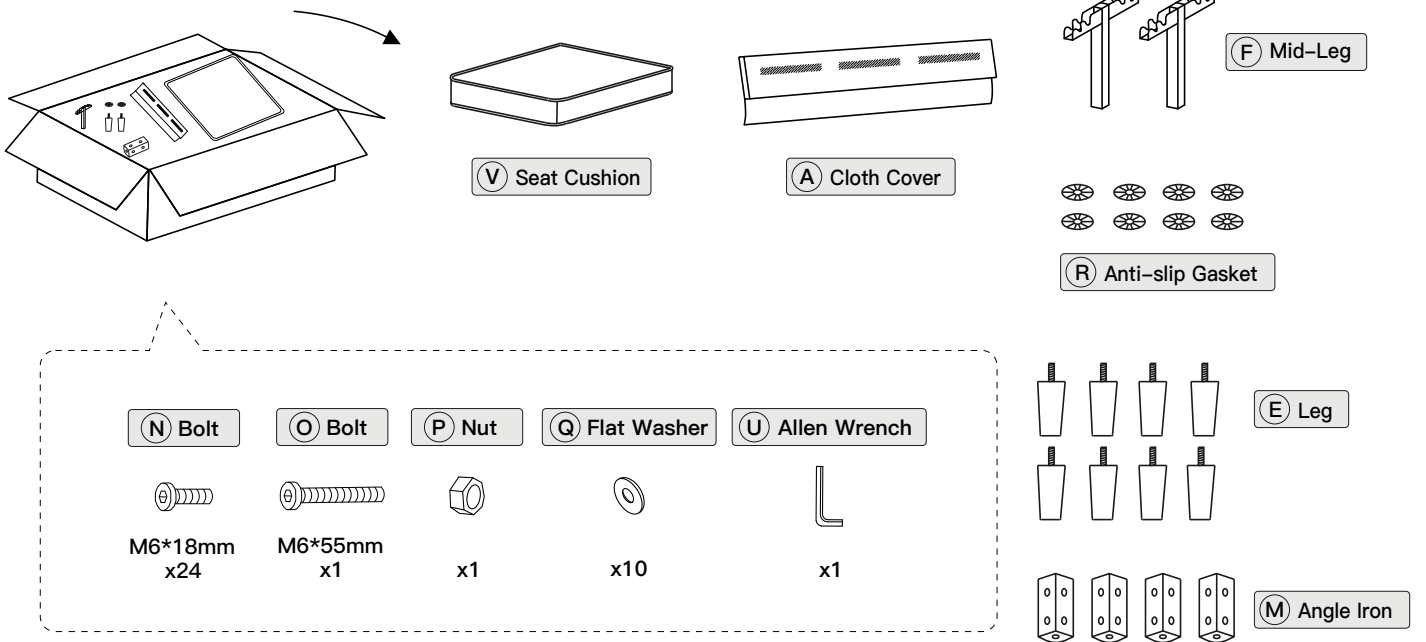
First layer



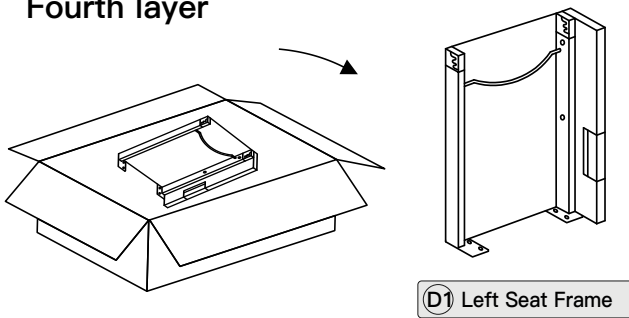
Second layer



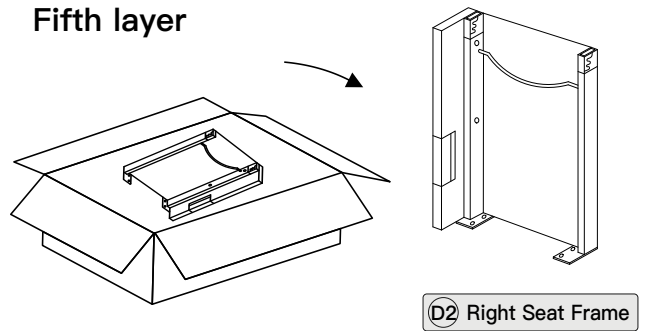
Third layer



Fourth layer

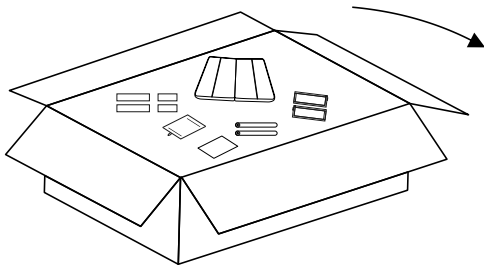


Fifth layer

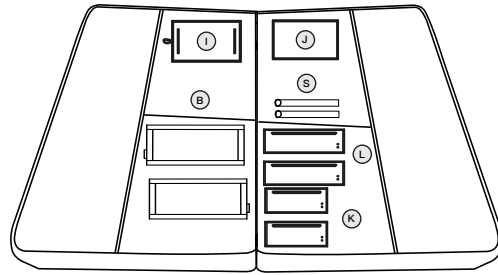


Unpacking Step

Sixth layer



The parts(B/S/J/K/L/I) are hidden in left/right armrest



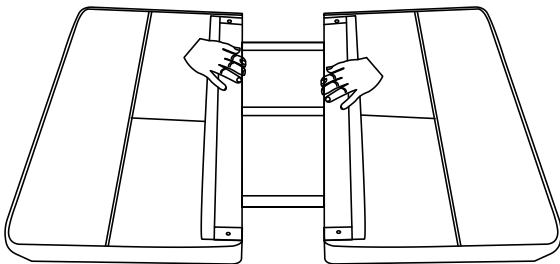
C1 Left Armrest

C2 Right Armrest

Step1 Open the left/right armrest (C1/C2) ,pull out the parts (B/S/J/K/L/I) which are hidden in them.

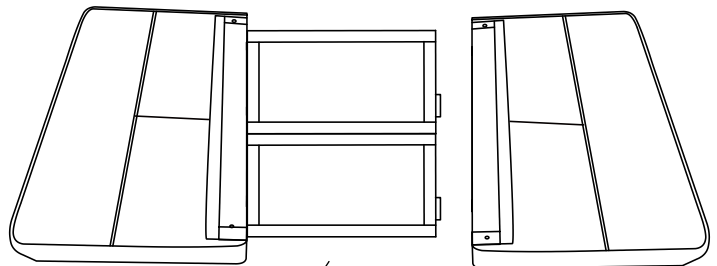
C1 Left Armrest

C2 Right Armrest



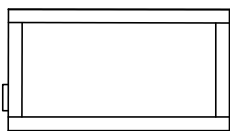
C1 Left Armrest

C2 Right Armrest



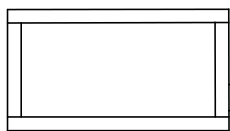
Back Frame

B



Back Frame

B

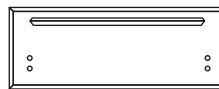


S

Metal Pipe

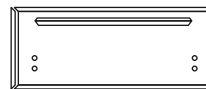
Side Panel

L



Front/Back Panel

K



Cover Panel

I

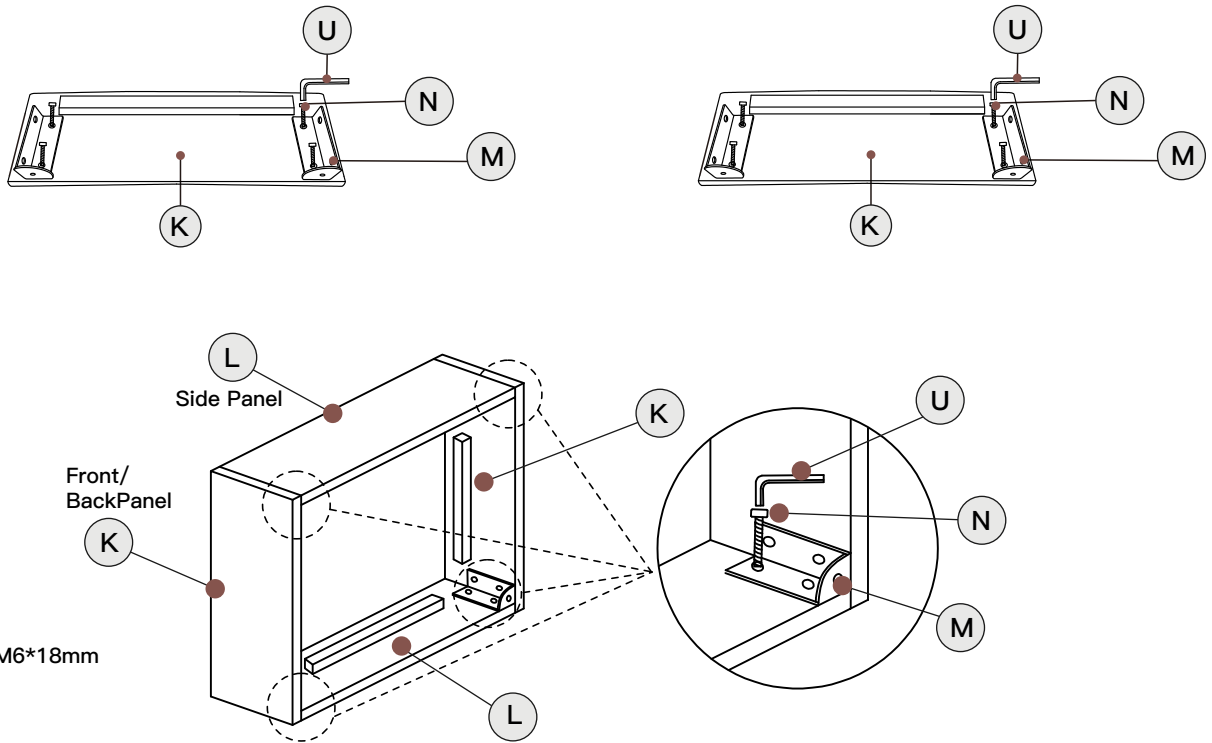


J

Base Panel

Step2

First screw the angle irons (M) on the front/back panel (K) using the bolts (N) and the allen wrench (U), then screw the angle irons (M) on the side panels (L) using the bolts (N) and the allen wrench (U).

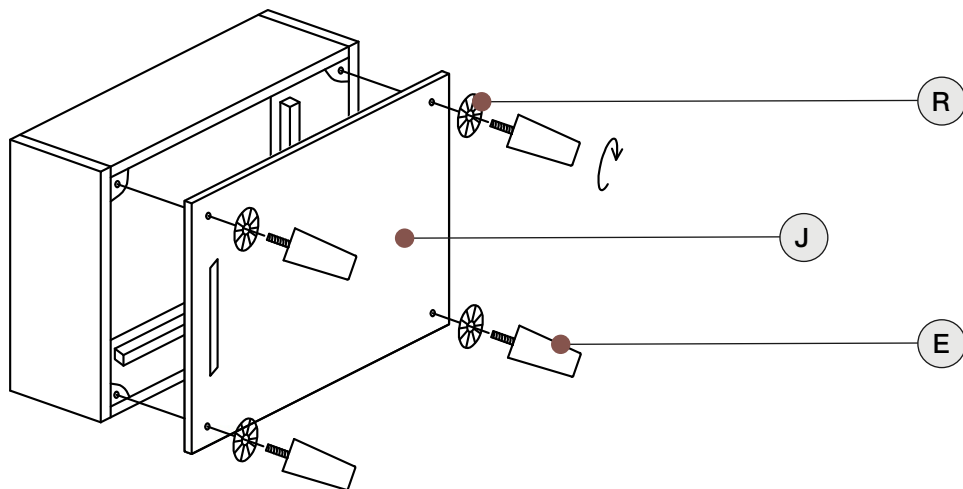


L		x2
K		x2
M		x4
N		x16
U		x1

M6*18mm

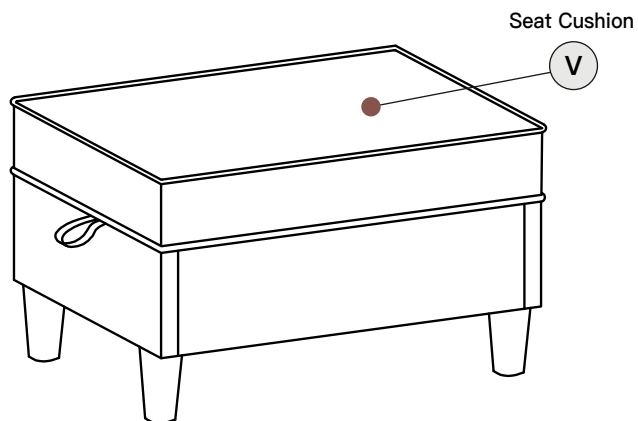
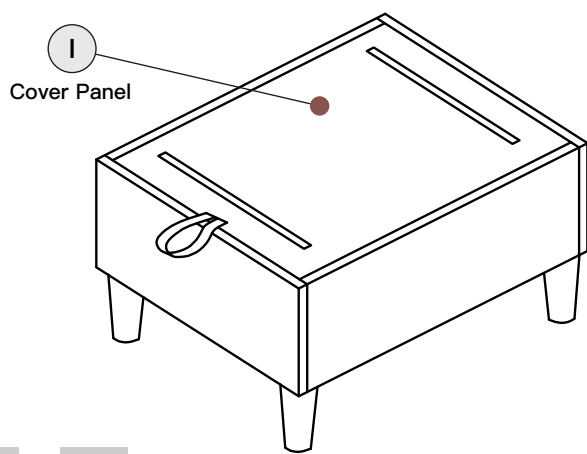
Step3



Insert the bolts on the Legs into the anti-slip gaskets (R) and the base panel (J), and tighten them onto the ottoman.



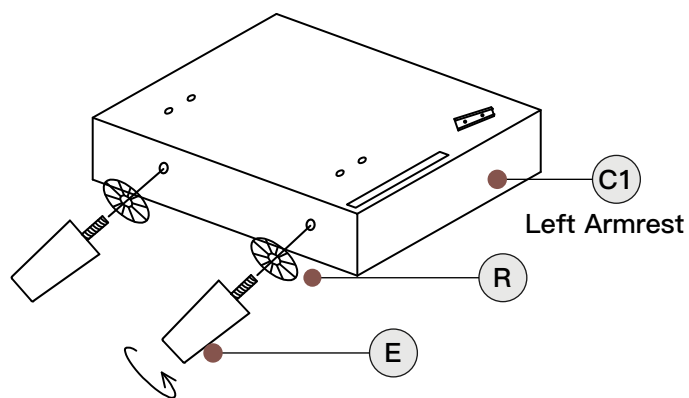
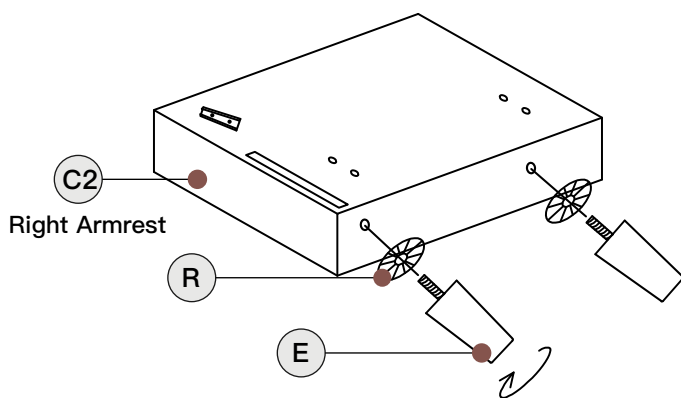
R		x4
J		x1
E		x4





Step4 Put on the cover panel (I) and the seat cushion (V) on the ottoman.



I		x1
V		x1

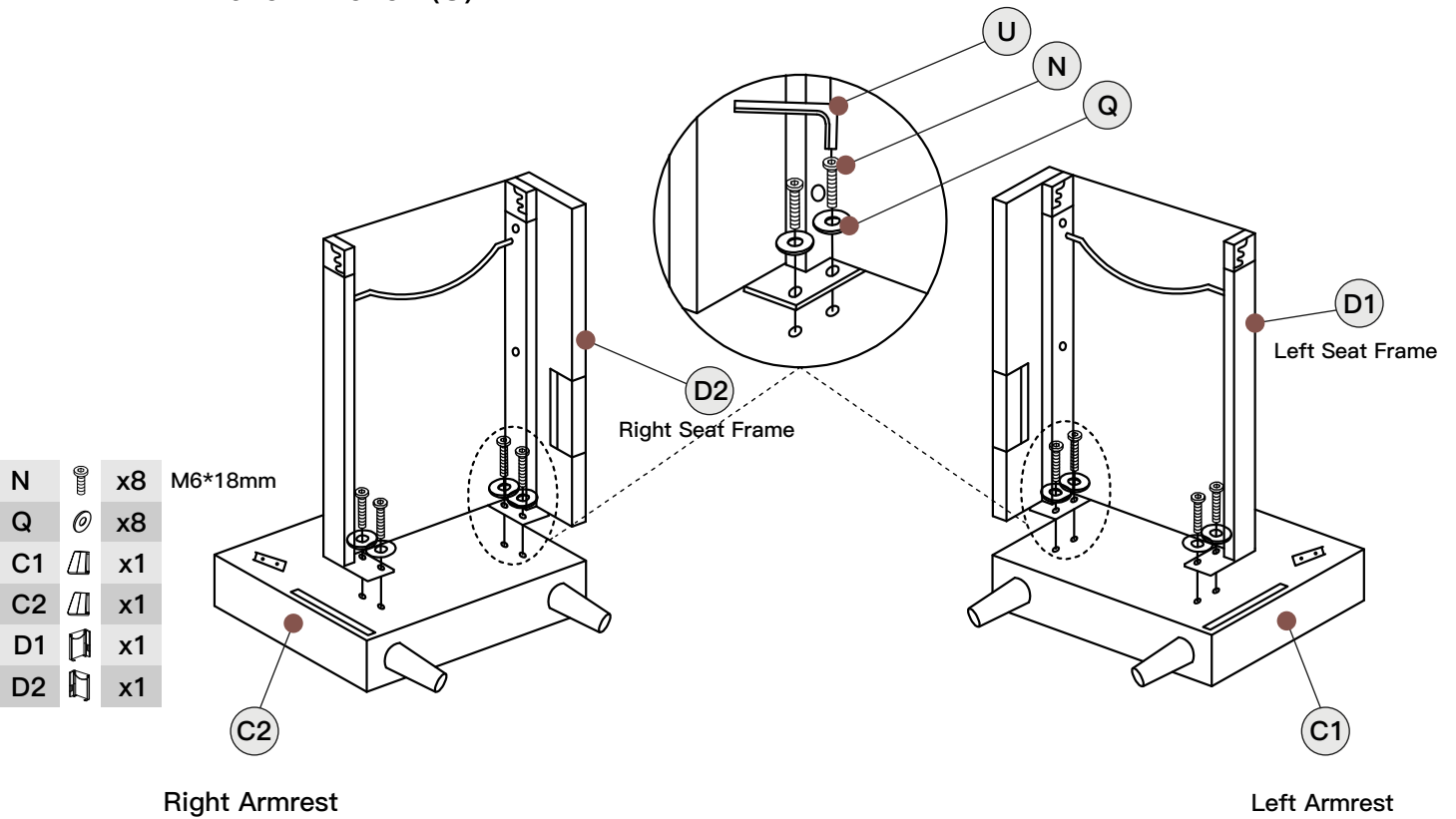
Step5 Put the anti-slip gaskets (R) into the legs (E) and tighten them on the left/right armrest (C1/C2).



C1		x1
C2		x1
R		x4
E		x4

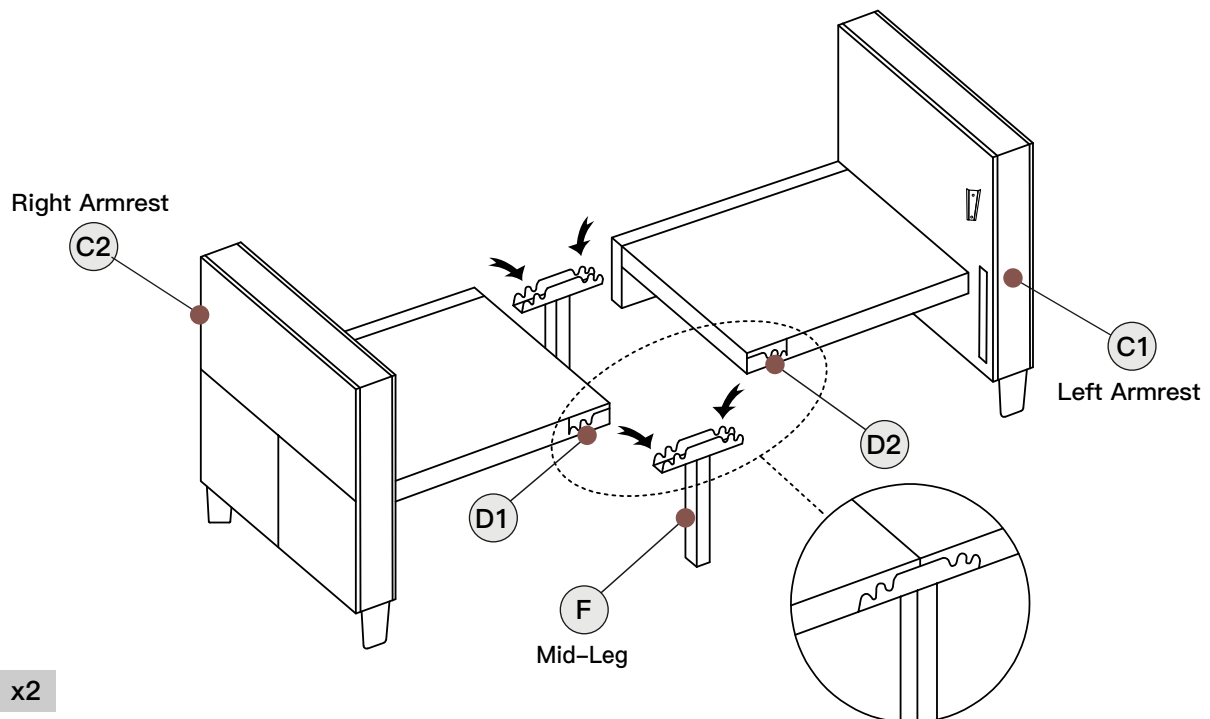
Step6

Screw the left/right seat frame (D1/D2) onto the left/right armrest (C1/C2) using the bolts (N), the flat washers (Q) and allen wrench (U).



Step7

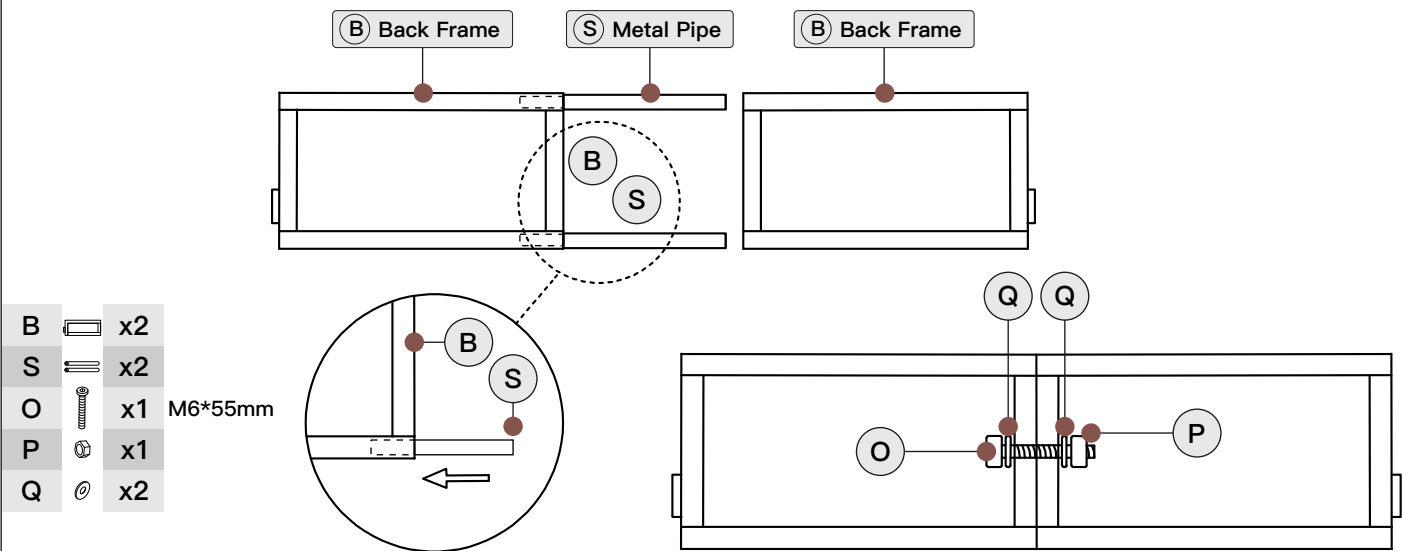
Insert the mid-legs (F) into the position as shown.



F		x2
---	-------------------------------------------------------------------------------------	----

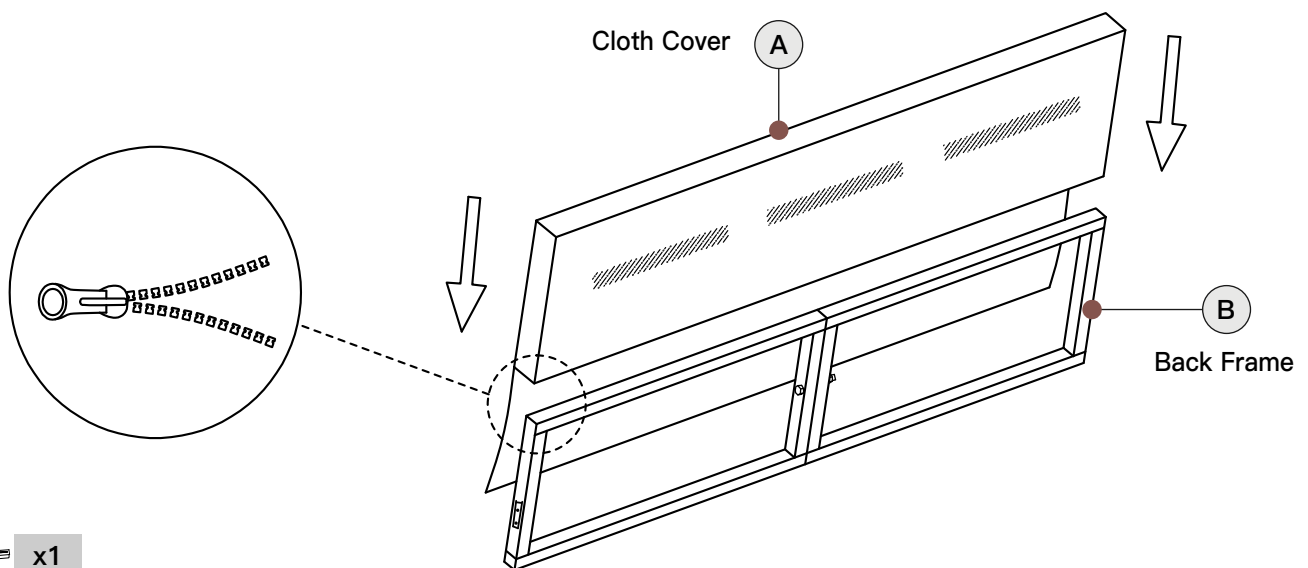
Step8

Insert the metal pipe (S) into the back frames (B) , connect two back frames (B) using the bolt (O), the flat washers (Q) and the nut (P).

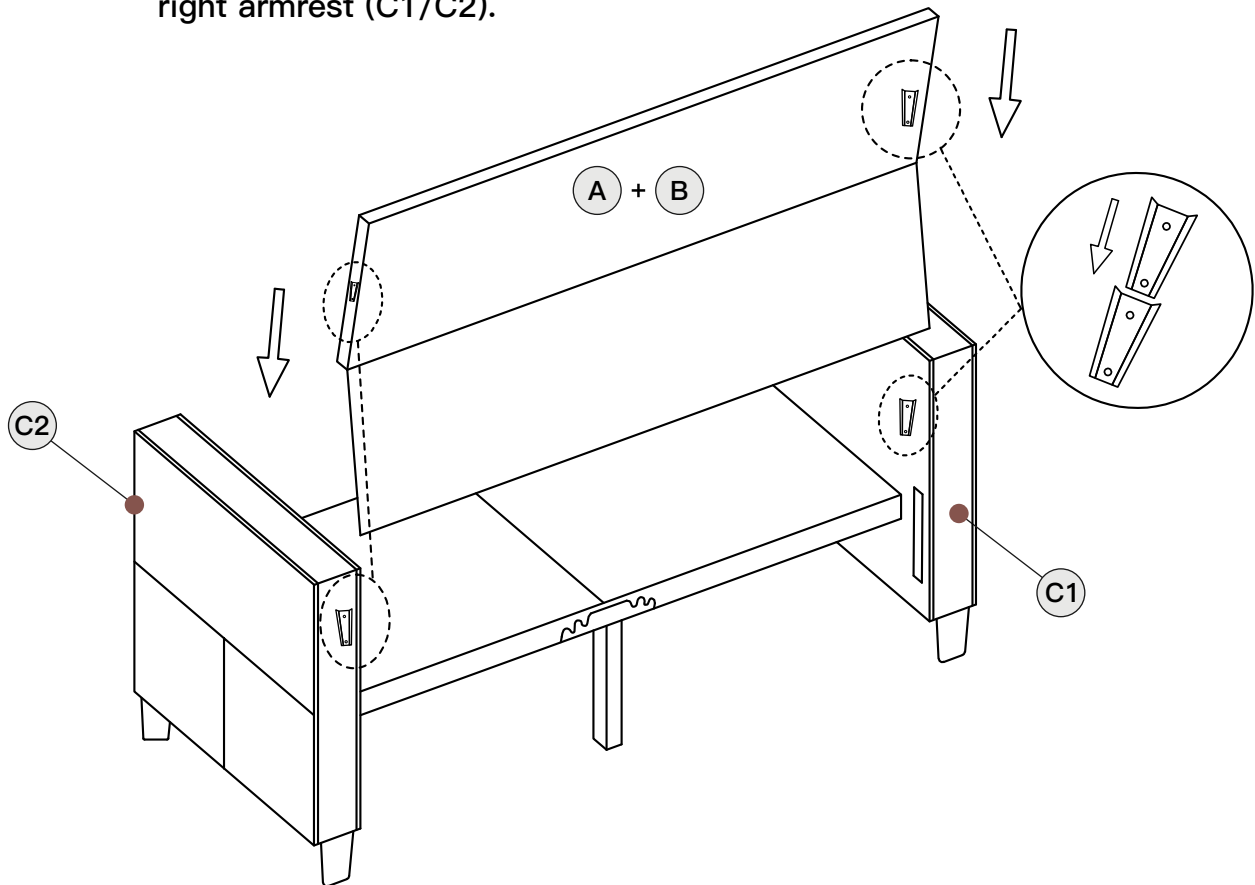


Step9

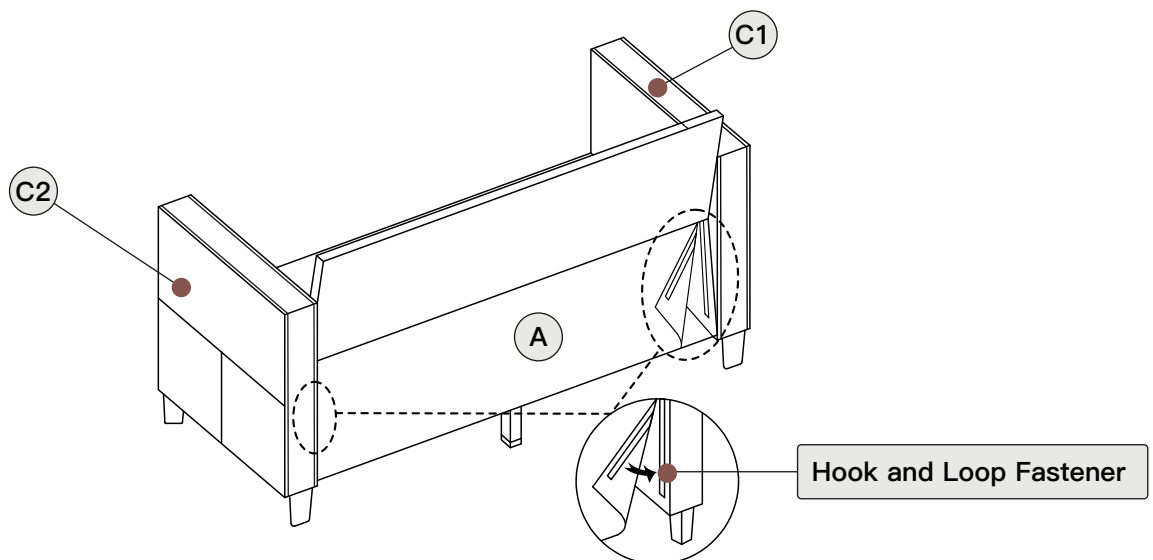
Put the both sides of the cloth cover (A) over the back frames (B) at the same time, and then zipper it up.



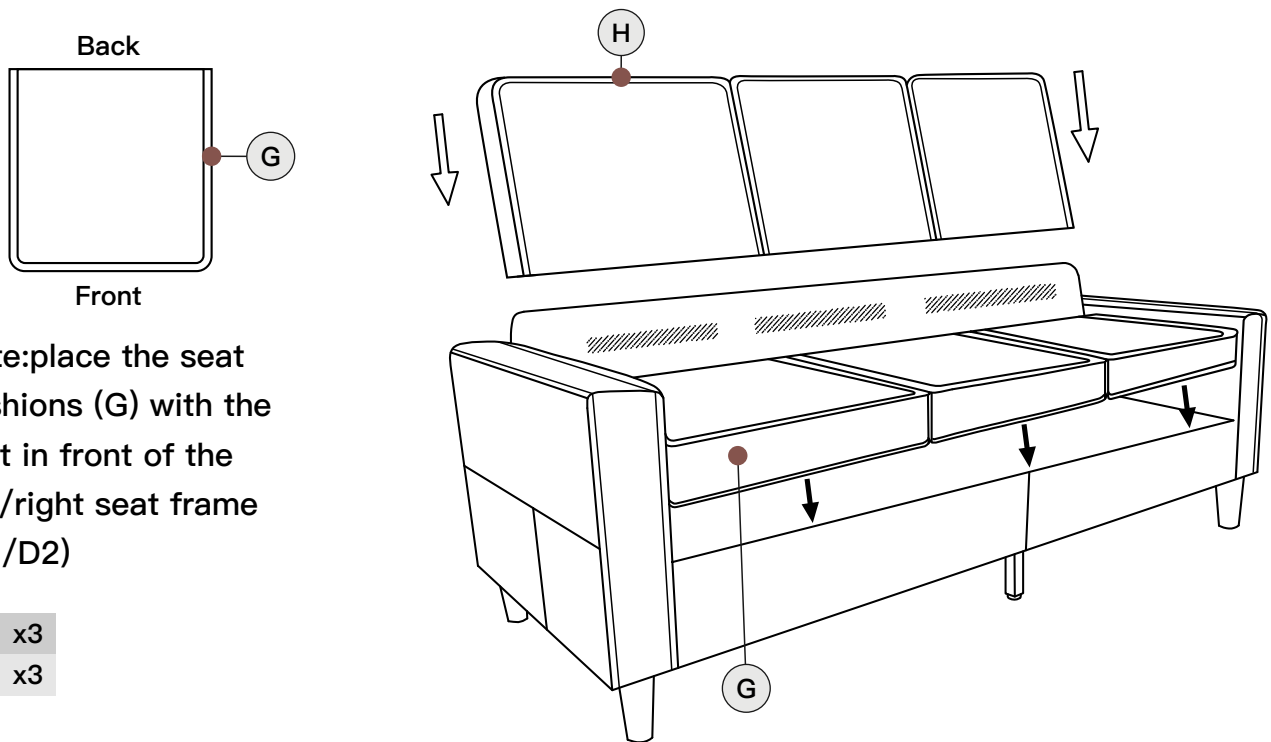
Step 10 Insert the cloth cover (A) with the back frames (B) into the left/right armrest (C1/C2).



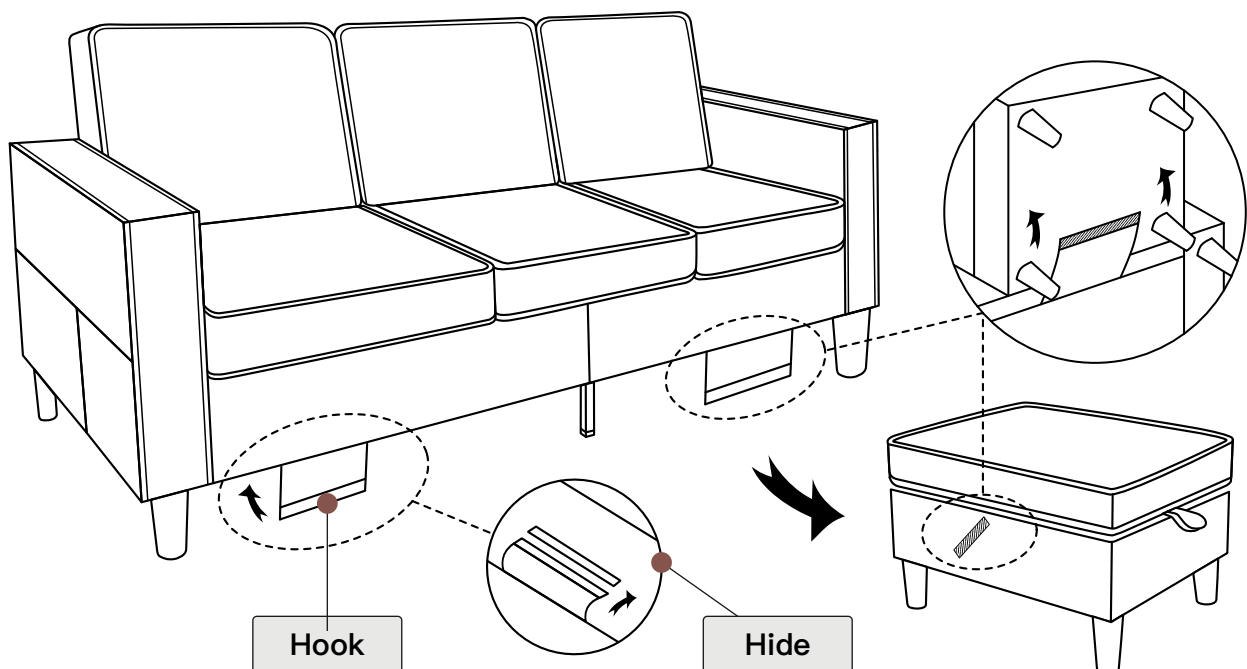
Step 11 Attach the cloth cover (A) and the left/right armrest (C1/C2) together by the hook and loop fastener.

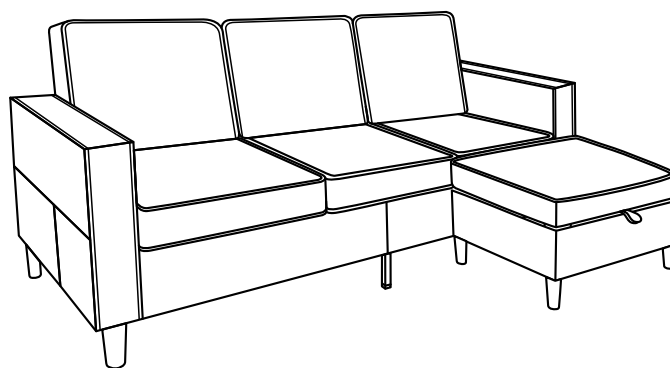
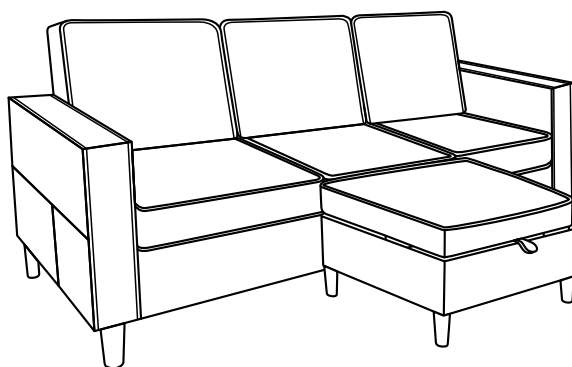
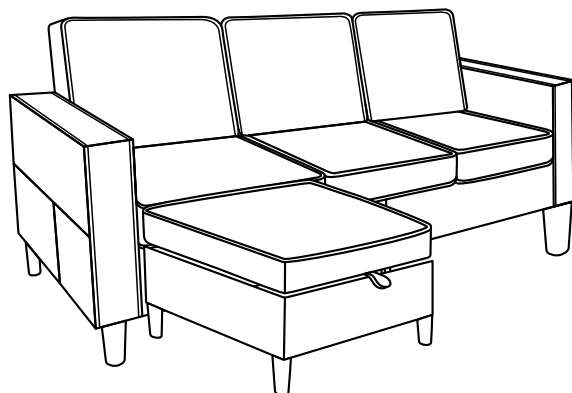


Step12 Put the back cushions (H) and the seat cushions (G) in place.



Step13 The ottoman can conveniently be placed in front of the sofa. when placing in the both sides, if using, connect the hooks on the sofa to the loop on the ottoman, if not using, fold the hooks to hide in the sofa.





**Assembly completed!
Please enjoy your sofa!**