

Installation Instructions

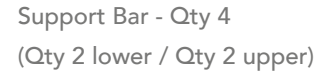
Model #SINSTALL-401

No framing, no fuss—just a smarter, stronger way to support and precisely level your undermount sink with the engineered strength of the SinkSense Level-Up Undermount Sink Support.


PARTS INVENTORY

 Machine Screw - Qty 25


 Wood Screw - Qty 17

 Support Bar - Qty 4
(Qty 2 lower / Qty 2 upper)

 Lock Nut - Qty 25

 Foam Strip Adhesive - Qty 1 Roll

 Wall Bracket Assembly - Qty 4

 Spacer - Qty 2 (support bar for cabinet base wider than 36")


To ensure **SAFE** and **ACCURATE** installation please read all instructions prior to starting

DISCLAIMER

The following instructions are typical of an undermount application and are for reference only. These instructions are only intended to be a guide as many variables influence the mounting technique for your specific application.

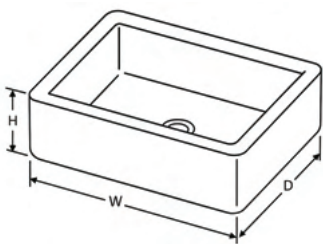
Component images may vary from actual parts.

WARNINGS

Do NOT lay under sink while making adjustments to Lift Actuator Assemblies. In the unlikely event of failure the sink may fall, causing potential injury.

Please wear gloves while handling parts as they may have sharp edges.

INSTALLATION

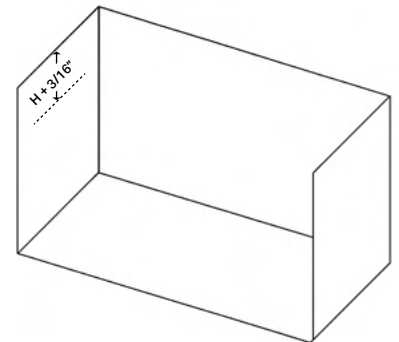


1. Measure sink height, "H", and add 3/16" (note: this is based on a undermount application. Modify "H" accordingly for flush or raised mount applications). Mark

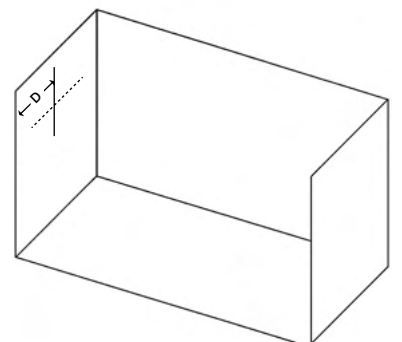
distance from top of cabinet frame (bottom of countertop plane). Complete on left and right cabinet base walls. *Verify all measurements prior to drilling any holes.*

Example: H=10". Mark line at 10 3/16" below top of cabinet. Top of Adjustable Support Bar Mount will align with this line. Once Support Bars are installed sink should sit approximately 5/16" above top of cabinet frame. Once sink is lowered into its final position the brackets will allow approximately 1 1/16" of adjustment below counter top plane in the event sink must be removed or adjusted.

2. Use straight edge to mark line from front to back. Complete on left and right cabinet base walls.



3. Measure sink depth and mark where center of sink will be positioned, "D". Complete on left and right cabinet base walls. Apron sinks will protrude from front of cabinet base—mark center accordingly.



SinkSense® Level-Up™ Undermount Sink Support

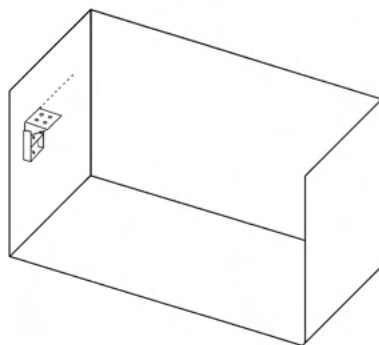
Installation Instructions (Continued)

Model #SINSTALL-401

If the drain is near the back, place the rear Wall Bracket further back; it's OK if the sink rests on the front lip of the rear support bar.

4. Ensure vertical adjustment screw is all the way counter-clockwise, then back out one full turn, to avoid binding and allow for maximum adjustment.

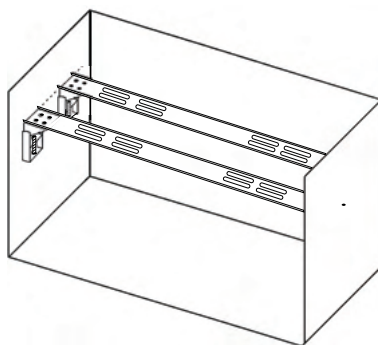
Place Wall Bracket against cabinet base wall with adjustable Support Bar mount even with horizontal line marked in step 2 (one Wall Bracket in front of depth "D" vertical line and one Wall Bracket in back of depth "D" vertical line with enough space between Wall Brackets to allow space for drain/disposal units).



Mark lower mounting hole positions. Drill two 5/32" pilot holes for each Wall Bracket. Fasten Wall Bracket to wall with two wood screws. Repeat for remaining three Wall Brackets. *Note: Upper mounting holes will be fastened in step 11.*

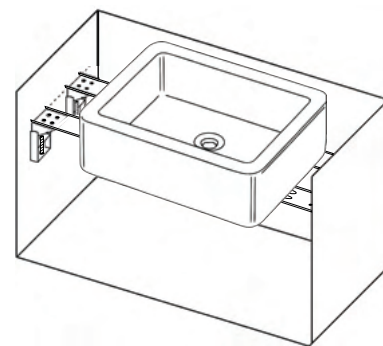
5. Nest upper and lower Support Bars to achieve approximate width between Wall Brackets. Attach support bars together using machine screws and lock nuts. Leave slightly loose to allow for lateral adjustment.
6. Attach Support Bar assemblies to Wall Brackets with machine screws and lock nuts. Leave nuts slightly loose to allow for vertical play while adjusting sink position. Do not tighten fasteners until step 10.

Ensure Support Bars are spread as wide as possible so adjustable Support Bar mounts are against fixed brackets.



7. Cut Foam Strip Adhesive to slightly longer than sink width (W). Place Foam Strip Adhesive along tops of Support Bars where sink will rest.

Use Support Bar Spacers with Foam Strip Adhesive if more than 3" of sink bottom is not in contact with upper Support Bar.



8. Place sink on top of support bars and gently position left to right/front to back.

Do not connect plumbing to sink at this time.

9. Turn vertical adjustment screws to align sink with countertop plane using a long straight edge to ensure accurate placement.
10. Tighten all fasteners and ensure sink remains in correct position.
11. Fasten upper portion of Wall Brackets assembly to cabinet base wall by drilling two 5/32" pilot holes and installing two wood screws through upper mounting holes. Repeat for remaining three Wall Brackets.

Confirm sink remains in correct position after securing each Wall Bracket assembly in case of shift while tightening.

12. With sink in final position apply caulking to seal gap where sink mates to countertop.
13. Connect plumbing to sink.

FRONT VIEW

SIDE VIEW

