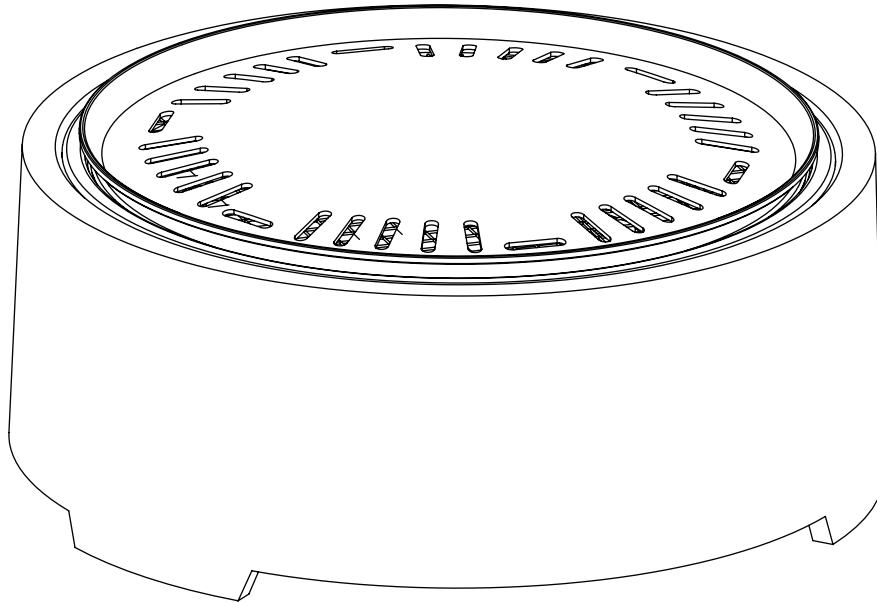


Afterglow[®]

Portable Charcoal Grill



WARNING

Use outdoors or indoors in a well-ventilated area.

WARNING

This product can expose you to chemicals including carbon monoxide which is known to the State of California to cause birth defects or other reproductive harm. For more information go to www.P65Warnings.ca.gov.



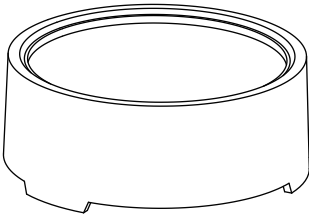
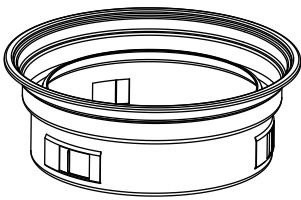
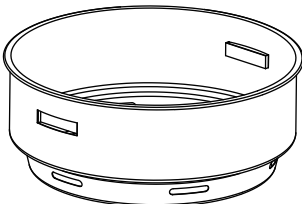
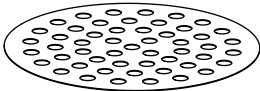
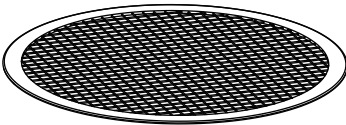
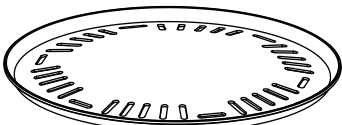
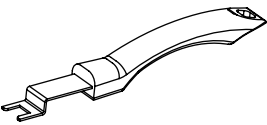
Questions, problems, missing parts?

If instructions or parts are missing, please email us at customerservice@ecotop-china.com

SAFETY INFORMATION

1. This appliance is for outdoor use, or used indoors in a well-ventilated area.
3. This appliance is NOT for commercial use.
4. This appliance is NOT to be operated by children.
5. This appliance is NOT to be used in or on boats or recreational vehicles.
6. Always use in accordance with all applicable local, state and national codes. Contact your local fire department for details on outdoor burning.
7. When using this appliance, exercise the same precautions with any open fire.
8. The use of alcohol, prescription or non-prescription drugs may impair the consumer's ability to properly assemble or safely operate this appliance.
9. Do NOT use this appliance without reading the entire "Owner's manual".
10. Do NOT burn manufactured logs, driftwood, trash, leaves, paper, cardboard, plywood, painted or stained or pressure treated wood that can create the thick smokes. Avoid using softwoods such as pine or cedar that can throw sparks.
11. Do NOT use this appliance near automobiles, trucks, vans or recreational vehicles.
12. Do NOT use in an explosive atmosphere. Keep outdoor area clean and free from combustible materials, gasoline and other flammable liquids.
13. Do NOT use in a very strong wind weather condition.
14. Do NOT leave a lit appliance unattended, especially around children and pets.
15. Do NOT attempt to move or store this appliance until all ashes and coals are completely extinguished and cooled.
16. Do NOT remove ashes or coals until they are completely and fully extinguished and cooled.
17. This appliance should be thoroughly inspected and cleaned on a regular basis.
18. After a period of storage and/or non-use, check for signs of damage and creosote build-up. Do NOT operate until necessary repairs and/or cleanup are executed.
19. It is recommended to use the charcoal briquets or lump charcoal that creates less thick black smokes.

PACKAGE CONTENTS

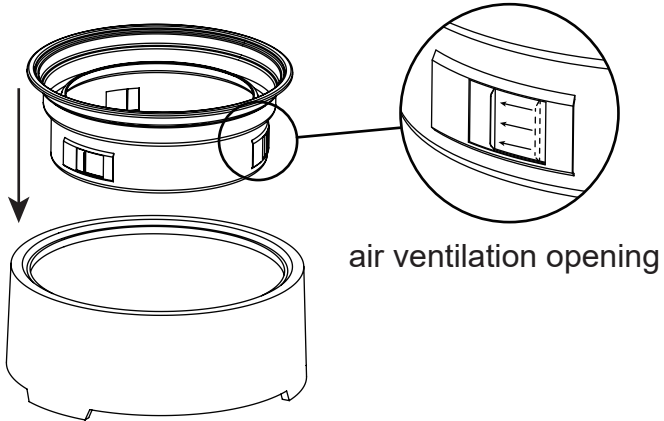
charcoal grill body 1pc	fire bowl 1pc	burning chamber 1pc	wood grid 1pc
			
cooking grid 1pc	cooking pan 1pc	poker 1pc	
			

ASSEMBLY

Remove all parts from packaging and check to make sure you have all parts described Package Contents section. Spread out parts on soft, level surface to avoid scratching parts.

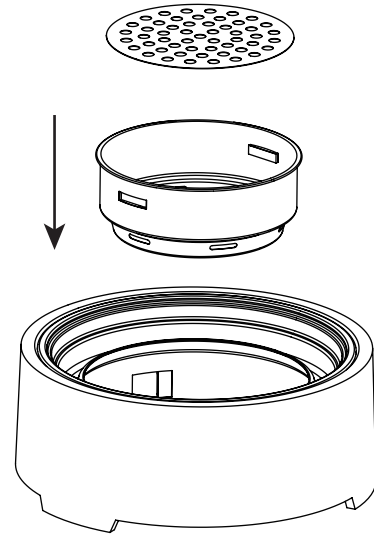
1

Place fire bowl into charcoal grill body, adjust the air ventilation opening to maximum to achieve the enough air supply



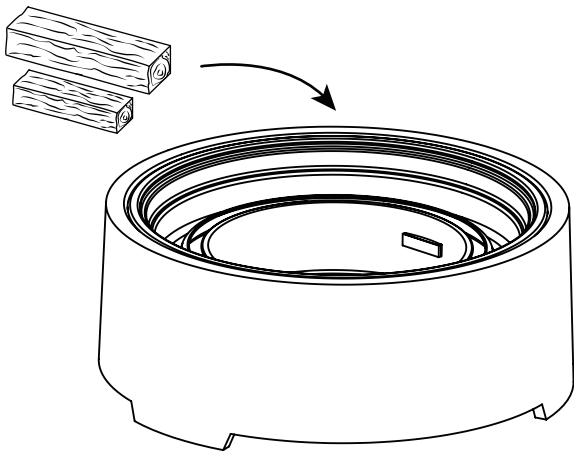
2

Place burning chamber and wood grid



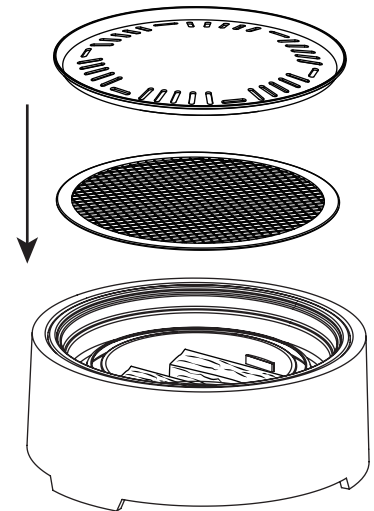
3

Place the charcoal fuel.
(charcoal fuel is not provided)



4

Place cooking grid and/or cooking pan

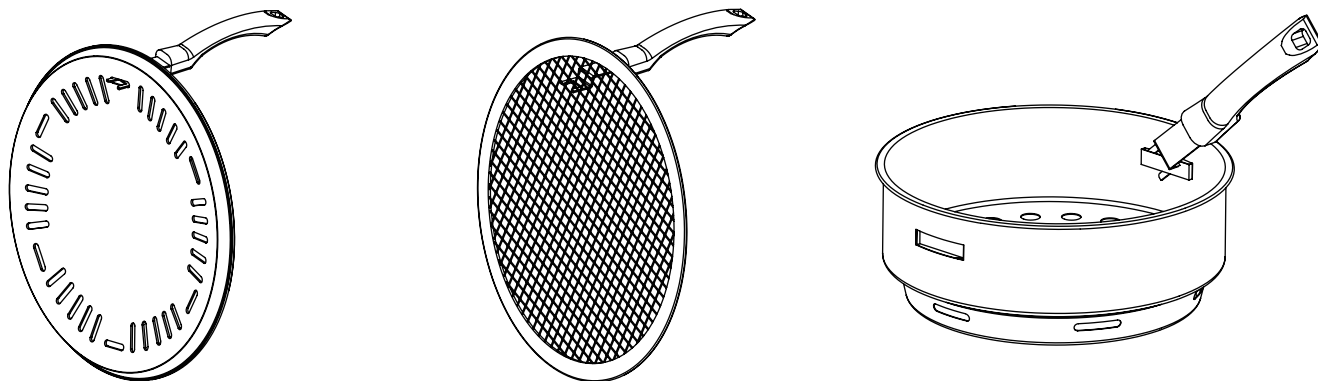


OPERATION

5

How to use the poker, see the figures.

WARNING: DO NOT touch the metal surface directly when it is in use and it is NOT cooled down completely.



OPERATION

CLEANING:

This outdoor grill should be cleaned on a regular basis to promote a safer experience and longer product life. NOTE: After repeated use, a slight discoloration of the finish may occur.

Do NOT attempt to clean this outdoor grill until the fire is COMPLETELY out and the grill has cooled completely.

Do NOT use oven cleaner or abrasive cleaners as they will damage this product.

Do NOT clean any part of this outdoor product in a self-cleaning oven as it may damage the finish.

1. Wipe exterior surfaces with a mild dishwashing detergent or baking soda.
2. For stubborn surfaces, use a citrus based degreaser and a nylon scrubbing brush.
3. Rinse with clean water.

MAINTENANCE:

1. Our products are made to resist premature rusting. However, eventually, all metals will rust. Some environments promote premature rusting of metals. For best results, at the first sign of rust or other corrosion, use an emery cloth, metal-grade sand paper or a rotary tool to buff away the blemish and touch up the spot with rust-resistant spray paint available at local hardware stores.
2. It is recommended to place the charcoals or coals within the area of burning chamber ONLY, so that to avoid the charcoals or coals get touch with the surface of charcoal grill body and scald or blacken the paint on the surface.

WARRANTY

1. Frames

Frames are warranted to be free from defects in materials and workmanship for a period of one (1) year. Damage to frames or welds due to improper assembly or exposure to water and sub-freezing temperatures, is not covered. Breakage that is a result of product being dropped, acts of God, acts of war, etc. are not covered. Rust is not covered.

2. Finish

The finish is warranted against peeling, cracking, or blistering for a period of one (1) year provided the product has not been scratched or abraded. Scratches and chips resulting from normal wear and tear are not covered. Fading resulting from exposure to elements is not covered. Stains as a result of chemical spills and certain food items are not covered.