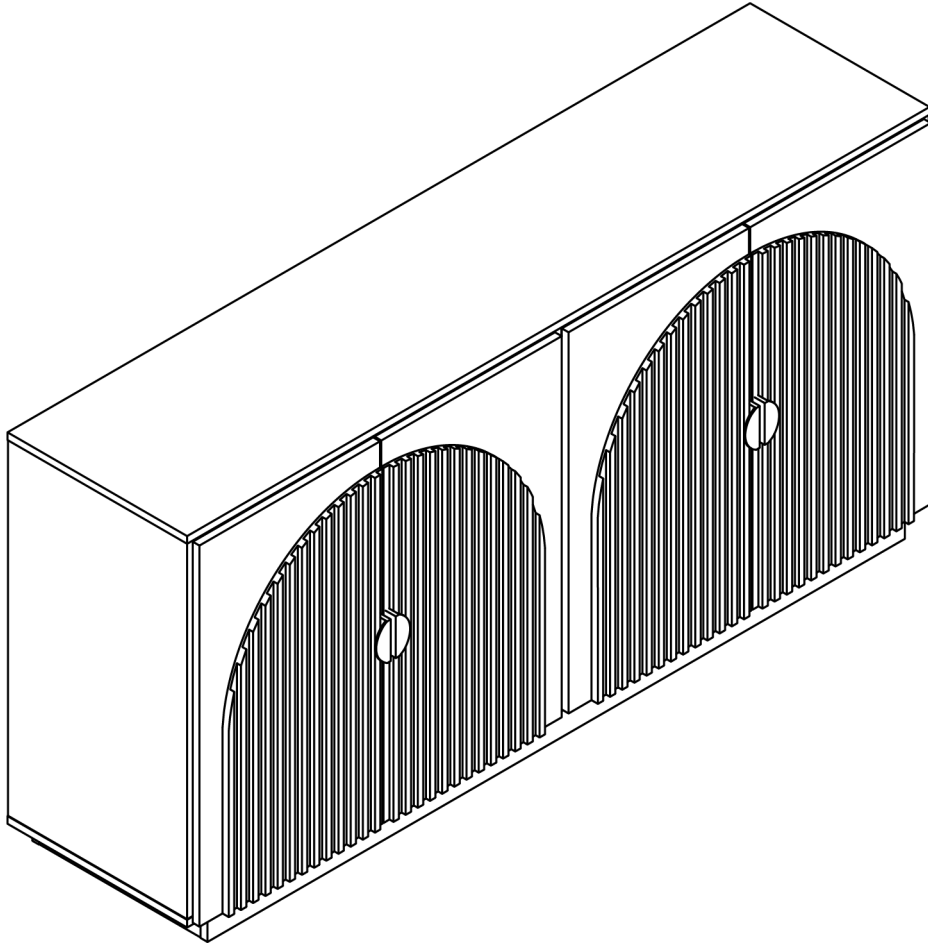


Stacked Sideboard



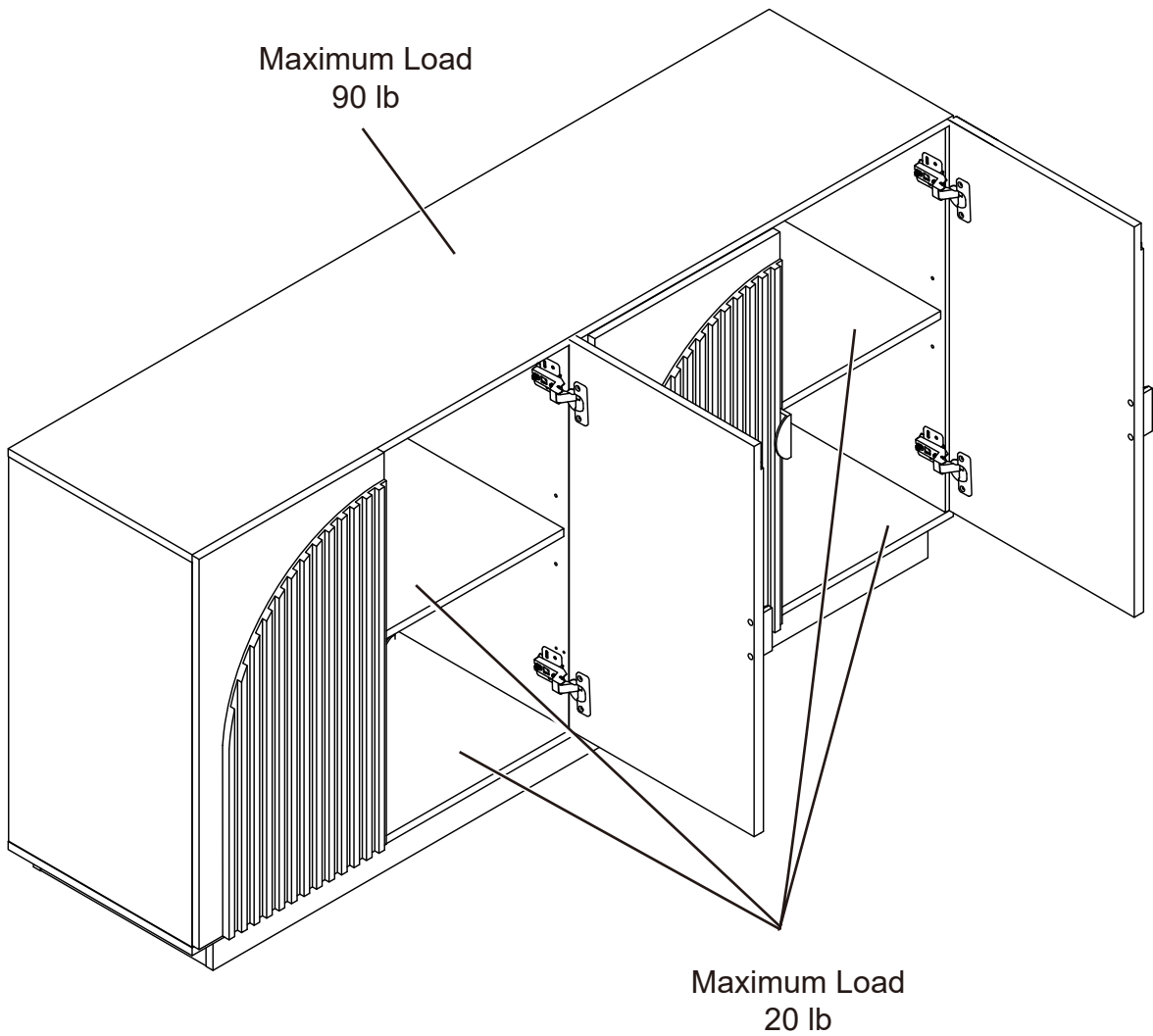


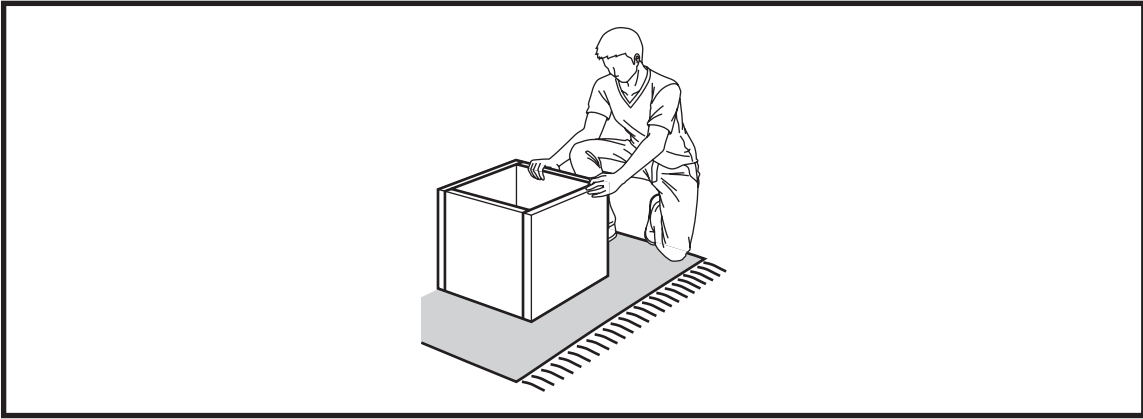
Estimated time for assembly:

90 mins



Weight limitations are as follows:

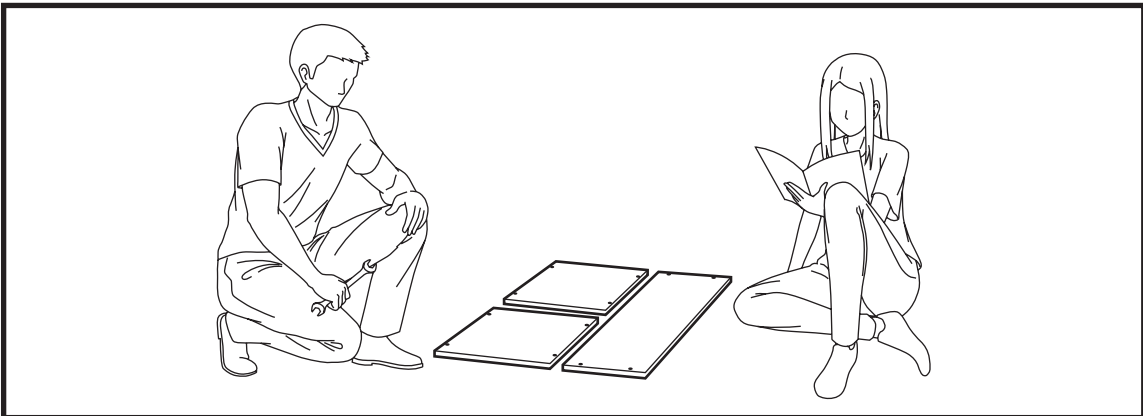




Assemble the furniture on an empty carton, carpet, or rug to prevent scratches or damage.

For safety, please keep pets and children away from the assembly area.

Ensure the product is fully assembled before use. If you are missing any hardware or products, do not use it until you have restored the missing parts.



This furniture requires 2 people for assembly.

Read this instruction manual prior to assembly to familiarize yourself with the various steps.

Lay out all components and hardware separately on a flat surface and make sure that no parts are missing or damaged before assembly. Do not destroy or discard any packaging until you are certain that you have all the necessary parts for assembly.

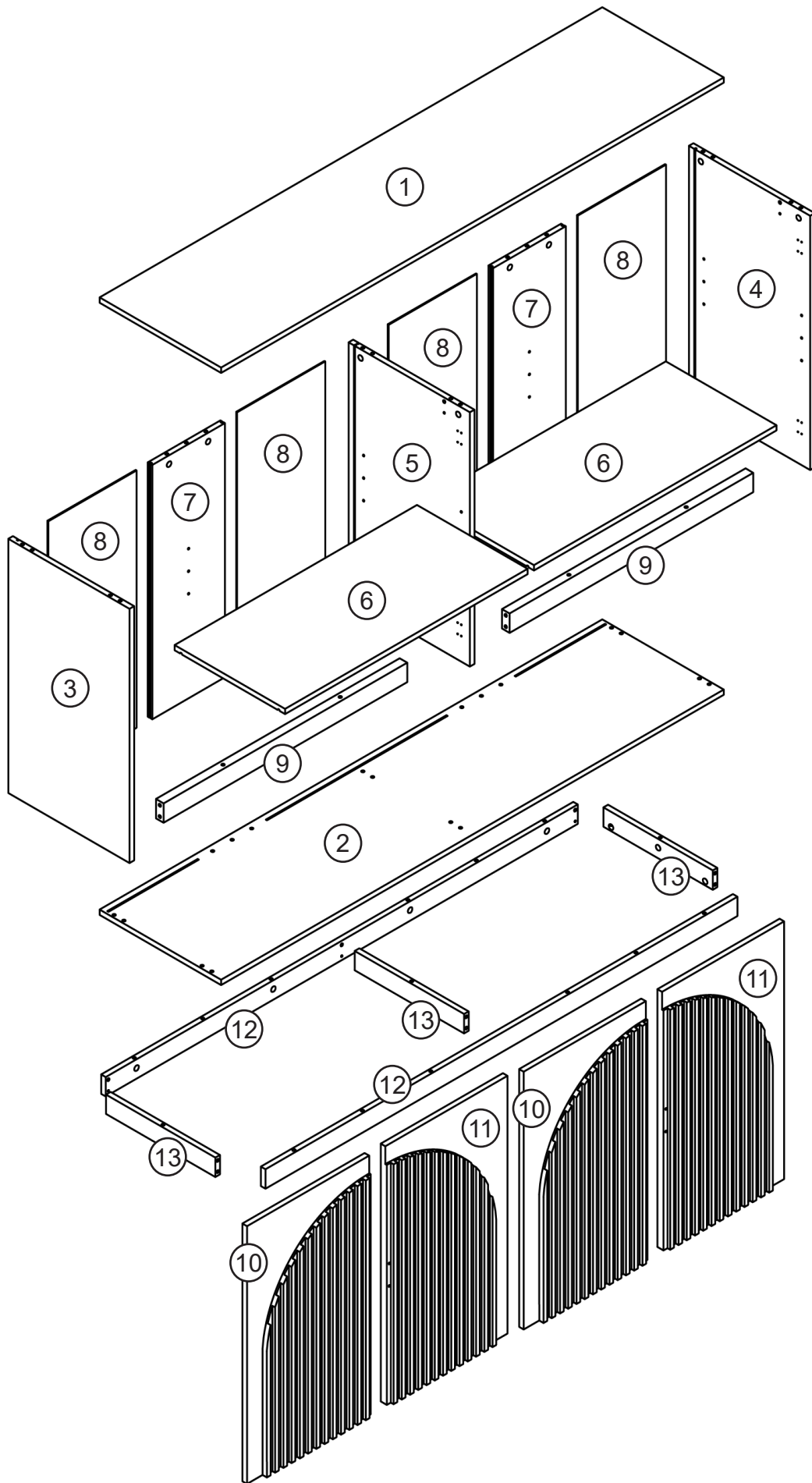
Hand tight all hardware and careful not to over tighten to avoid damaging the product.

CAUTION

There are small components used in the construction of this product. Loose items should be kept away from pets and children to avoid a choking hazard.

Keep all plastic bags and packaging film away from pets and children to avoid suffocation.

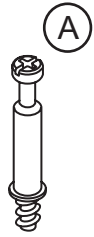
PACKAGE CONTENTS



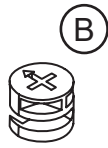
PACKAGE CONTENTS

CODE	DESCRIPTION	QTY
1	Top Panel	1
2	Bottom Panel	1
3	Left Panel	1
4	Right Panel	1
5	Medial Panel	1
6	Storage Shelf Panel	2
7	Back Support	2
8	Back Panel	4
9	Crossbar	2
10	Left Cabinet Door	2
11	Right Cabinet Door	2
12	Long Base Strip	2
13	Short Base Strip	3

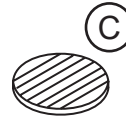
PACKAGE CONTENTS



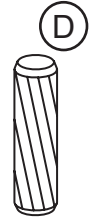
35x + 3x



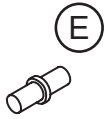
35x + 3x



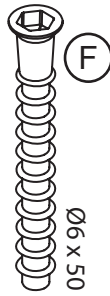
35x + 3x



30x + 3x



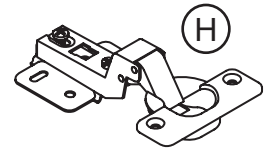
10x + 1x



10x + 1x



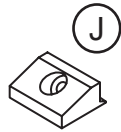
1x



8x



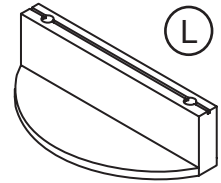
48x + 4x



16x + 2x



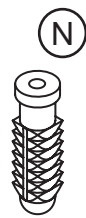
16x + 2x



4x



8x + 1x



2x



2x



2x

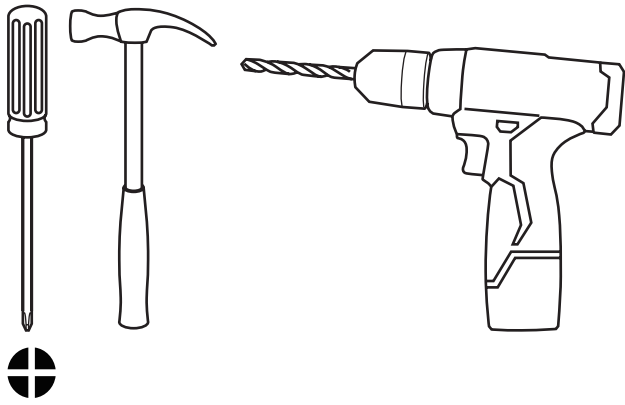


2x



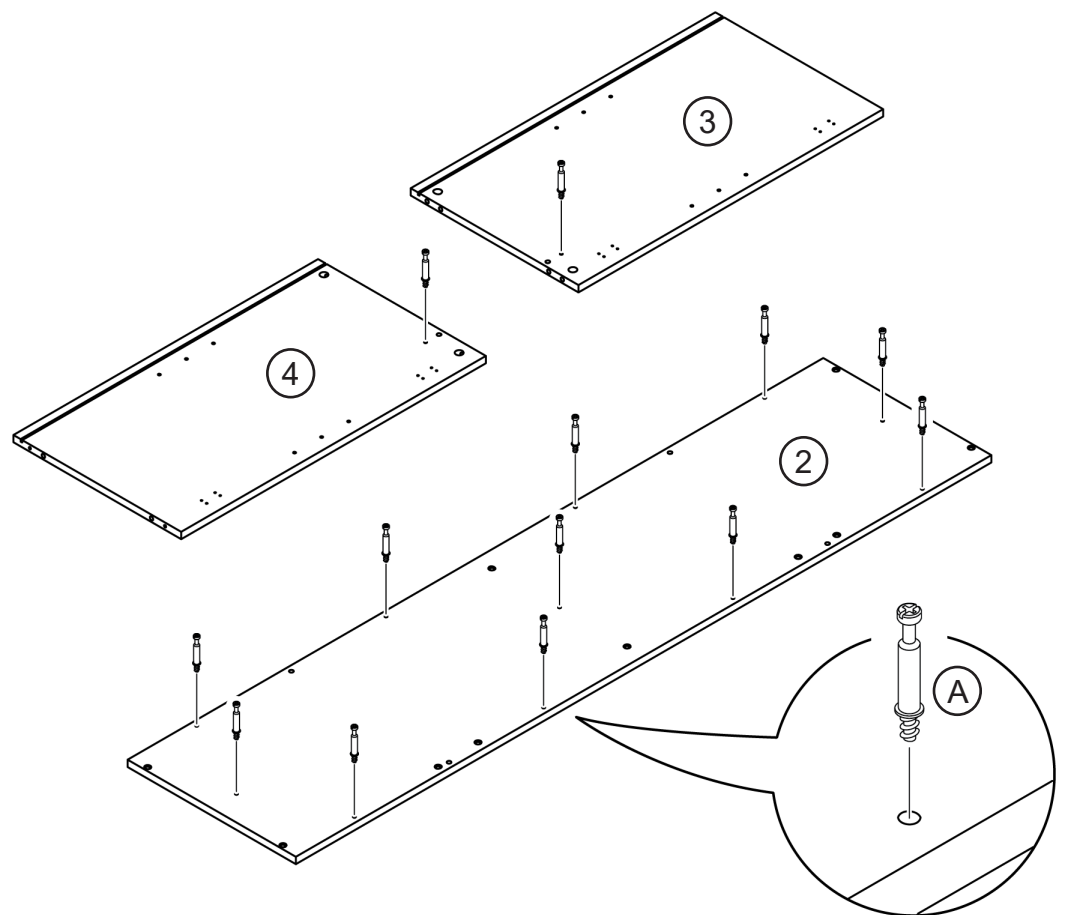
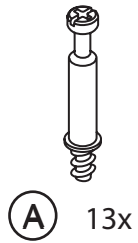
Install all hardware perpendicular to the opening.

Required tools for assembly (Not included)



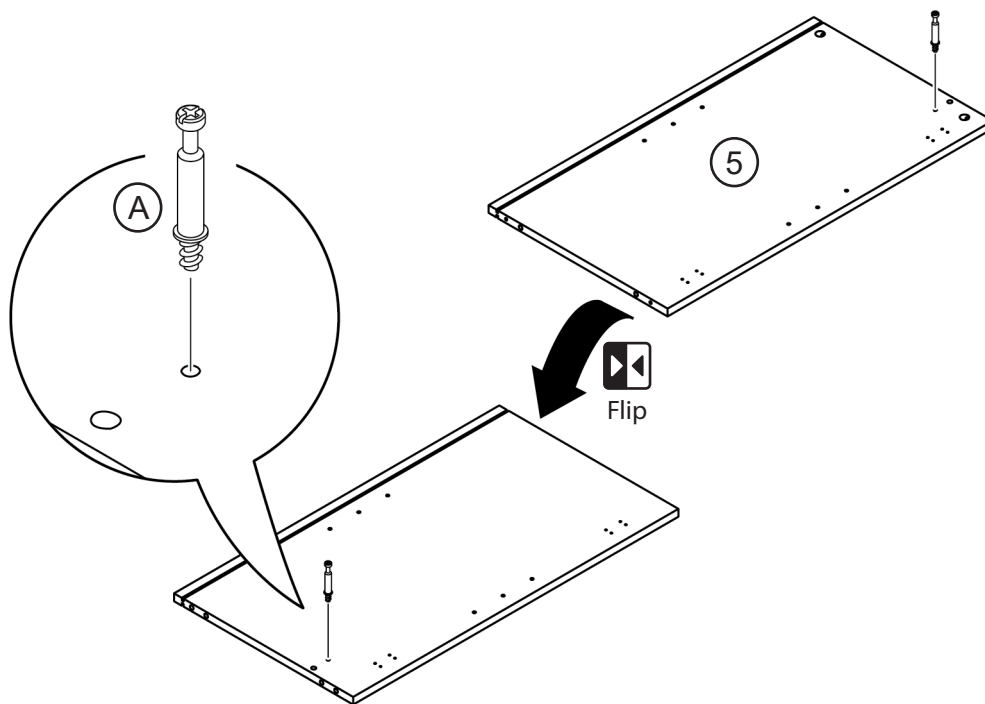
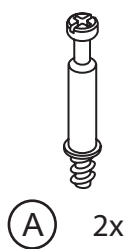
1

Attach cam bolts to the bottom panel (2), left panel (3) and right panel (4).



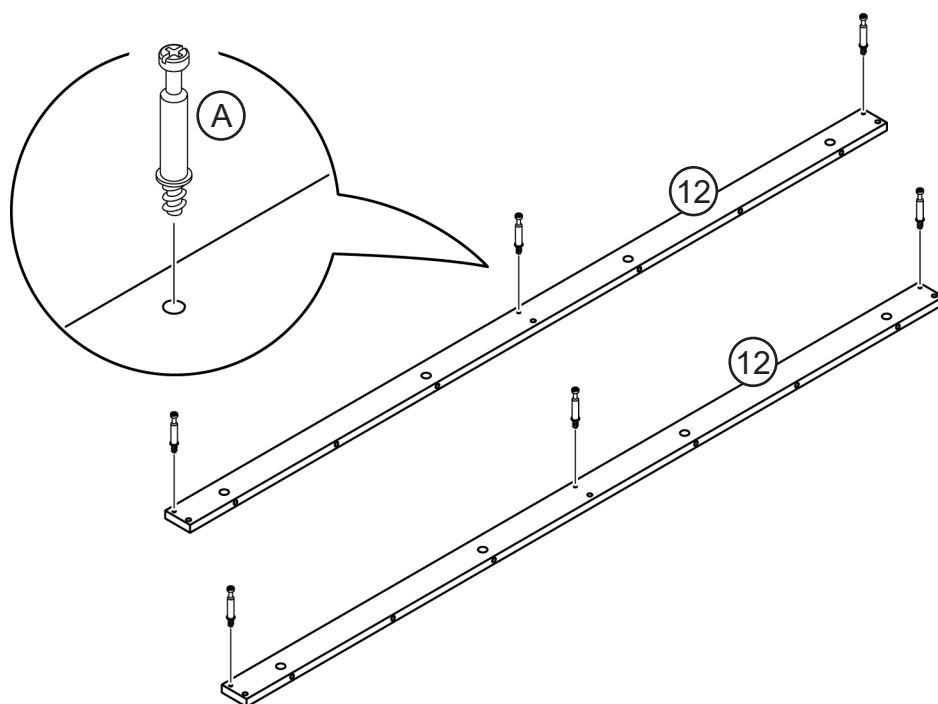
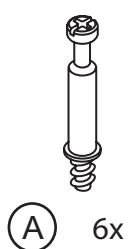
2

Attach cam bolts to both sides of the medial panel (5).



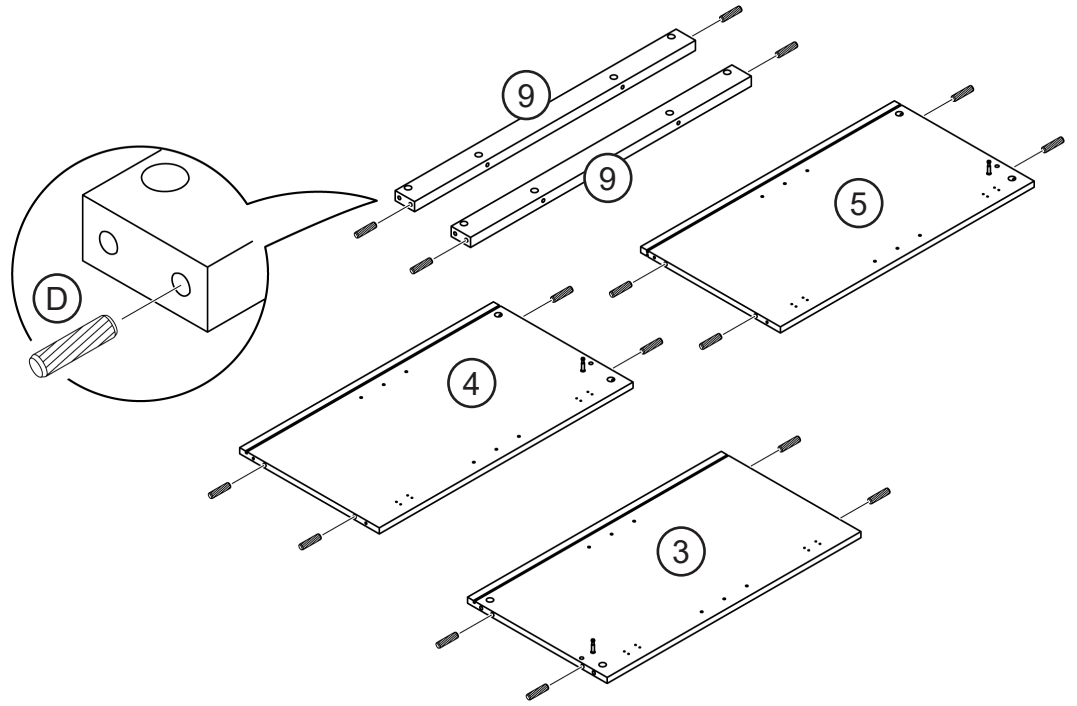
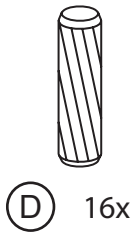
3

Attach cam bolts to long base strips (12).



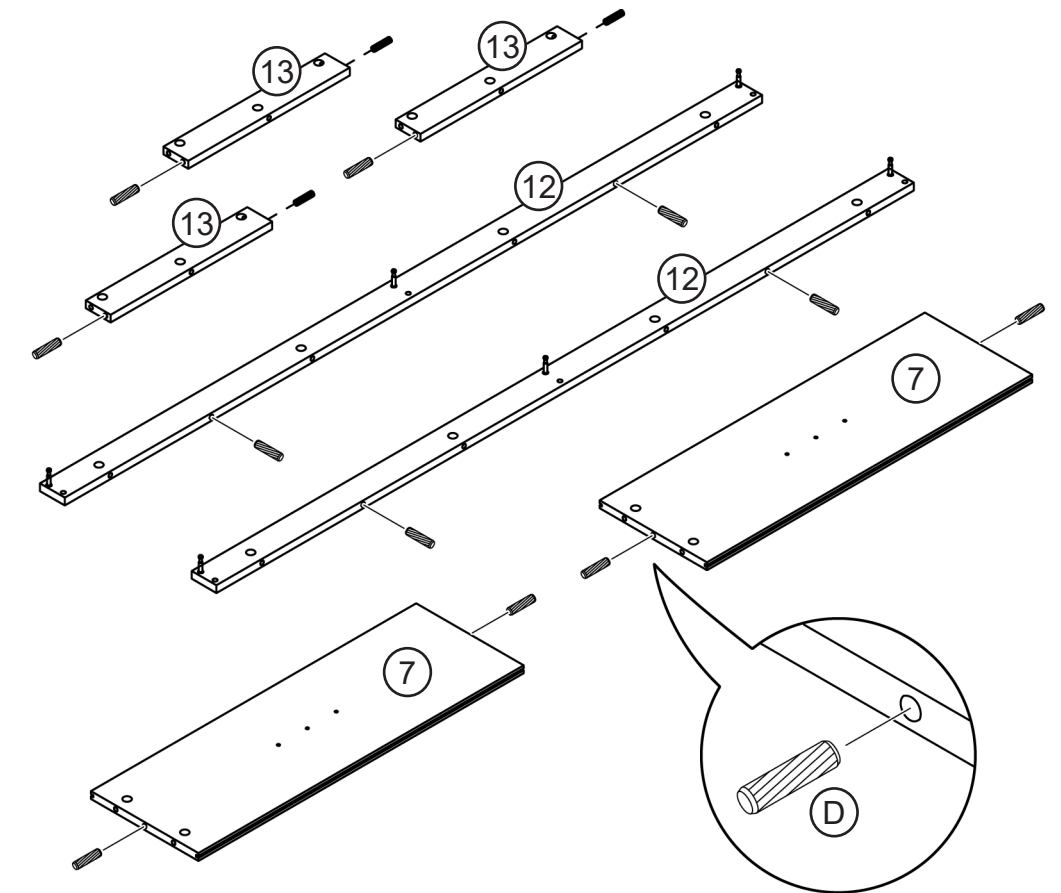
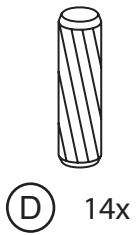
4

Insert wood dowels to the left, medial, right panels, (3, 4, 5) and to the crossbars (9).



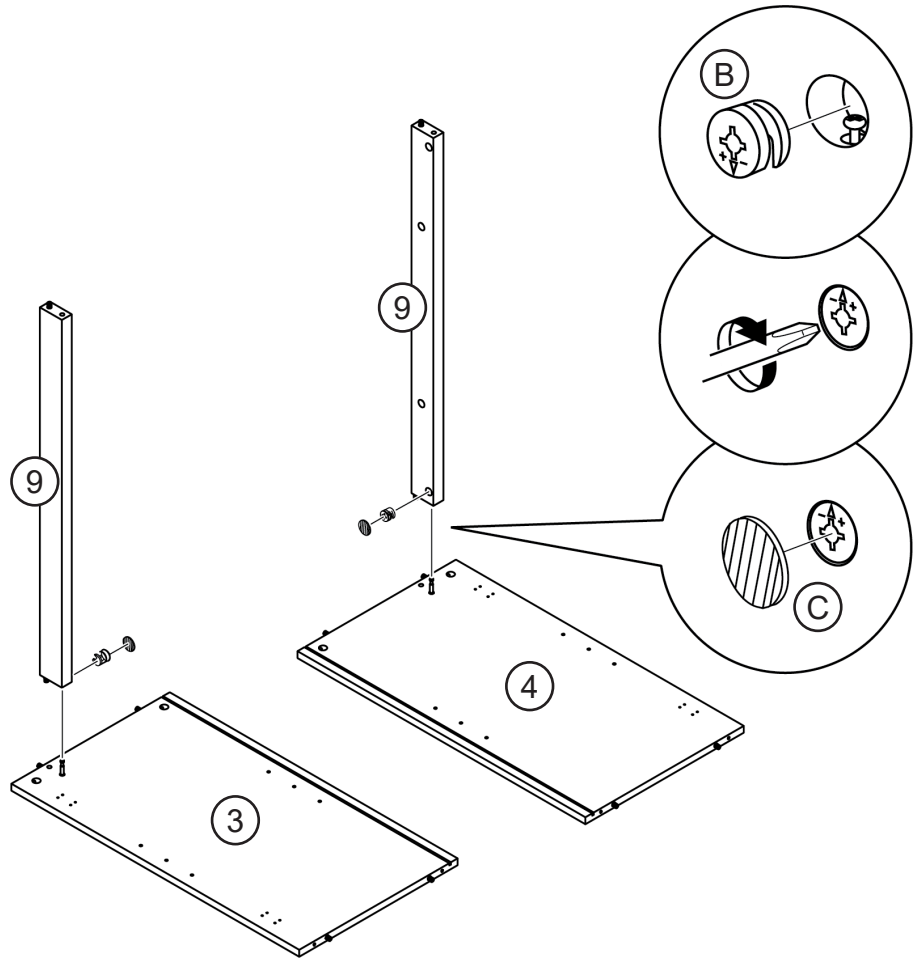
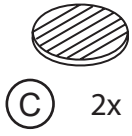
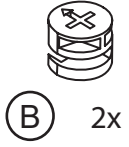
5

Insert wood dowels all the base strips and the back supports (7, 12, 13).



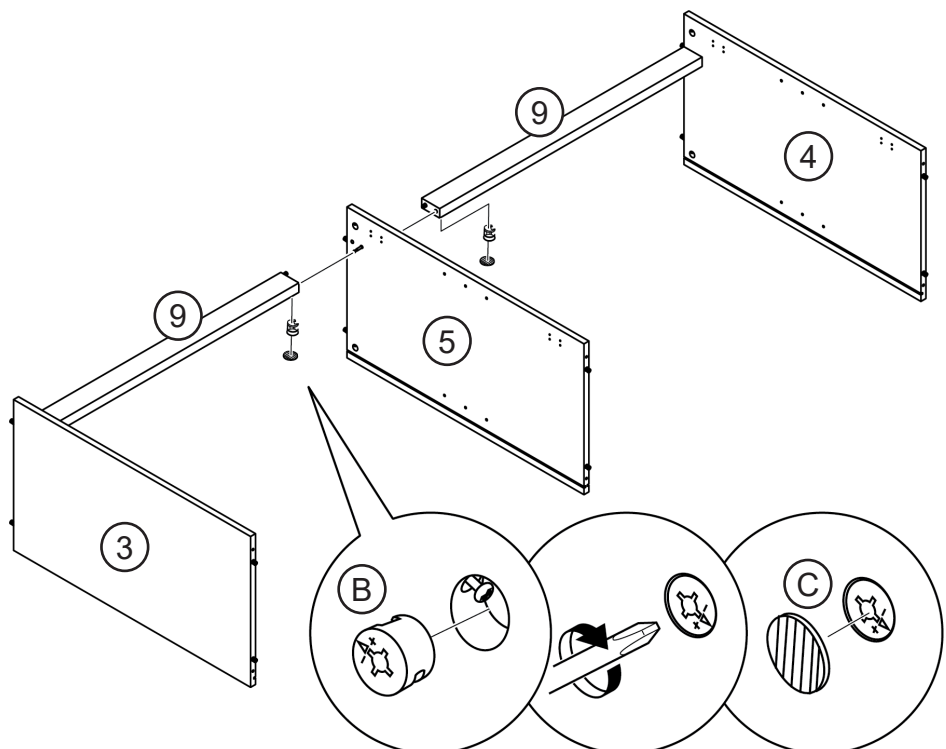
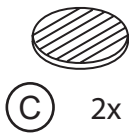
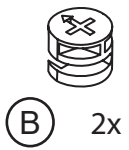
6

Assemble crossbars (9) to the left and right panels (3, 4).



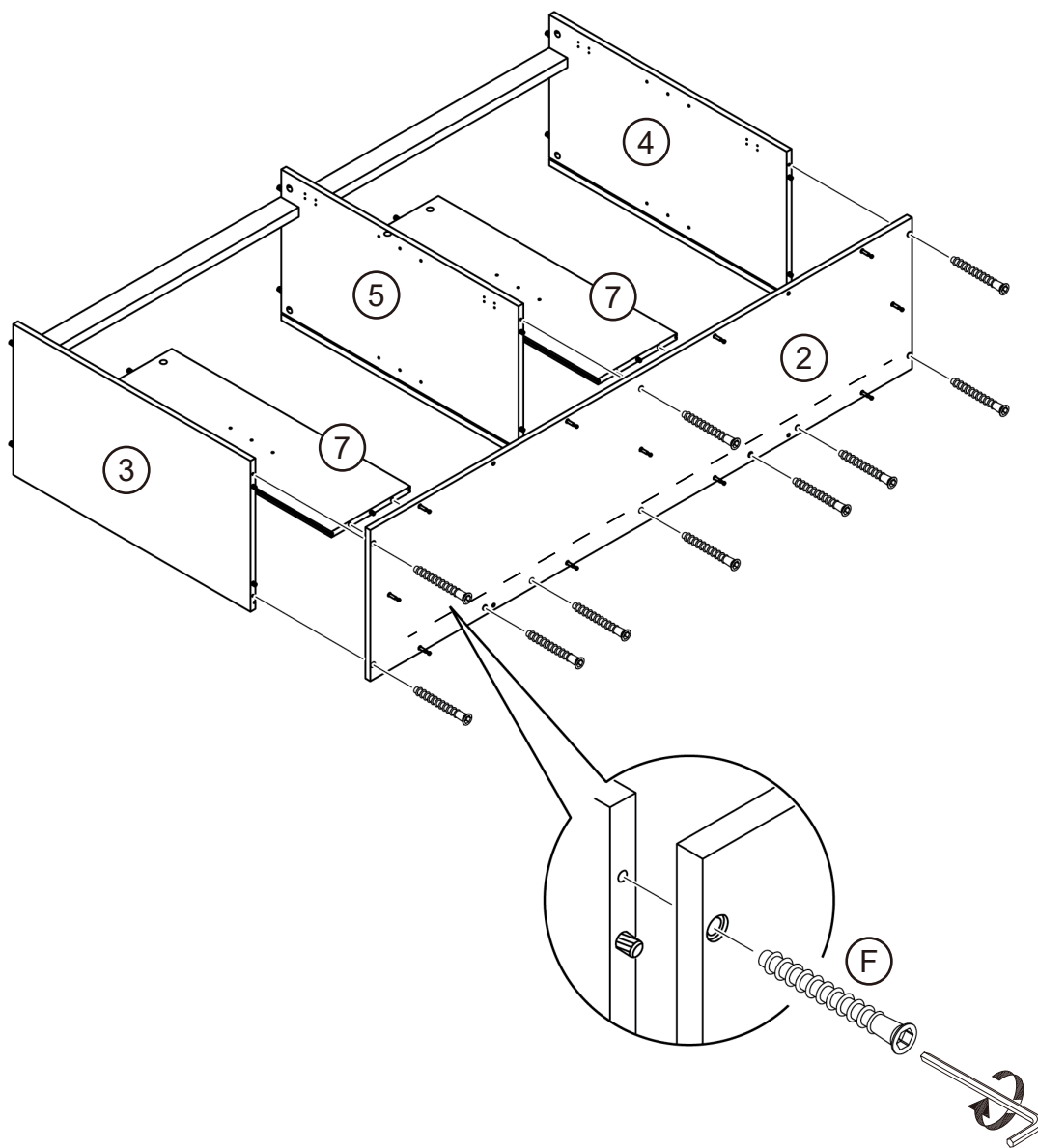
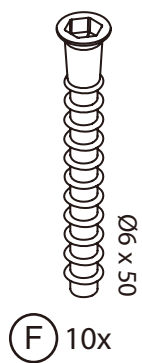
7

Assemble the medial panel (5) between the two crossbars (9).



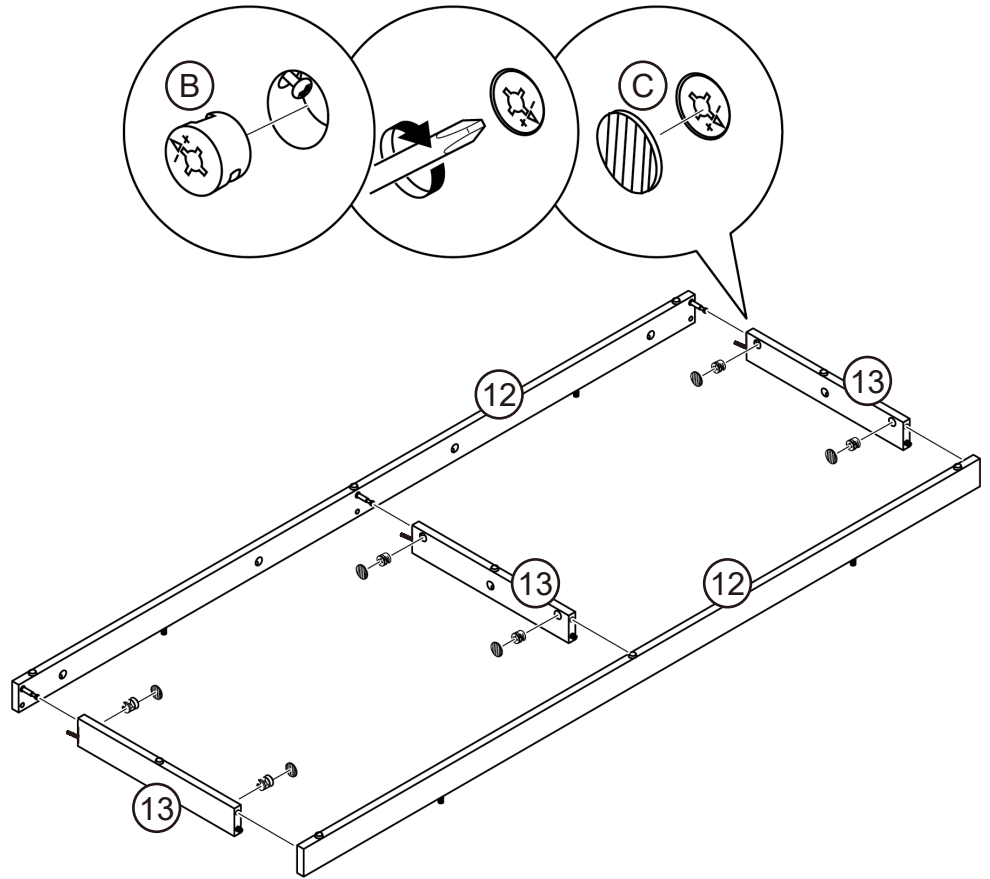
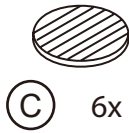
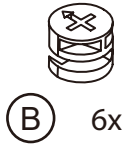
8

Assemble the left panel (3), medial panel (5), right panel (4), and back supports (7) to the bottom panel (2).



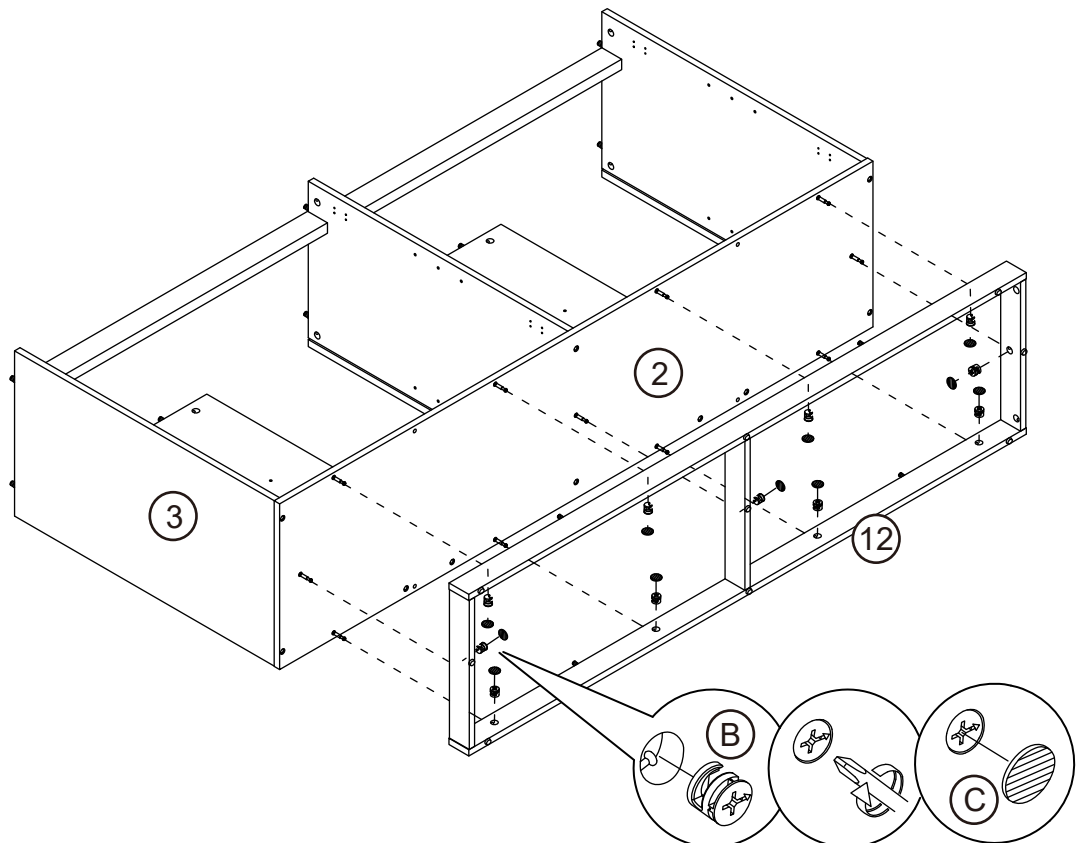
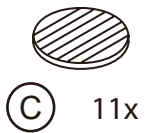
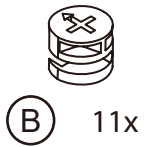
9

Assemble short base strips (13) between the two long base strips (12).



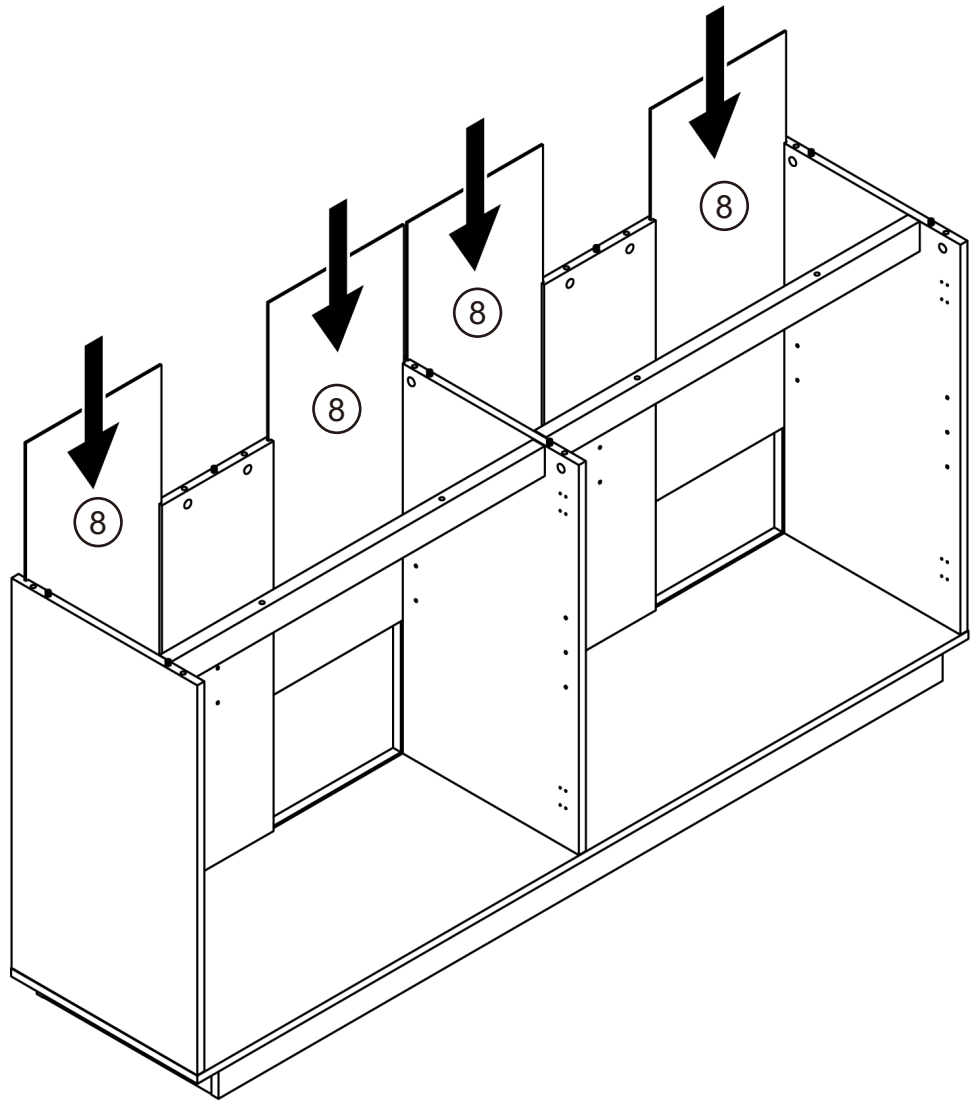
10

Assemble the base assembly to the underside of the bottom panel (2).



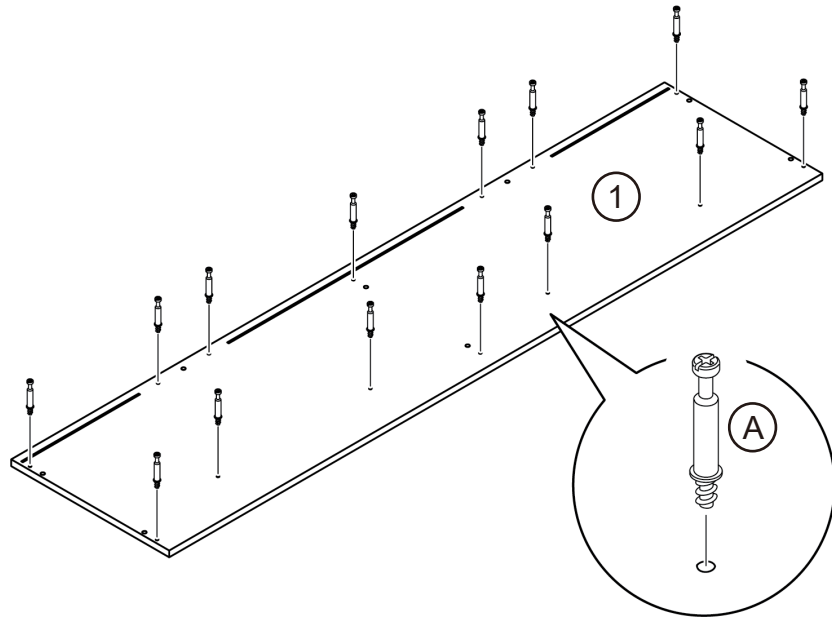
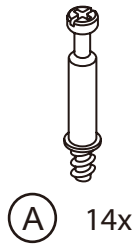
11

Slide back panels (8) to the sideboard assembly.



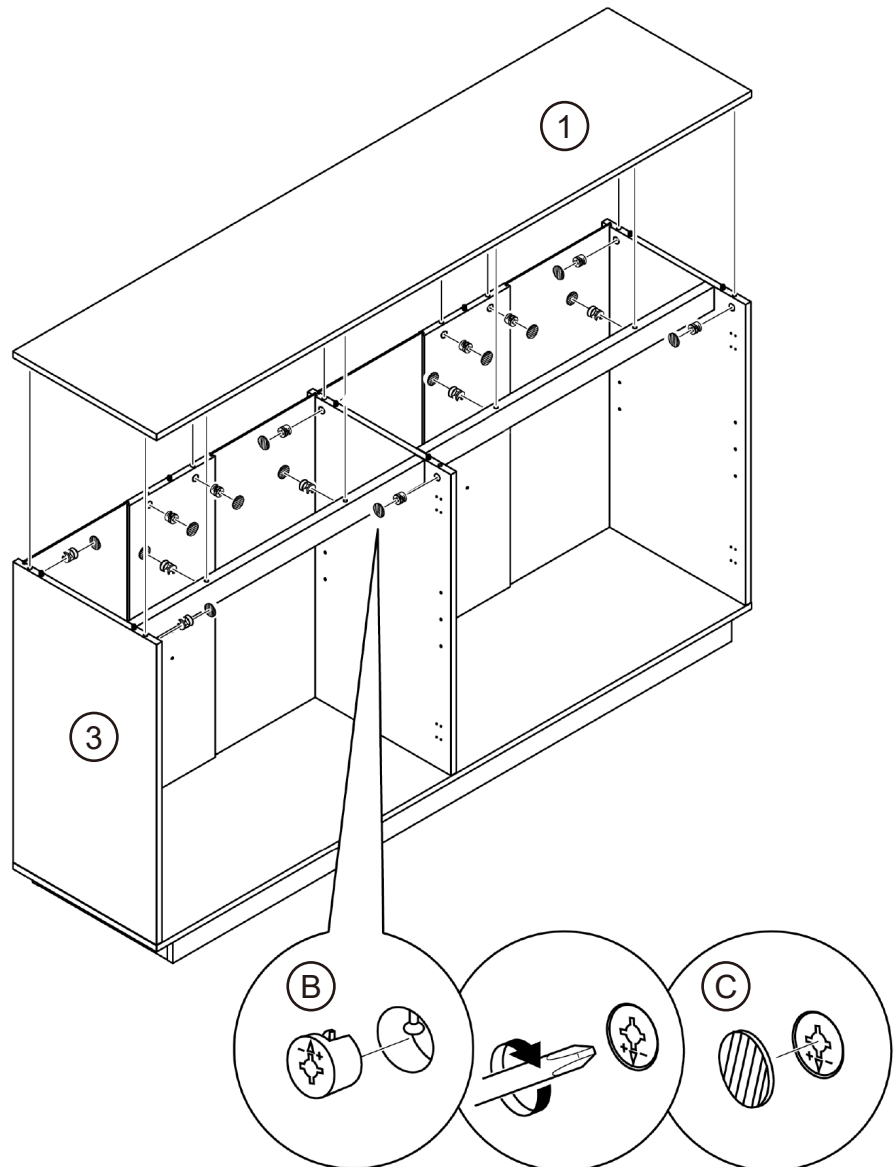
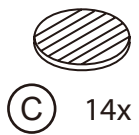
12

Attach cam bolts to the bottom side of the top panel (1).



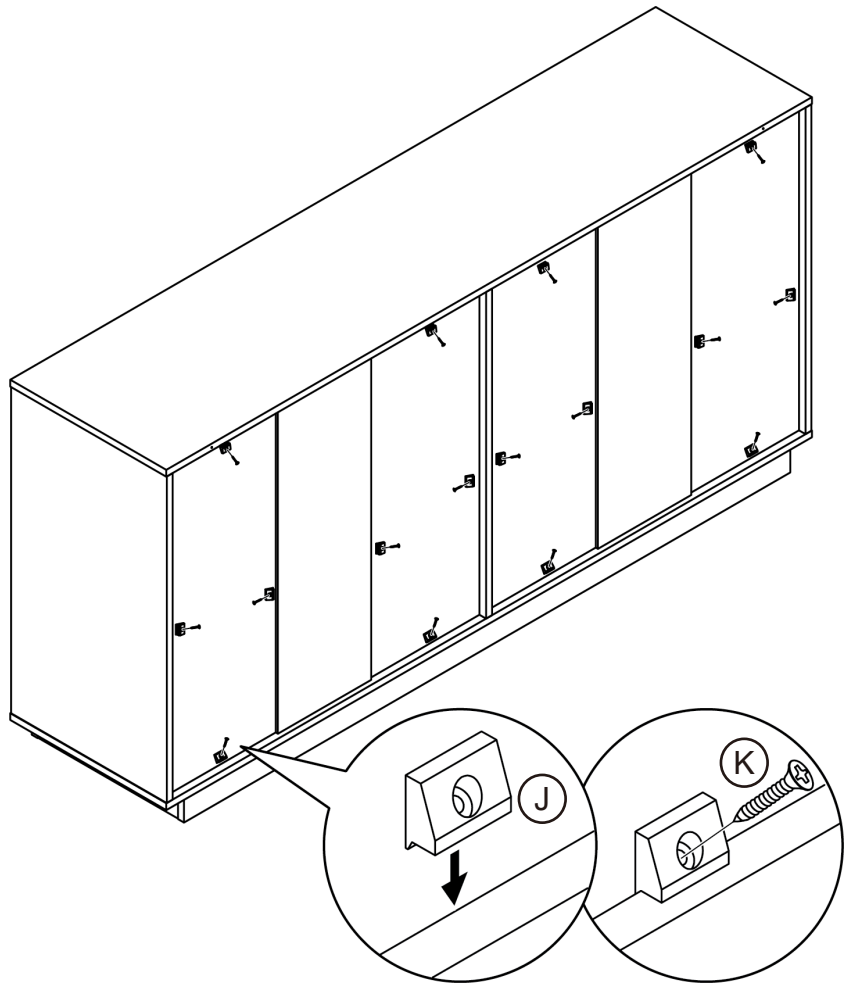
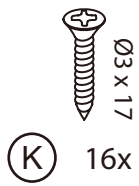
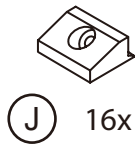
13

Assemble the top panel (1) on top of the sideboard assembly.



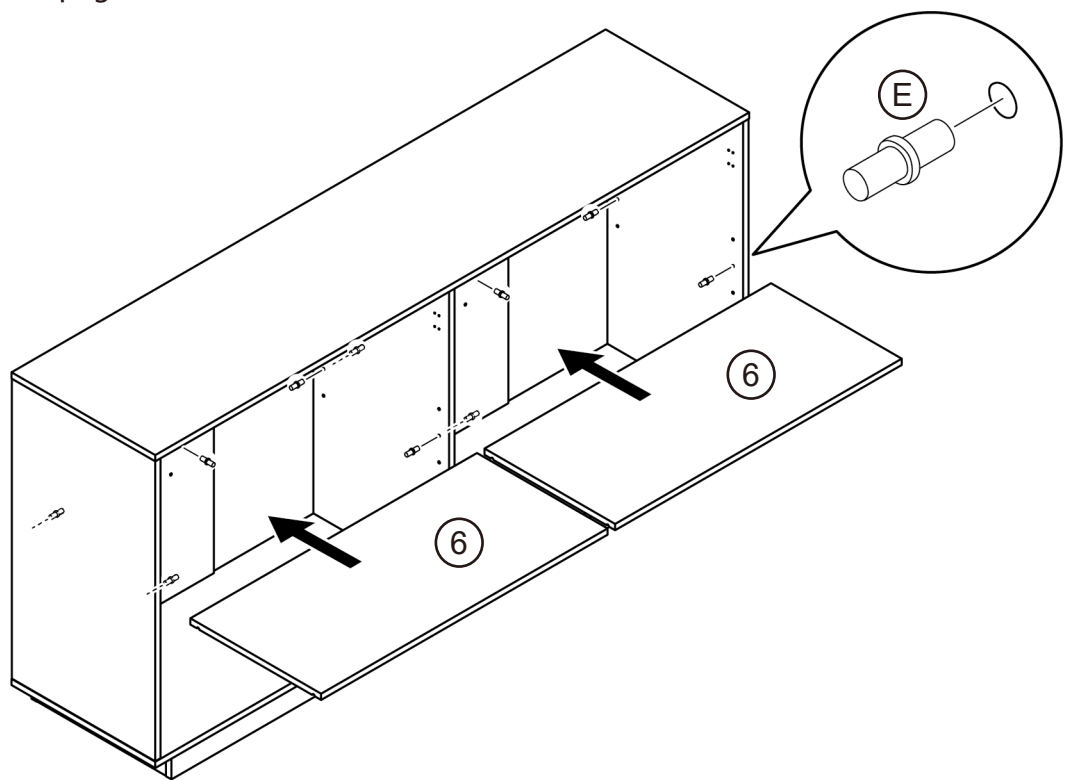
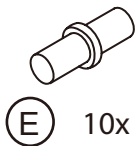
14

Secure all the back panels in place.



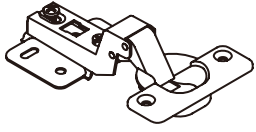
15

Insert shelf pegs into the sideboard and place storage shelf panels (6) on top of the pegs.



16

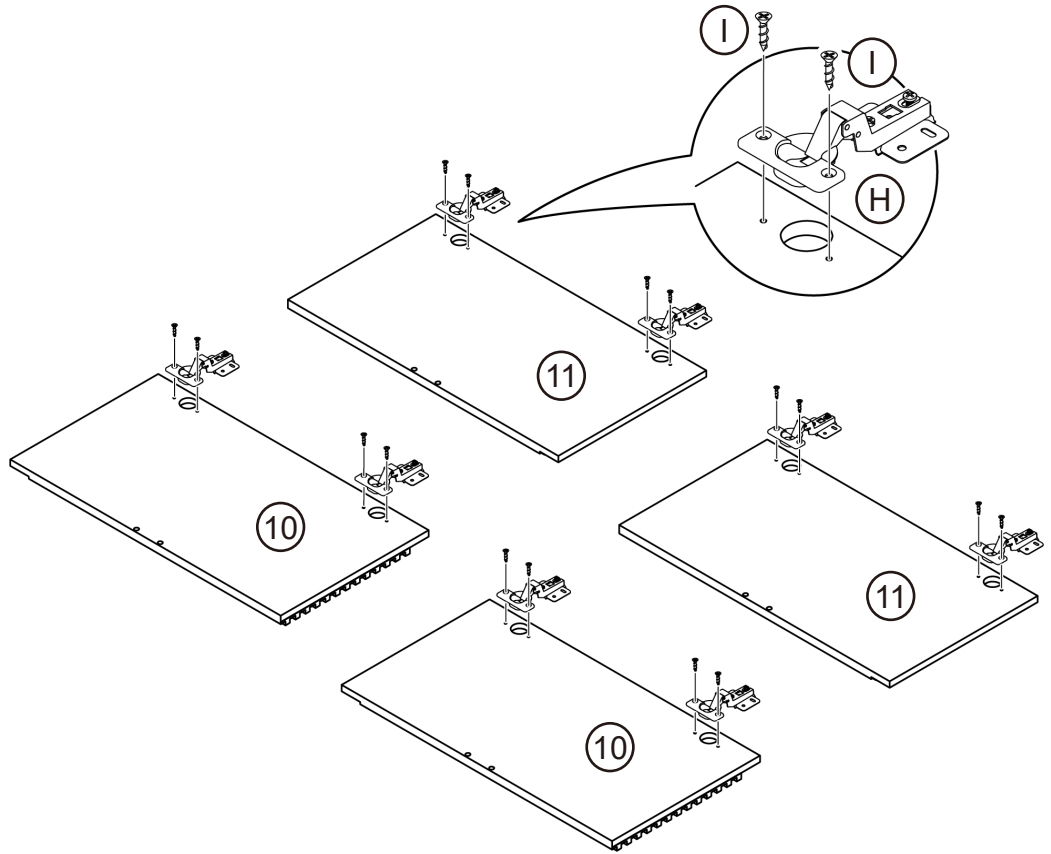
Attach door hinges to all the cabinet doors (10, 11).



(H) 8x

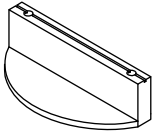


(I) 16x



17

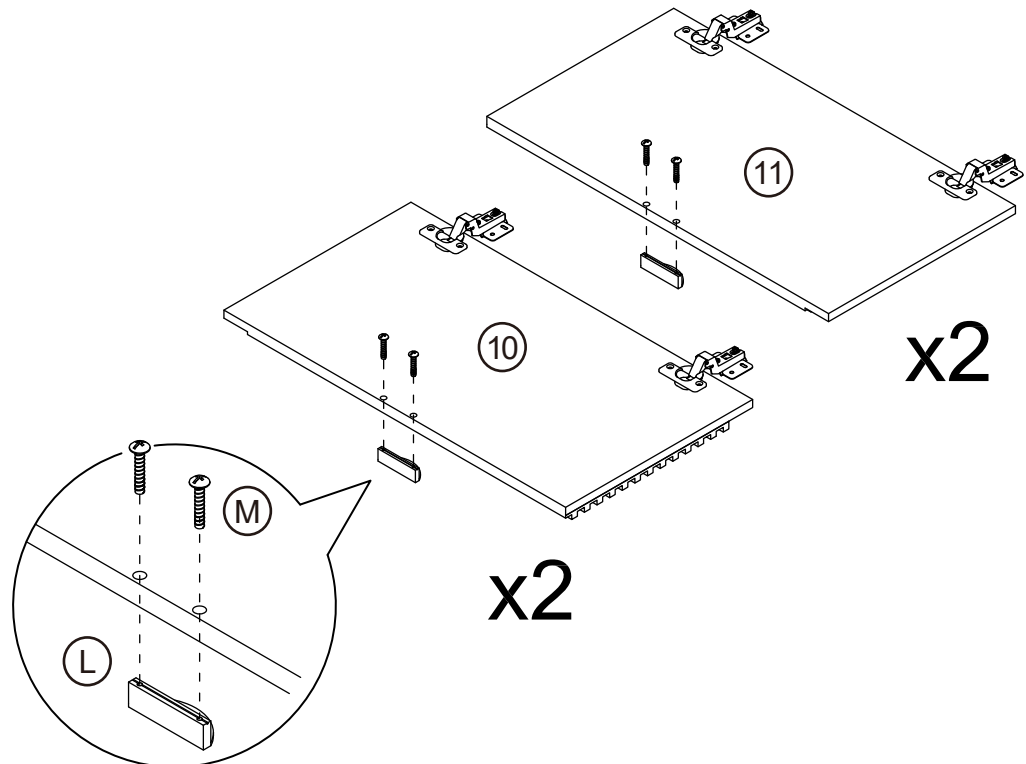
Attach door handle to all the cabinet doors (10, 11).



(L) 4x

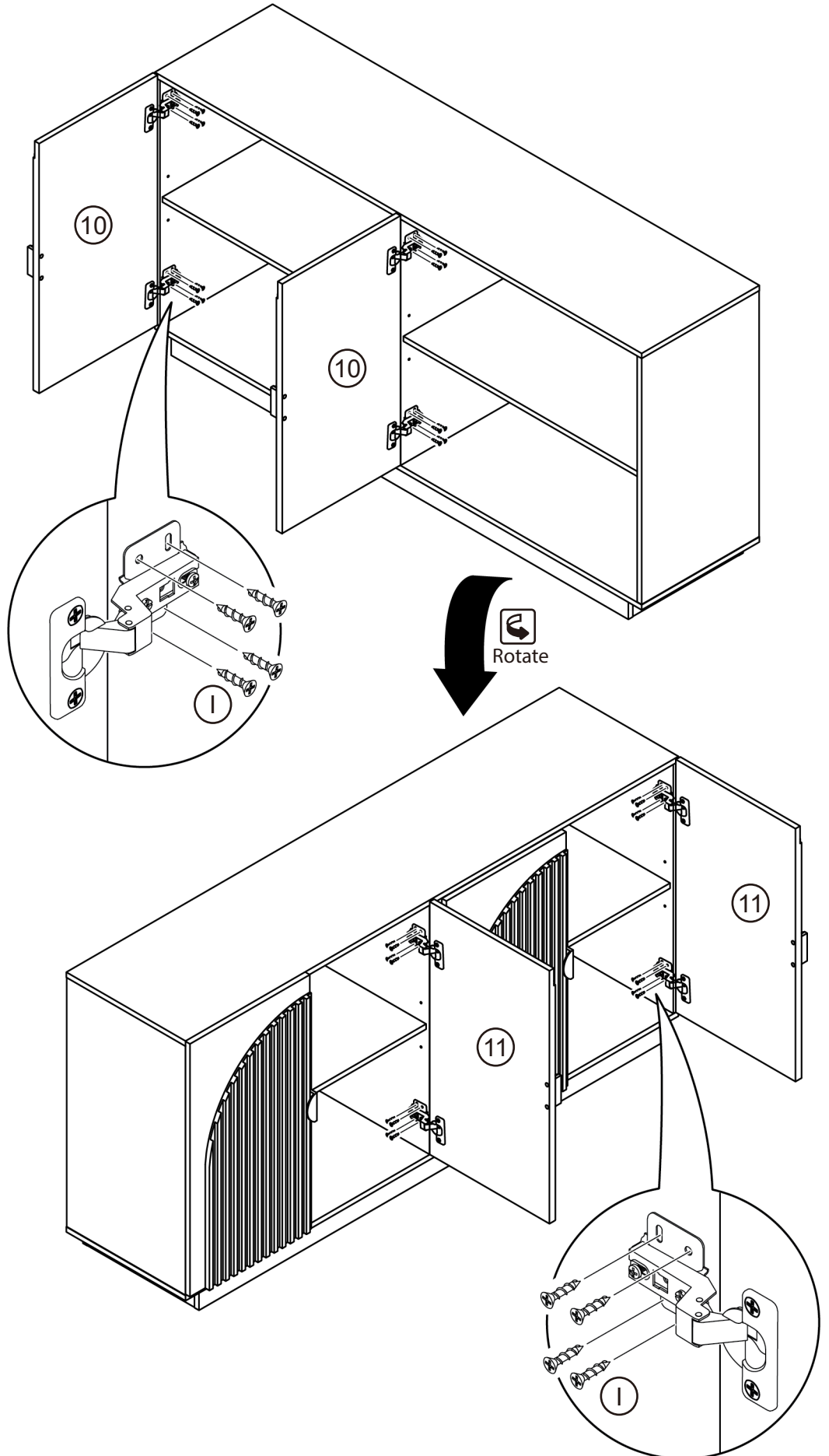
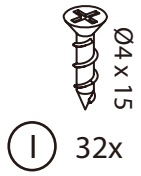


(M) 8x

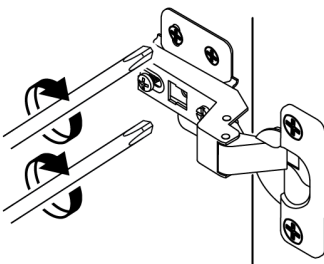
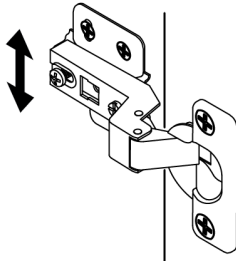
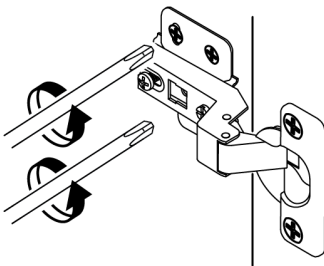
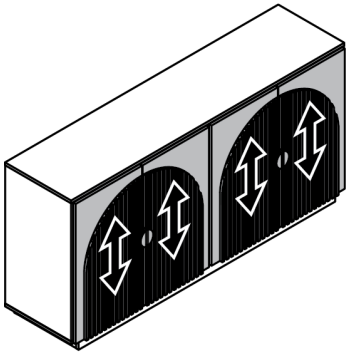


18

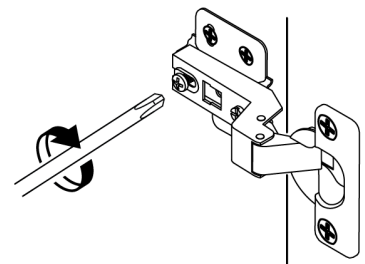
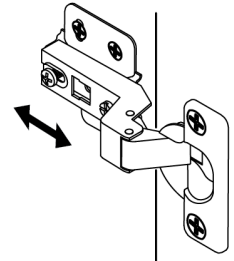
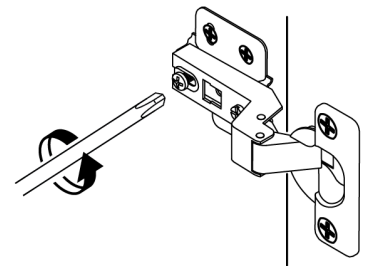
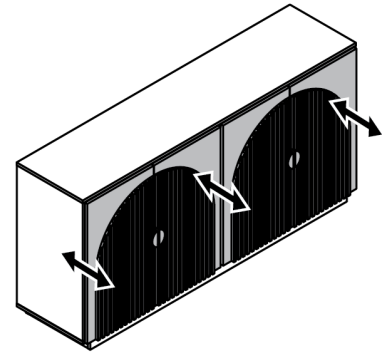
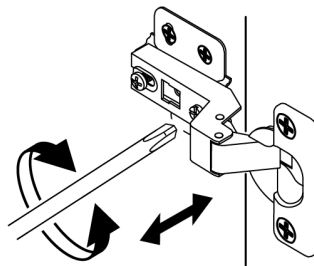
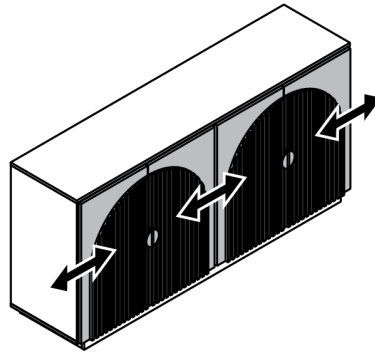
Attach cabinet doors (10, 11) to the sideboard.



When the clearance of the door is uneven, Adjust the cabinet door according to the figure. If you still have trouble while adjusting the door, please contact us.



Up and down adjustment by loosening the screws on the mounting plate.

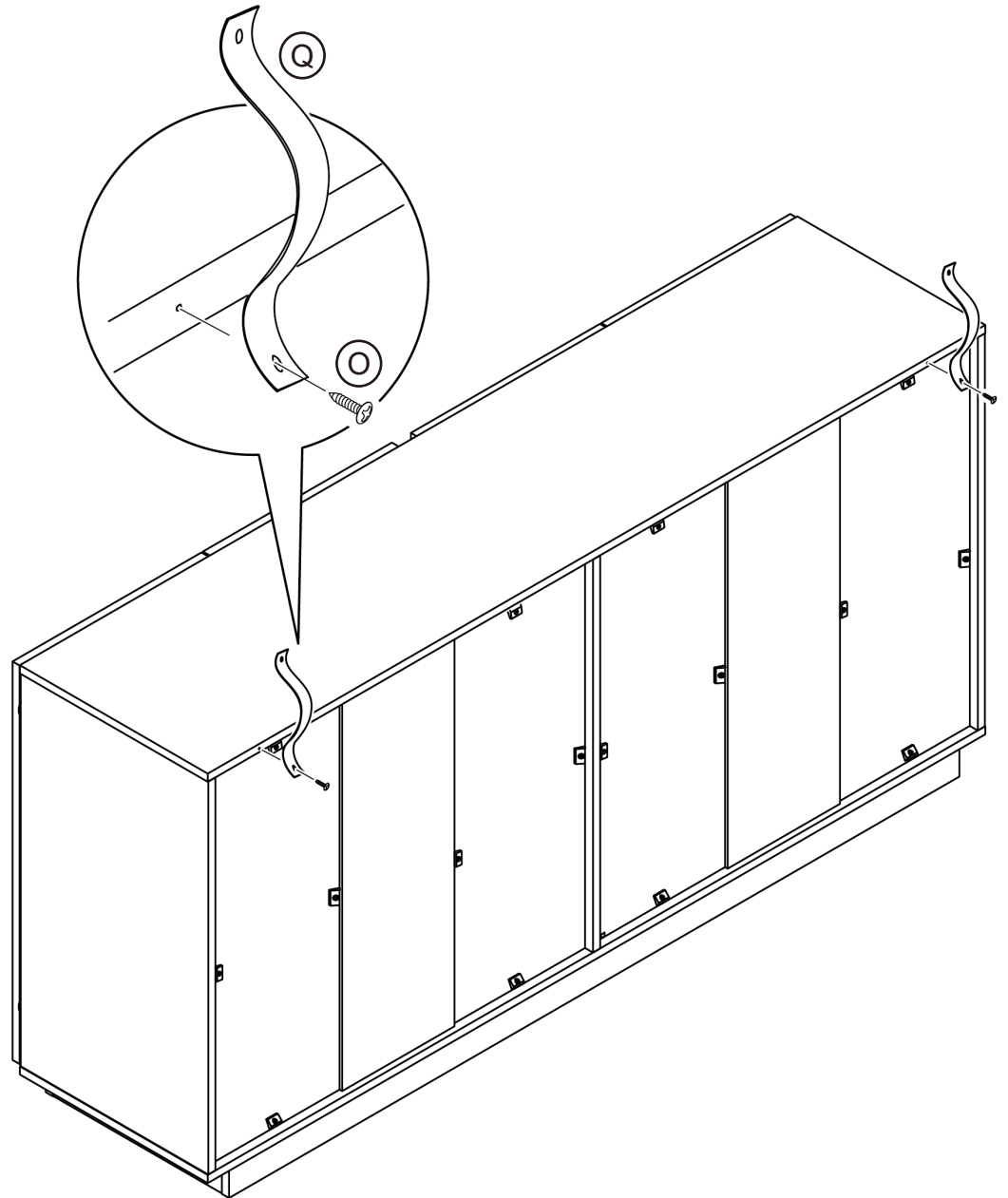
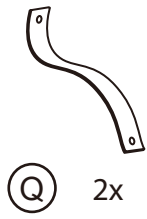
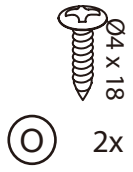


Side to side adjustment using the front adjustment screw on the hinge.

In and out adjustment by loosening the screws on the hinge arm.

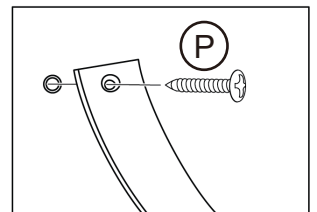
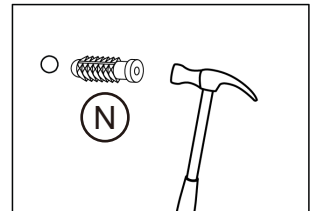
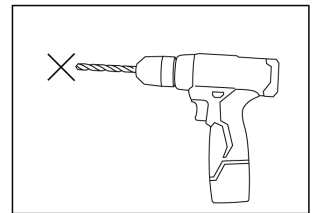
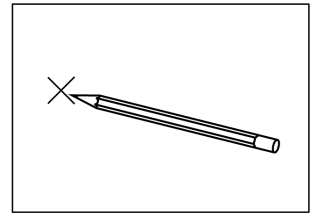
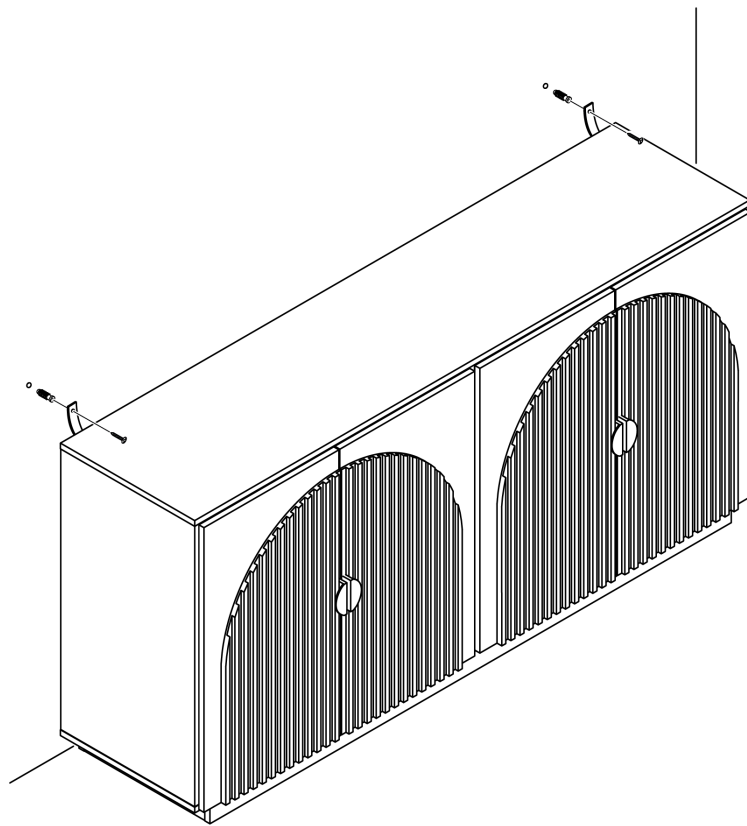
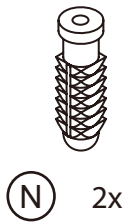
19

Attach anti-tipping straps to the back of the sideboard.



20

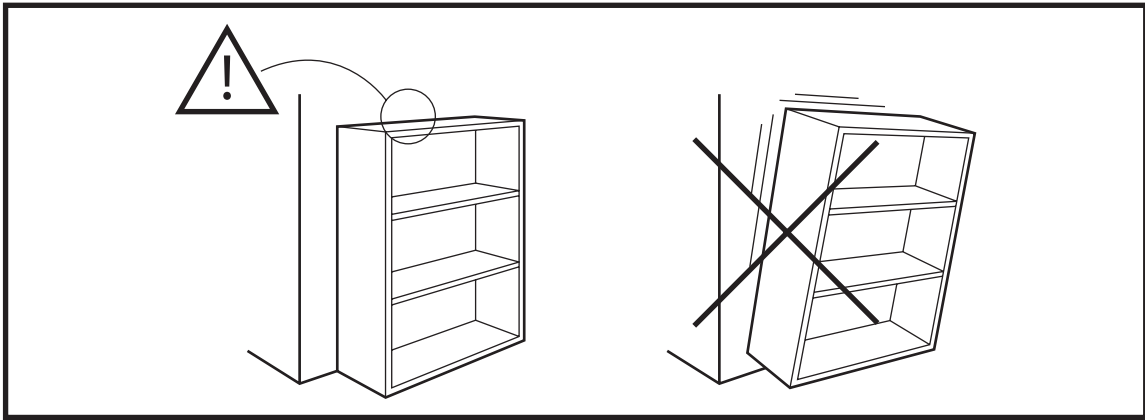
Affix the sideboard to a wall.



Furniture must permanently fixed to the wall stud with included anti-tipping device to prevent the furniture from tipping over.

- Mark the drill position on the wall with a pencil.
- Drill a small hole on the marked position.
- Insert a wall anchor into the drilled hole.
- Fixed the anti-tipping strap to the wall with provided screws.

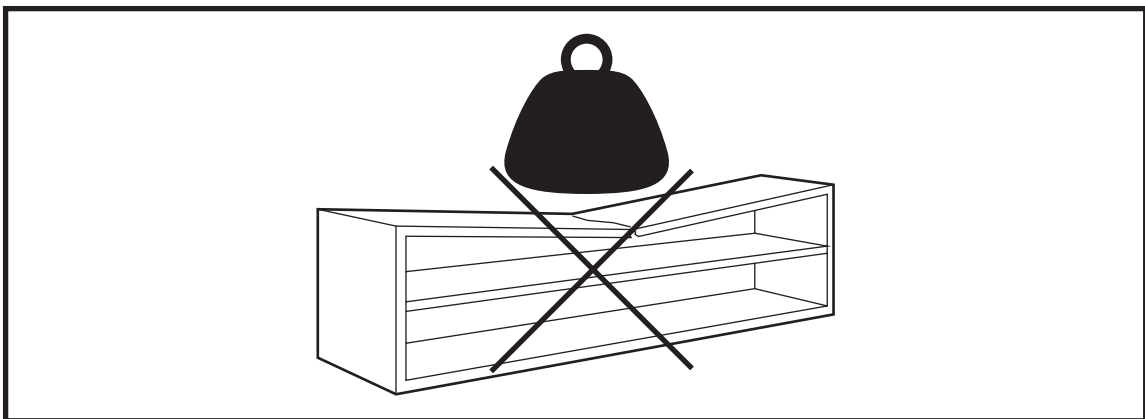
YOU'RE FINISHED!



Warning

Serious or fatal crushing injuries may occur if the furniture tip-over. Furniture must permanently affixed to the wall with included anti-tipping device in order to prevent the furniture from tipping over.

Different wall materials requires different types of wall anchors or screws. Use a suitable wall anchors or screws for your specific wall in order to secure the stability and load bearing capacity of the furniture. If you are uncertain about which type of device to use, please contact us or your local hardware store.



Warning

Only place items on top of the product if they meet the recommended size and weight limits.

Climbing on, stepping on, or placing overweighted objects on the product may cause property damage and/or injuries.

Items placed onto this product must be resting on a support surface without hanging over the edges.

Thank you for your purchase. We want your item to last as long as possible. To ensure the product gives you years of longevity, please follow the recommendations in this care and maintenance guide.



MAINTENANCE

- Tighten all bolts and screws again within the first 2 weeks of assembly.
- Check the tightness of all bolts every 2 months and tighten them if necessary.



CLEANING

- Clean the surface of the MDF (medium - density fiberboard) with a lightly dampened cloth.
- A small amount of mild soap can be used if necessary.
- Dry the surface immediately after cleaning.

 DO NOT use bleach or alcohol to clean the surface.

 DO NOT apply wood treatment on parts made with MDF.

MDF will swell and distort when exposed to water damage. Make sure to dry the furniture immediately after cleaning.

WARNING

The manufacturer and seller are not responsible for any and all liability relating to personal injury, property damage or losses, whether direct, indirect, or incidental, resulting from the incorrect attachment, improper use, inadequate maintenance, unapproved modification or neglect of this product.