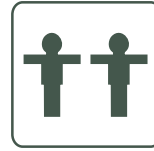
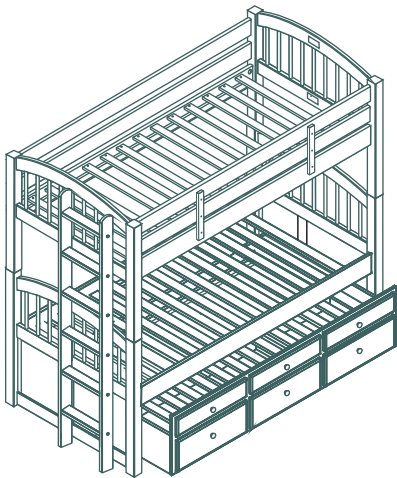


ASSEMBLY INSTRUCTION

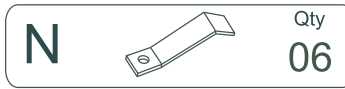
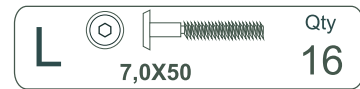
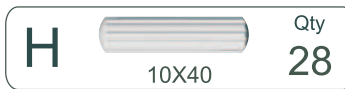
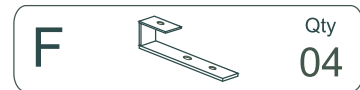
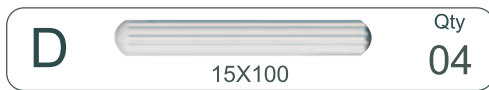
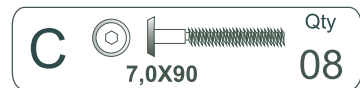
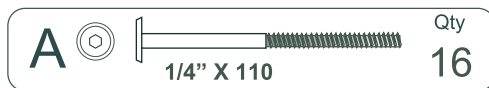


Tools Required

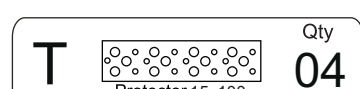
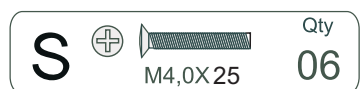
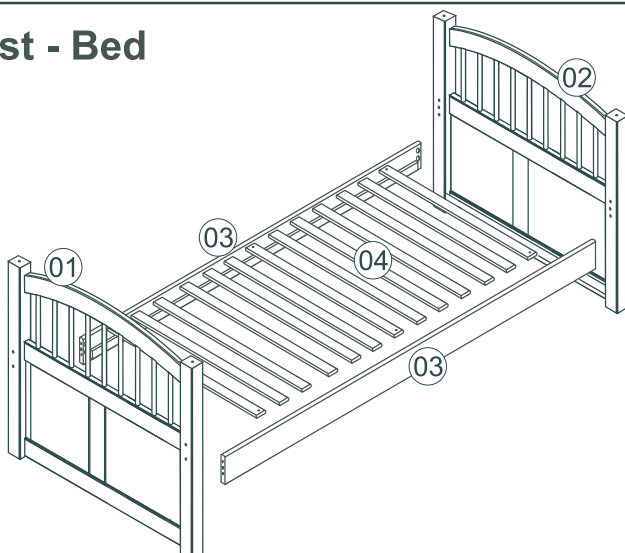


(Not included)

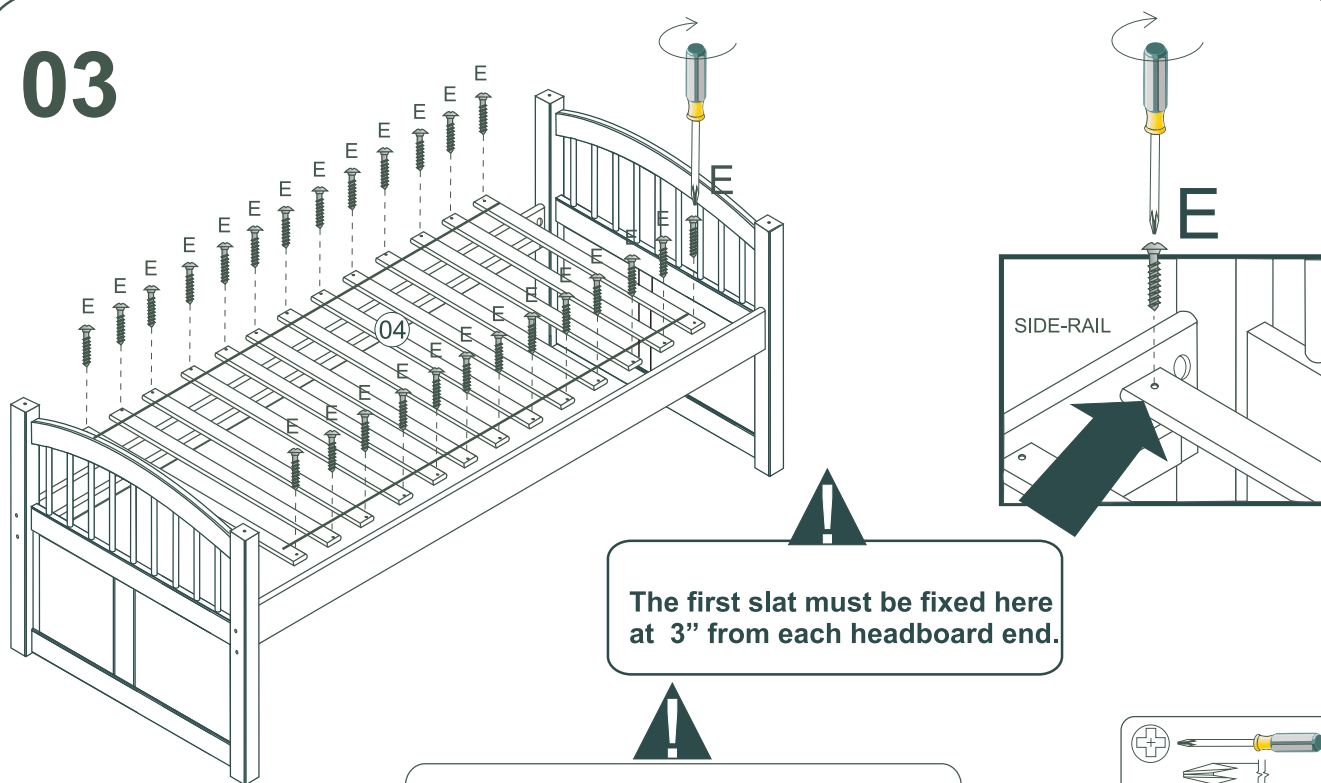
Identifying the Hardware/part list- Identify the hardware using the illustrations below.



Part List - Bed

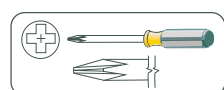


03



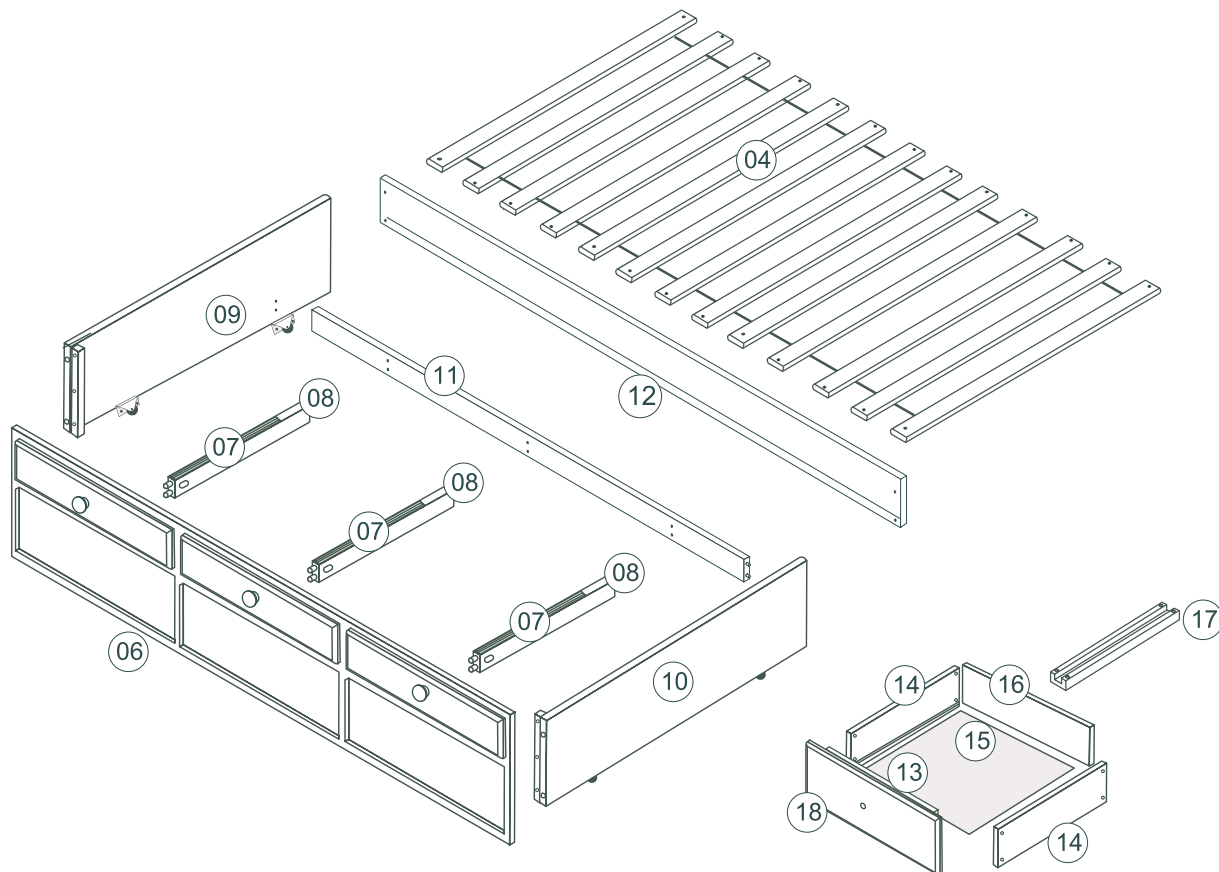
The first slat must be fixed here at 3" from each headboard end.

INSTALL SLAT KIT WITH SPACER TAPE ON TOP (FACING UP).



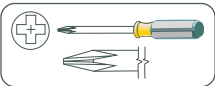
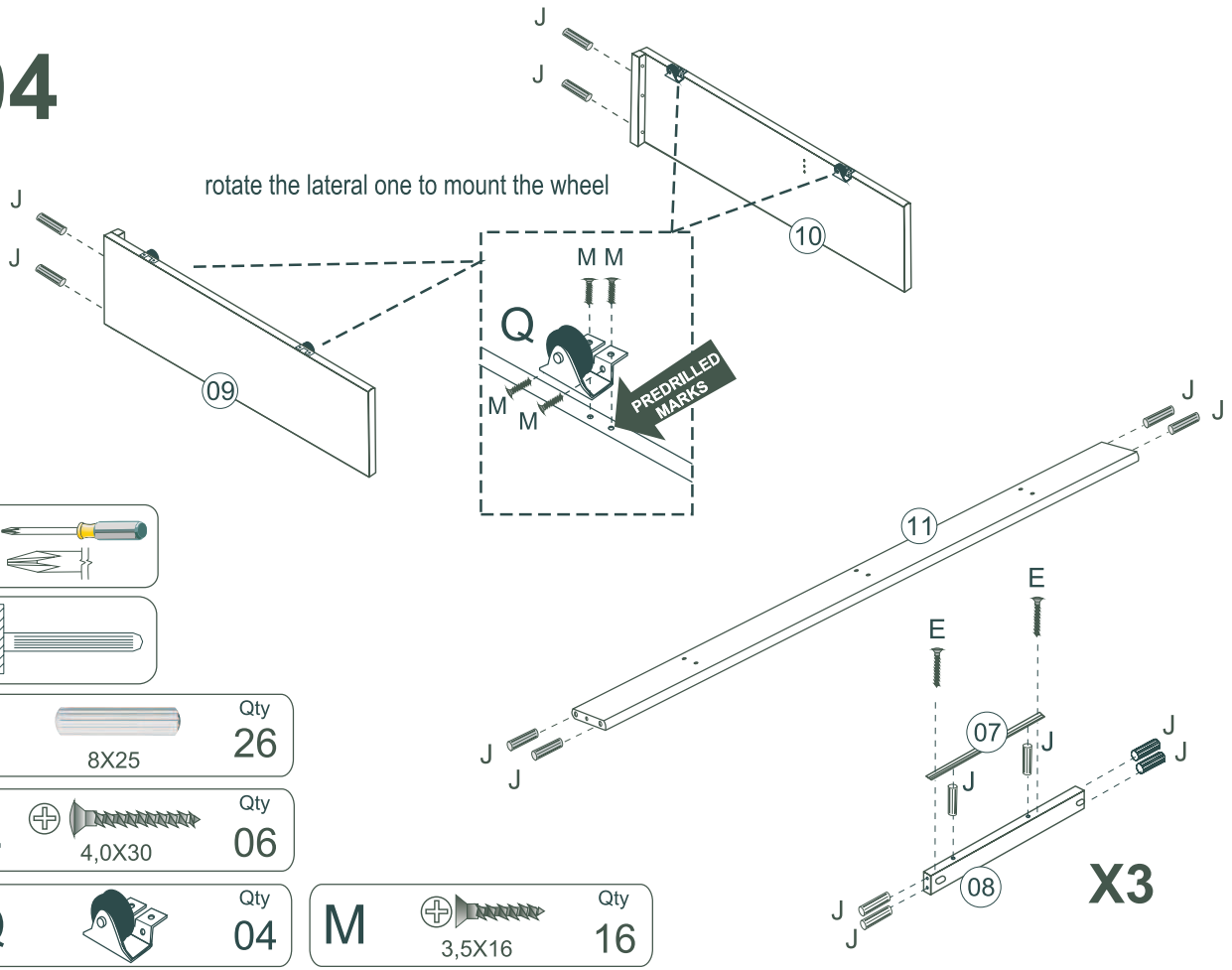
E		Qty
	4,0X30	26

Part List - Trundle



X3

04



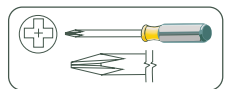
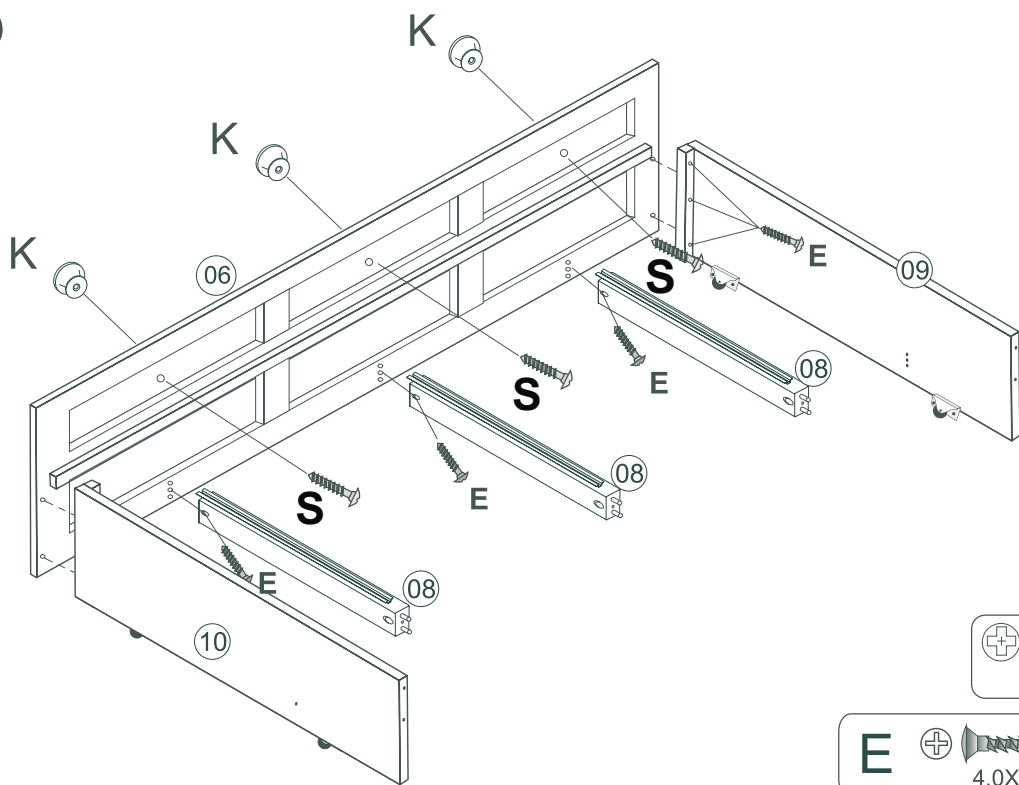
J		Qty
	8X25	26

E		Qty
	4,0X30	06

Q		Qty
		04

M		Qty
	3,5X16	16

05

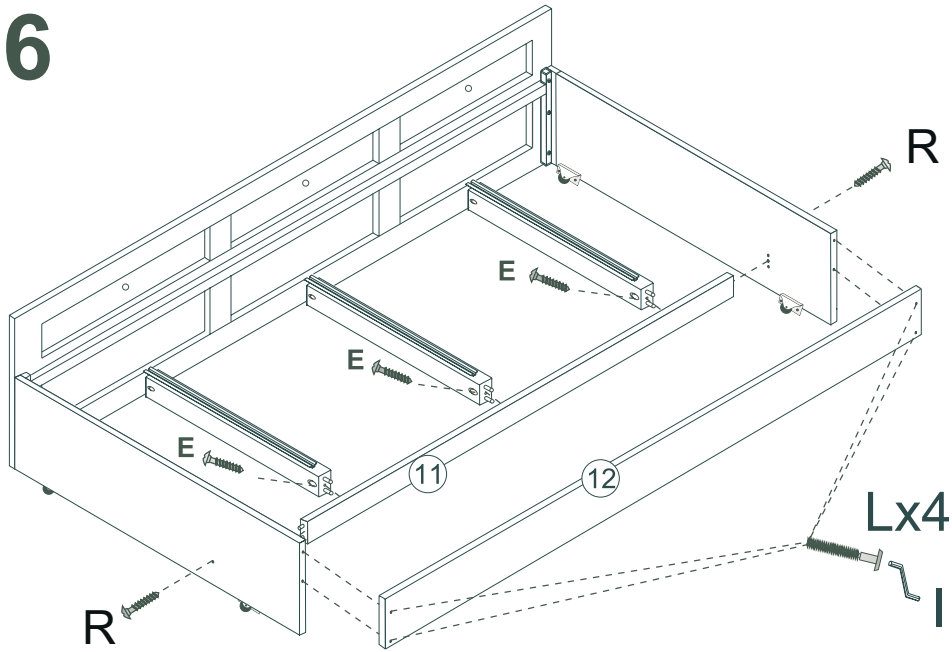


E		Qty
	4,0X30	09

S		Qty
	M4,0X25	03

K		Qty
		03

06

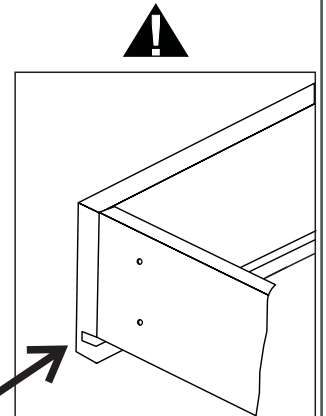
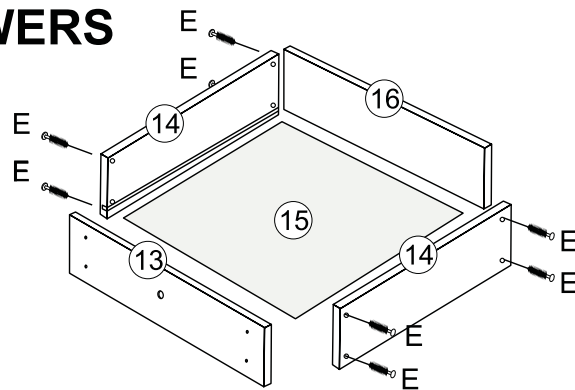


L		7,0X50	Qty	04
R		4,0X50	Qty	02

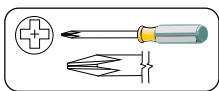
E		4,0X30	Qty	03
I		Hex Screwdriver	Qty	01

07 DRAWERS

X3

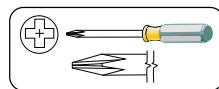
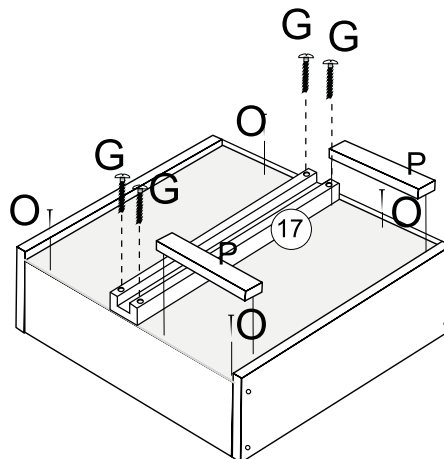


ATTENTION:
ALIGN SIDE CHANNEL WITH FRONT AND BACK DRAWER
FOR BACKGROUND APPLICATION !



E		4,0X30	Qty	24
---	--	--------	-----	----

07.01

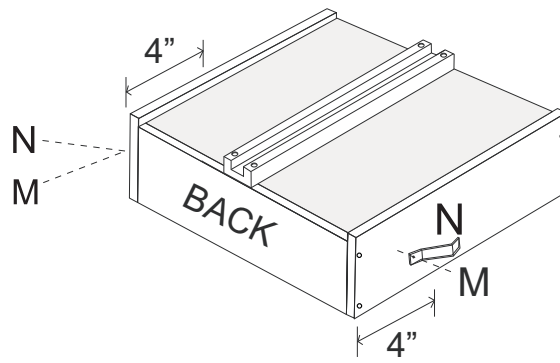
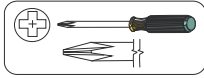


G		3,5X20	Qty	12
---	--	--------	-----	----

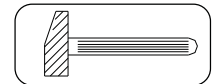
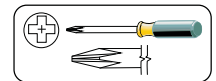
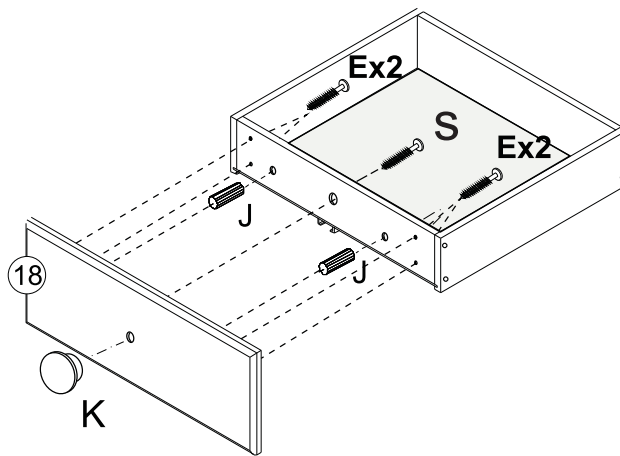
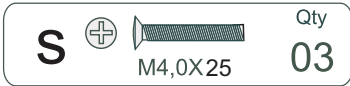
O		10X10	Qty	12
---	--	-------	-----	----

P		Wood Spacer	Qty	02
---	--	-------------	-----	----

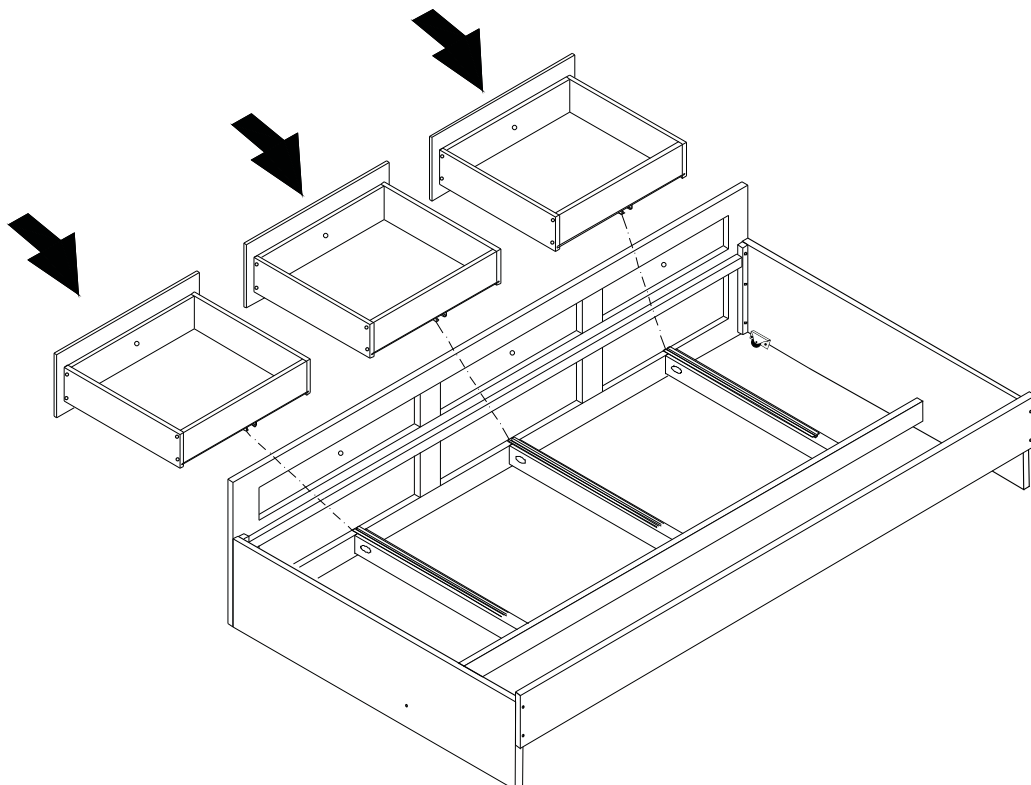
07.02



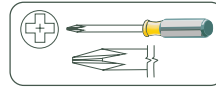
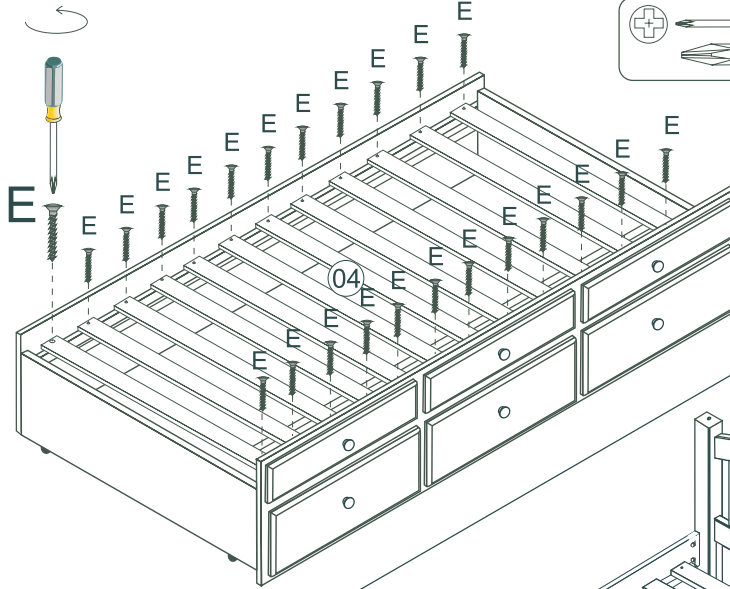
07.03



08

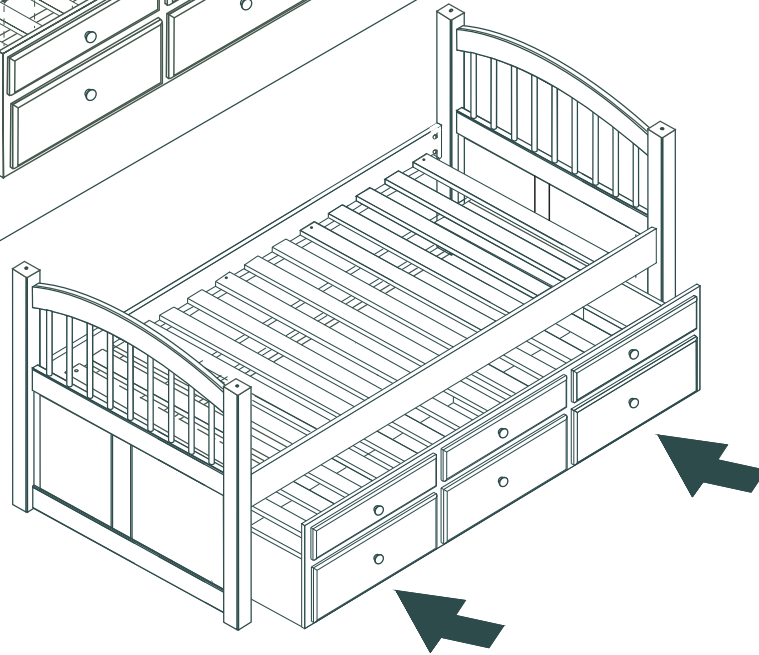


09

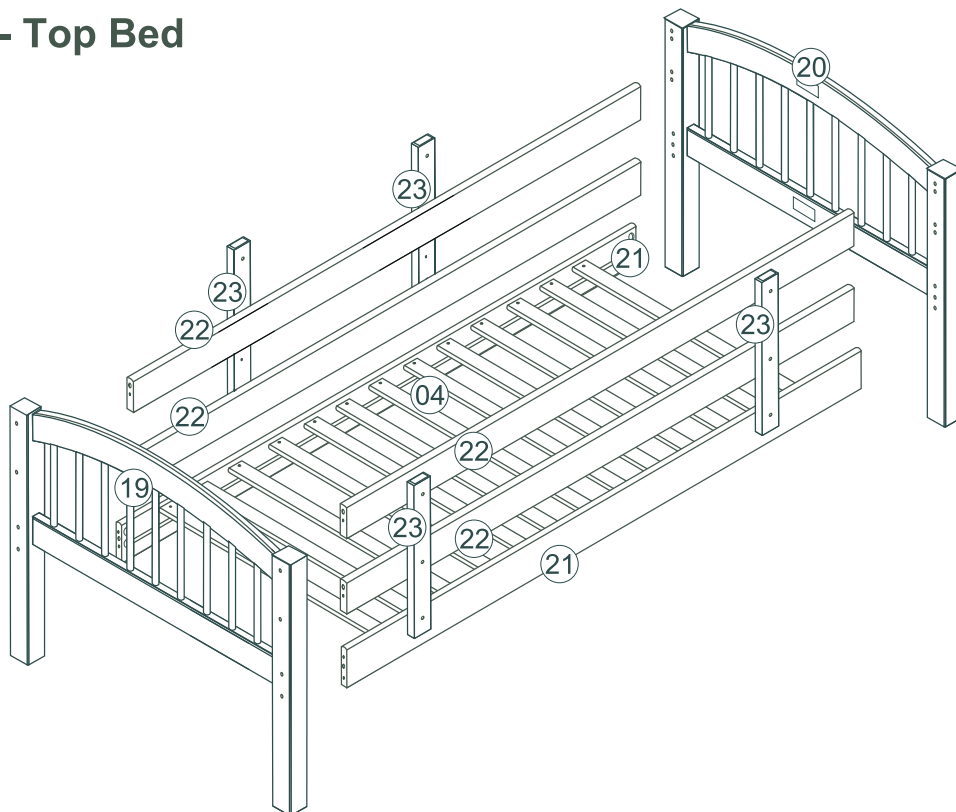


E Qty 26
4,0X30

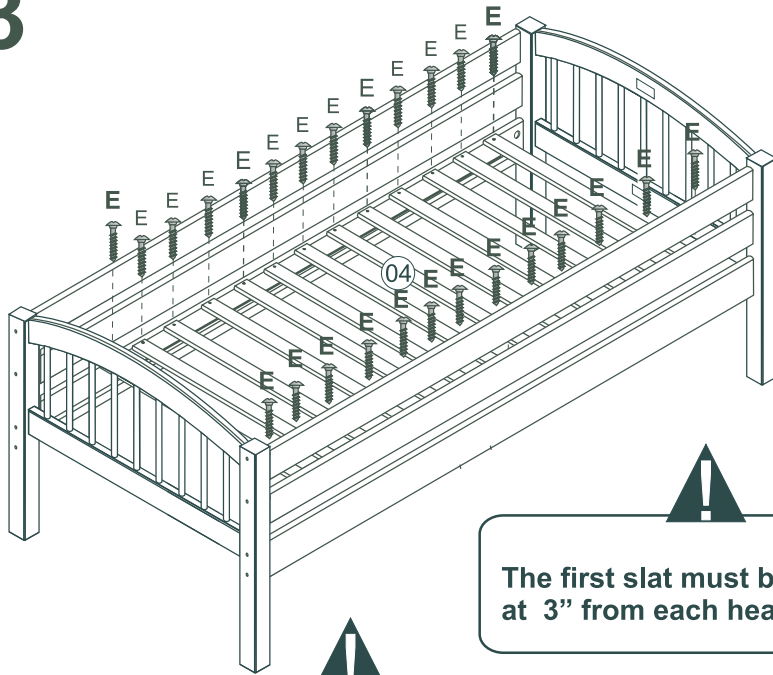
10



Part List - Top Bed



13

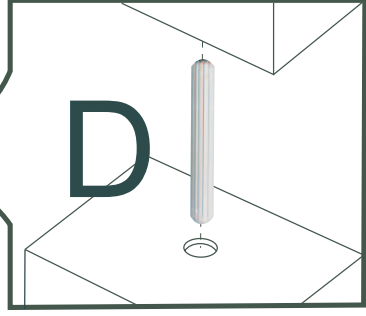
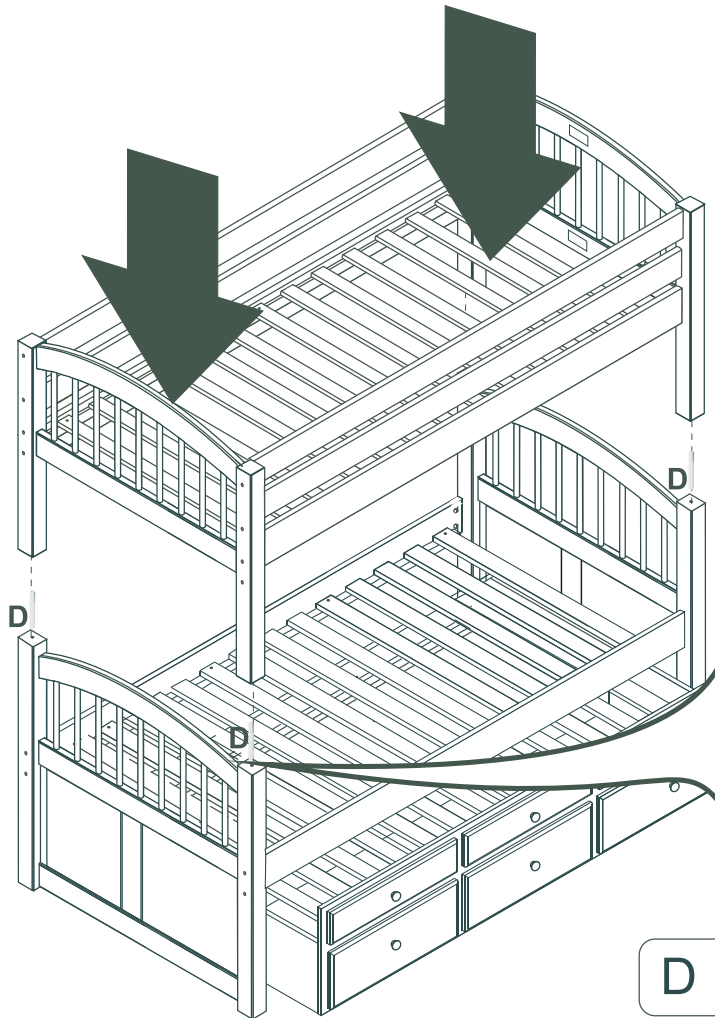


The first slat must be fixed here at 3" from each headboard end

INSTALL SLAT KIT WITH SPACER TAPE ON TOP (FACING UP).

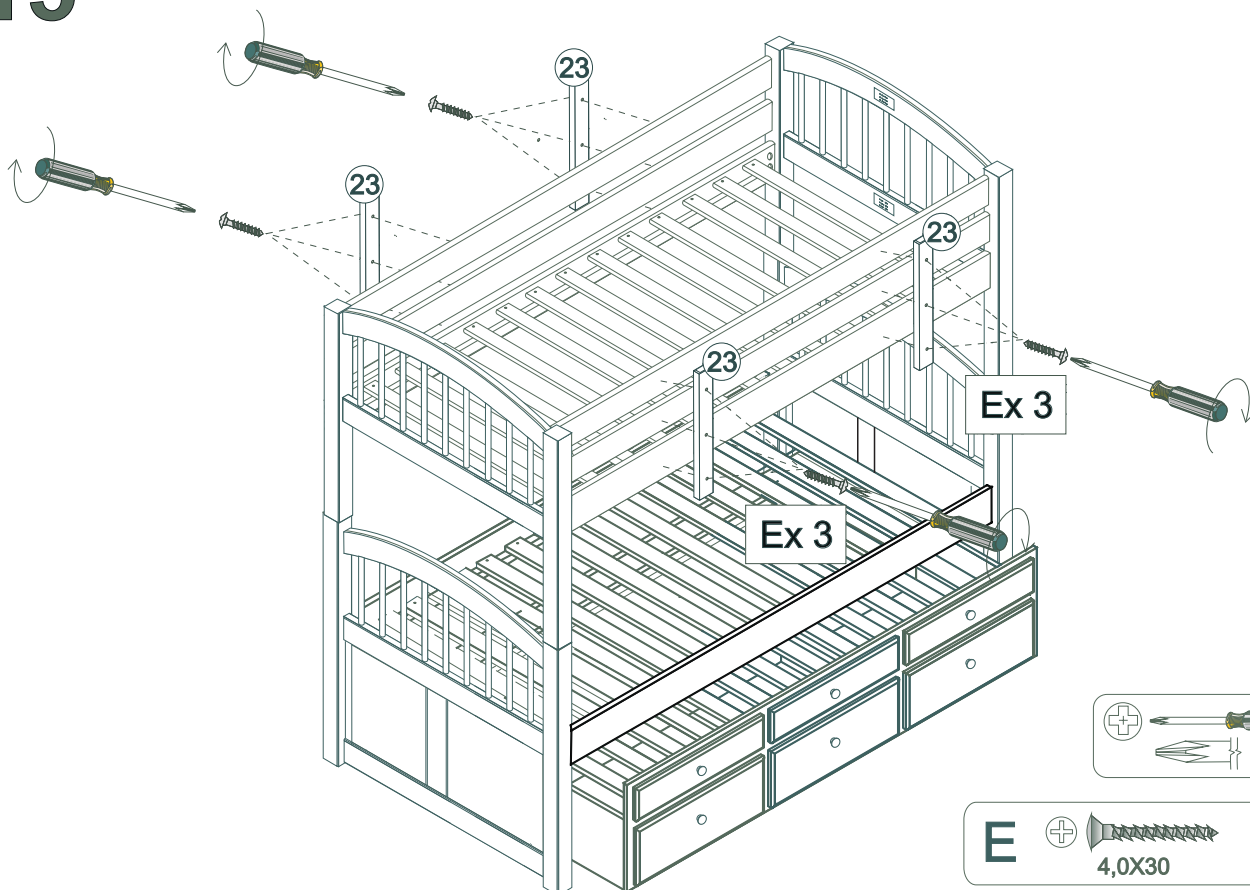
E  **Qty 26**
4,0X30

14



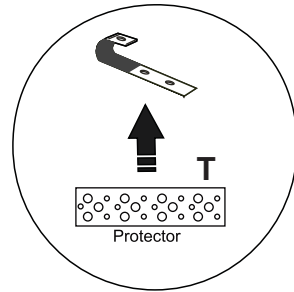
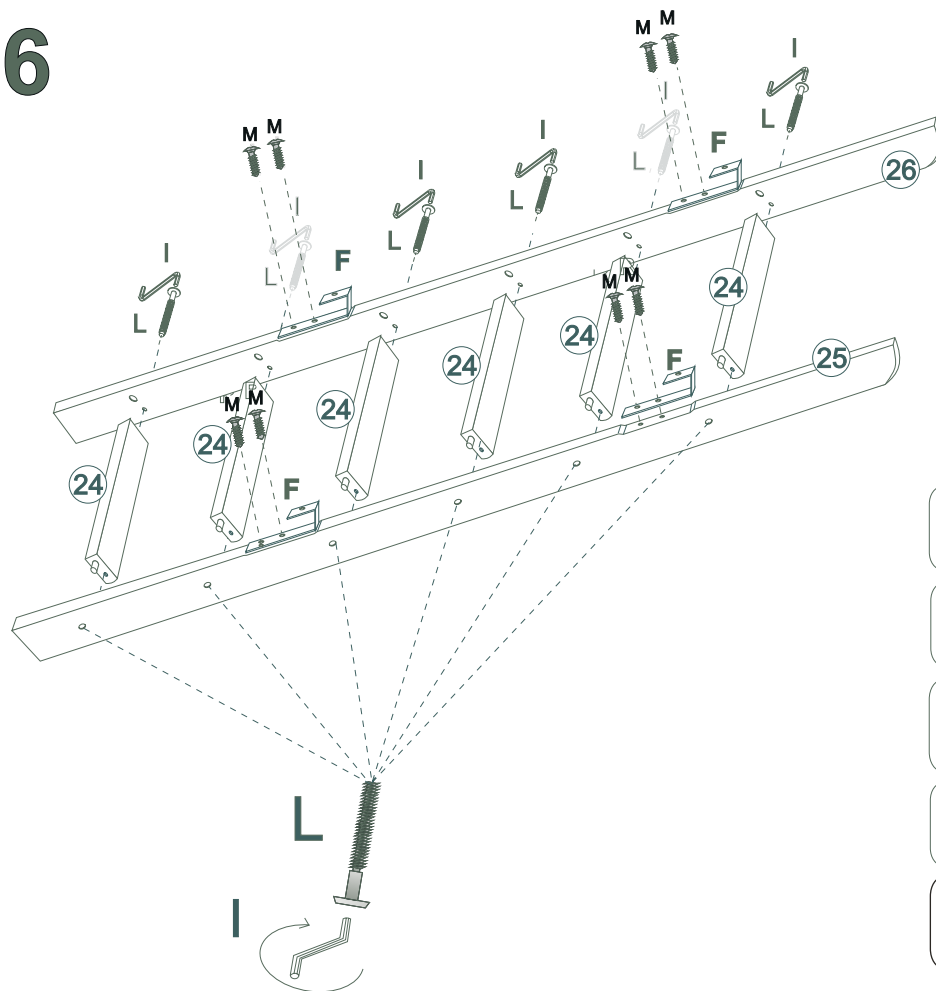
D  **Qty 04**
15X100

15



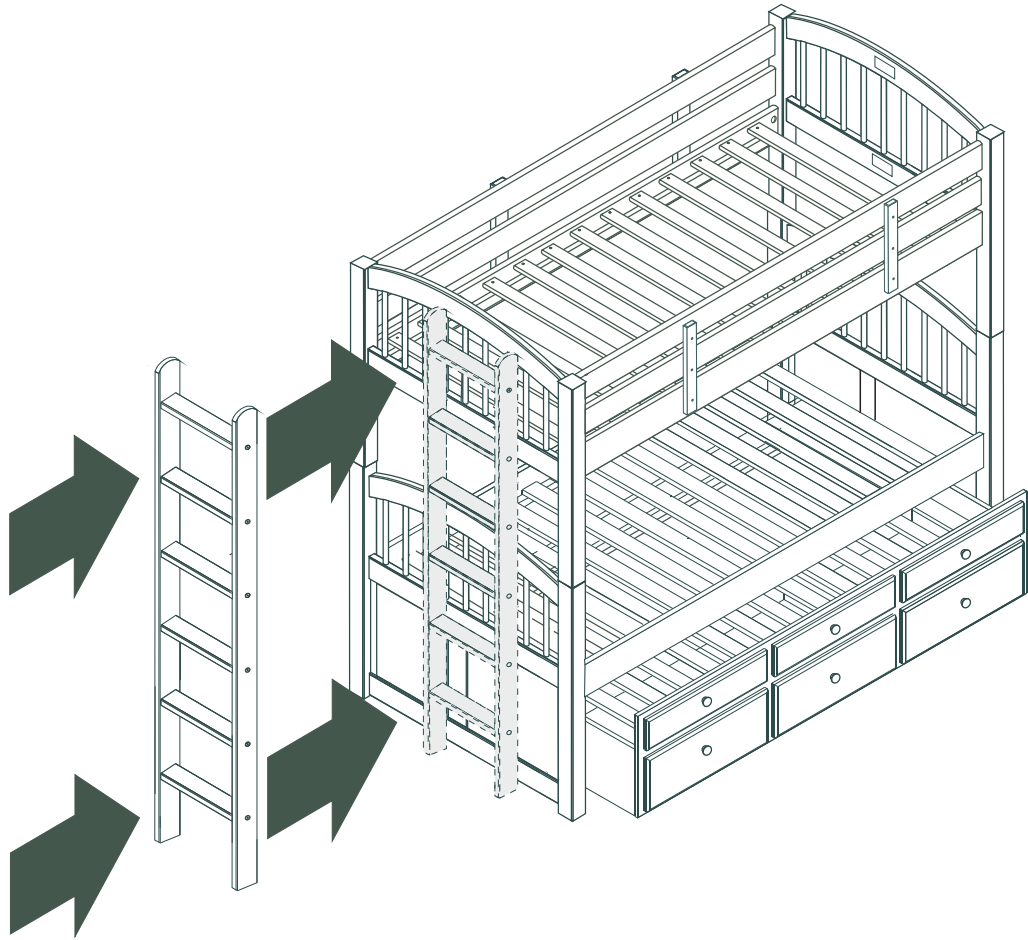
		Qty
E	4,0X30	12

16

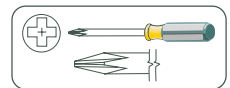
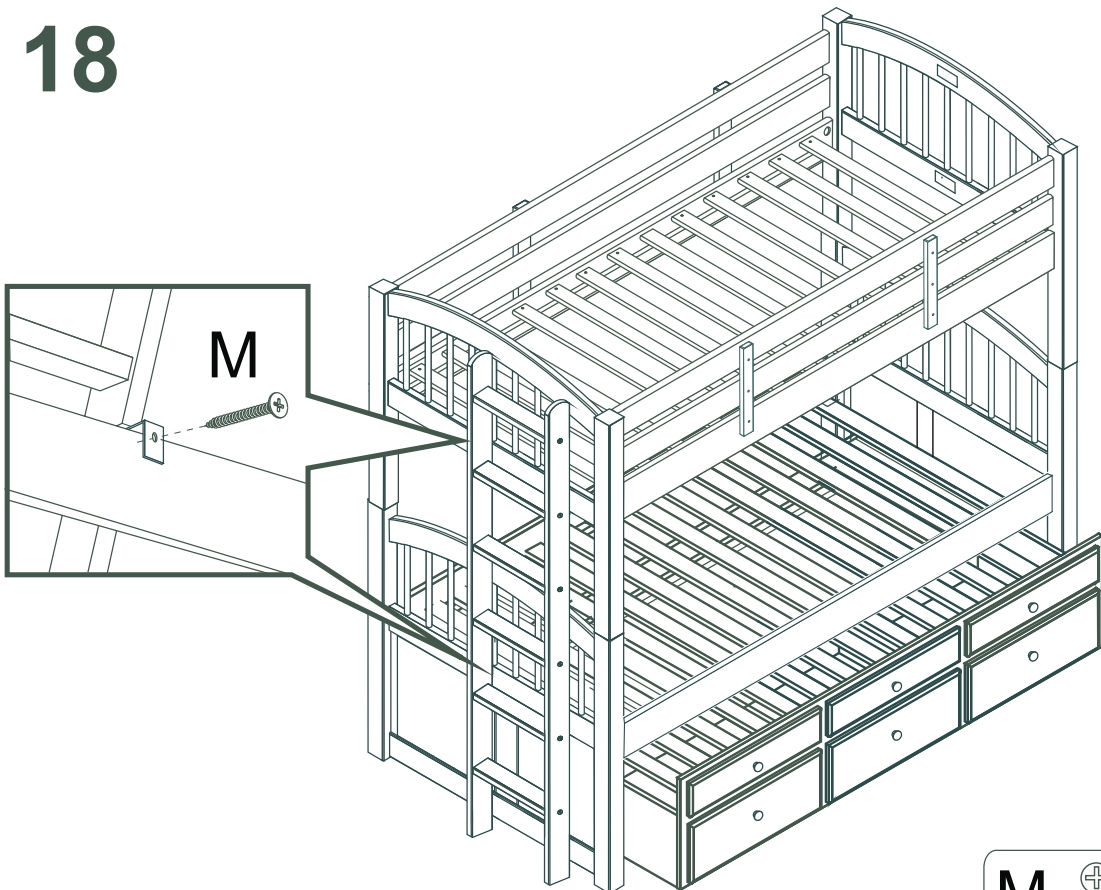


		Qty
I	Hex Screwdriver	01
L	7,0X50	Qty 12
F		Qty 04
M	3,5X16	Qty 08
T	Protector 15x100	Qty 04

17



18



M  3,5X16 Qty 04