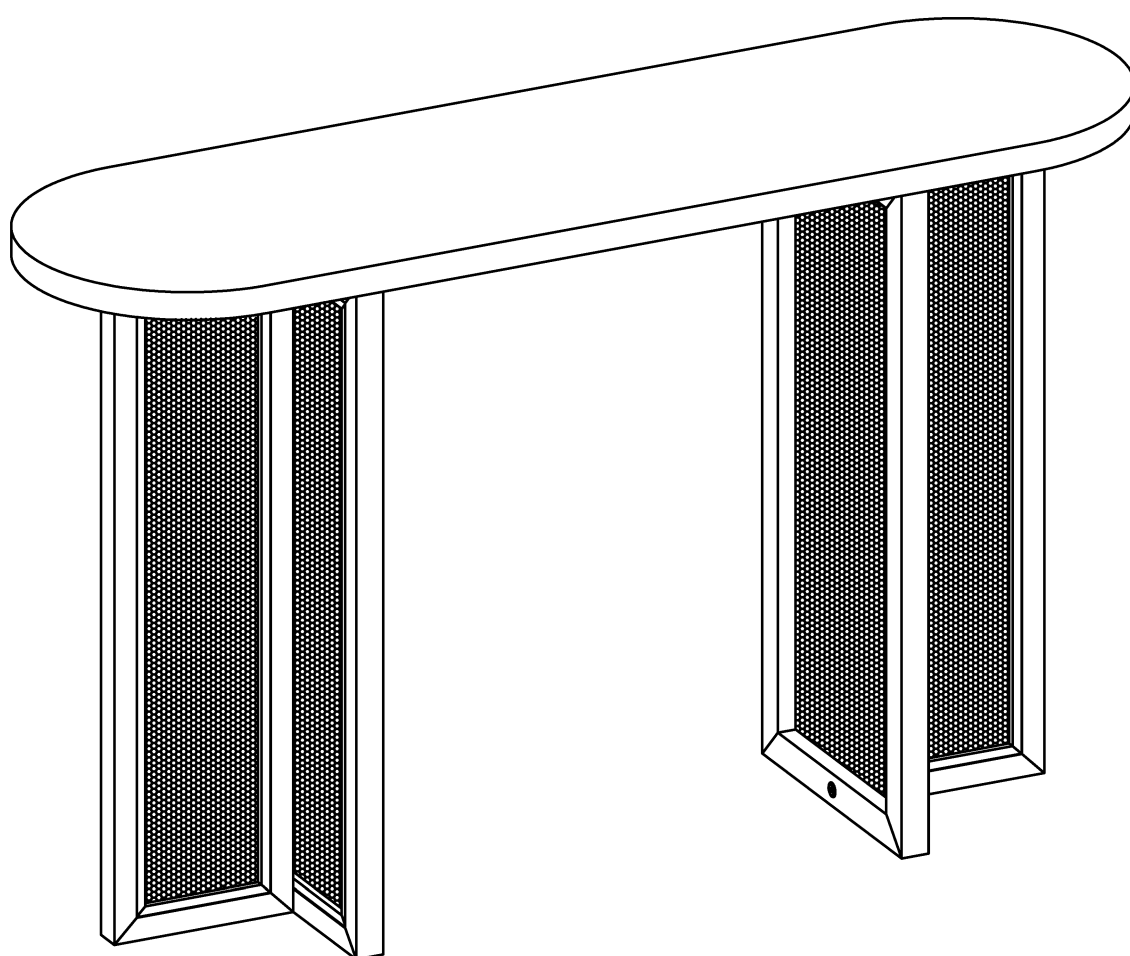


ASSEMBLY INSTRUCTION

Console Table



ASSEMBLY INSTRUCTION

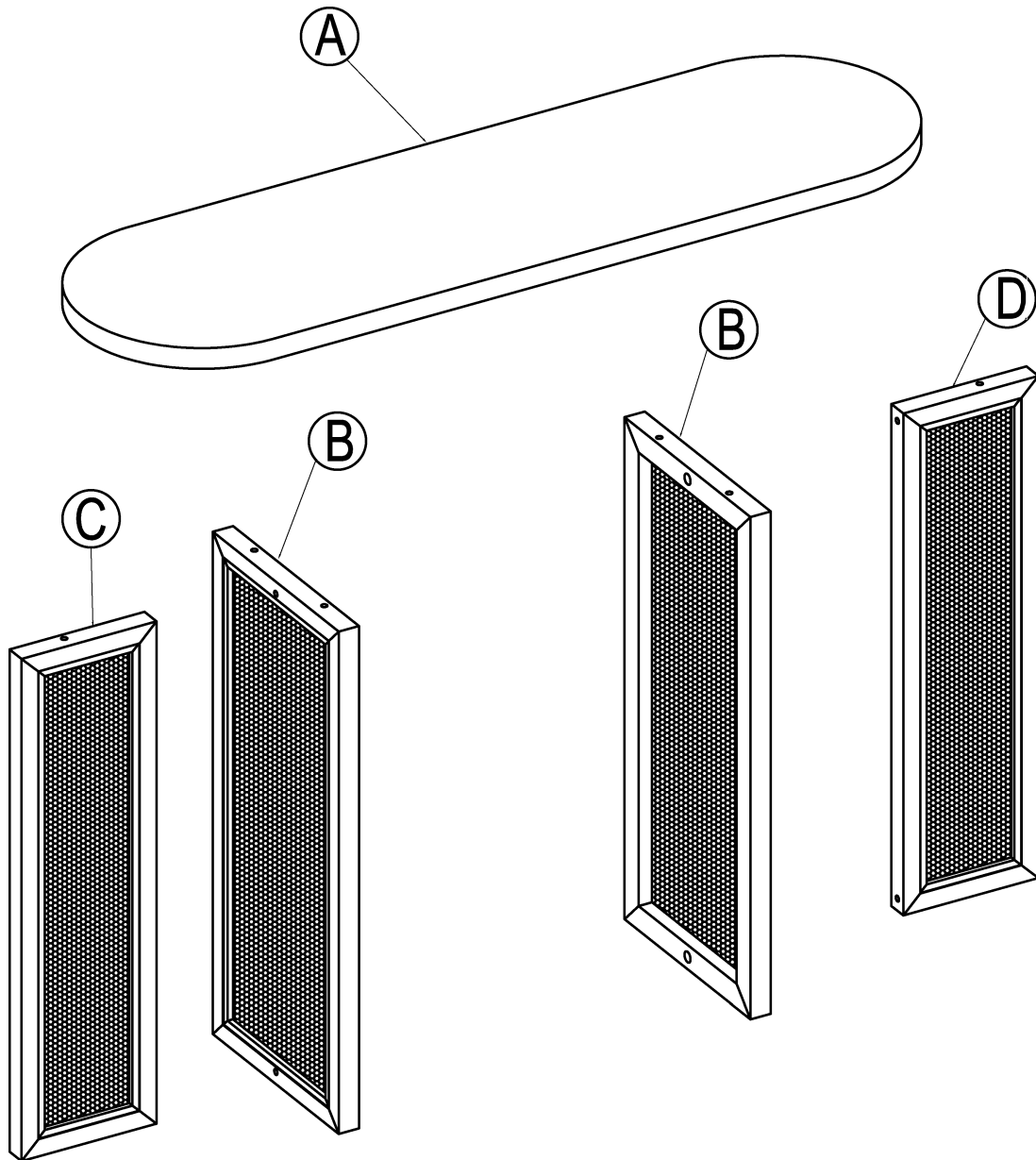
Please read these instructions fully before starting assembly:

1. Place all wooden parts on a clean and smooth surface such as a rug or carpet to avoid scratching the parts.
2. Kindly follow the assembly instructions step by step.
3. Do not tighten all screws and bolts until the table is fully assembled.
4. Unscrew the protective plastique supports from the metal insert of the table legs before assembly.
5. Parts of the assembly will be easier with 2 people.

Care and maintenance:

Only clean using a damp cloth and mild detergent, do not use bleach or abrasive cleaners.

ASSEMBLY INSTRUCTION



ASSEMBLY INSTRUCTION

Part List

(A)

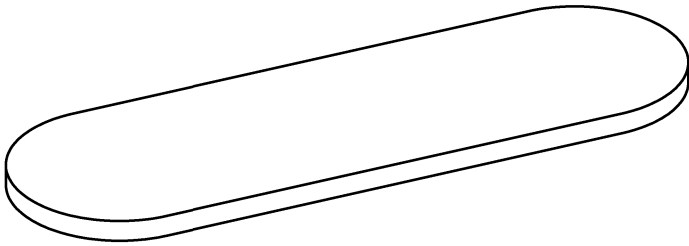
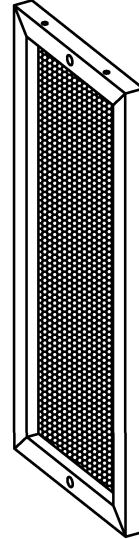


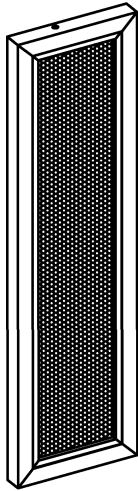
TABLE TOP (1 pc)

(B)



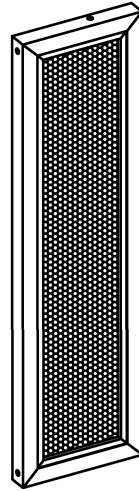
BIG LEG (2 pcs)

(C)



SMALL LEG LEFT (1 pc)

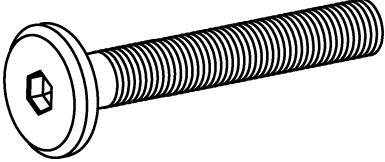
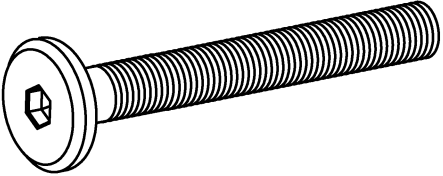
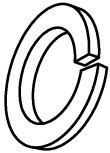
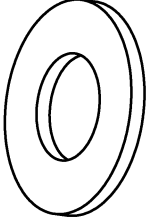

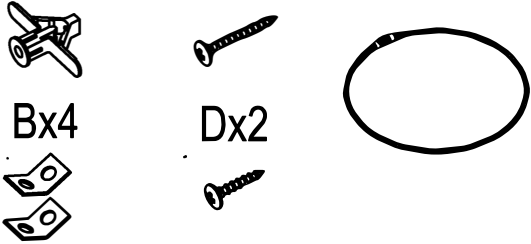
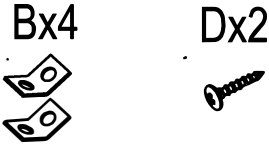
(D)



SMALL LEG RIGHT (1 pc)

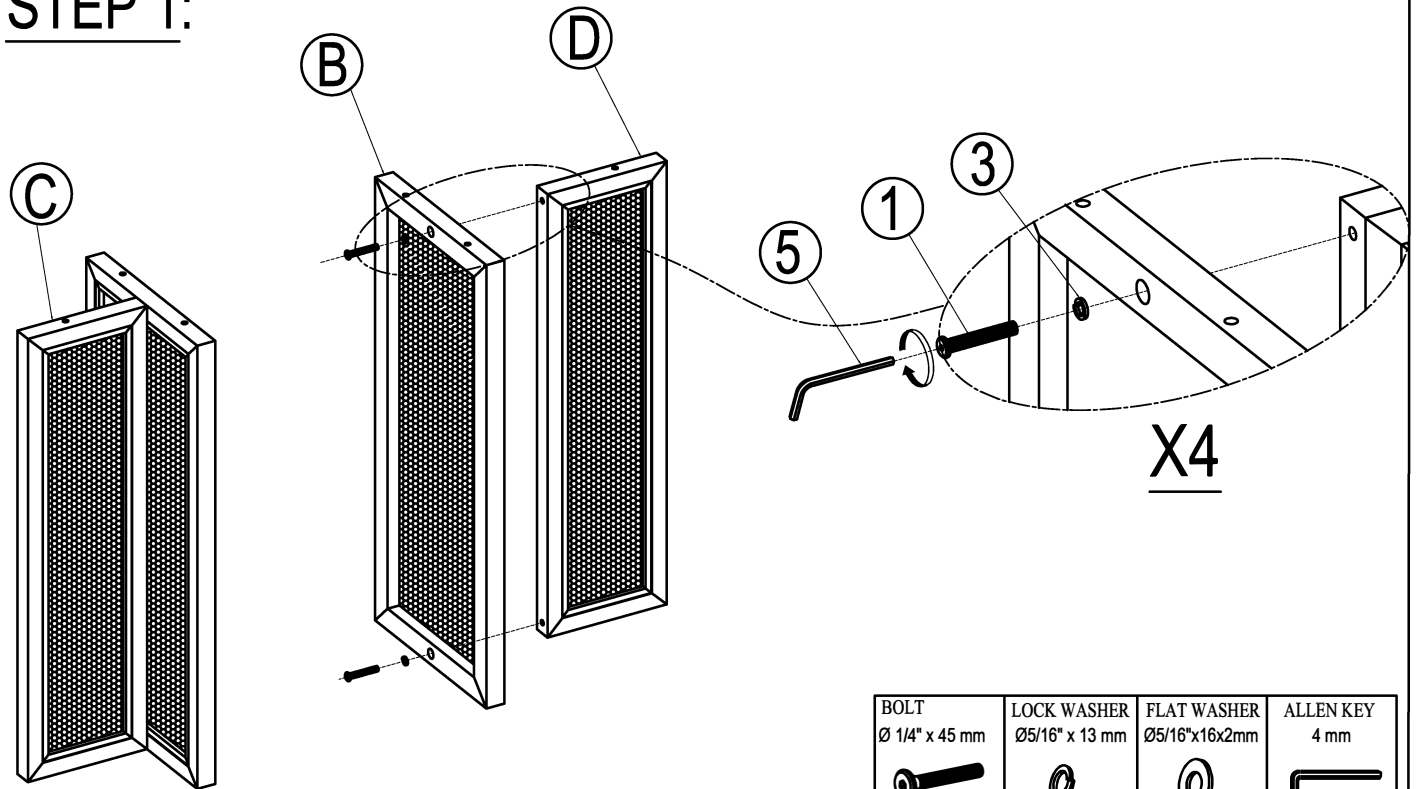
ASSEMBLY INSTRUCTION





Hardware List

| | |
|---------------------------------------------------------------------------------------------------------------------------------------------|---------------------------------------------------------------------------------------------------------------------------------------------------------------------------------------------------------------------------------------------------------------------|
| <p>①</p>  <p>Ø 1/4" x 45 mm BOLT (4 pcs)</p> | <p>②</p>  <p>Ø 1/4" x 50 mm BOLT (6 pcs)</p> |
| <p>③</p>  <p>Ø5/16" x 13 mm LOCK WASHER (10 pcs)</p> | <p>④</p>  <p>Ø5/16" x 16 x 2 mm FLAT WASHER (6 pcs)</p> |
| <p>⑤</p>  <p>4 mm ALLEN KEY (1 pc)</p> | <p>⑥</p> <p>Ax2 Cx2 Ex2</p>  <p>Bx4 Dx2</p>  <p>ANTI-PACKING KIT(2 SETS)</p> |

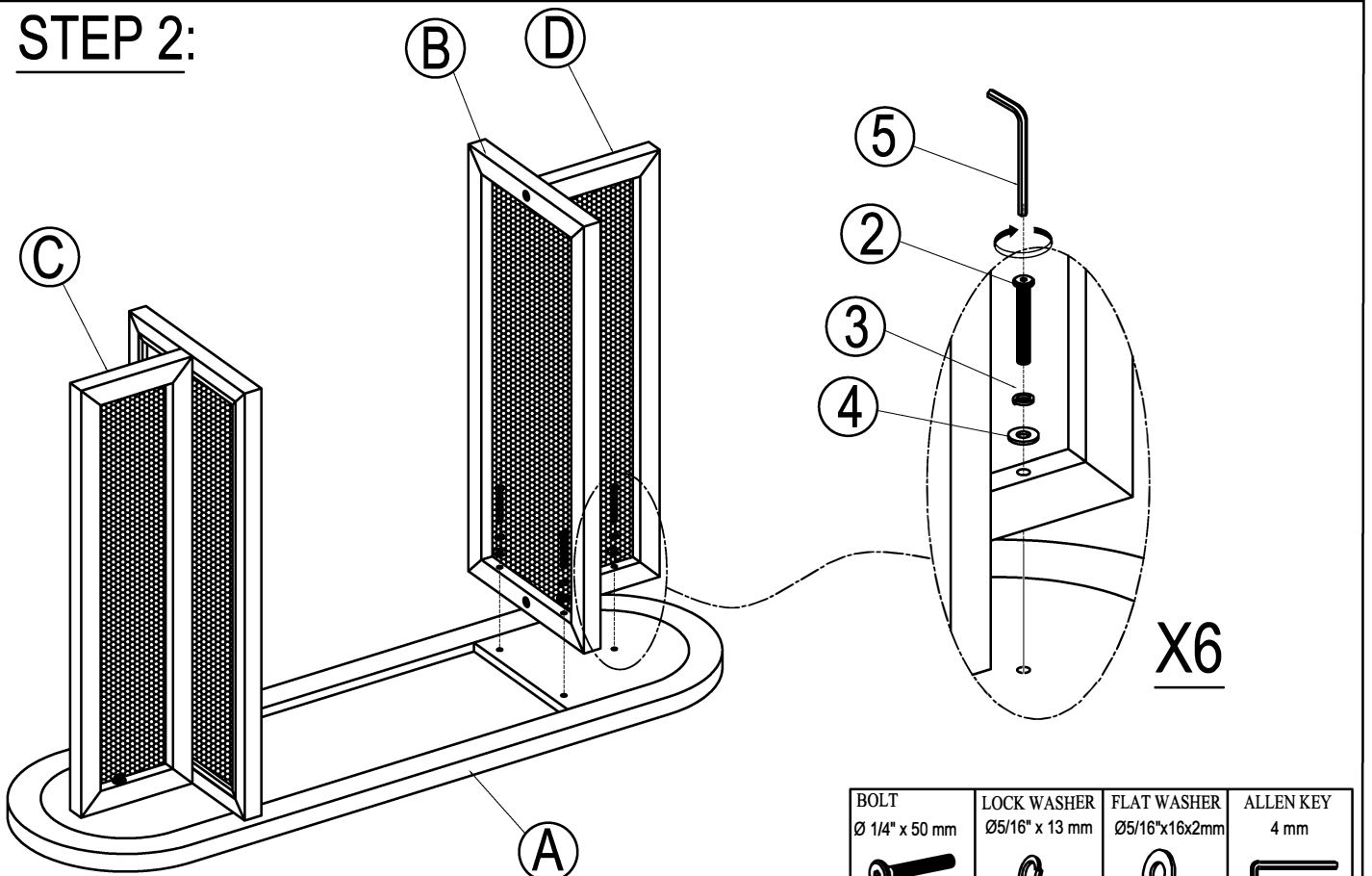
ASSEMBLY INSTRUCTION




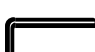
STEP 1:



| BOLT Ø 1/4" x 45 mm | LOCK WASHER Ø5/16" x 13 mm | FLAT WASHER Ø5/16"x16x2mm | ALLEN KEY 4 mm |
|--------------------------------------------------------------------------------------|---------------------------------------------------------------------------------------|---------------------------------------------------------------------------------------|---------------------------------------------------------------------------------------|
|  |  |  |  |
| ① x 4 | ③ x 4 | ④ x 4 | ⑤ x 1 |

STEP 2:

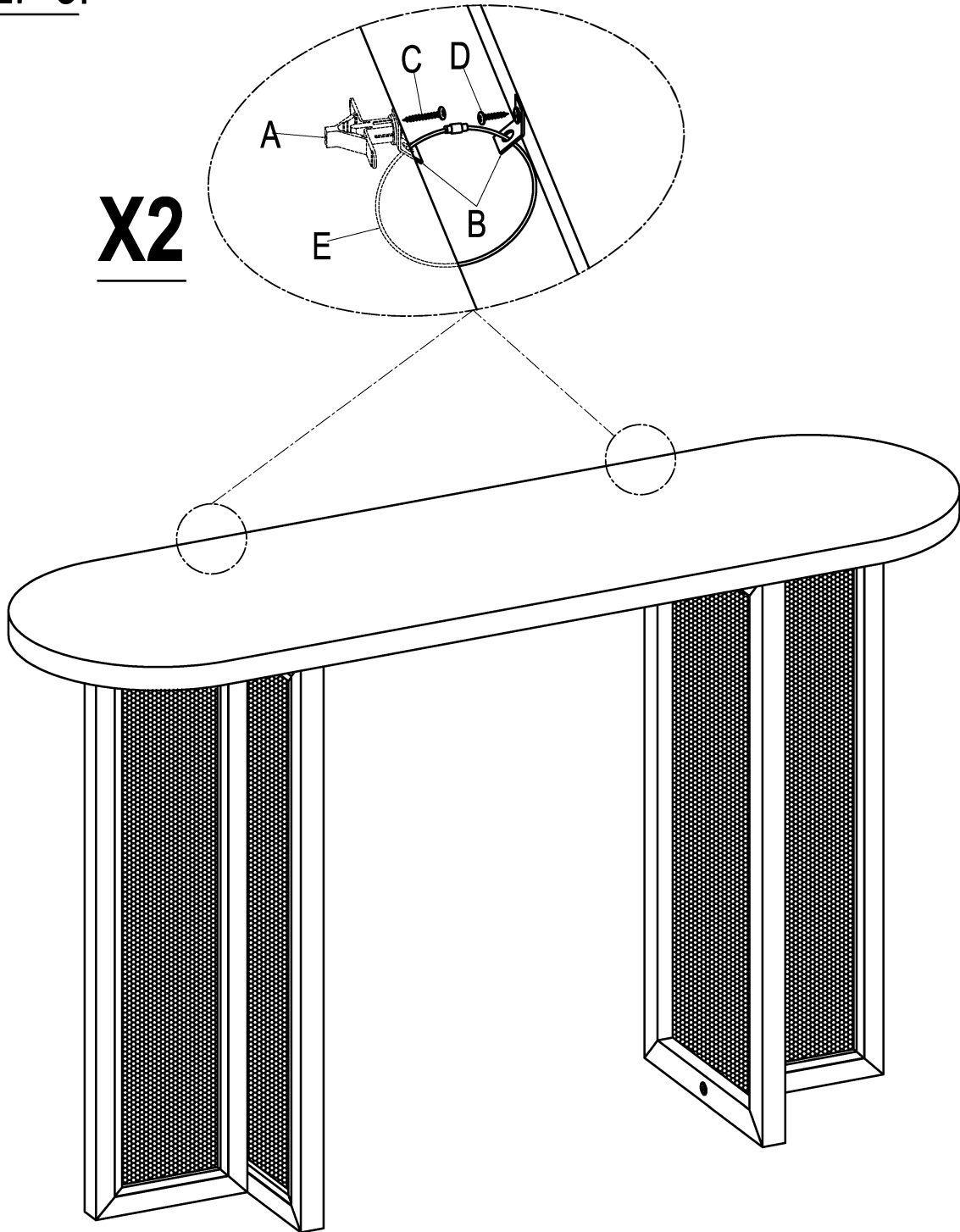


| BOLT Ø 1/4" x 50 mm | LOCK WASHER Ø5/16" x 13 mm | FLAT WASHER Ø5/16"x16x2mm | ALLEN KEY 4 mm |
|--------------------------------------------------------------------------------------|---------------------------------------------------------------------------------------|---------------------------------------------------------------------------------------|---------------------------------------------------------------------------------------|
|  |  |  |  |
| ② x 6 | ③ x 6 | ④ x 6 | ⑤ x 1 |

ASSEMBLY INSTRUCTION

STEP 3:

X2



| ⑥-A | ⑥-B | ⑥-C | ⑥-D | ⑥-E |
|-------|-------|-------|-------|-------|
| | | | | |
| 2 pcs | 4 pcs | 2 pcs | 2 pcs | 2 pcs |

COMPLETE