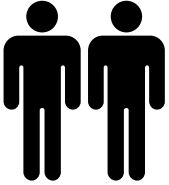
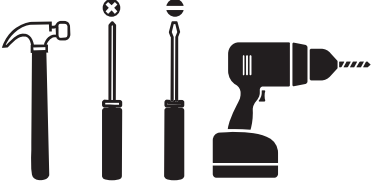


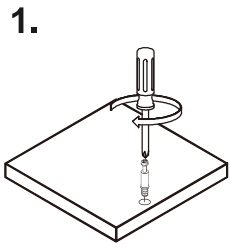
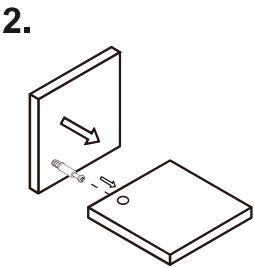
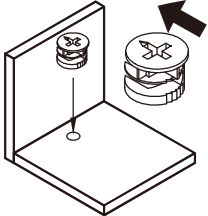
Home
Distinctively Yours!

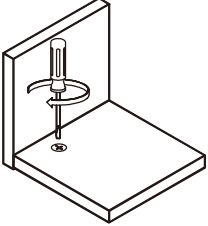
1. Installation precautions

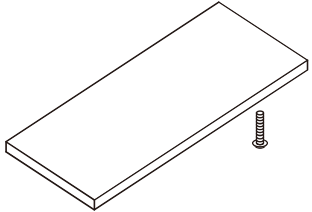
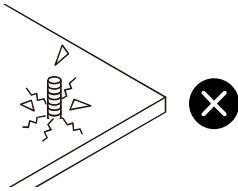
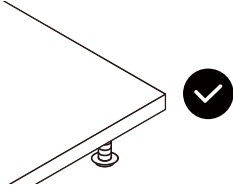
| | |
|--|--|
|  <p>2 PERS.</p> |  <p>Tools required (not included)</p> |
|--|--|

2. Matters needing attention

Cam Lock Fastening System
Insert the cam bolt into the hole first, then insert the cam lock and lock it.

- 
- 
- 

The opening must point toward the edge of the board
- 

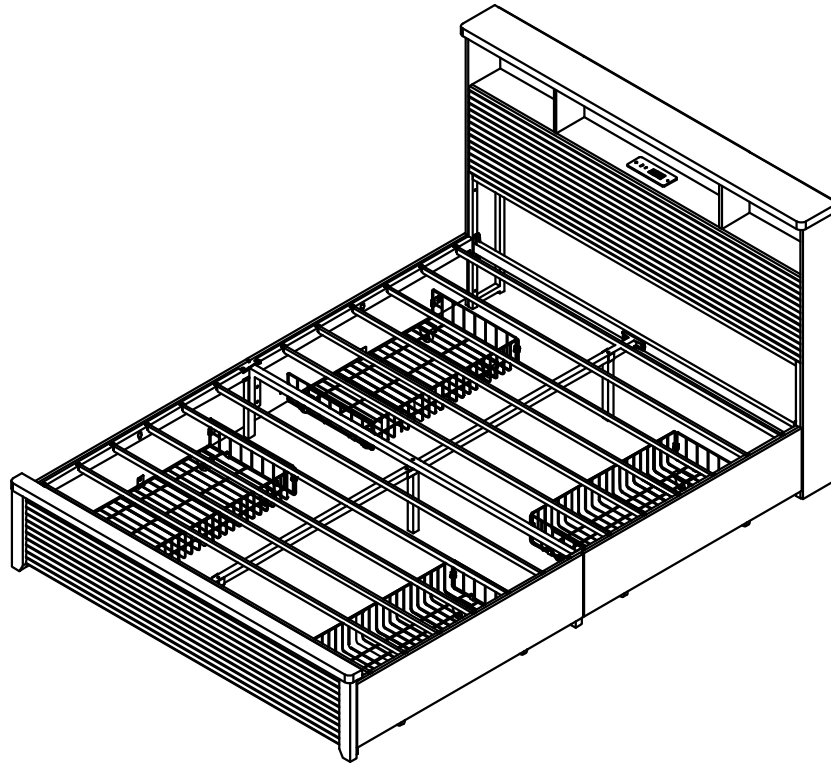
| | | |
|--|--|--|
|  <p>Be sure to use the proper screws to avoid damaging the parts.</p> |  <p>Wrong screws can cause the plank to crack</p> |  <p>The right screw is the right size</p> |
|--|--|--|

NOTE:

When assembling, please do not fully tighten the screws one by one until all corresponding screws are in the correct position. All parts are numbered for easy assembly. Any questions, please feel free to contact us.

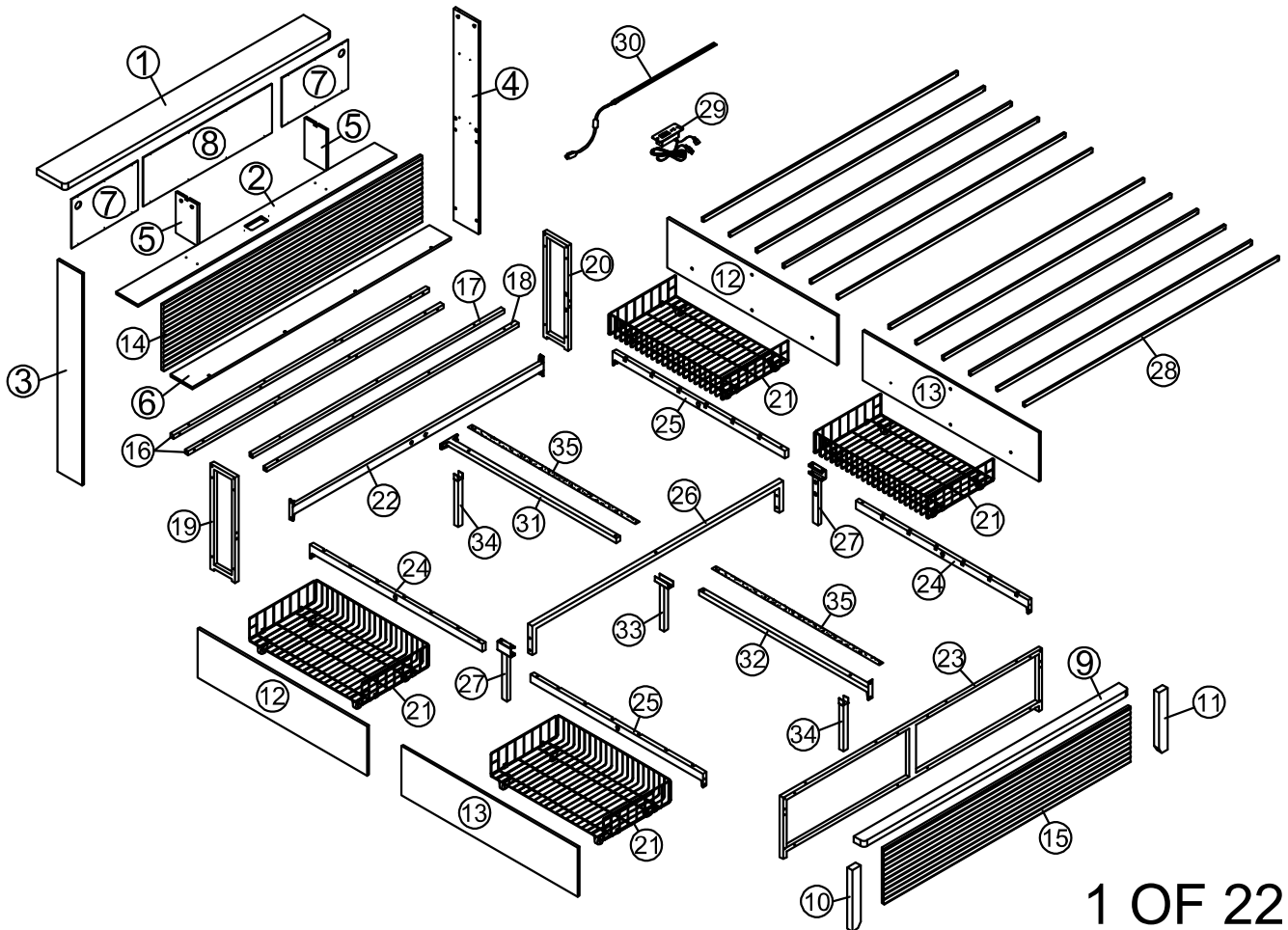
Please check that you have all the parts listed before starting assembly, if you find something missing, please stop the assembly and contact us immediately.

Version:1.0
DJ504417
DJ504418

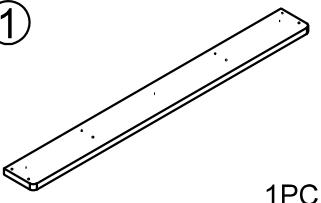
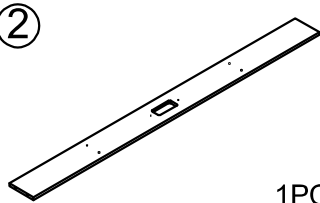
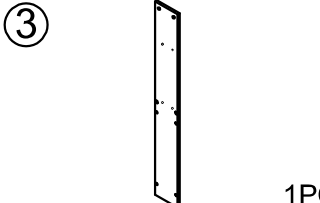
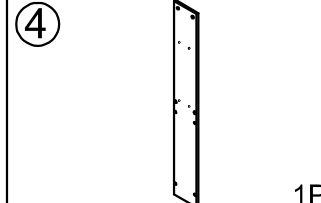
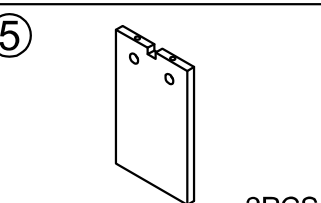
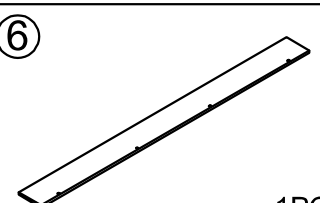
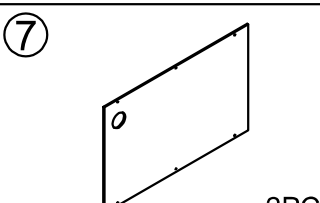
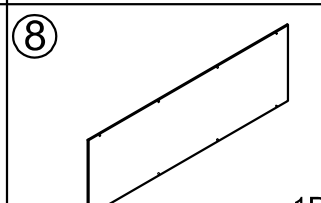
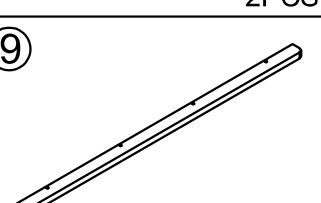
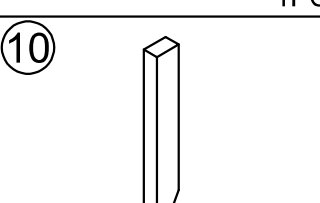
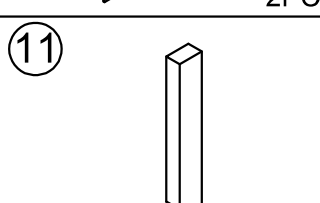
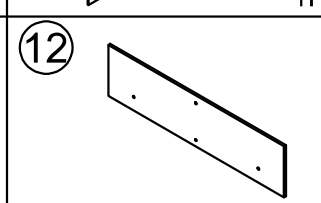
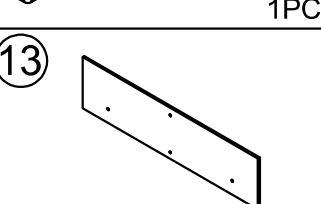
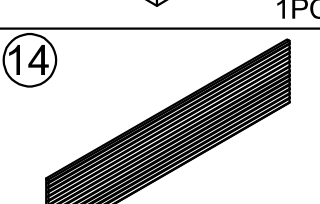
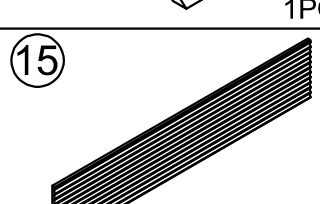
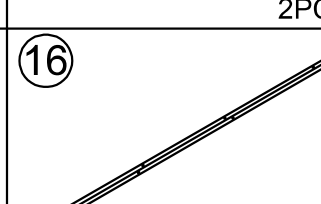
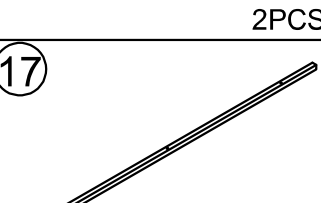
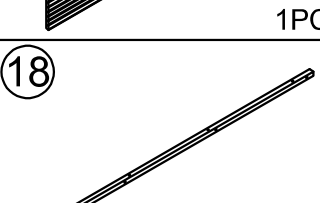
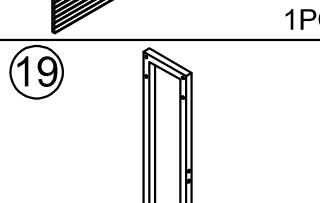
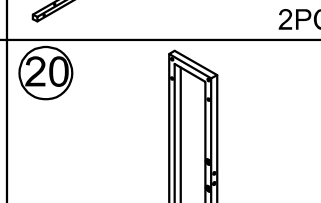
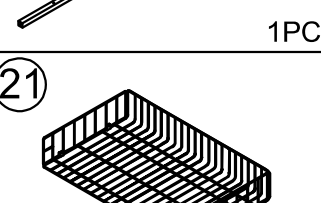
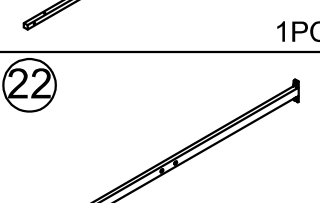
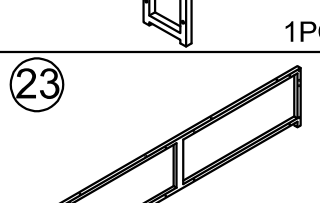
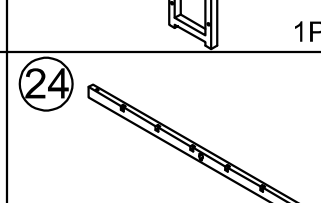
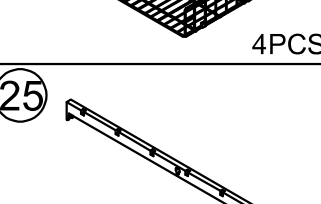
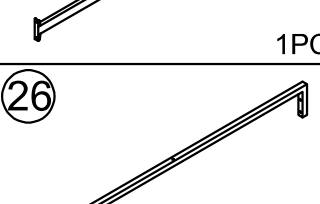
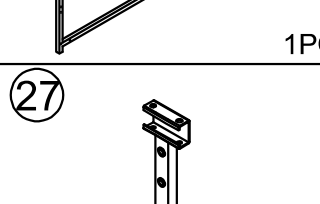
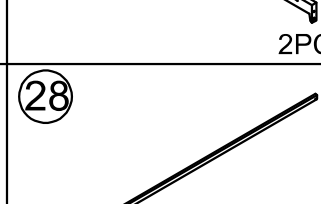
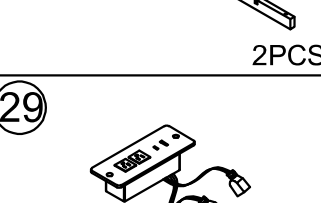
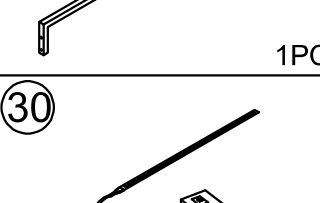
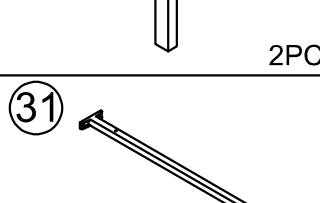
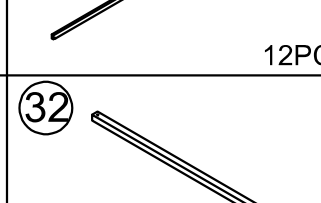


Note:

Should be assembled on flat ground to keep balance.
It needs at least two people to install.
Before starting the assembly, you must read the whole manual and follow the instructions.

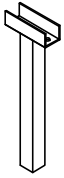


Part list

| | | | |
|--|---|---|---|
| ①  1PC | ②  1PC | ③  1PC | ④  1PC |
| ⑤  2PCS | ⑥  1PC | ⑦  2PCS | ⑧  1PC |
| ⑨  1PC | ⑩  1PC | ⑪  1PC | ⑫  2PCS |
| ⑬  2PCS | ⑭  1PC | ⑮  1PC | ⑯  2PCS |
| ⑰  1PC | ⑱  1PC | ⑲  1PC | ⑳  1PC |
| ㉑  4PCS | ㉒  1PC | ㉓  1PC | ㉔  2PCS |
| ㉕  2PCS | ㉖  1PC | ㉗  2PCS | ㉘  12PCS |
| ㉙  1PC | ㉚  1PC | ㉛  1PC | ㉜  1PC |

Part list

33



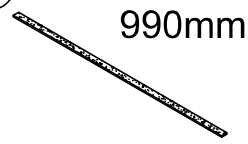
1PC

34



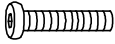

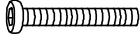


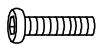
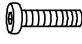




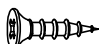
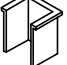




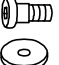





2PCS

35



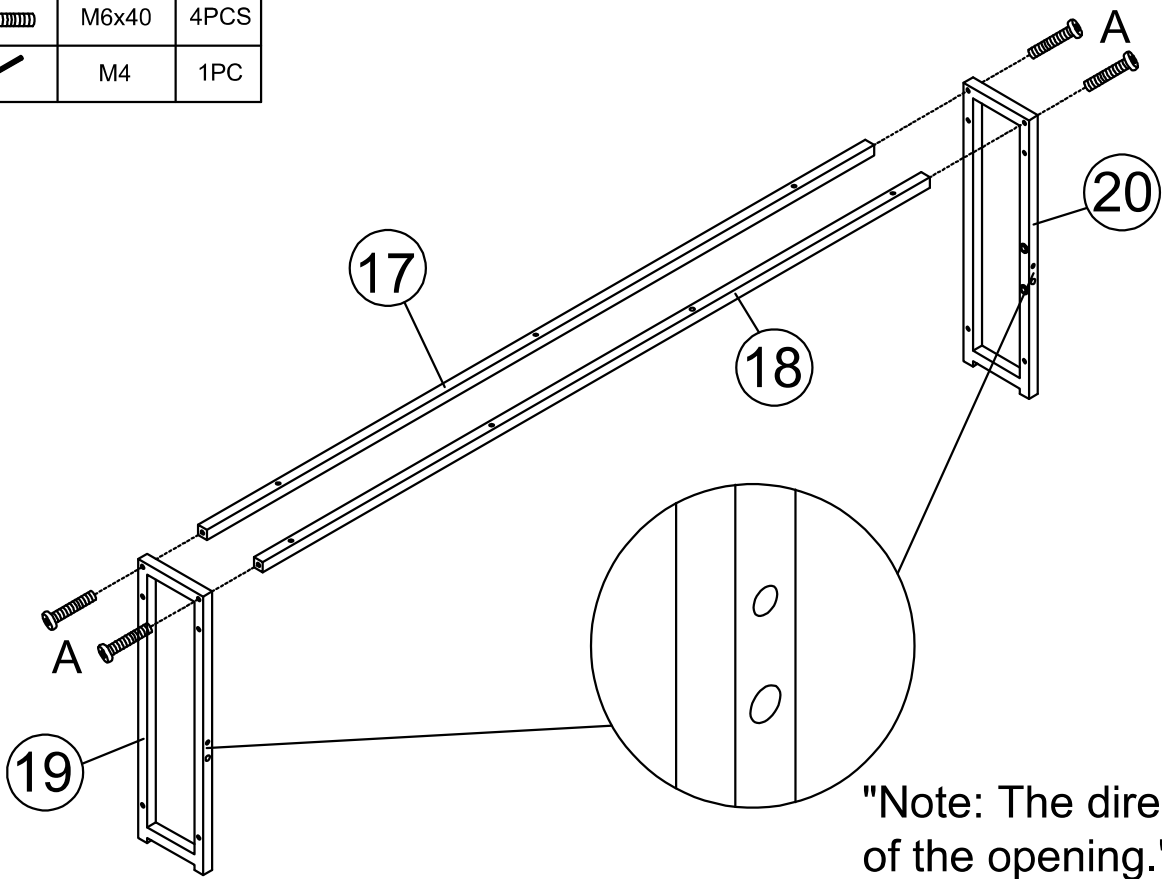
2PCS

Hardware list



| | | | | |
|--|---|--|--|--|
| <p>A M6x40</p>  <p>8+1PCS</p> | <p>B M8x16</p>  <p>8+1PCS</p> | <p>C M8x55</p>  <p>5+1PCS</p> | <p>D M6x18</p>  <p>4+1PCS</p> | <p>E M6x20</p>  <p>4+1PCS</p> |
| <p>F M8x35</p>  <p>8+1PCS</p> | <p>G M6x28</p>  <p>43+4PCS</p> | <p>H M5x40</p>  <p>8+1PCS</p> | <p>I</p>  <p>1PC</p> | <p>J</p>  <p>16+1PCS</p> |
| <p>K</p>  <p>16+1PCS</p> | <p>L M3.5x12</p>  <p>3+1PCS</p> | <p>M</p>  <p>24+4PCS</p> | <p>N</p>  <p>16PCS</p> | <p>O</p>  <p>8PCS</p> |
| <p>P</p>  <p>12PCS</p> | <p>Q M6x10</p>  <p>12+1PCS</p> | <p>R</p>  <p>4PCS</p> | <p>S</p>  <p>M4 2PCS</p> | <p>T</p>  <p>M5 1PC</p> |
| <p>U</p>  <p>22+2PCS</p> | <p>V</p>  <p>M4 1PC</p> | <p>W</p>  <p>8+1PCS</p> | | |

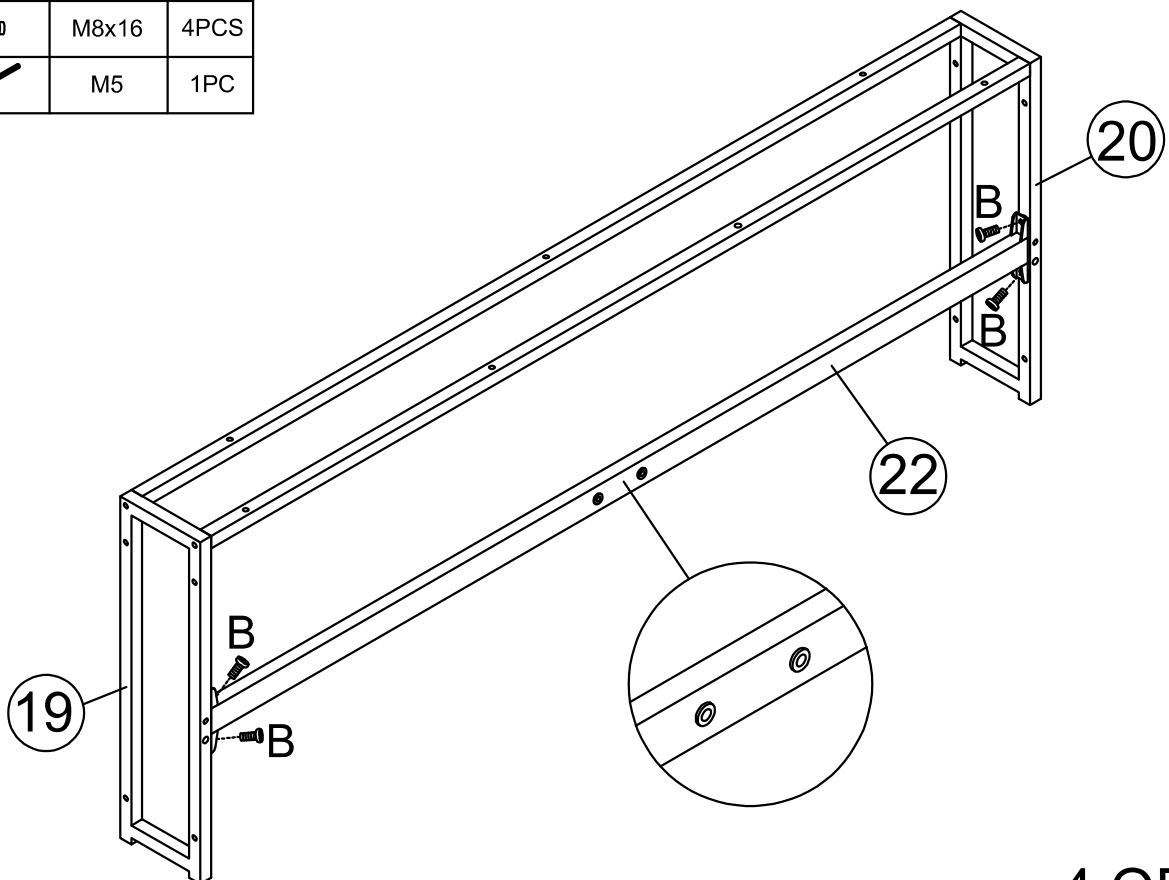
Step 1

| | | | |
|---|---|-------|------|
| A |  | M6x40 | 4PCS |
| S |  | M4 | 1PC |





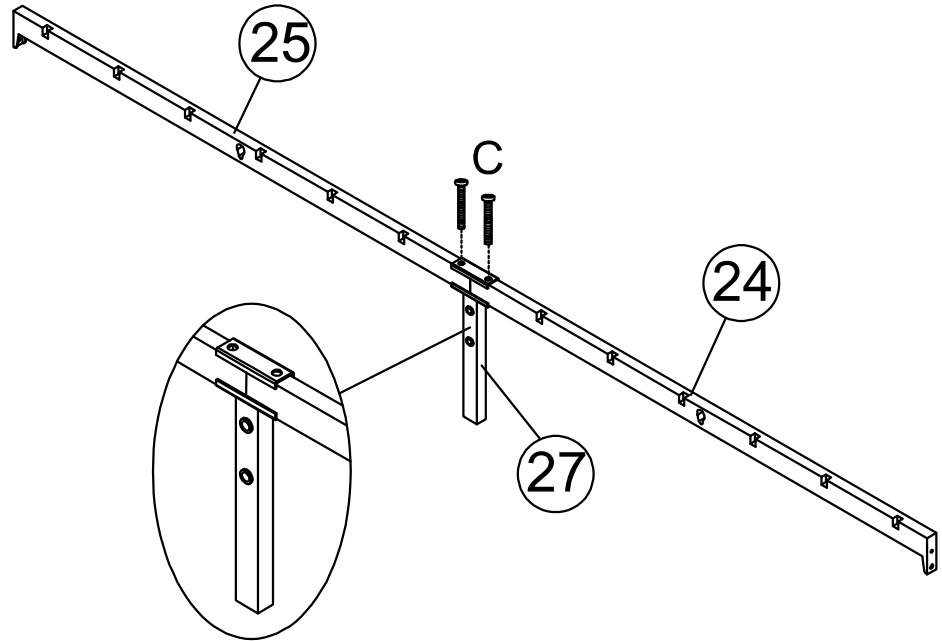
Step 2

| | | | |
|---|---|-------|------|
| B |  | M8x16 | 4PCS |
| T |  | M5 | 1PC |



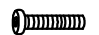

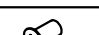

Step 3

| | | | |
|---|---|-------|------|
| C |  | M8x55 | 4PCS |
| T |  | M5 | 1PC |

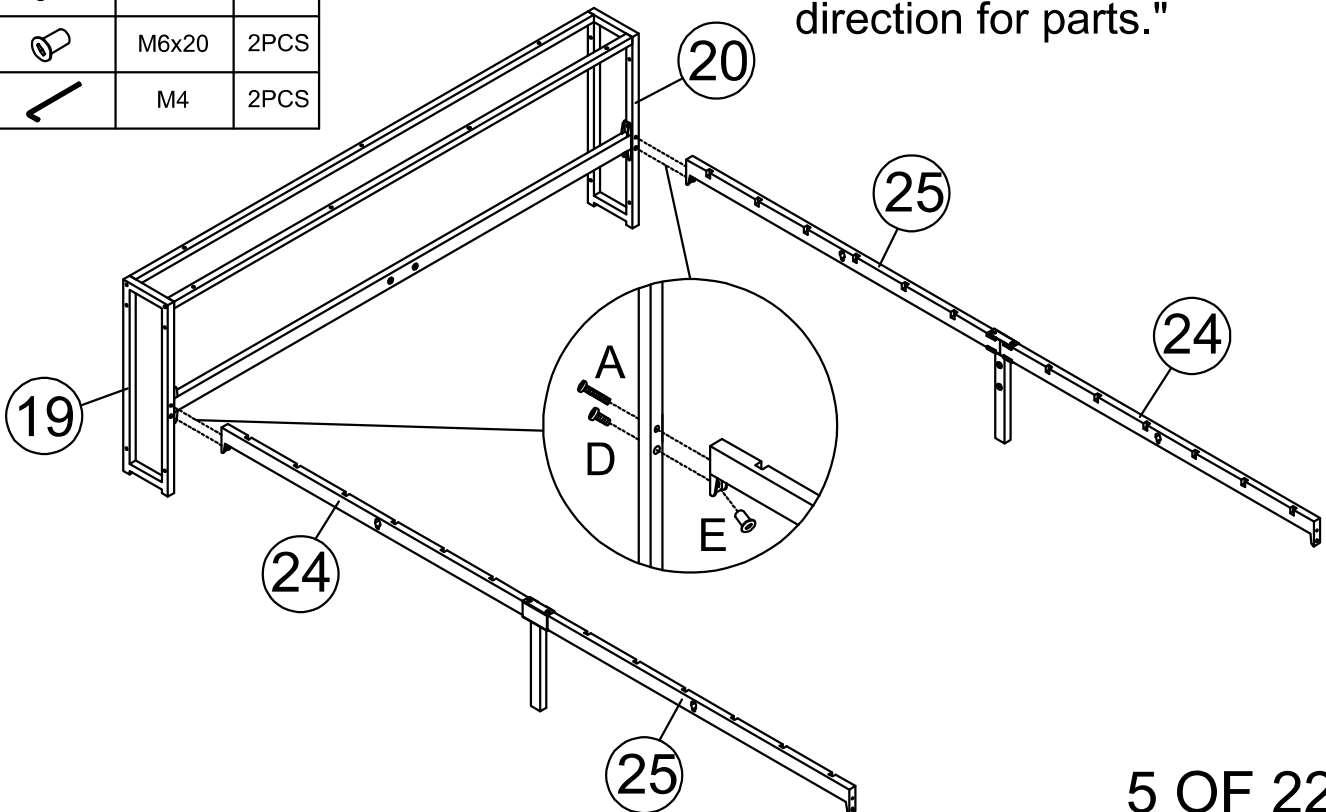


X2

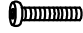



Step 4

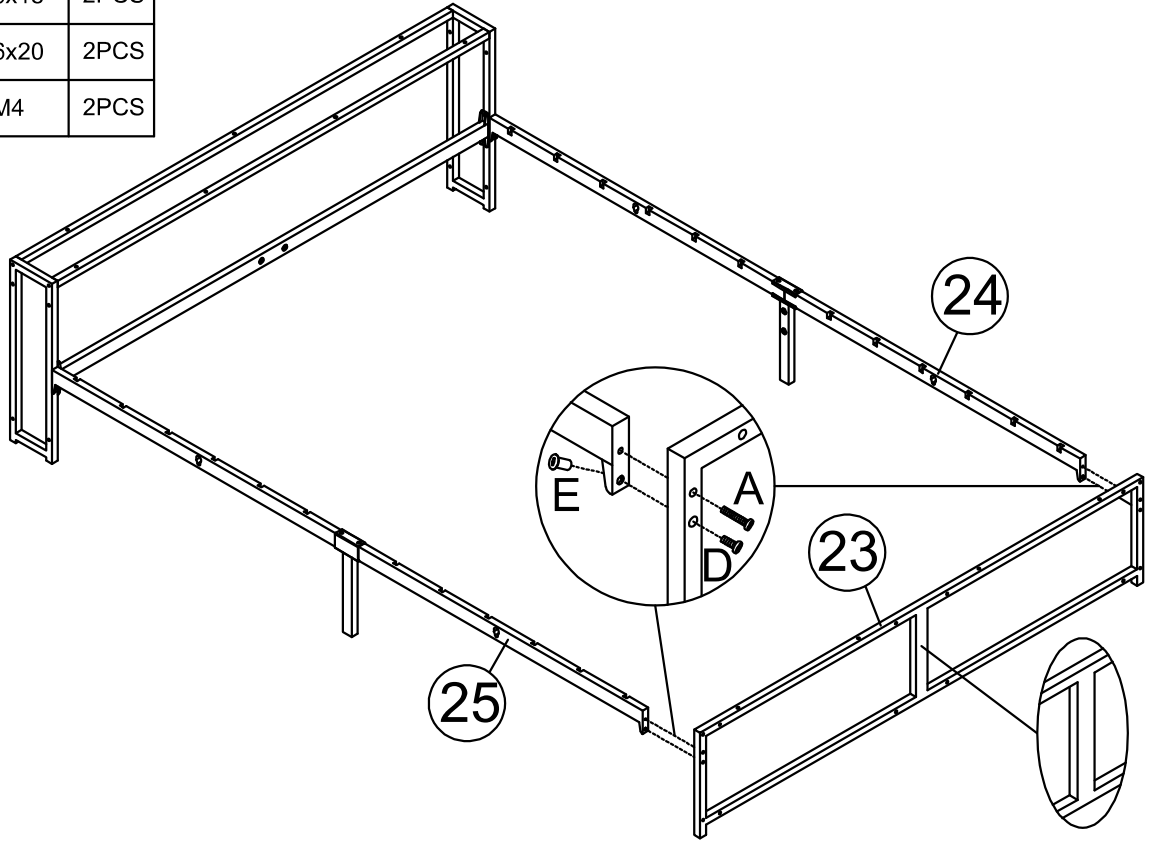
| | | | |
|---|---|-------|------|
| A |  | M6x40 | 2PCS |
| D |  | M6x18 | 2PCS |
| E |  | M6x20 | 2PCS |
| S |  | M4 | 2PCS |

"Note: Make sure to follow the correct installation direction for parts."






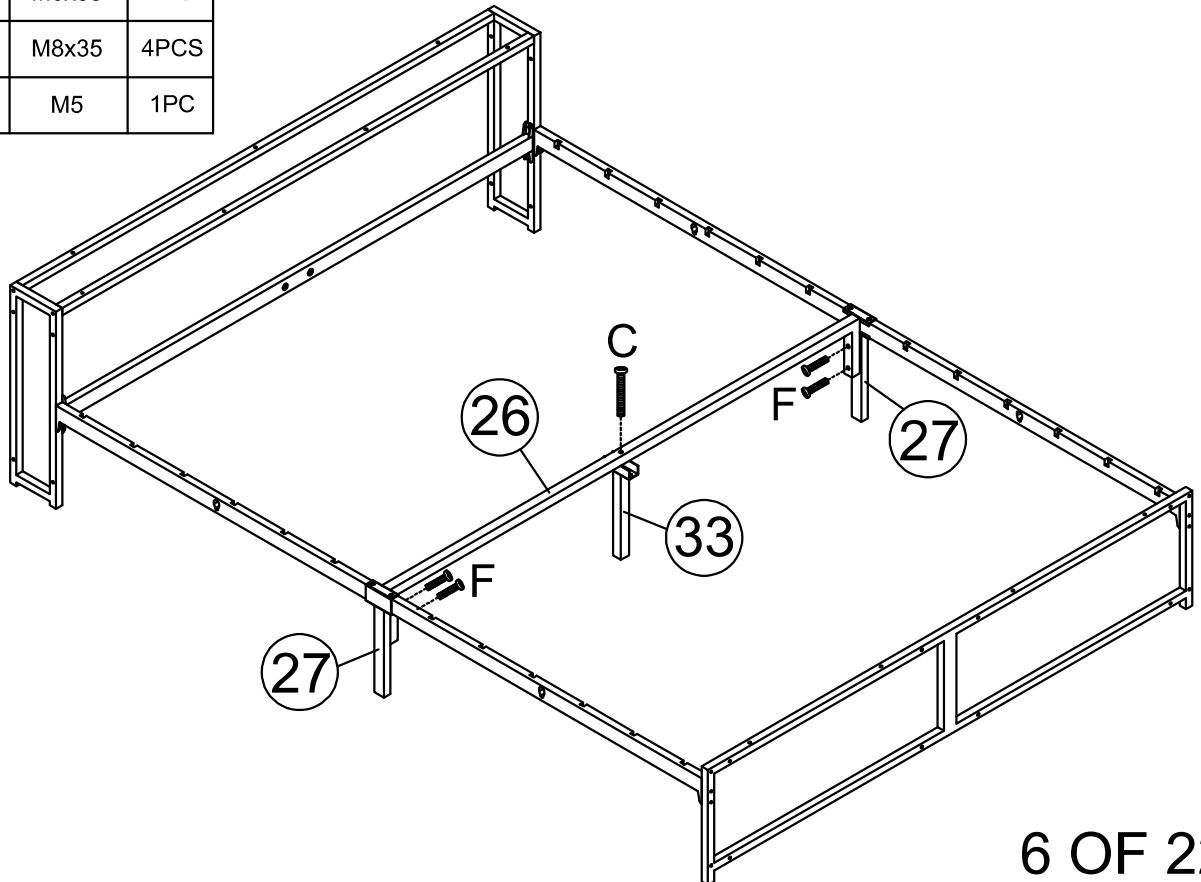
Step 5

| | | | |
|---|---|-------|------|
| A |  | M6x40 | 2PCS |
| D |  | M6x18 | 2PCS |
| E |  | M6x20 | 2PCS |
| S |  | M4 | 2PCS |


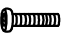


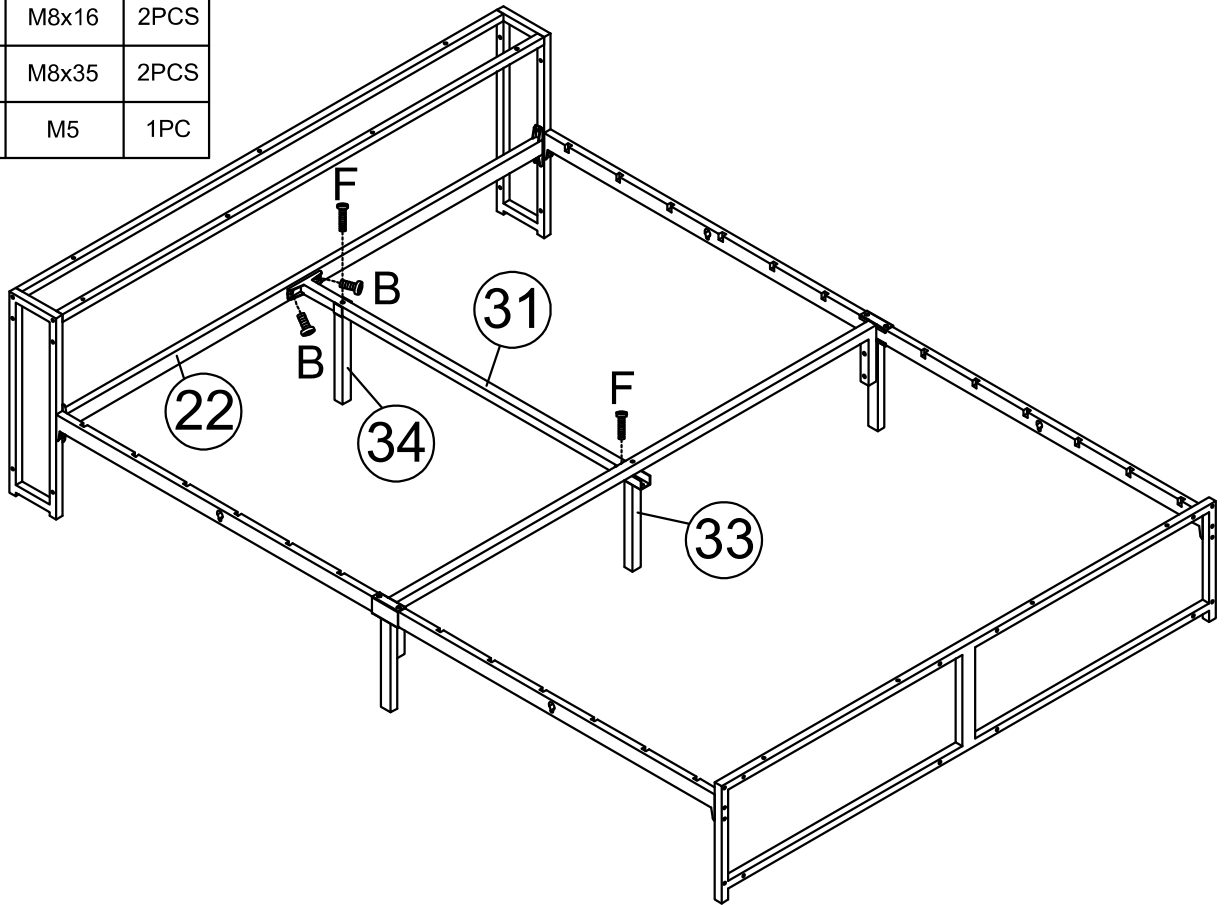
Step 6

| | | | |
|---|---|-------|------|
| C |  | M8x55 | 1PC |
| F |  | M8x35 | 4PCS |
| T |  | M5 | 1PC |






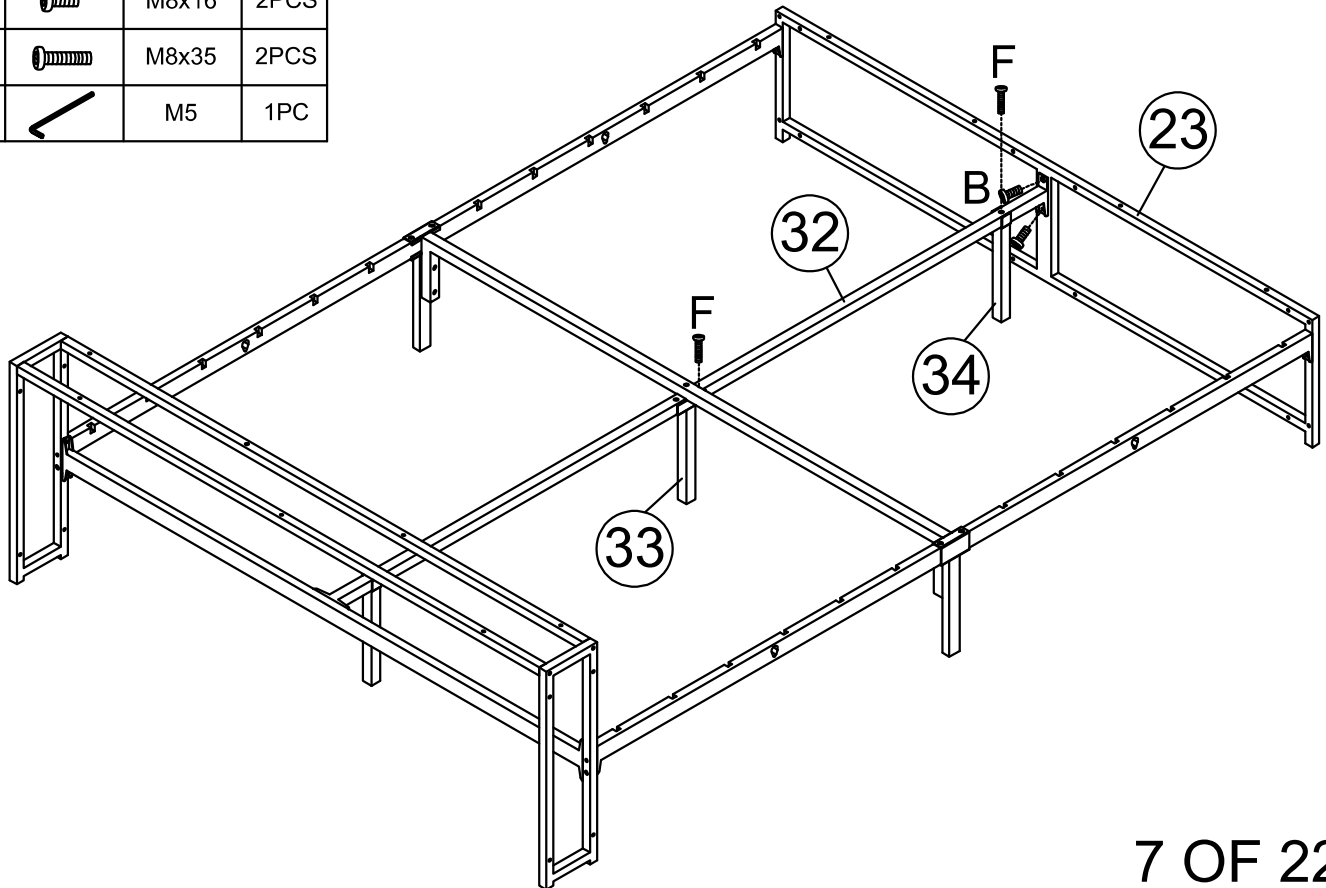
Step 7

| | | | |
|---|---|-------|------|
| B |  | M8x16 | 2PCS |
| F |  | M8x35 | 2PCS |
| T |  | M5 | 1PC |





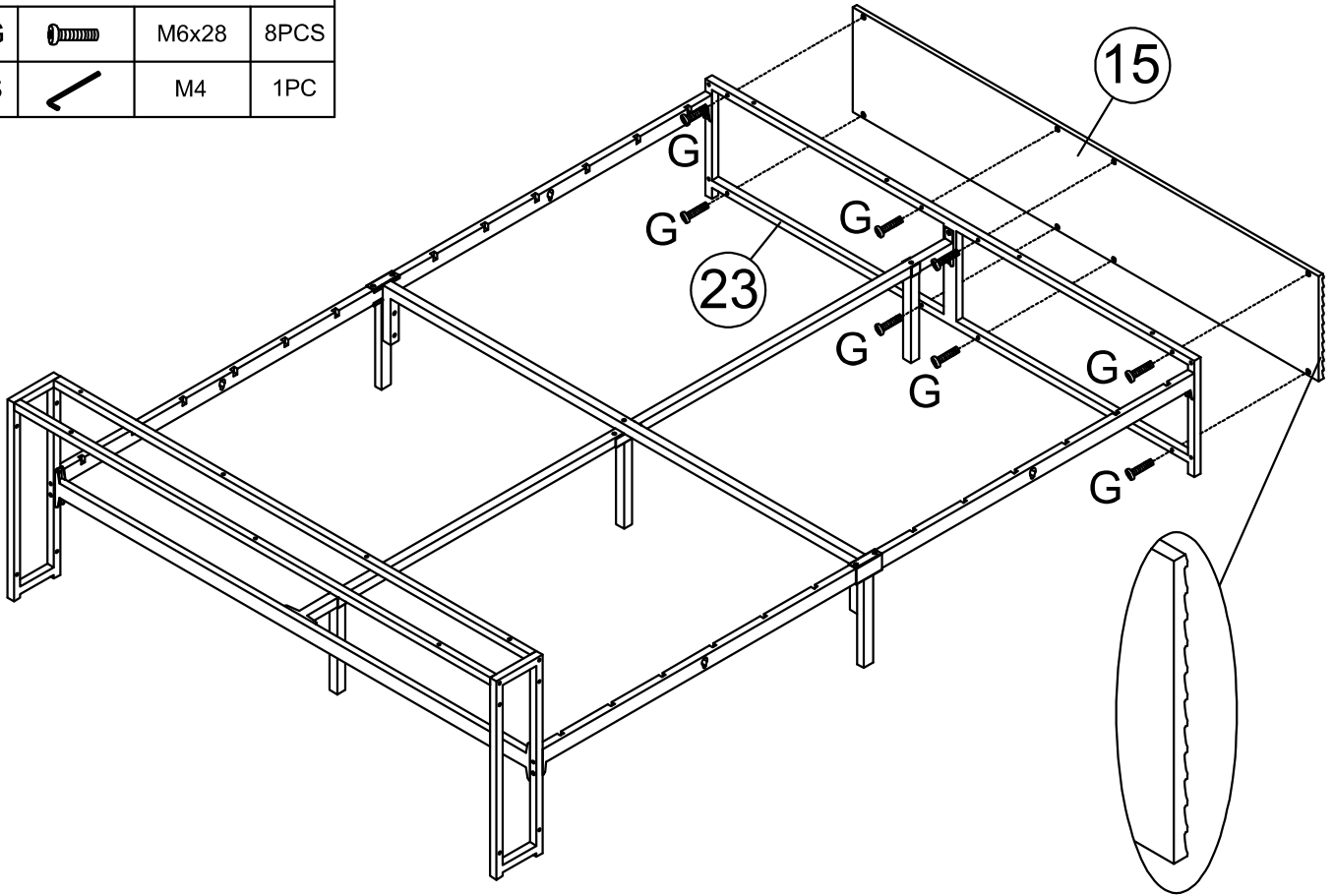
Step 8

| | | | |
|---|---|-------|------|
| B |  | M8x16 | 2PCS |
| F |  | M8x35 | 2PCS |
| T |  | M5 | 1PC |





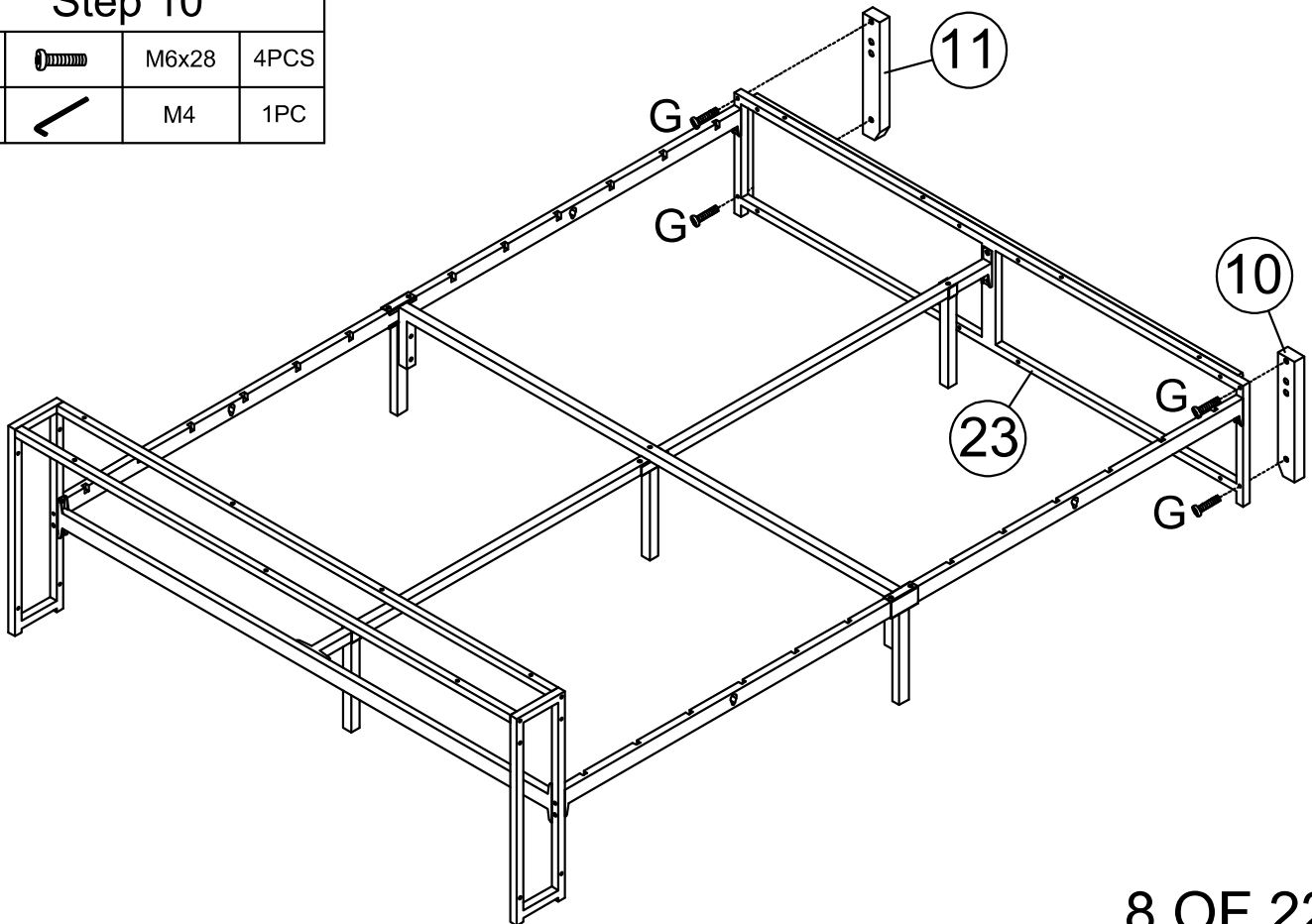
Step 9

| | | | |
|---|---|-------|------|
| G |  | M6x28 | 8PCS |
| S |  | M4 | 1PC |




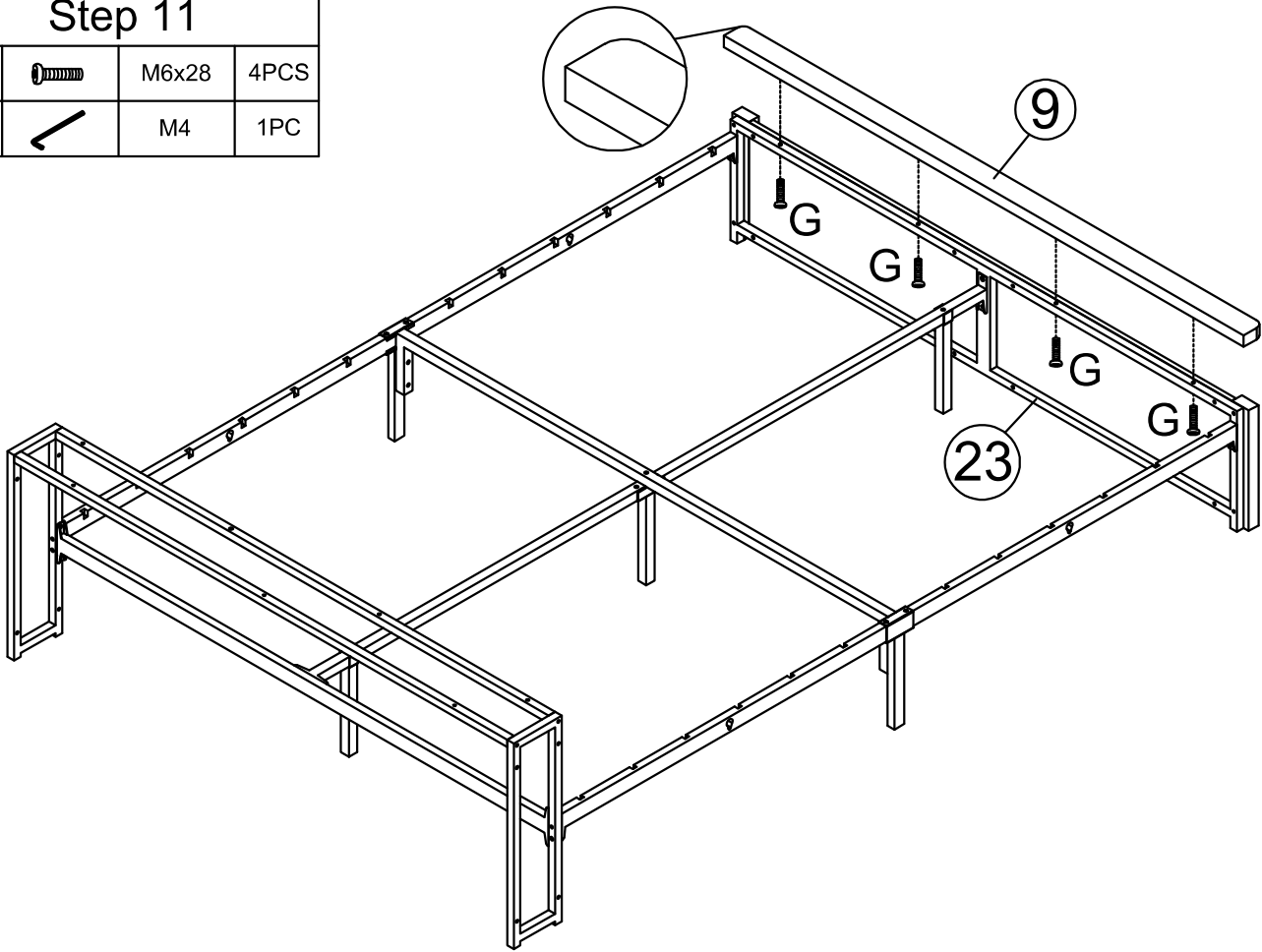
Step 10

| | | | |
|---|---|-------|------|
| G |  | M6x28 | 4PCS |
| S |  | M4 | 1PC |





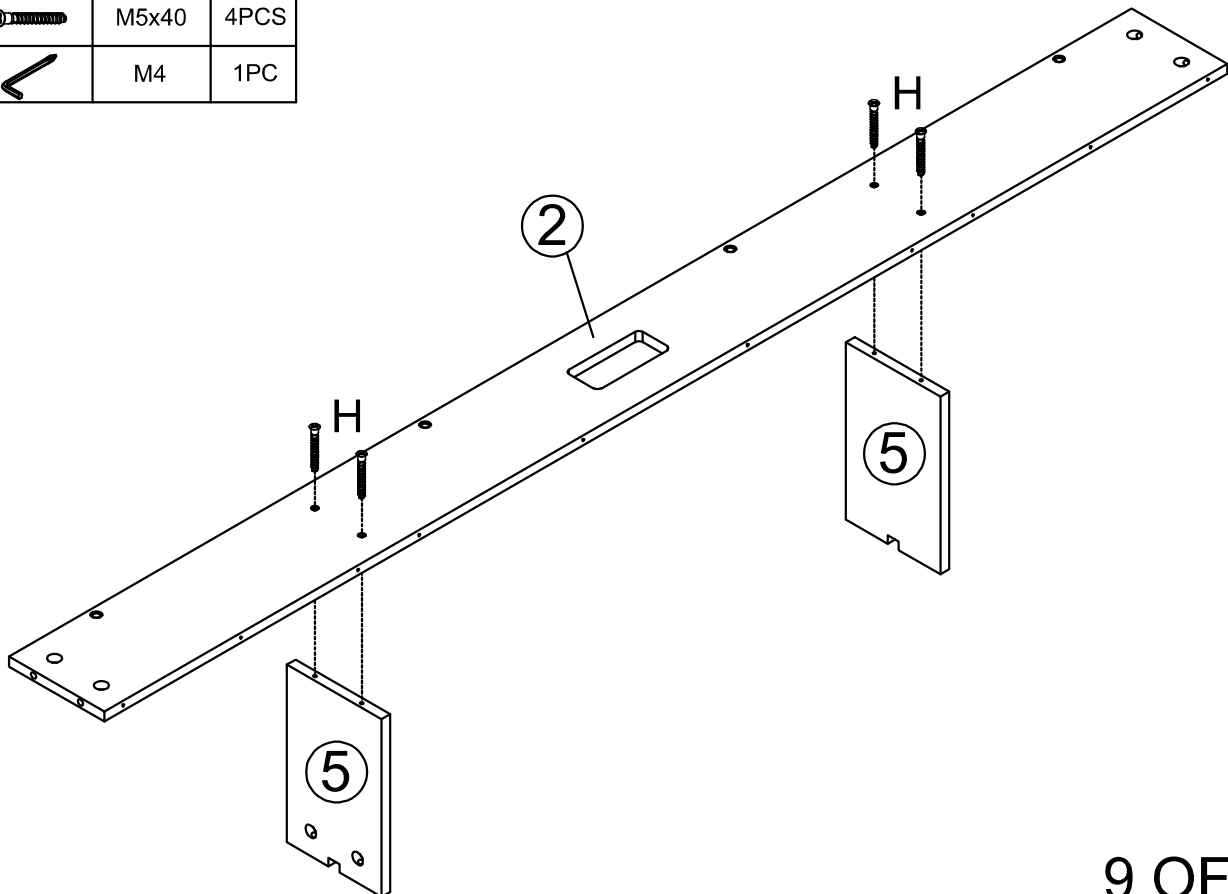
Step 11

| | | | |
|---|---|-------|------|
| G |  | M6x28 | 4PCS |
| S |  | M4 | 1PC |




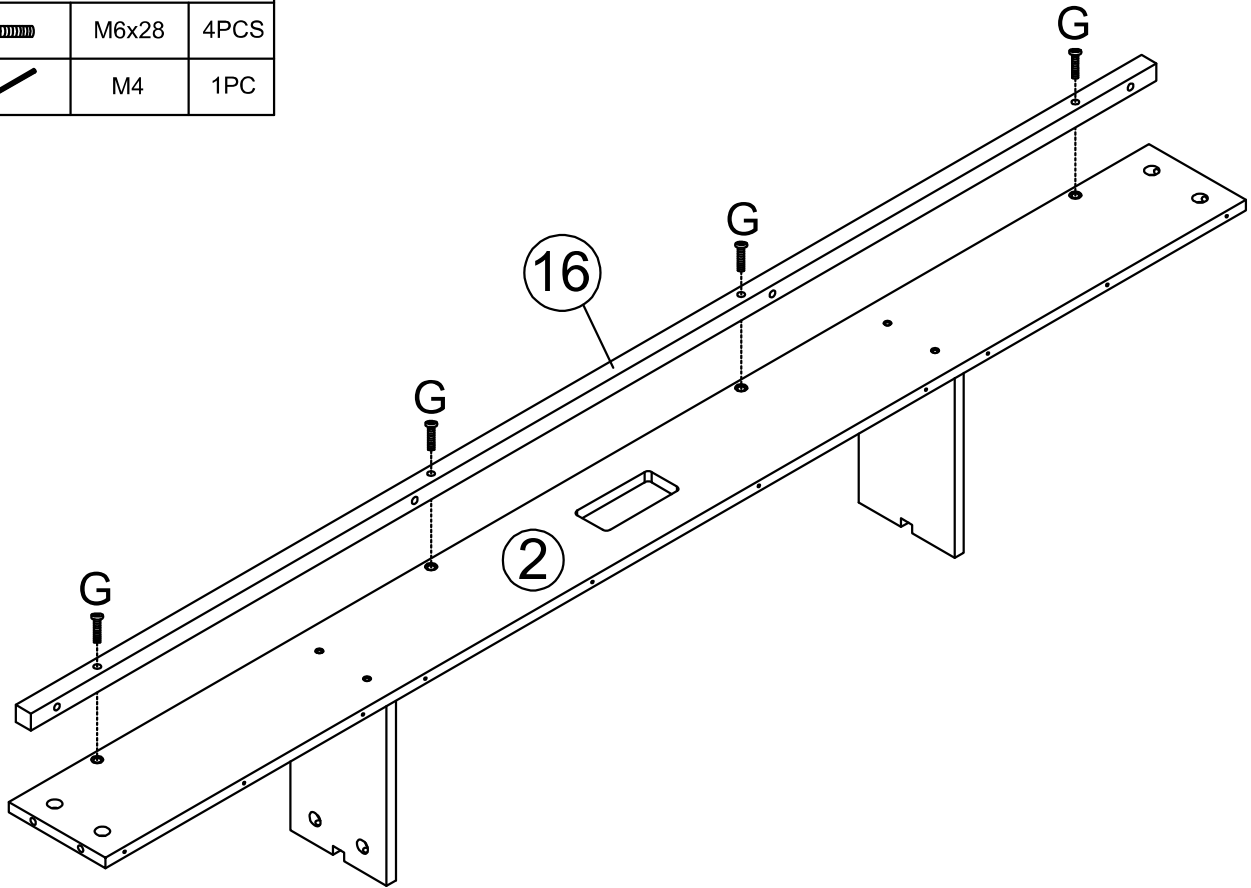
Step 12

| | | | |
|---|---|-------|------|
| H |  | M5x40 | 4PCS |
| V |  | M4 | 1PC |





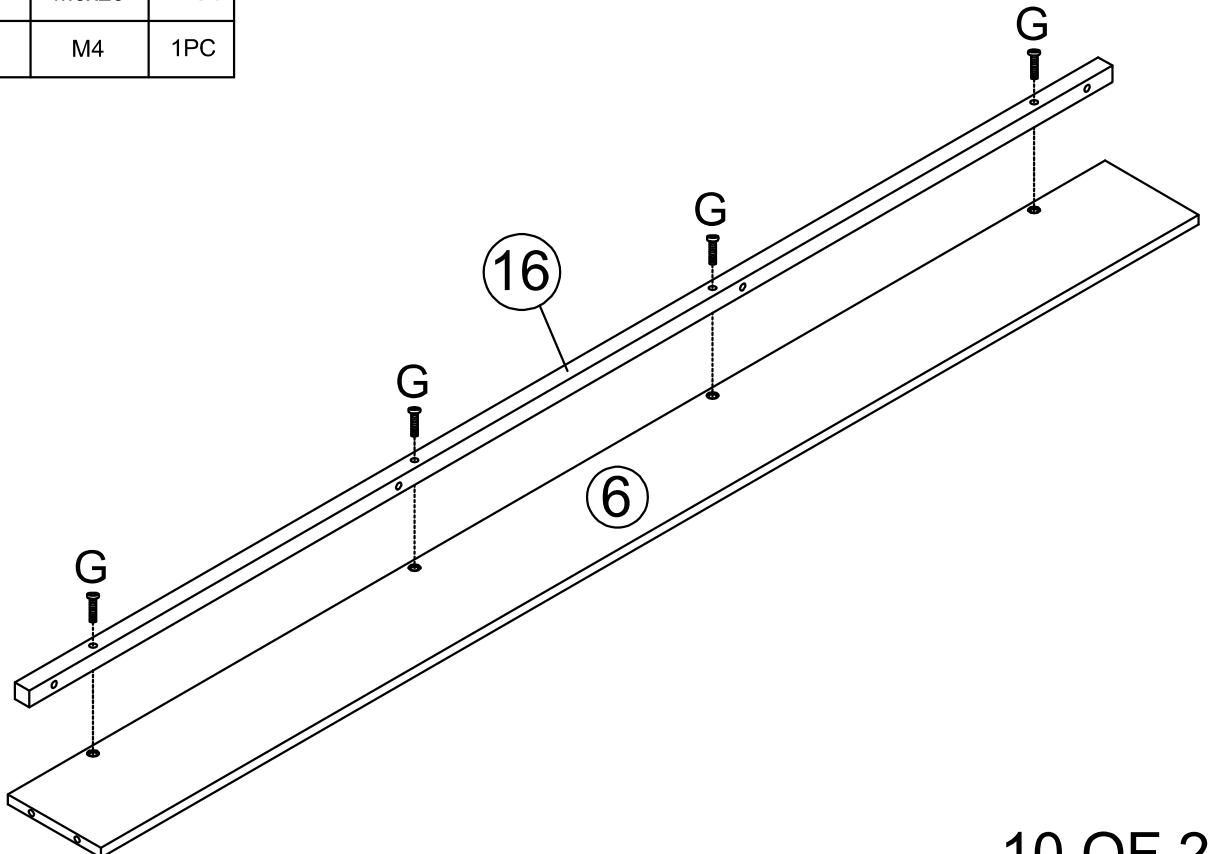
Step 13

| | | | |
|---|---|-------|------|
| G |  | M6x28 | 4PCS |
| S |  | M4 | 1PC |





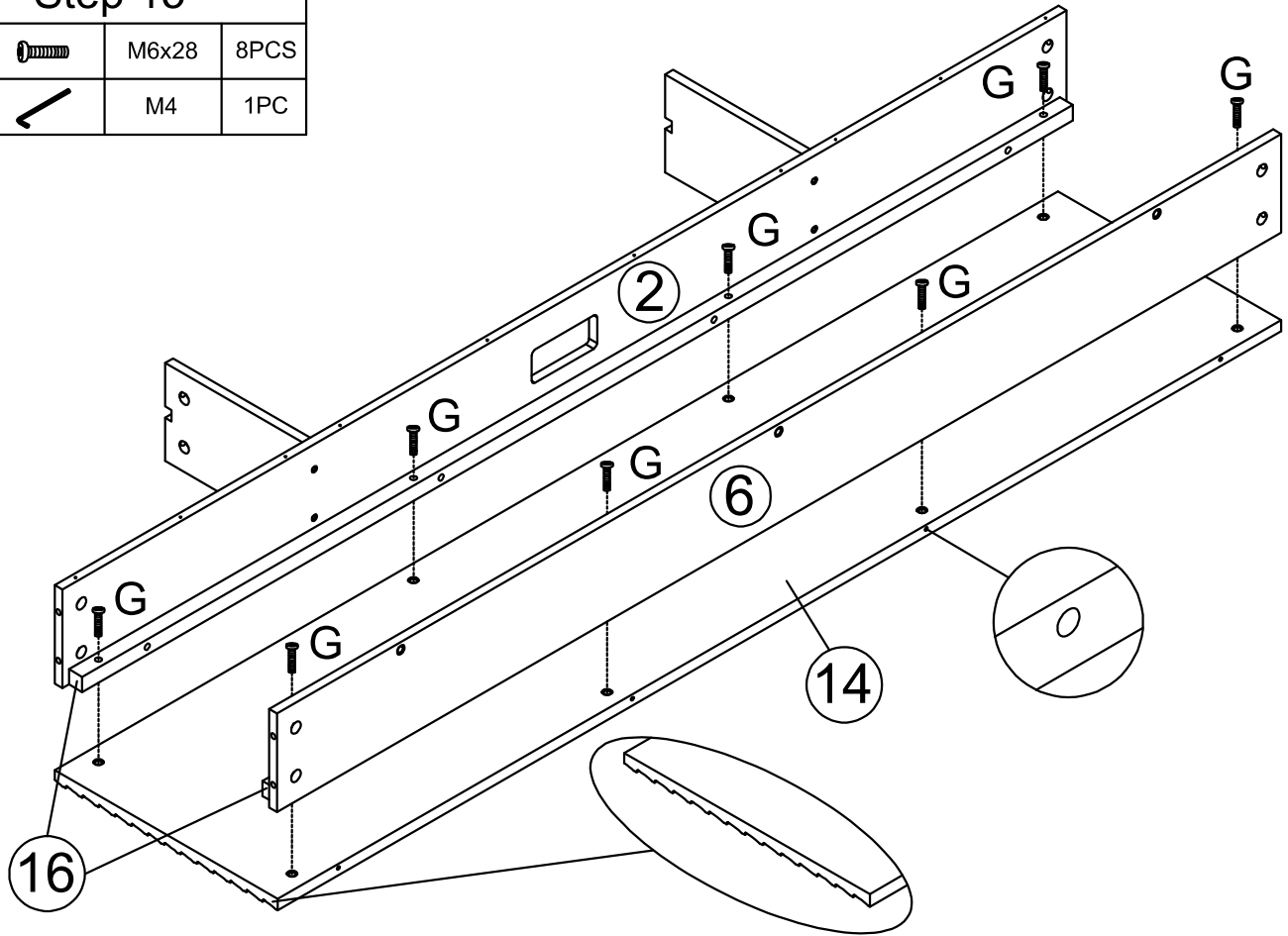
Step 14

| | | | |
|---|---|-------|------|
| G |  | M6x28 | 4PCS |
| S |  | M4 | 1PC |

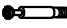



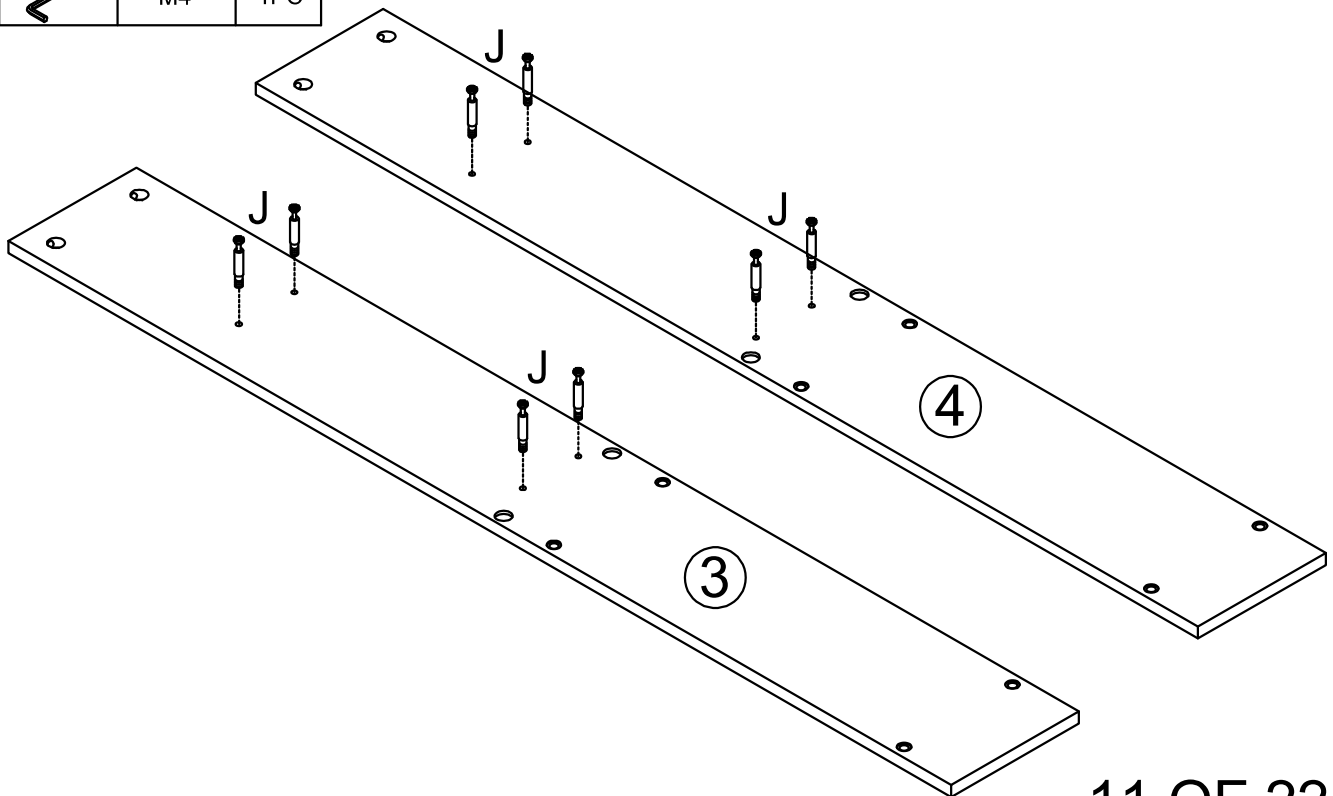
Step 15

| | | | |
|---|---|-------|------|
| G |  | M6x28 | 8PCS |
| S |  | M4 | 1PC |





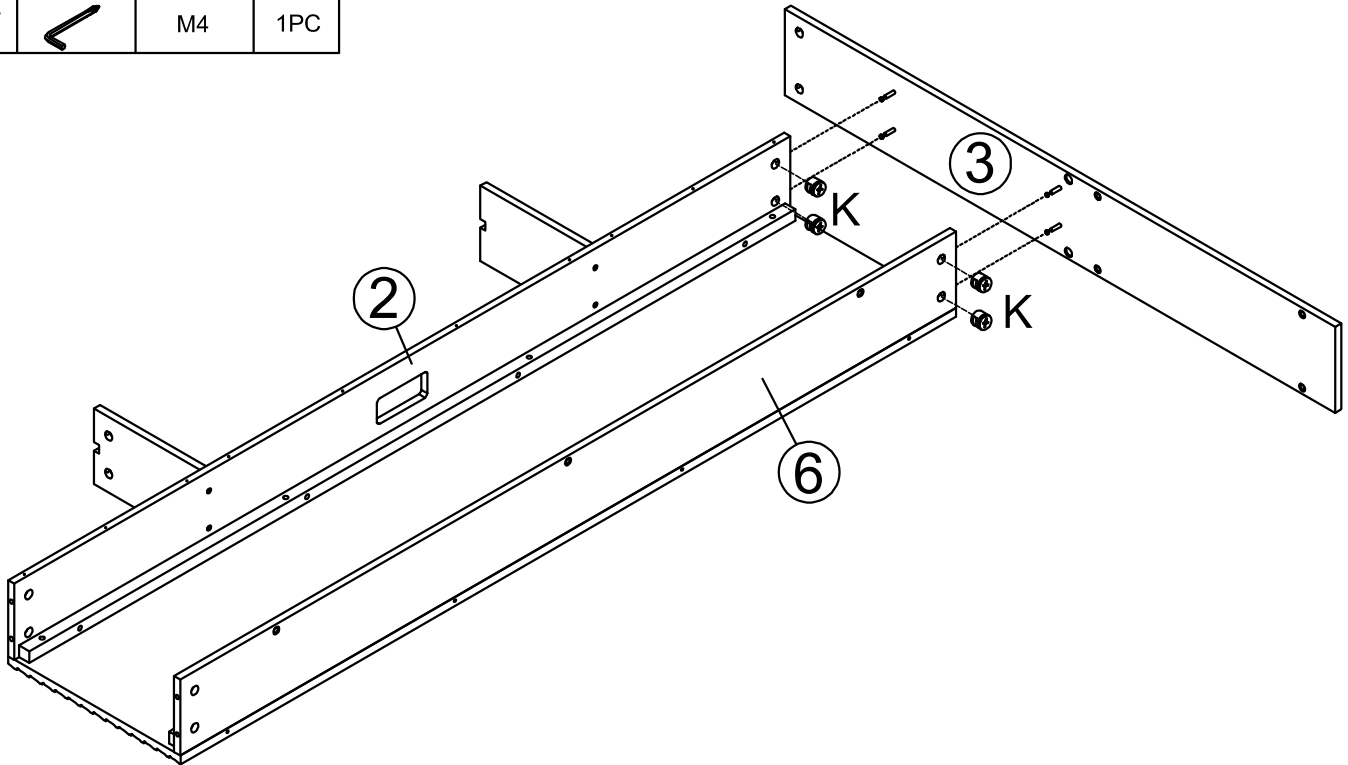
Step 16

| | | | |
|---|---|----|------|
| J |  | | 8PCS |
| V |  | M4 | 1PC |







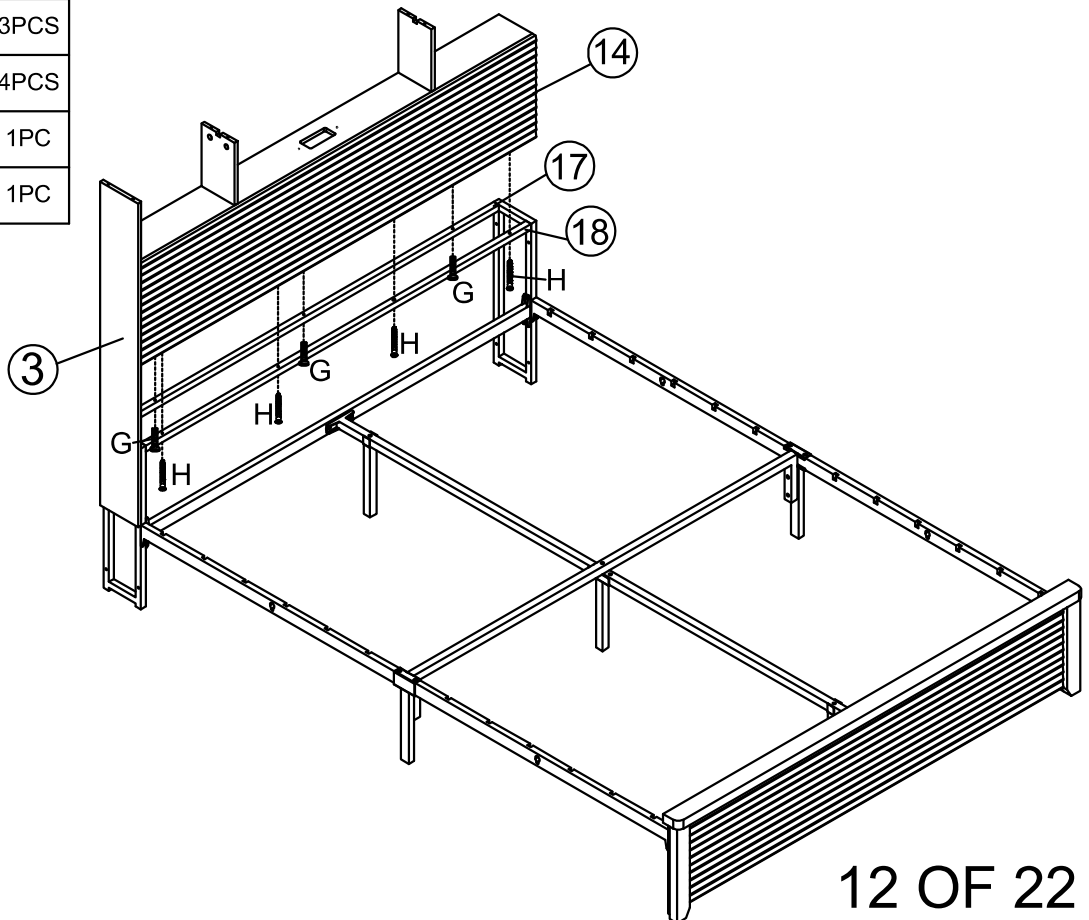
Step 17

| | | | |
|---|---|----|------|
| K |  | | 4PCS |
| V |  | M4 | 1PC |





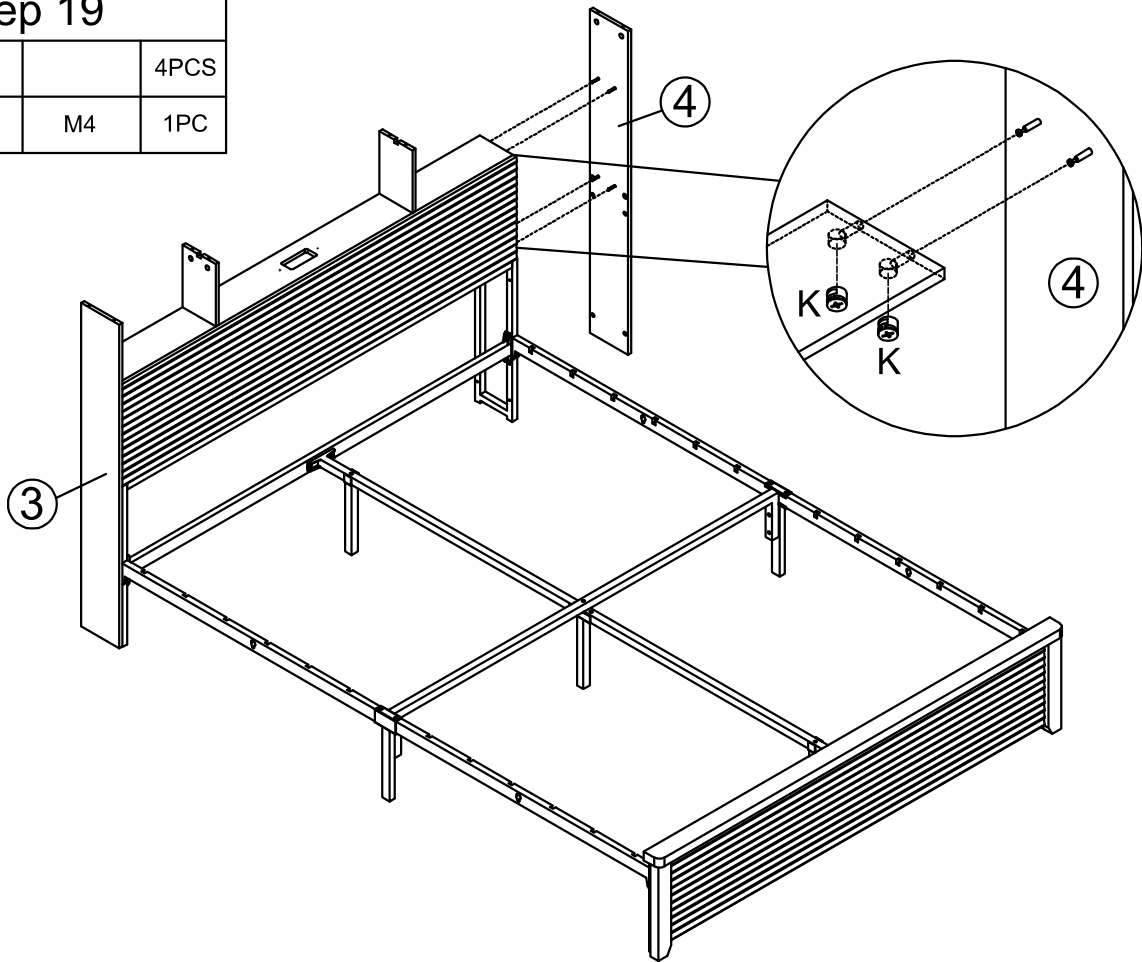
Step 18

| | | | |
|---|---|-------|------|
| G |  | M6x28 | 3PCS |
| H |  | M5x40 | 4PCS |
| S |  | M4 | 1PC |
| V |  | M4 | 1PC |





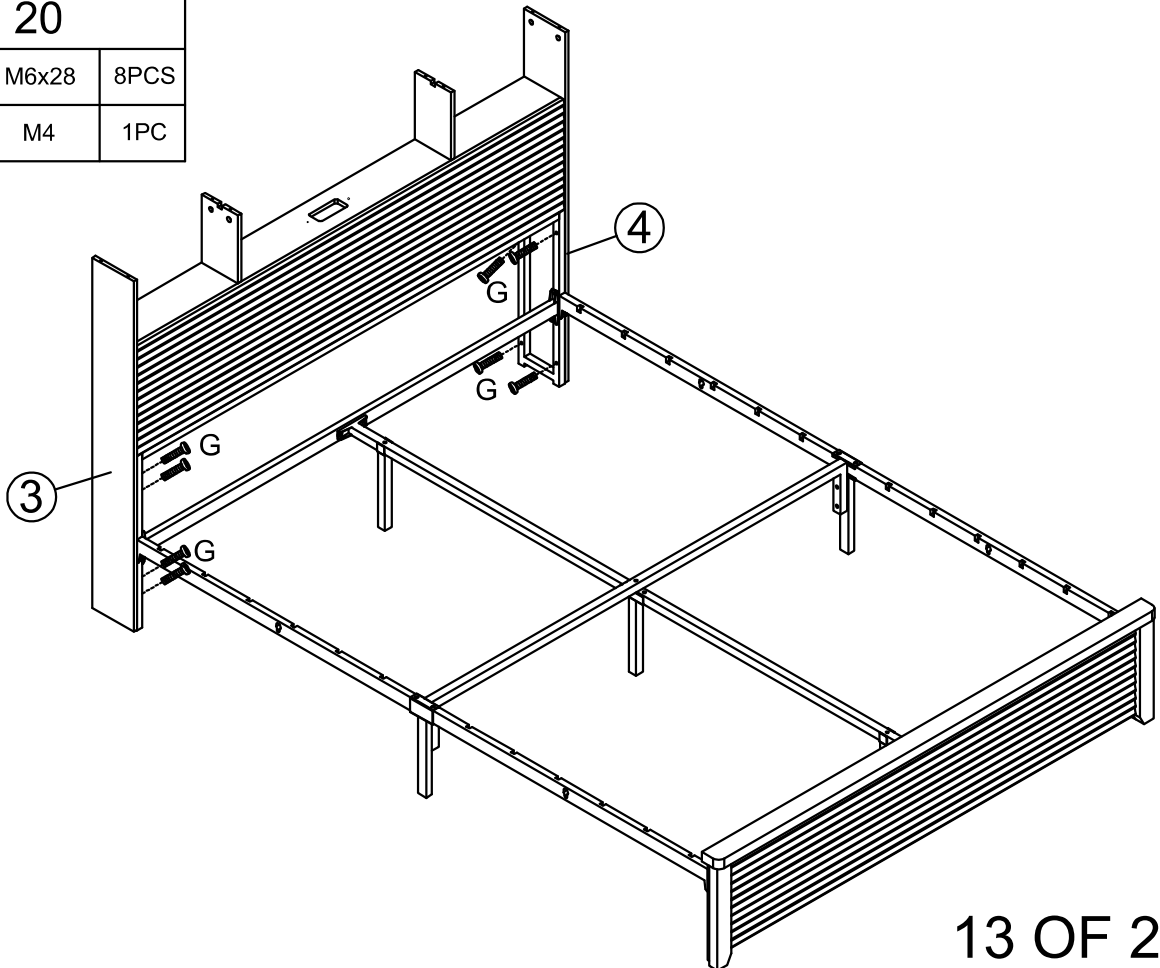
Step 19

| | | | |
|---|---|----|------|
| K |  | | 4PCS |
| V |  | M4 | 1PC |






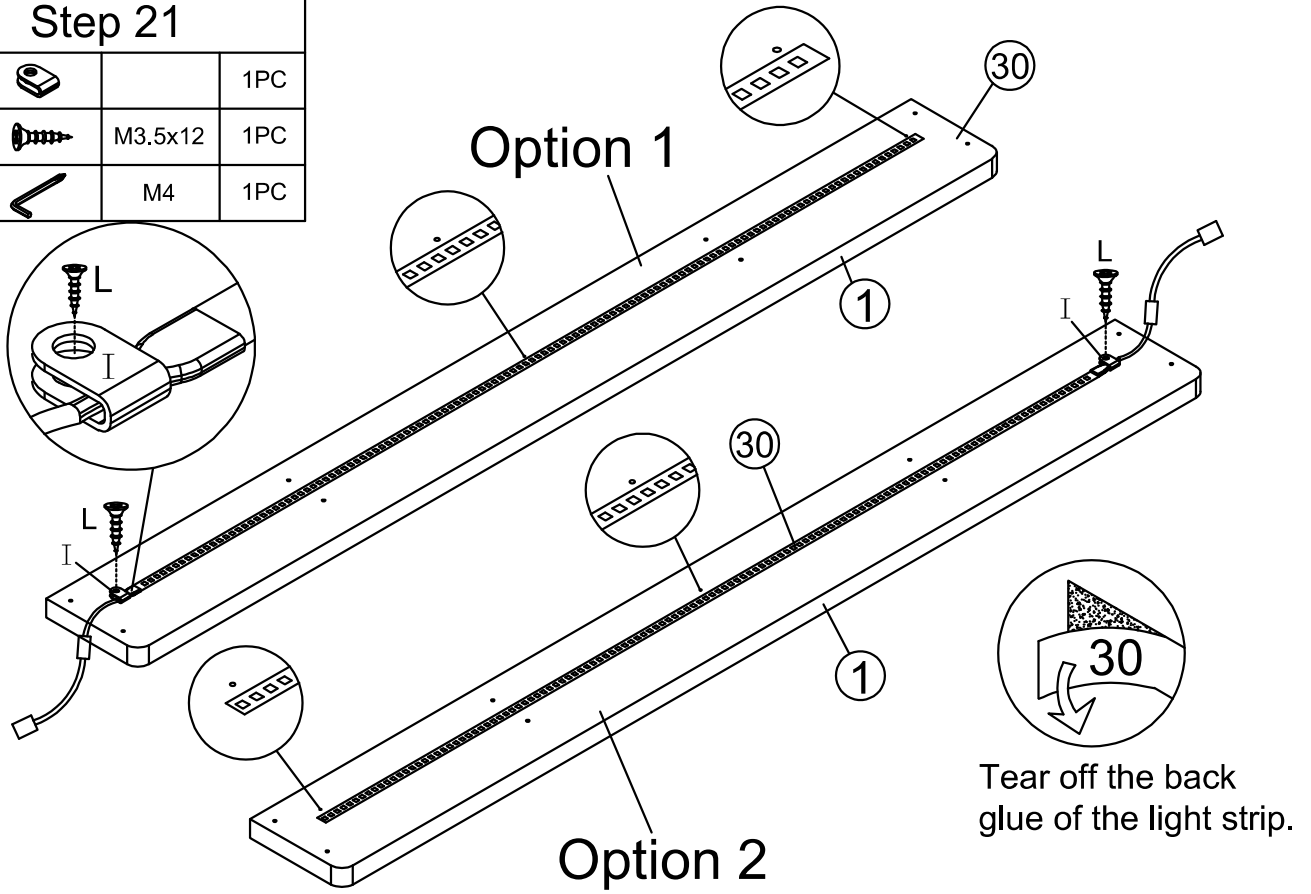
Step 20

| | | | |
|---|---|-------|------|
| G |  | M6x28 | 8PCS |
| W |  | M4 | 1PC |





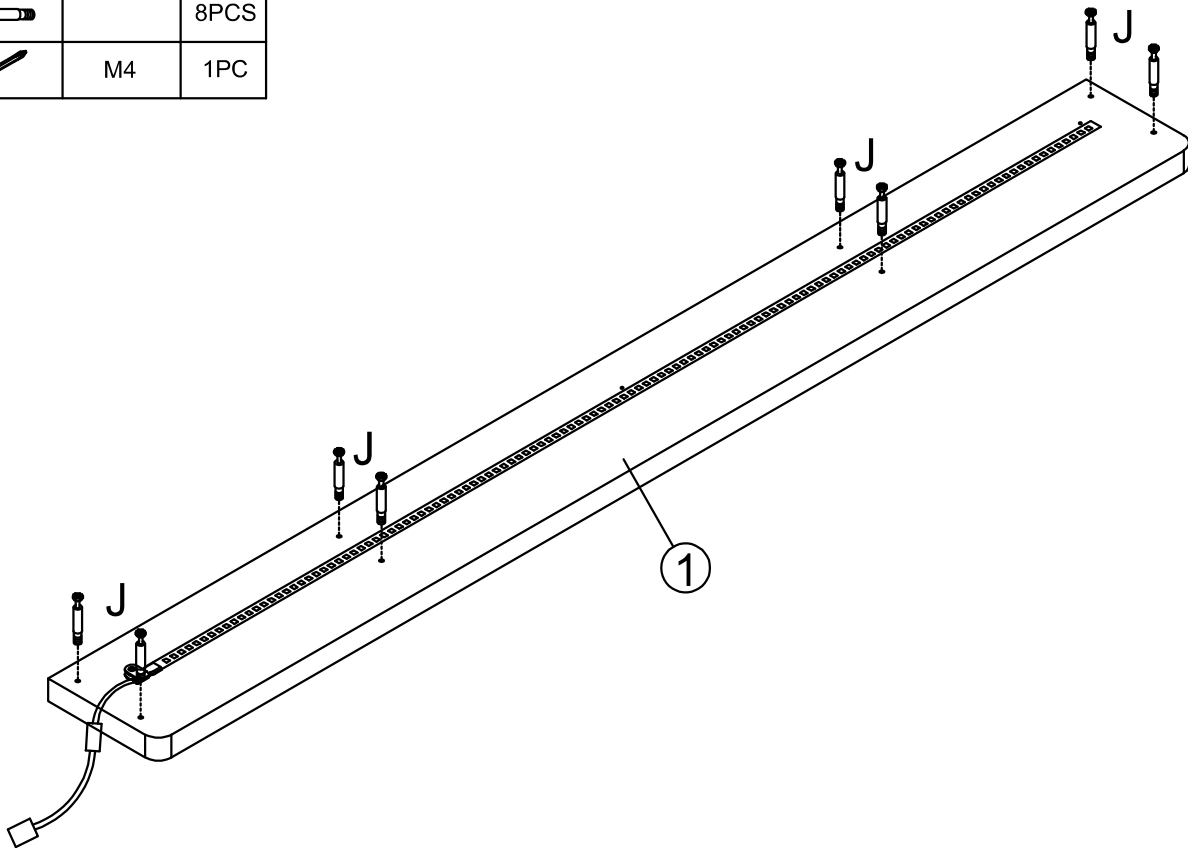
Step 21

| | | | |
|---|---|---------|-----|
| I |  | | 1PC |
| L |  | M3.5x12 | 1PC |
| V |  | M4 | 1PC |






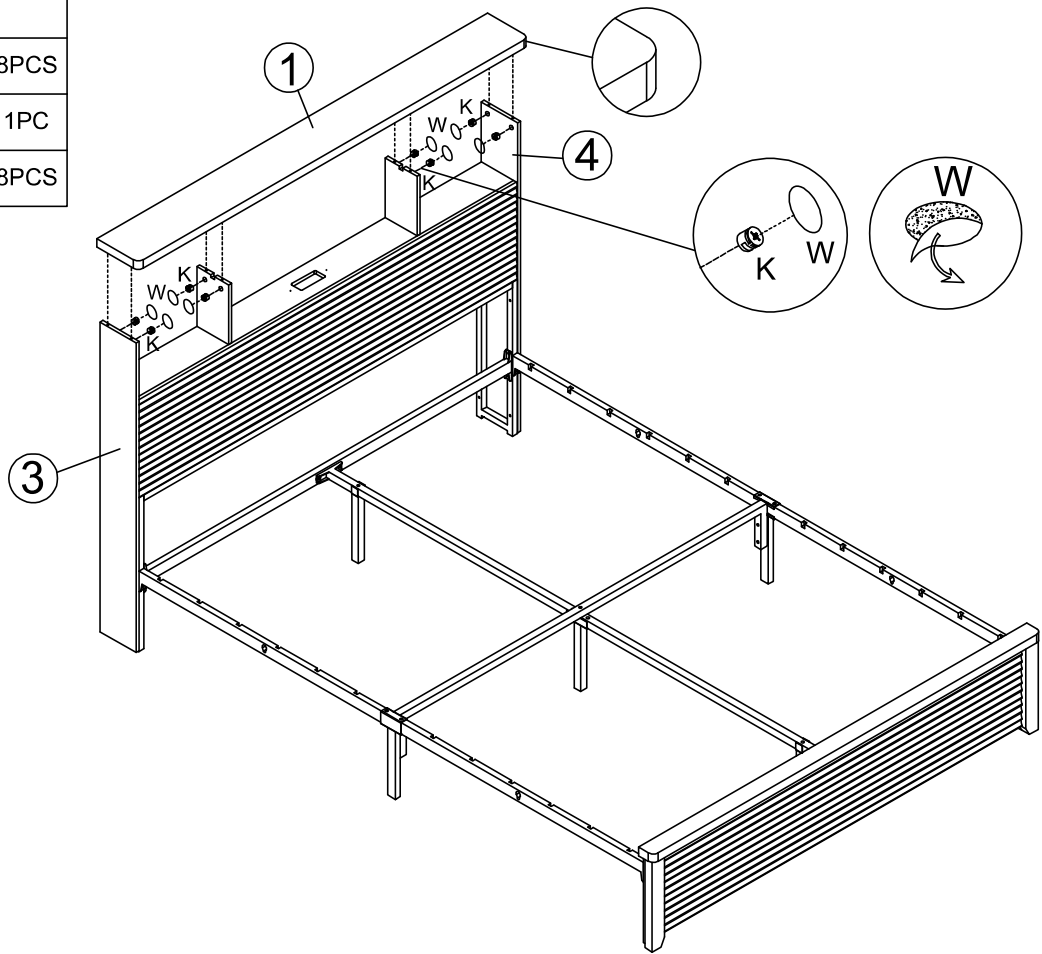
Step 22

| | | | |
|---|---|----|------|
| J |  | | 8PCS |
| V |  | M4 | 1PC |





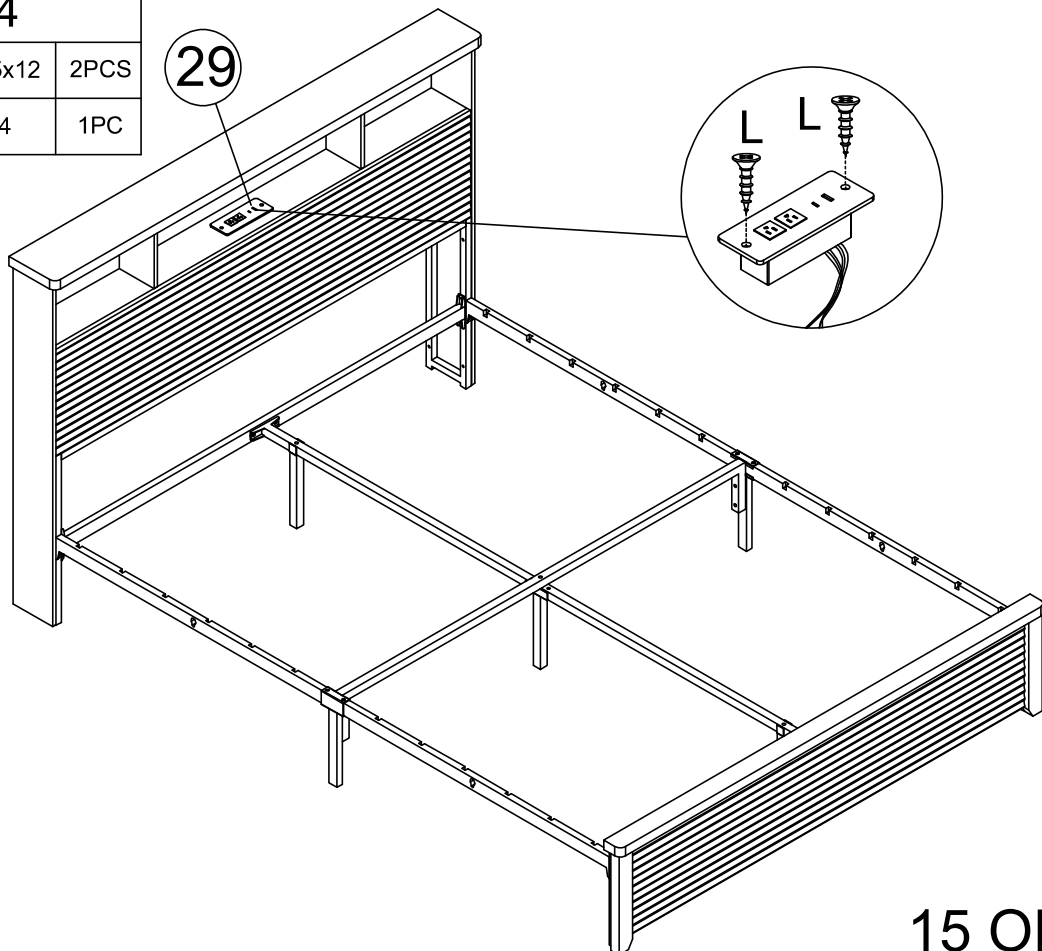
Step 23

| | | | |
|---|---|----|------|
| K |  | | 8PCS |
| V |  | M4 | 1PC |
| W |  | | 8PCS |





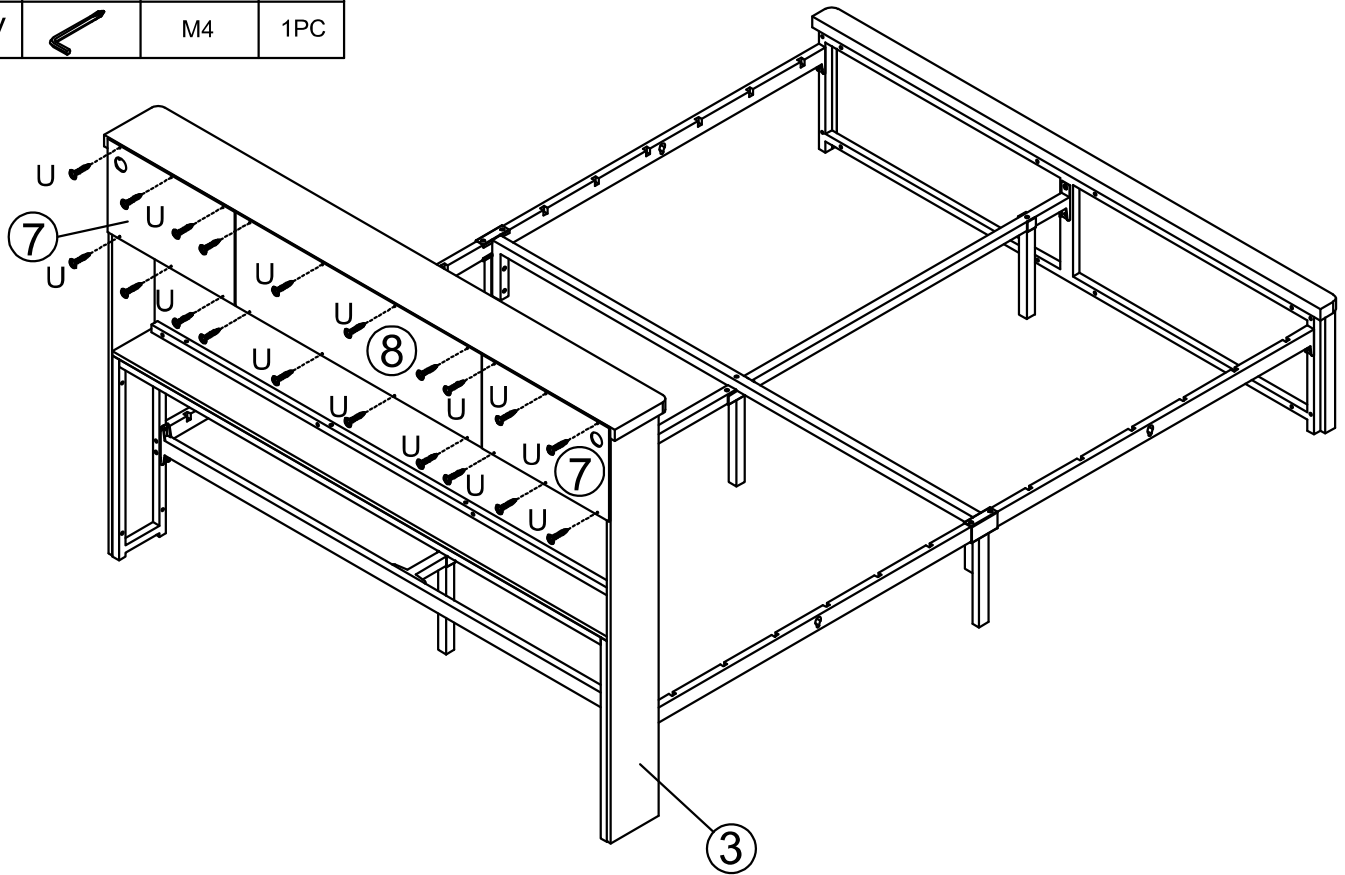
Step 24

| | | | |
|---|---|---------|------|
| L |  | M3.5x12 | 2PCS |
| V |  | M4 | 1PC |





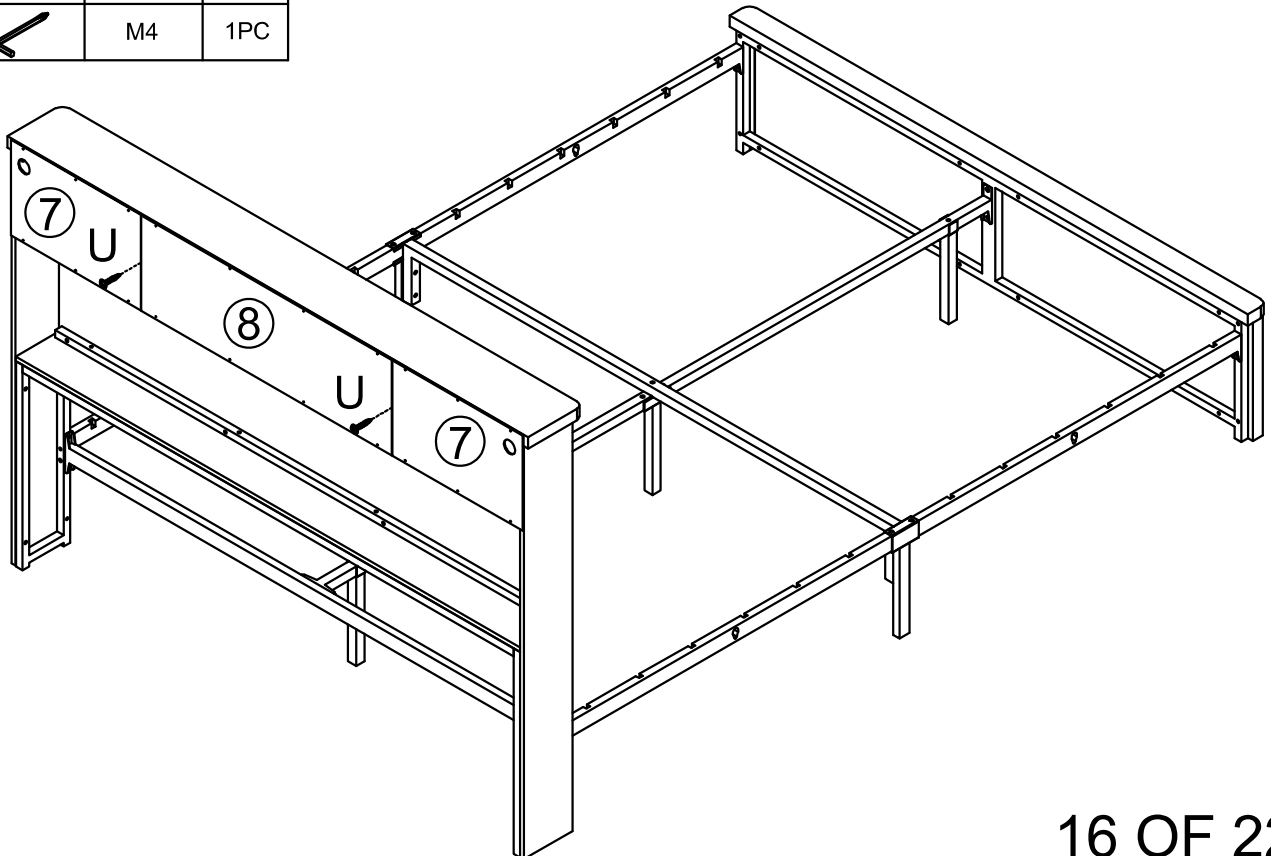
Step 25

| | | | |
|---|---|---------|-------|
| U |  | M3.5x12 | 20PCS |
| V |  | M4 | 1PC |

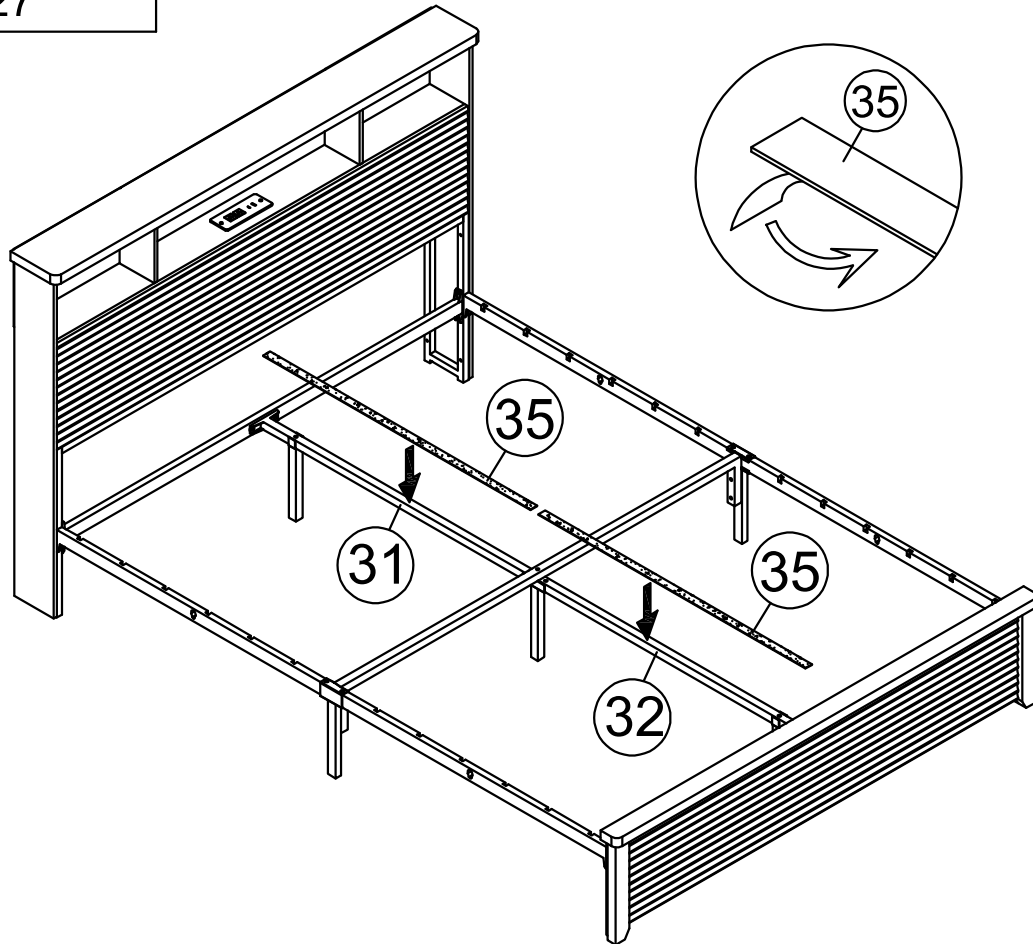


Step 26

| | | | |
|---|---|---------|------|
| U |  | M3.5x12 | 2PCS |
| V |  | M4 | 1PC |

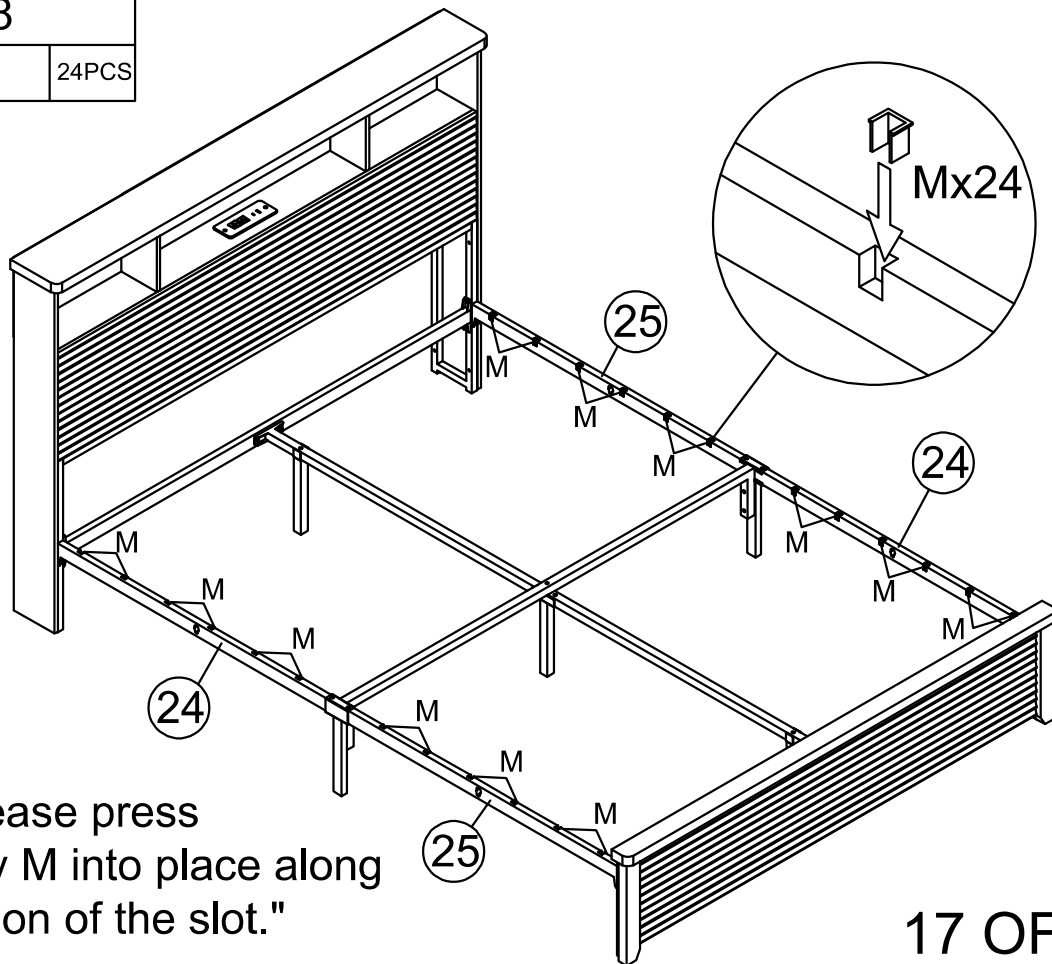


Step 27



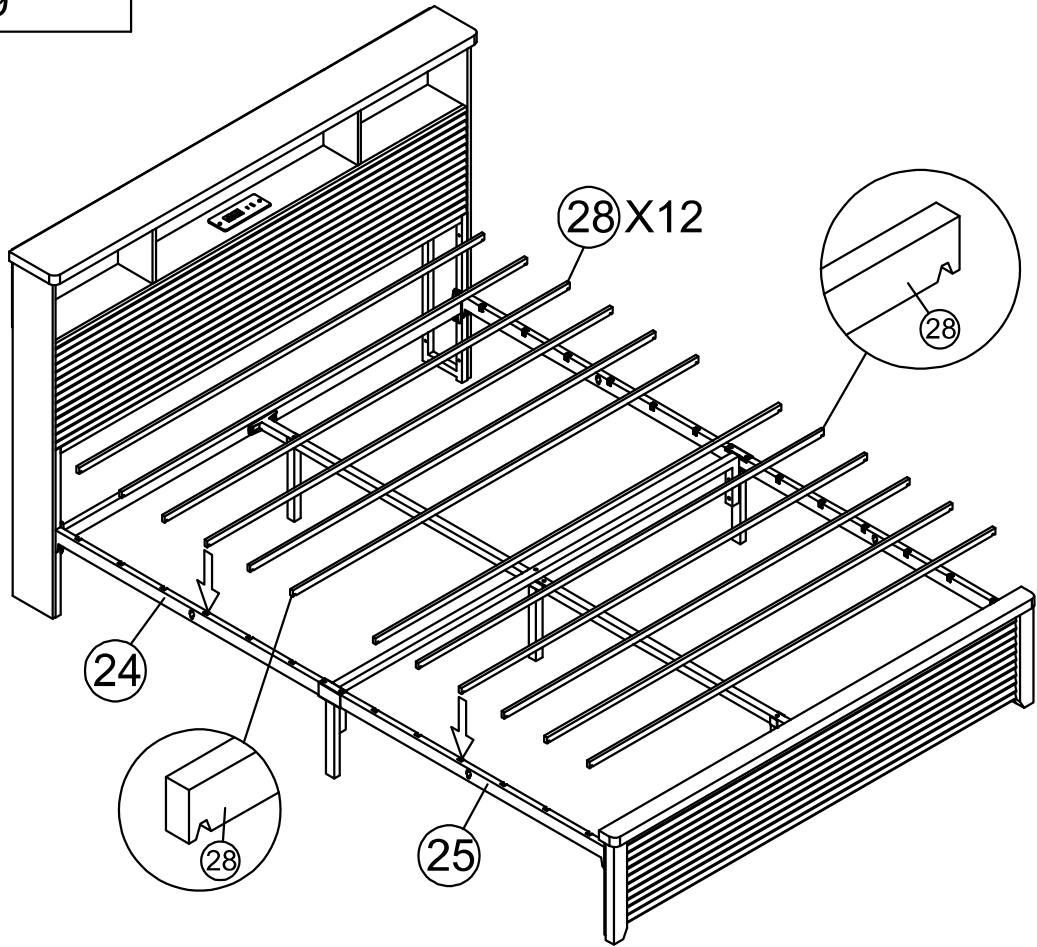
Step 28

M  24PCS




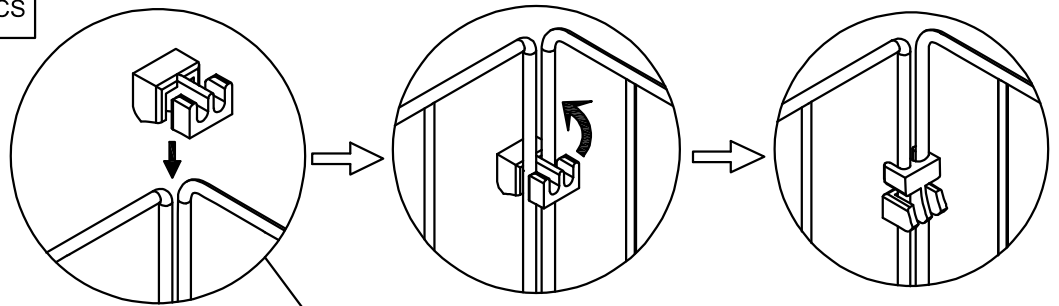
"Note: Please press accessory M into place along the direction of the slot."

Step 29

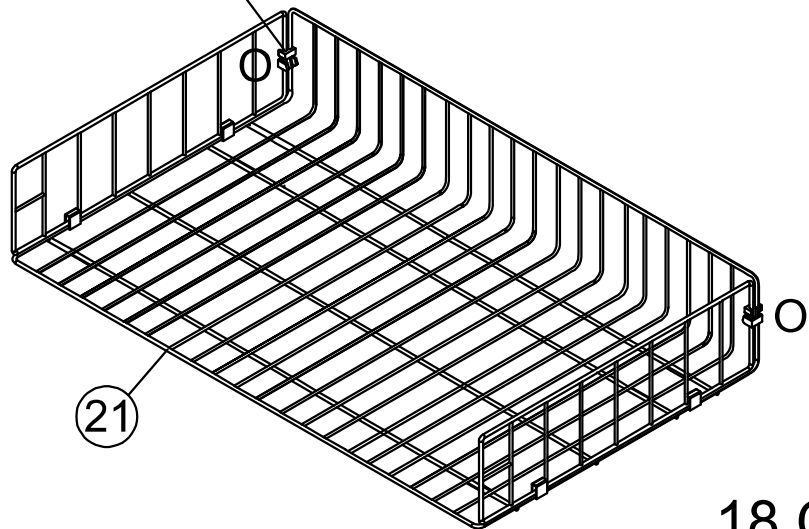


Step 30

○  8PCS



X4



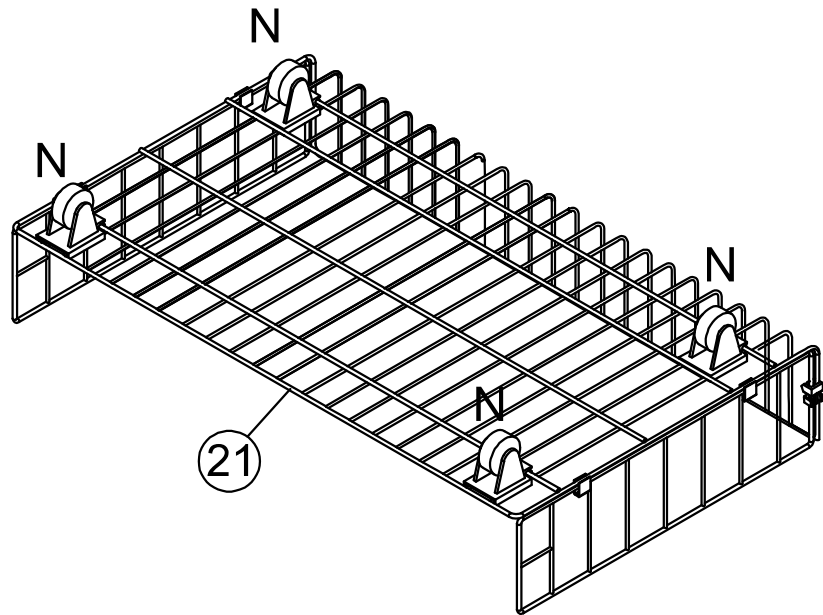
Step 31

N

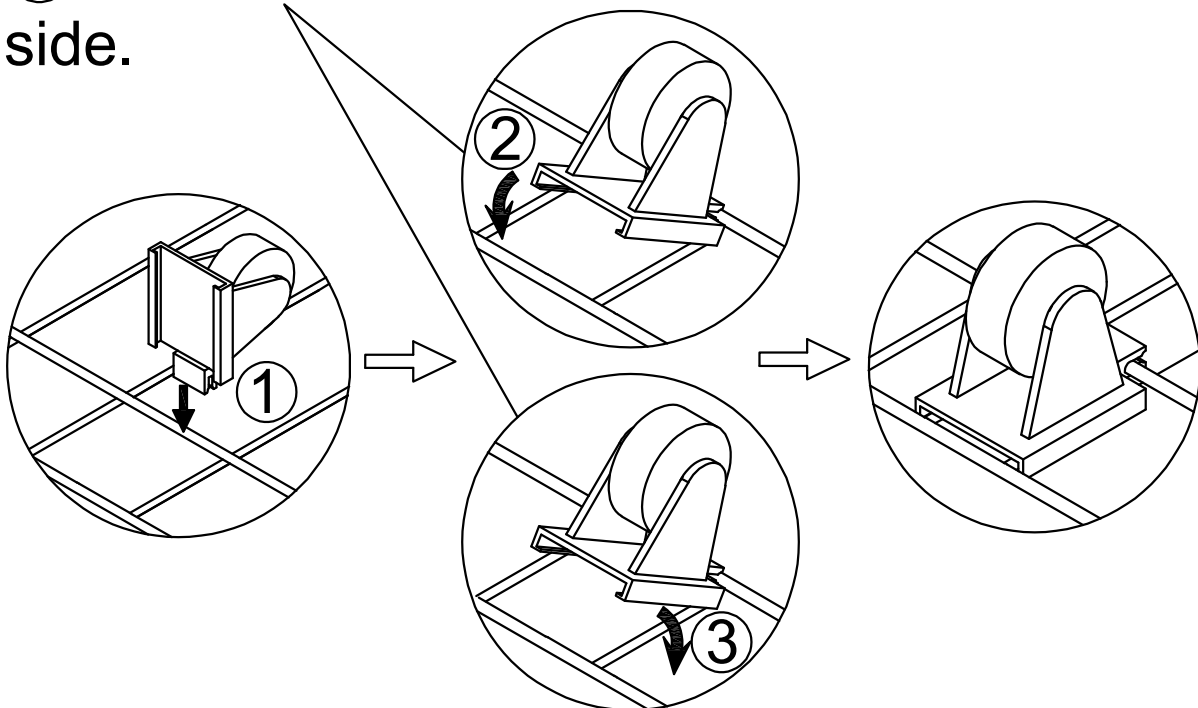


16PCS





X4

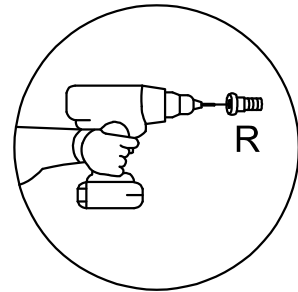
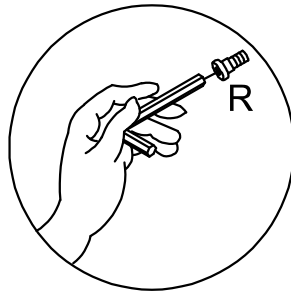
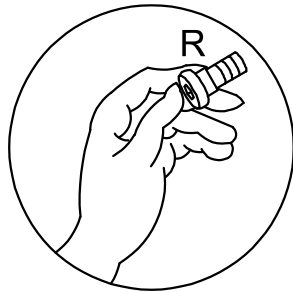
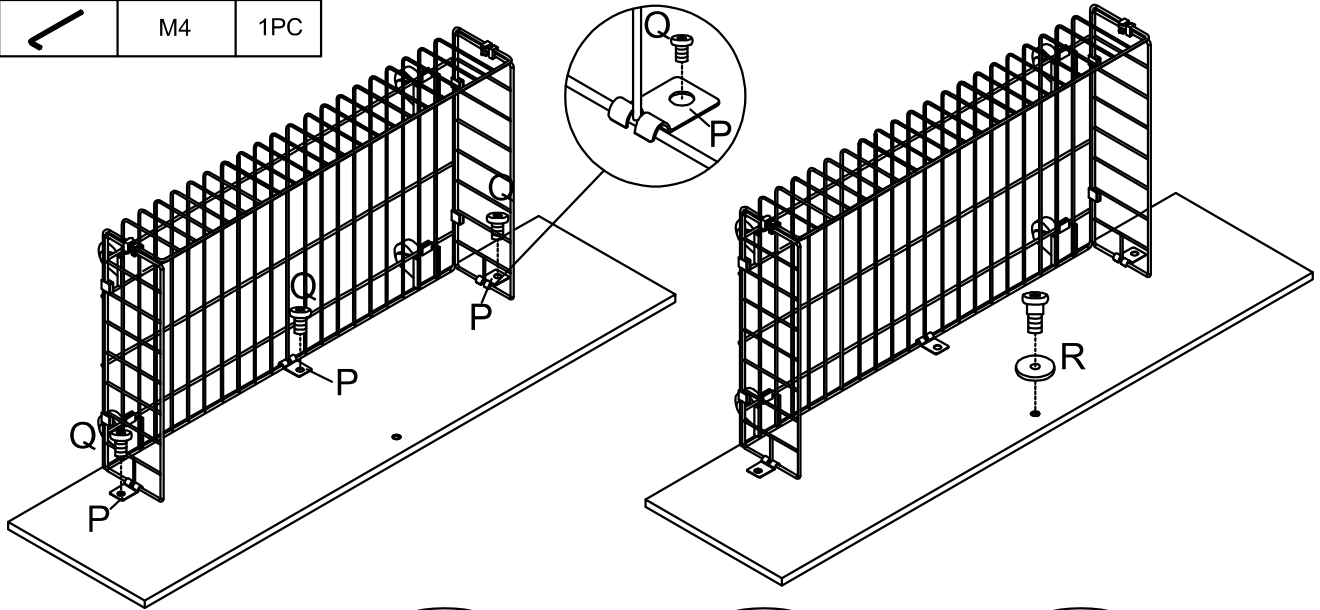


Attention: ② make sure plastic slot stuck into one side of the tube firstly, and ③ then to stuck into another side.

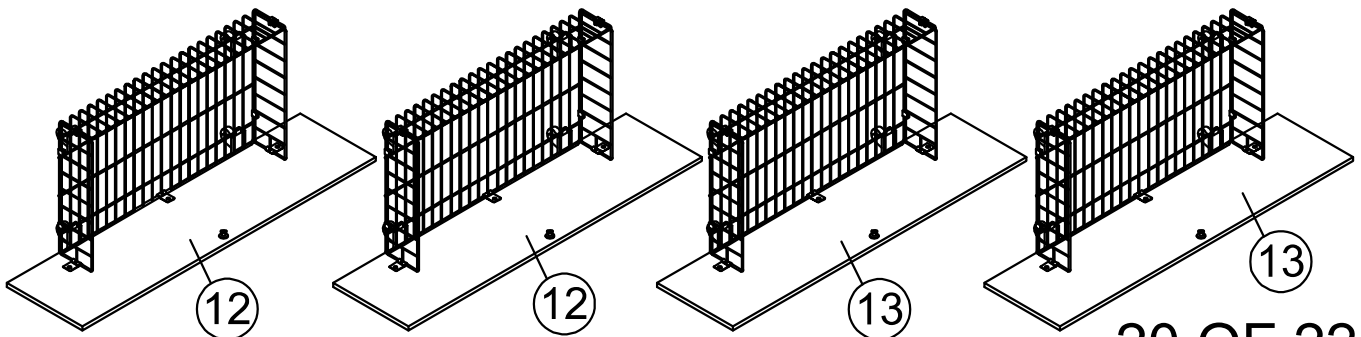
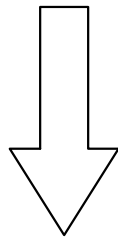


Step 32

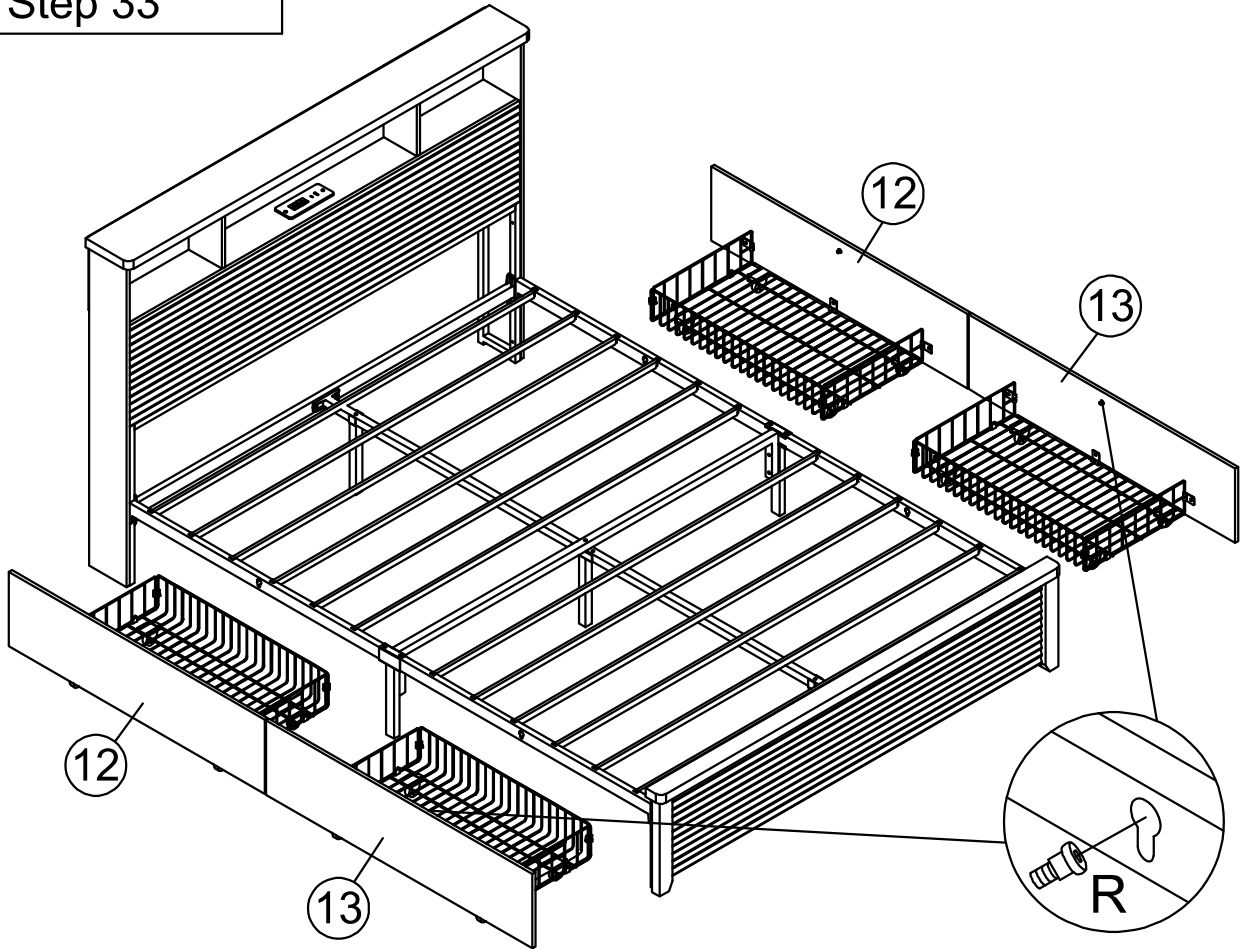
| | | | |
|---|---|-------|-------|
| Q |  | M6x10 | 12PCS |
| P |  | | 12PCS |
| R |  | | 4PCS |
| W |  | M4 | 1PC |



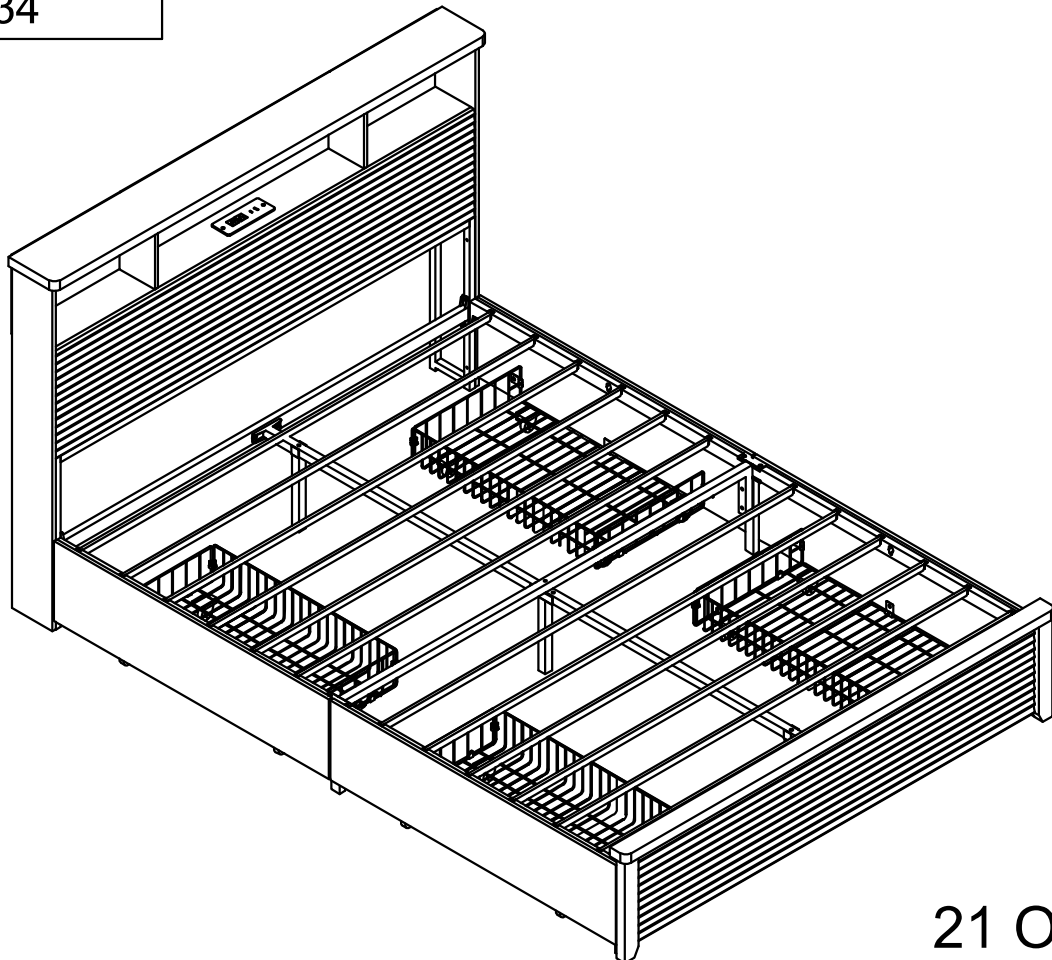
Note: Please don't fully tighten R screws to the board.



Step 33



Step 34



Step 35

