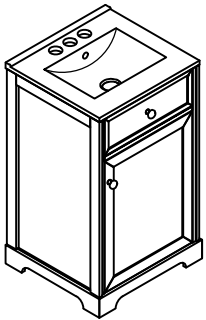


# ASSEMBLY INSTRUCTIONS

Thank you for purchasing this quality Product. Be sure to check all packing material carefully for small parts, which may have come loose inside carton during shipment. Identify and count all parts and compare with the parts list below.

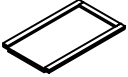
















## ASSEMBLY INSTRUCTION:

1. Remove hardware from box and sort by size.
2. Please check to see that all hardware and parts are present prior start of assembly.
3. Please follow attached instruction in the same sequence as numbered above for fast and easy assembly.

## WARNING!

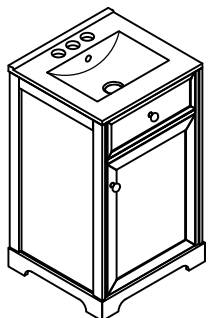
1. Do not attempt to repair or modify parts that are broken or defective. Please contact the store immediately.
2. This product is for home use only and not intended for commercial establishments.
3. Two persons are required for assembly.
4. Approximate assembly time 1/2 hours.
5. Component parts and fittings contained in the box. Please sort out all parts before you begin to assemble the item. This is to make sure you always use the correct part.
6. It is **STRONGLY RECOMMENDED** that you **ANCHOR** this product to a wall. Tipping furniture can cause serious injuries and death. To prevent your furniture from tipping forward it is strongly recommended that you securely attach this product to a wall or other solid surface, using the anchor straps provided appropriate fixings.

No.	Component	Q'ty
1	 Side Panel-Left	1
2	 Side Panel-Right	1
3	 Front Flip down Box - Left	1
4	 Bottom	1
5	 Back Panel - Up	1
6	 Back Panel - Low	1
7	 Shelf	1
8	 Door	1

No.	Component	Q'ty
9	 Racket Panel (L)	1
10	 Racket Panel (R)	1
11	 Mid Racket Panel- Up	1
12	 Mid Racket Panel- Low	1
13	 Mid Racket Panel- Back	1
14	 Round horizontal Bar	1
15	 Sink	1

# ASSEMBLY INSTRUCTIONS

Thank you for purchasing this quality Product. Be sure to check all packing material carefully for small parts, which may have come loose inside carton during shipment. Identify and count all parts and compare with the parts list below.

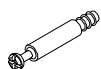

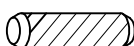




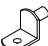








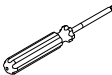
## ASSEMBLY INSTRUCTION:

1. Remove hardware from box and sort by size.
2. Please check to see that all hardware and parts are present prior start of assembly.
3. Please follow attached instruction in the same sequence as numbered above fast and easy assembly.

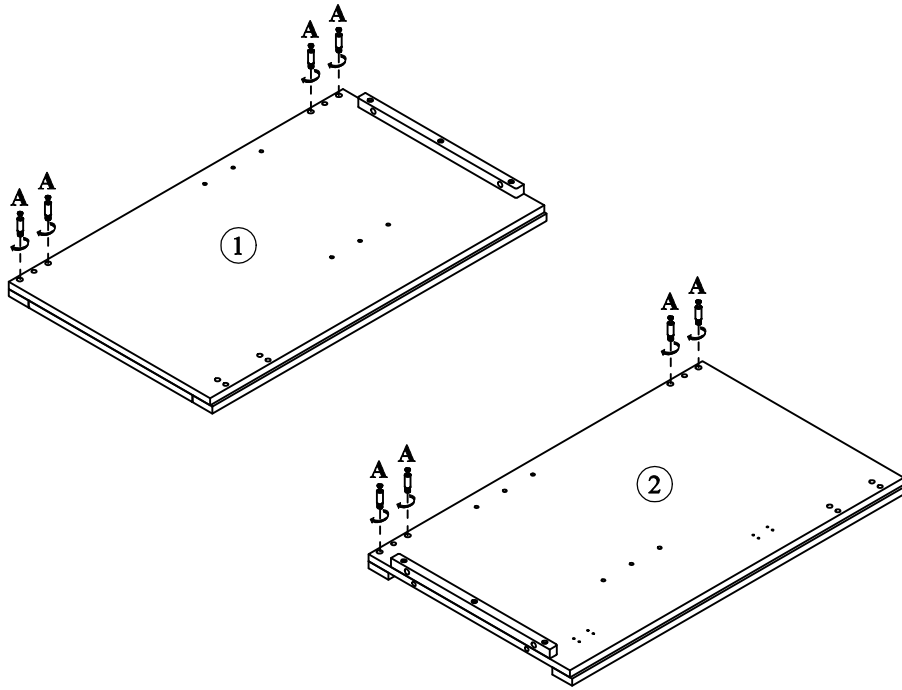
## WARNING!

1. Don't attempt to repair or modify parts that are broken or defective. Please contact the store immediately.
2. This product is for home use only and not intended for commercial establishments.
3. Two persons are required for assembly.
4. Approximate assembly time 1/2 hours.
5. Component parts and fittings contained in the box. Please sort out all parts before you begin to assemble the item. This is to make sure you always use the correct part.
6. It is **STRONGLY RECOMMENDED** that you **ANCHOR** this product to a wall. Tipping furniture can cause serious injuries and death. To prevent your furniture from tipping forward it is strongly recommended that you securely attach this product to a wall or other solid surface, using the anchor straps provided appropriate fixings.

No.	Hardware	Q'ty
A	 Cam Lock Screws	20
B	 Cam Lock	20
C	 Wooden $\varnothing 8 \times 30 \text{mm}$	30
D	 Handle	2
E	 Screws $\varnothing 5/32" \times 20 \text{mm}$	2
F	 Hinges	2
G	 Screws $\varnothing 7 \times \varnothing 3.5 \times 12 \text{mm}$	12
H	 Shelf Support	4

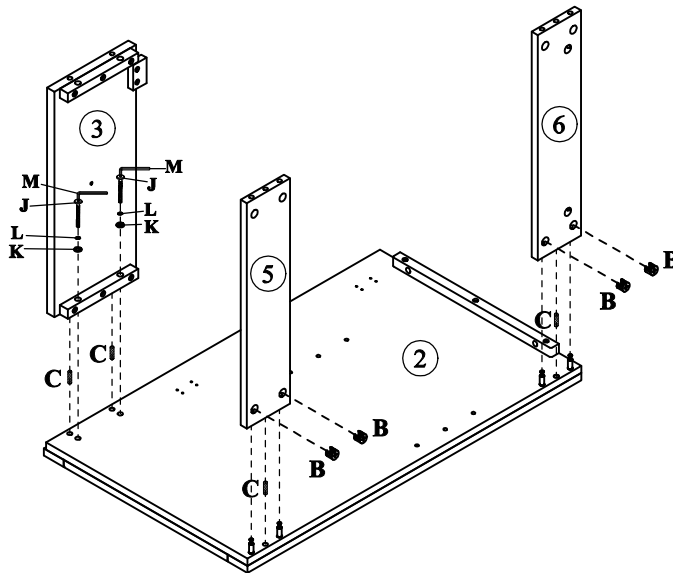
No.	Hardware	Q'ty
I	 Screws $\varnothing 7 \times \varnothing 3.5 \times 12 \text{mm}$	4
J	 Allen Bolts 1/4" x 30	8
K	 Flat Washers 1/4" x 16 x 1	8
L	 Lock washers 1/4" x 10 x 1.2	8
M	 Allen key	1
N	 Anti fall hardware (sets)	1
	 Not Included	

### Step 1



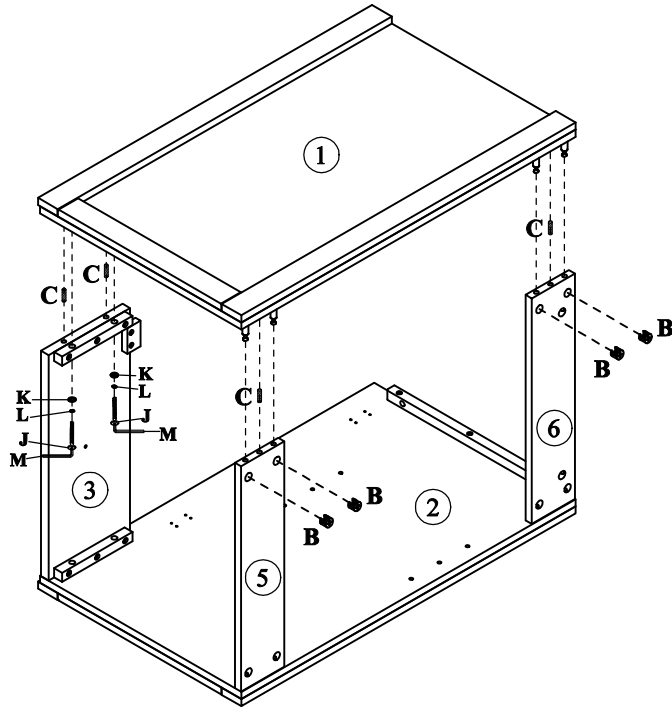
No	Hardware	Q'ty
A	Cam Lock Screws	8

### Step 2



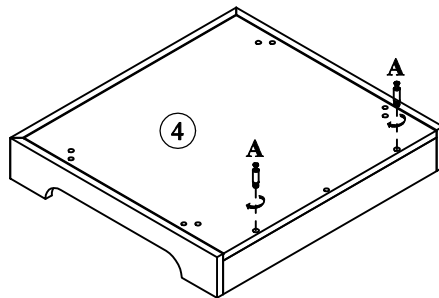
No	Hardware	Q'ty
M	Allen key	1
B	Cam Lock	4
C	Wooden $\varnothing 8 \times 30 \text{mm}$	4
J	Allen Bolts $1/4" \times 30$	2
L	Flat Washers $1/4" \times 10 \times 1.2$	2
K	Flat Washers $1/4" \times 16 \times 1$	2

**Step 3**



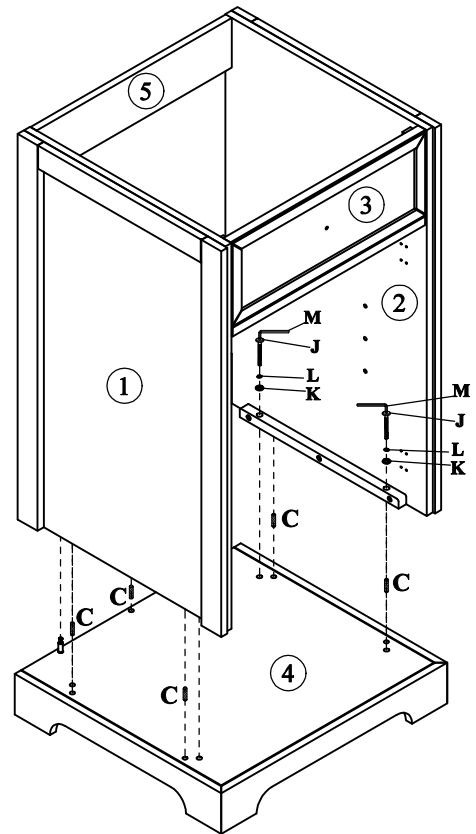
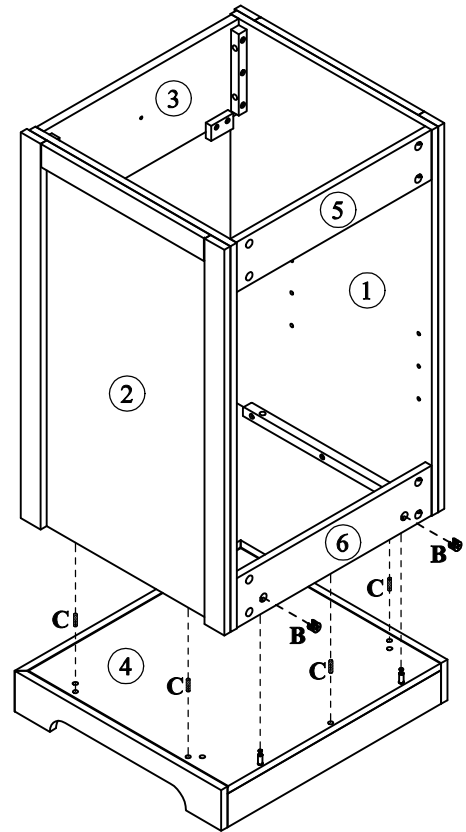
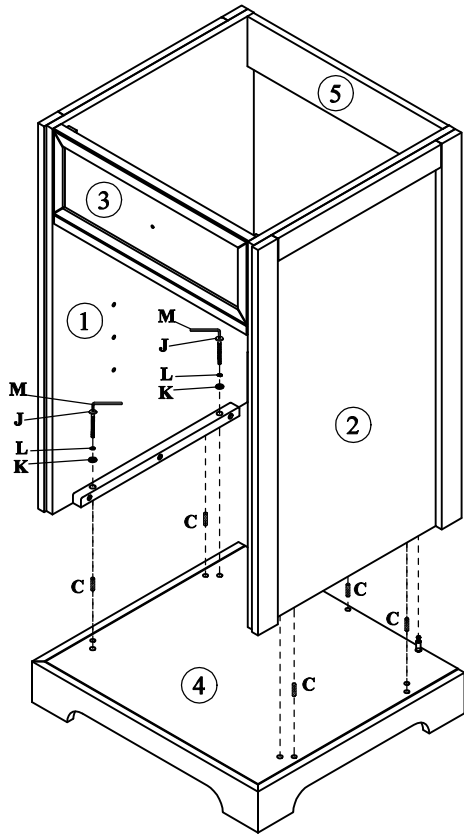
No	Hardware	Q'ty
M	Allen key	1
B	Cam Lock	4
C	Wooden $\varnothing 8 \times 30 \text{mm}$	4
J	Allen Bolts 1/4" x 30	2
L	Flat Washers 1/4"x10x1.2	2
K	Flat Washers 1/4"x16x1	2

**Step 4**



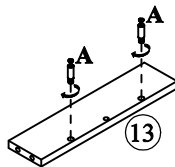
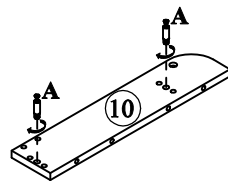
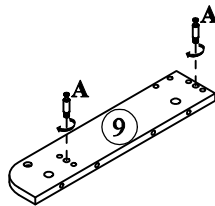
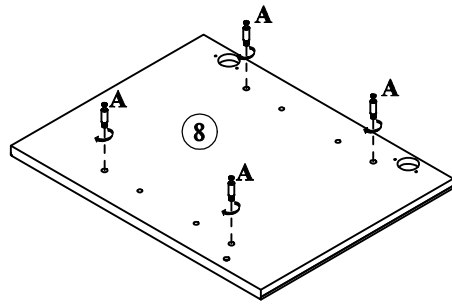
No	Hardware	Q'ty
A	Cam Lock Screws	2

**Step 5**



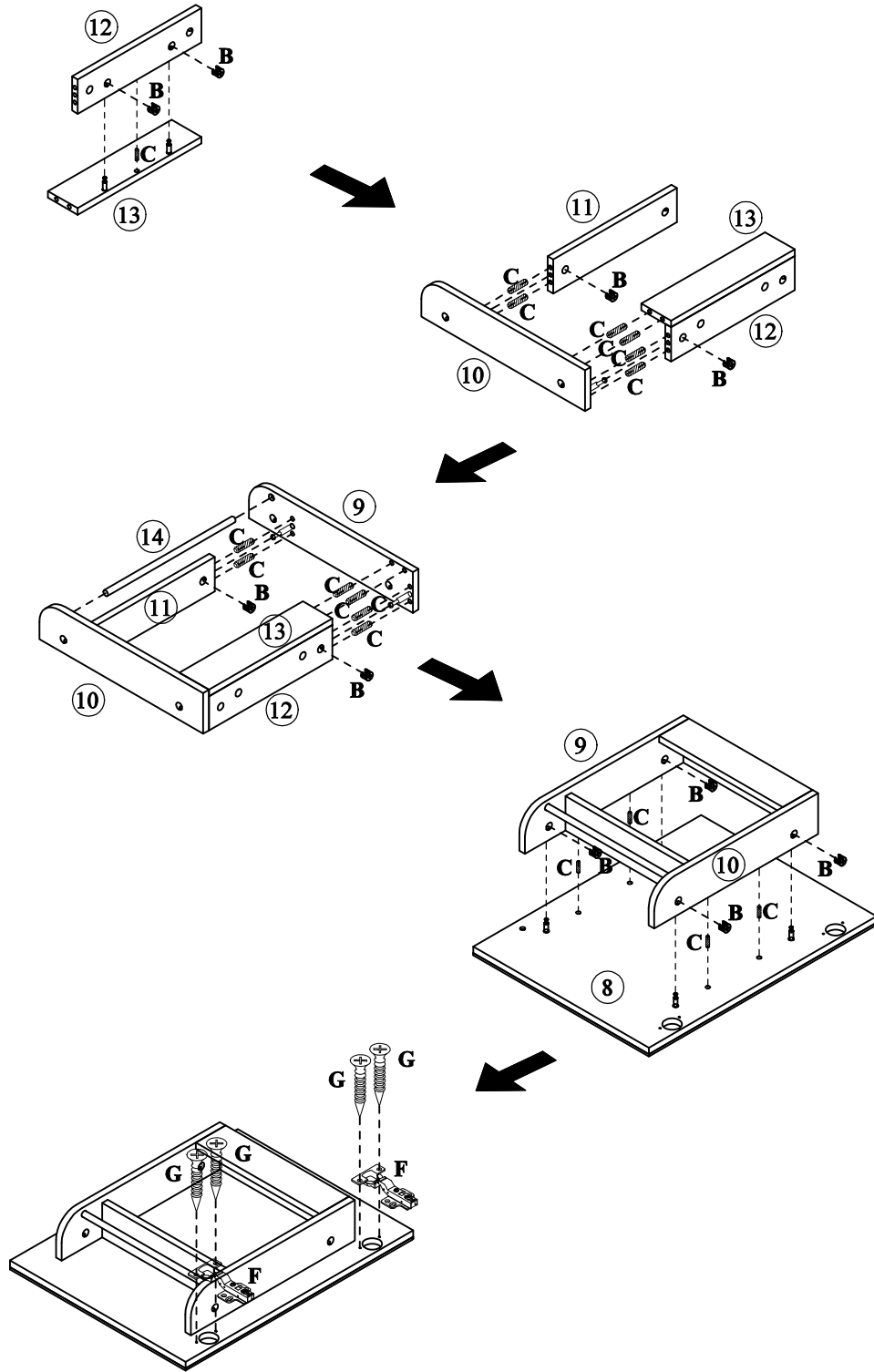
No	Hardware	Q'ty
M	Allen key	1
B	Cam Lock	2
C	Wooden $\varnothing 8 \times 30 \text{mm}$	5
J	Allen Bolts 1/4" x 30	4
L	Flat Washers 1/4"x10x1.2	4
K	Flat Washers 1/4"x16x1	4

**Step 6**



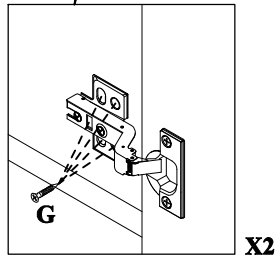
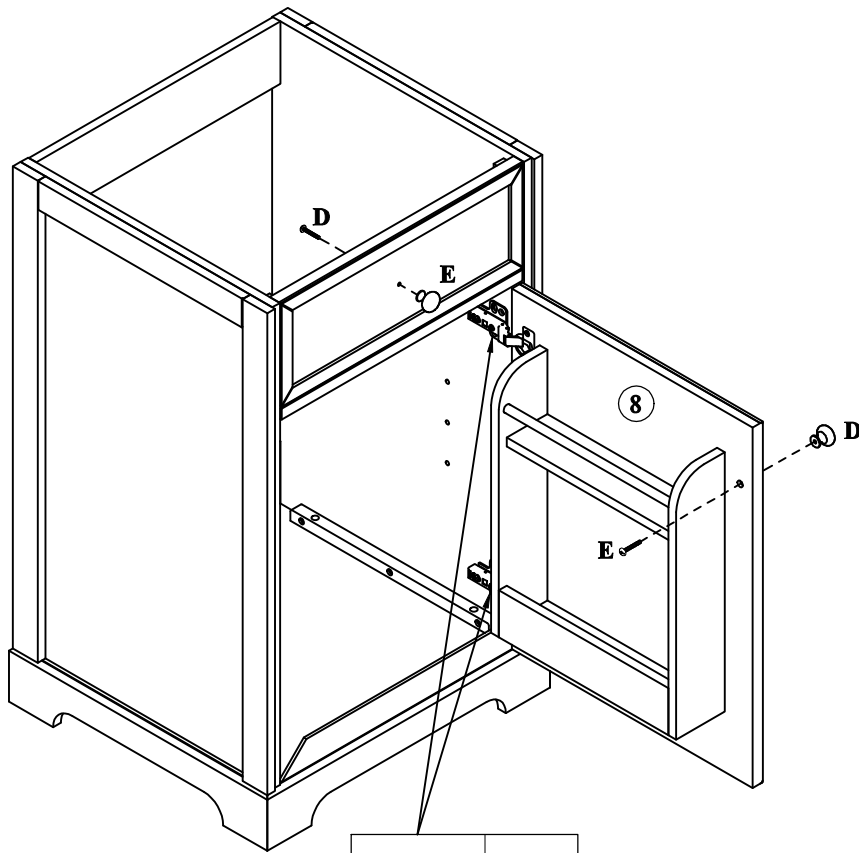
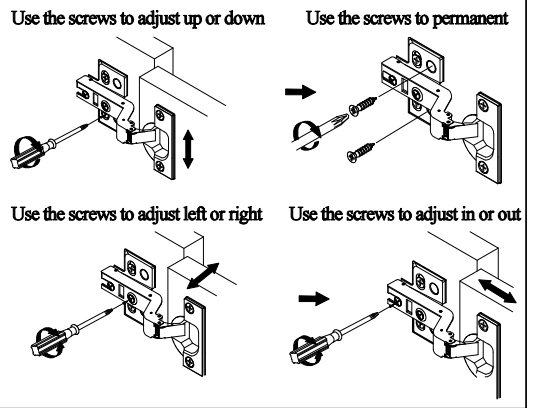
No	Hardware	Q'ty
A	Cam Lock Screws	10

**Step 7**



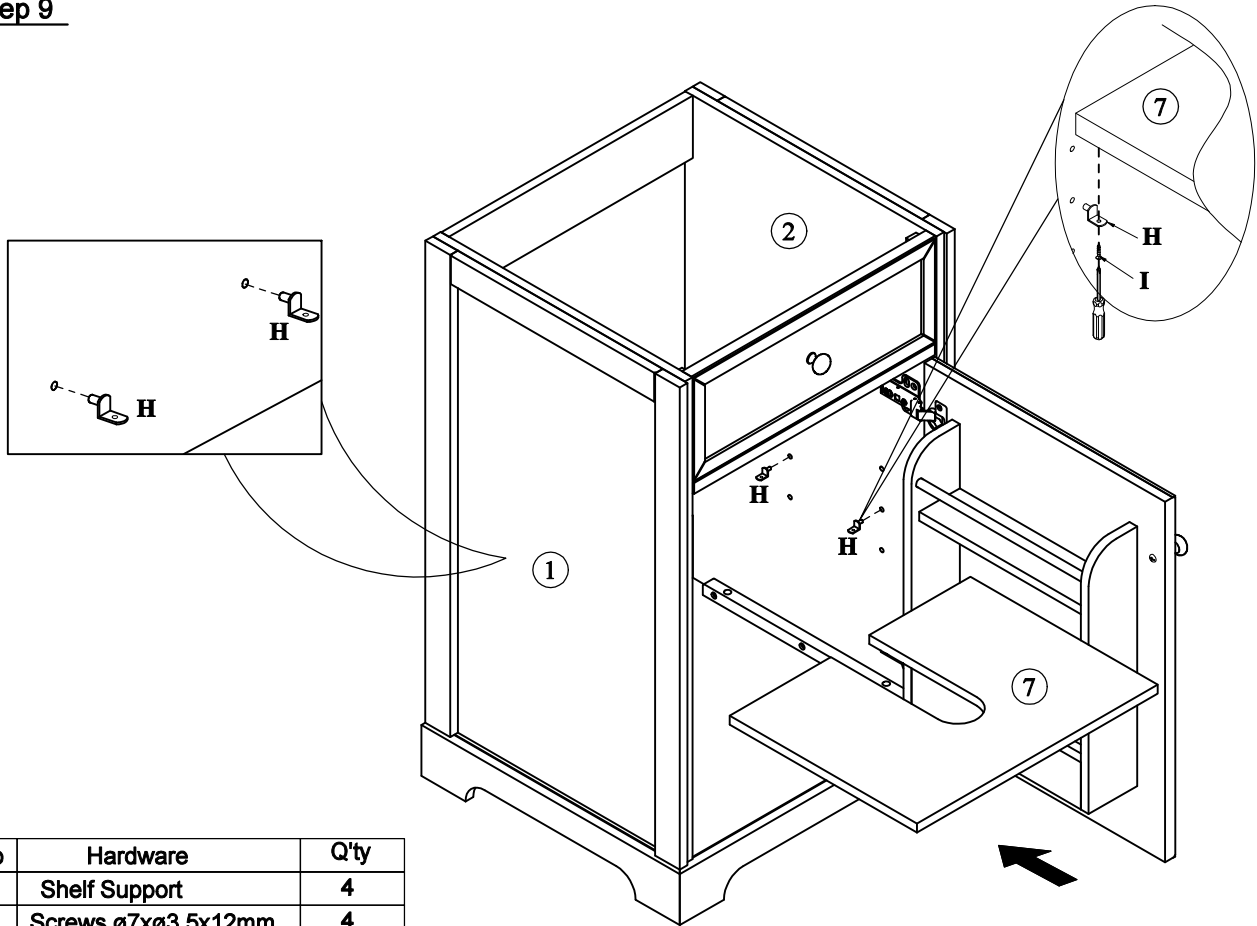
No	Hardware	Q'ty
B	Cam Lock	10
C	Wooden $\varnothing 8 \times 30 \text{mm}$	17
F	Hinges	2
G	Screws $\varnothing 7 \times \varnothing 3.5 \times 12 \text{mm}$	4

**Step 8**



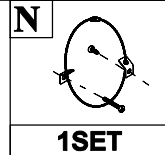
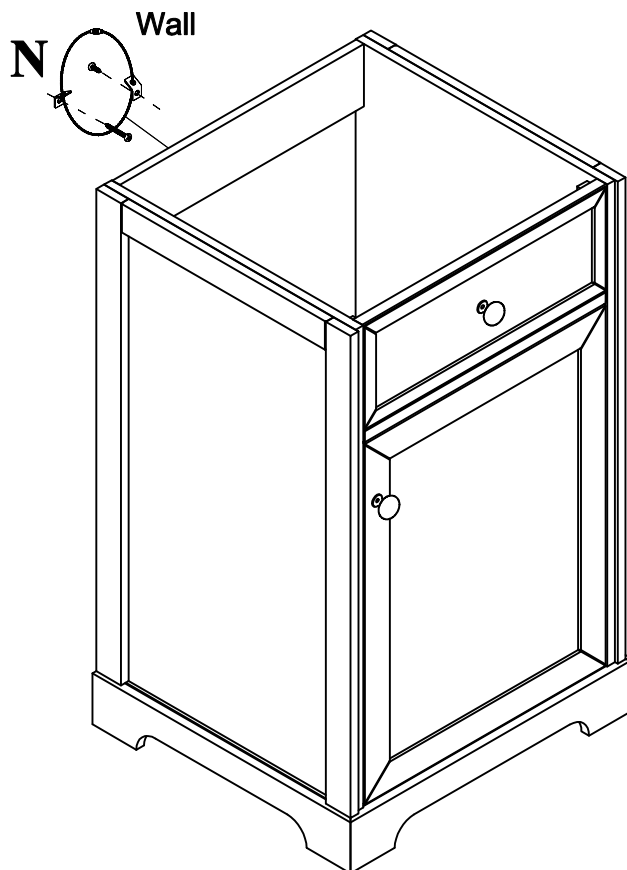
No	Hardware	Q'ty
D	Handle	2
E	Screws $\phi 5/32'' \times 20\text{mm}$	2
G	Screws $\phi 7 \times \phi 3.5 \times 12\text{mm}$	8

**Step 9**

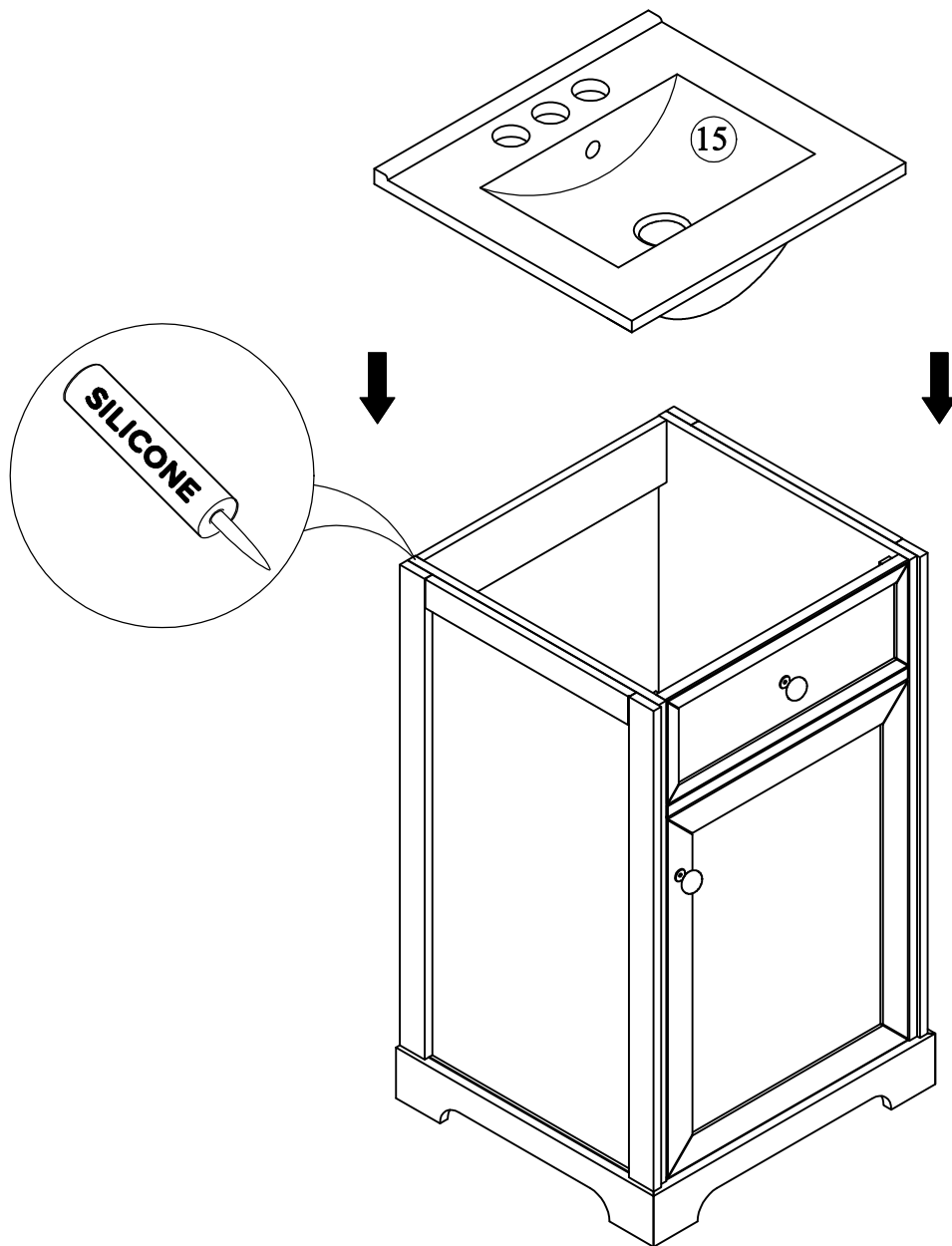


No	Hardware	Q'ty
H	Shelf Support	4
I	Screws $\phi 7 \times \phi 3.5 \times 12 \text{mm}$	4

**Step 10**



**Step 11**



Step 12

