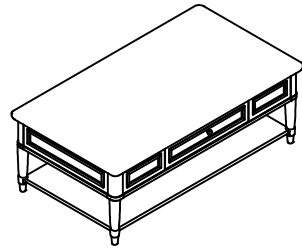


ASSEMBLY INSTRUCTIONS



181-910

TOOLS REQUIRED:

- Allen Wrench (Provided, Part H)
- Screwdriver (Not Provided)

BEFORE YOU START:

1. Check the hardwares against the hardware list to make sure all items are present.
2. Assemble your furniture on a soft, flat surface to avoid scratching the finish.
3. **CAUTION:** Do not over tighten screws, nuts or bolts during assembly.
4. Your furniture may require occasional tightening.

INSTRUCTIONS:

1. Turn the table top upside down on a clean soft surface.

2. Attach 4 legs to the top frame and tighten bolt with Lock Washer (E)+Flat Washer (F) +Hex Nut (D) by Spanner Wrench (G) as shown in Figure 1.

3. Attach the bottom panel to the leg and tighten Bolt (A) with Lock Washer (B) and Flat Washer (C) by Allen Wrench (H) as shown in Figure 2.

4. Attach four casters to the bottom panel and tighten Screw (I) by screwdriver as shown in Figure 3.

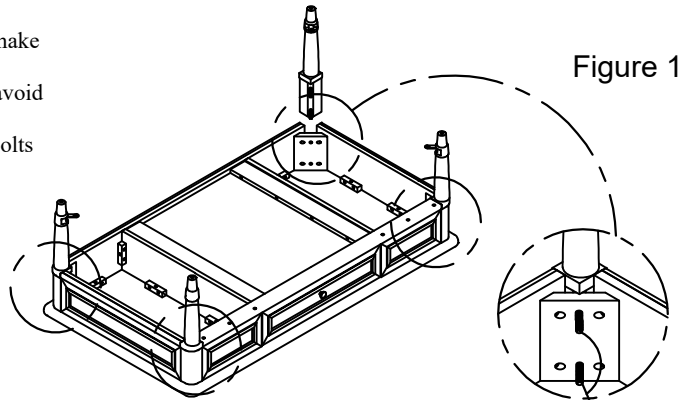


Figure 1

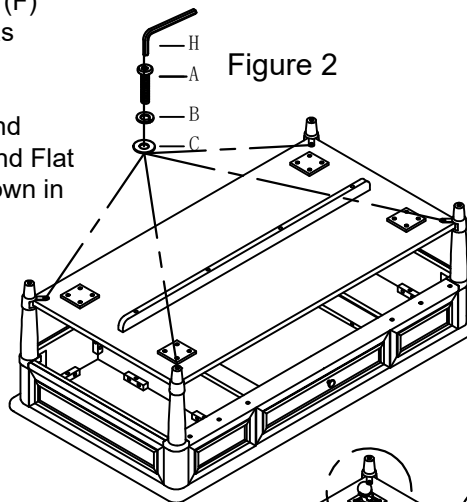


Figure 2

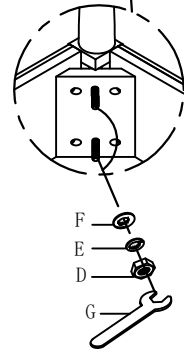










Figure 3

No.	HARDWARE LIST		Q'ty
A		Bolt (Ø1/4"x5/8")	4pcs
B		Lock Washer (Ø1/4")	4pcs
C		Flat Washer (Ø1/4"*16*1.5mm)	4pcs
D		Hex nut (Ø5/16"x12mm)	8pcs
E		Lock Washer (Ø5/16")	8pcs
F		Flat Washer (Ø5/16"*19*1.5mm)	8pcs
G		Spanner Wrench (Ø12mm*160mmL)	1pc
H		Allen Wrench (100*50*4mm)	1pc
I		Screw (Ø8x5/8")	16pcs

