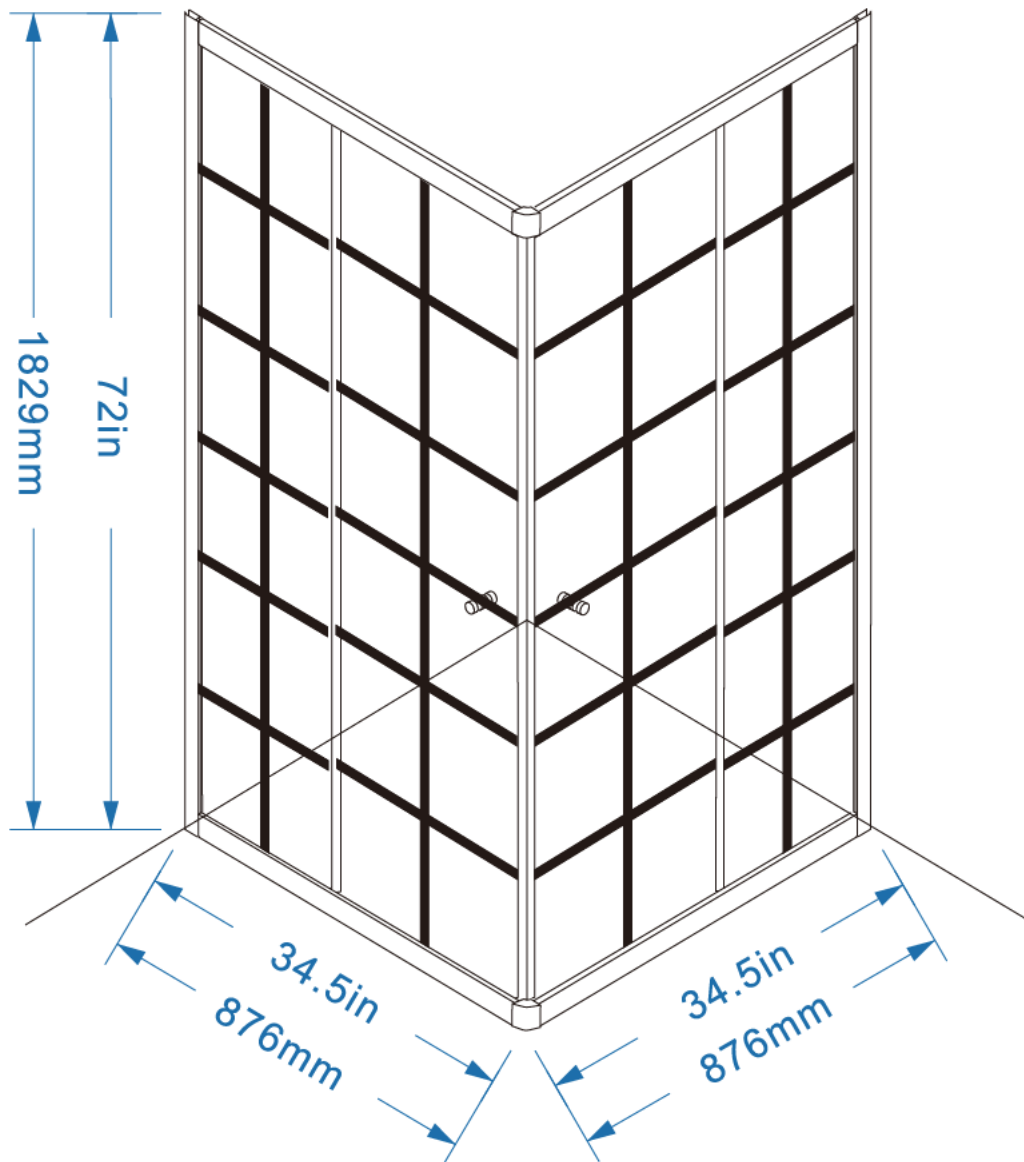


Install Instruction

Shower enclosure

ZF619-Y-34.5x72B



PREPARATION



You will need at least two people to install this unit properly. Before beginning assembly of product, make sure all parts are present. Compare parts with package contents list and hardware contents list. If any part is missing or damaged, do not attempt to assemble the product.

WARNING

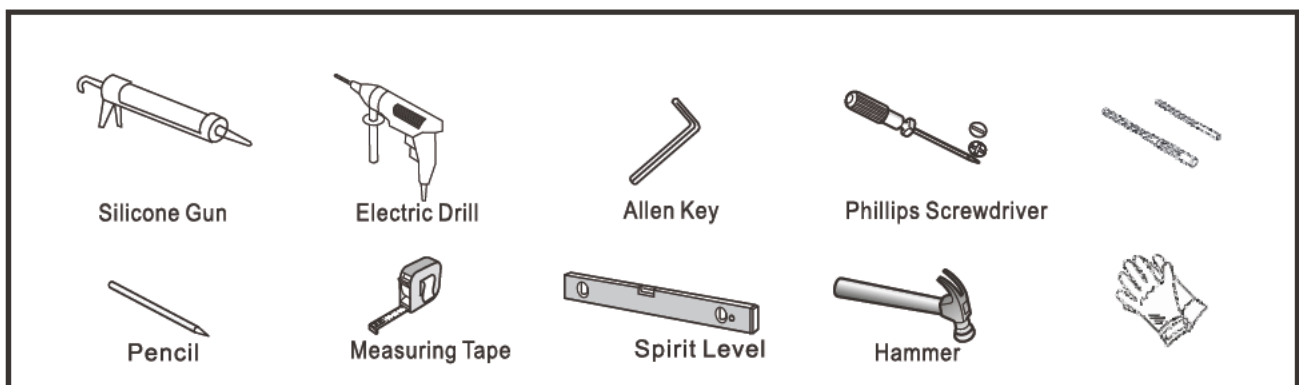
STRONGLY RECOMMENDS THIS INSTALLATION BE COMPLETED BY A LICENSED PROFESSIONAL.

INSTALLATION OF DOOR UNIT REQUIRES AT LEAST TWO PEOPLE.

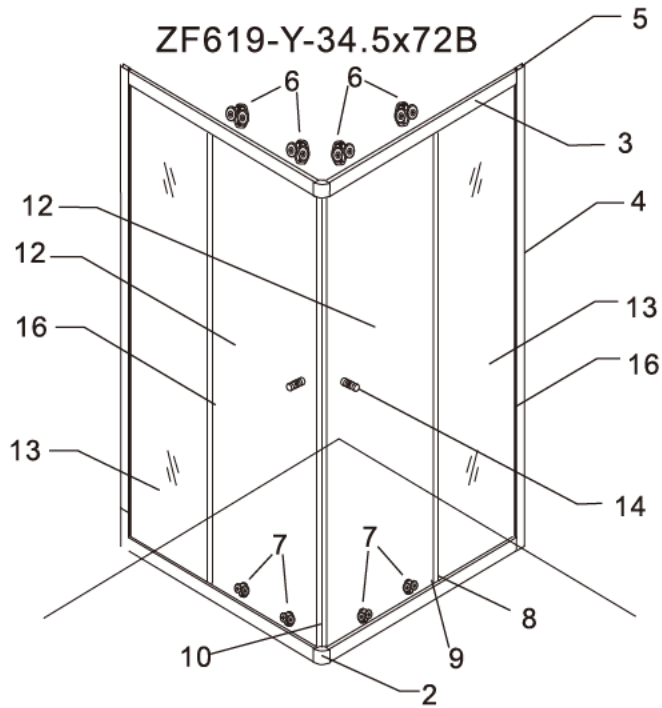
INSTALLATION OF THE SHOWER DOORS BY AN INEXPERIENCED PERSON MAY RESULT IN GLASS BREAKAGE AND CONSEQUENTLY, CAUSE PERSONAL INJURY OR DEATH.







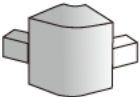













- Handle fragile items with care to prevent personal injury or material damage.
- The glass panels are tempered and cannot be cut. Never attempt to do so.
- Always rest glass on a level surface.

TOOLS REQUIRED (not supplied)

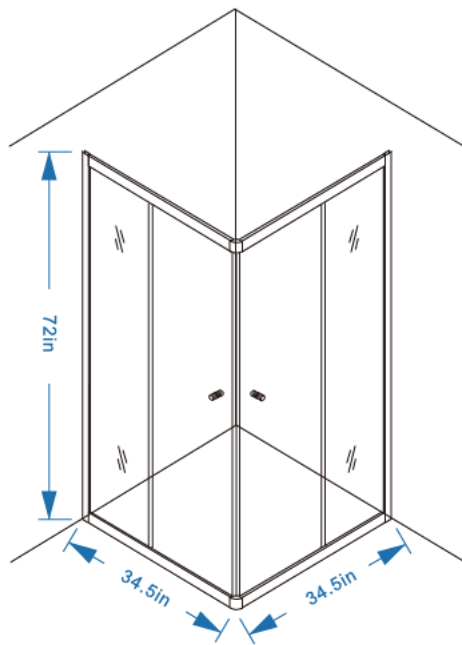


Installation_Instructions



1-1 Plastic Anchor  (6 PCS)	1-2 4*30 Sscrews  (6 PCS)	1-3 4*10 Screws  (4 PCS)
1-4 4*20 Screws  (4 PCS)	1-5 Screw Cover  (14 PCS)	1-6 Drill Bit (3mm)  (1 PCS)
2 Rail Connector  (2 PCS)	3 Structural Rail  (4 PCS)	4 Wall Profiles  (2 PCS)
5 Fixed Column  (2 PCS)	6 Upper Roller  (4 PCS)	7 Lower Roller  (4 PCS)
8 Waterproof Tape 1721mm  (2 PCS)	9 Waterproof Tape 1801mm  (2 PCS)	10 Magnetic Door Seal Strips  (1 PCS)
12 Glass Door Panel  (2 PCS)	13 Stationary Glass Panel  (2 PCS)	14 Handle  (2 PCS)
15 Roller Screw Cover  (8 PCS)	16 Waterproof Tape 1800+mm 	

Note: Installation must be carried out by a qualified and licensed professional.
 The actual quantity of accessories used shall be subject to the instruction manual.



⊘ IMPORTANT

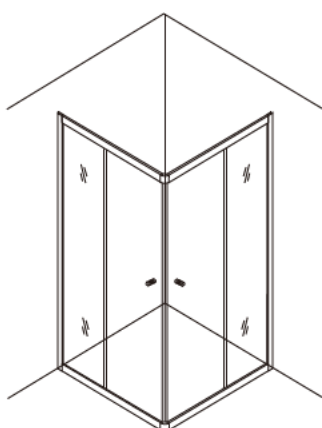
- Fiberglass, acrylic or sheetrock construction might not be sufficiently strong enough to support the shower door enclosure. You should use the wood framing from behind the face edge of the stall to provide a secure mounting to the door. Apply a bead of silicone between the walls and base of the stall.
- For optimum performance, you should install the shower door perfectly level on a level surface. By not leveling the unit during construction the unit may leak causing possible water damage.

BEFORE INSTALLATION: If needed, remove the plastic layer of the base border. Do not remove the plastic layer off the plastic platform of the base. Wall and base joints must be siliconed properly.

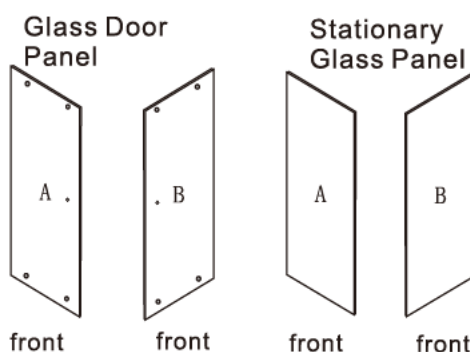
PLEASE NOTE:

THE CLEAR GLASS MODEL HAS A REVERSIBLE DOOR AND CAN BE INSTALLED TO THE RIGHT OR LEFT SIDE. (SEE CONFIGURATION DIAGRAM BELOW)

See suggestion of configuration below.



Pay attention to the location of the hole



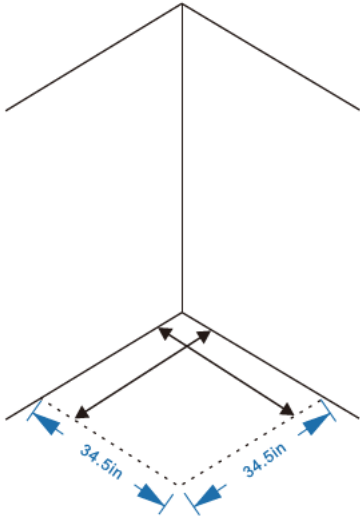
The two pieces of glass are identical, no matter they are installed in position A or B, the nano-hydrophobic coating is inside the shower enclosure.



One side of the nano layer is the side with stickers attached

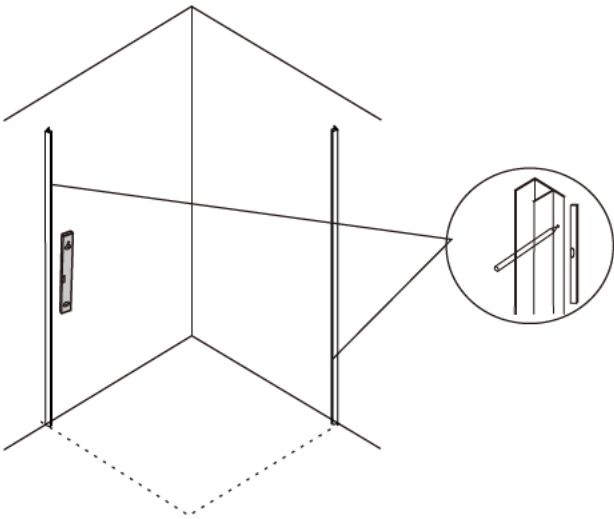
1

Determine installation location:
Use a level and tape measure to determine the installation position based on the size of the shower room, and mark the line accordingly.



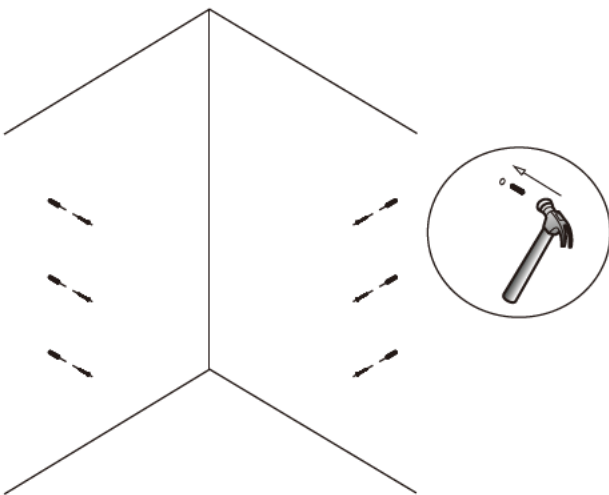
2

Take out the wall profiles (# 4) and place it in the installation position. Use a level or ruler to determine the position and mark it on the screw hole.



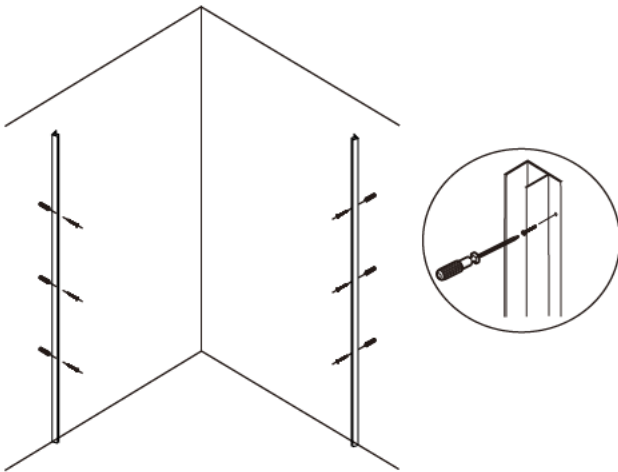
3

Drill a 6mm hole at the marked point with an electric drill and place plastic anchor (1-1) inside the hole.



4

Fix the wall profiles (# 4) to the wall with 4 × 30 screws (1-2).

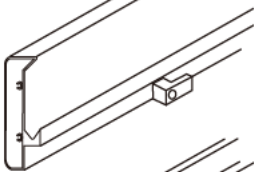


5

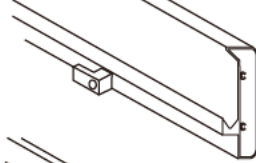
Take out four structural rail (# 3) and distinguish their positions according to the annotations in the left figure.

#3 Structural rail

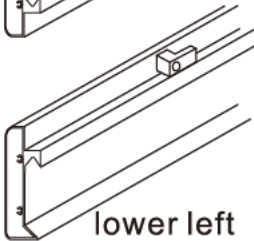
upper left



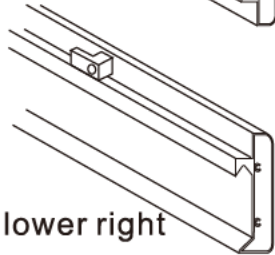
upper right



lower left



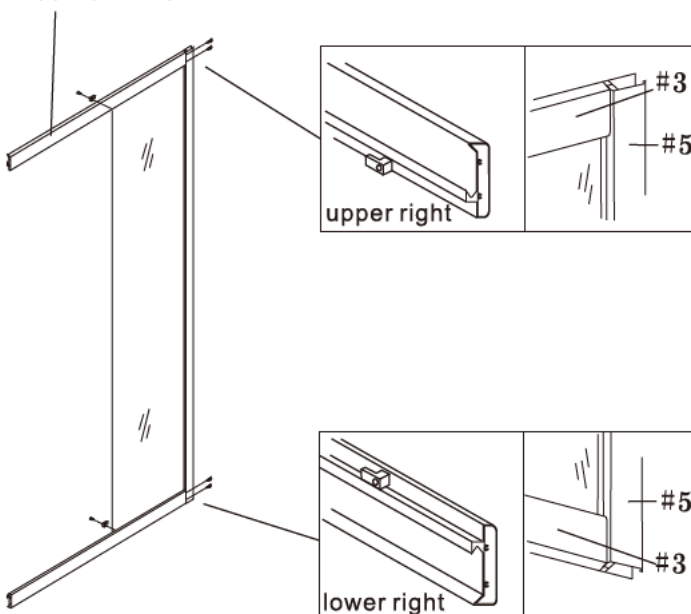
lower right

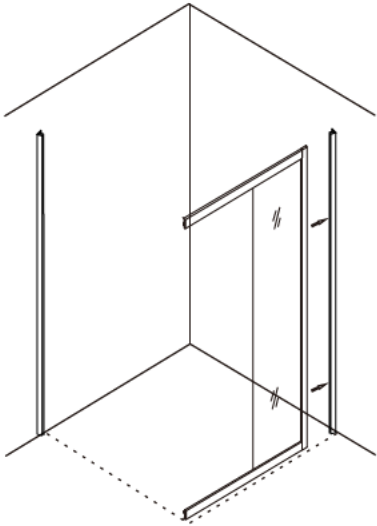


6

1. Take out the stationary glass panel (# 13), paying attention to the silk screen pattern inside (the side that feels raised facing inward).
2. Insert the stationary glass panel (# 13) into the fixed column (# 5).
3. Install structural rail (# 3) onto the glass and secure it with 4 * 20 screws (1-4) (Note that the pulley groove faces inward).

If it is difficult to install, loosen the screws appropriately

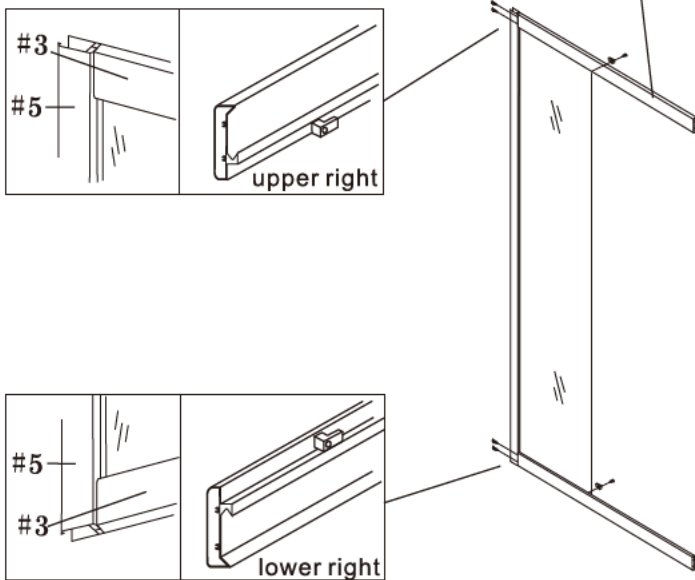




7

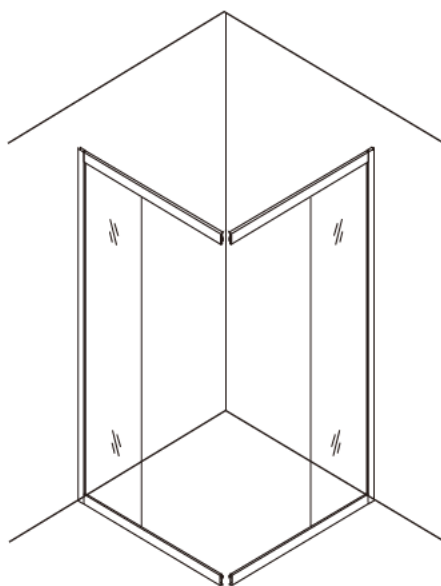
Insert the installed glass components into the wall profile (# 4).

If it is difficult to install, loosen the screws appropriately



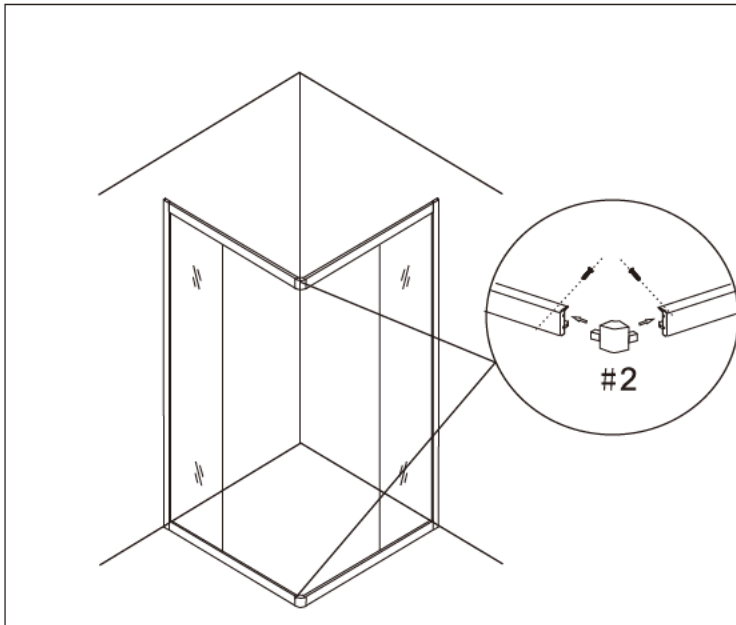
8

Remove another piece of stationary glass panel (# 13) and complete the installation of the remaining rail according to the previous steps.



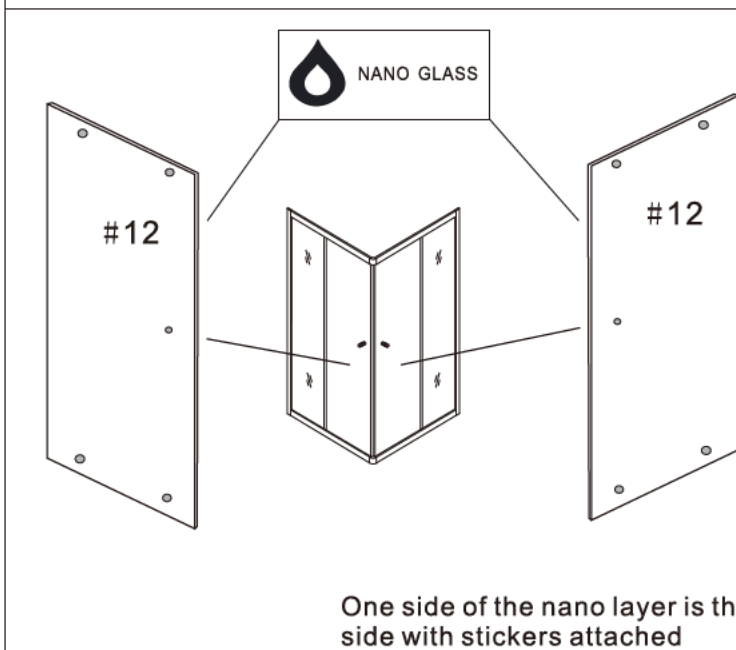
9

Insert the other installed glass component into the wall profile (# 4).



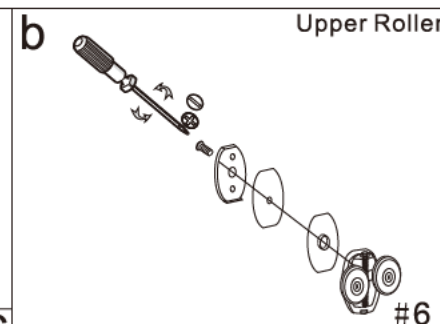
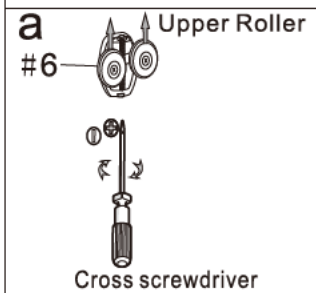
10

Insert the rail connectors (# 2) into both ends of the track to connect the track.
Fix the rail connector (# 2) with 4 * 10 screws (1-3) at the back.



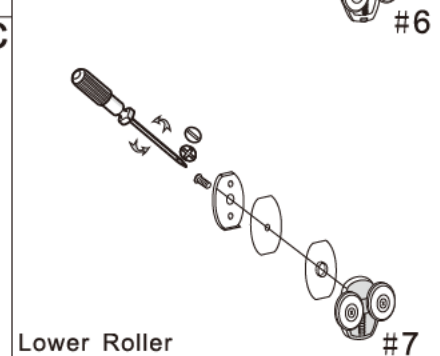
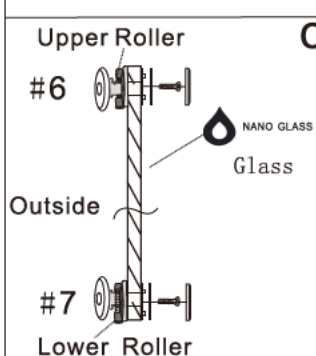
11

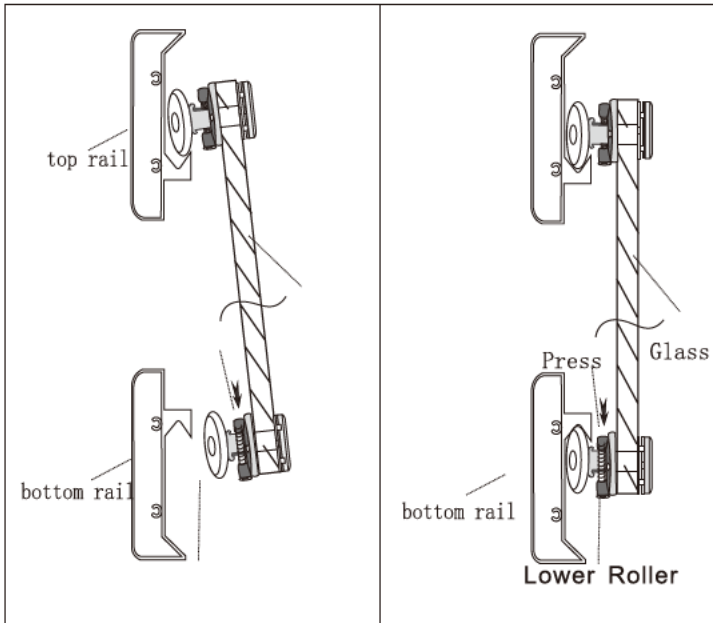
Distinguish the direction of the glass door panel (# 12) according to the diagram, paying attention to the nano film layer facing inward.
Take out the roller and distinguish between the upper roller (# 6) and the lower roller (# 7).



12

a. Use a phillips screwdriver to turn the top screw of the upper pulley clockwise to the highest position for easier installation of the movable door.
b. Use a phillips screwdriver to open the screw covers on the back of the upper pulley (# 6) and lower pulley (# 7).
c. Install the upper roller (# 6) and lower roller (# 7) onto the glass in the vertical direction corresponding to the pulley and glass.

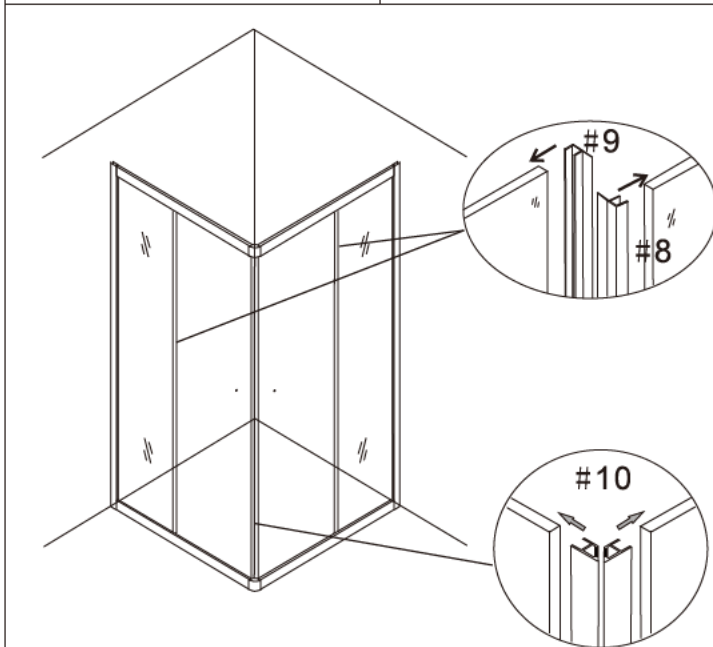




13

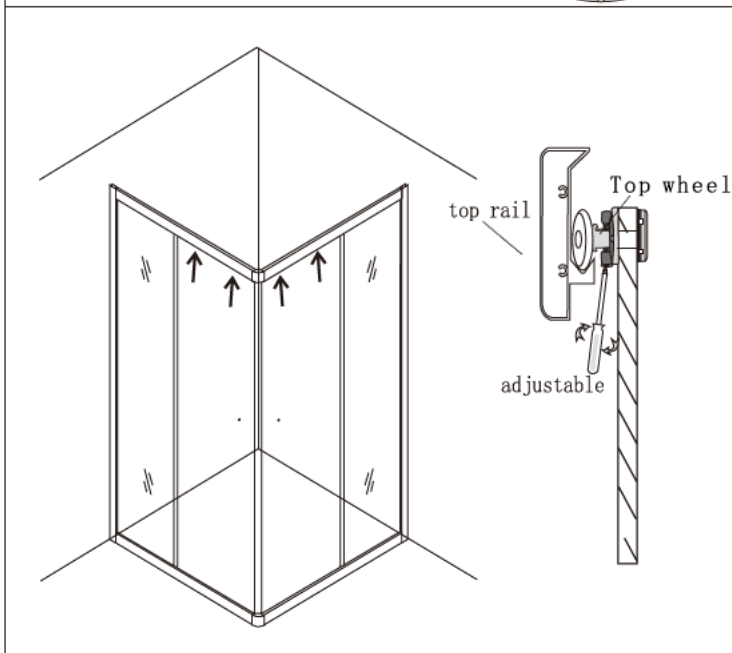
After installing the roller on the glass, lift the glass:

1. First, hang the upper roller (# 6) on the movable glass into the top rail;
2. Install the lower roller into the bottom rail by pressing the spring button of the lower roller (# 7);



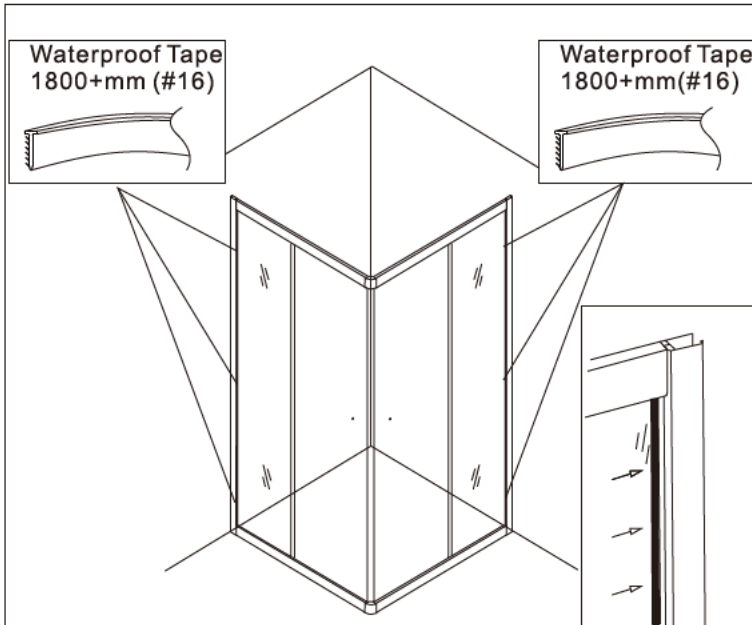
14

Install waterproof tape 1801mm (# 9) on both sides of the glass door panel (# 12) as shown in the picture; Install magnetic door seal strips(# 10) on both sides of the glass door panel (# 12) door as shown in the picture; Install waterproof tape 1721mm (# 8) on the side of the fixed glass (# 13) as shown in the picture;



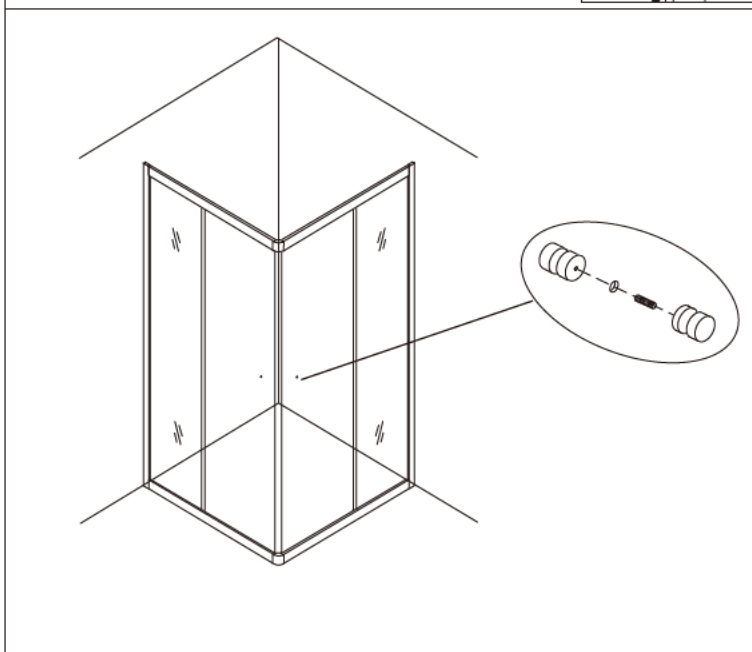
15

By adjusting the screw of the upper pulley, raise the glass door so that the lower roller spring has a slight force to hook onto the lower rail, and the movable doors are horizontal and vertical to each other.



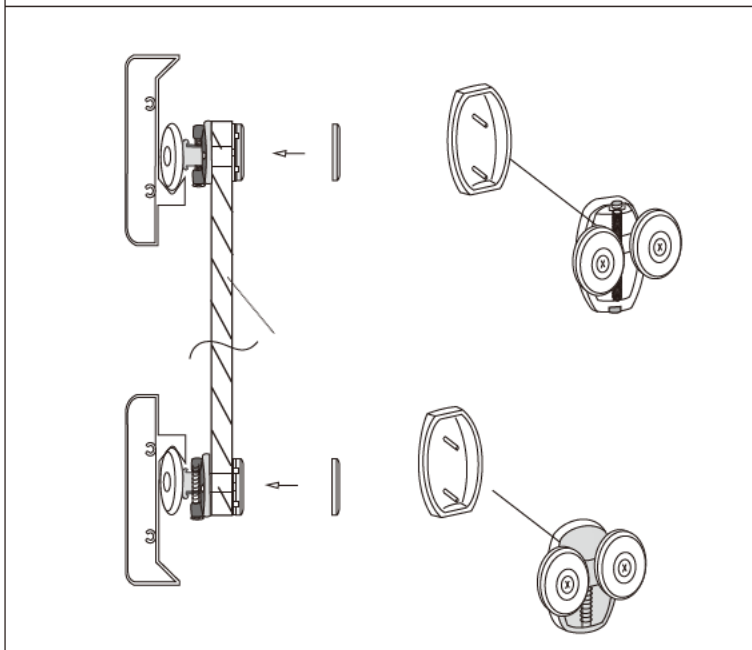
16

Inside the shower room, fix the gap between the glass door panel (# 12) and the fixed column (# 5), insert the waterproof tape (# 16), and cut off the excess length of the tape.



17

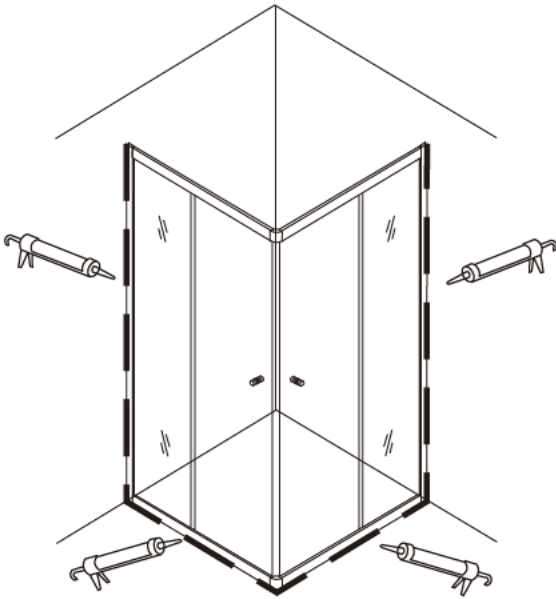
Install handle (# 14):
 1. First, rotate the handle counterclockwise to separate it;
 2. Place washers on both sides of the glass and insert the handle into the handle hole. Rotate clockwise to complete the installation.



18

Cover the back of each roller with a roller screw cover (# 15).

MAINTENANCE AND CARE



* Do not use the enclosure for at least 24 hours.



Apply clear silicone caulking along the floor of the shower enclosure interior and along the fixed panel and threshold of the shower enclosure interior.

IMPORTANT

- WAIT 24 HOURS BEFORE USING SHOWER
 - DO NOT ALLOW WATER TO DIRECTLY HIT DOOR SEAL STRIPS.
- CLEANING INSTRUCTIONS FOR THE SHOWER CABIN AND DOOR PANEL

1. Use a mild liquid household cleaner to keep metal surfaces bright and clean. Rinse well and dry with a soft, clean cloth.
2. Remove dust with a soft, damp cloth.
3. Use a standard household window cleaner to clean the glass panels.
4. A water beading treatment, similar to what you would use on an automobile windshield, can be used on the inside of the glass to keep it looking brand new.
5. Use rubbing alcohol to clean and remove grease, oil, paint and ink.
6. Should you accidentally scratch or stain your shower enclosure, use a liquid automobile polish to remove.

IMPORTANT

1. DO NOT use abrasive cleaners, scrapers, metal brushes or any items that could scratch or dull the surface.
2. DO NOT allow surface to come in contact with acetone (nail polish remover), dry cleaning solution, lacquer thinner, gasoline or other similar products.

REGULAR CARE AND MAINTENANCE OF YOUR SHOWER ENCLOSURE

Your home is a moving entity, shifting and settling over time. We understand this and has designed their shower enclosures with this in mind. It is the responsibility of the homeowner or end user to maintain the integrity of their newly installed enclosure, using the integrated adjustability features. In order to keep your shower enclosure in optimal working condition, recommends regularly inspecting your enclosure and tightening any hardware that may have loosened during use. This simple step will insure optimal results from your shower enclosure for many years to come.