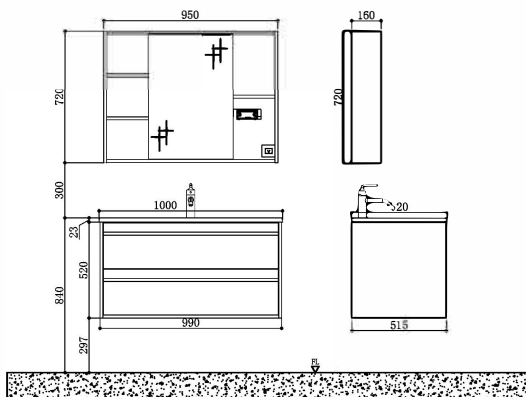


Installation and Maintenance Instructions Manual

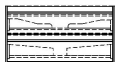
40-BROAK-MC54310-LED

A. Installation Diagram

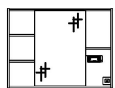


B. Parts

1. Main Cabinet



2. Medicine Cabinet



3. Countertop



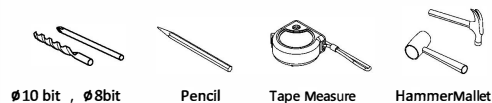
4. Self Tapping Screws



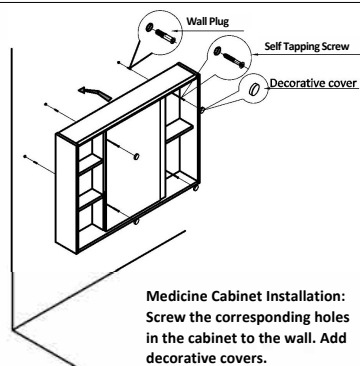
5. Wall Screw Anchor Plugs



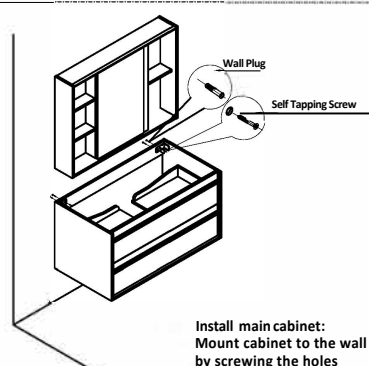
C. Tools



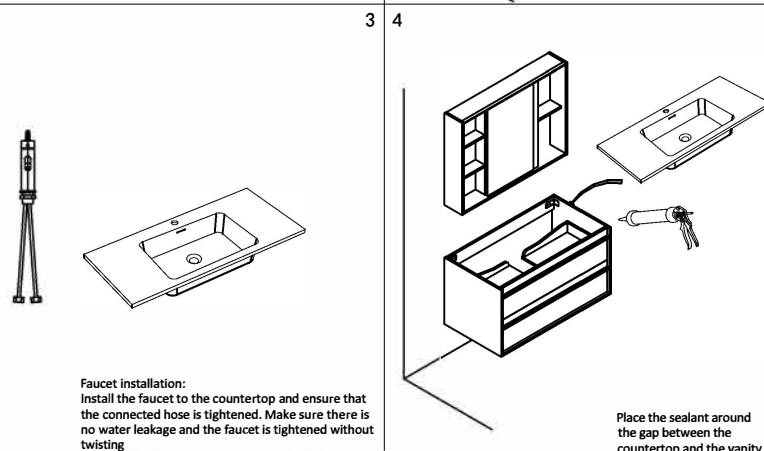
D. Installation Steps



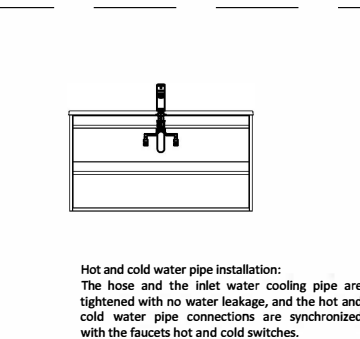
1 2



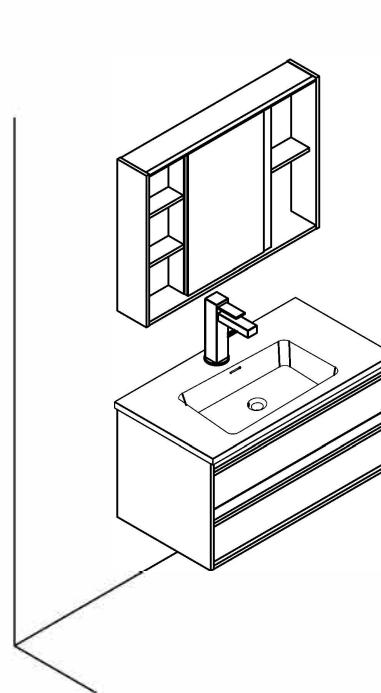
3 4



5



E. Final



F. Maintenance

⚠ Attention		
⊘ Prohibited	Cleaning agent with acidic properties	*Please Note* Bathroom cabinet may change color
	Cleaning agent with alkaline properties	
⚠ TO BE FOLLOWED	1. Many cleaners contain abrasives and chemicals that cannot be used to clean stainless steel, enamel, plating or plastic products. These surfaces must be cleaned with a mild detergent or non abrasive solution, and then wiped dry with a clean soft cloth.	
	2. Please keep a good ventilation in the bathroom. Keeping windows and doors open help ventilate bathroom spaces.	
	3. The bathroom cabinets are subjected to strict moisture-proof treatment. The bathroom cabinets should not be watered or splashed. Good moisture resistance can ensure good use at high relative humidity, however please avoid the bathroom from getting too humid.	
	4. Maintenance of the door panels: Regularly clean and wipe with a soft cloth. Water vapor after bathing should be dried with a dry cloth to keep the door panel dry.	
	5. Moisture-proof mirrors are best wiped with suede, which can guarantee the quality of use and extend the lifespan of the product.	
	6. Do not sit, lay, lean on, or step on the vanity cabinet/countertop during daily use.	