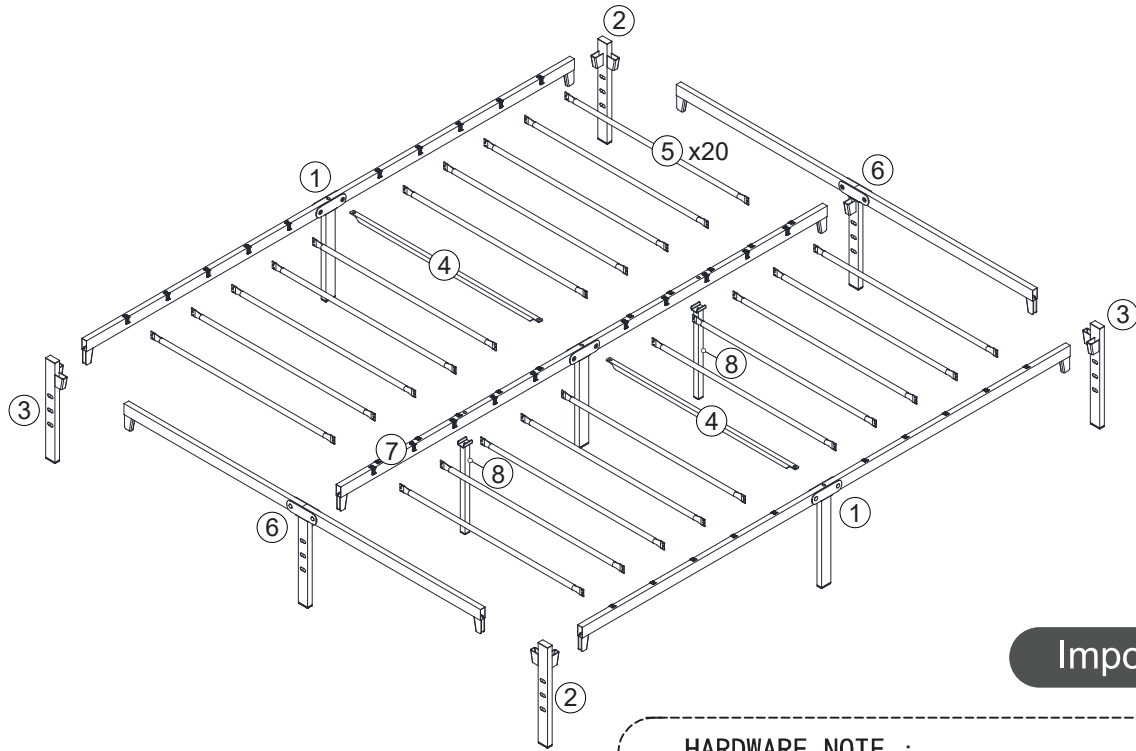


Assembly Instruction

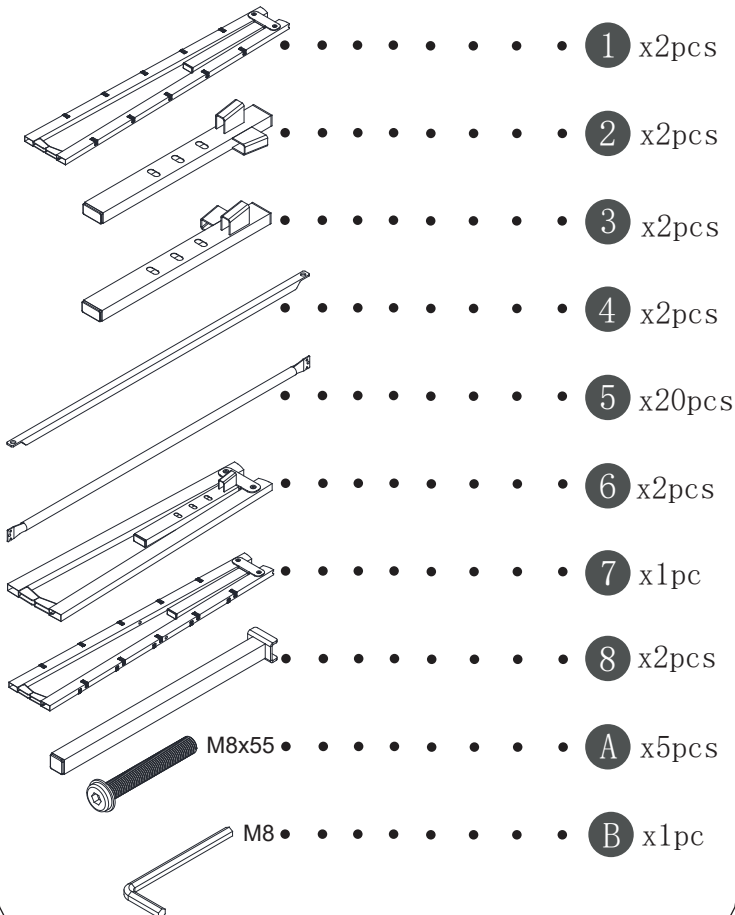


Important Note

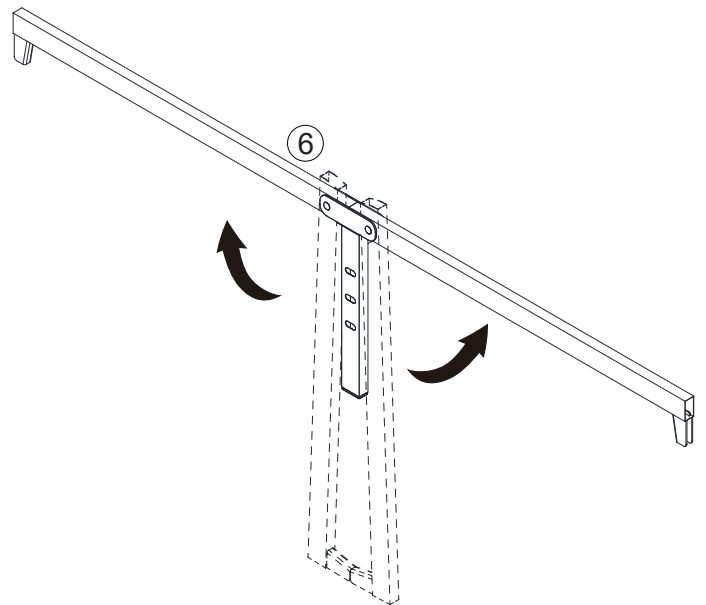
HARDWARE NOTE :

1. Two or more people are required for assembly
2. Do not screw on the bolts too tight unless the installation is done. Make sure all bolts are tightly screwed before you use it.

Components



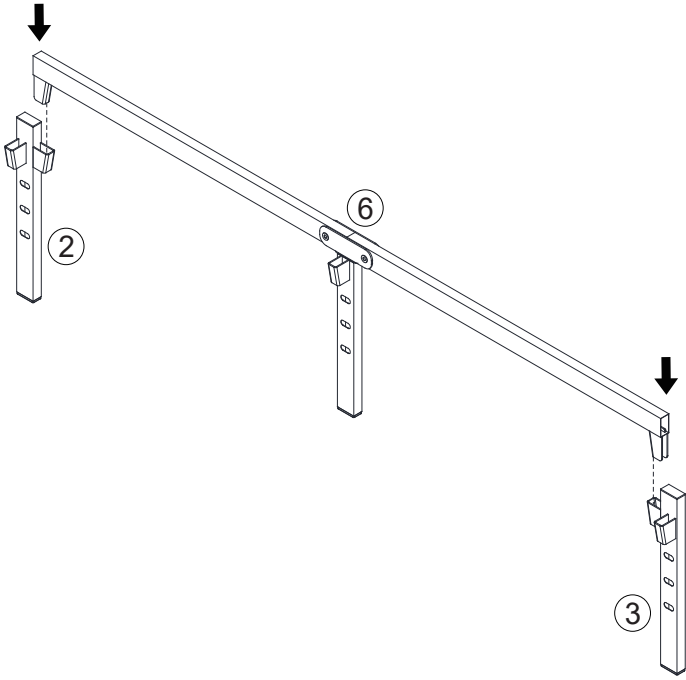
1



When installing, press to the bottom

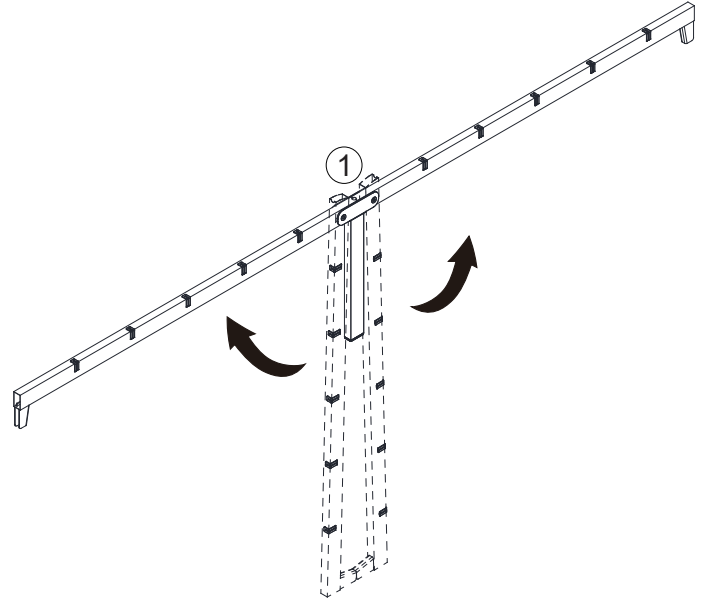
2

x2



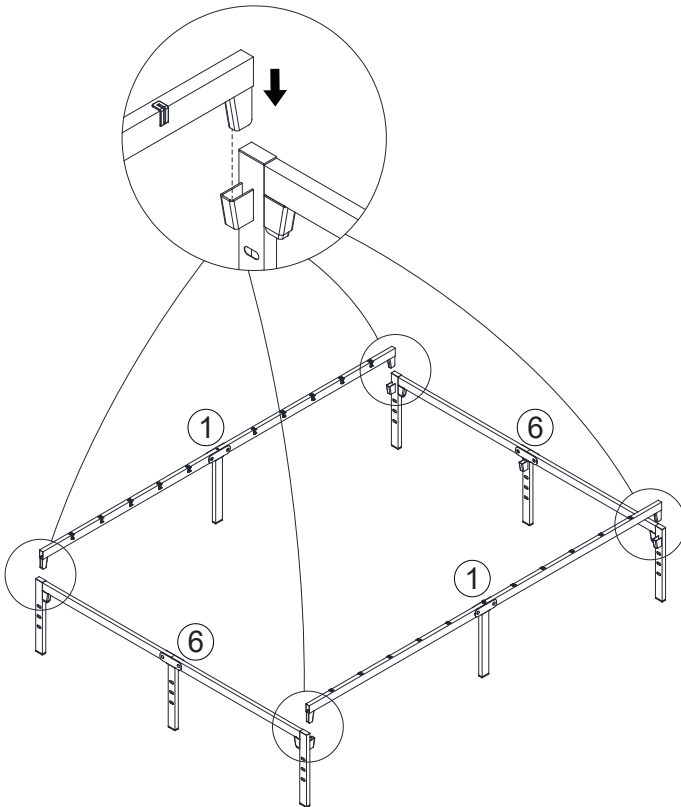
3

x2

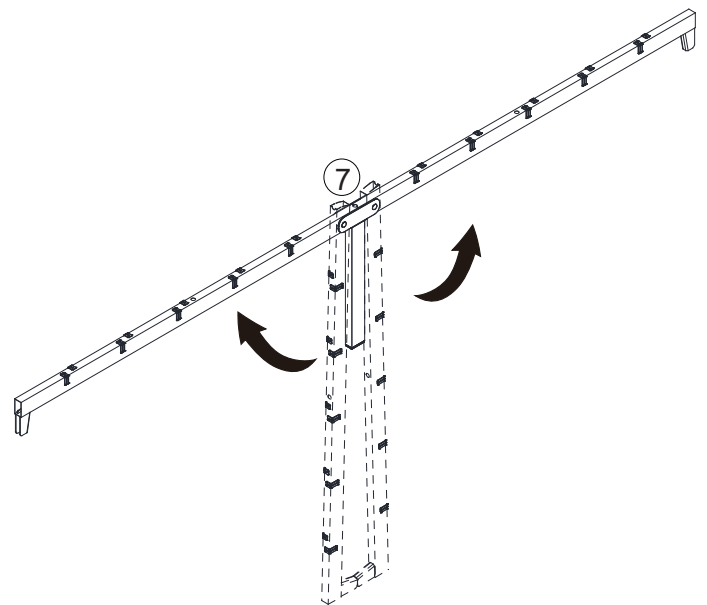


When installing, press to the bottom

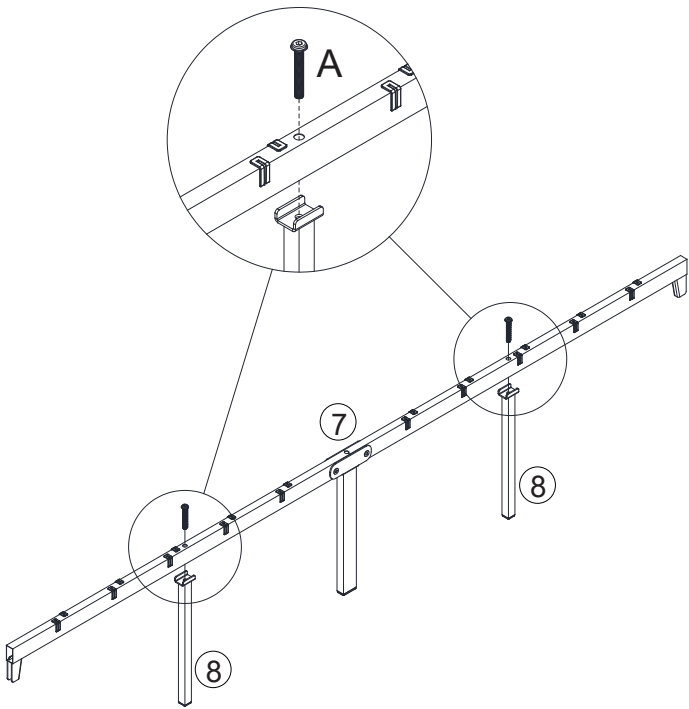
4



5



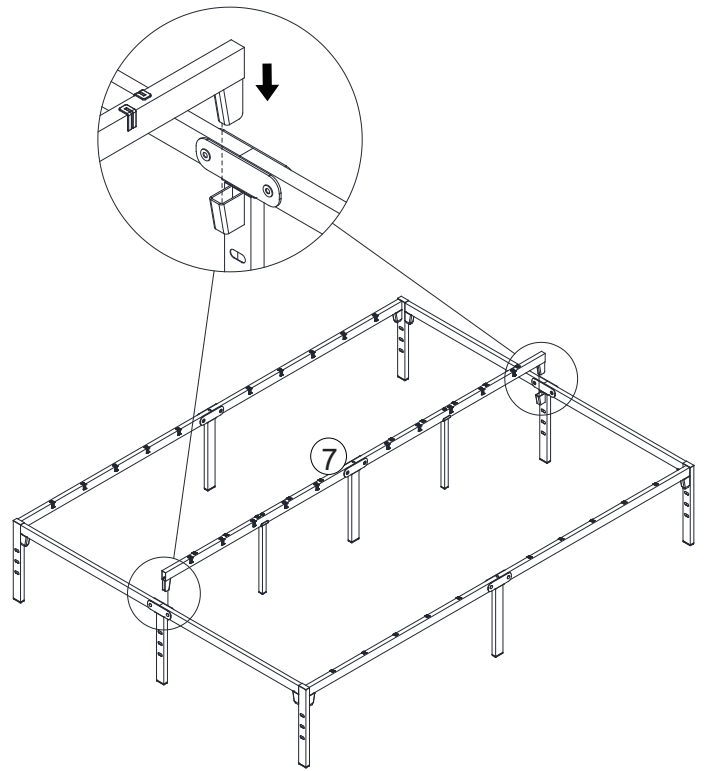
6



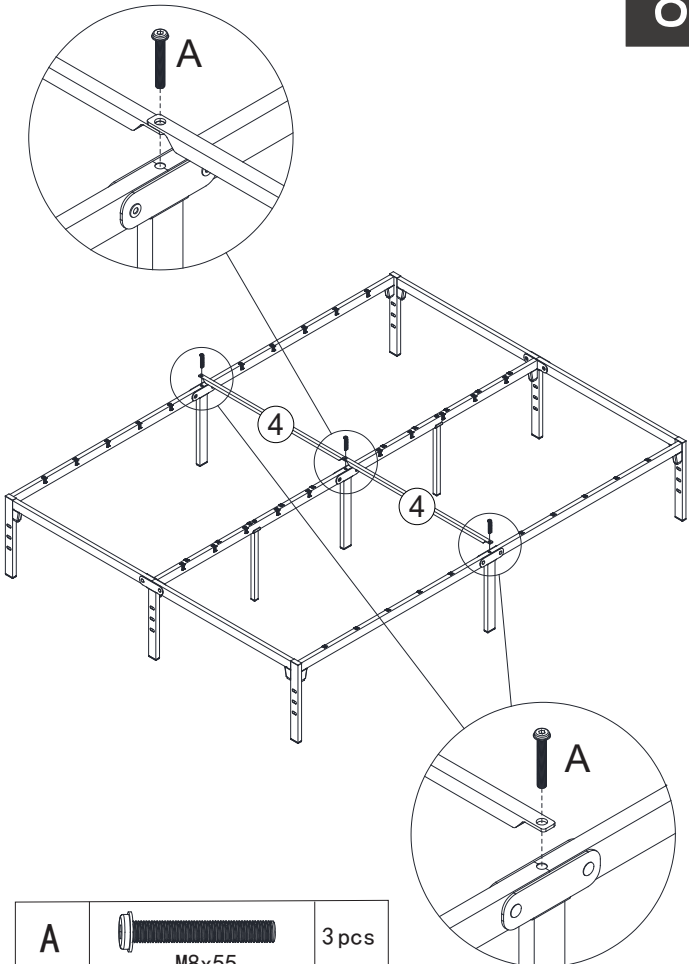
A		2 pcs
M8x55		


7

When installing, press to the bottom



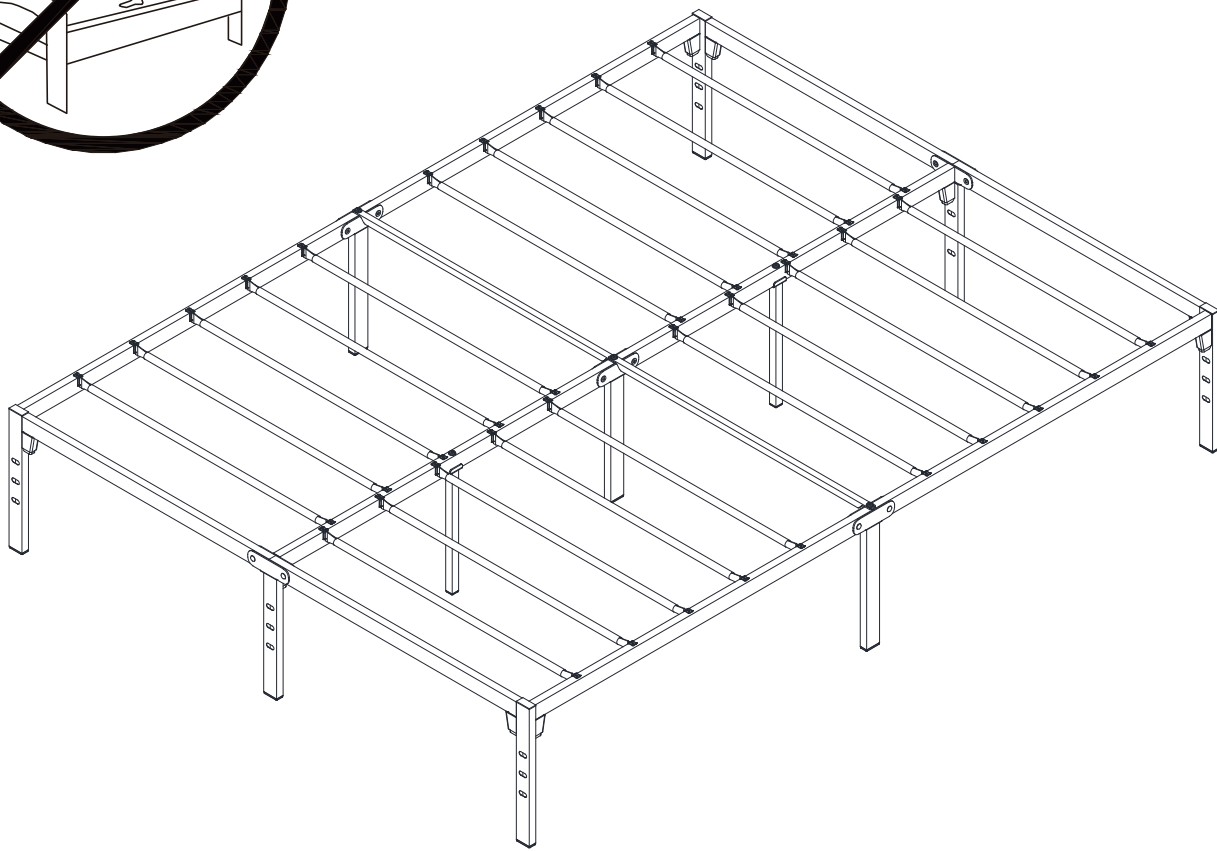
8



A		3 pcs
M8x55		

9





Installation Completed