



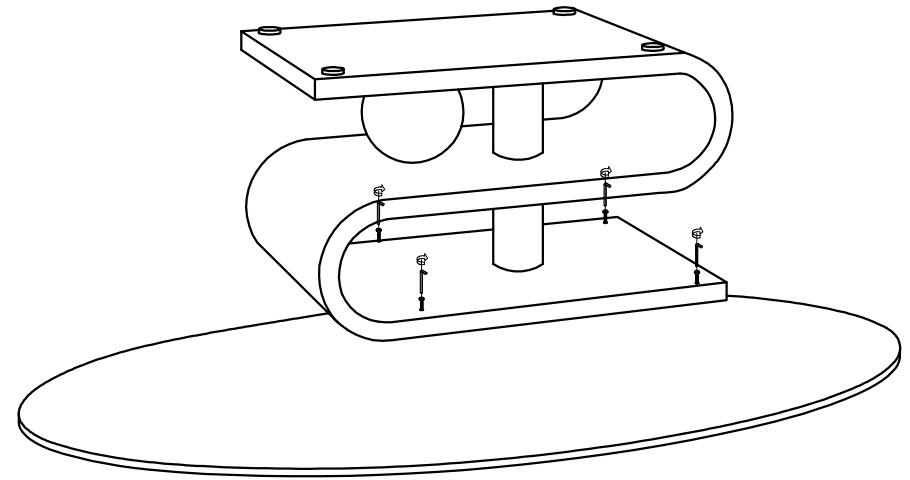
# Installation & assembly

Product Name

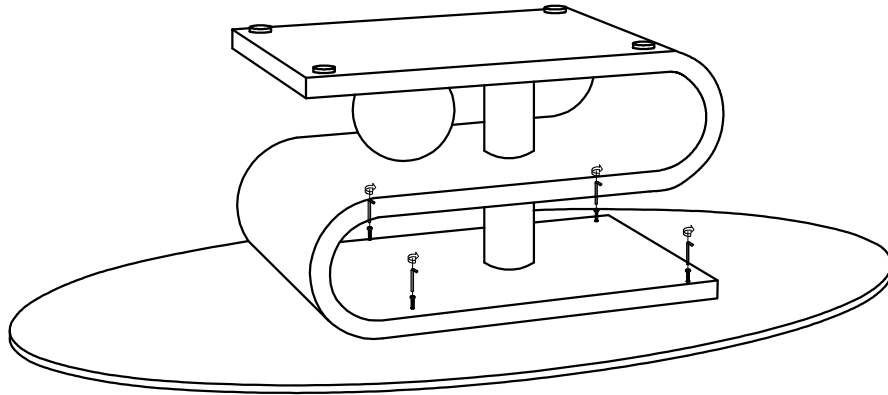
WH-SCT-1101

## Hardware Pack

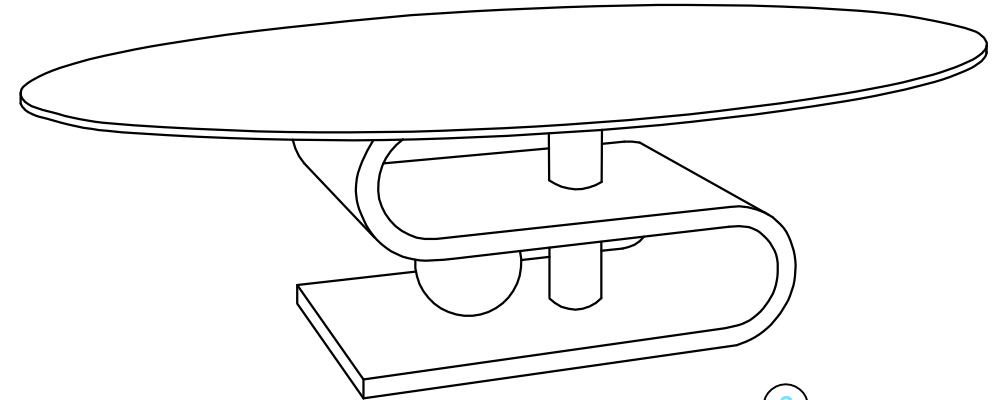
Name	Shape	QTY	Name	Shape	QTY
socket wrench		1	M8*25 Guide screw		4



1



2



3

① countertop x1 , table leg x1

③ Set the table upright,  
completing the installation

② Turn the table top over and screw into the  
holes in the bottom of the table top and  
then into the holes in the base.