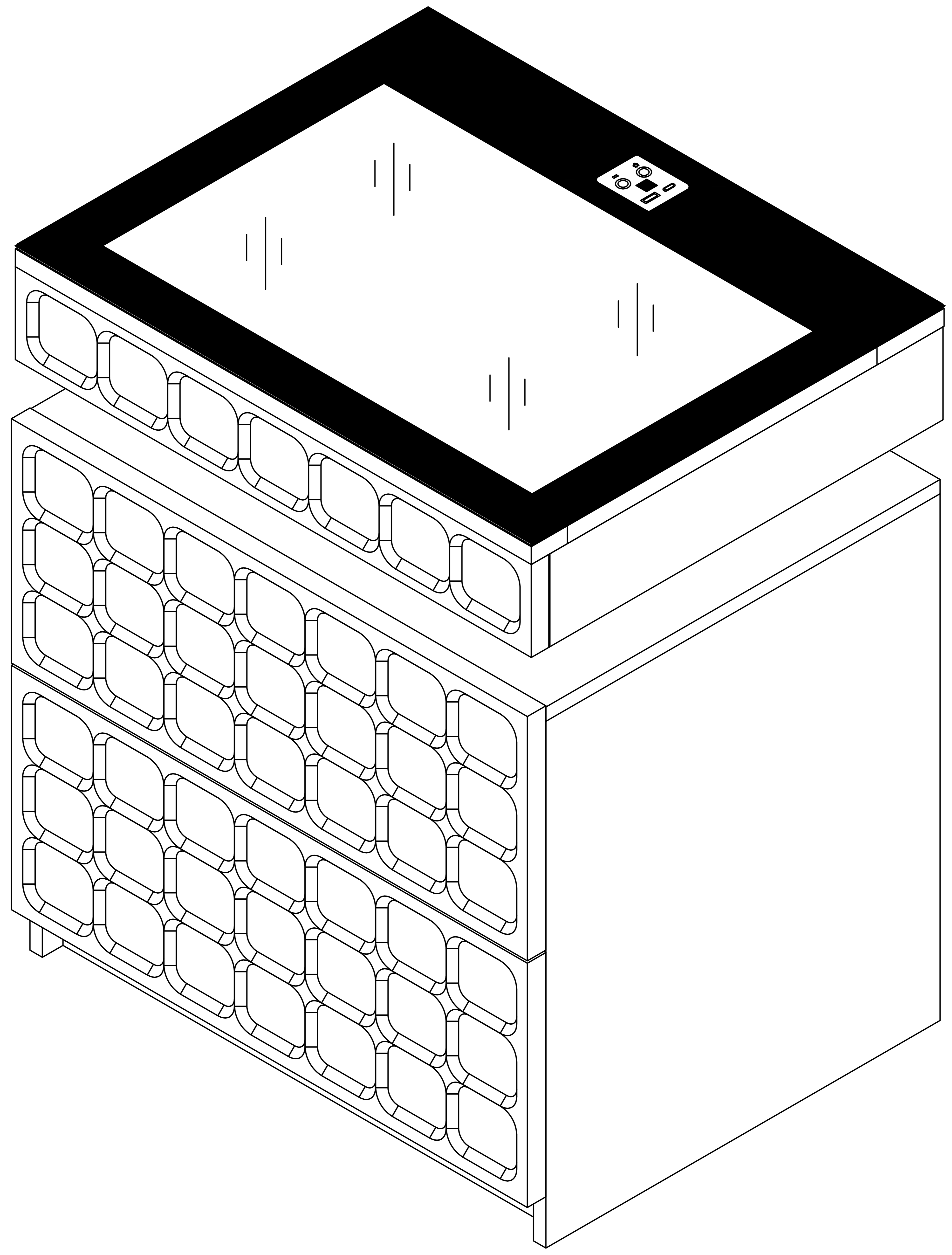
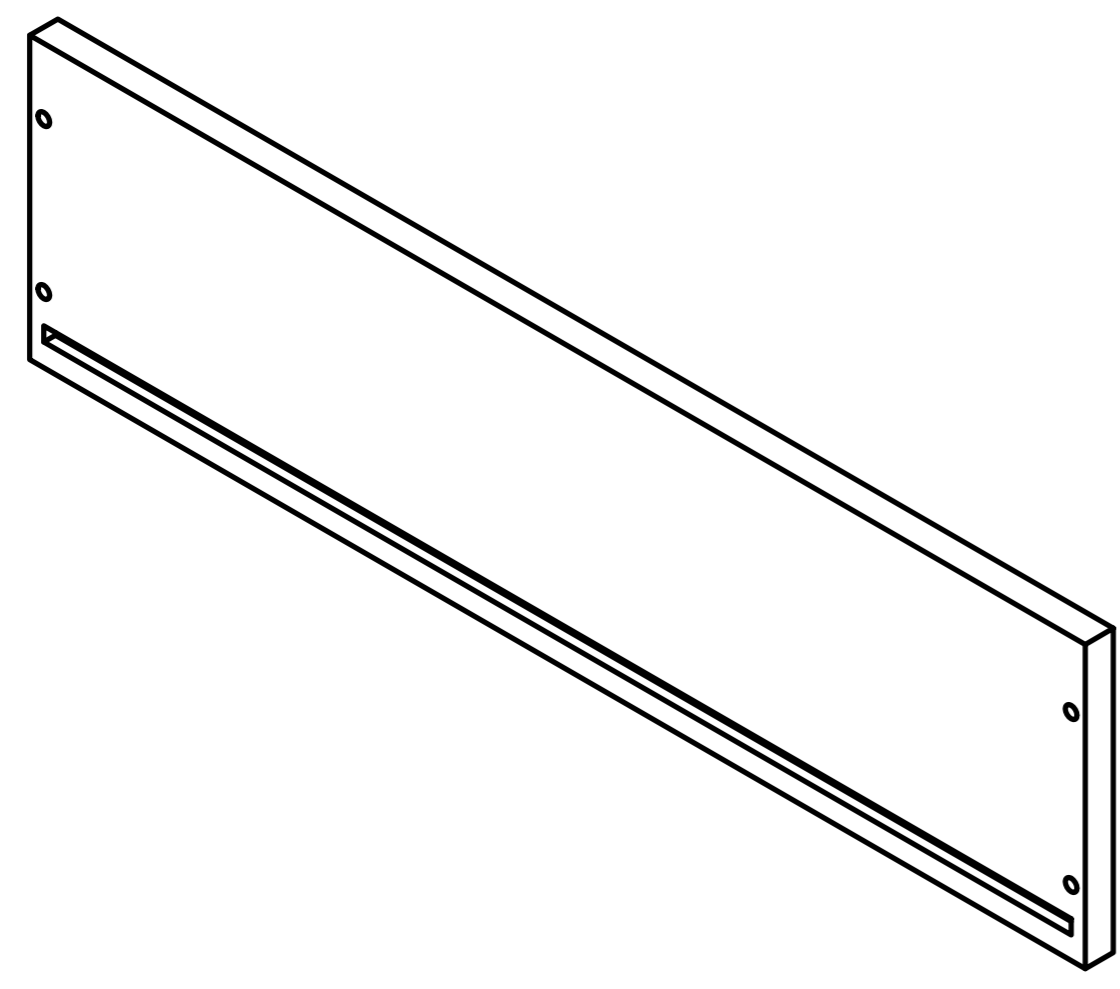
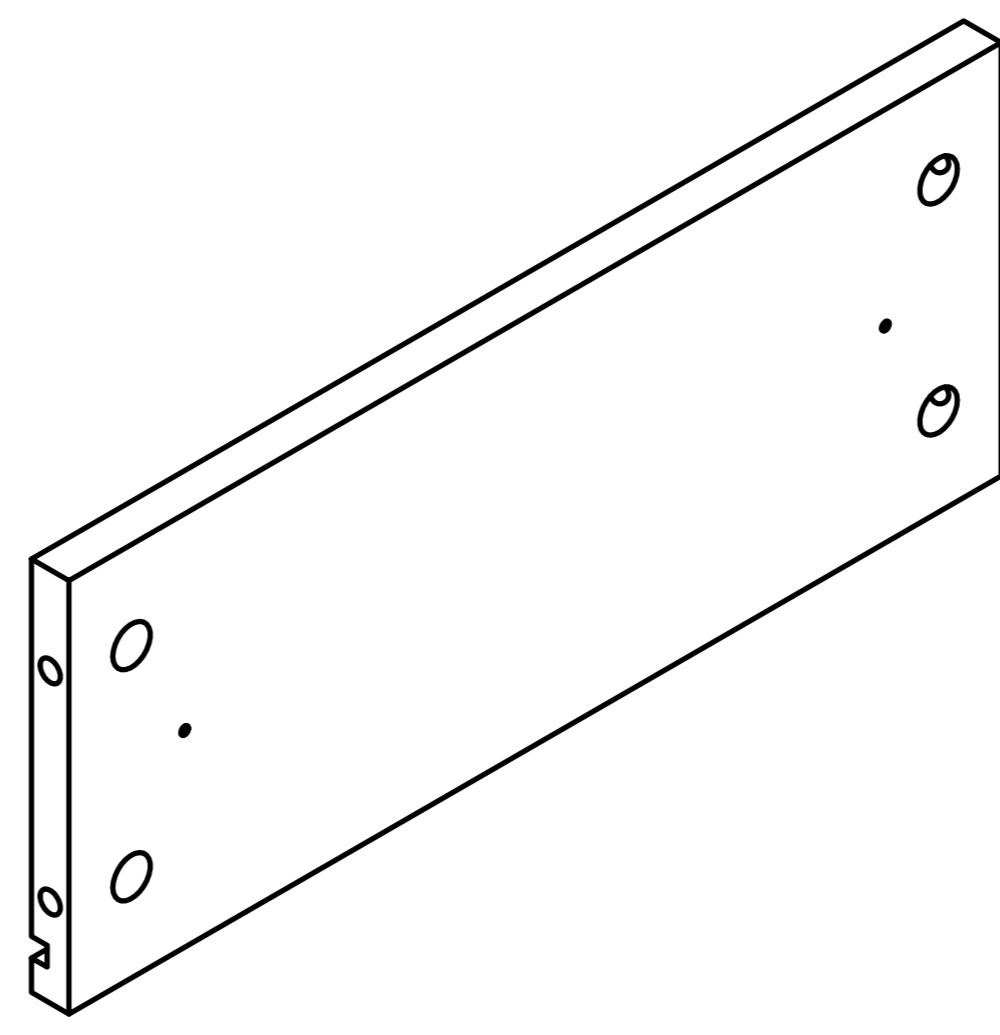


# 91147 Product Installation Instructions

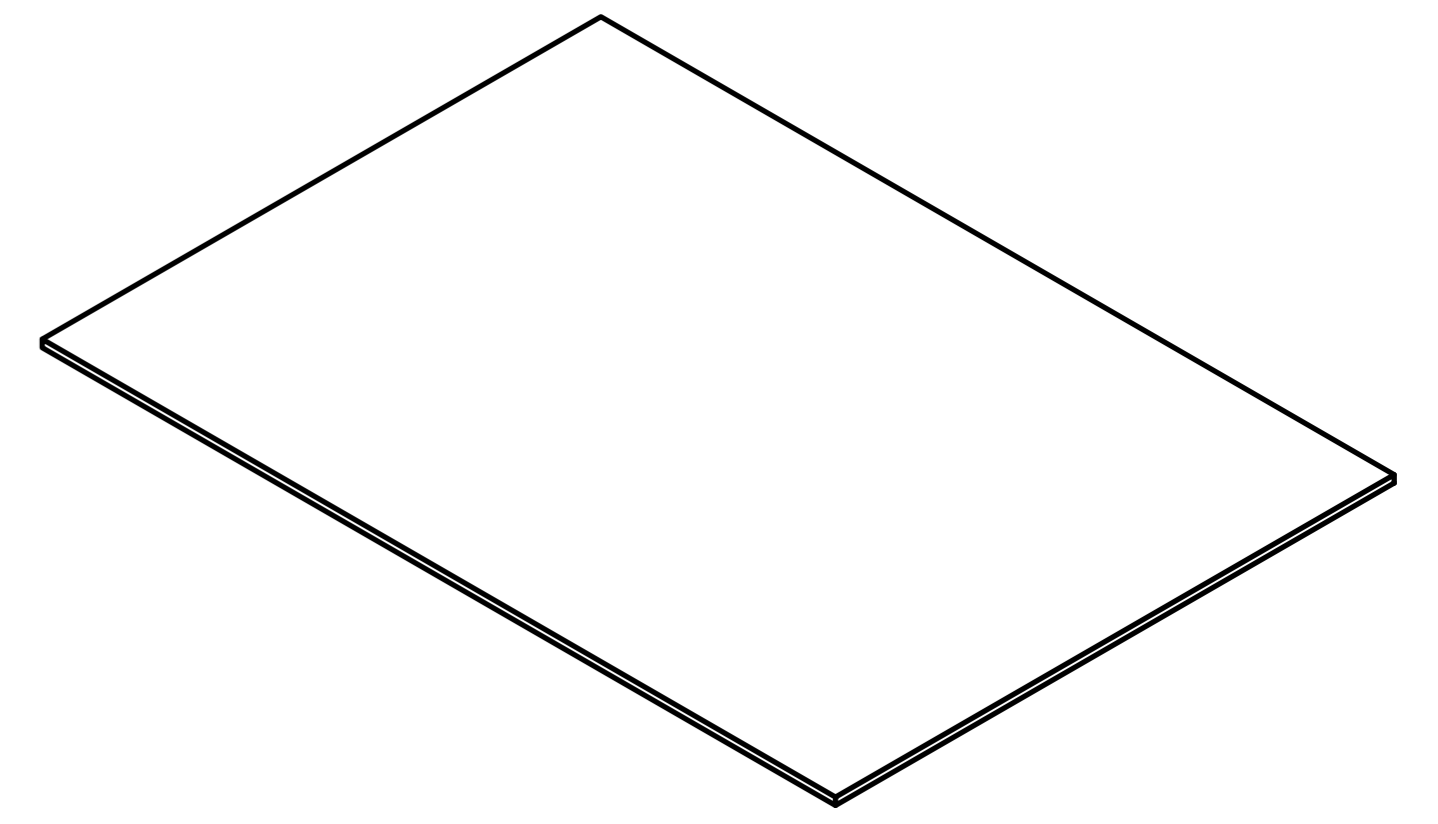




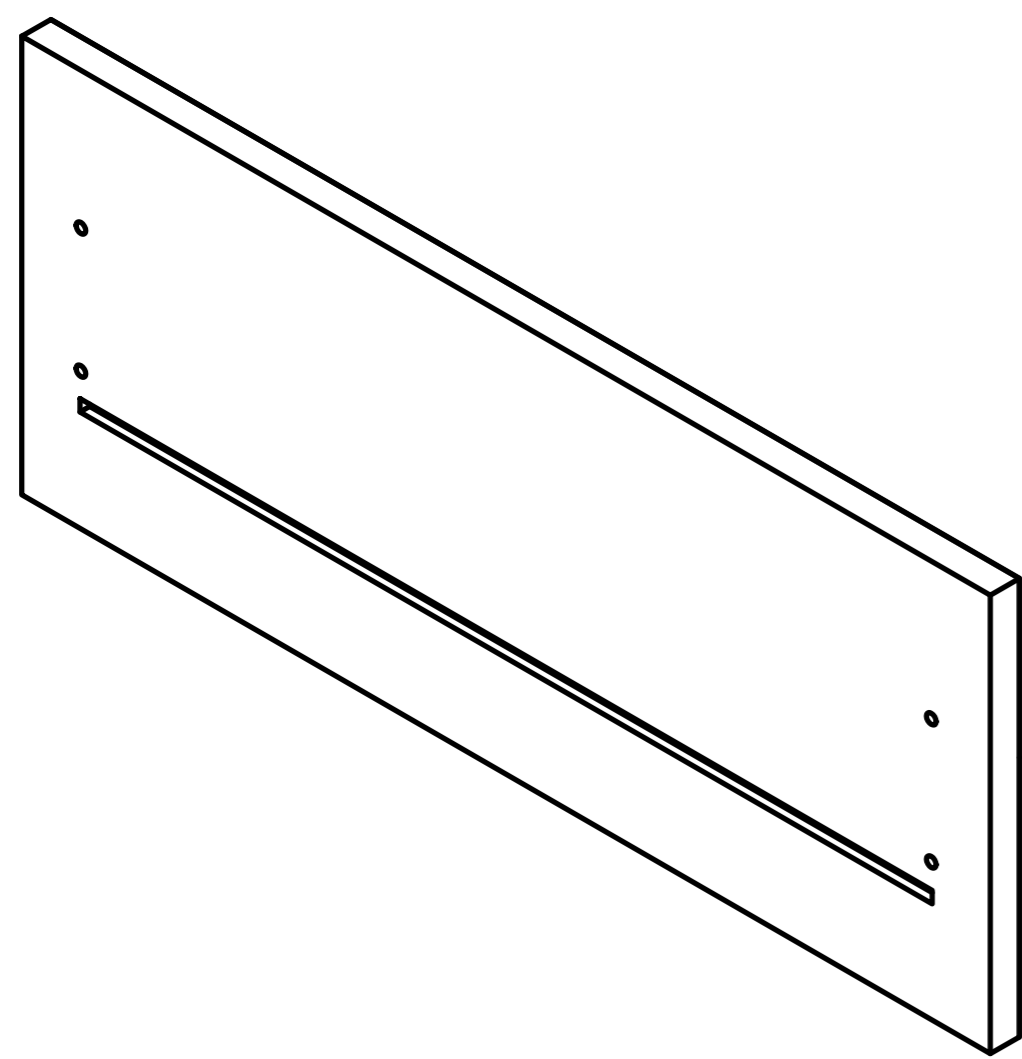
**Ax2**



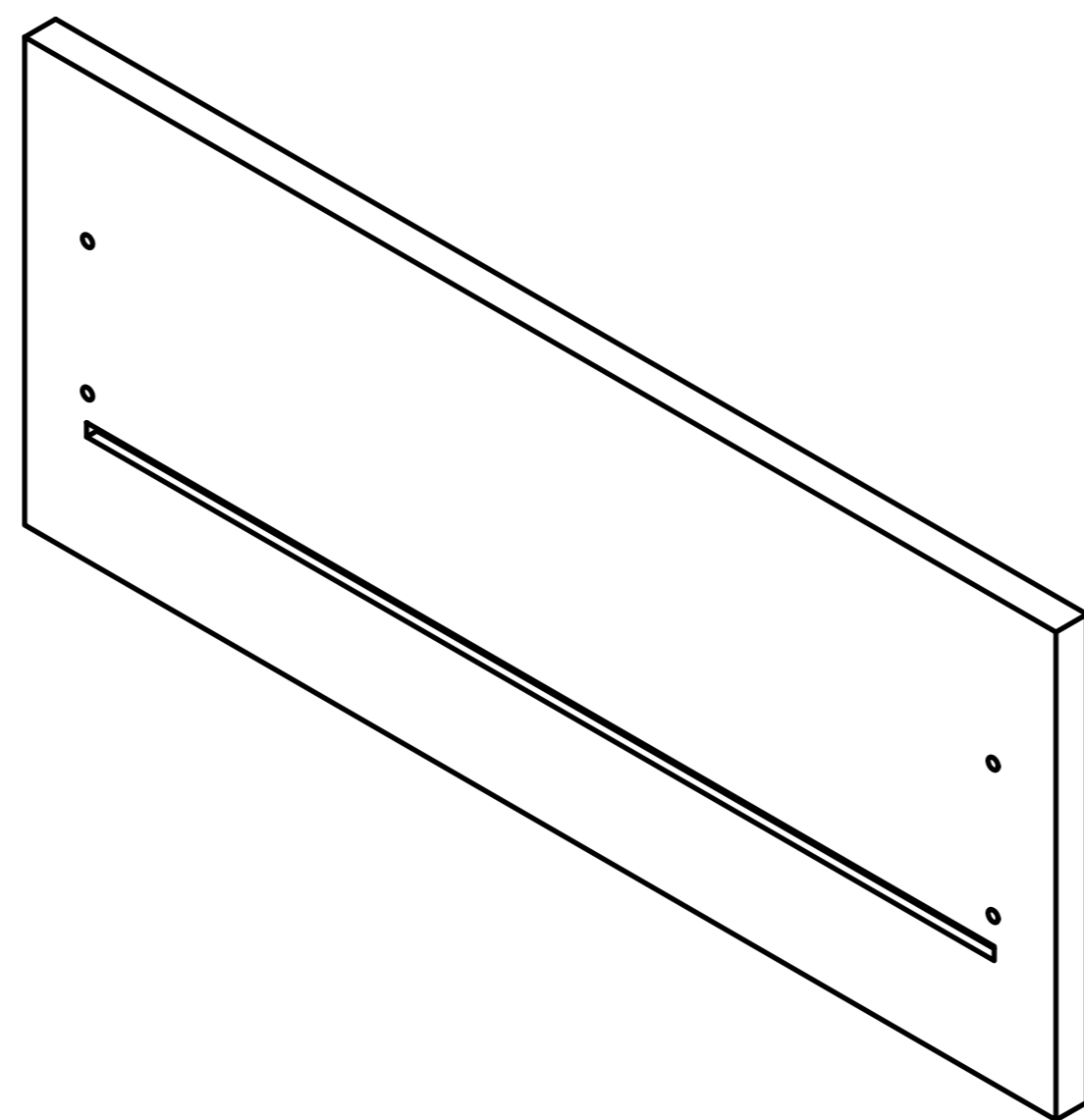
**Bx4**



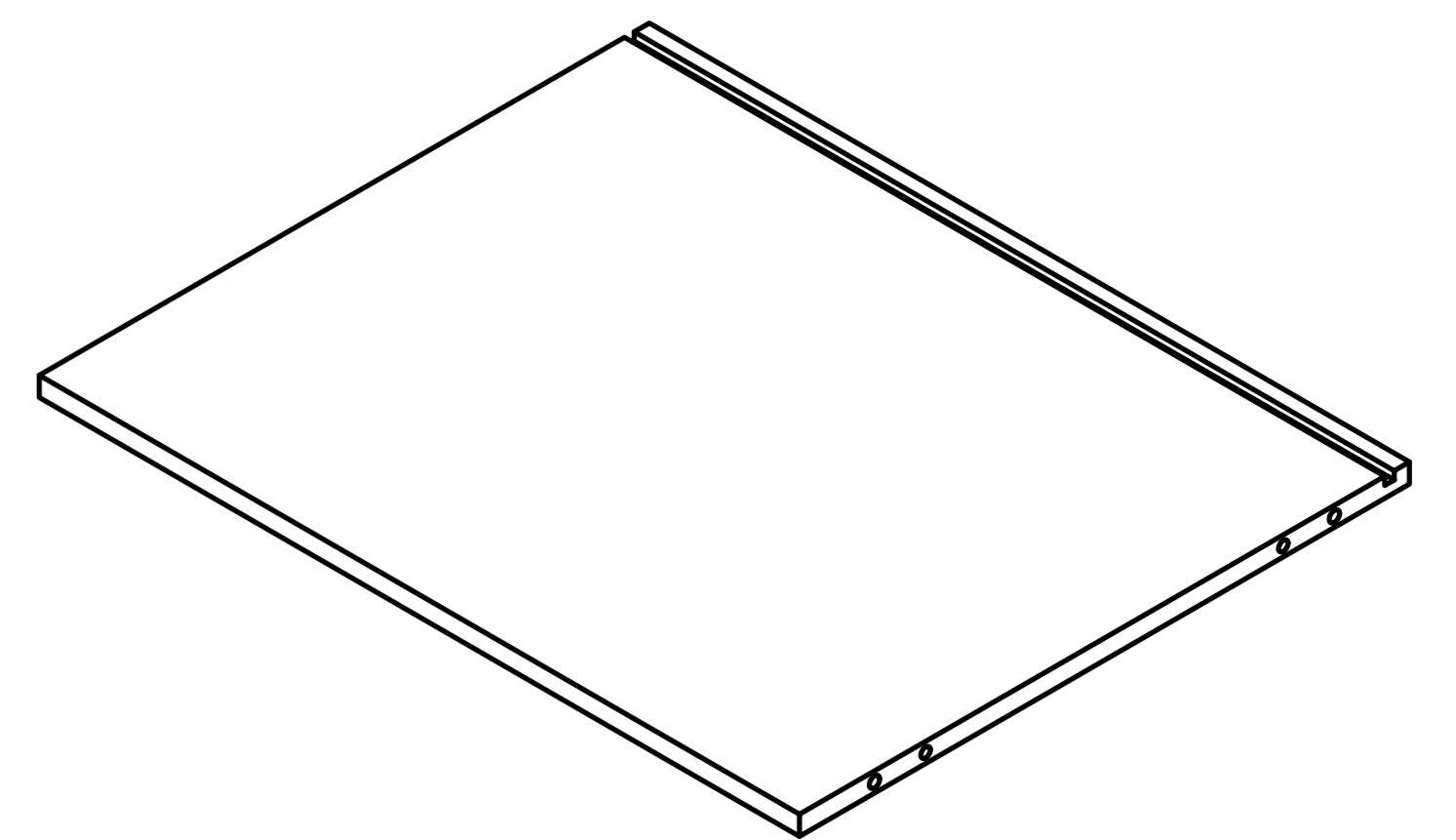
**Cx2**



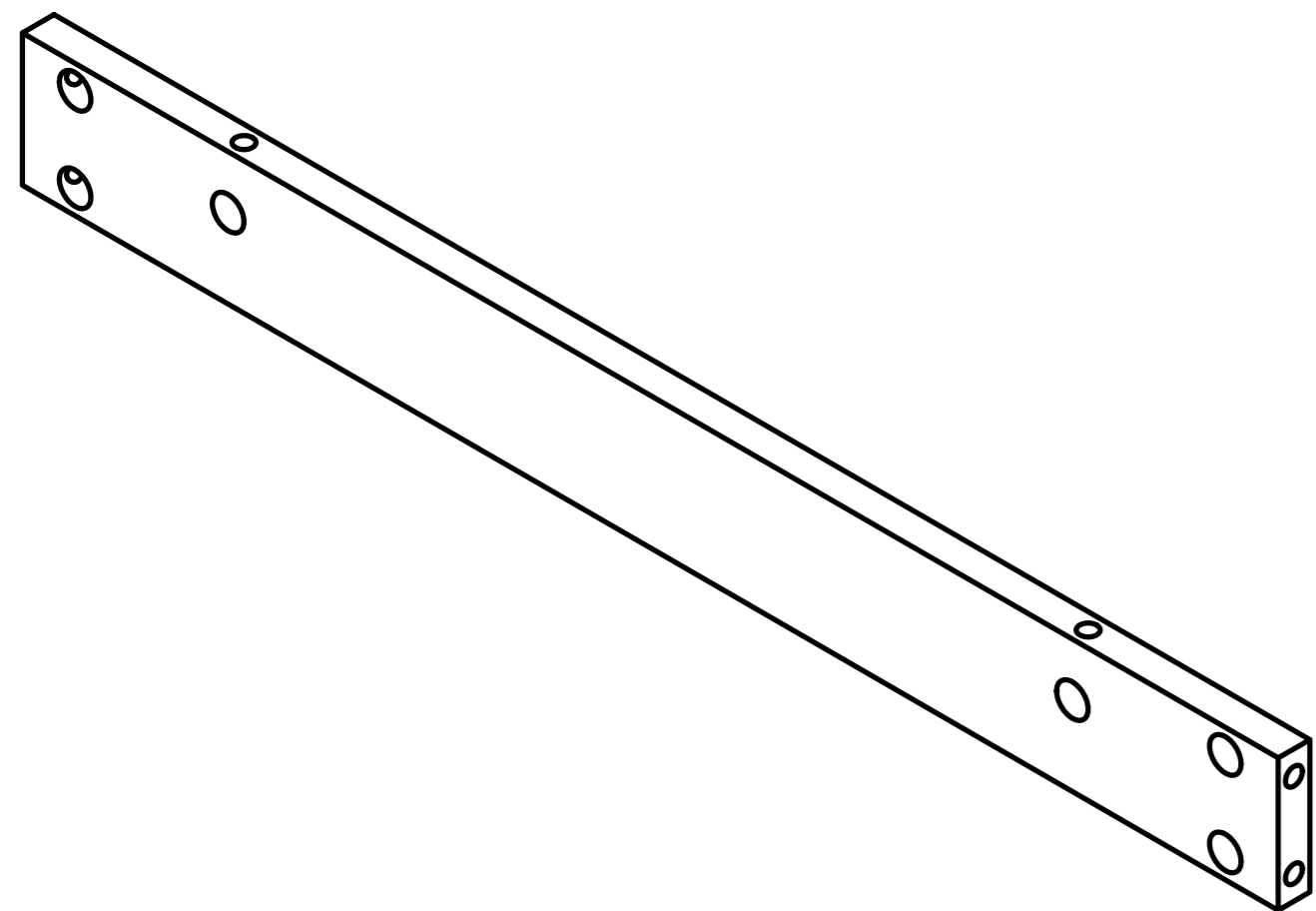
**Dx1**



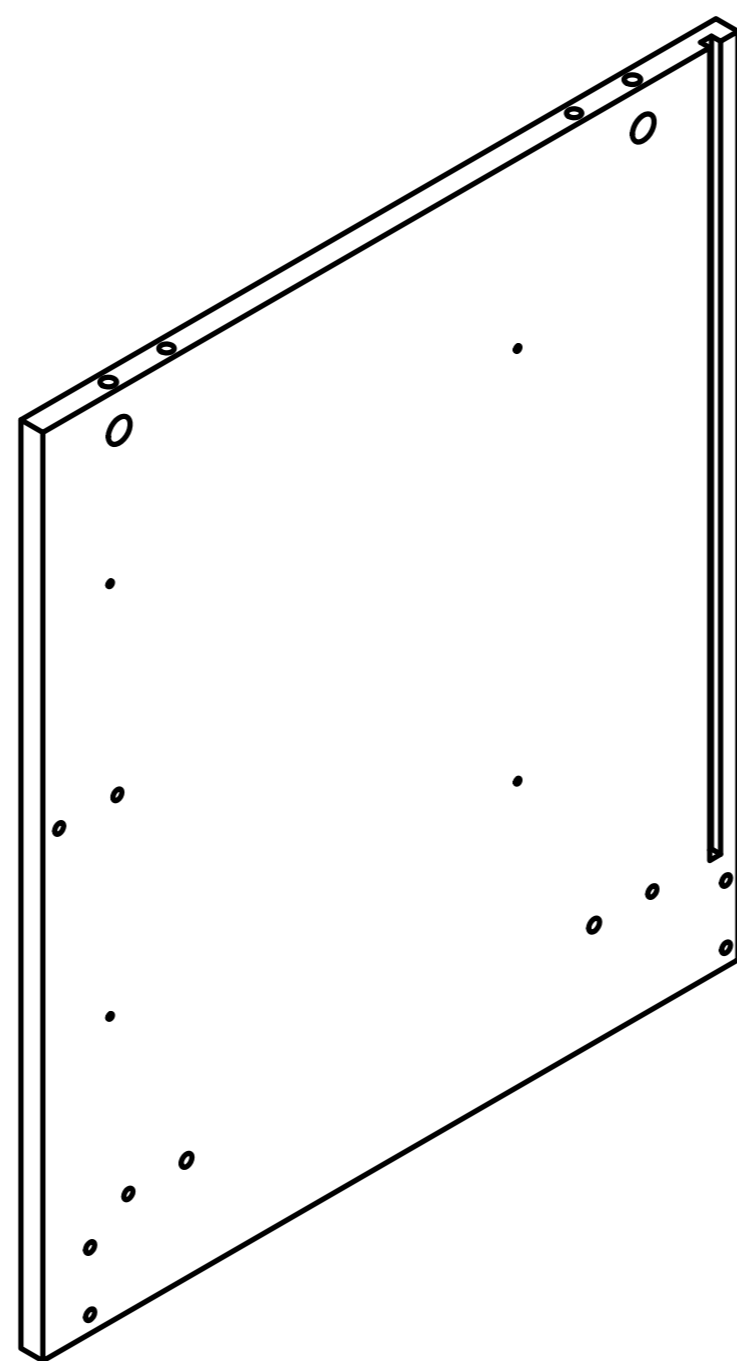
**Ex1**



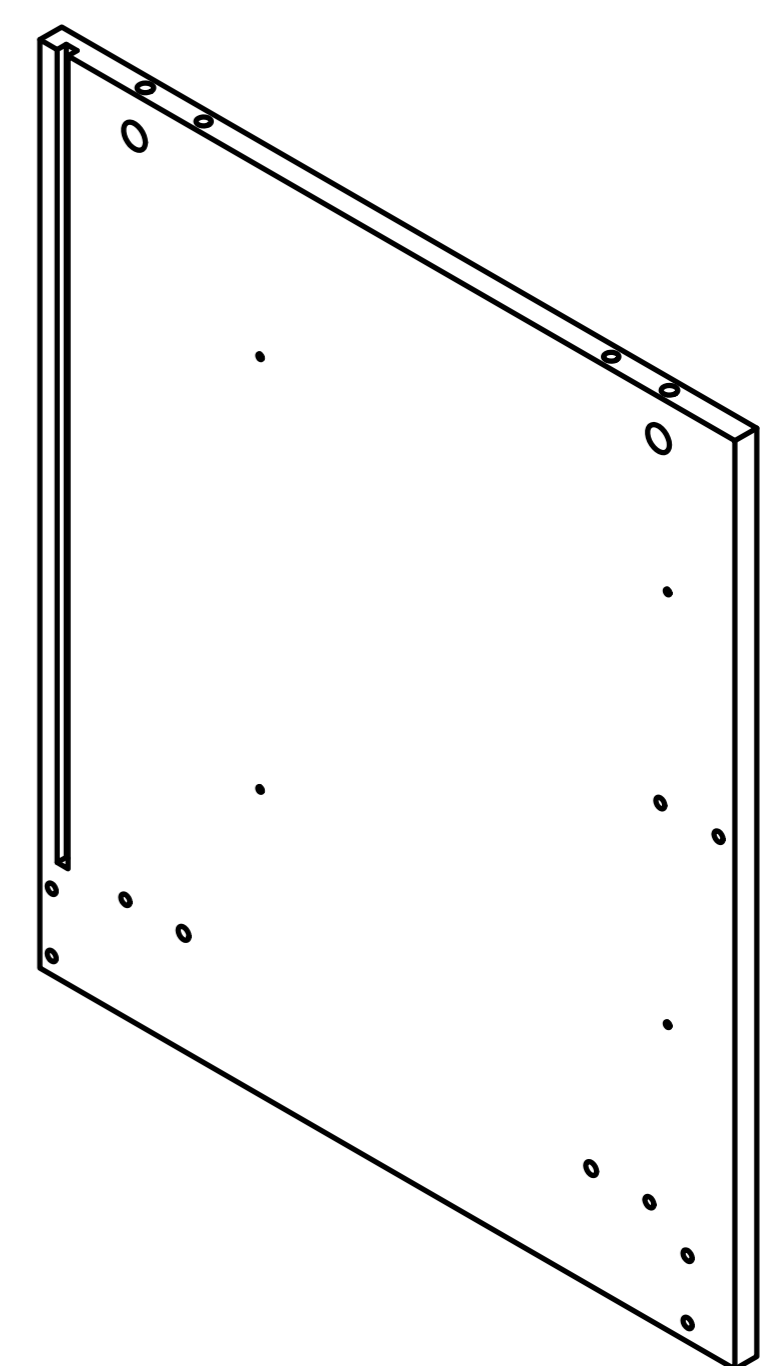
**Fx1**



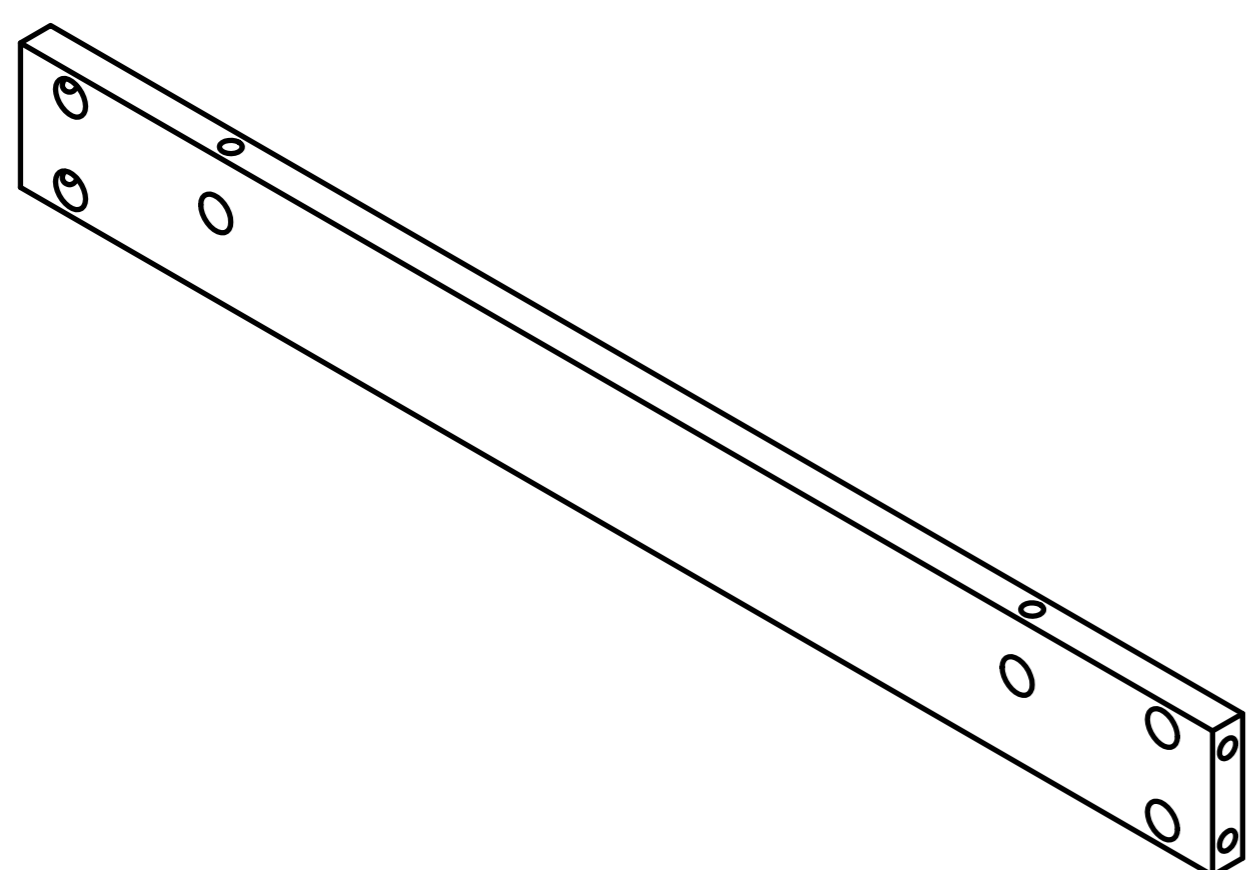
**Gx2**



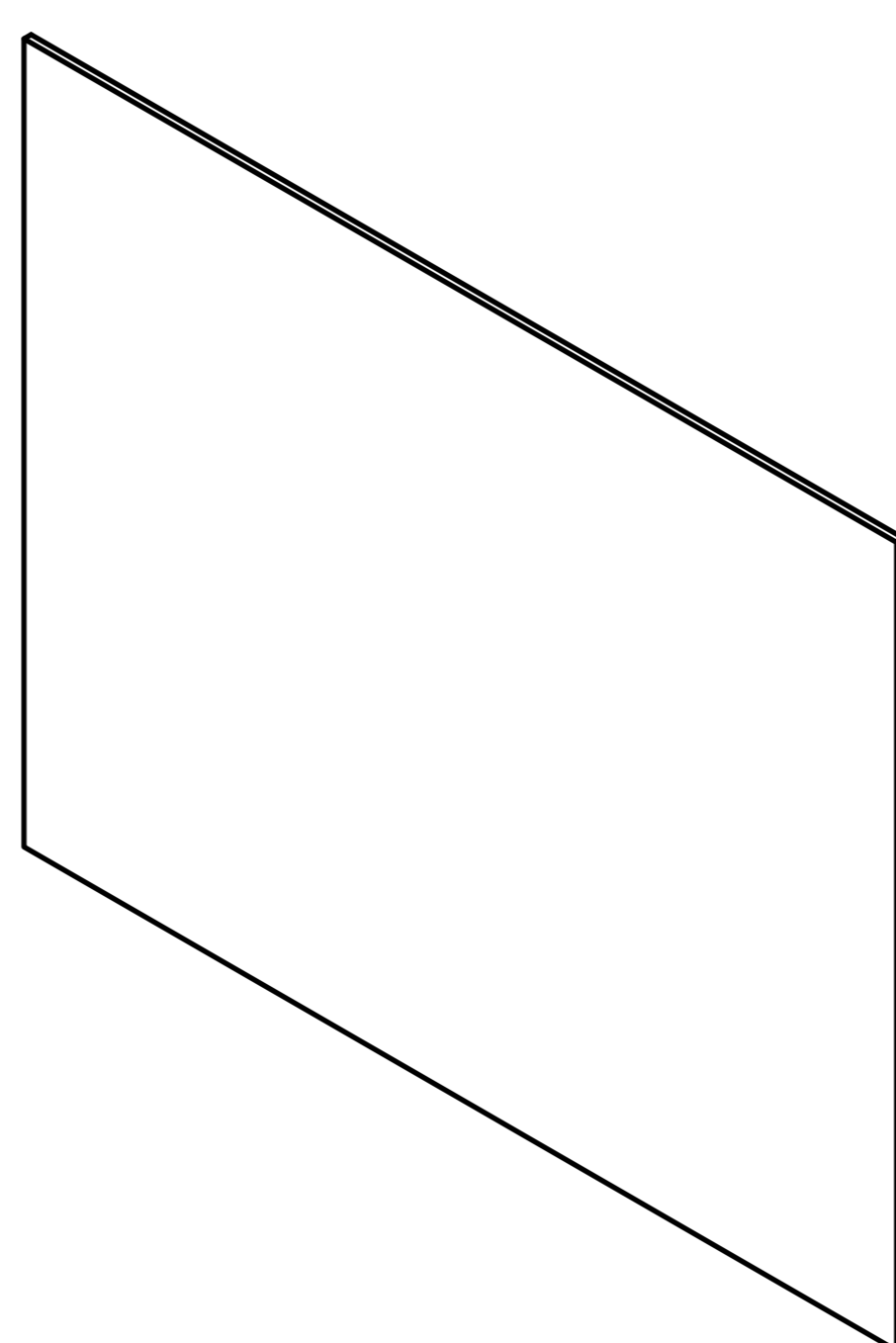
**Hx1**



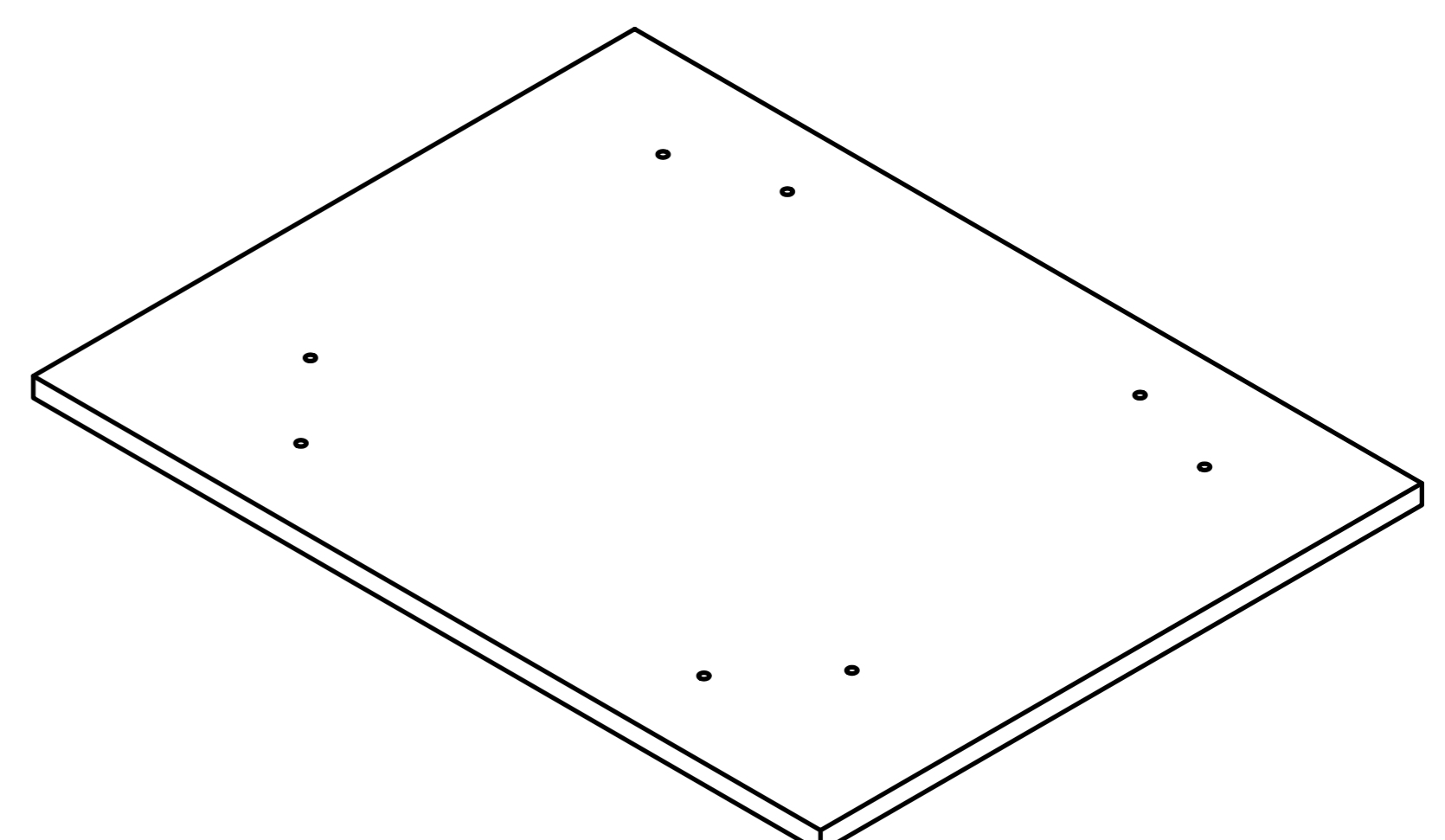
**Ix1**



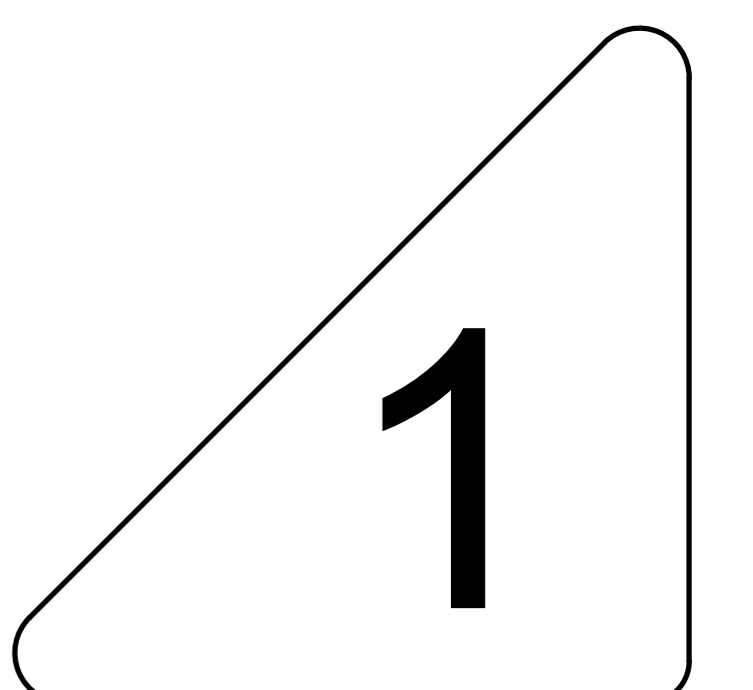
**Jx1**



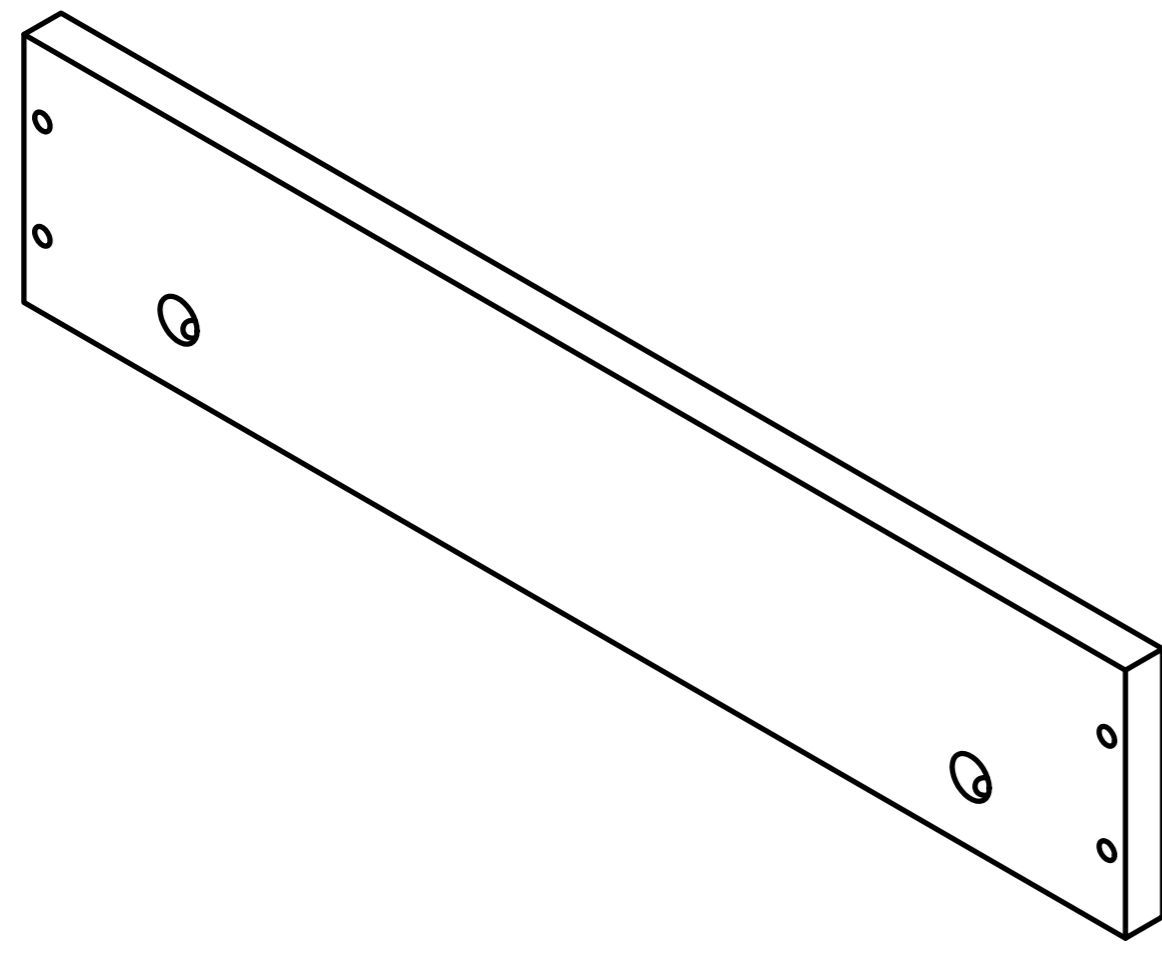
**Kx1**



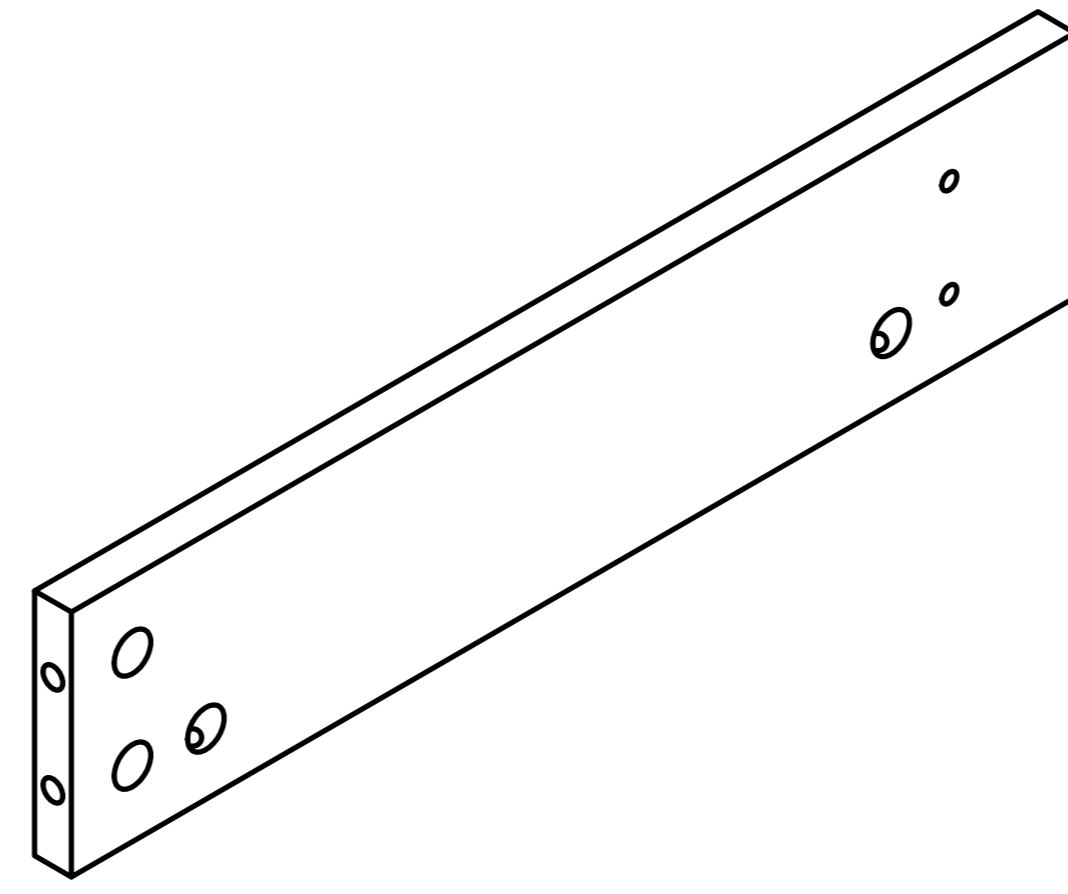
**Lx1**



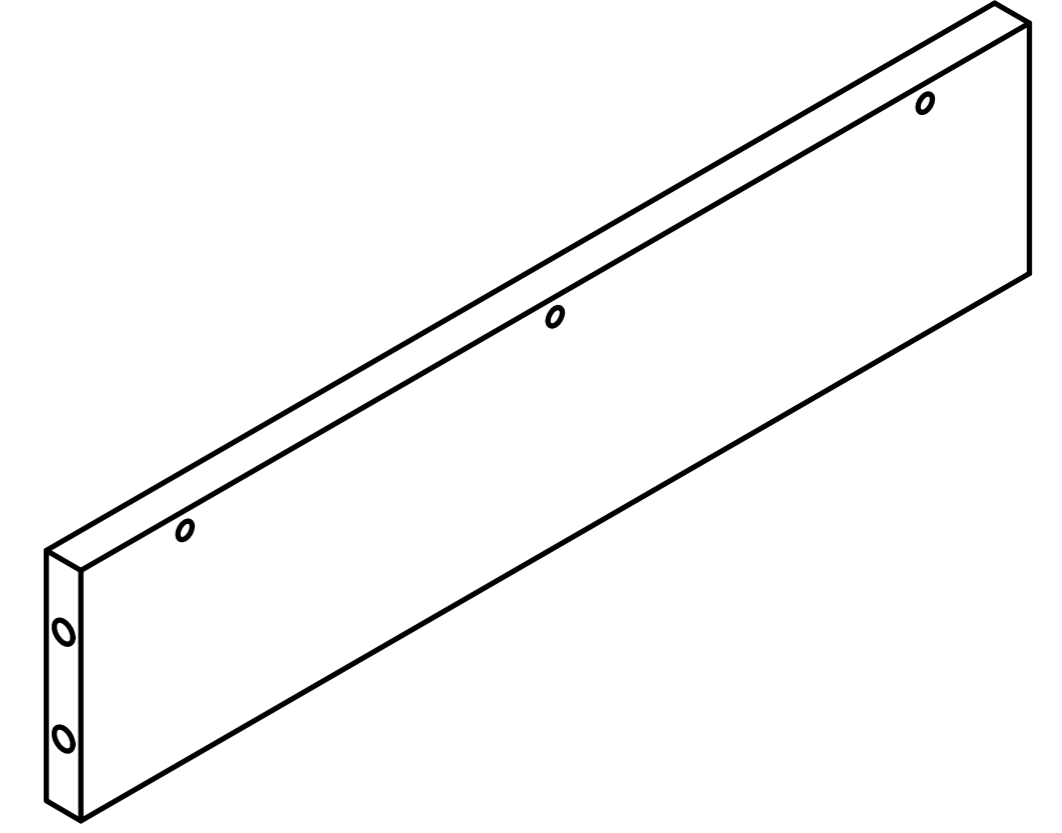
**1**



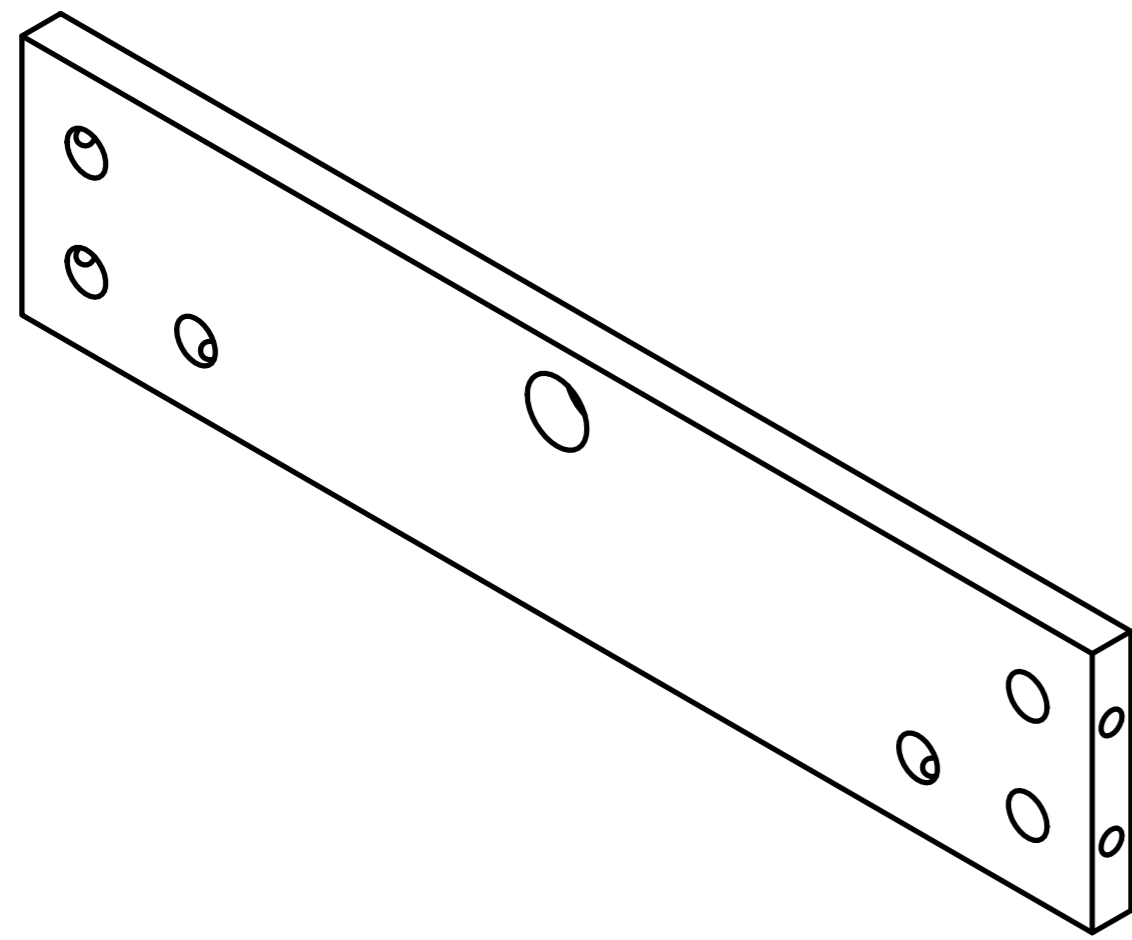
**Mx1**



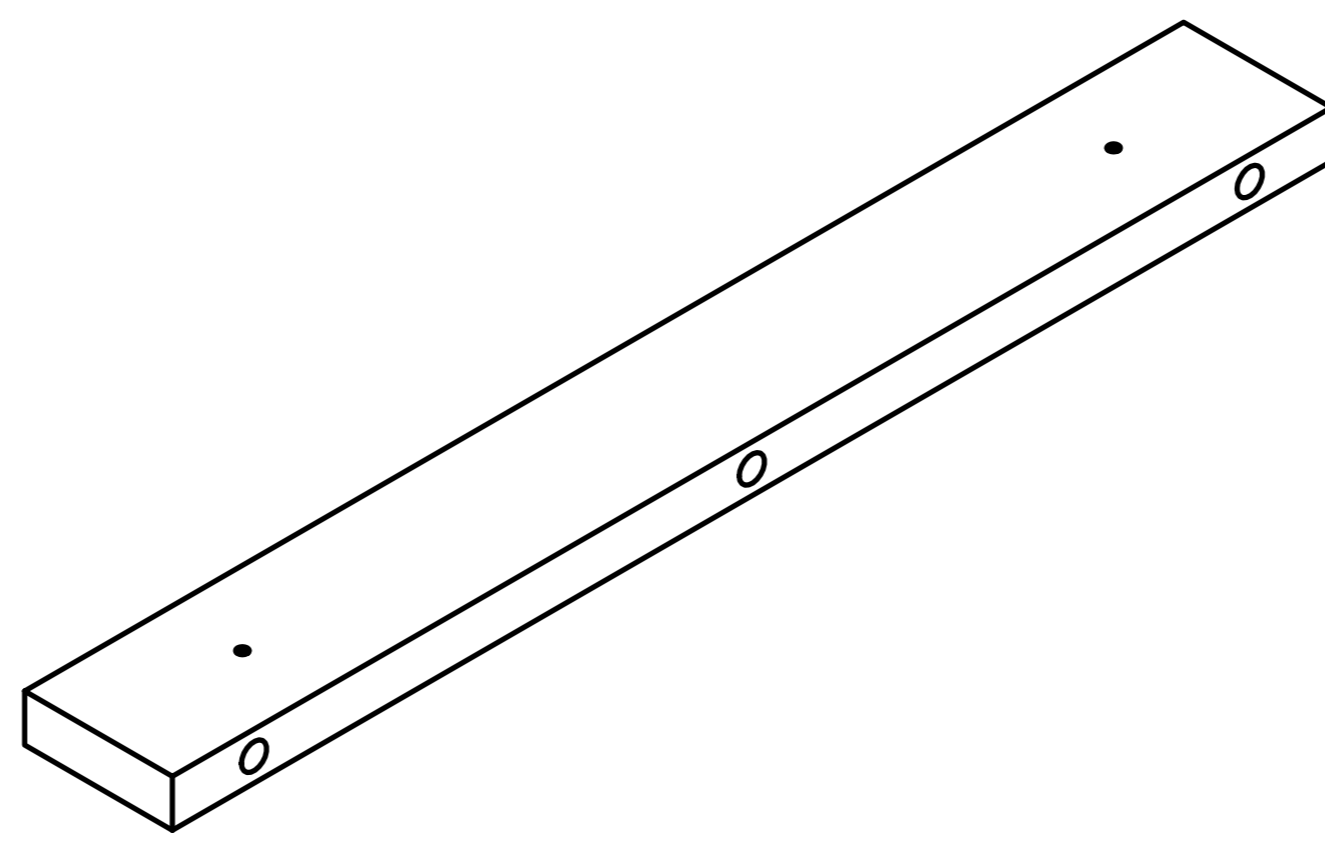
**Nx1**



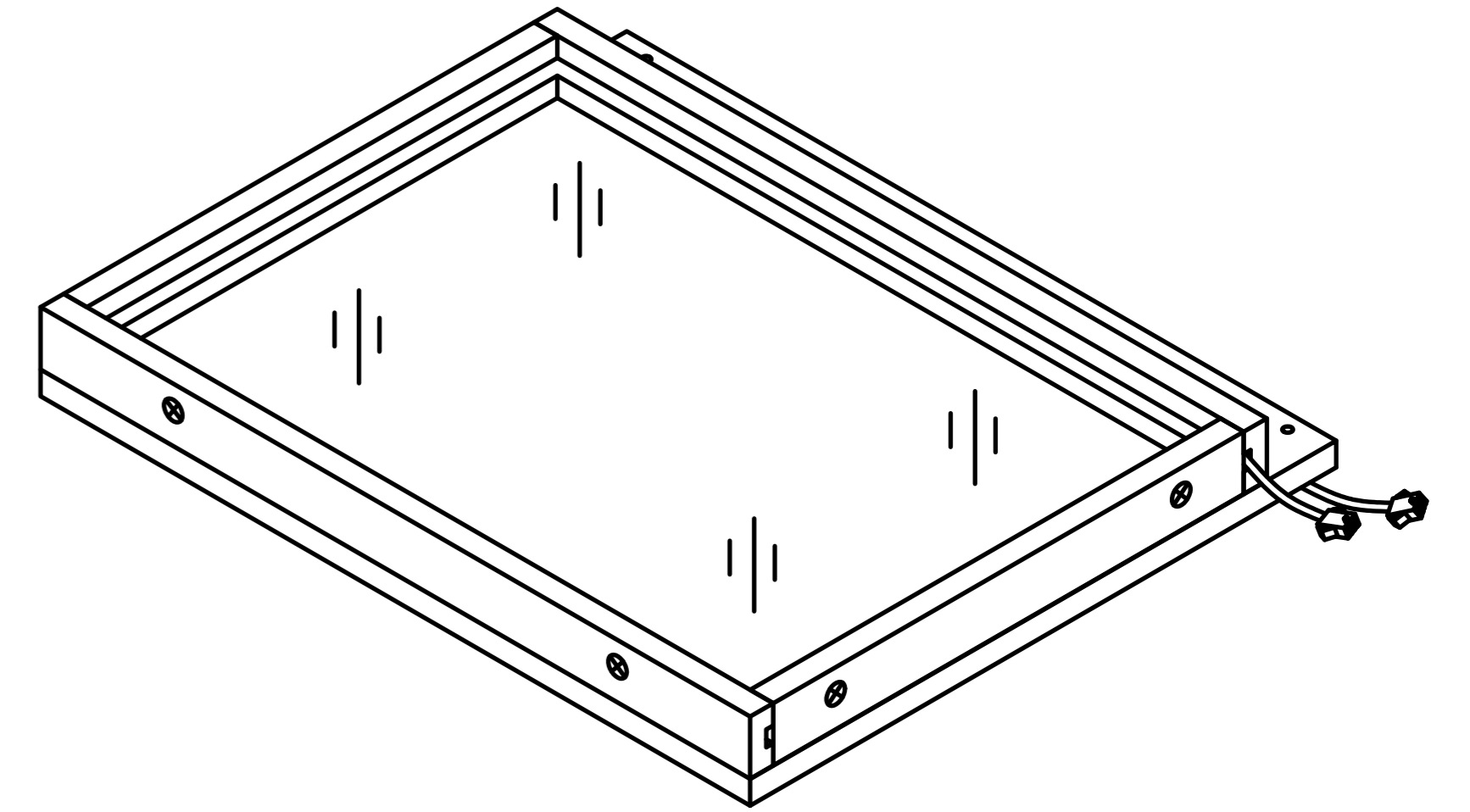
**Ox1**



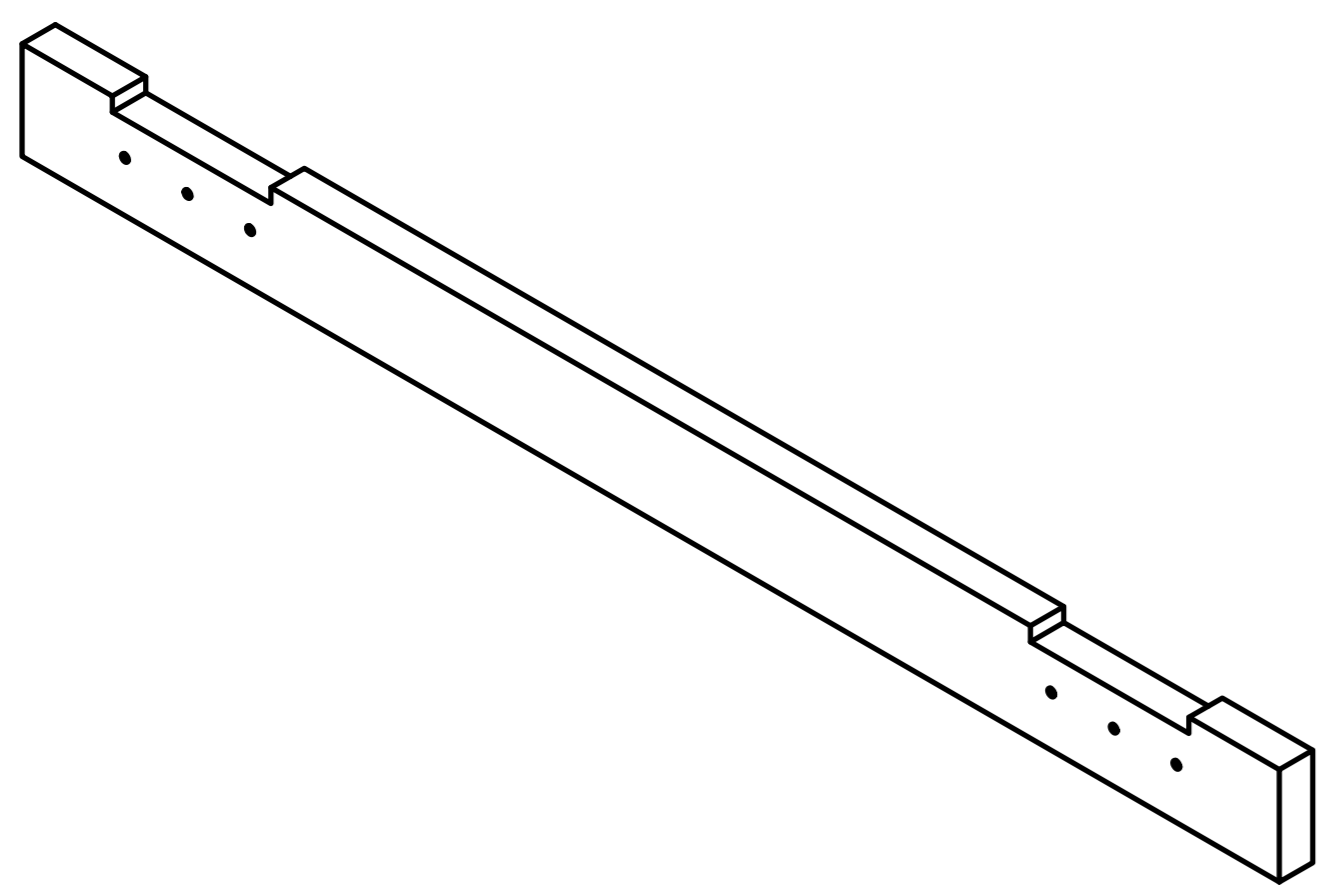
**Px1**



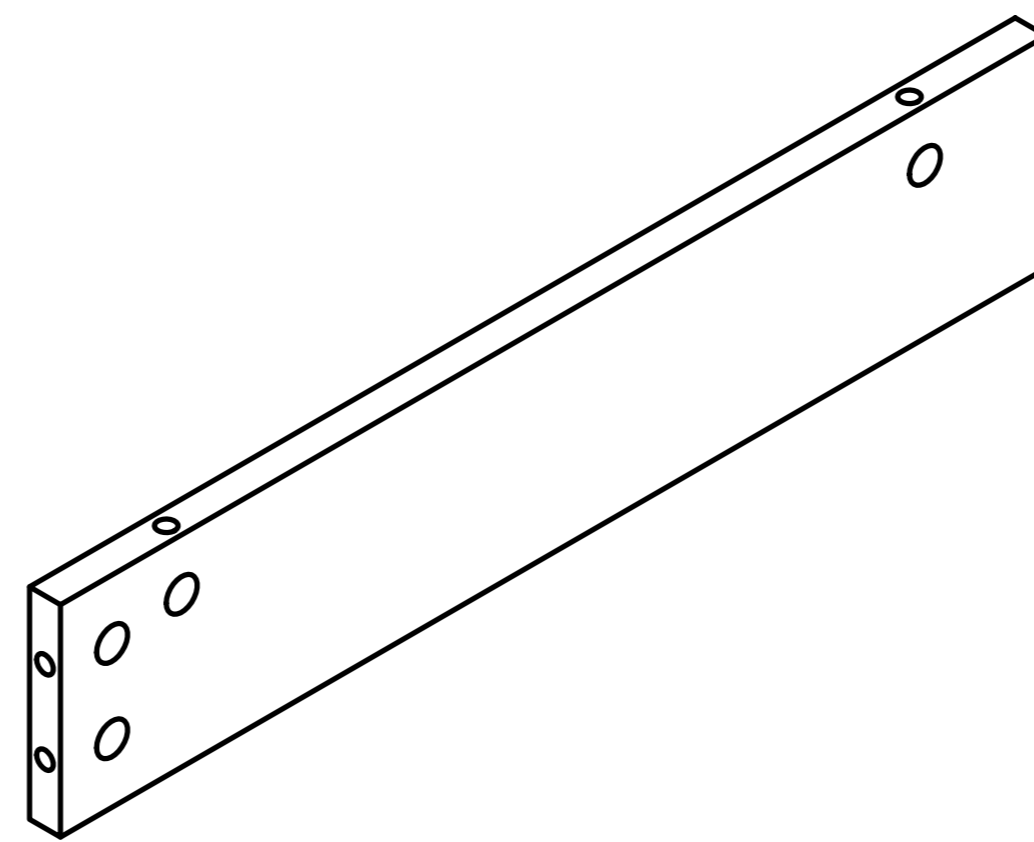
**Qx2**



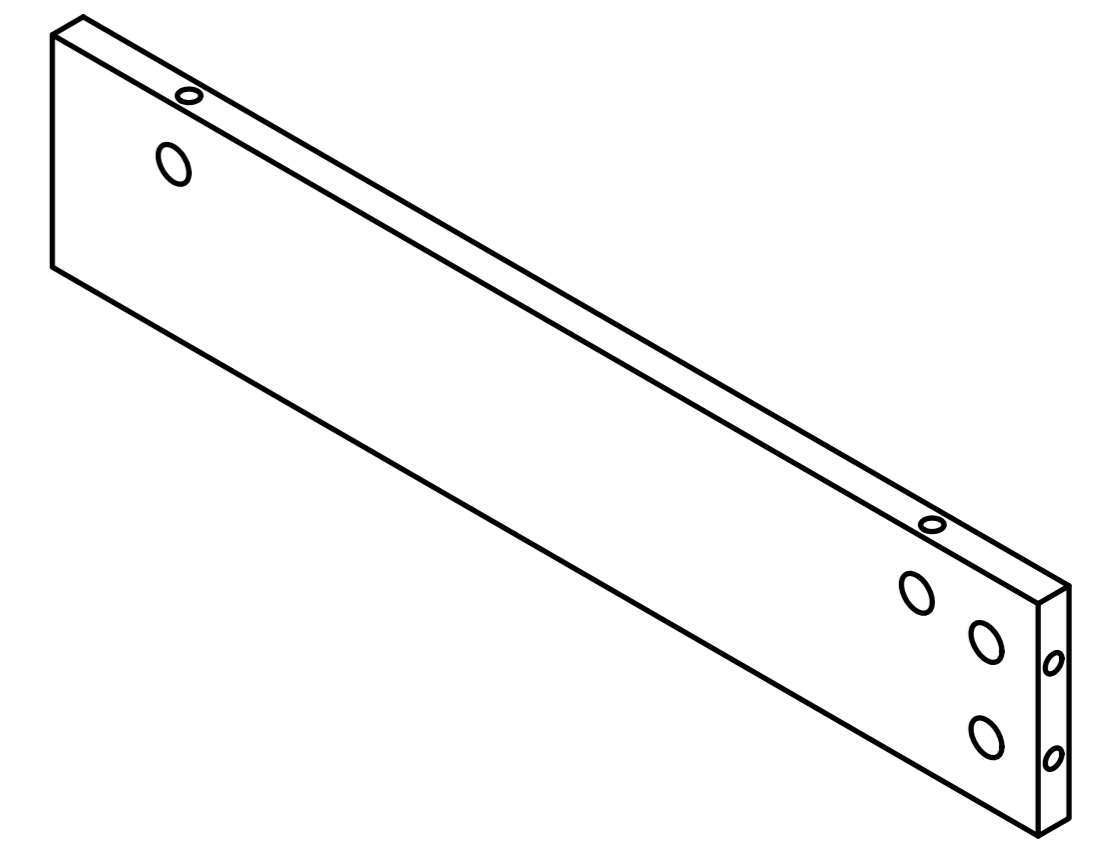
**Rx1**



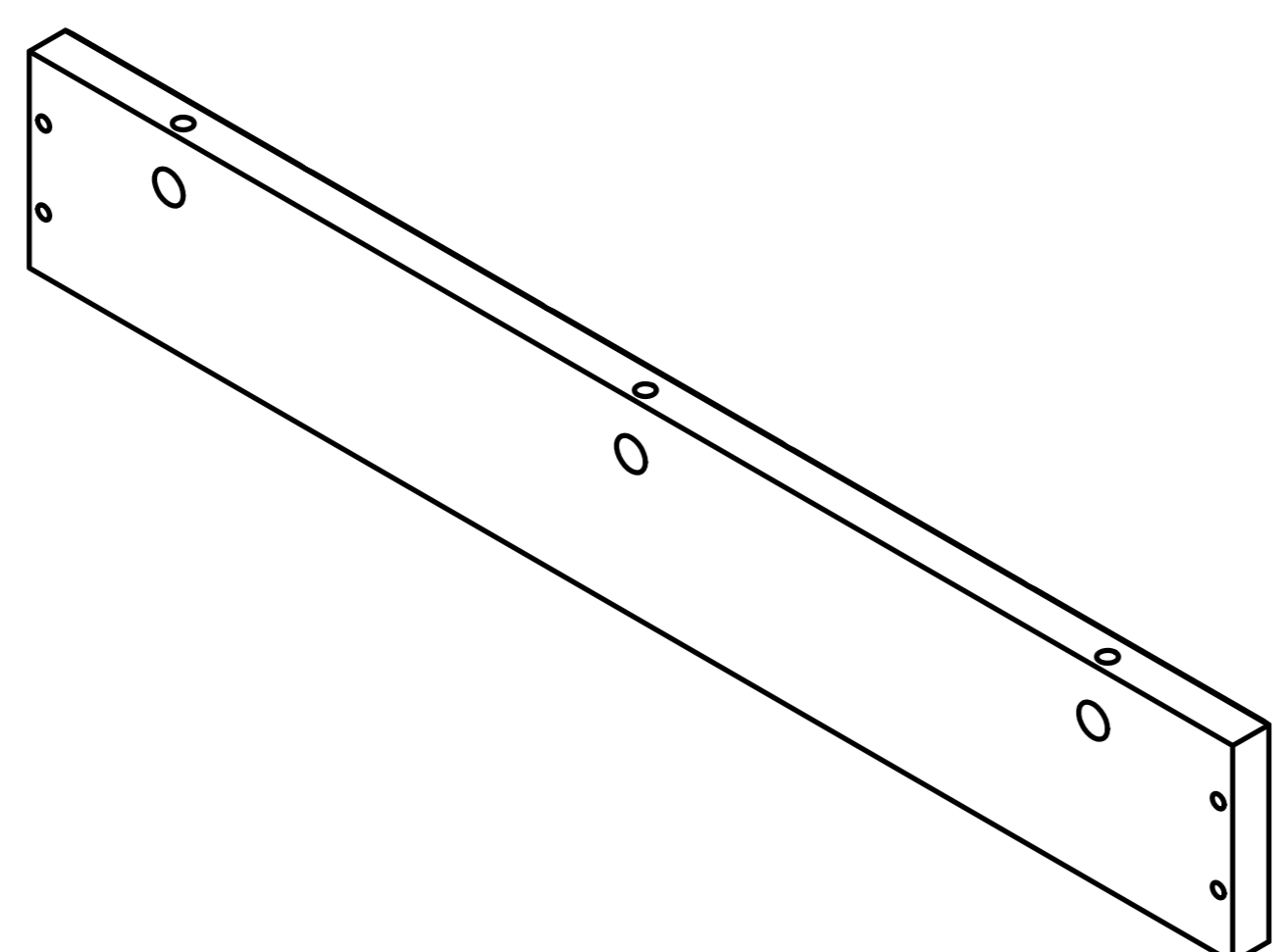
**Sx1**



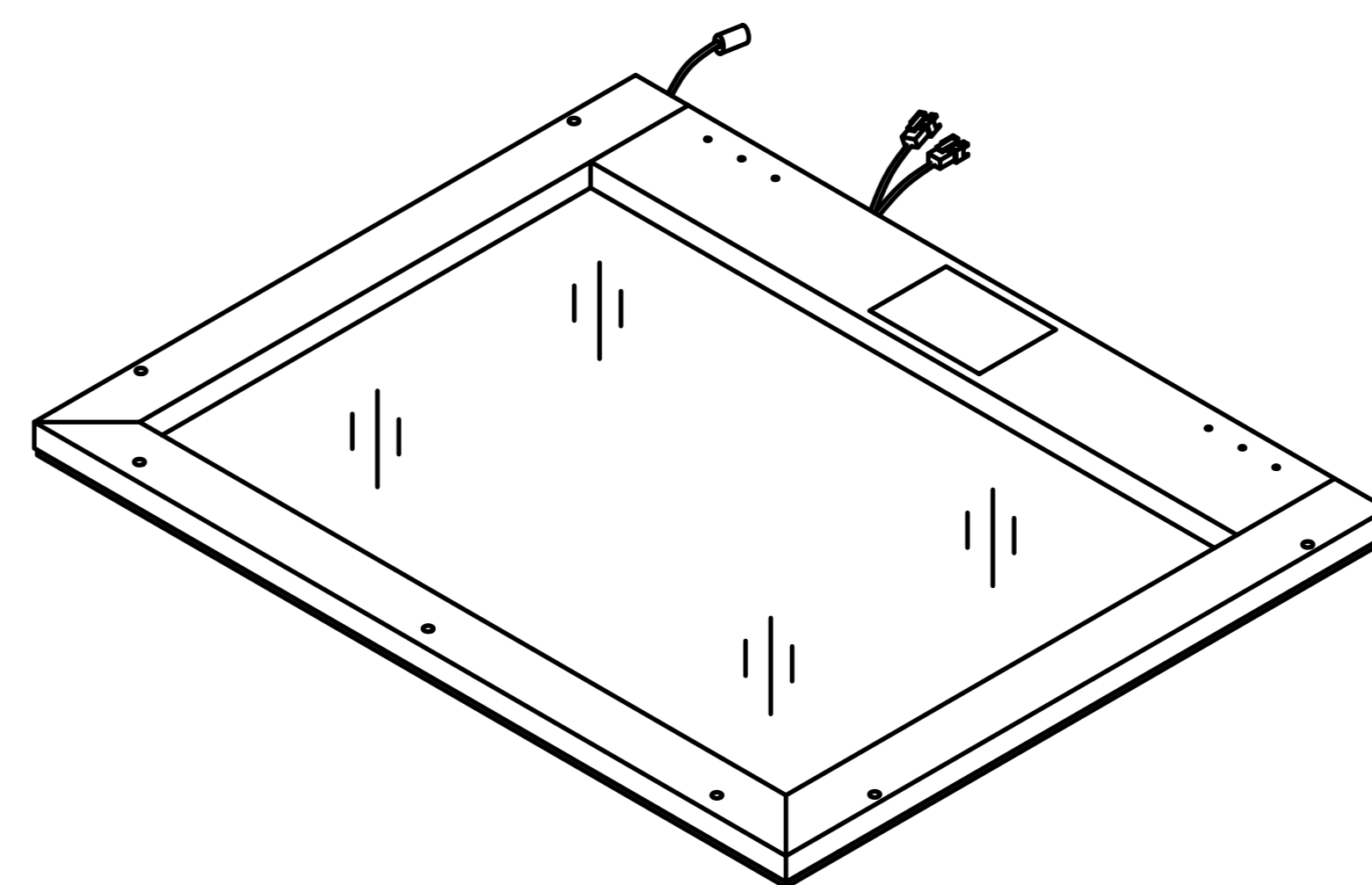
**Tx1**



**Ux1**

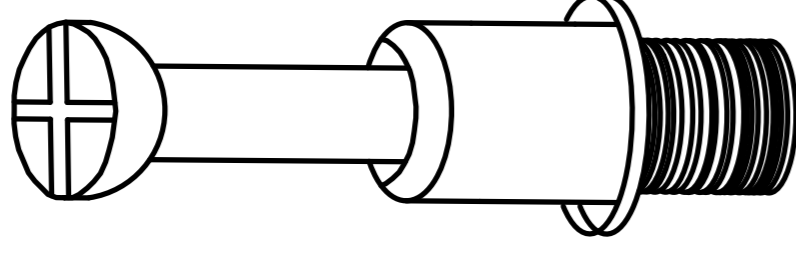
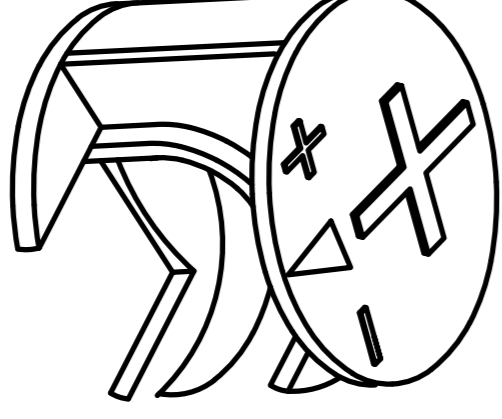
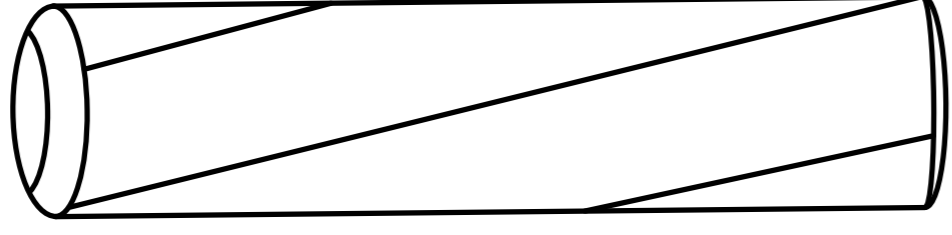
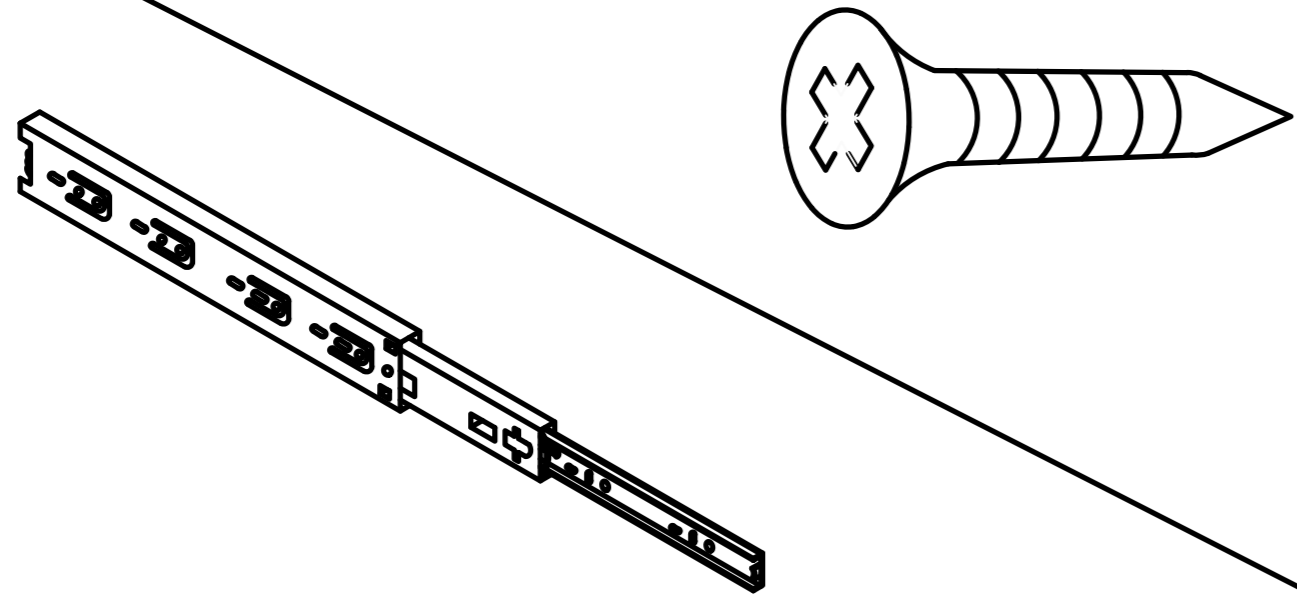

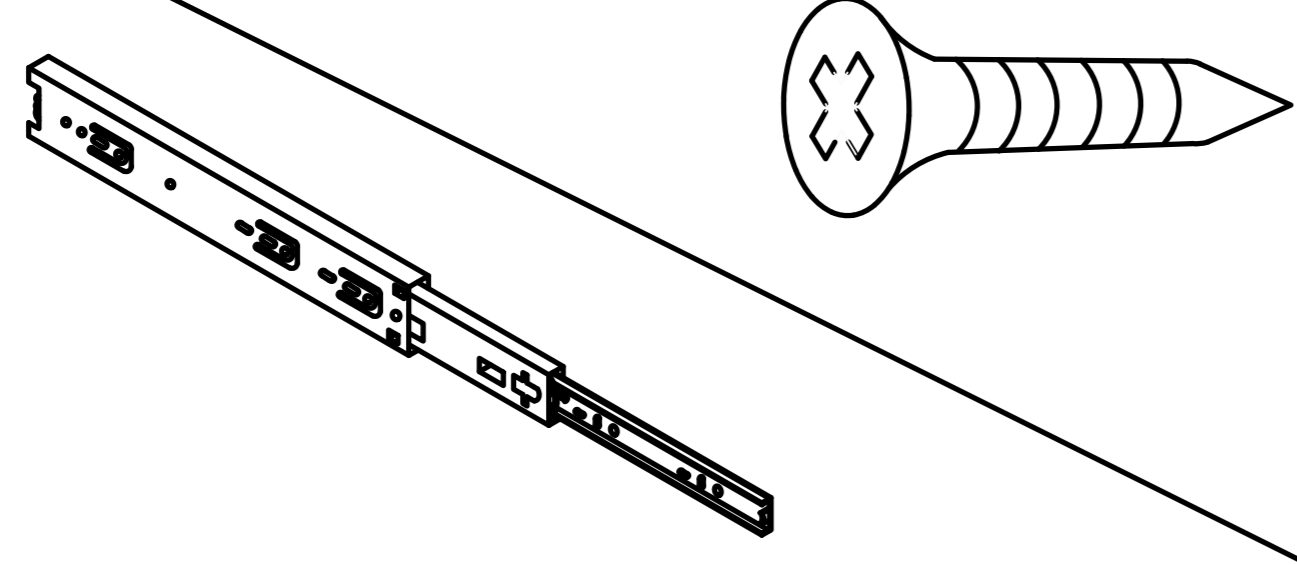
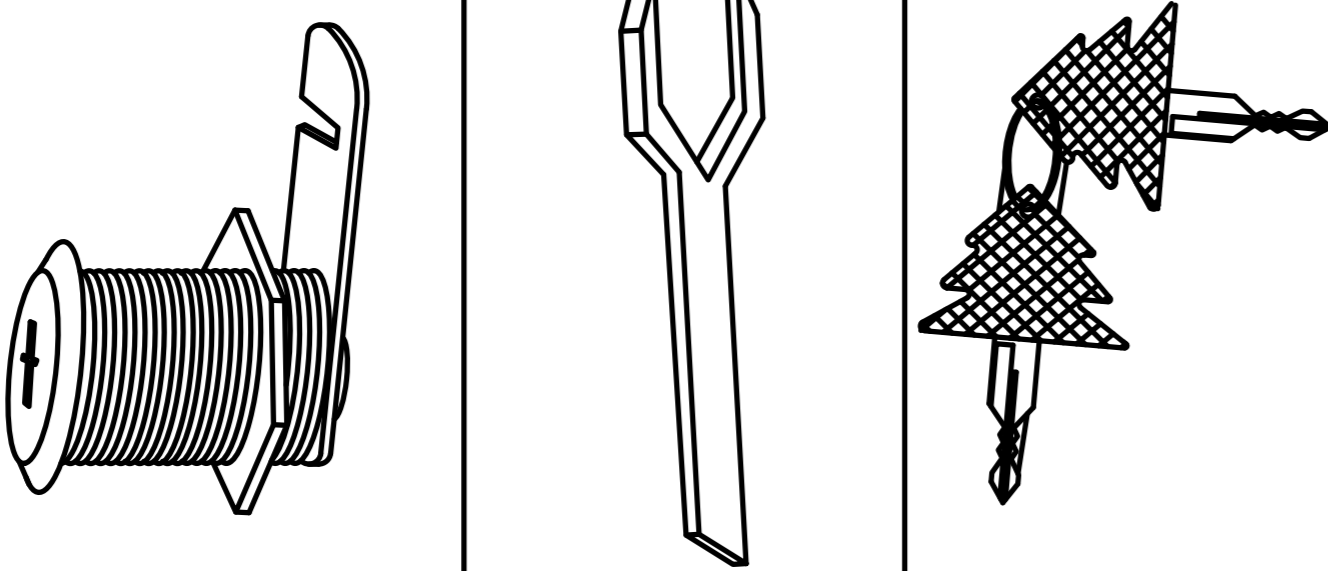
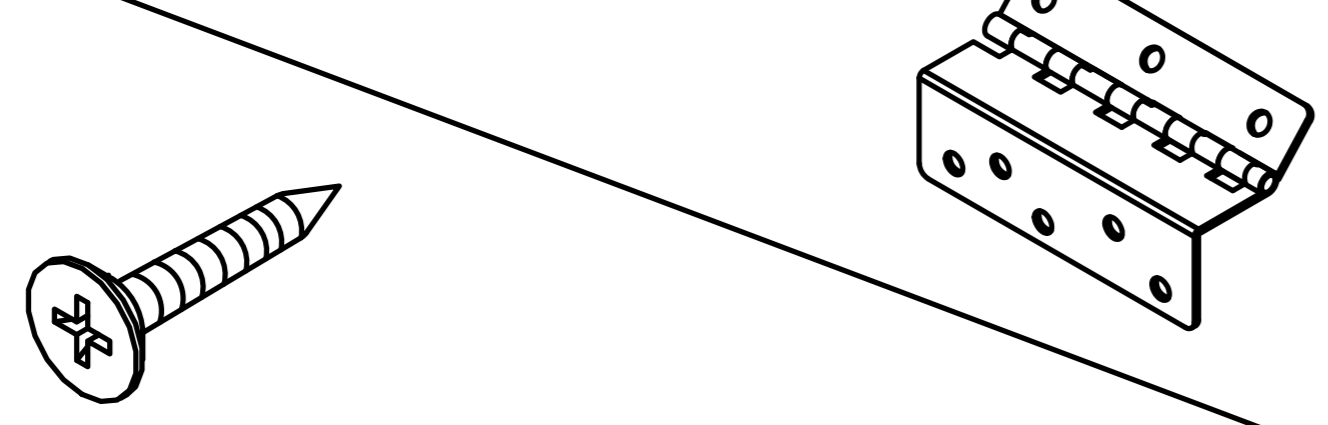
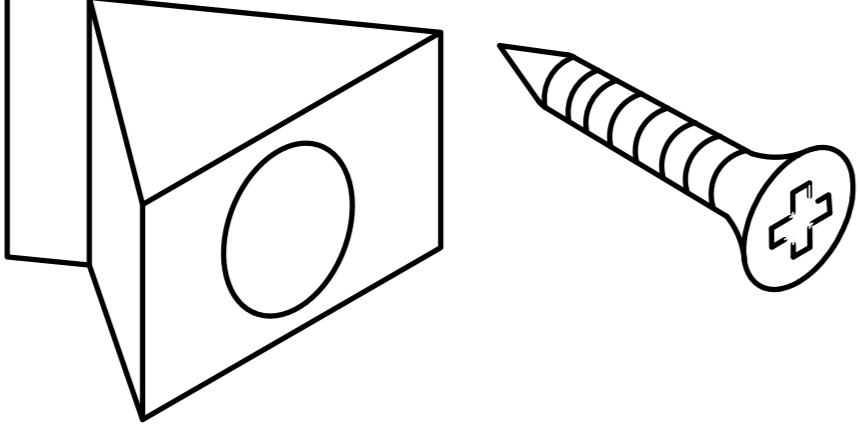
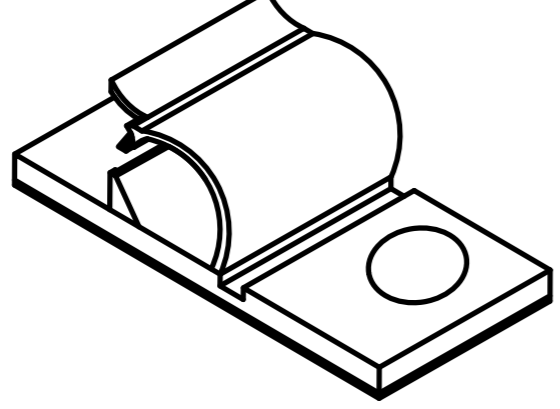
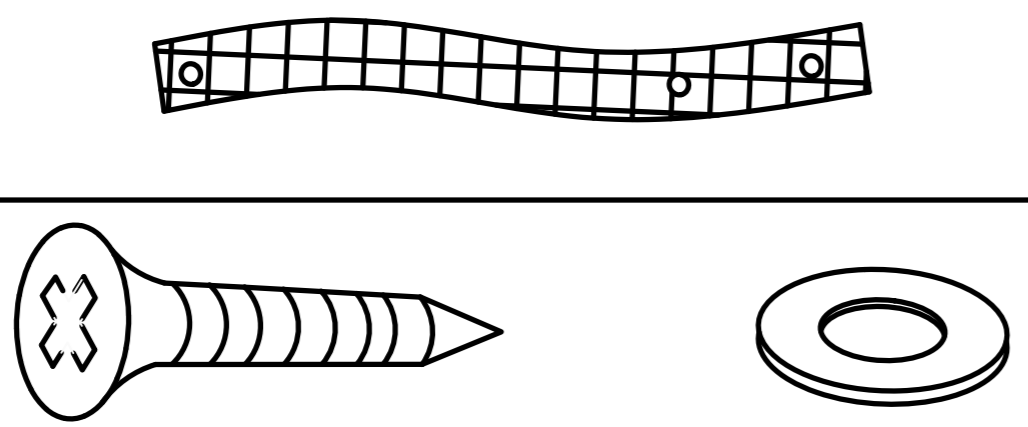
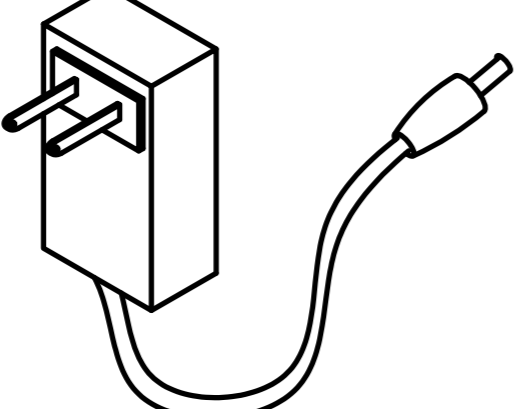
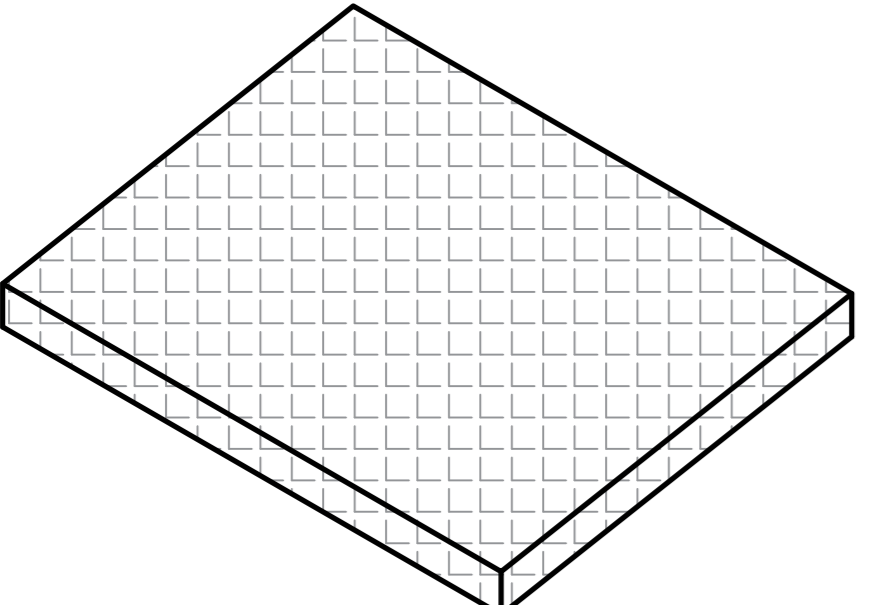
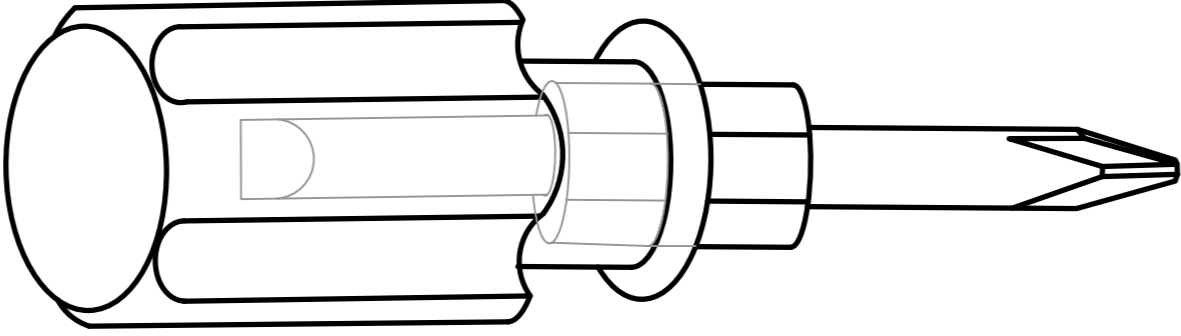
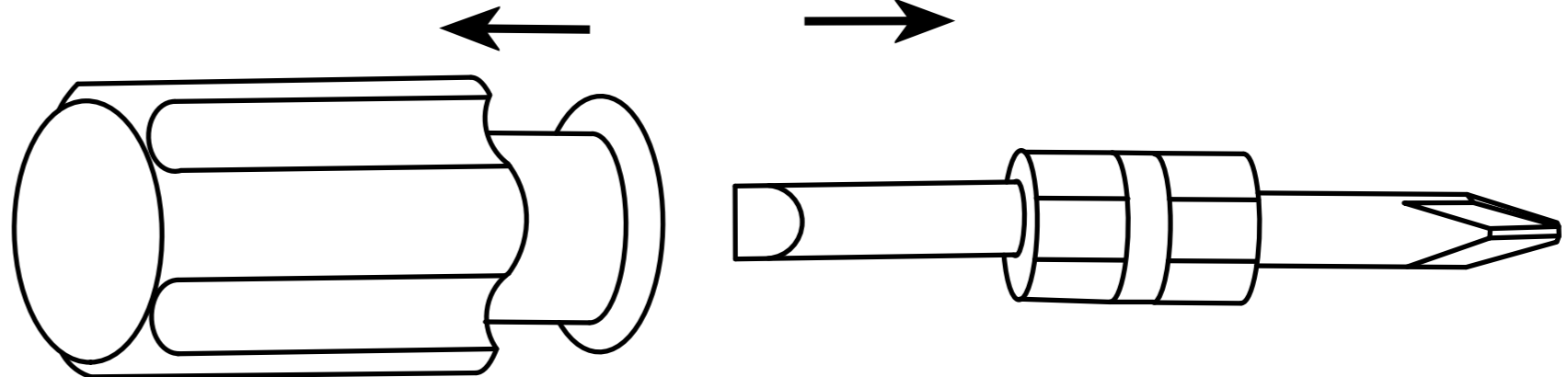



**Vx1**

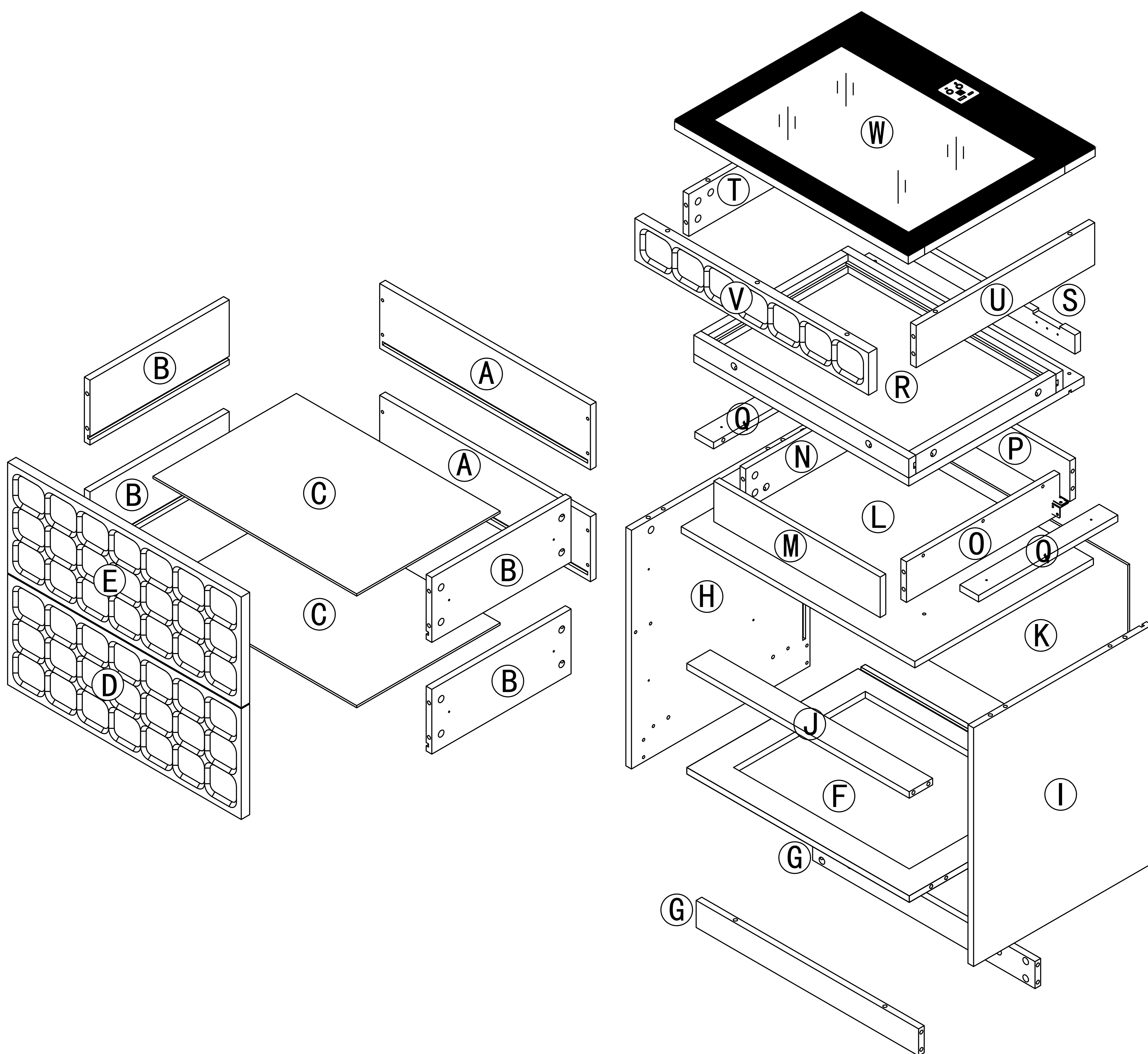


**Wx1**

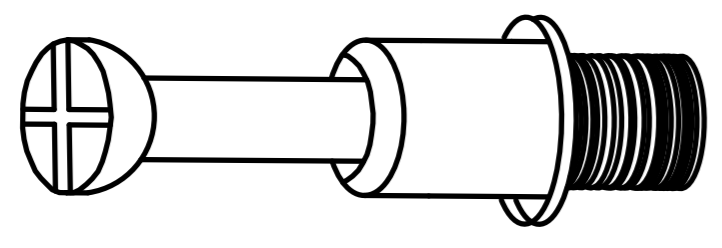
# Accessories list

1		Two In One Screw (6x28mm)	76pcs +5pcs		
2		Two In One Nut (10x12mm)	76pcs +5pcs		
3		Wood Chipping (6x30mm)	8pcs +2pcs		
4		Guide rails & screws(29cm) (3x12mm)	20pcs +4pcs 4pcs		
5		Non-slip pads	4pcs +2pcs		
6		Guide rails & screws(30cm) (3x12mm)	10pcs +2pcs 2pcs		
7		Locks & tools & key	1pcs	1pcs	1pcs
8		Hinge & Screw (3.5x12mm)	16pcs +2pcs 2pcs		
9		Fixing Clip & Screw (3x16mm)	4pcs +1pcs		
10		Wire Clamp	3pcs		
11		anti-tipping tape Screw & gasket (3.5x12mm)	1pcs 3pcs   1pcs		
		AC/DC Adapter (12V=3.0A)	1pcs		
12	Foam mat (330x280x35mm)	1pcs			
		 1pcs Double-head screwdriver, use as required			

# Product structure decomposition

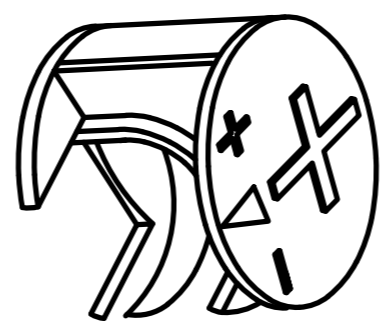


1



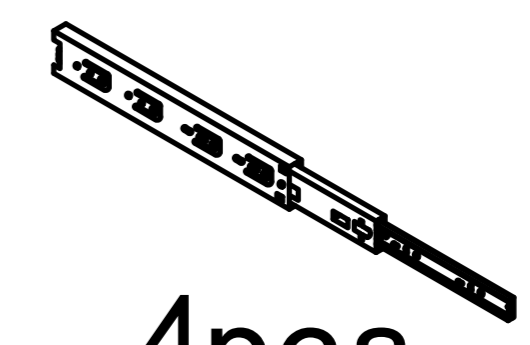
16pcs

2

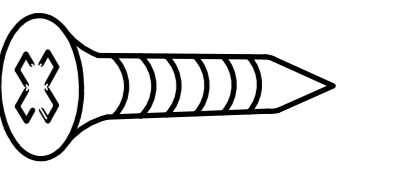


16pcs

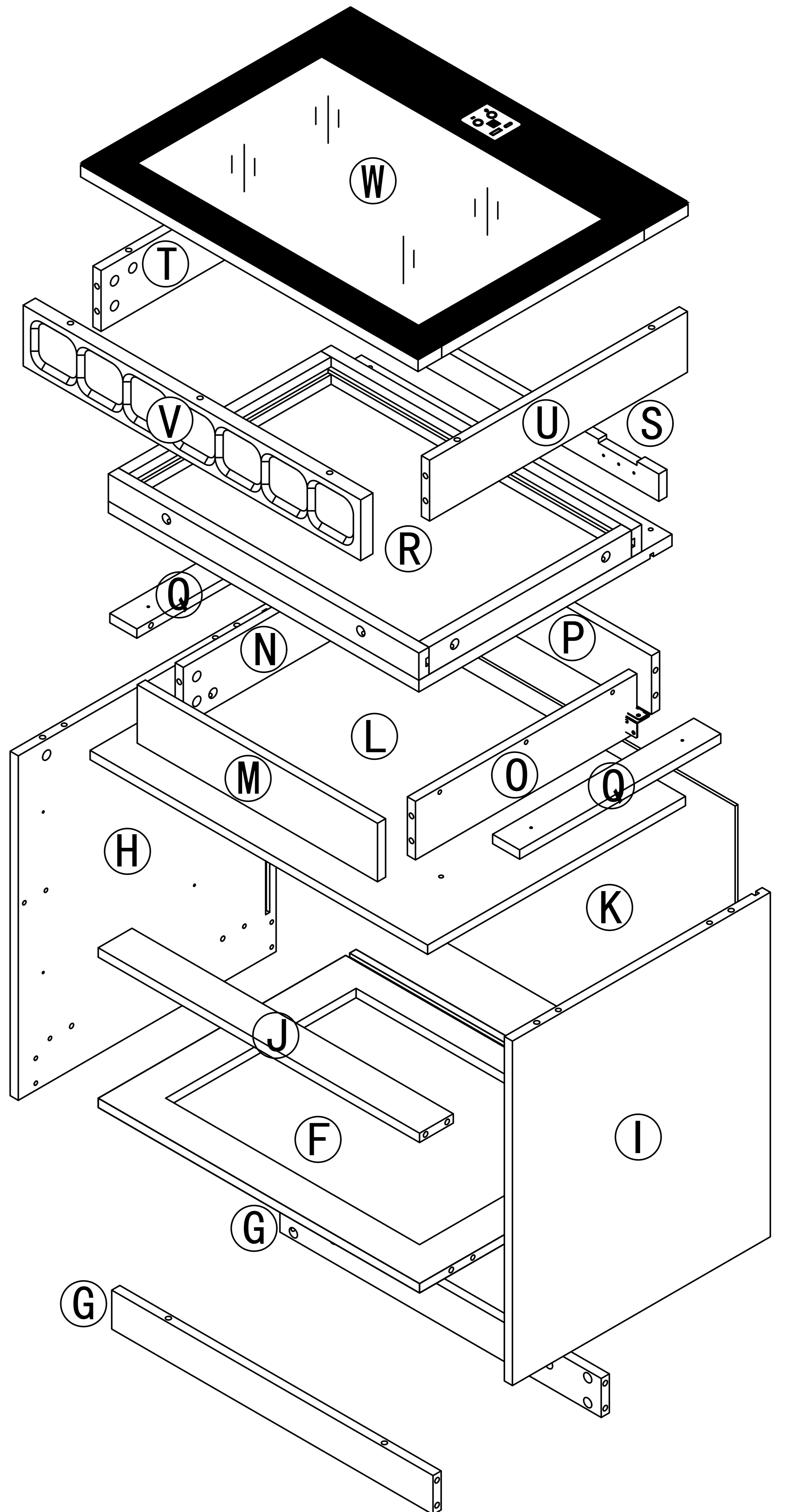
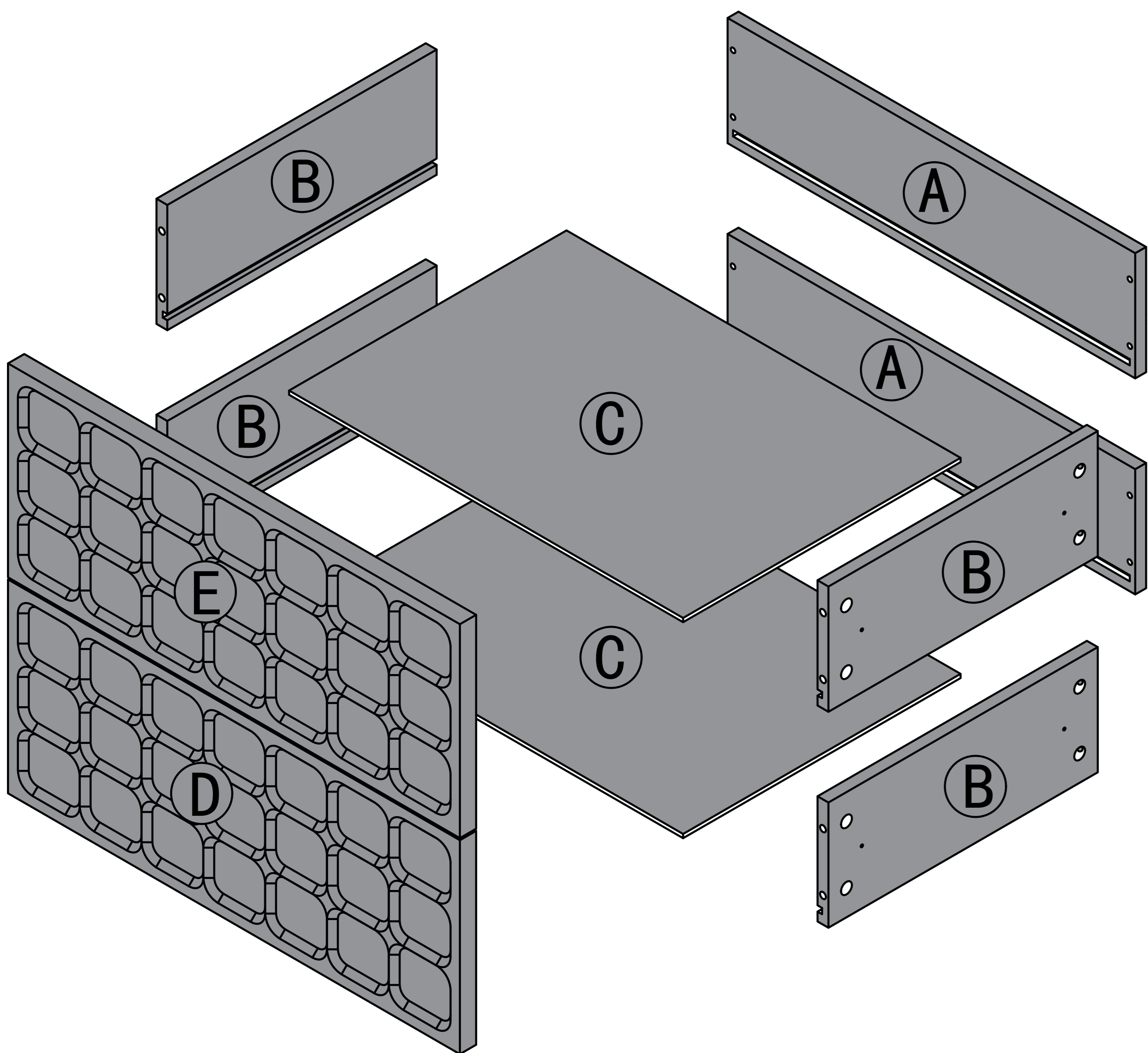
4



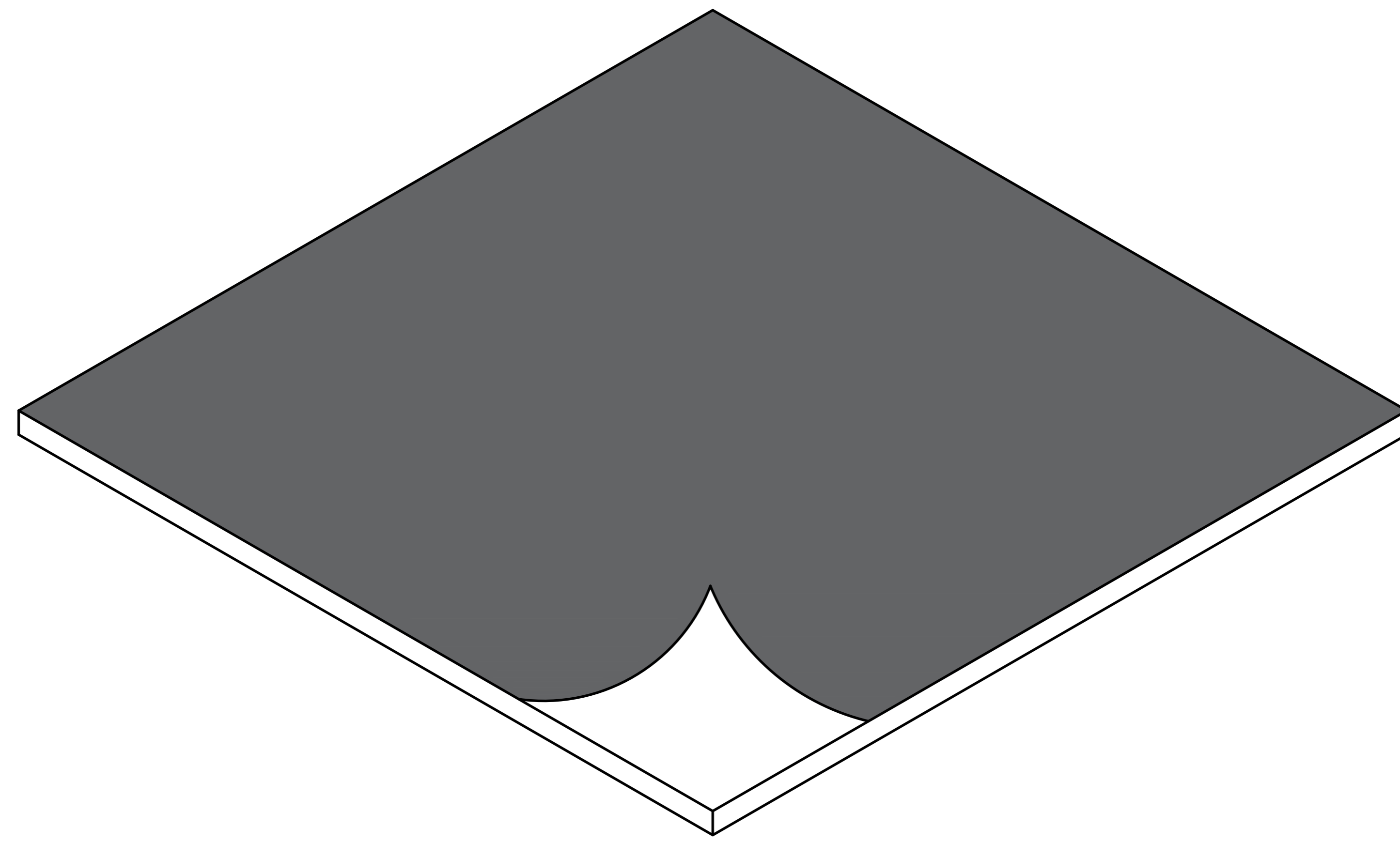
4pcs



8pcs



5



The plates used in this product are bright plates,

With a transparent protective film

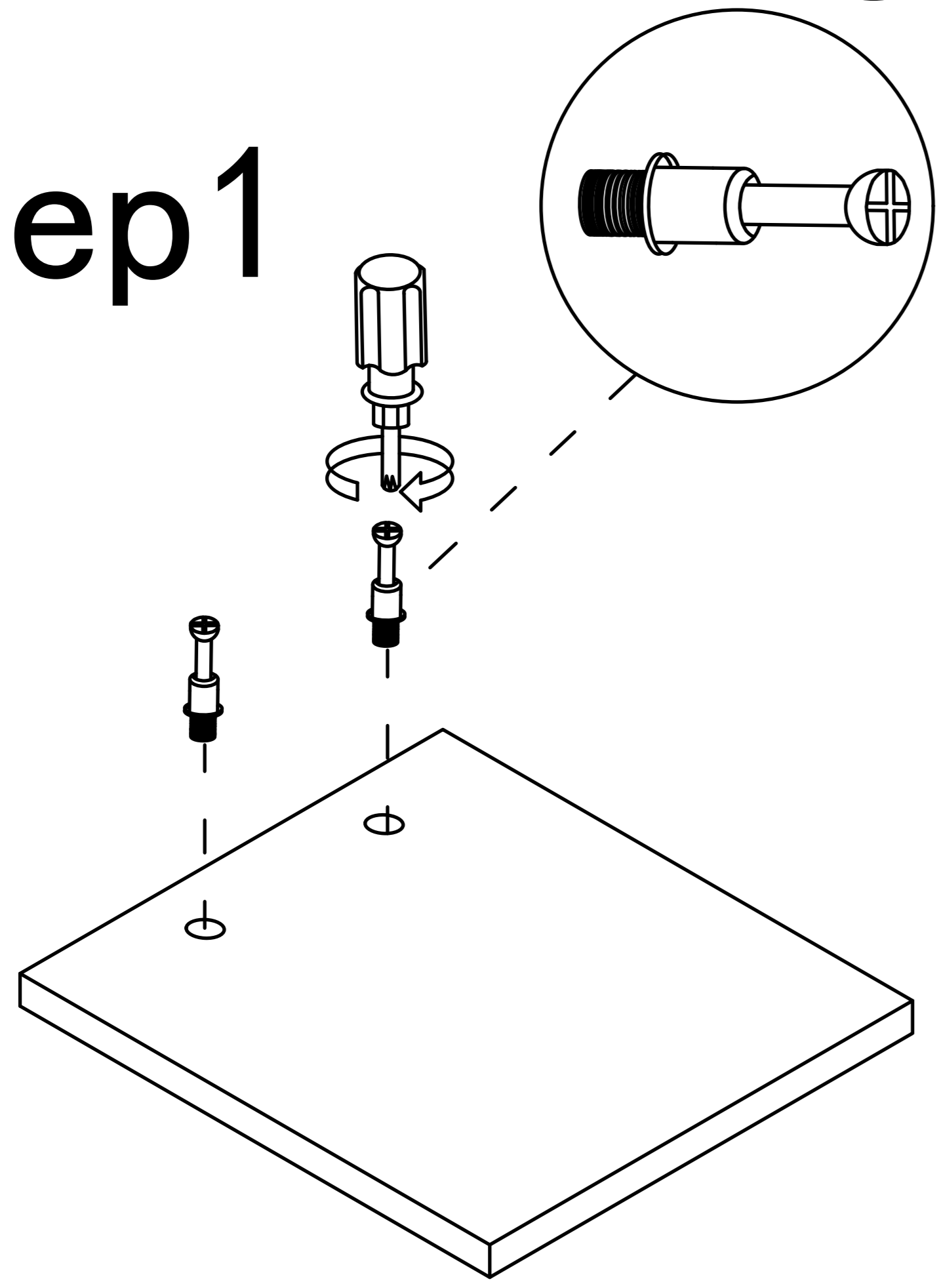
The function of the protective film is prevent the product from  
being scratched during transportation

Please remove the protective film before installing the product,

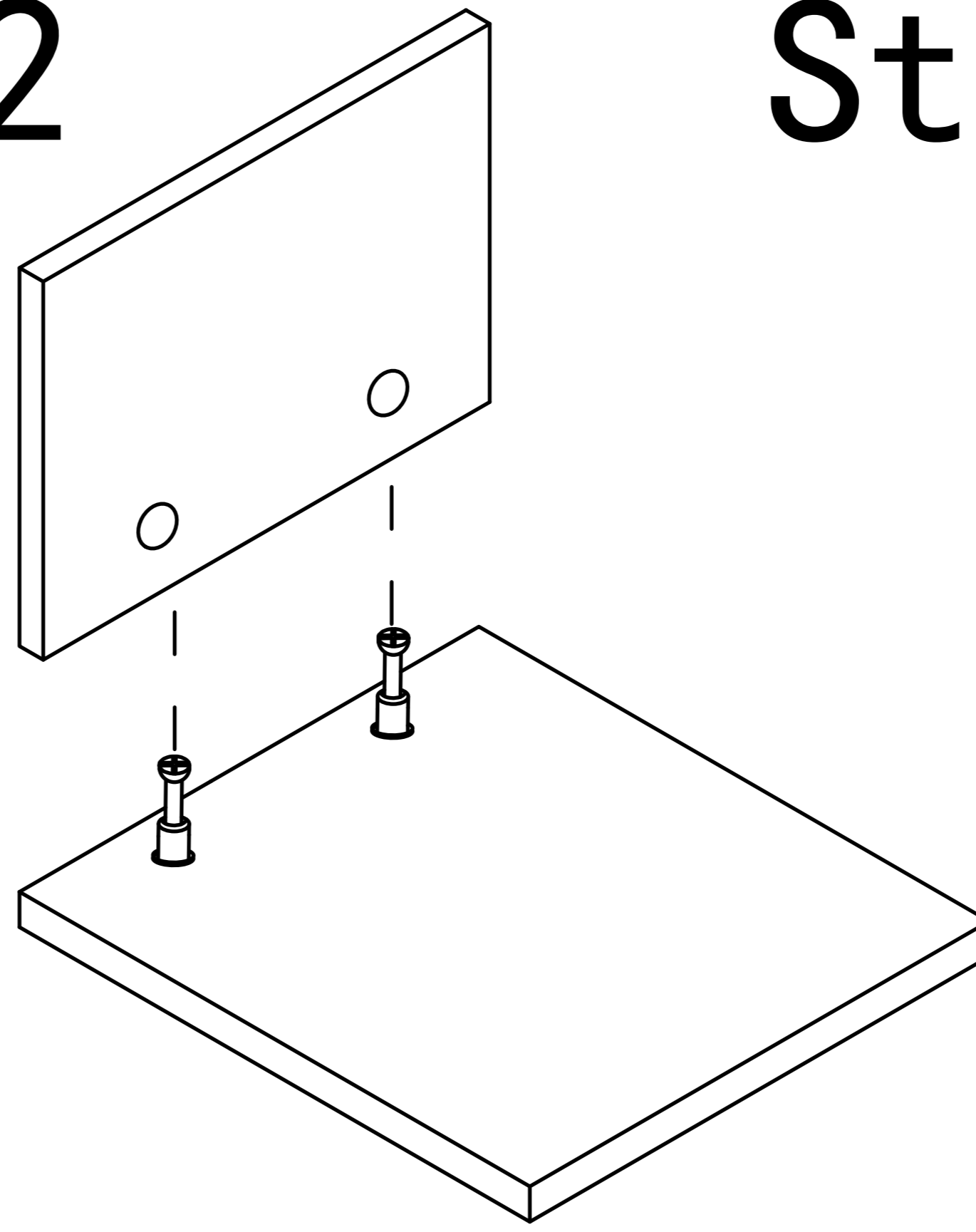
Avoid difficult removal of the protective film after installation

# Use parts ① and ②

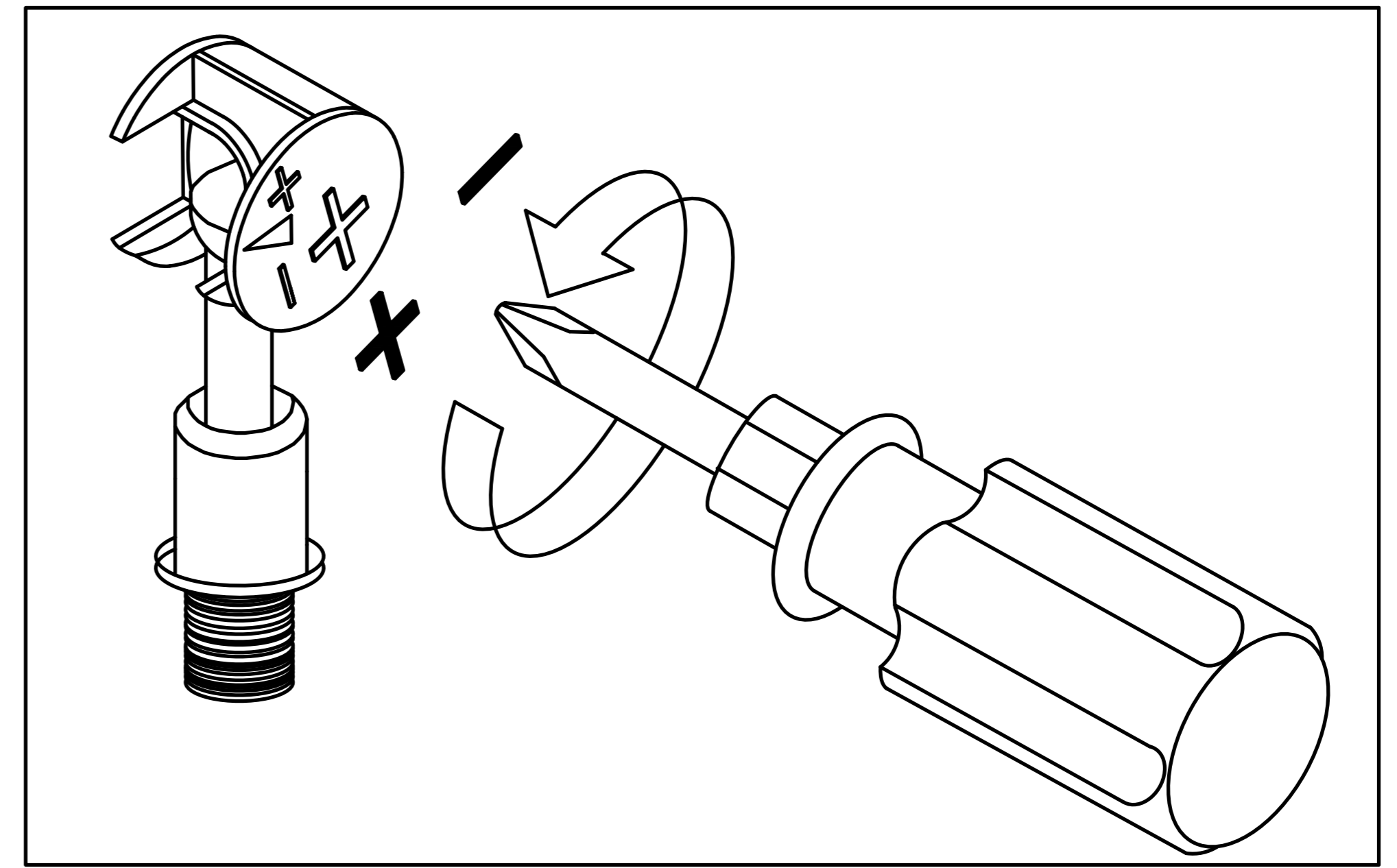
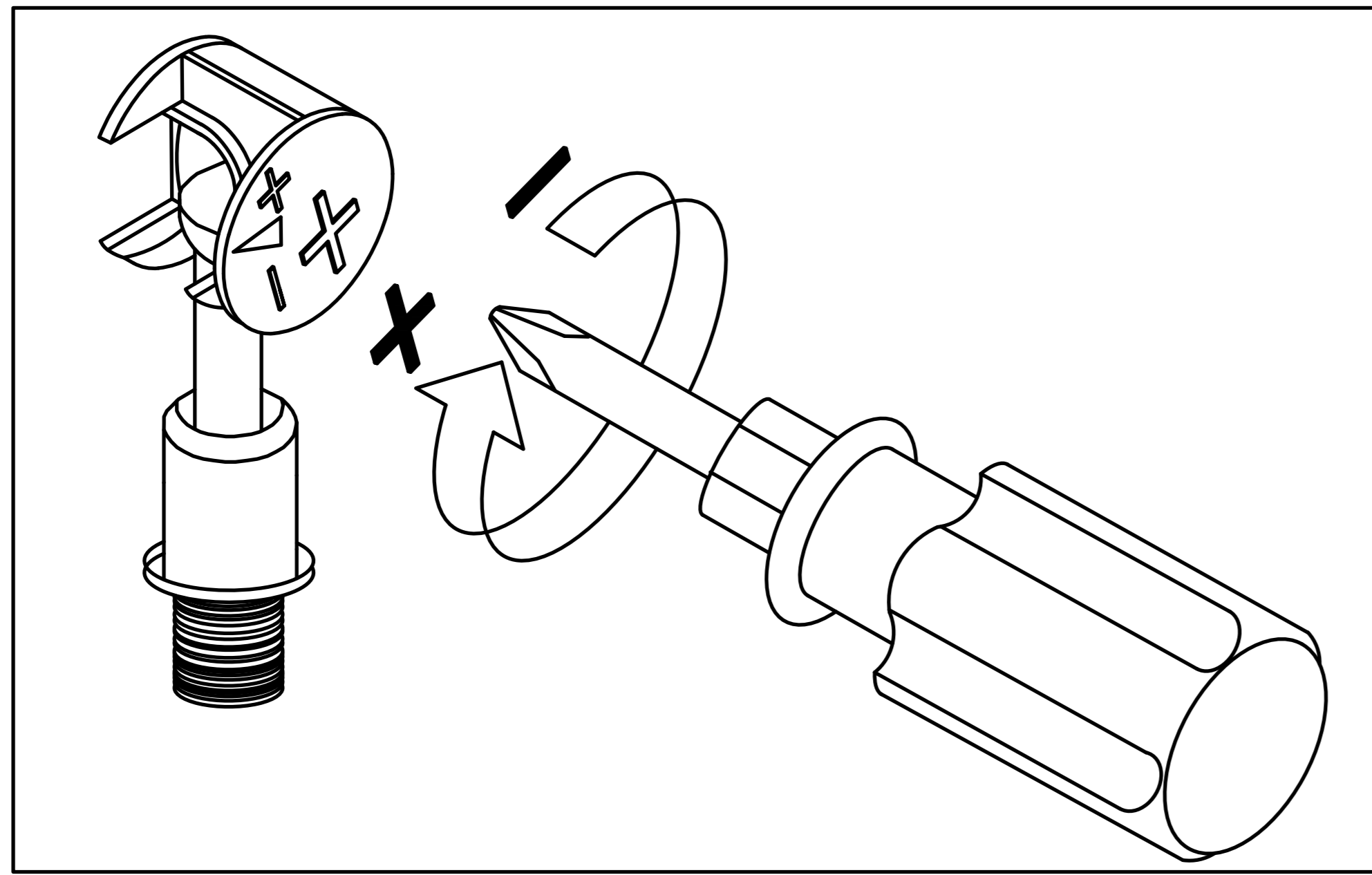
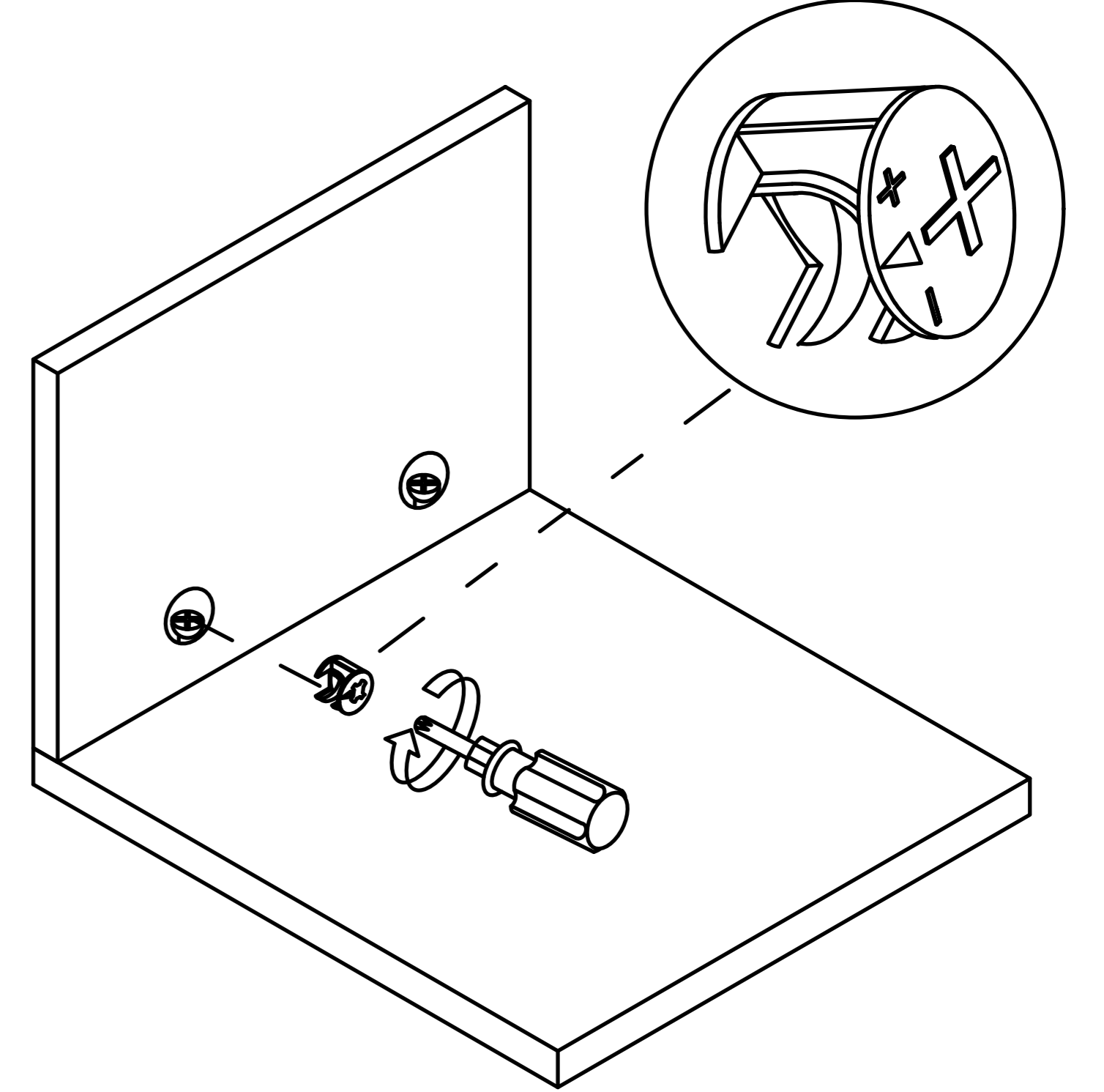
Step1



Step2



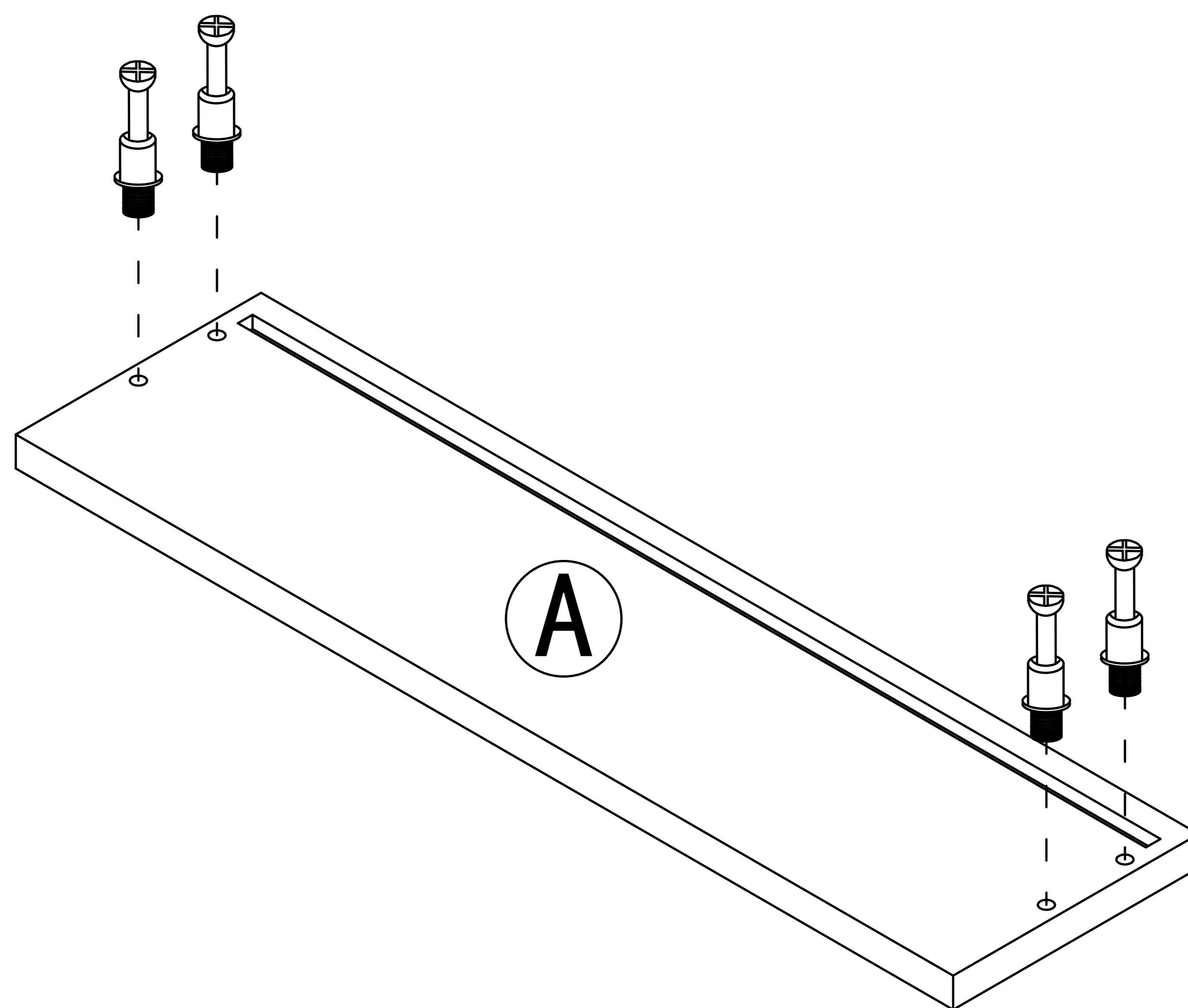
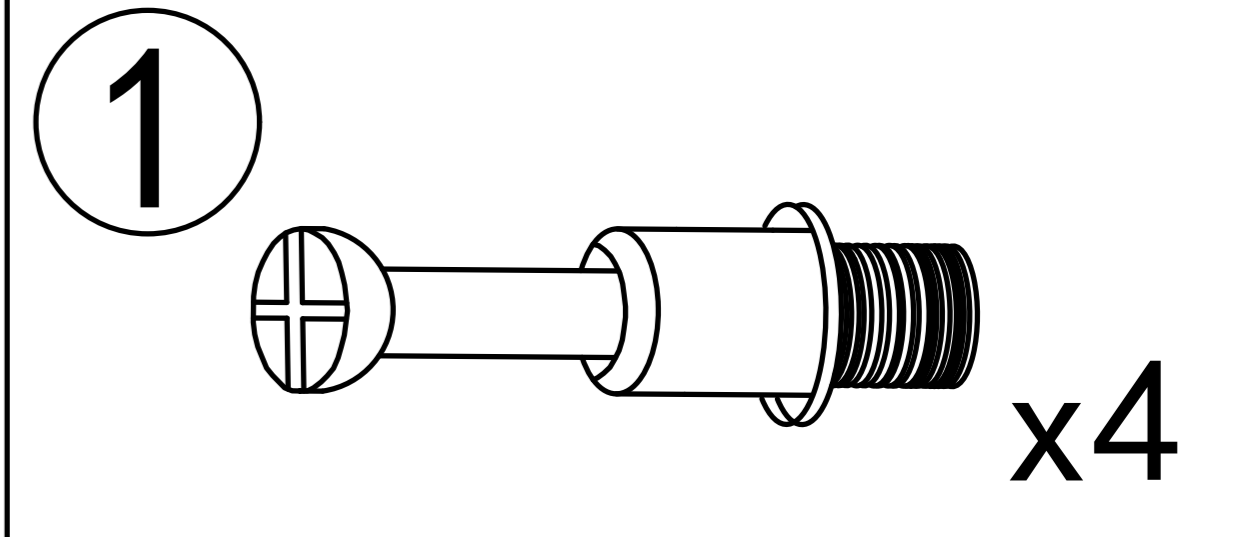
Step3



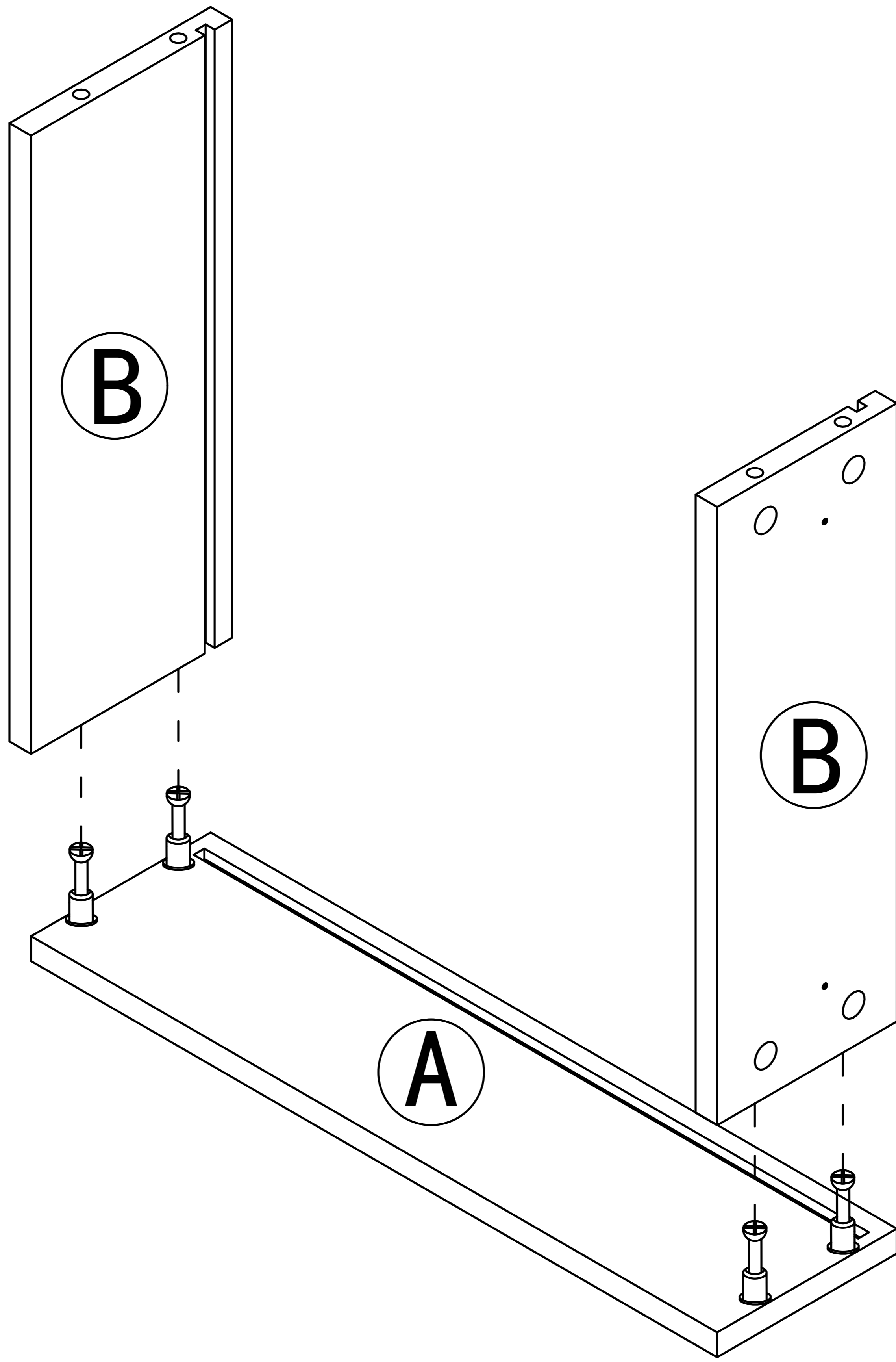
Use a screwdriver to lock in the direction of the "+" sign

Disassemble along the direction of "-" sign

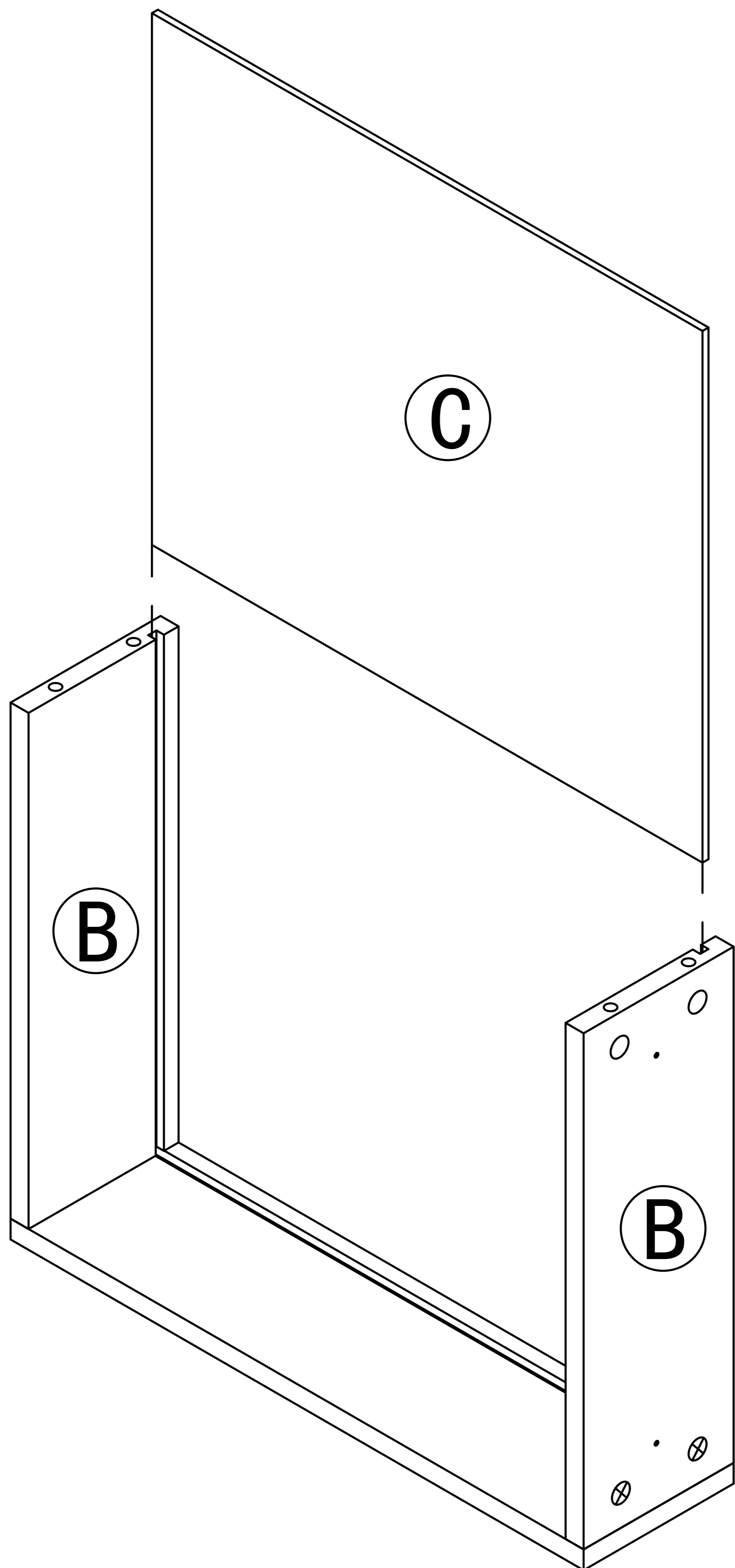
Step 1



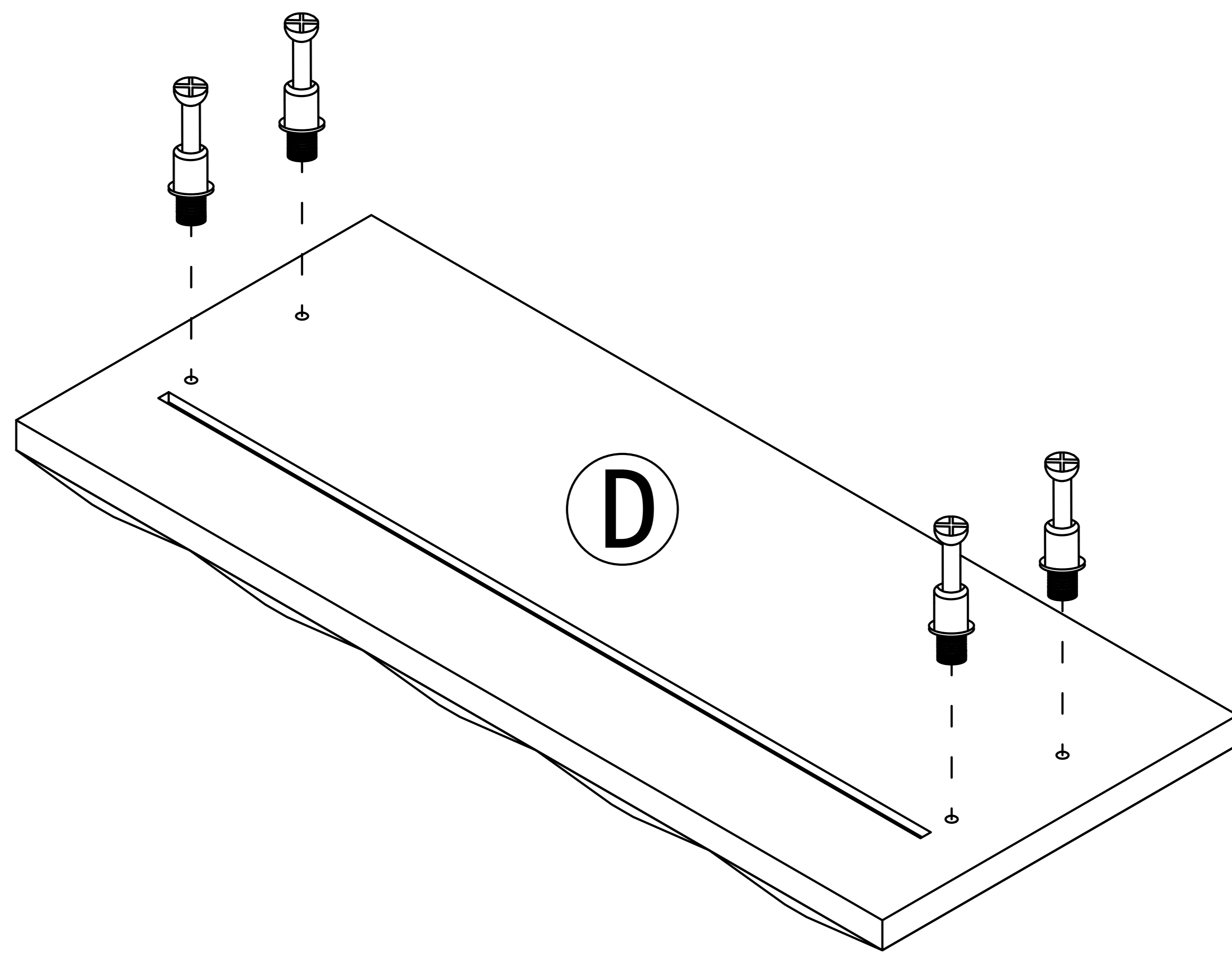
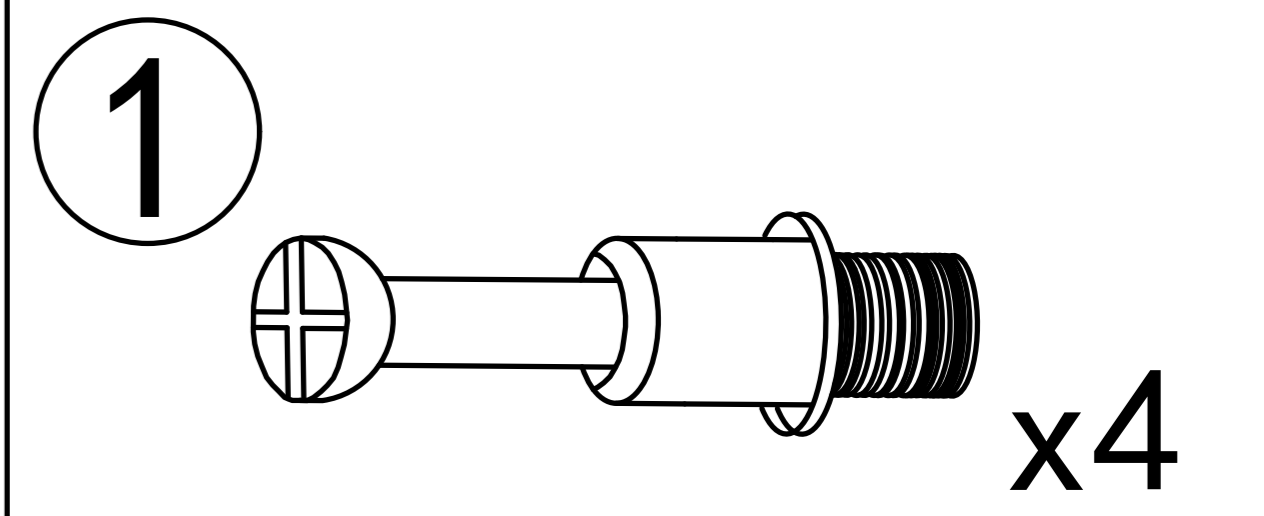
Step 2



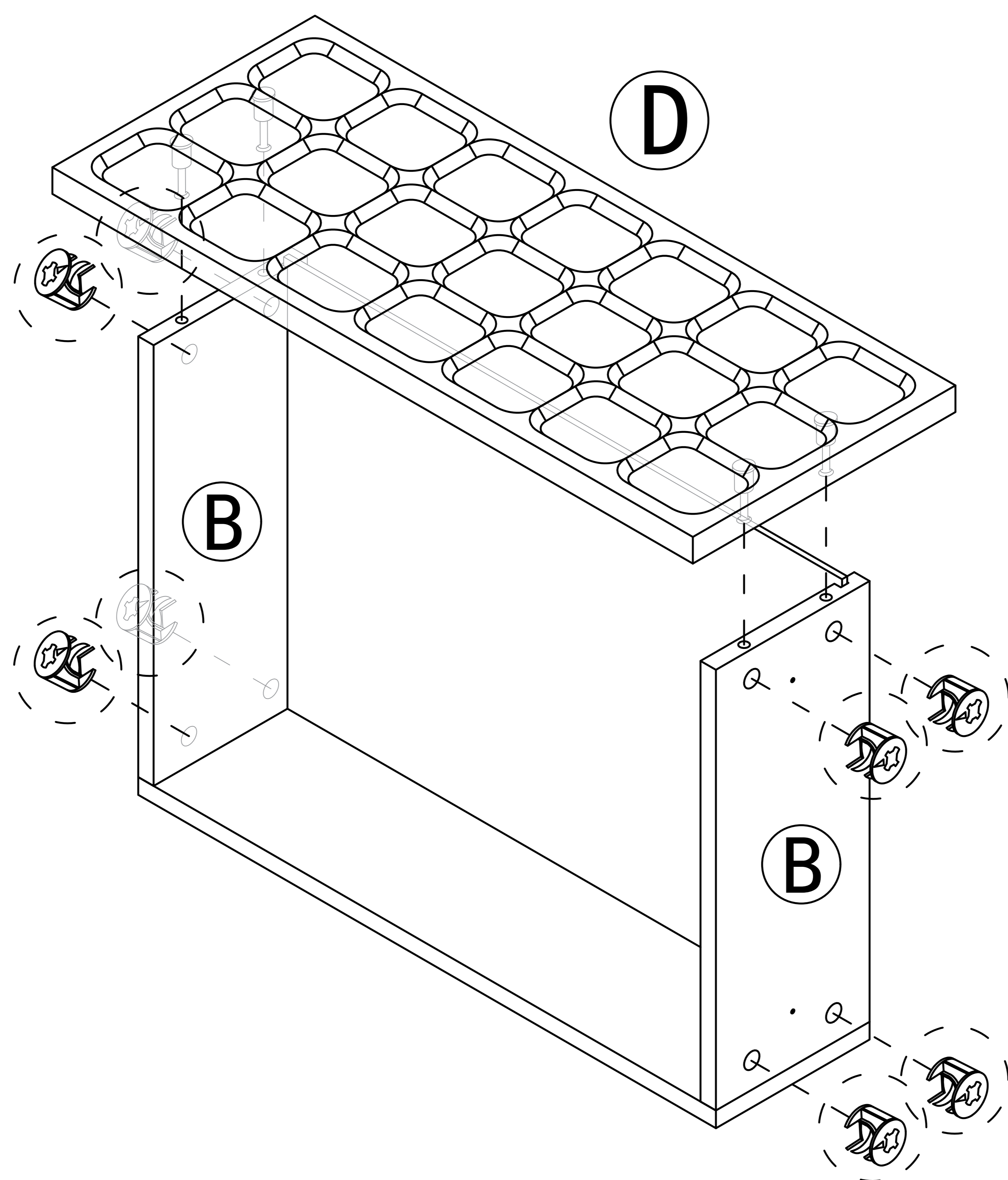
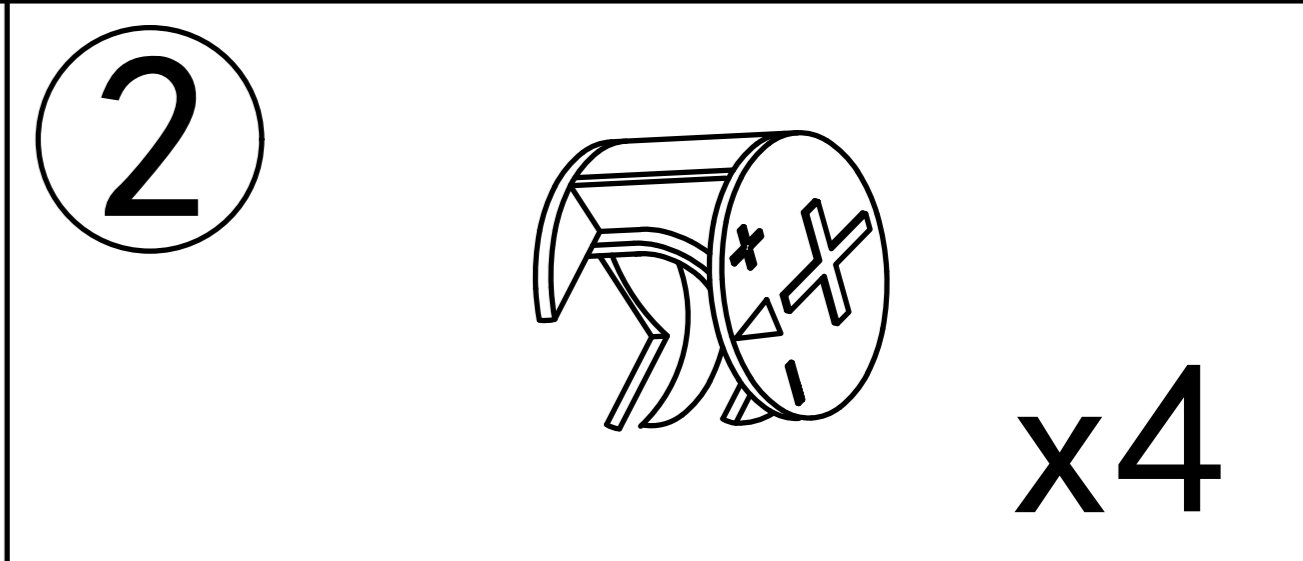
Step 3



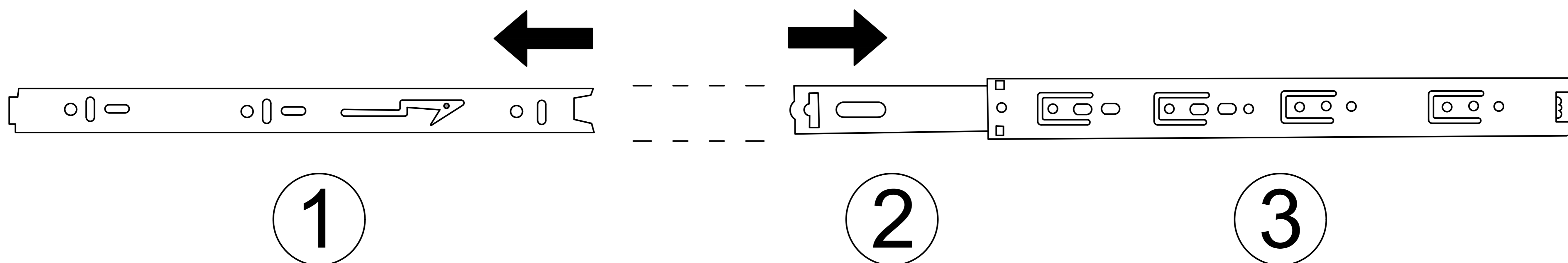
# Step 4



# Step 5

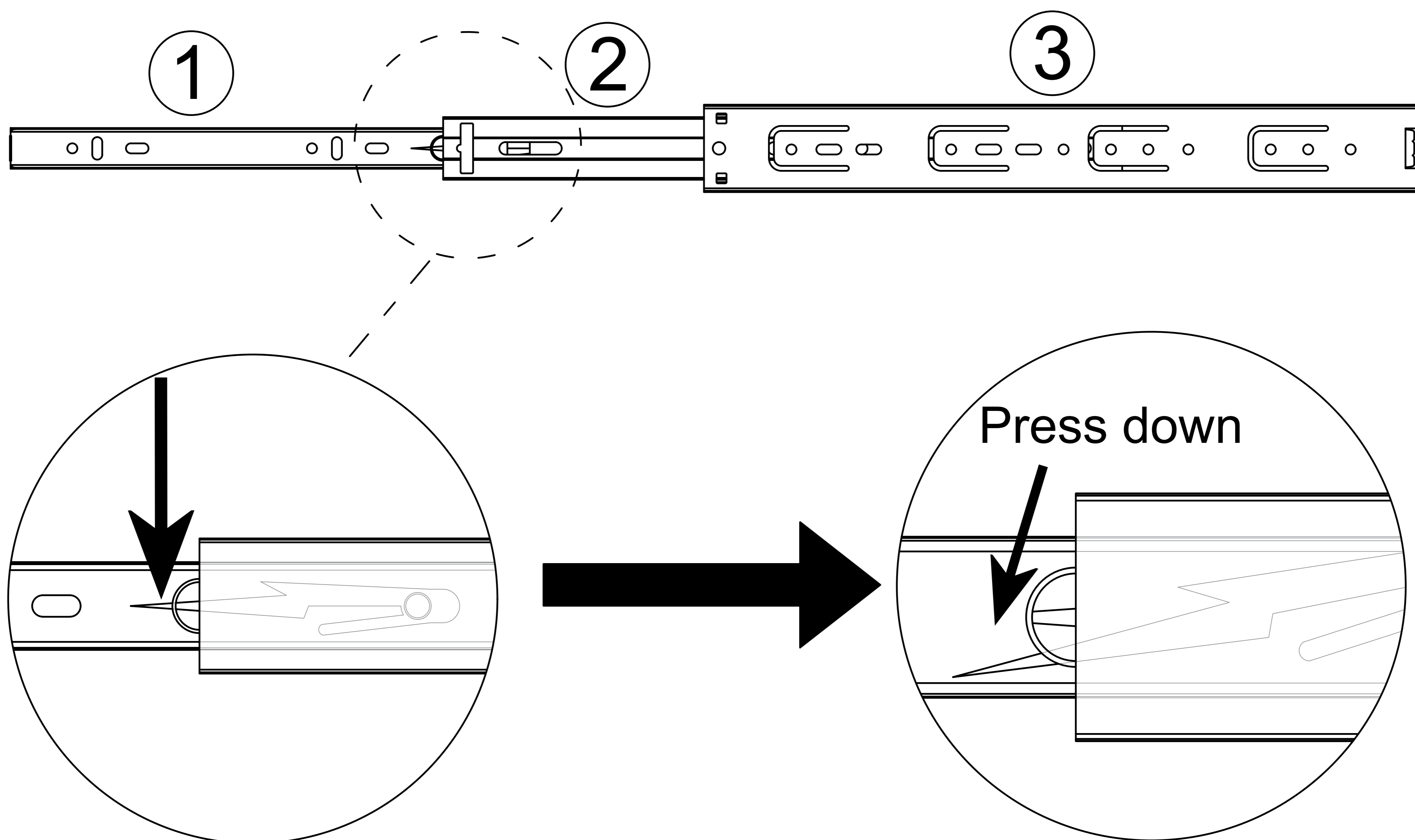


Drawer rail breakdown diagram



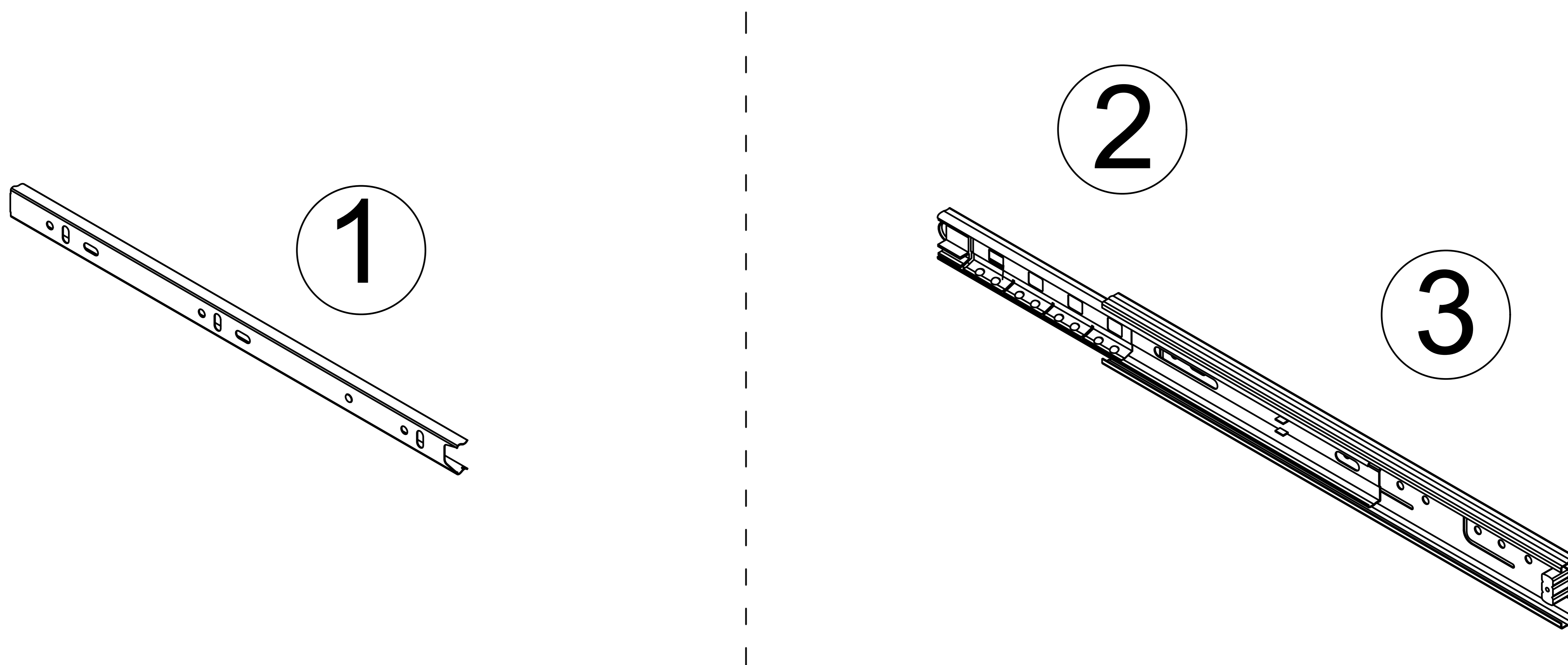
① Dismantle the schematic diagram

Step 1 : Pull the rails apart

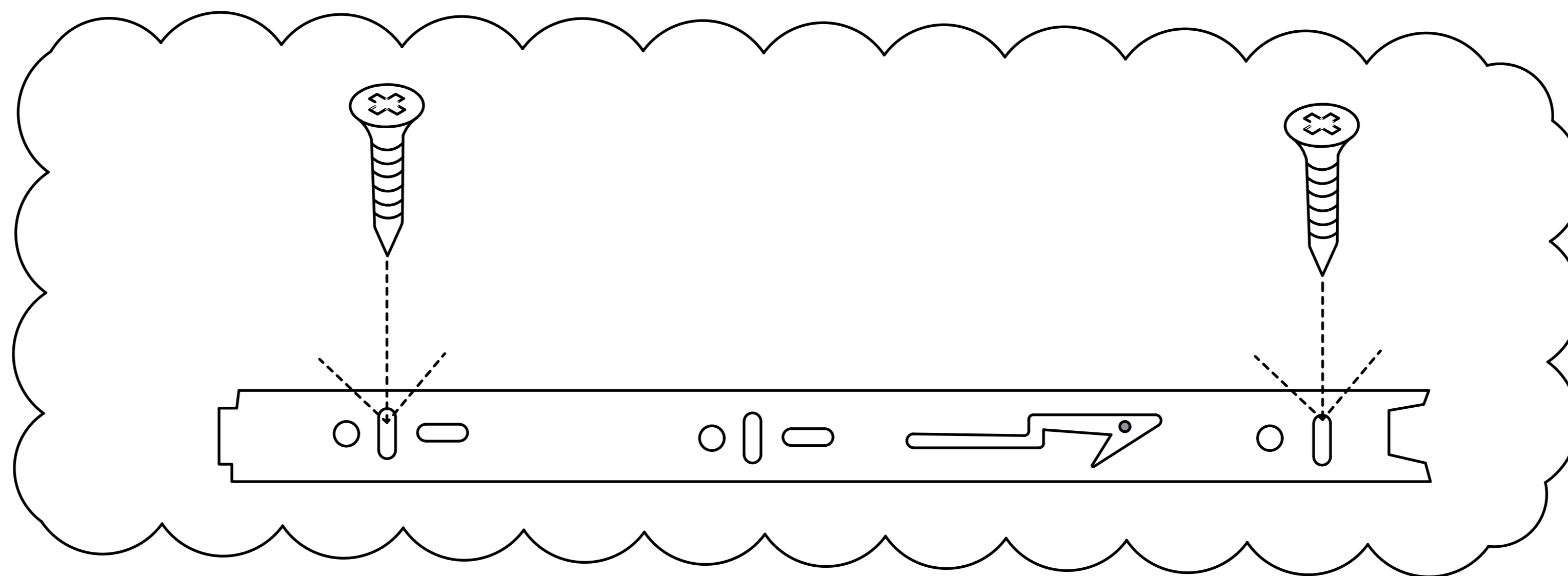


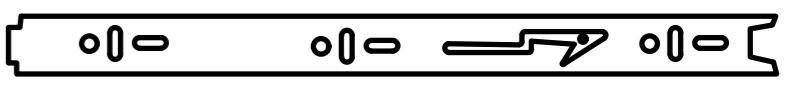
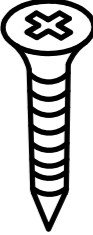
Step 2 : Press the nylon button and pull out ①.

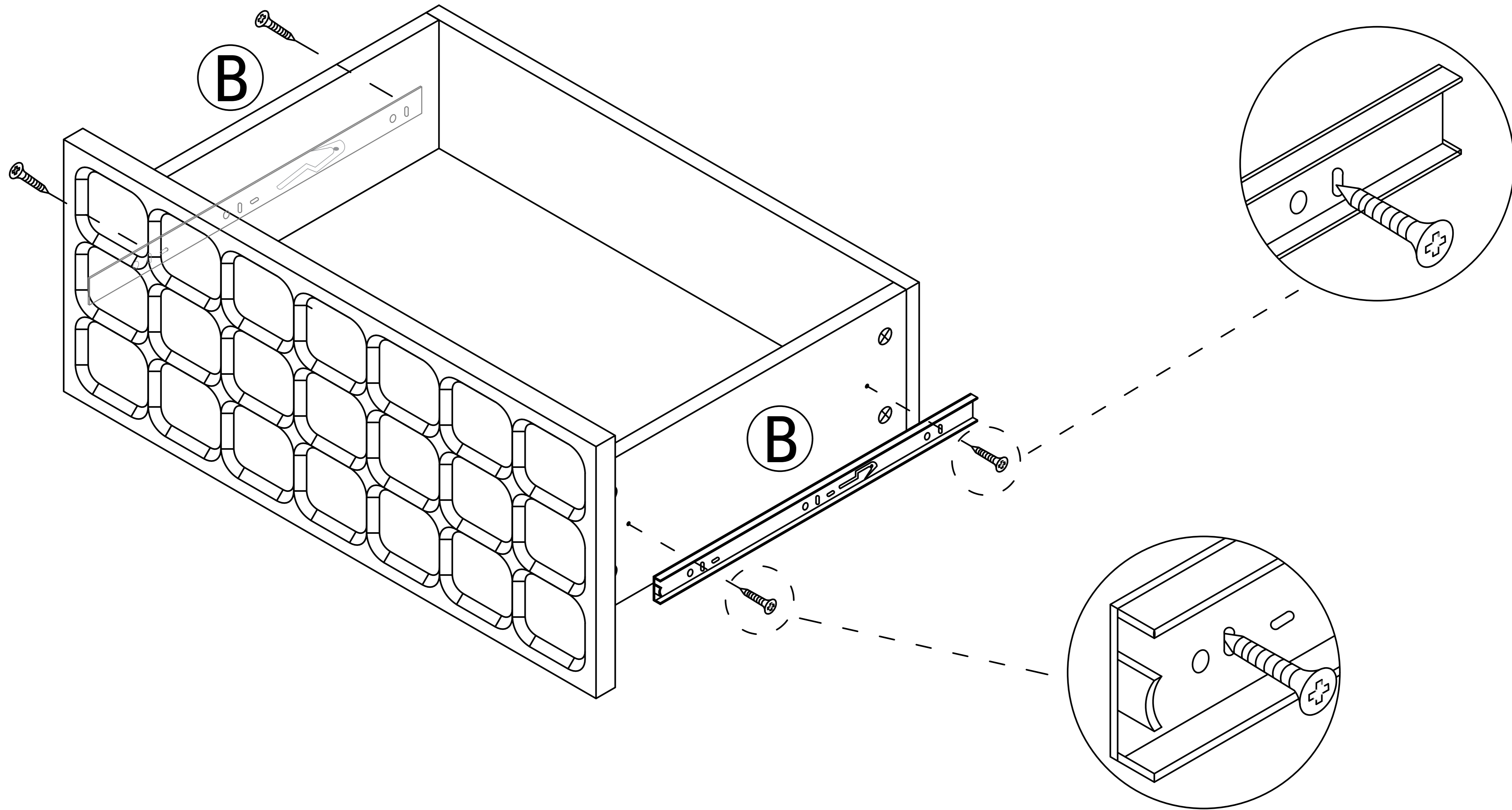
Drawer rail decomposition completed schematic diagram



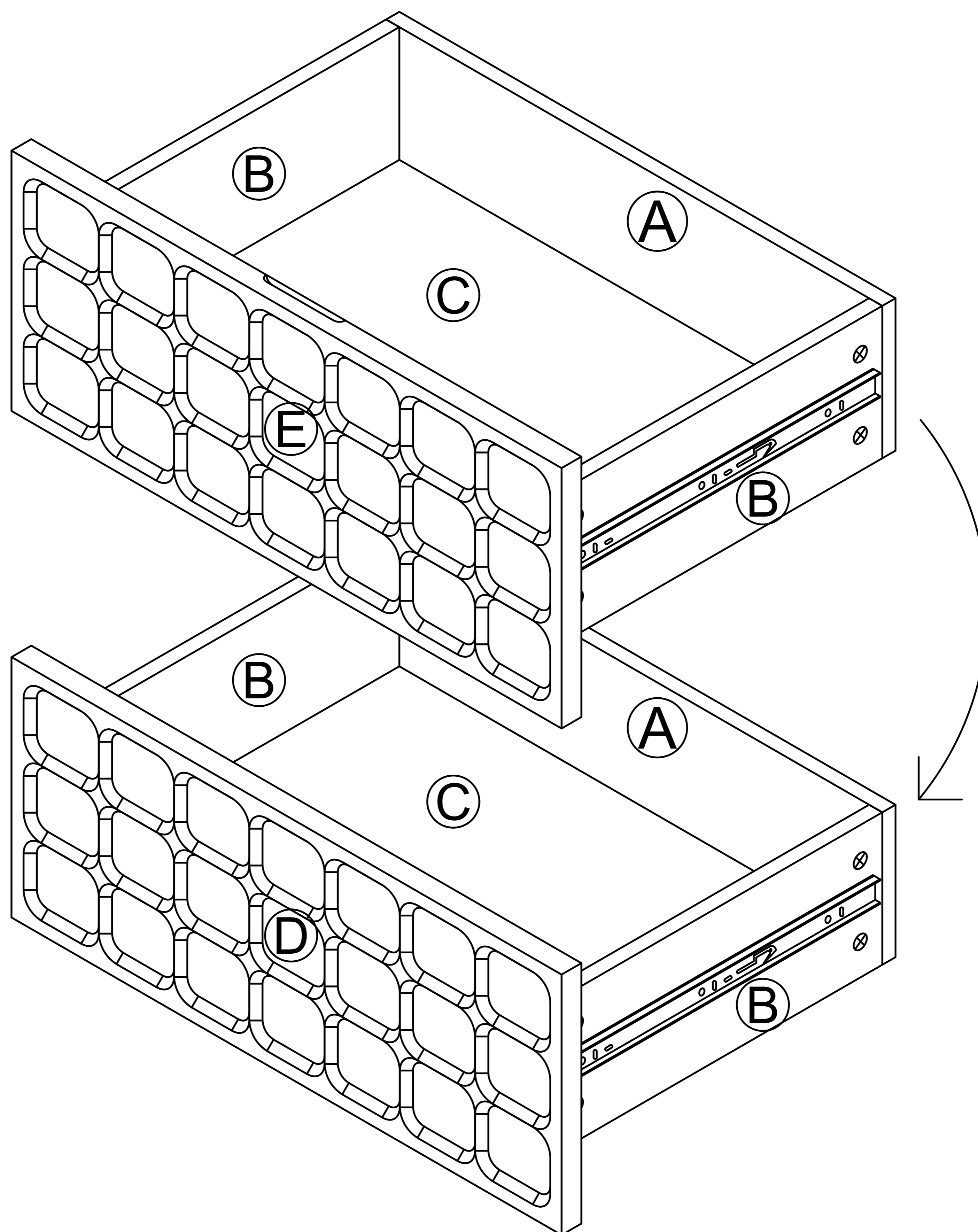
# Step 6

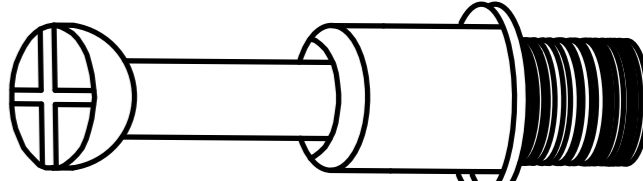
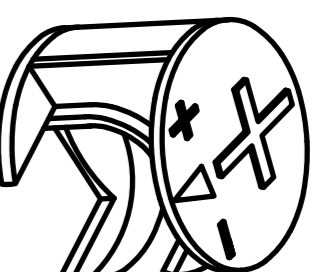
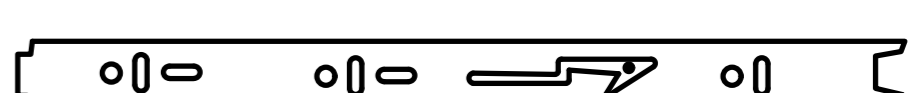



- ④  x2
-  x4

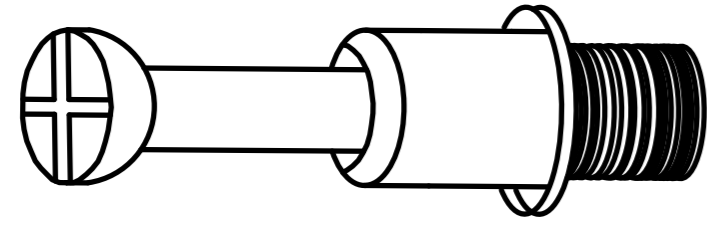
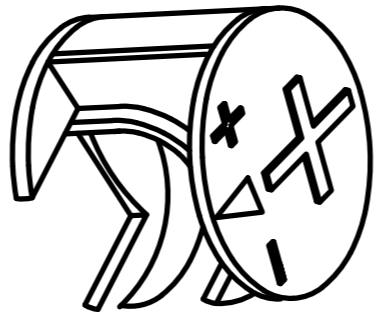
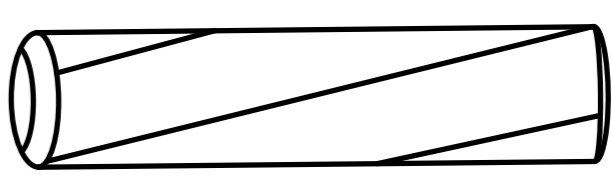
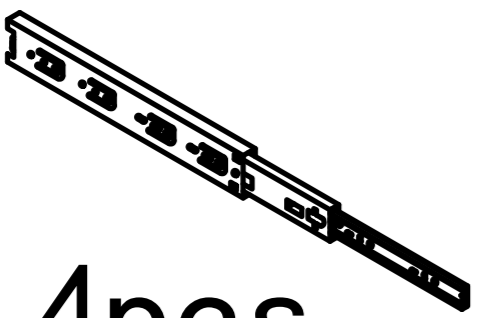

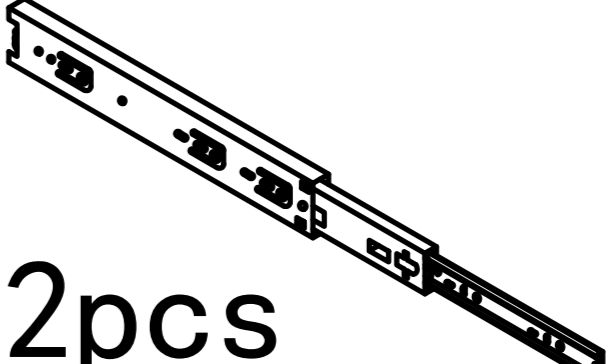
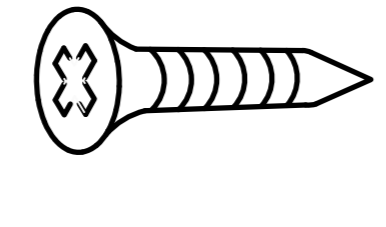
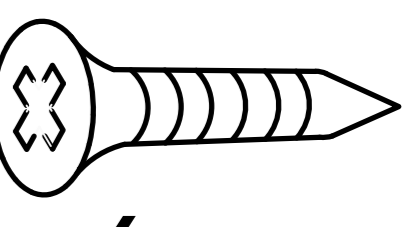
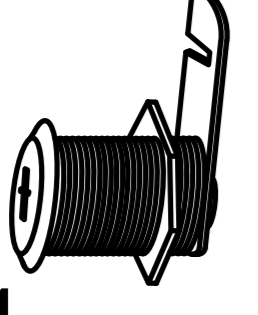
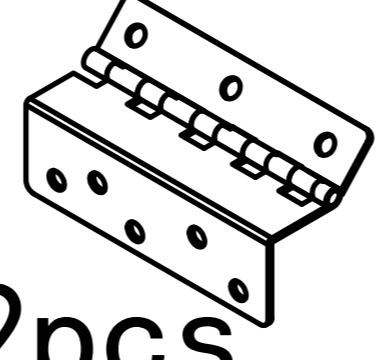
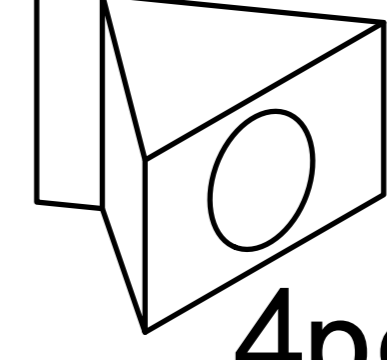
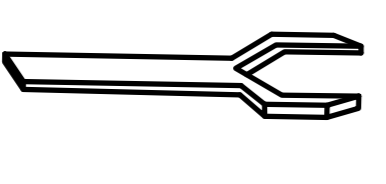
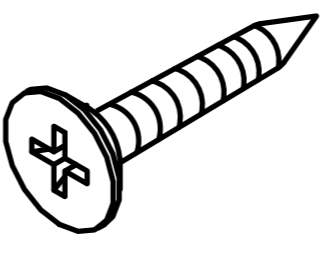
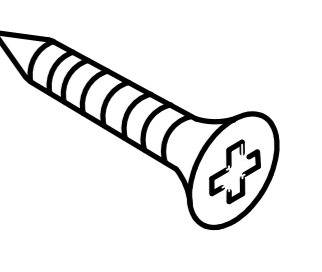

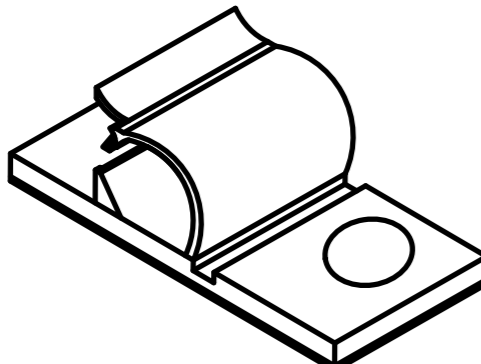
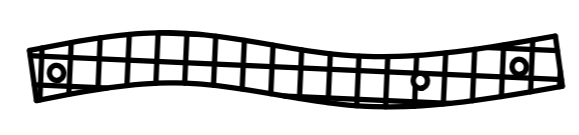
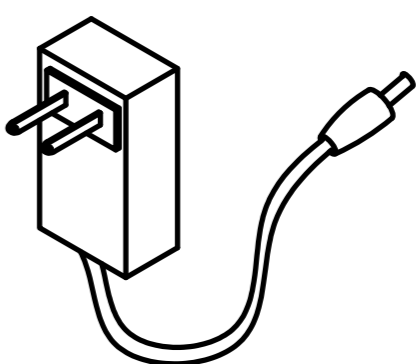
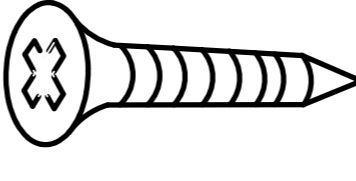
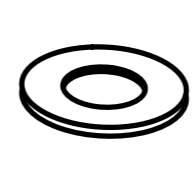


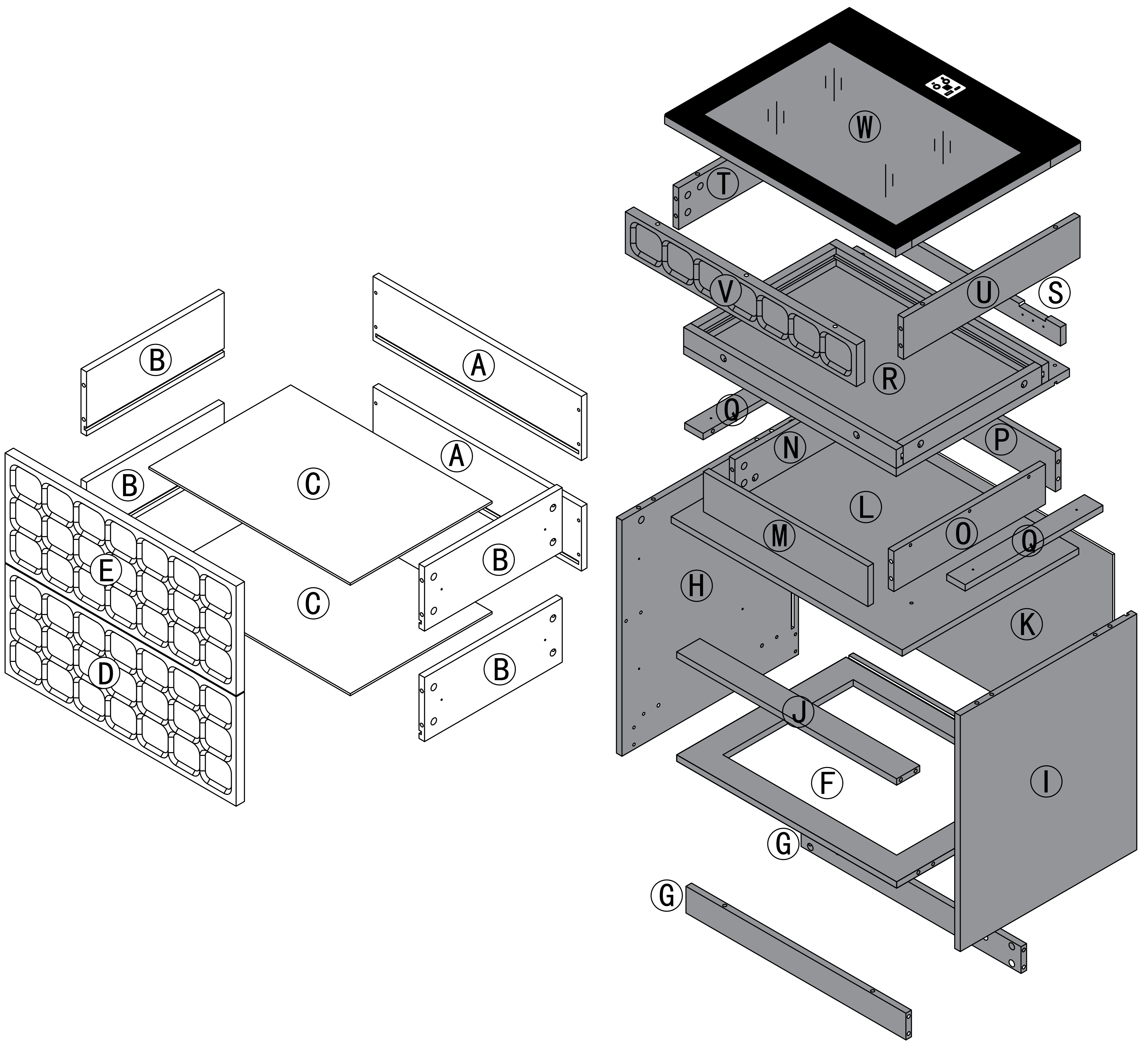
# Step 7



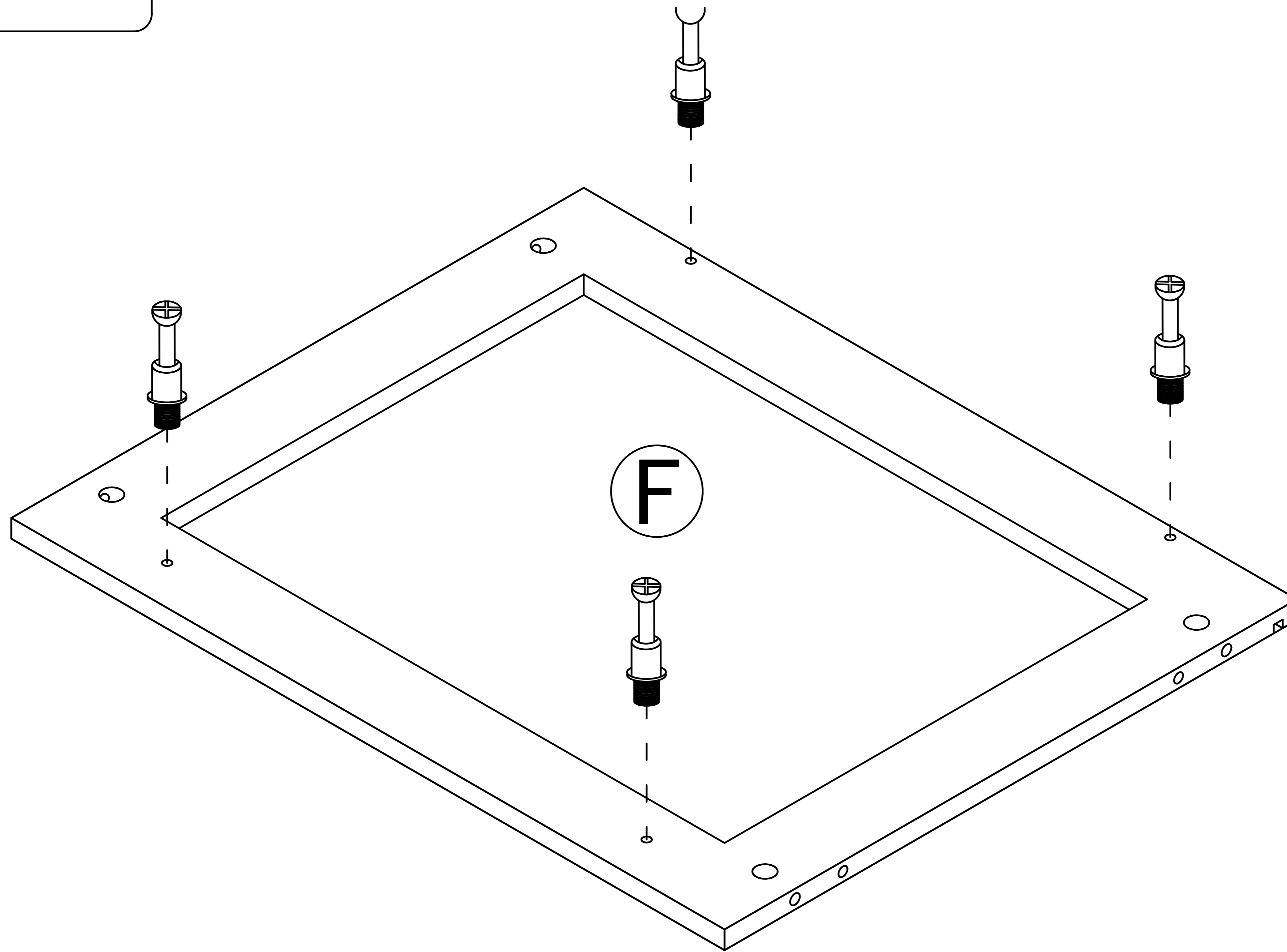
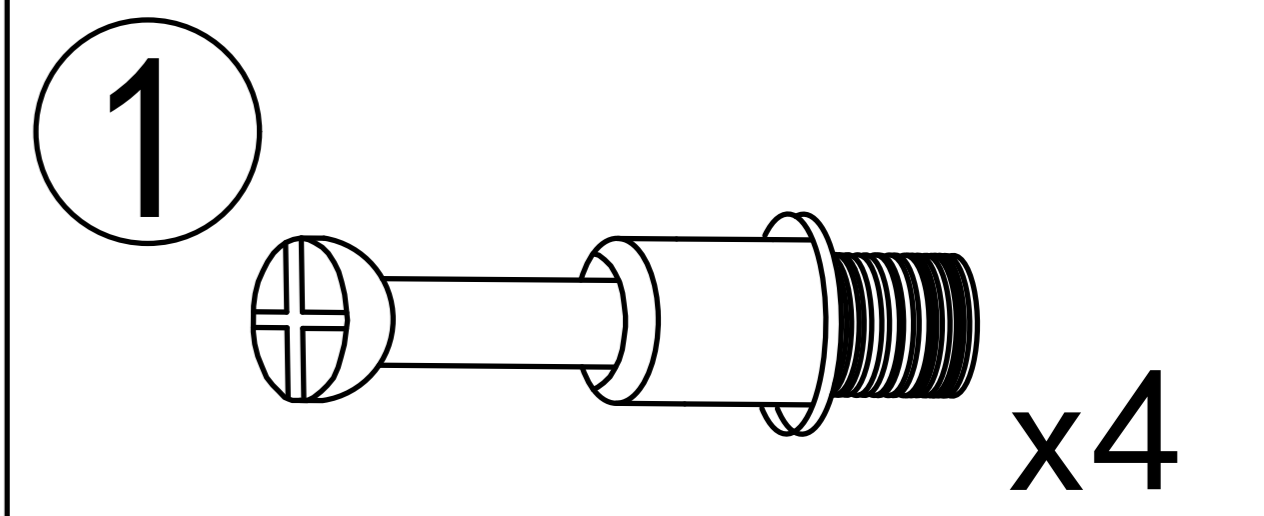
- ①  x8
- ②  x8
- ④  x2
-  x4

The installation method for the other drawer is the same

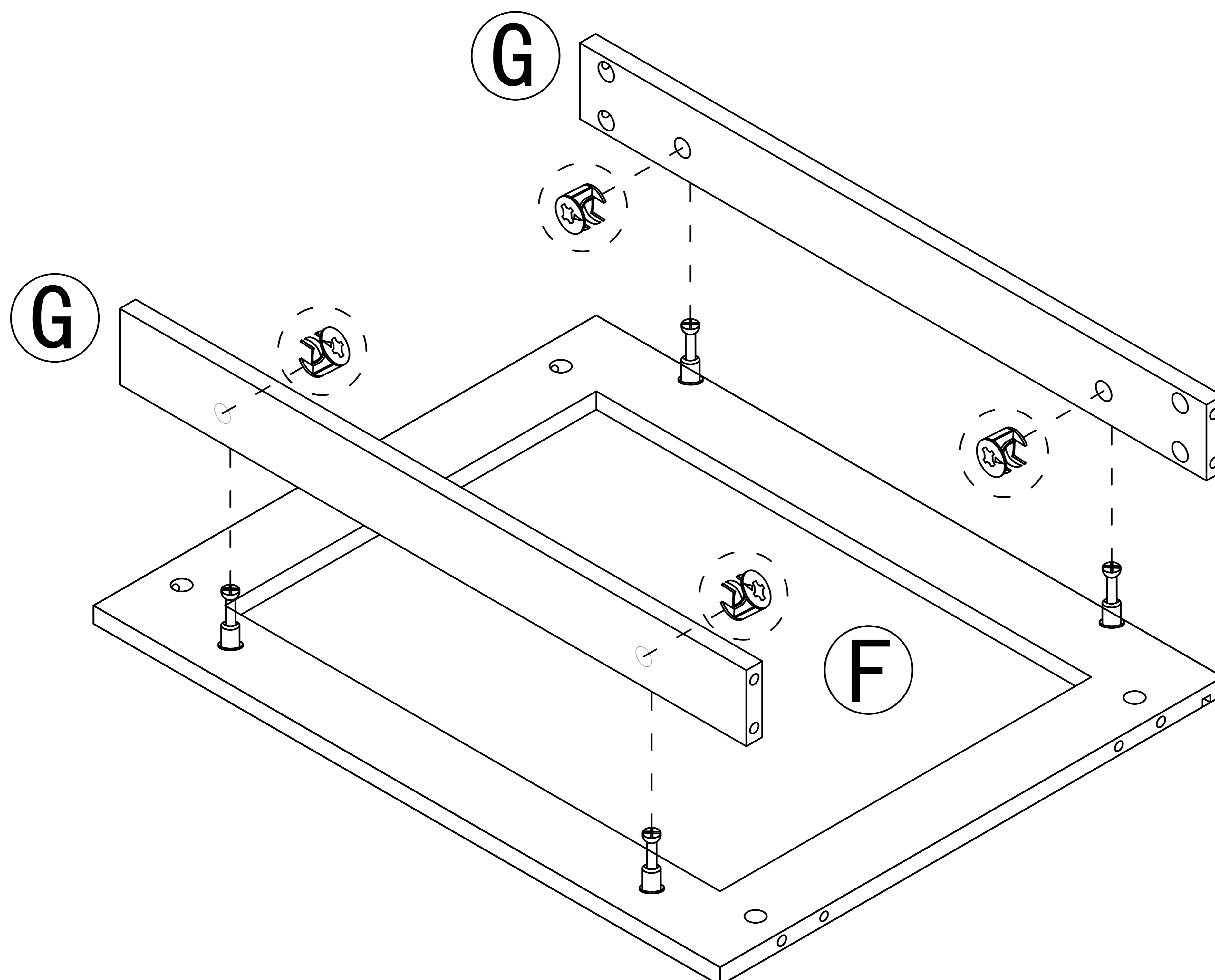
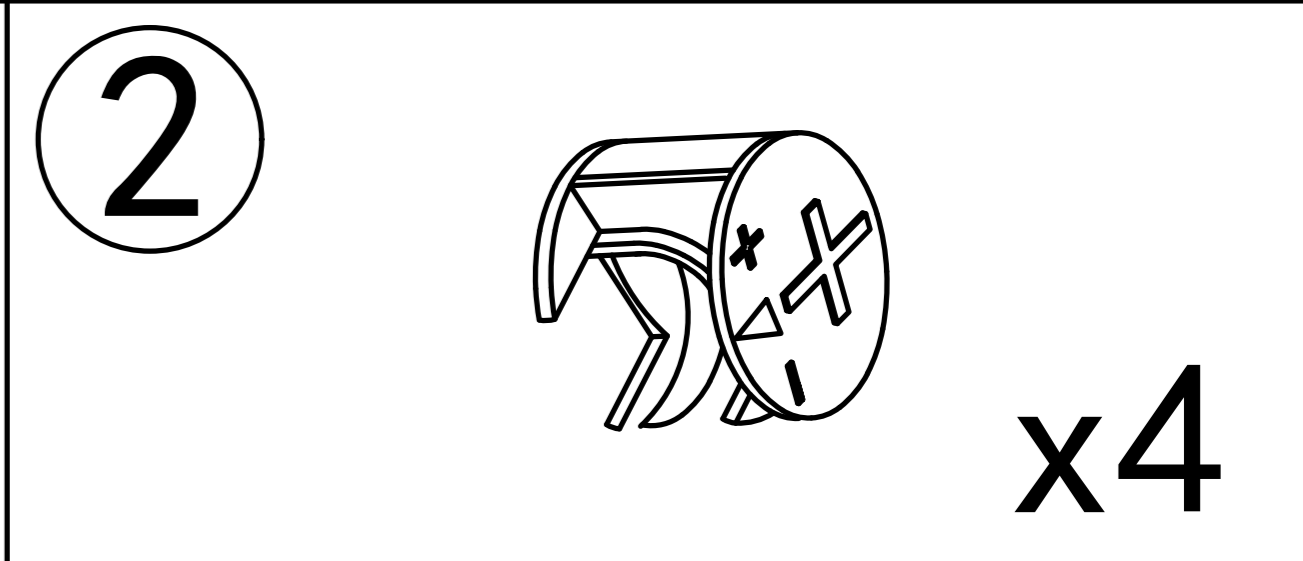
1		60pcs	2		60pcs	3		8pcs
4		4pcs	5		4pcs	6		2pcs
		12pcs						6pcs
7		1pcs	8		2pcs	9		4pcs
		1pcs			6pcs			4pcs
		1pcs						
10		3pcs	11		1pcs			1pcs
					3pcs			
					1pcs			



# Step 8

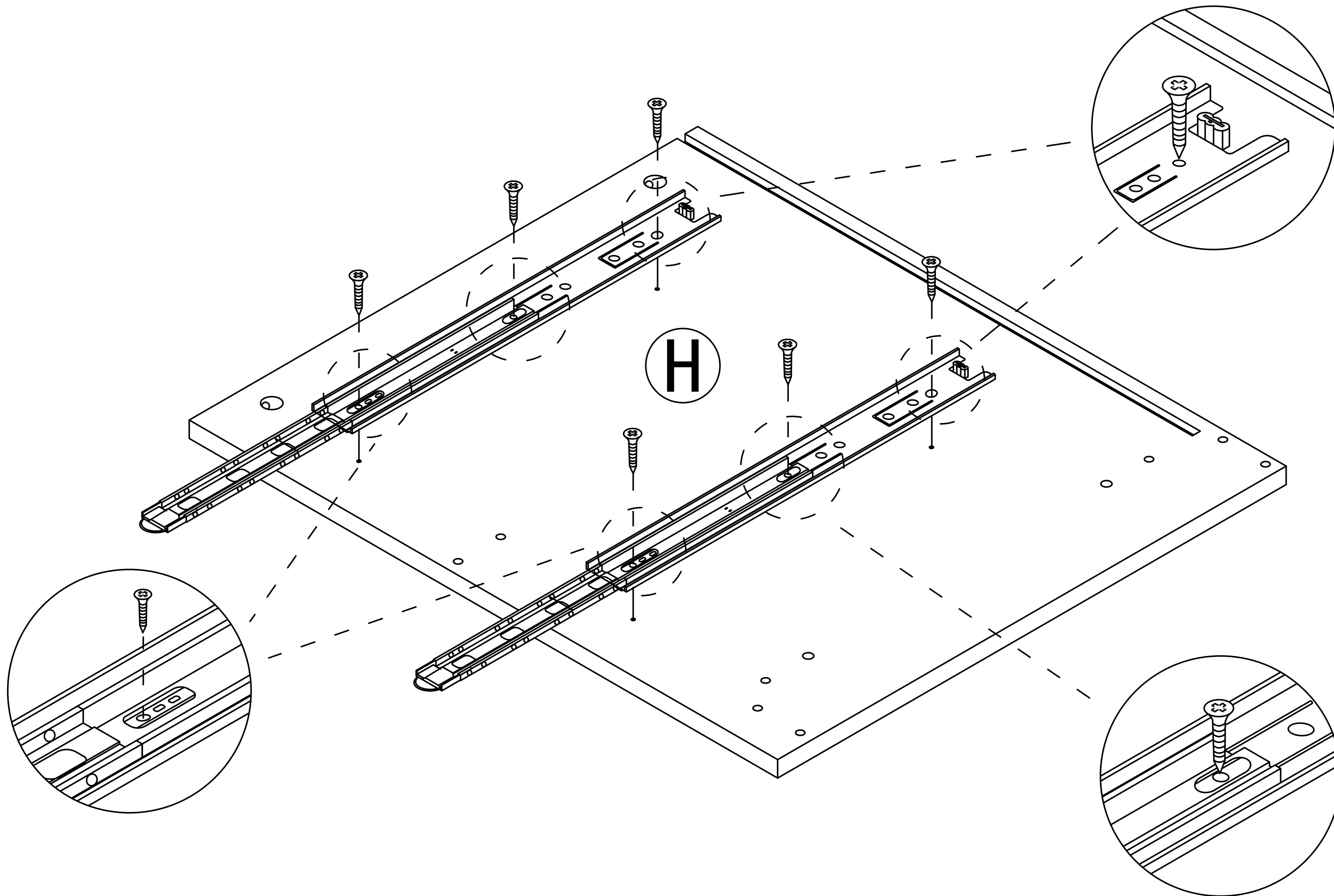
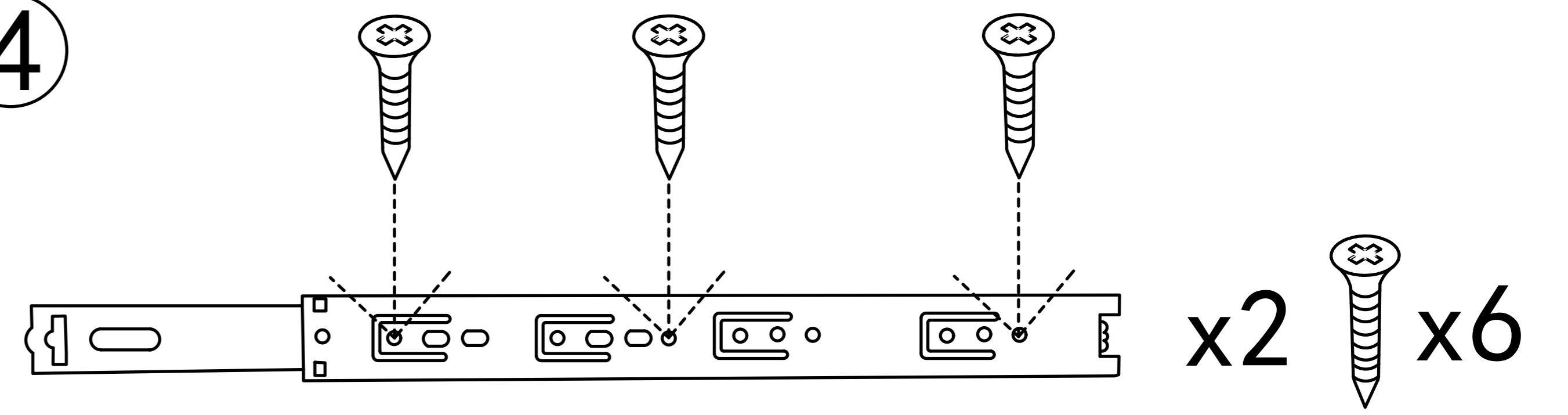


# Step 9



# Step 10

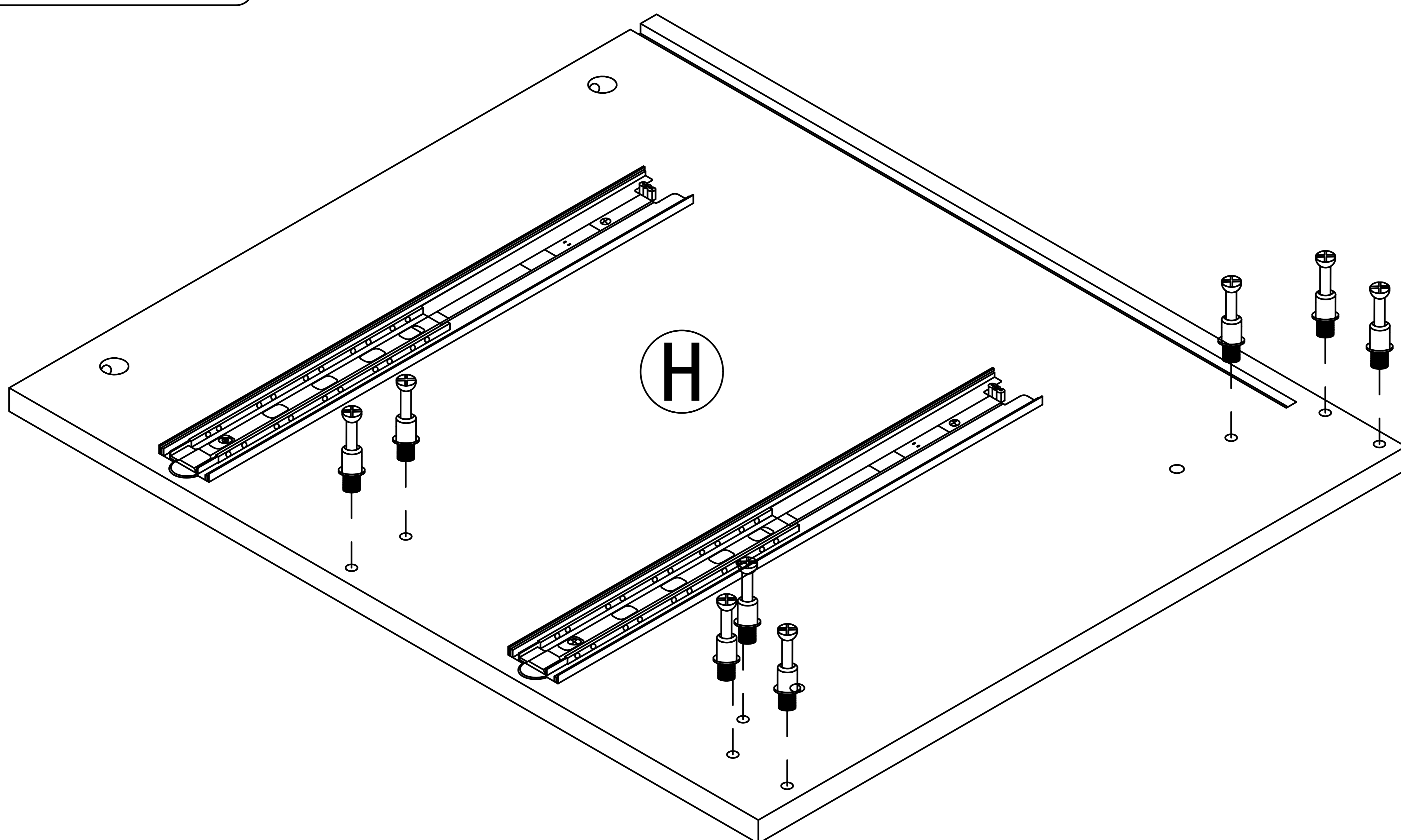
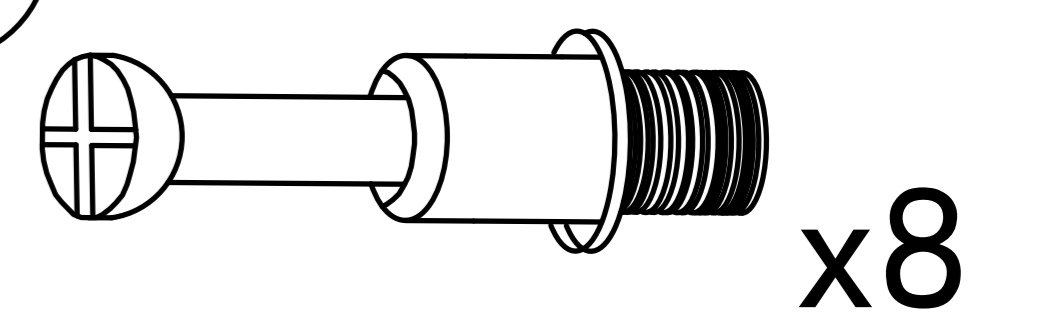
4



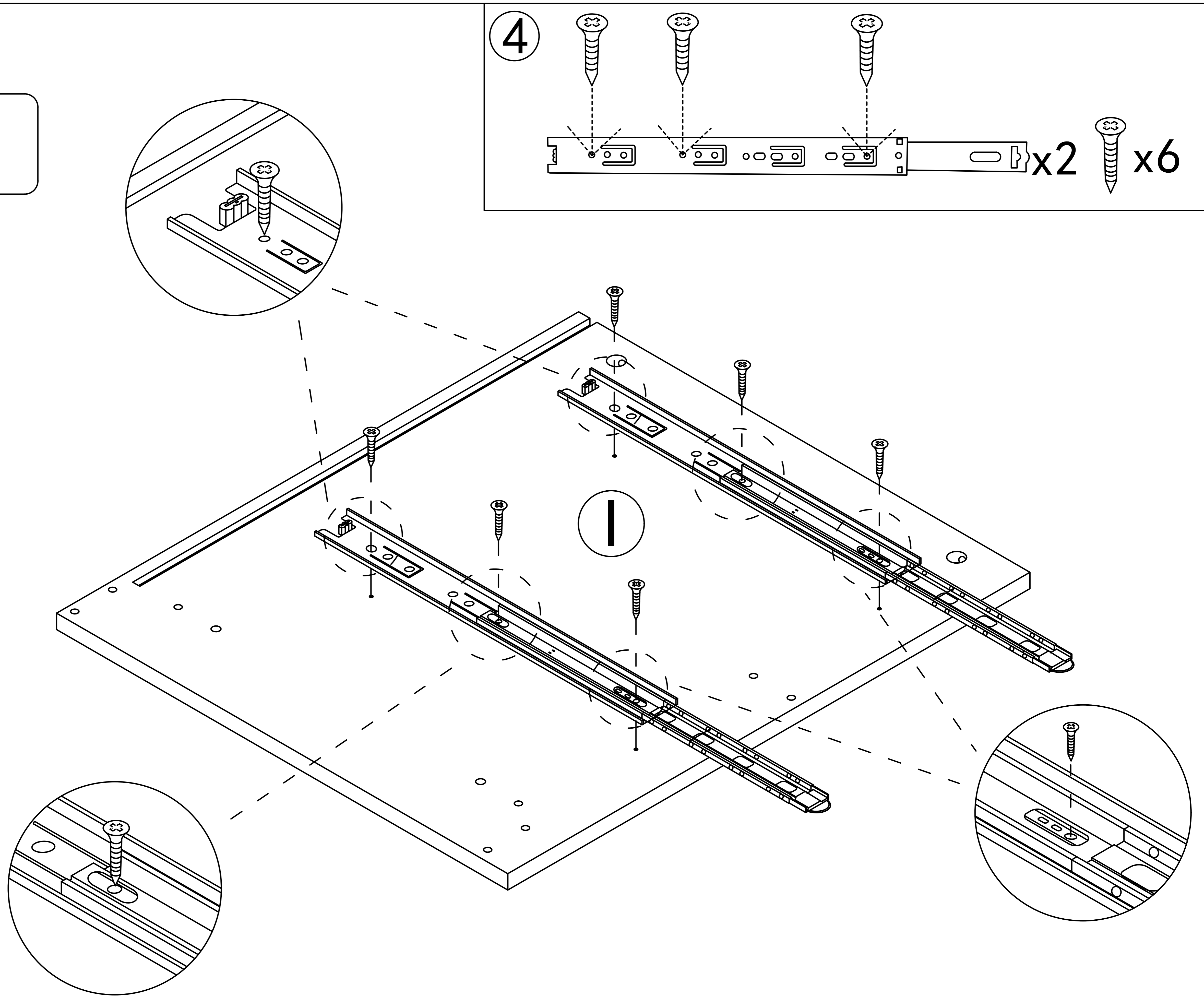
This hole is for strengthening fixed hole customers can choose to install according to their needs.

# Step 11

1

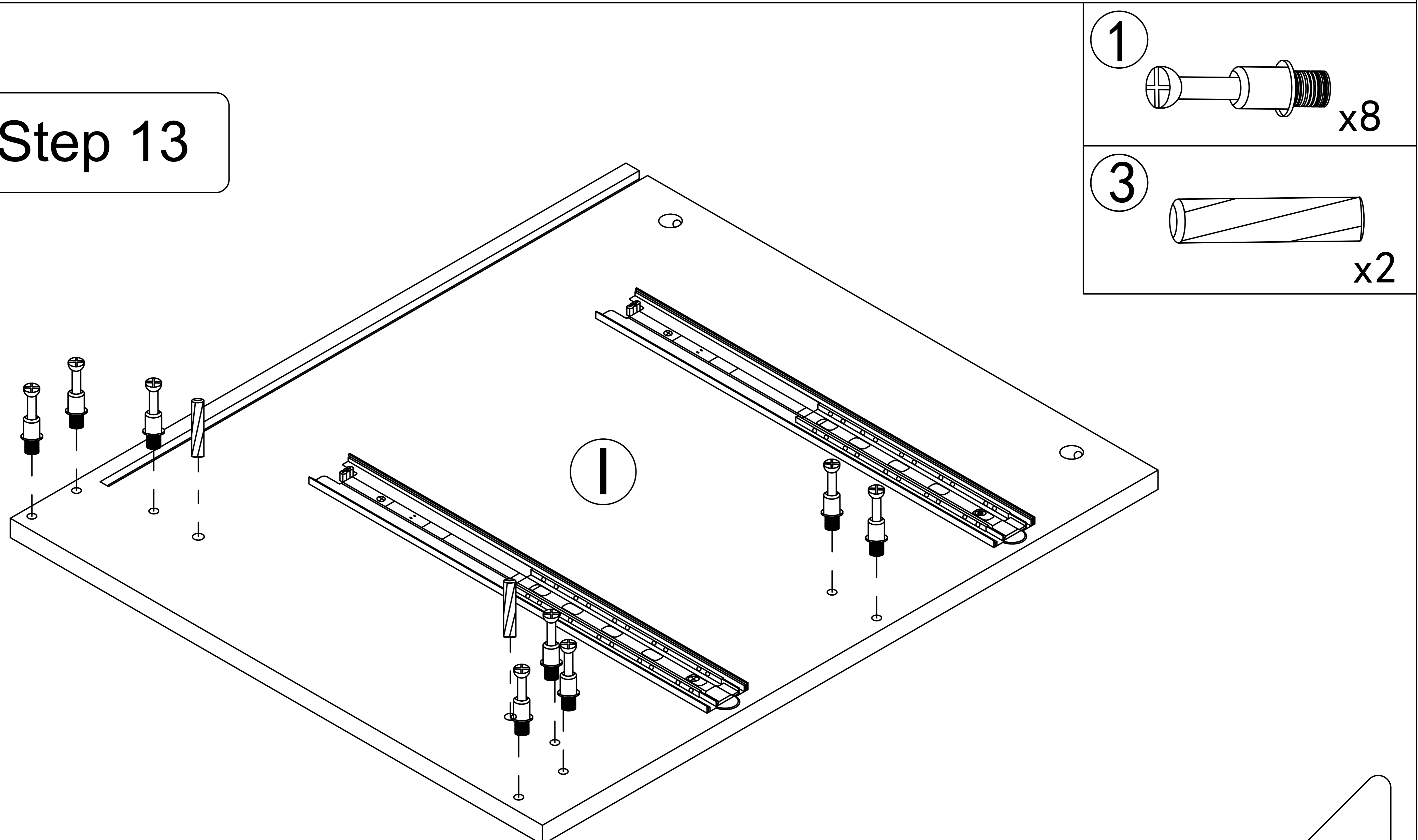


# Step 12



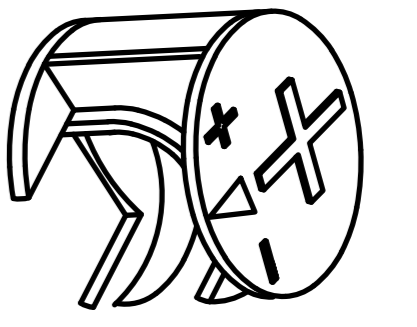
This hole is for strengthening fixed hole customers can choose to install according to their needs.

# Step 13

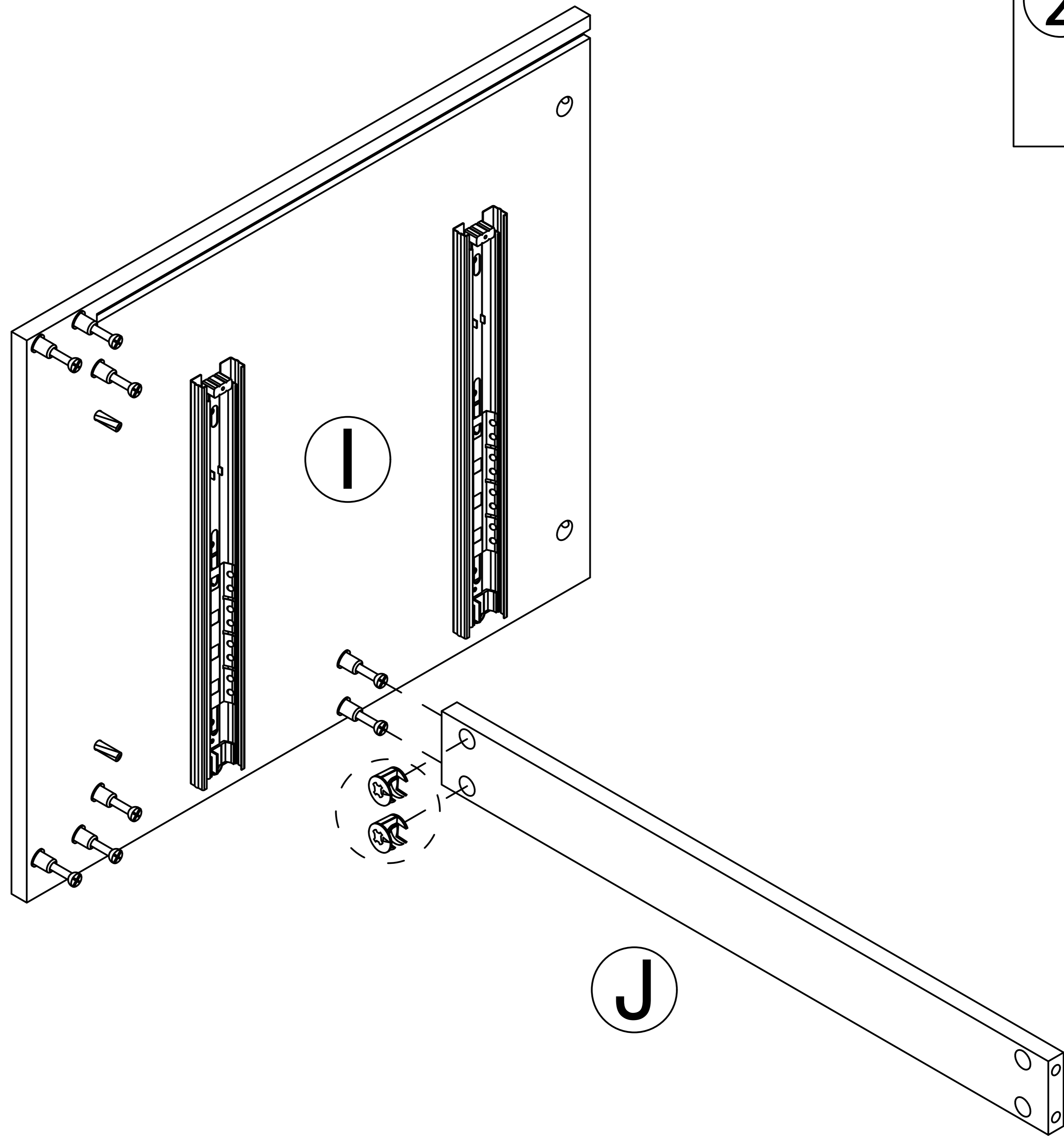


# Step 14

2

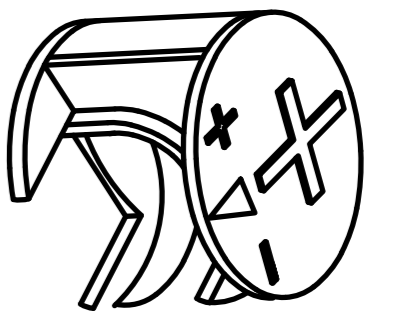


x2

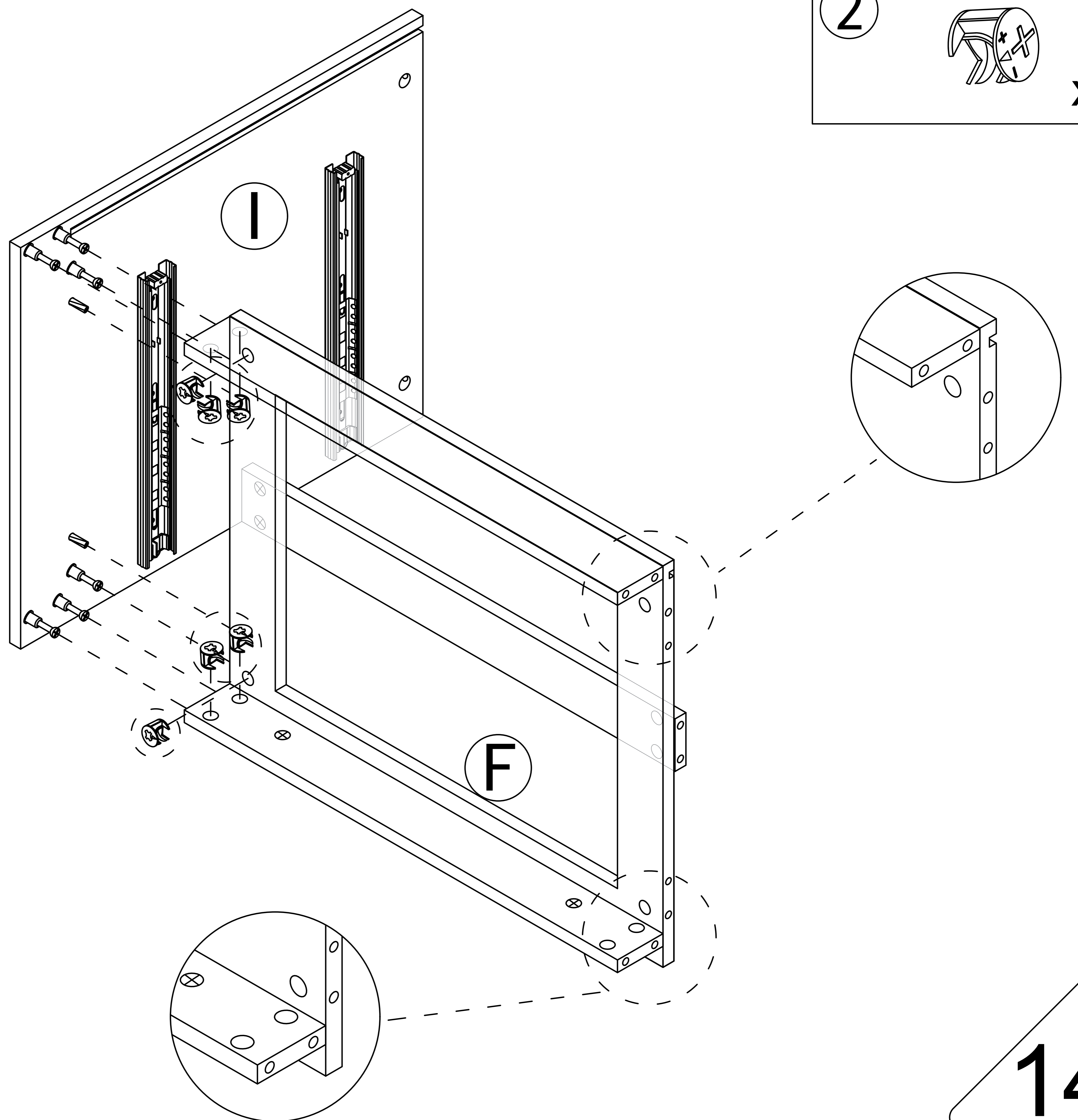


# Step 15

2

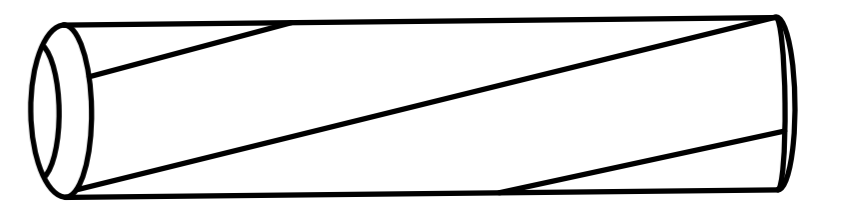


x6

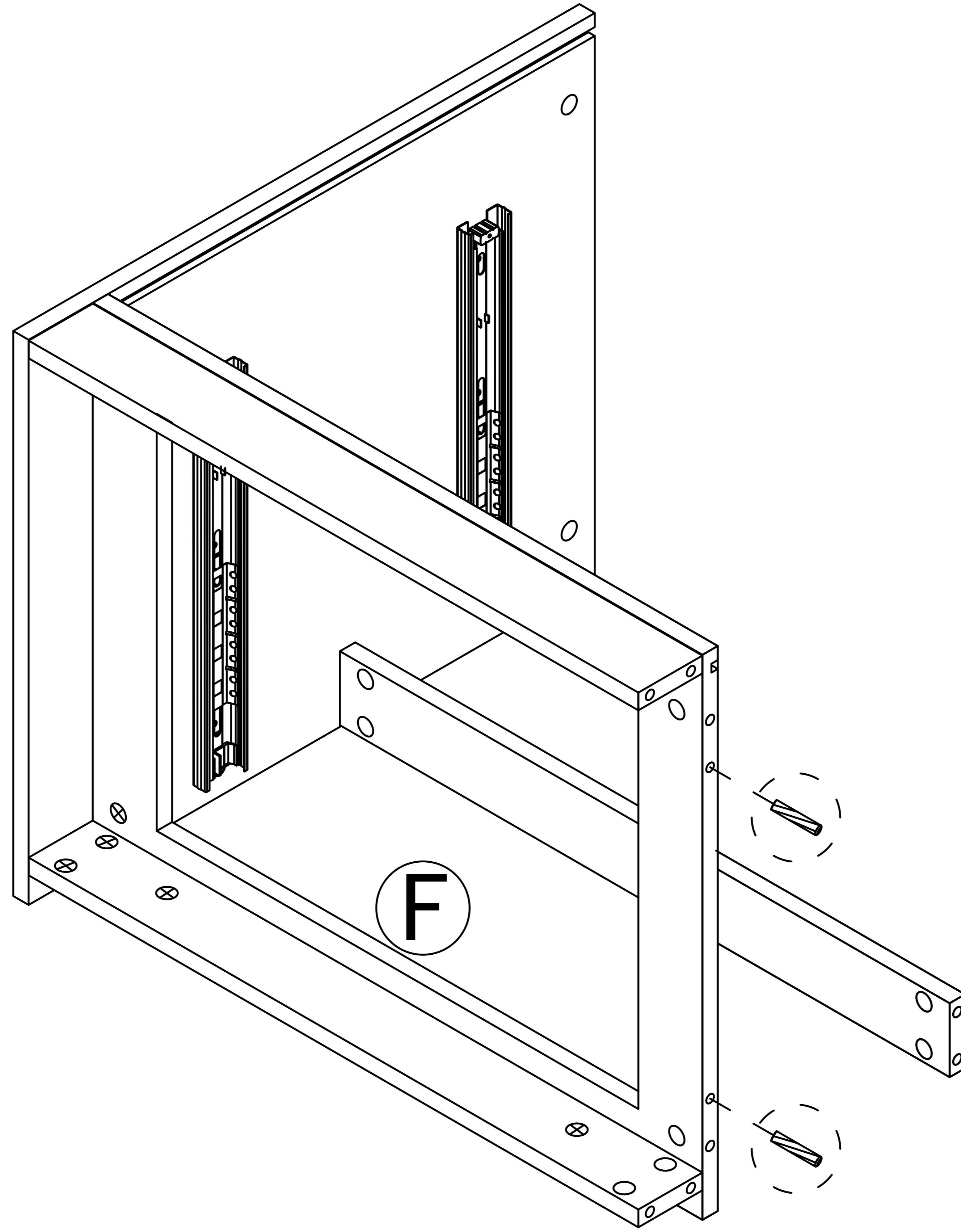


Step 16

3

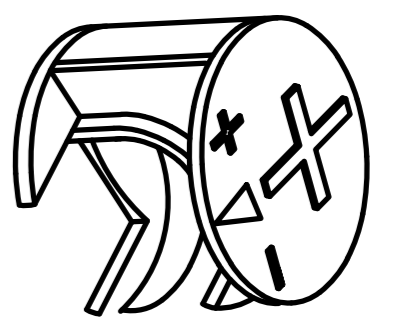


x2

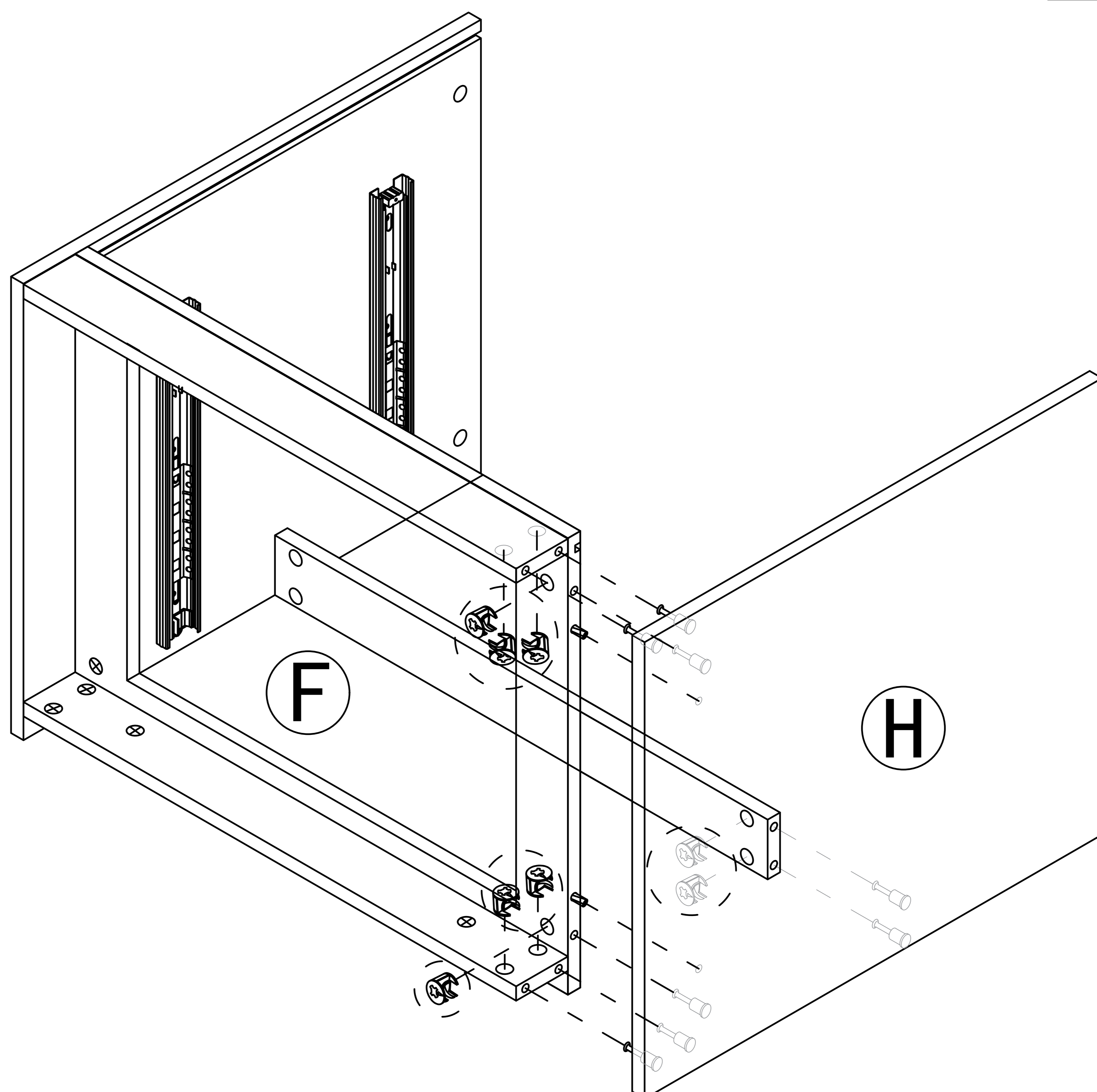


Step 17

2

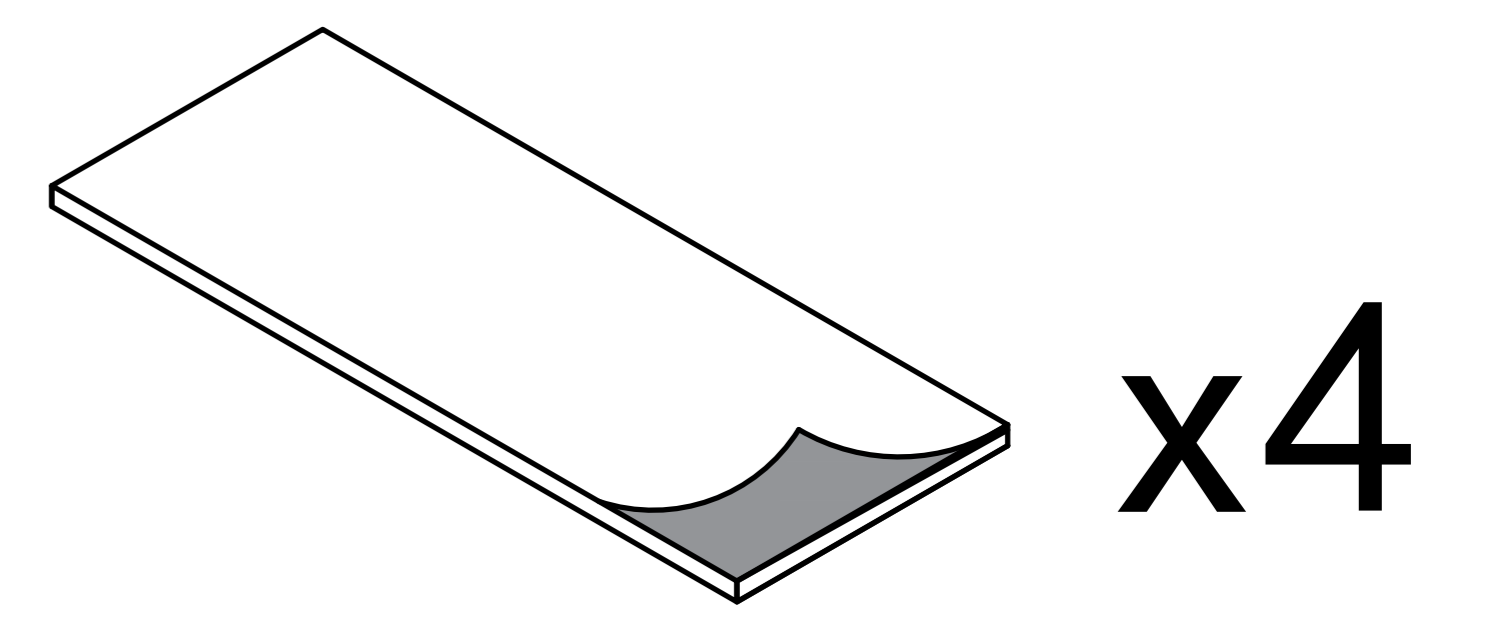


x8

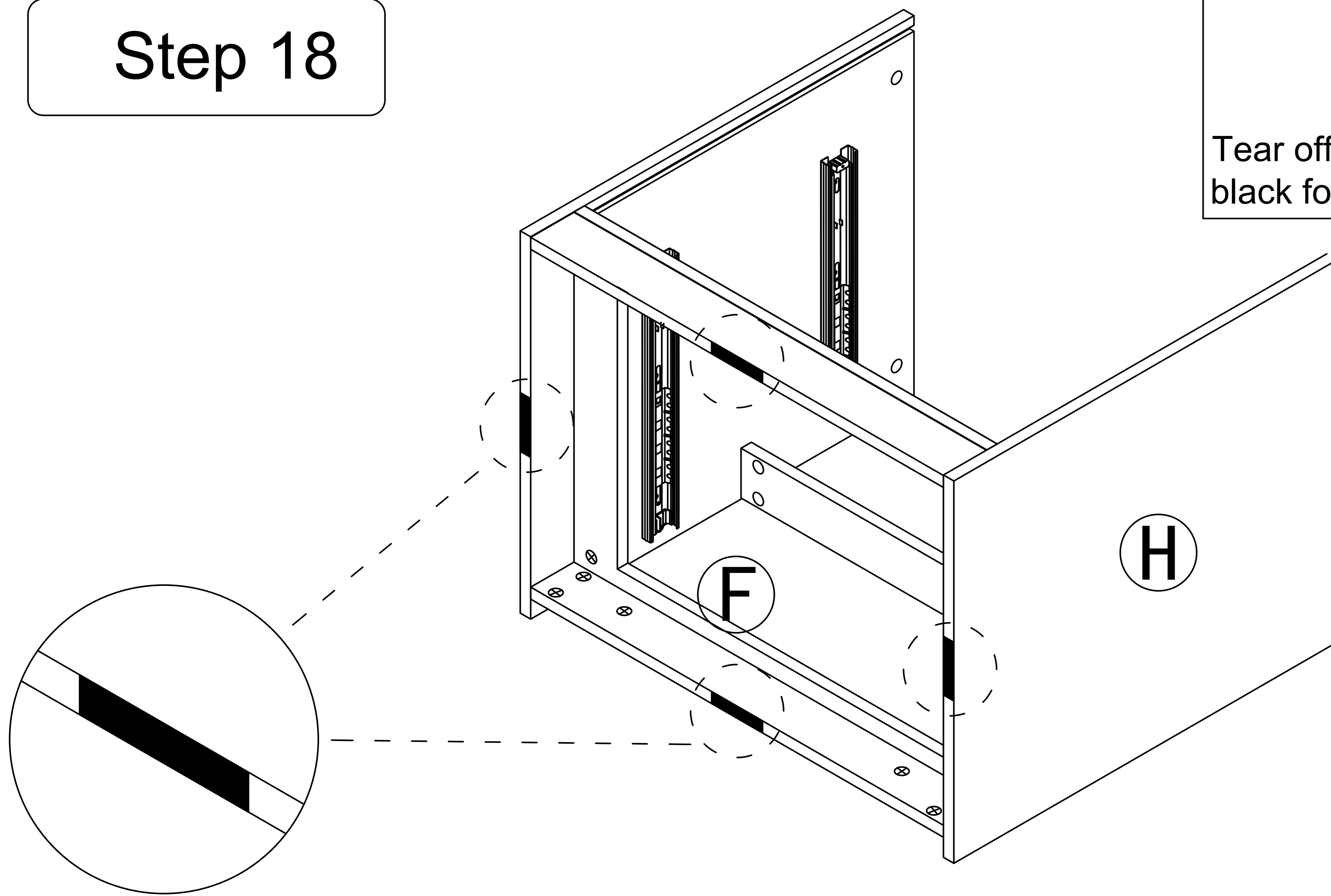


# Step 18

5

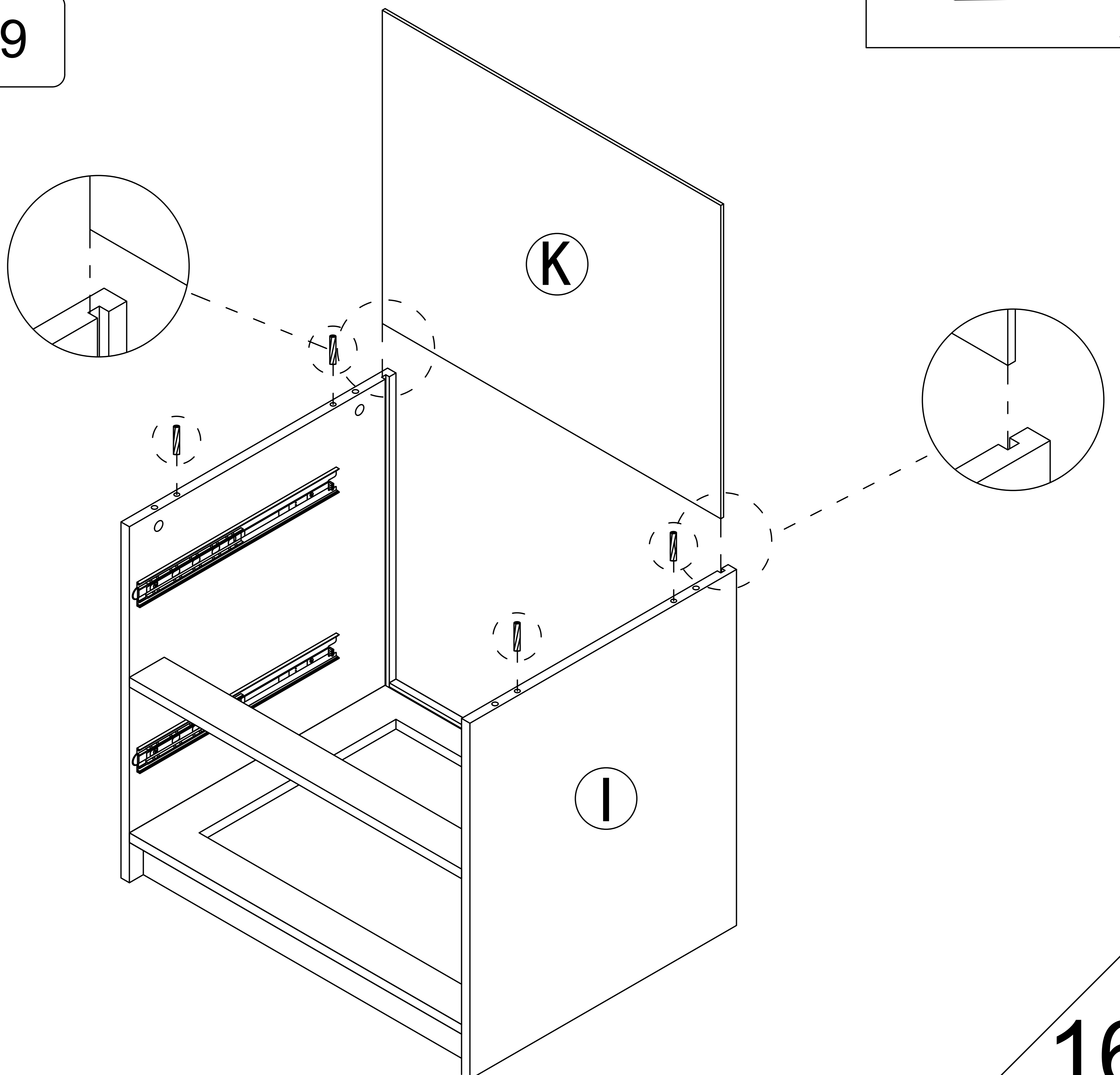
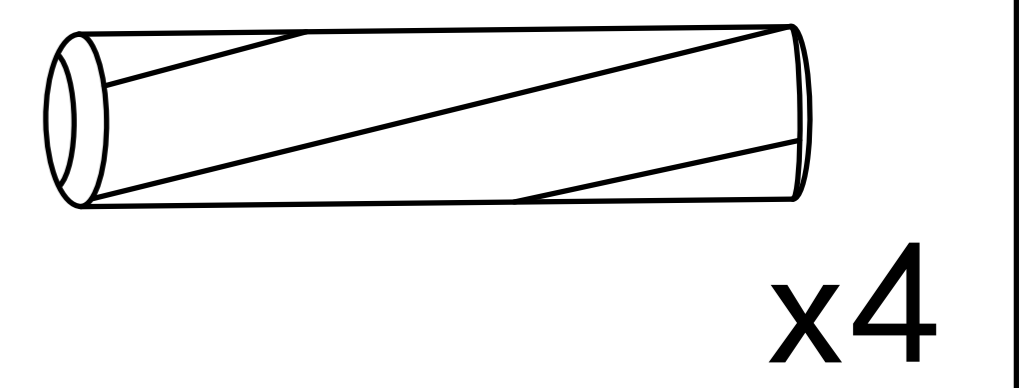


Tear off release paper and stick the black foot pad on the board

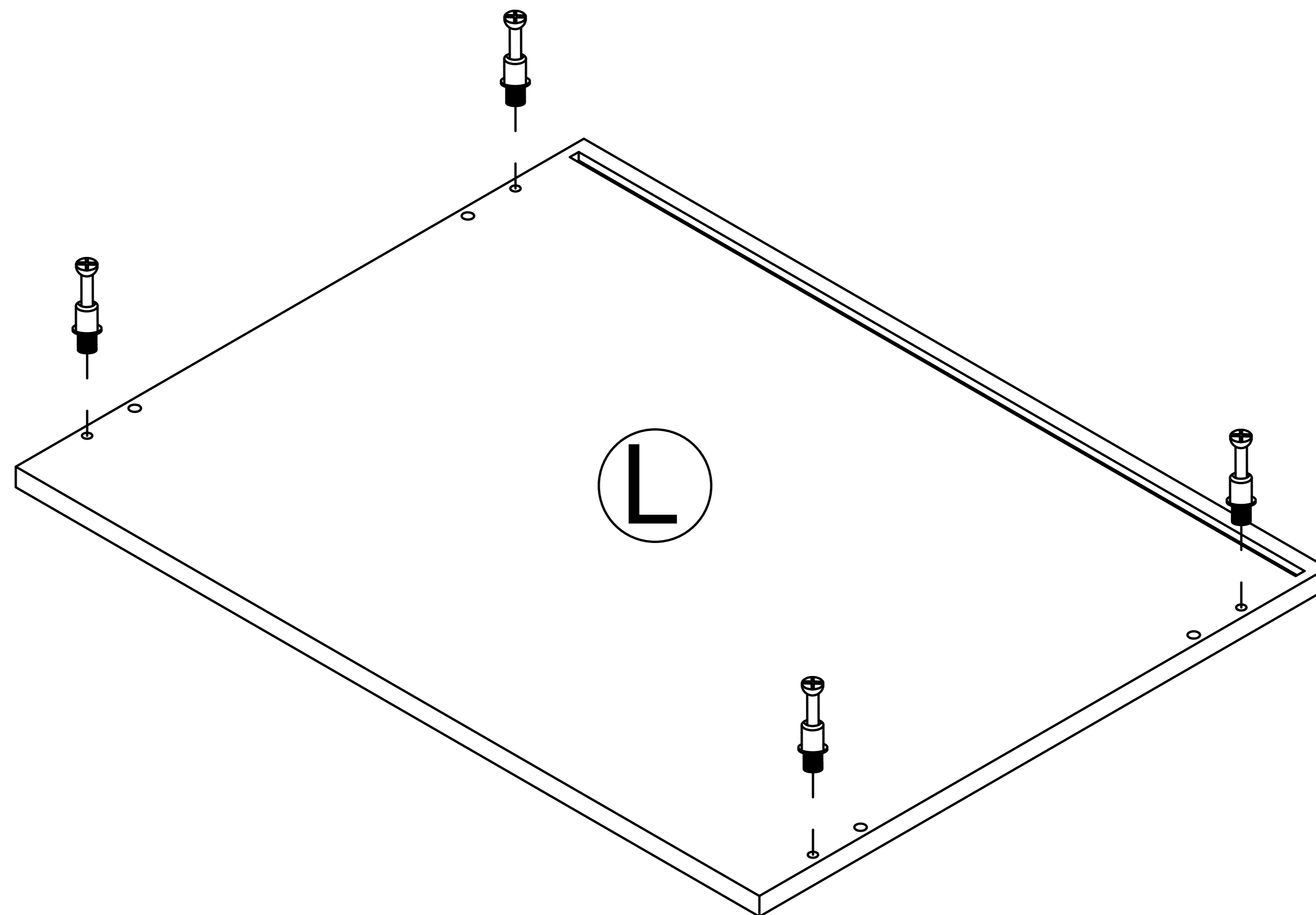
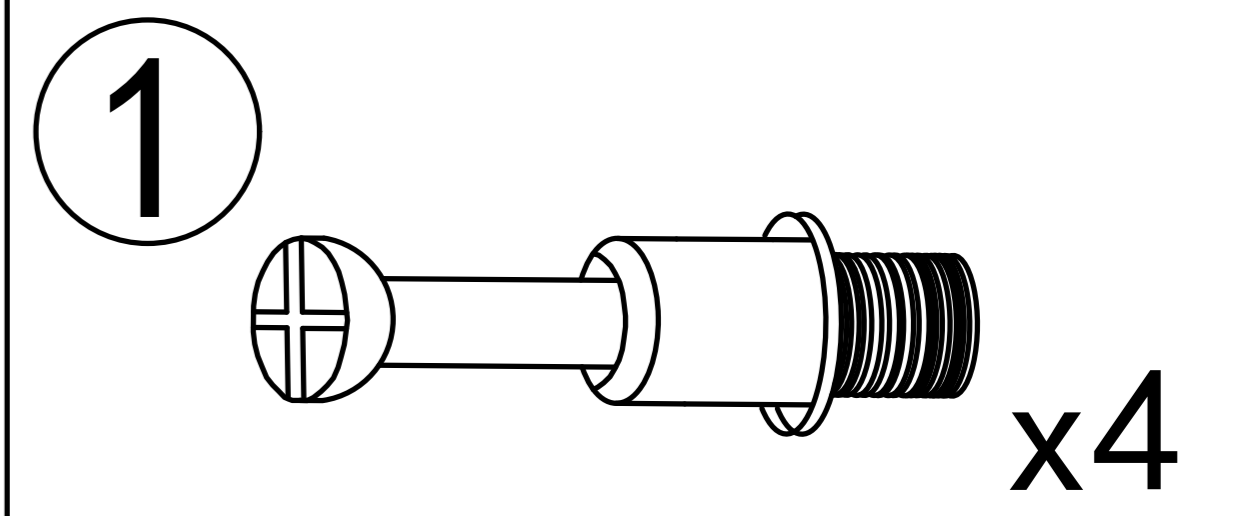


# Step 19

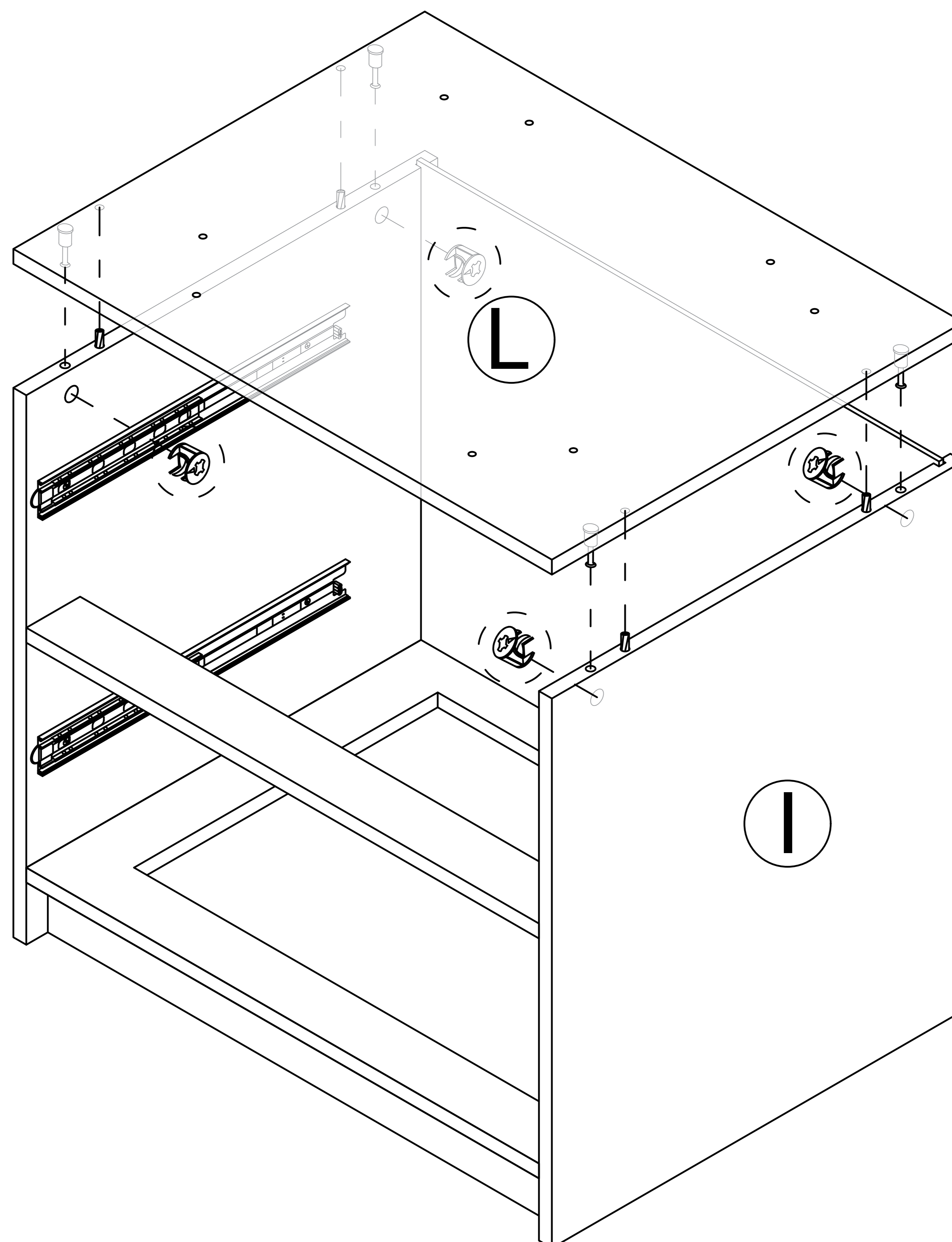
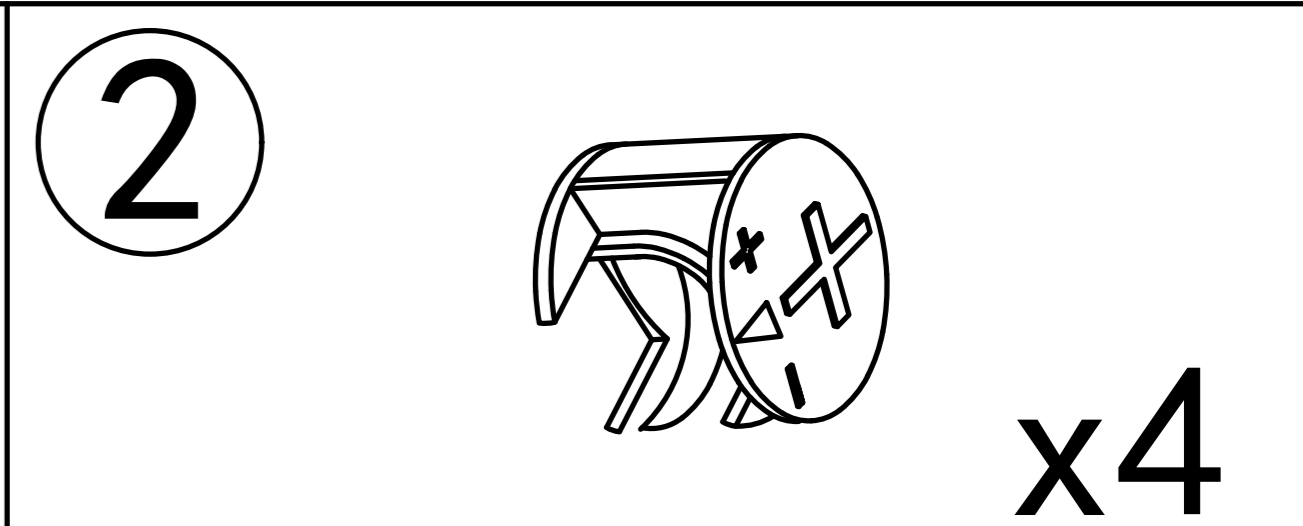
3



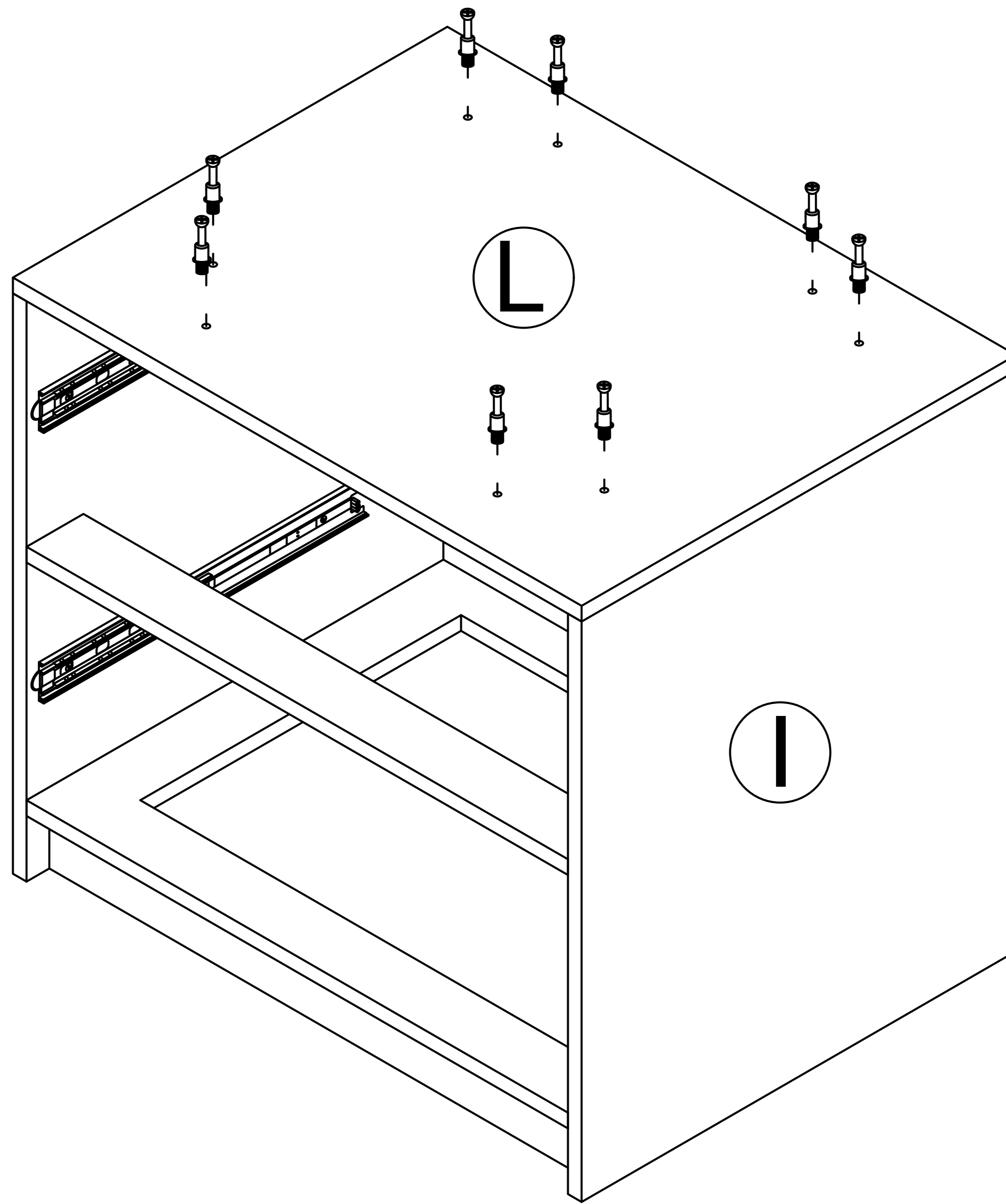
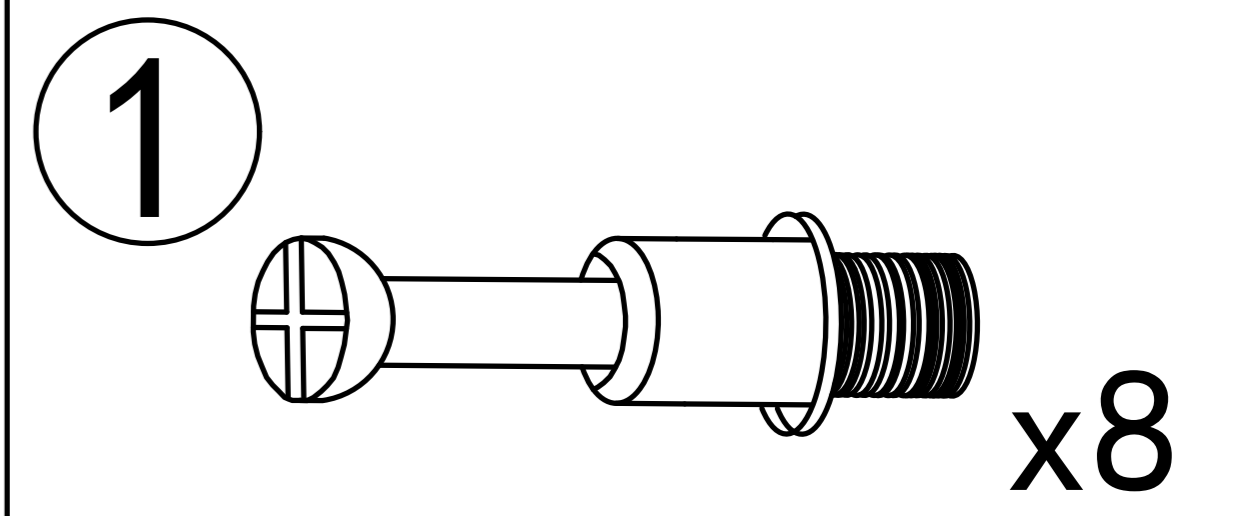
# Step 20



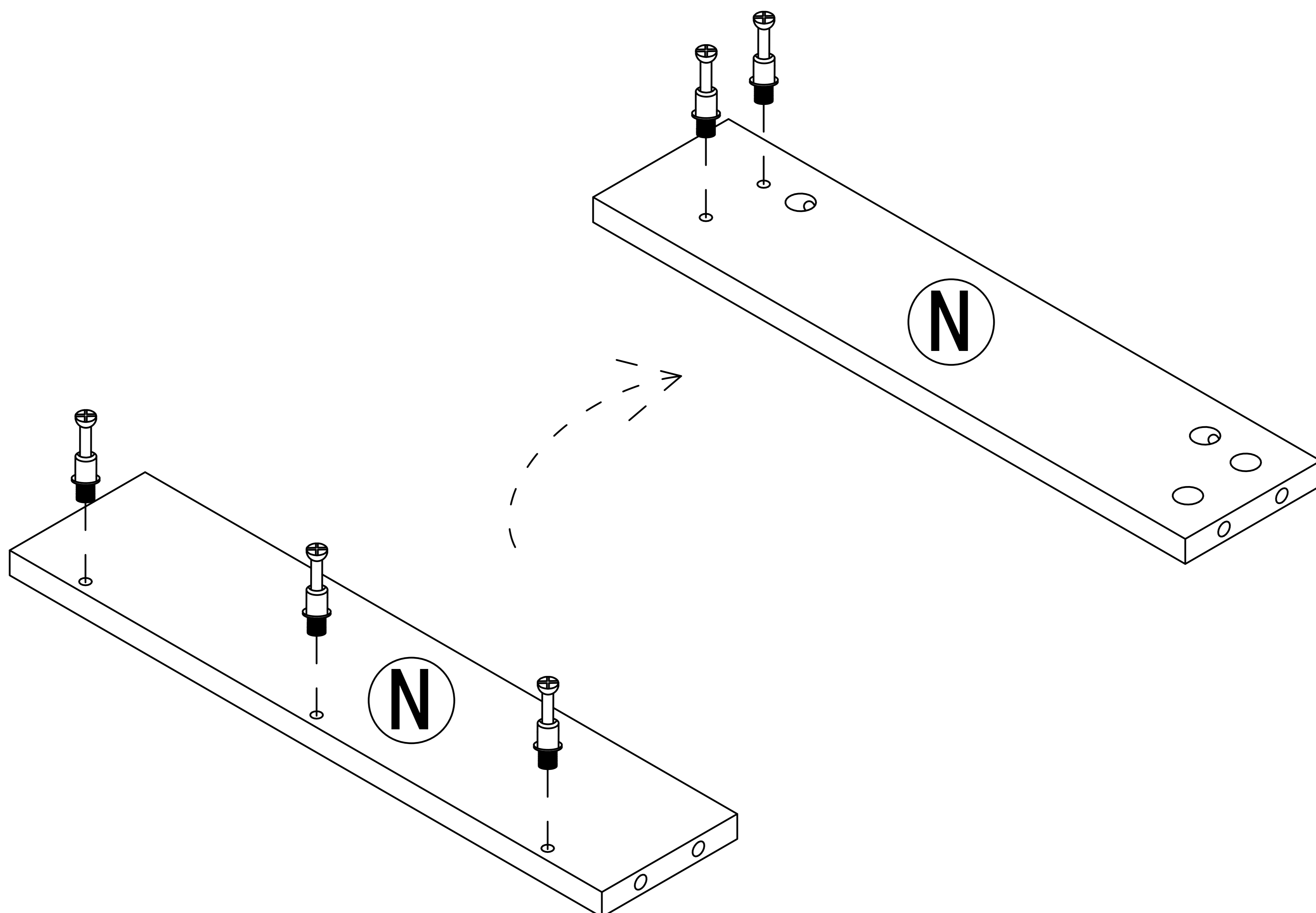
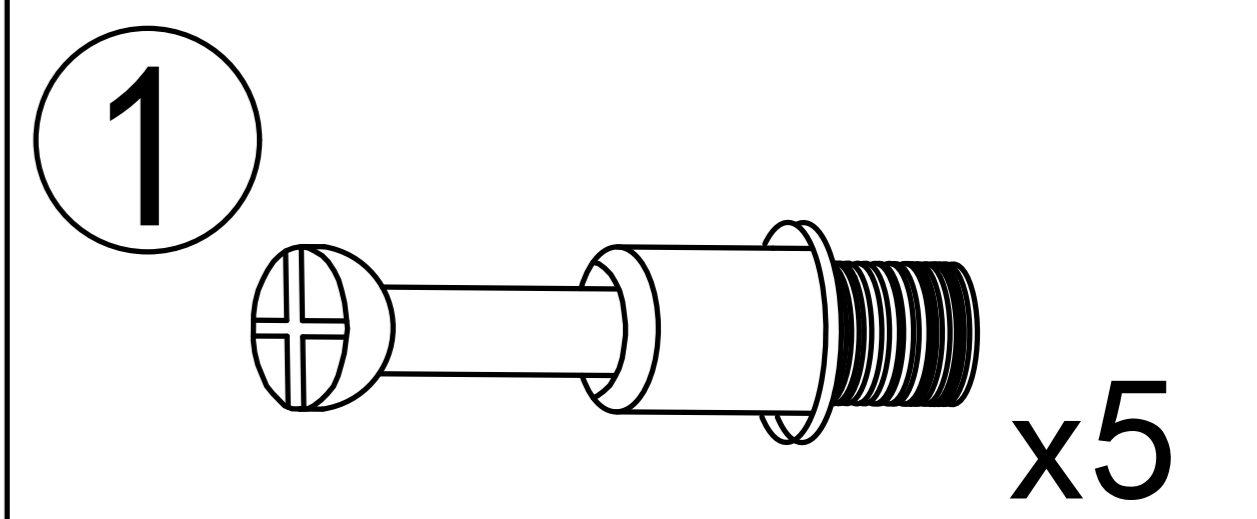
# Step 21



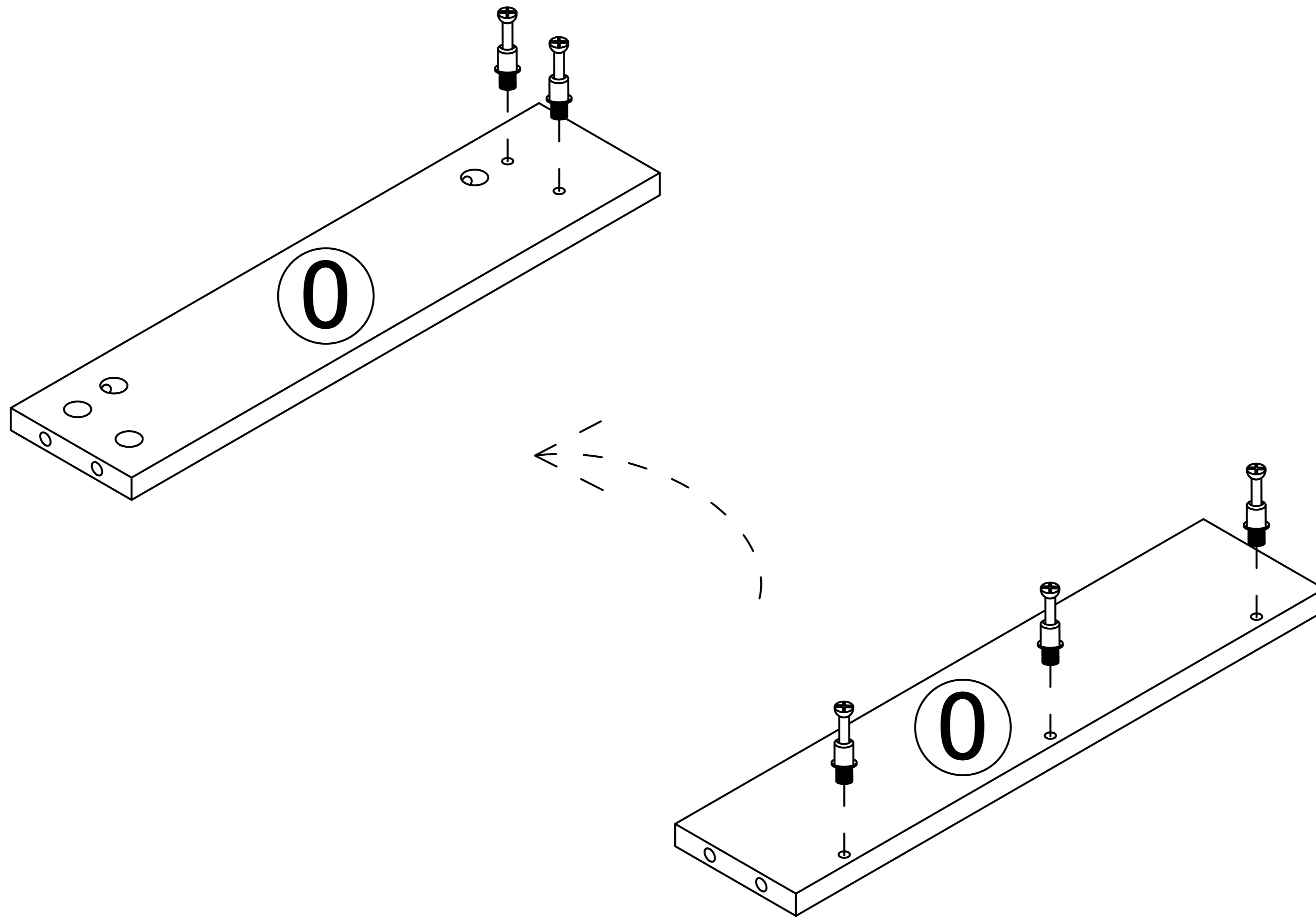
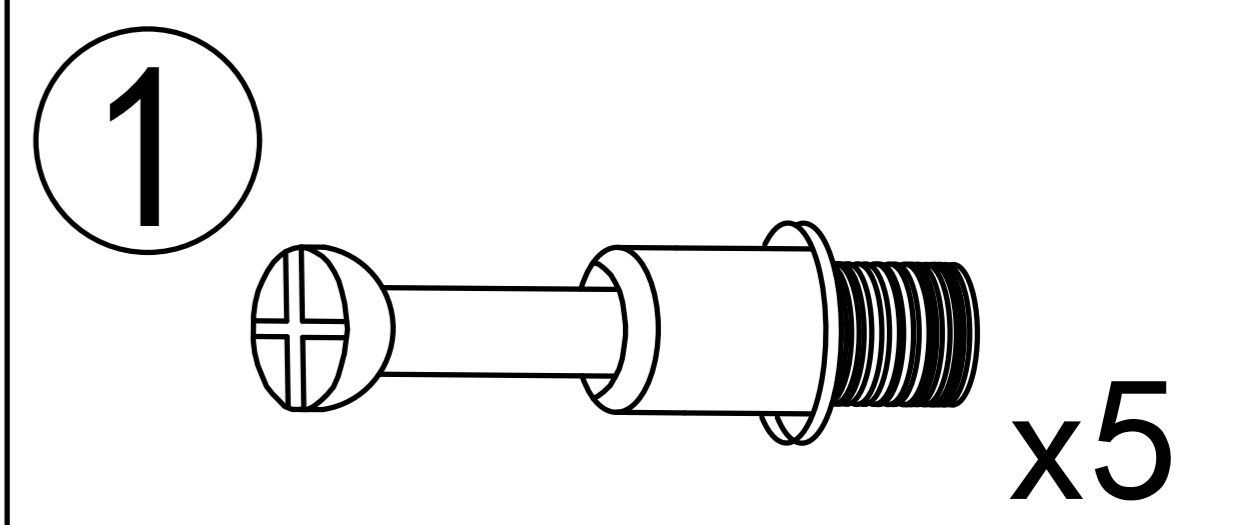
# Step 22



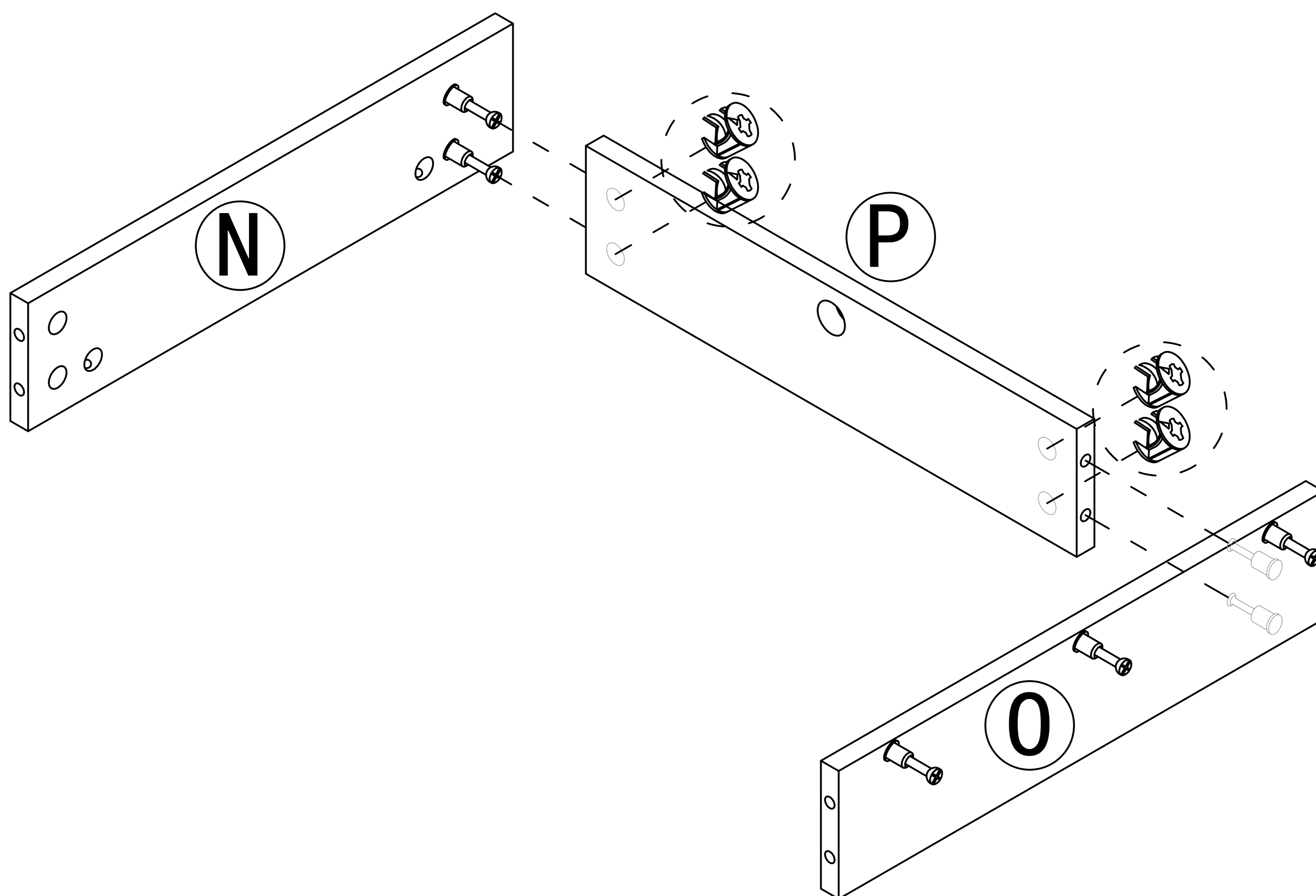
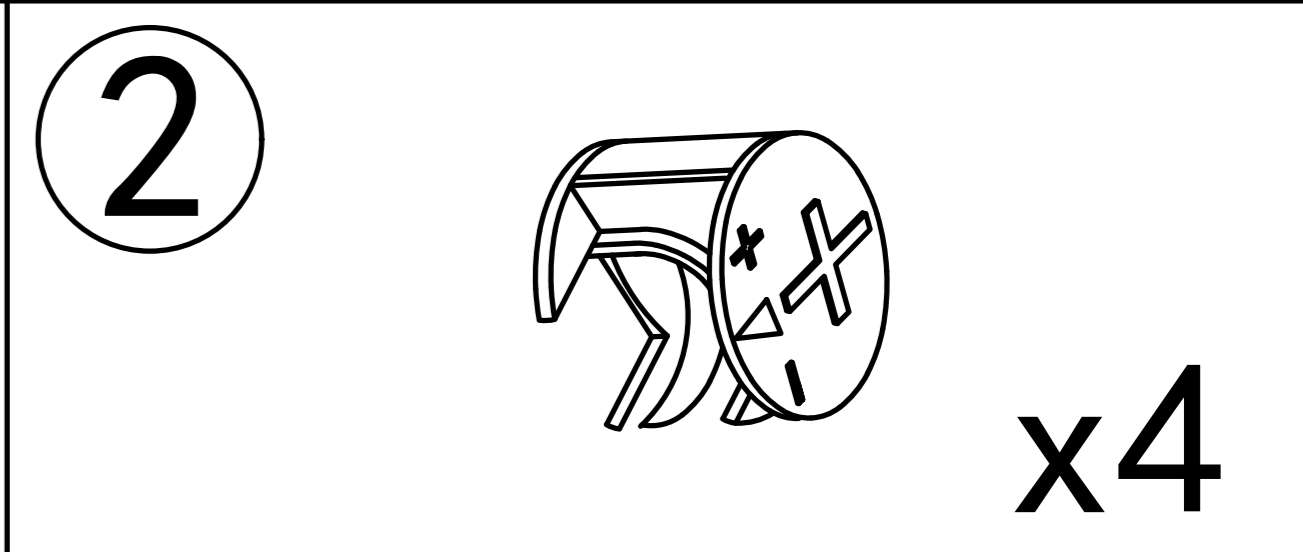
# Step 23



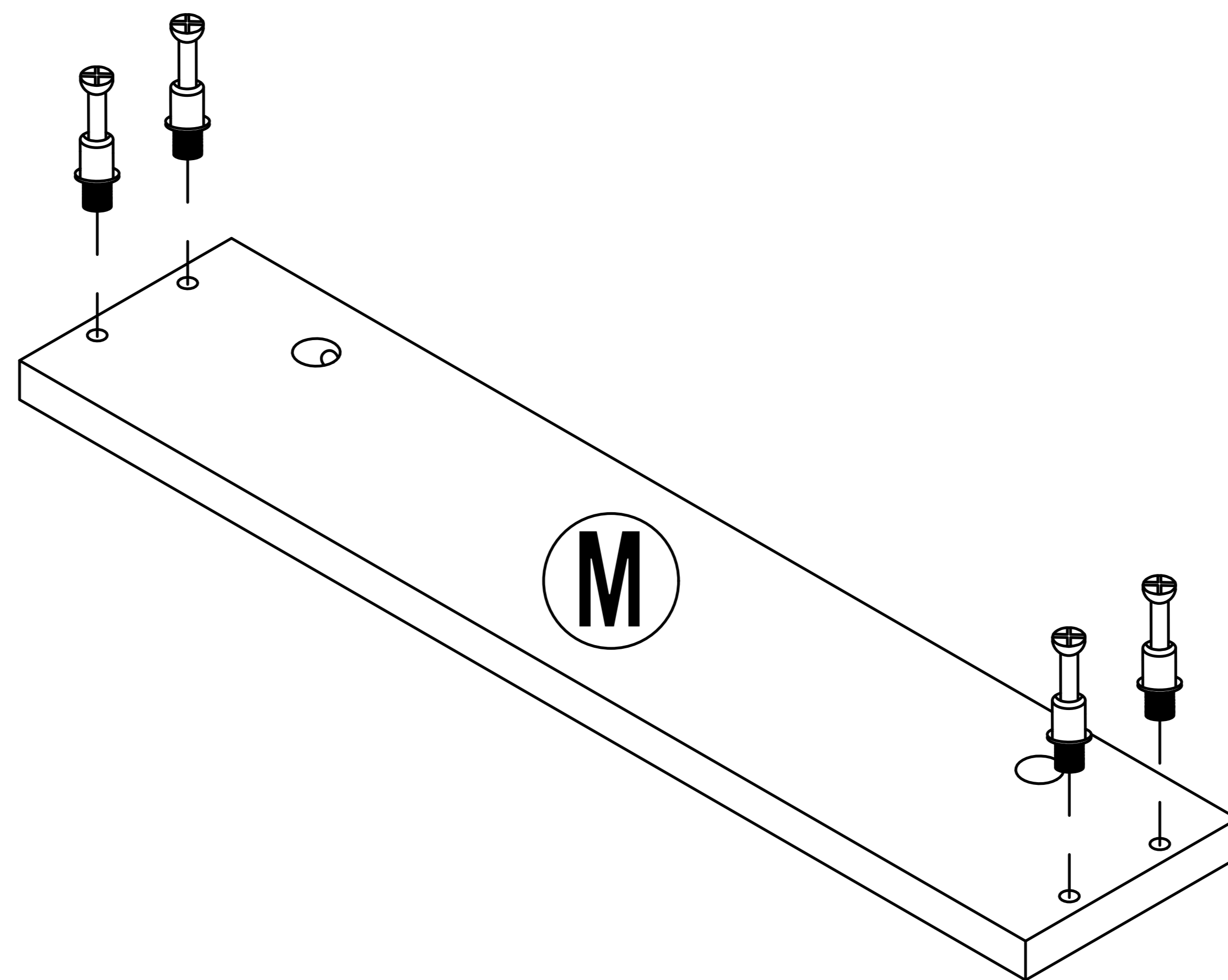
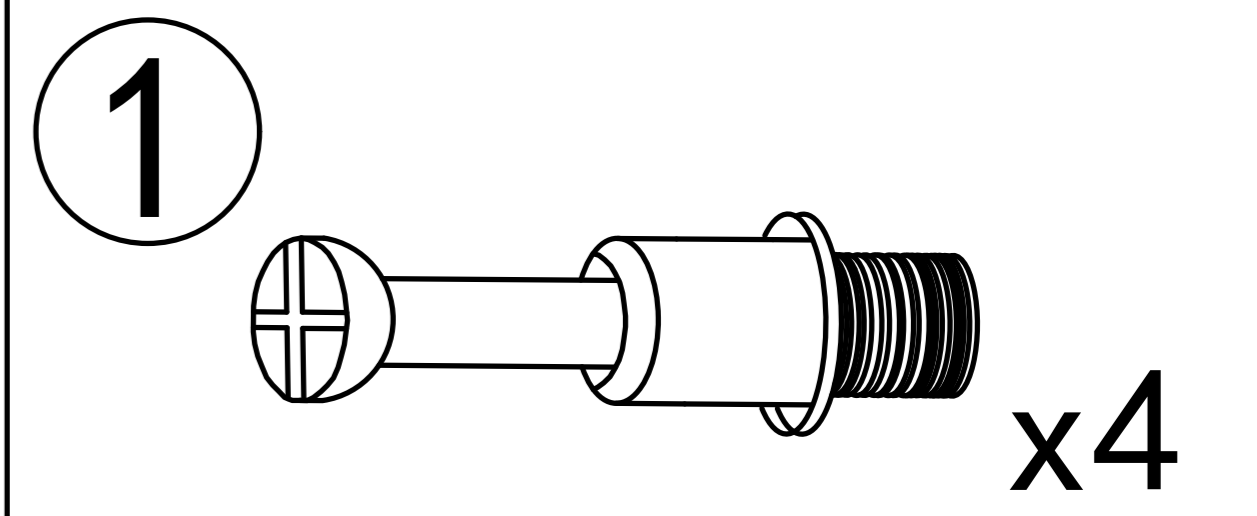
# Step 24



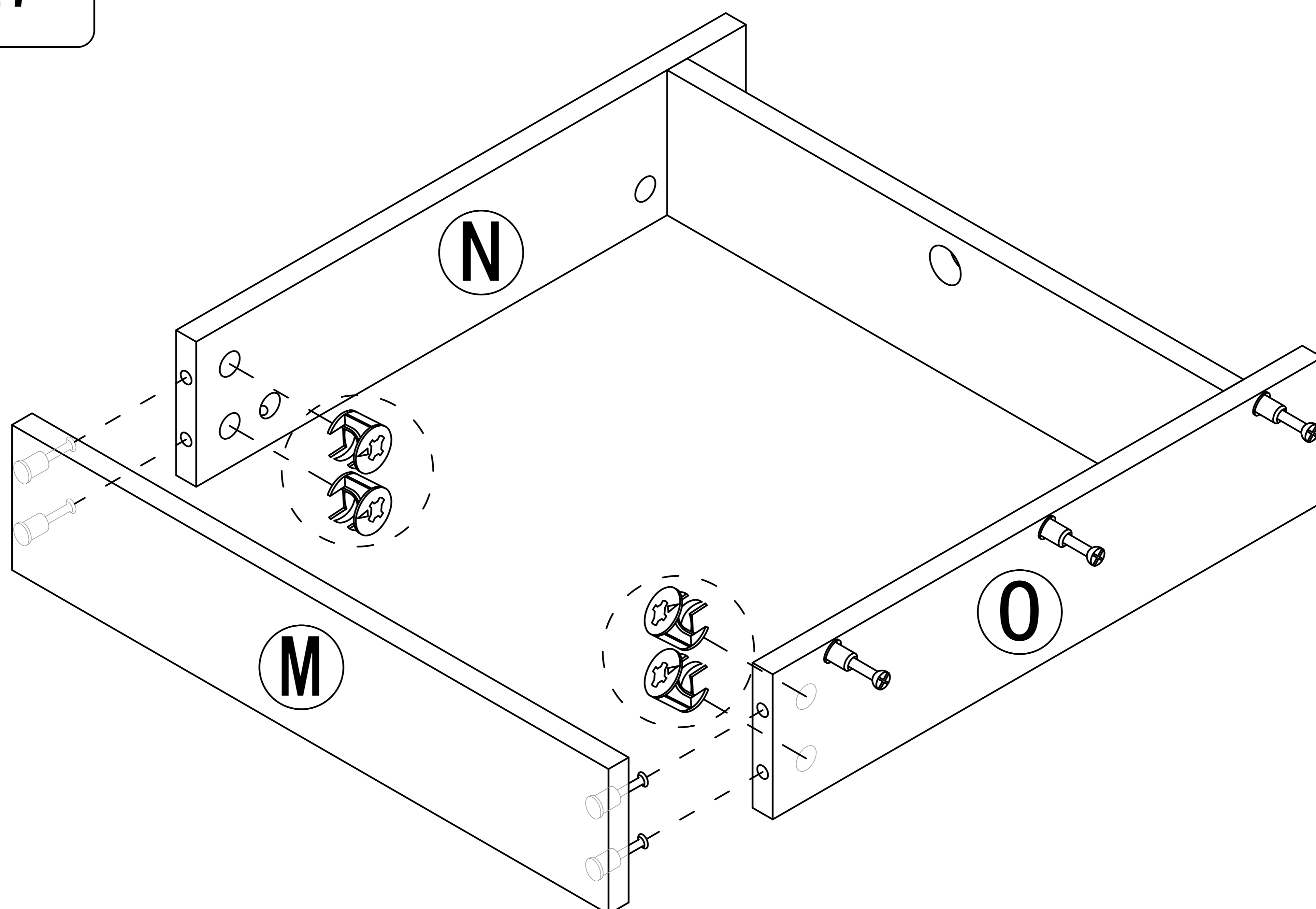
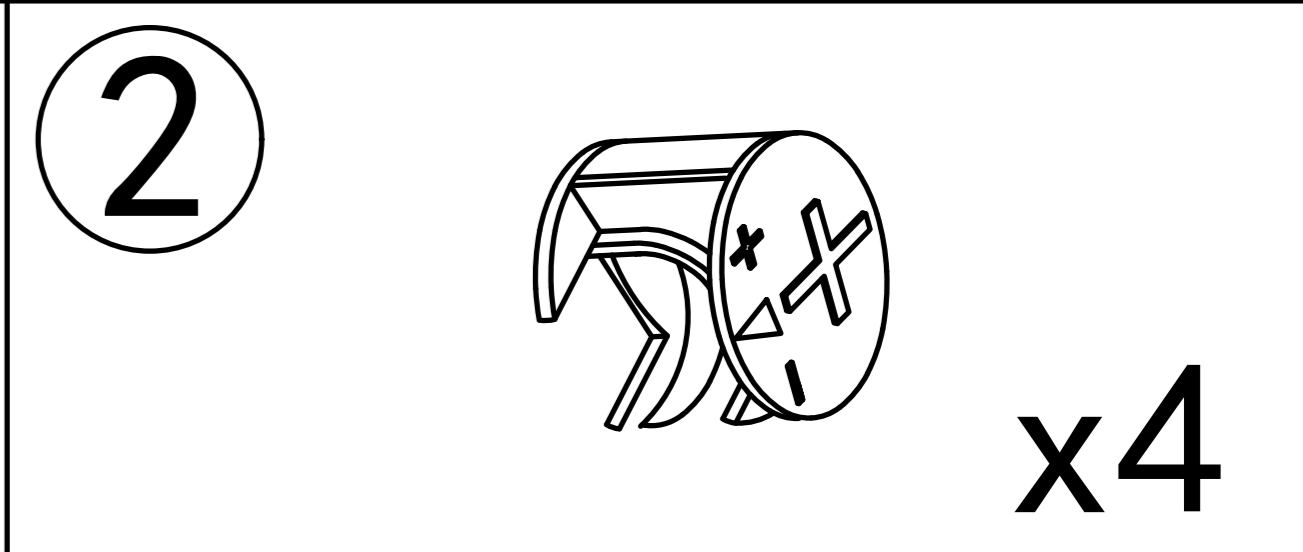
# Step 25



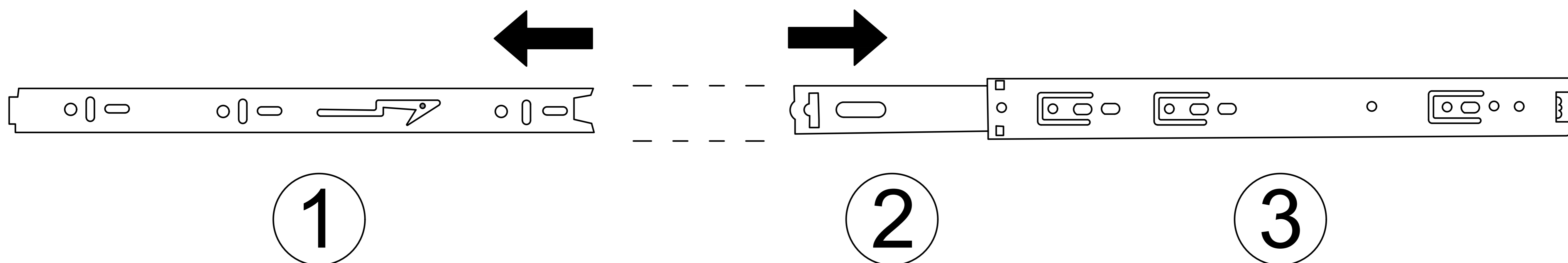
Step 26



Step 27

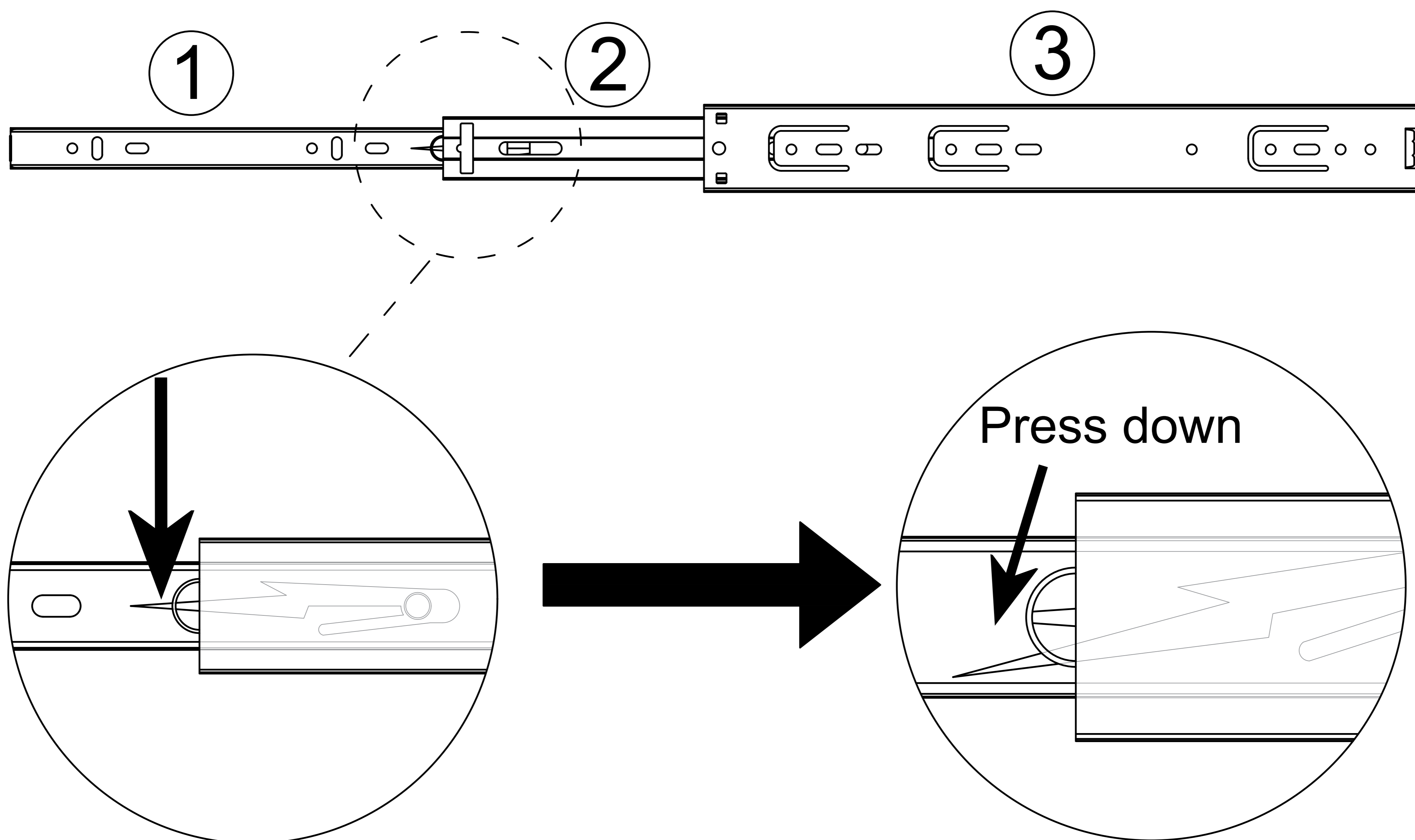


Drawer rail breakdown diagram



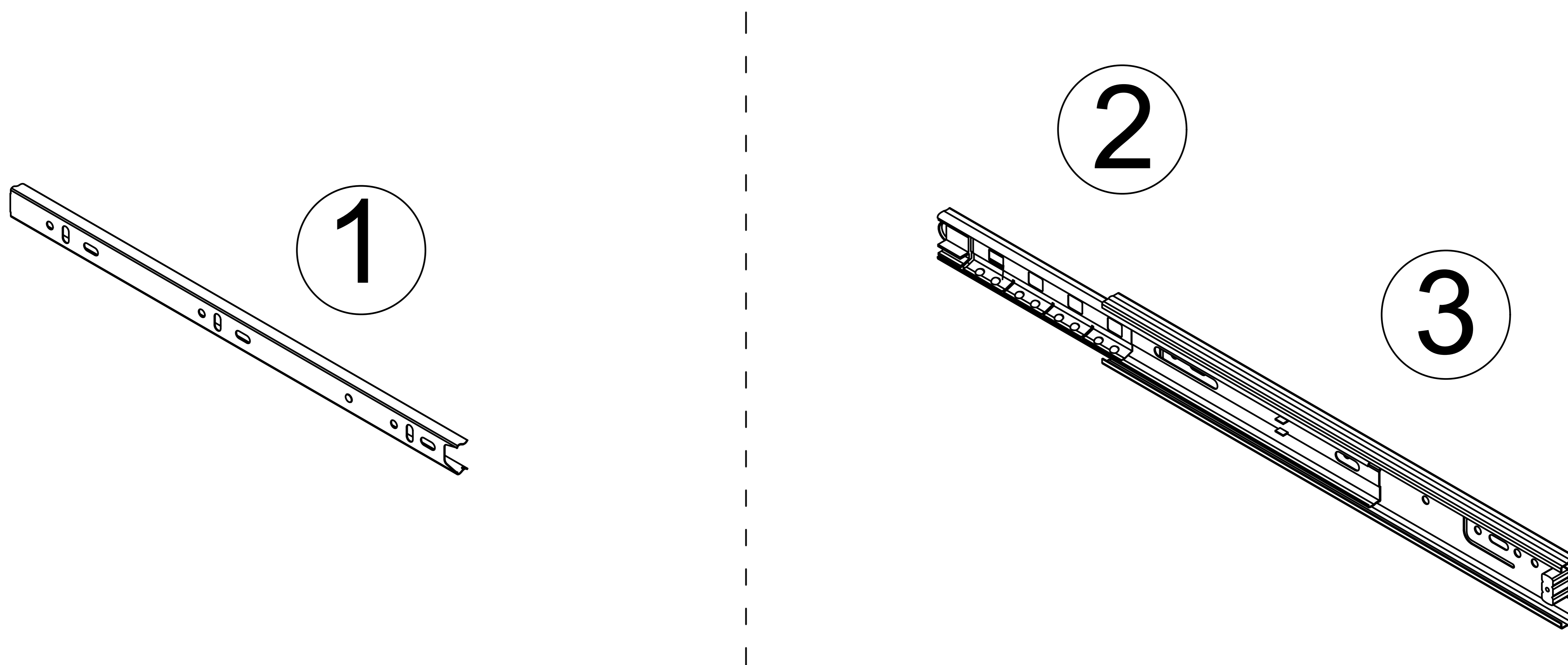
① Dismantle the schematic diagram

Step 1 : Pull the rails apart

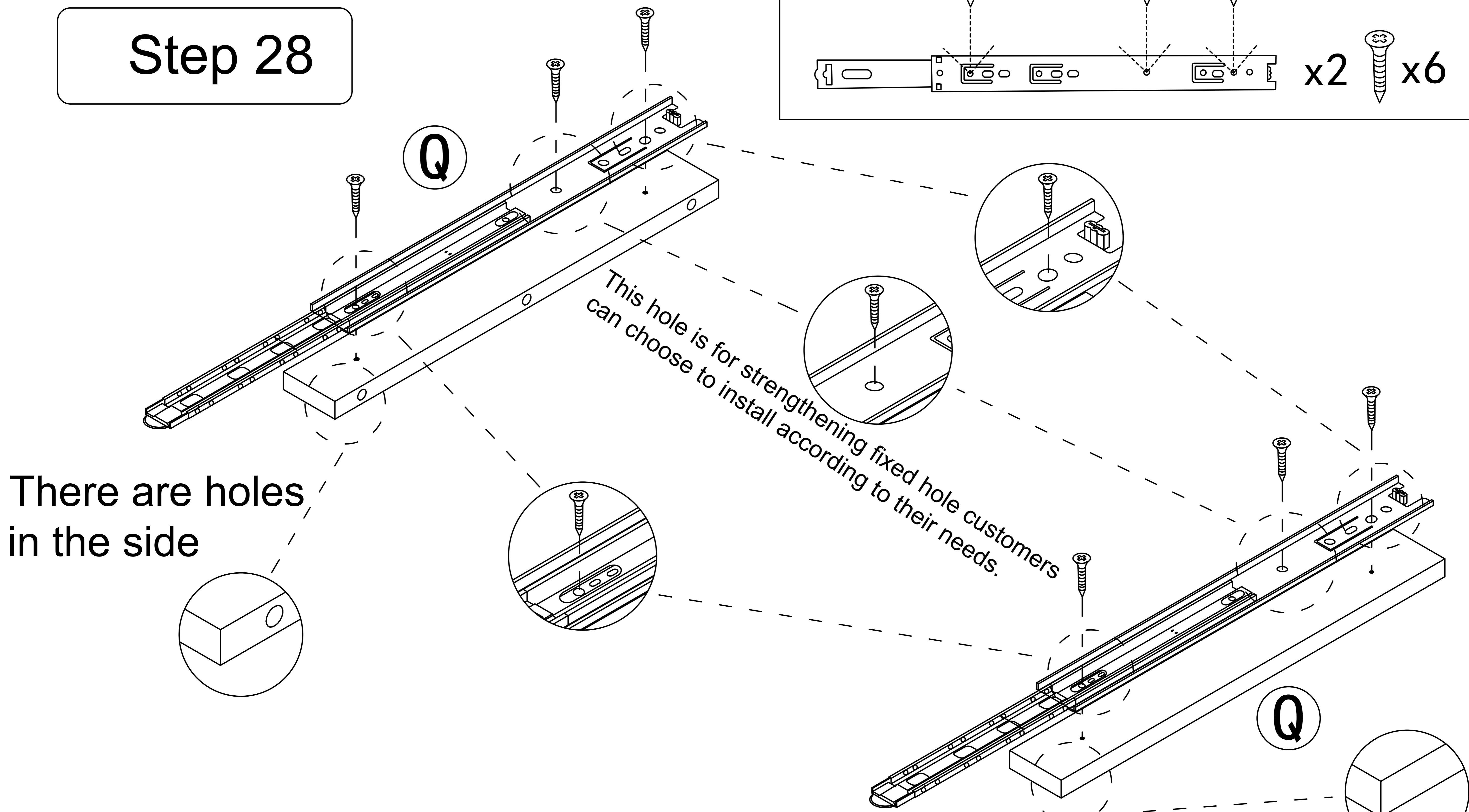
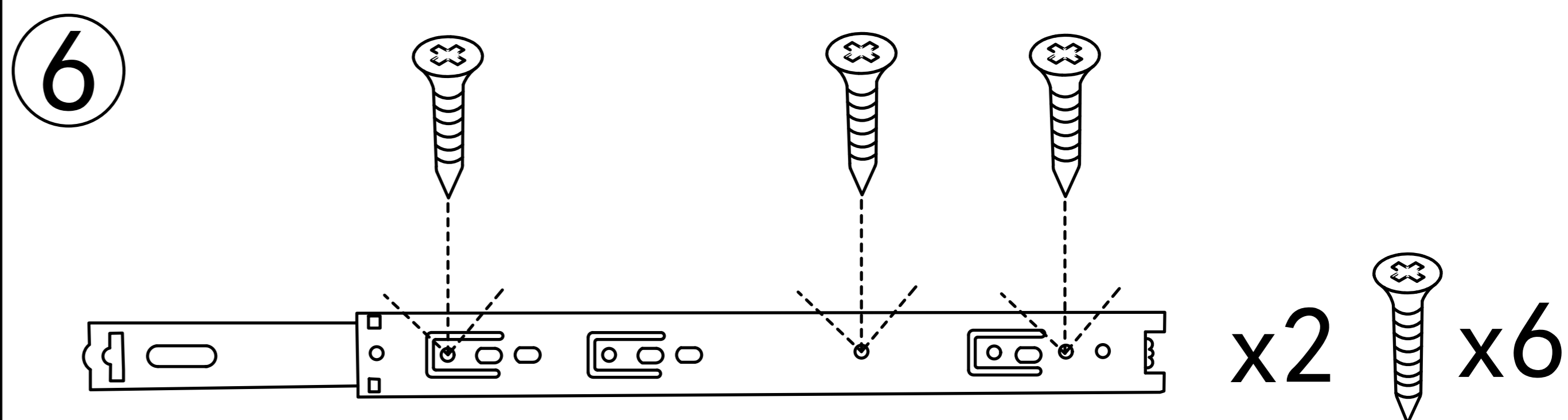


Step 2 : Press the nylon button and pull out ①.

Drawer rail decomposition completed schematic diagram



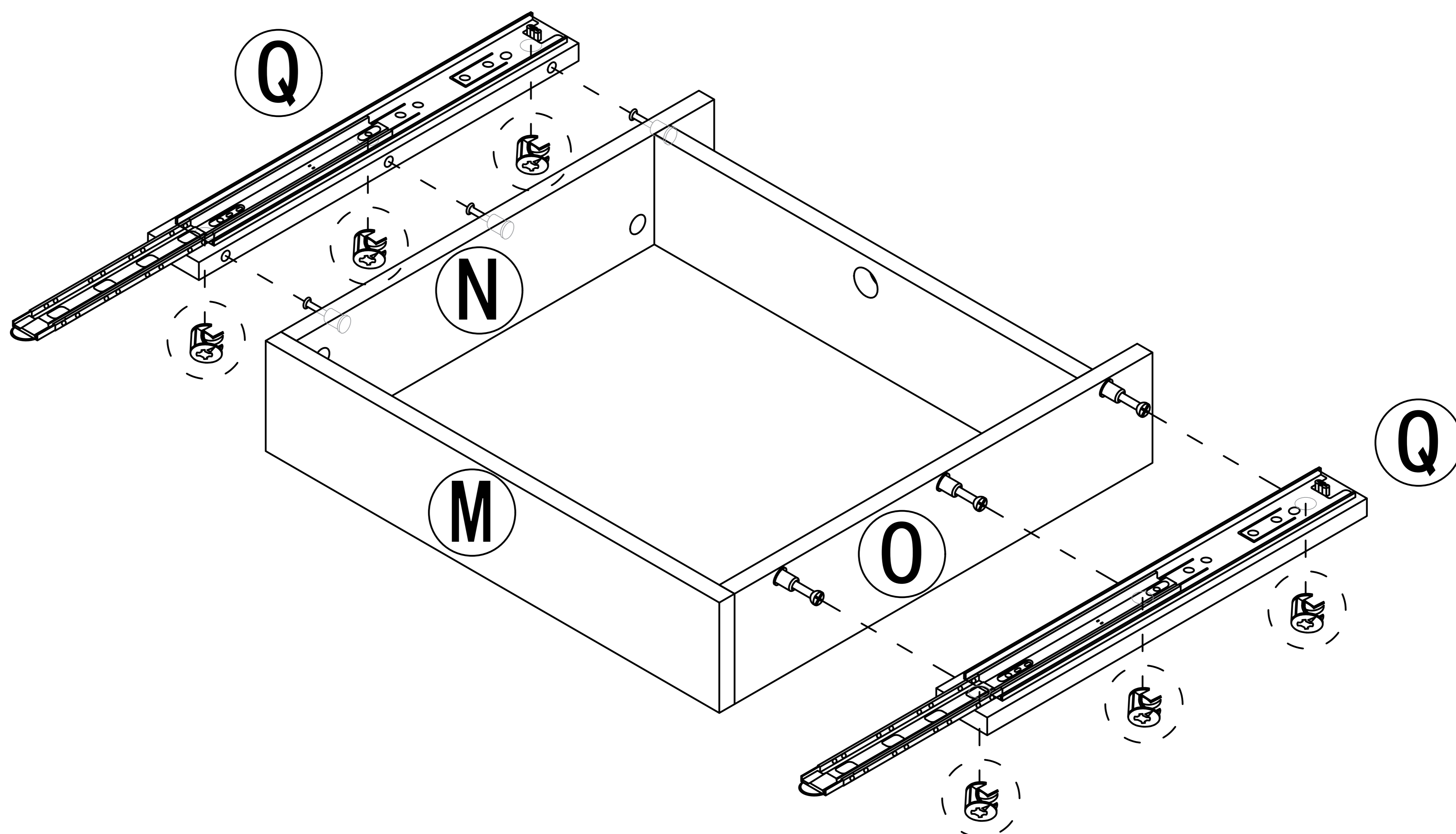
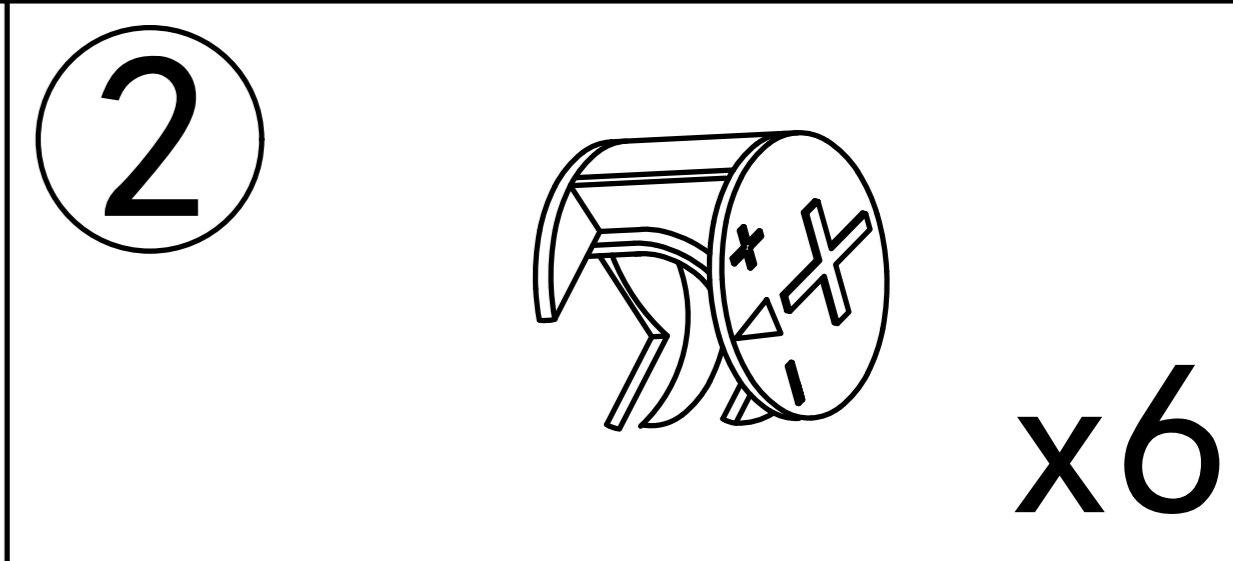
# Step 28



When installing, please pay attention to whether there are holes on the side of the plate to determine the installation direction of the guide rail.

There is no hole on the side

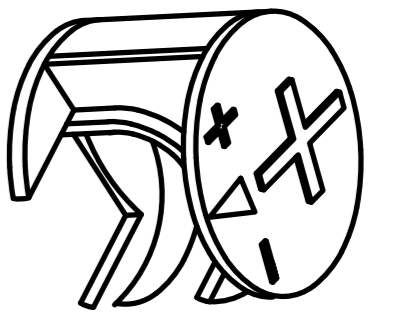
# Step 29



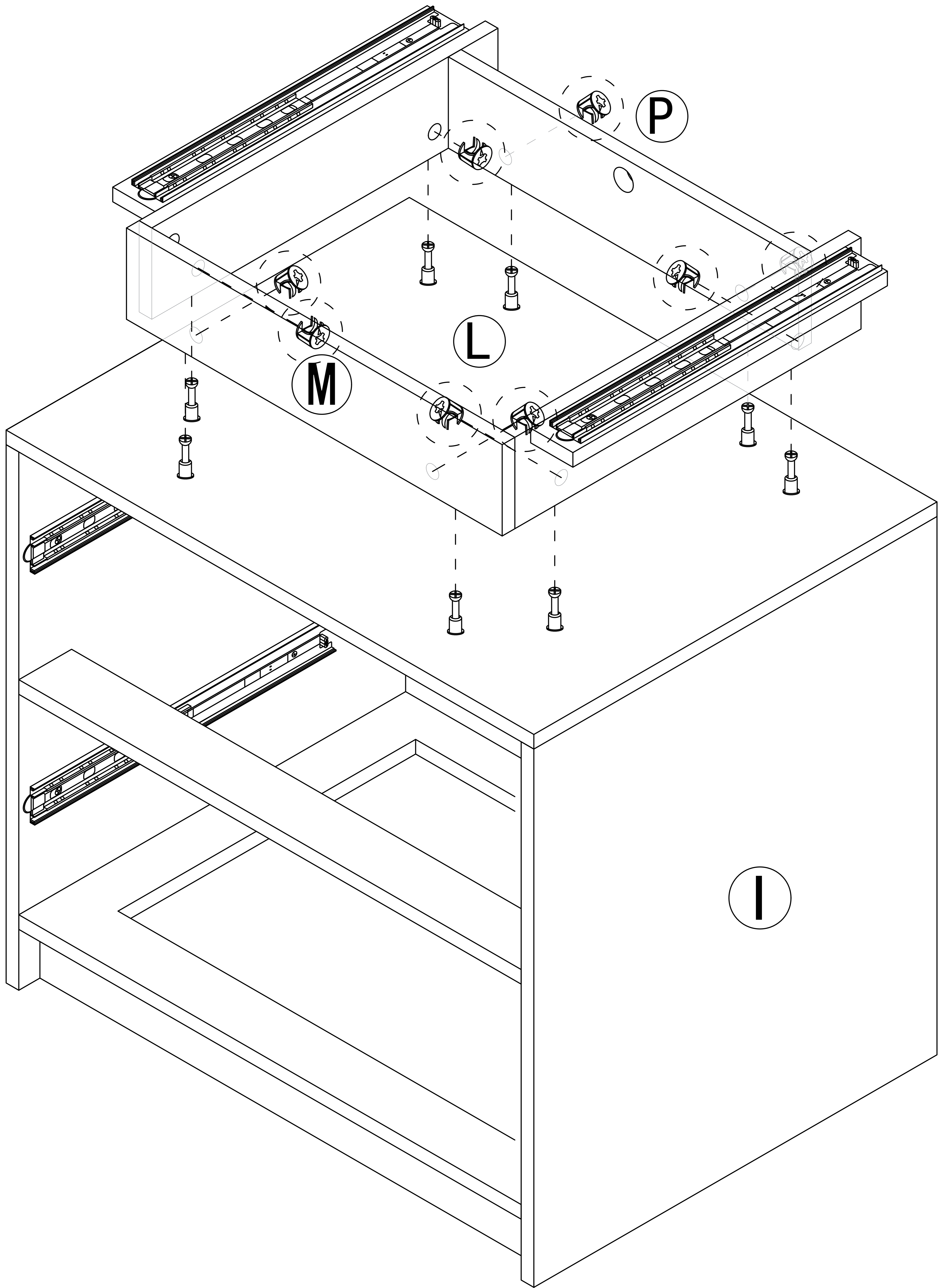
Note: the direction in which the guide rail extends is toward the M board.

Step 30

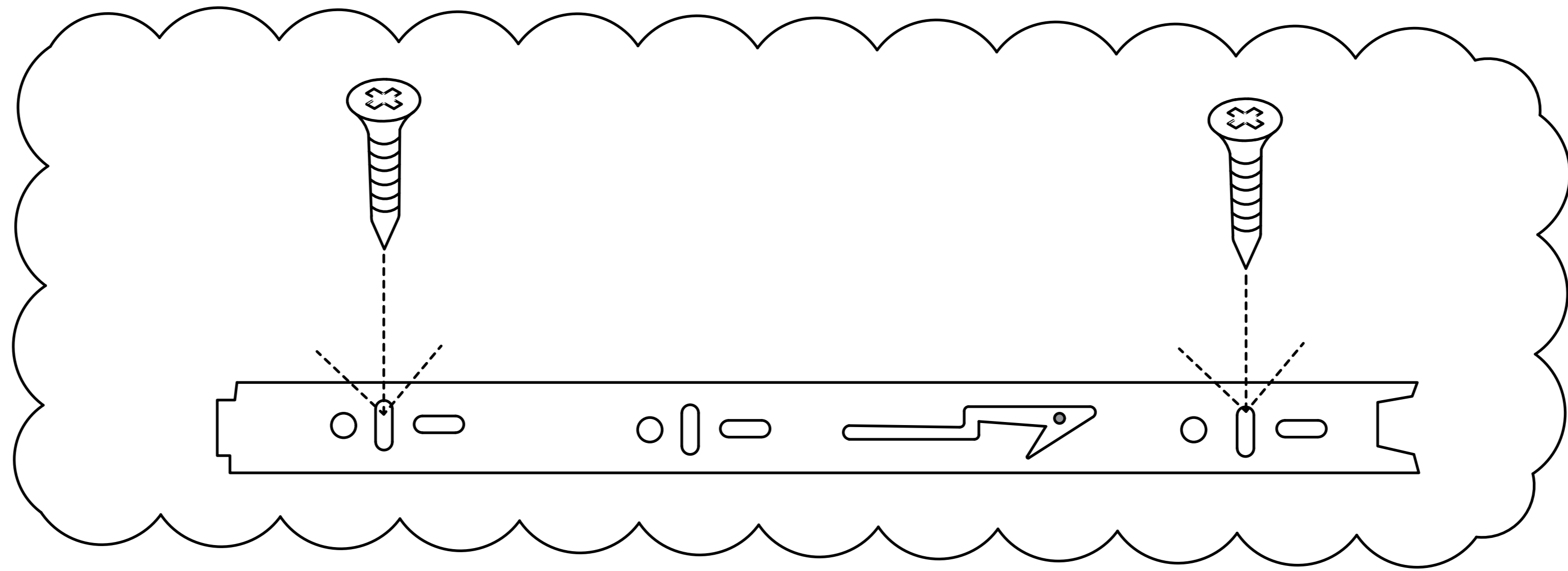
2


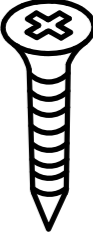


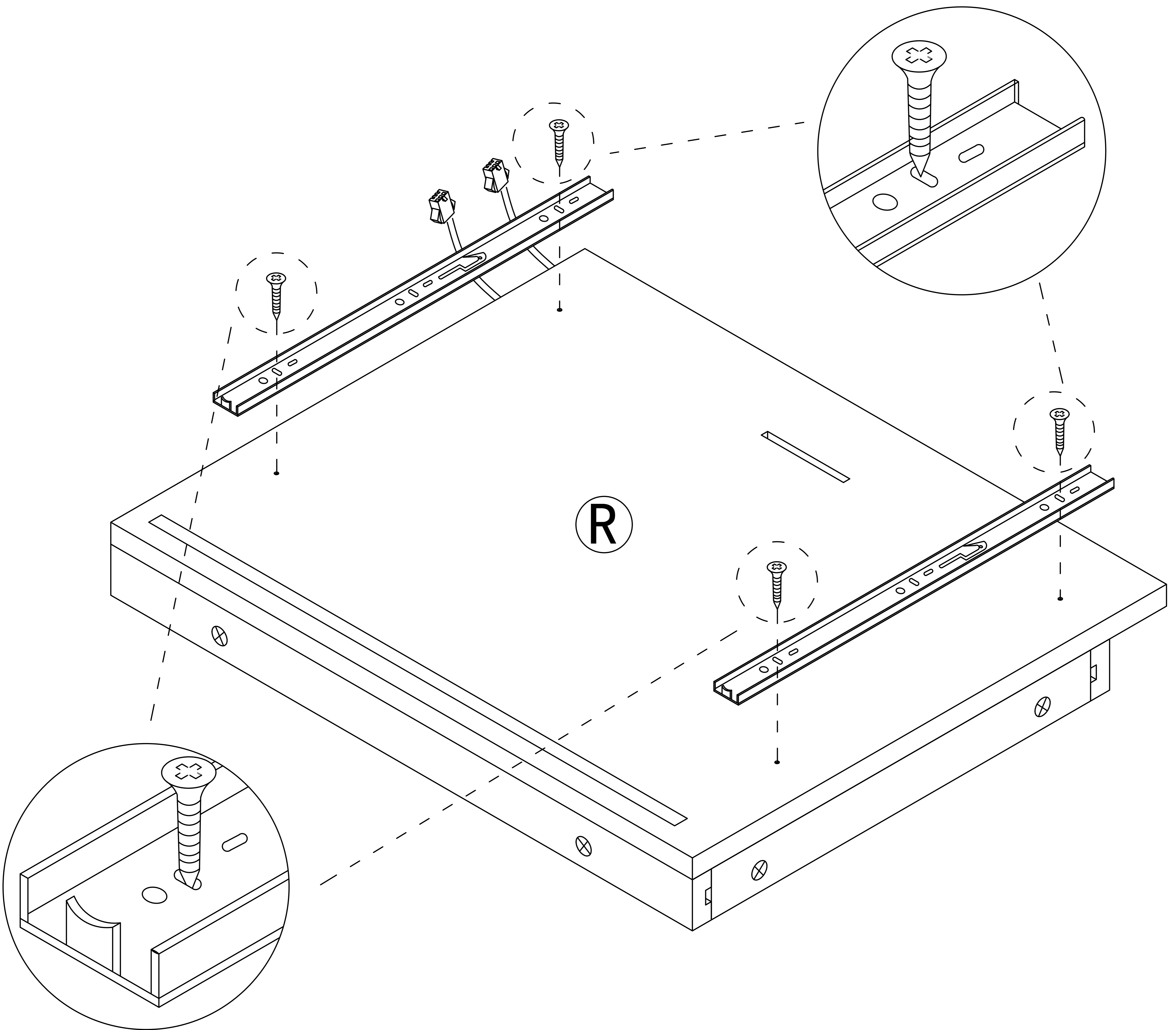
x8



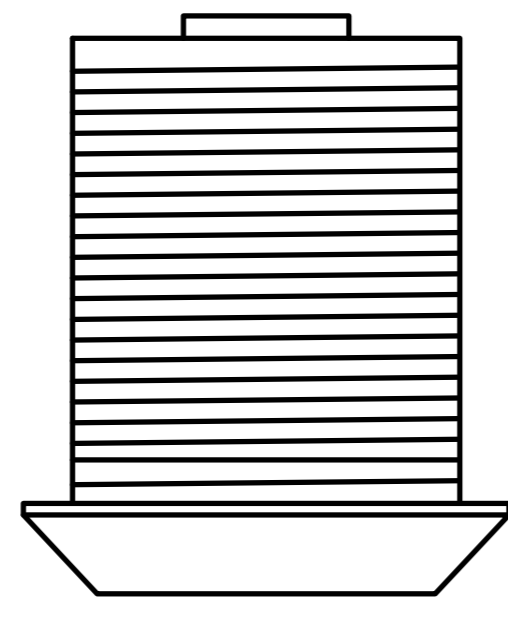
Step 31



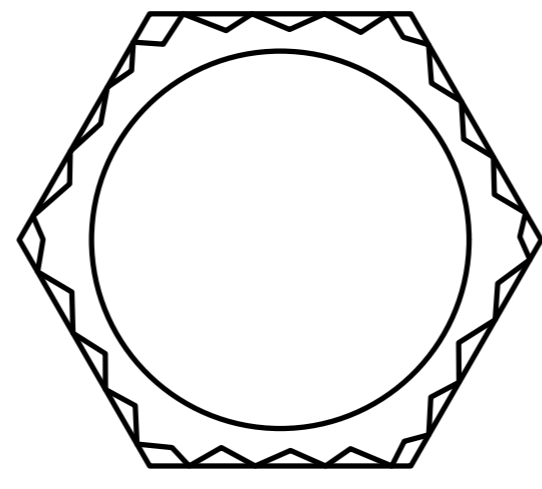
- 6
-  x2
  -  x4



# The decomposition of the lock



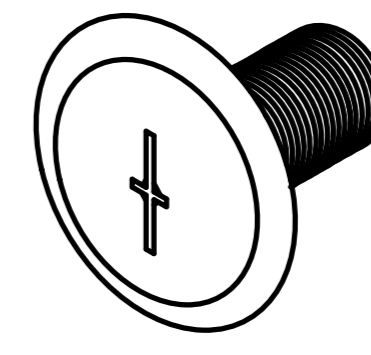
①



②



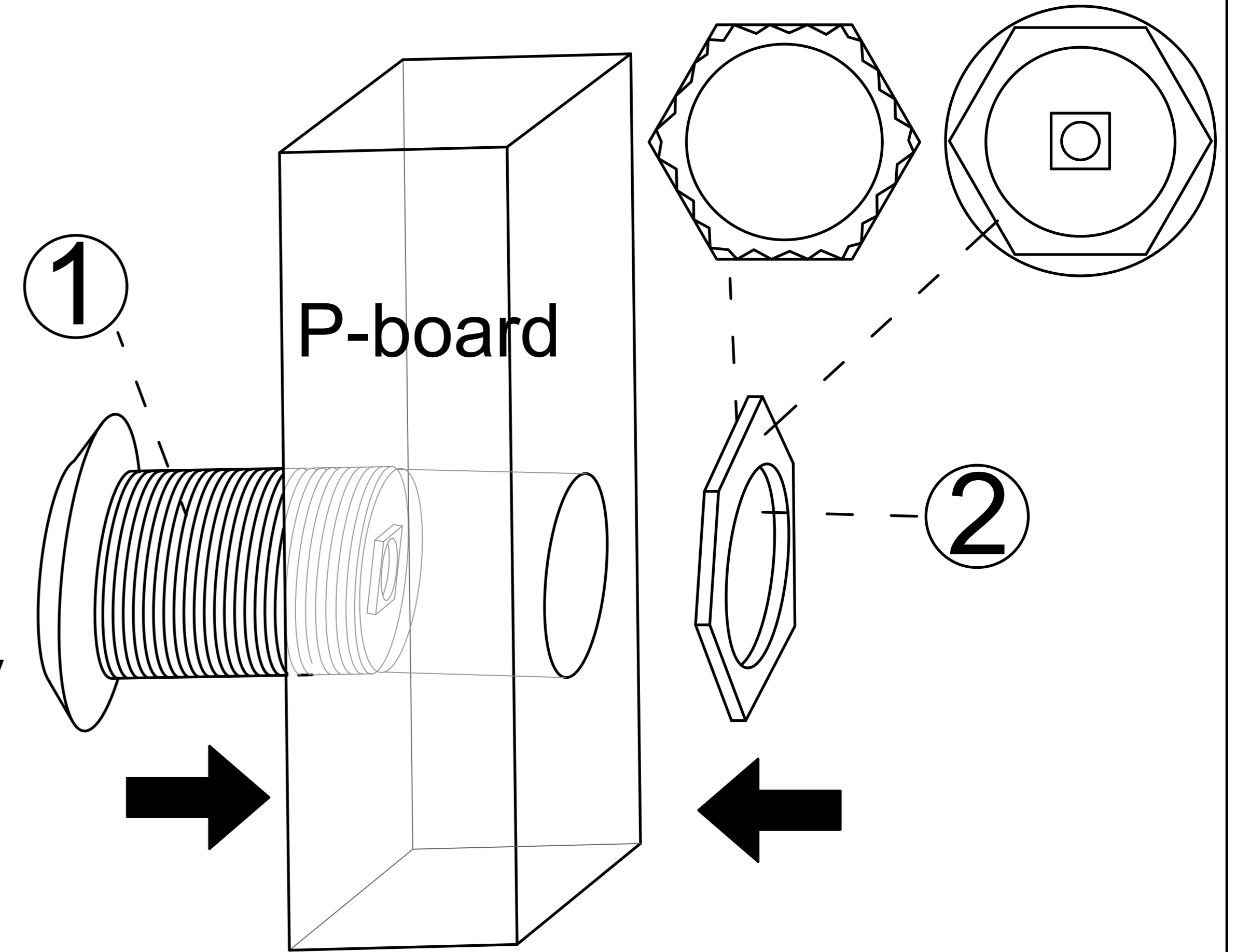
③



④

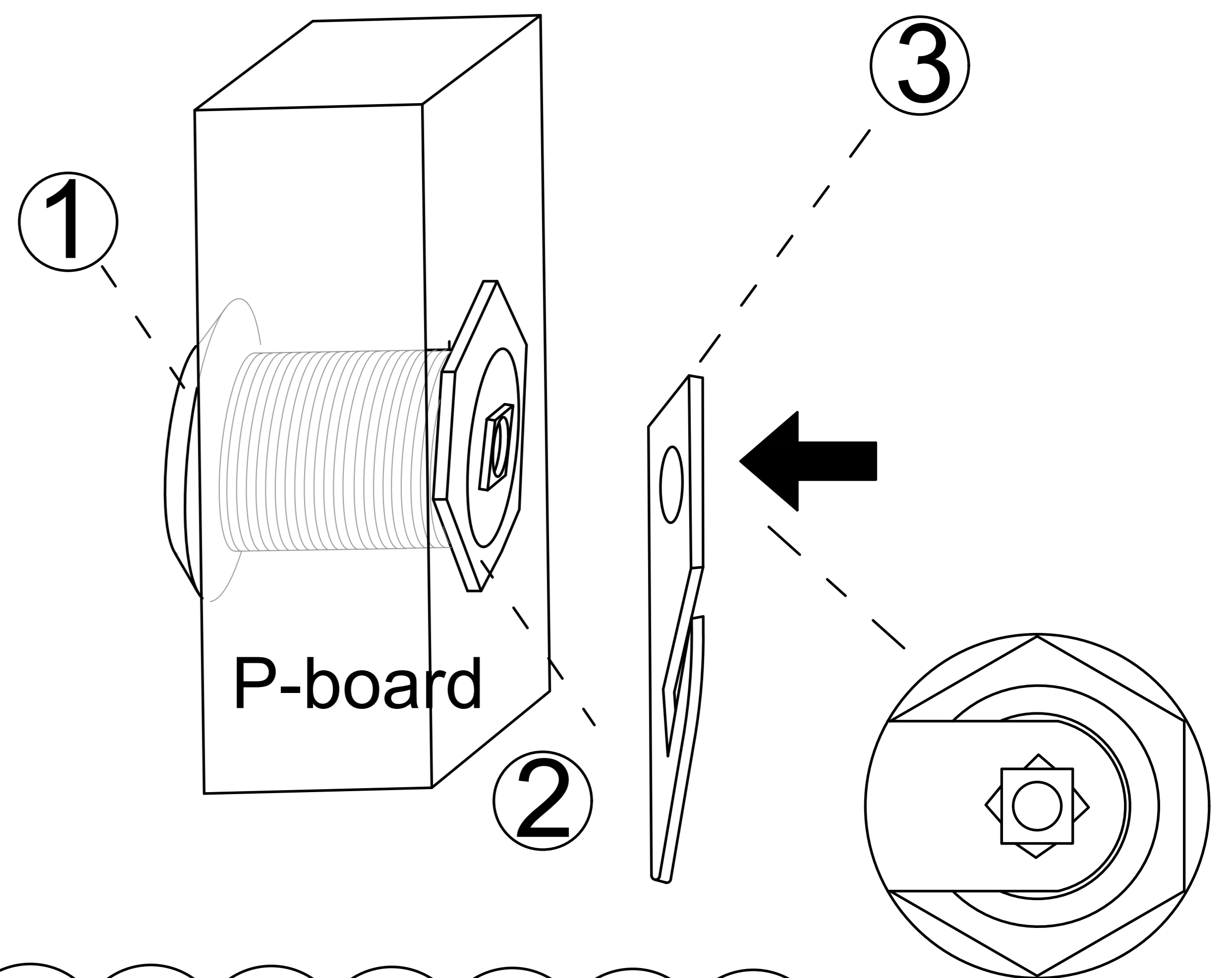
## Step 1

1. Facing the direction of the keyhole position with the teeth, clamp the wooden board tightly
2. Insert part 1 into the hole of the P plate first, and then lock the hex nut

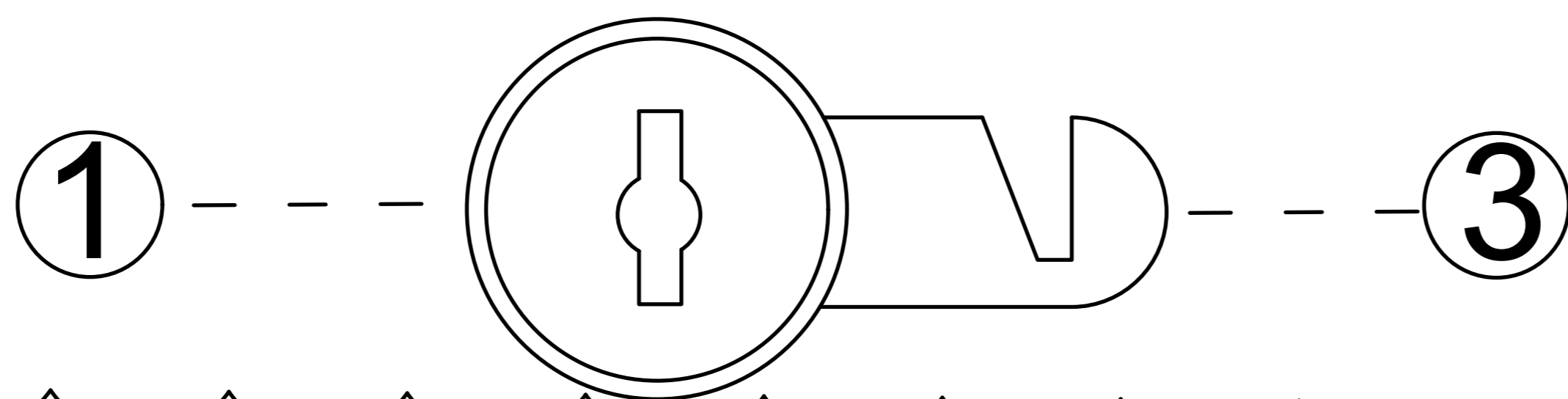


## Step 2

1. Clip part 3 into the tail of part 1

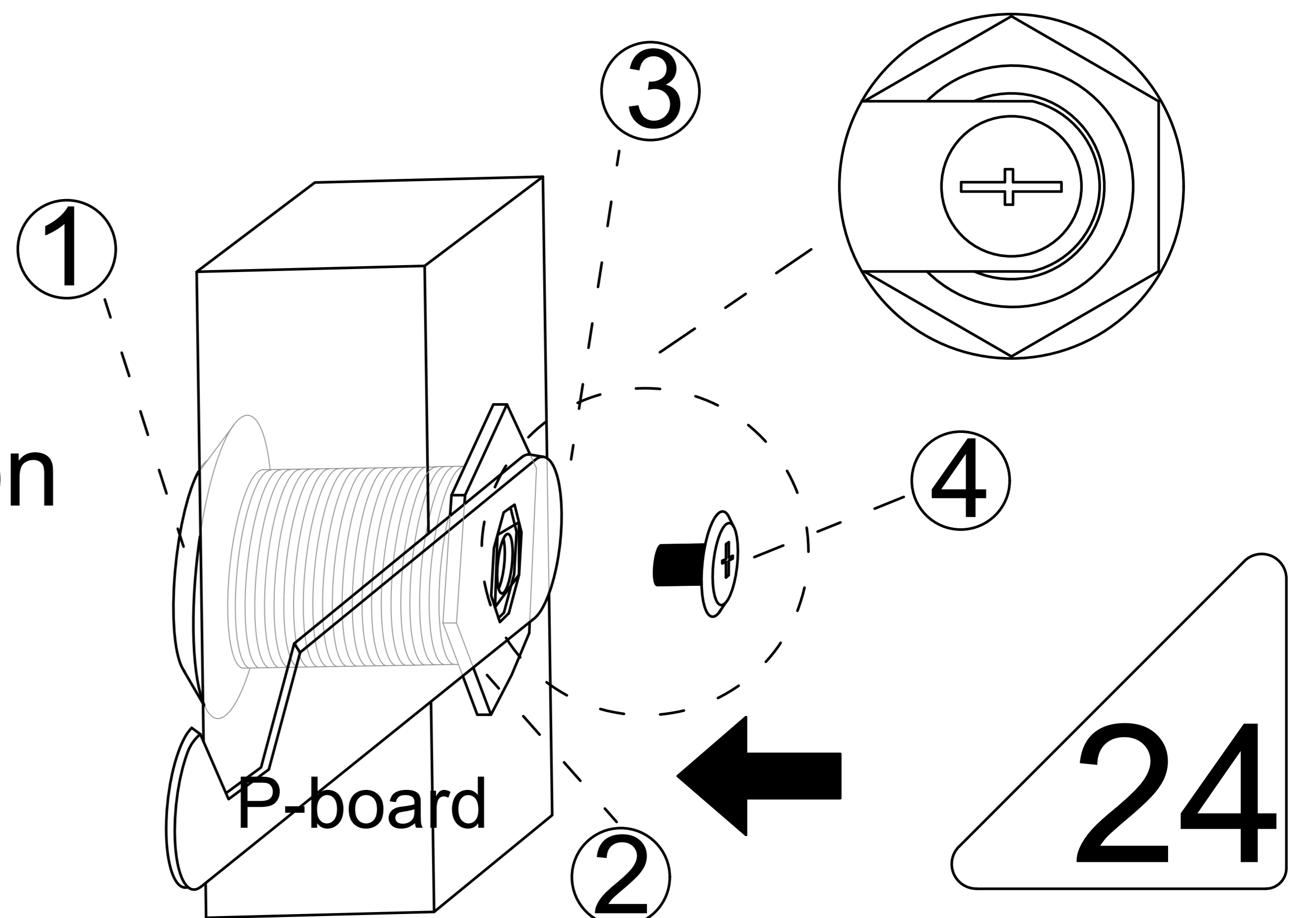


The installation is completed as shown in the figure

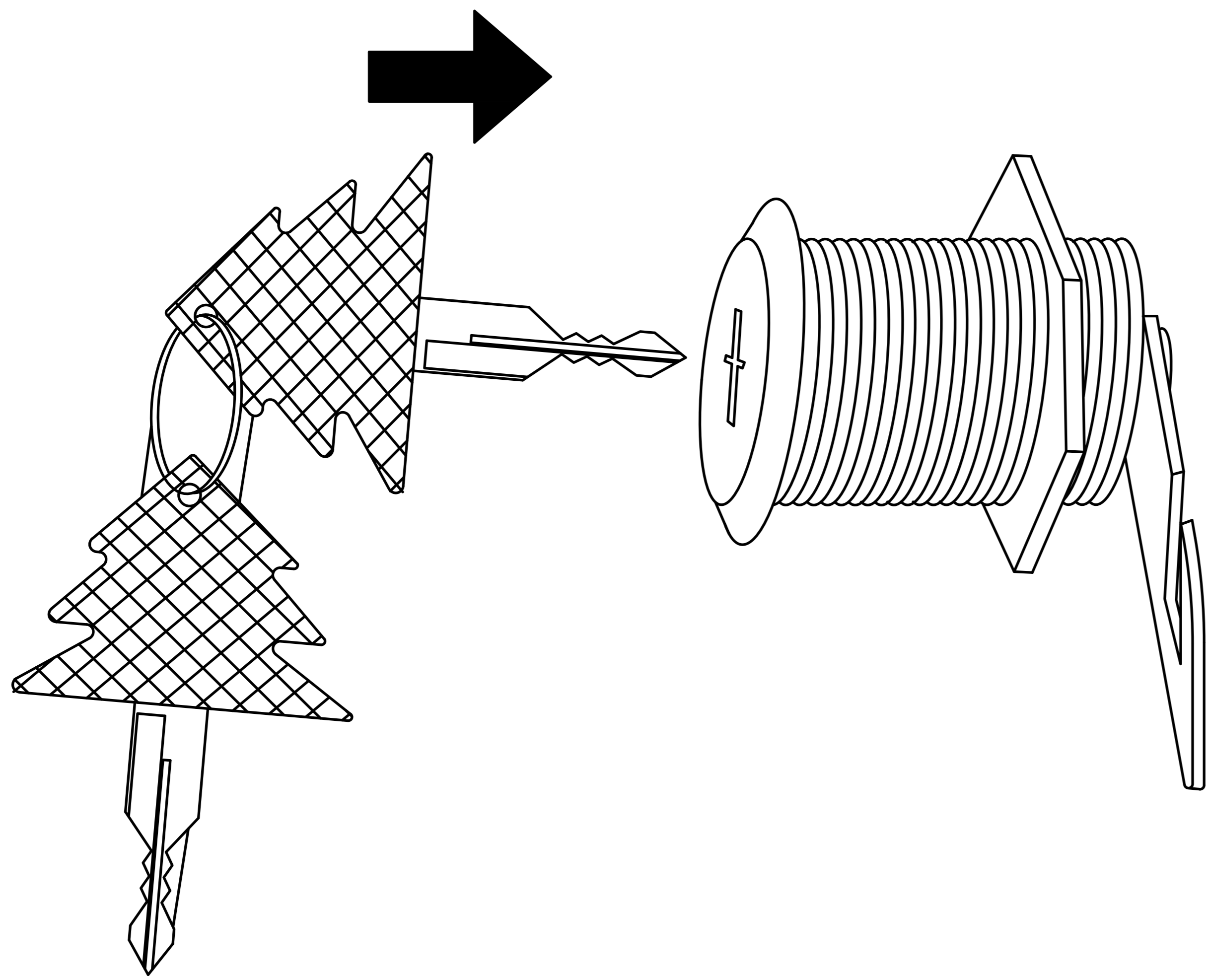


## Step 3

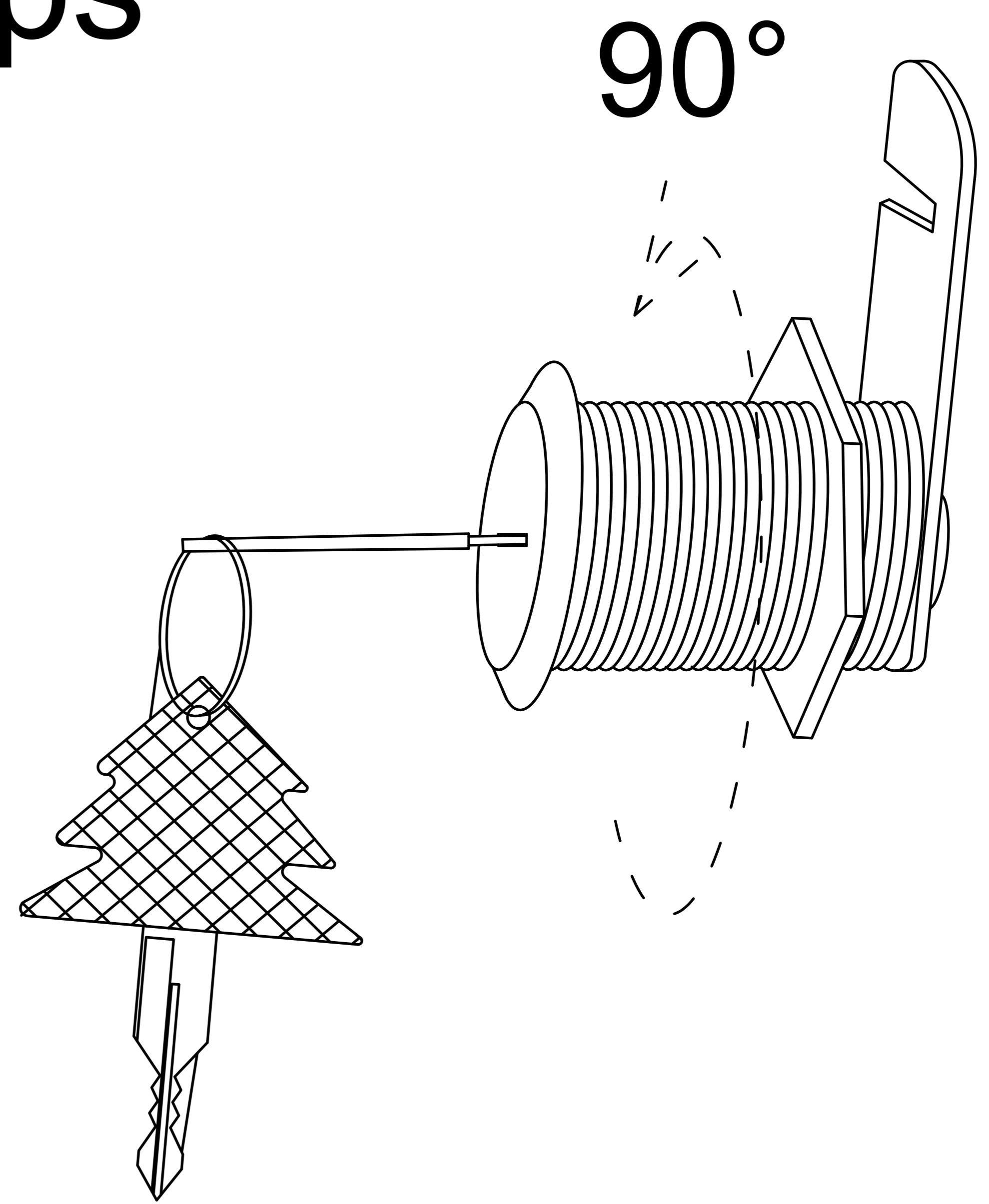
1. Twist screw 4 into the hole position at the tail of 1



# Lock steps

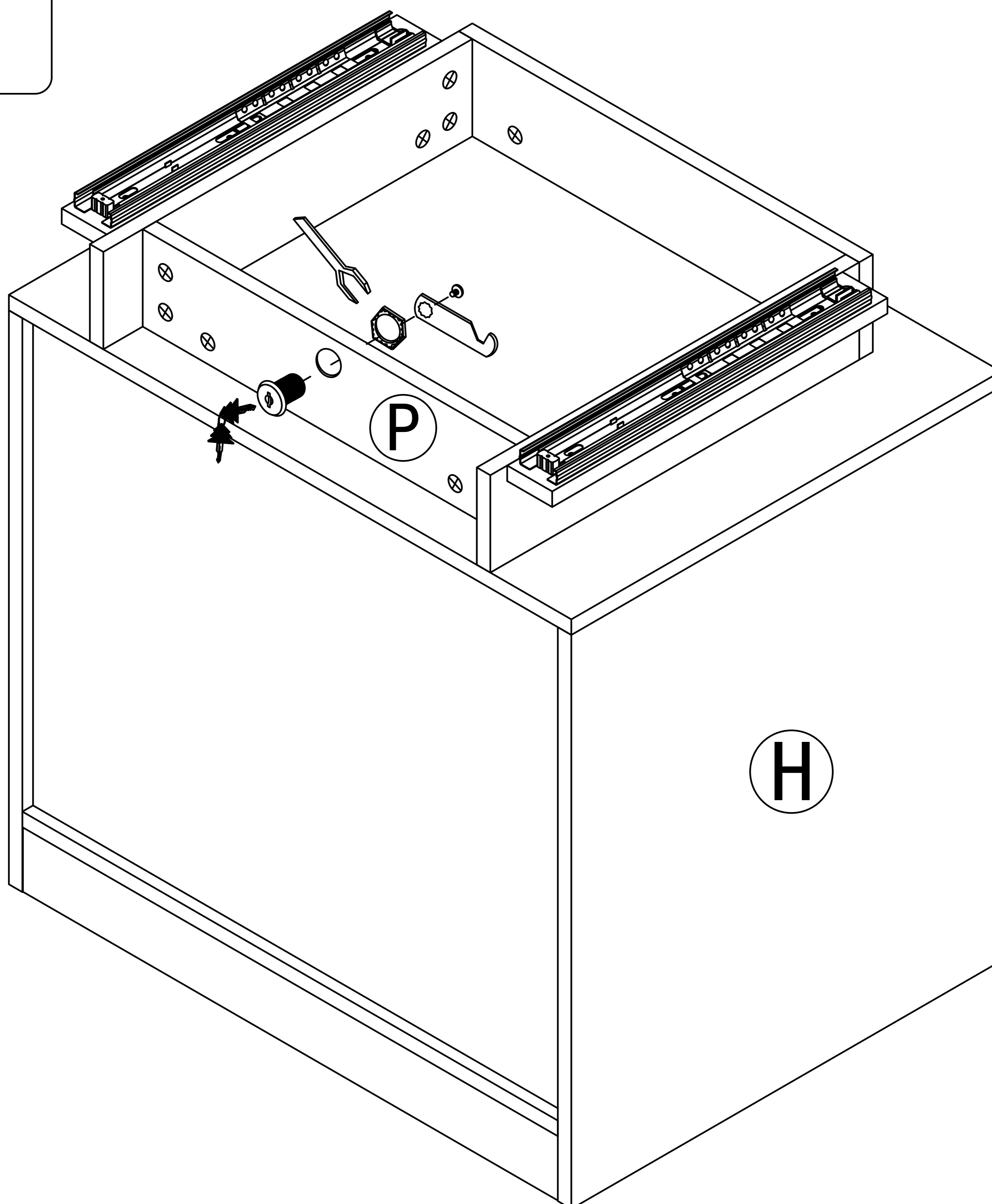


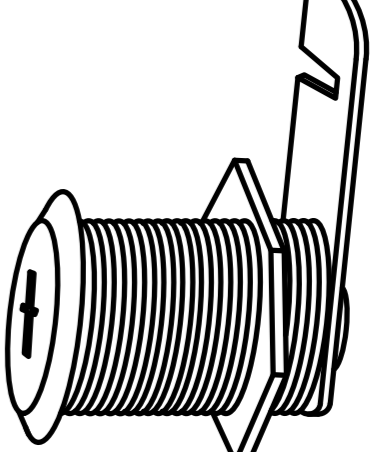
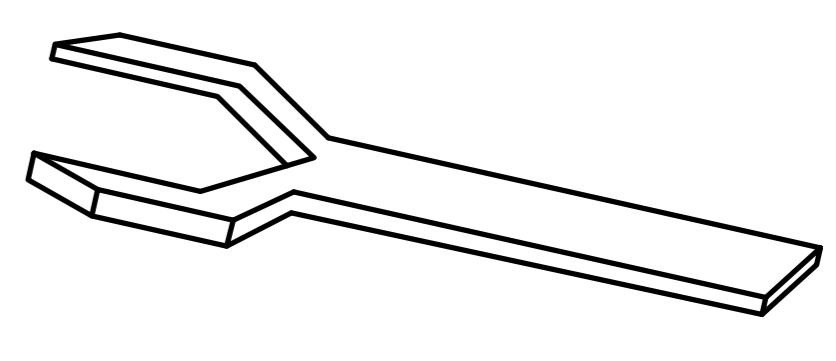
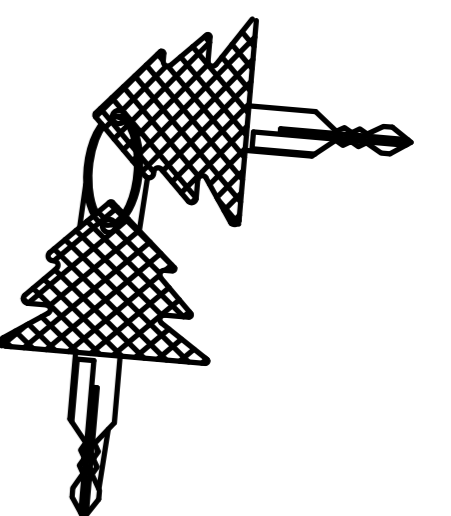
Unlock



lock

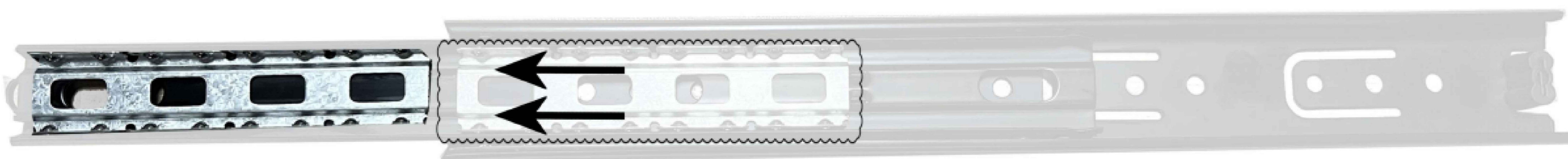
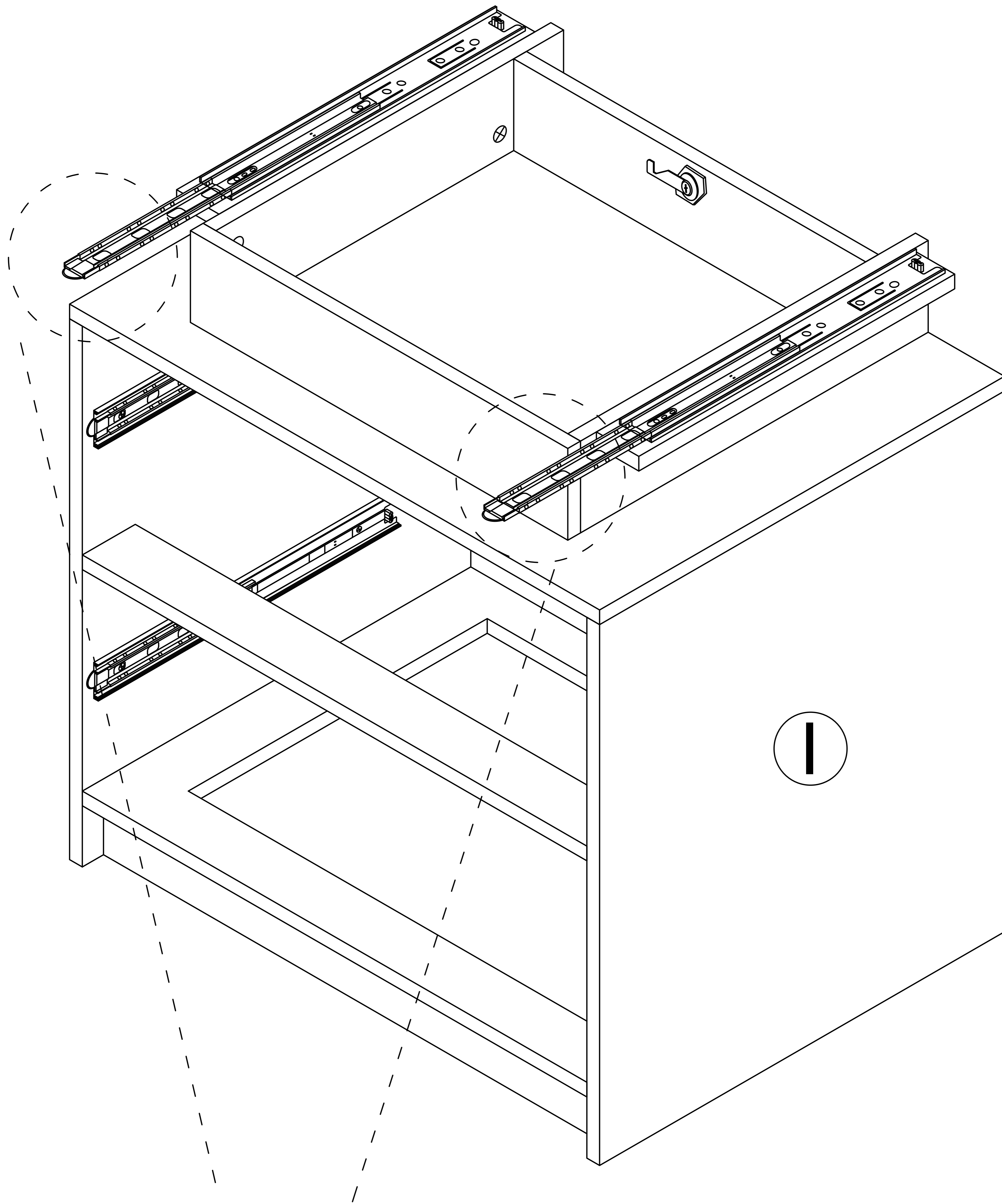
Step 32



- ⑦  x1
-  x1
-  x1

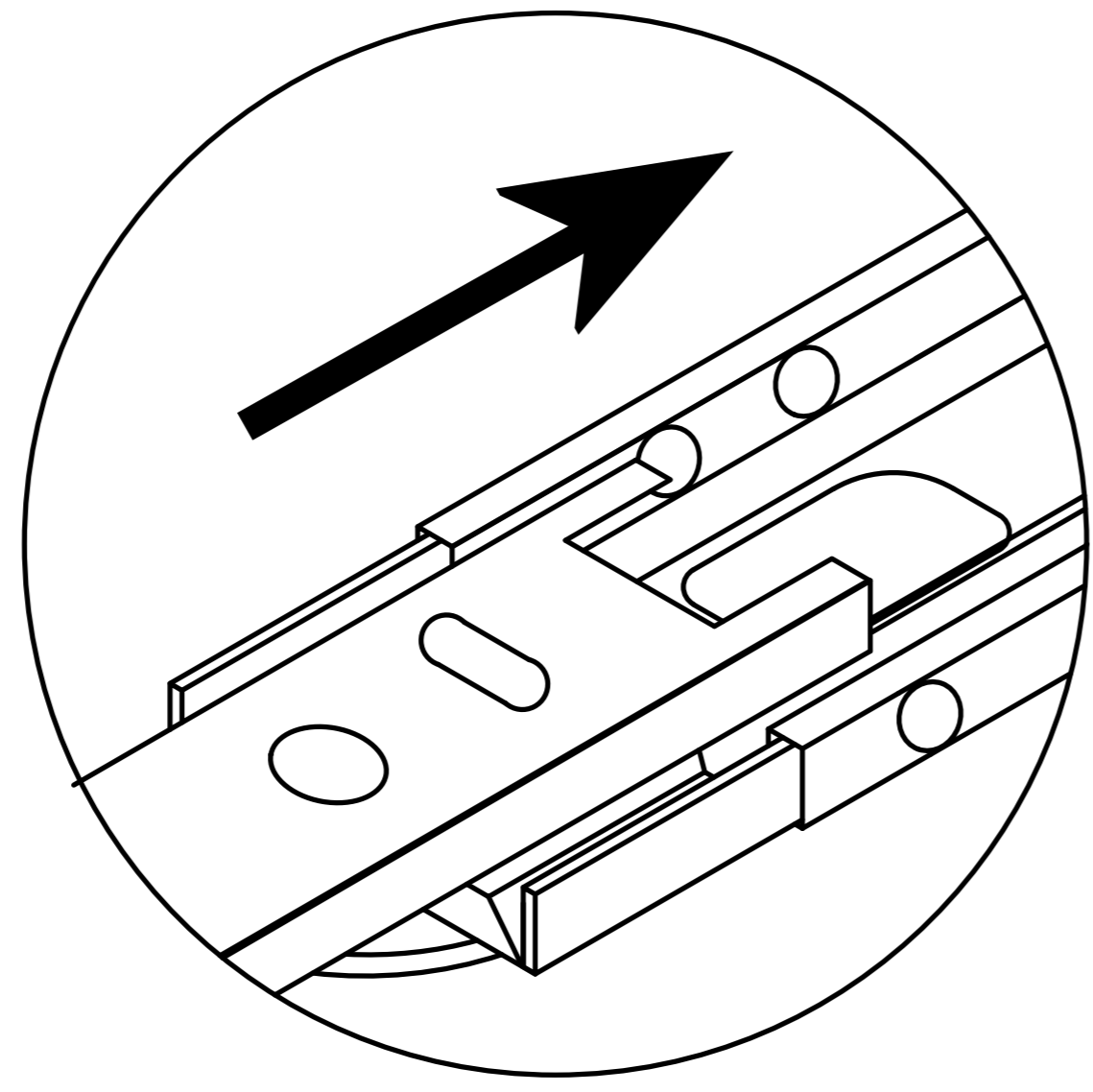
Lock the hex nut with a wrench

## Step 33

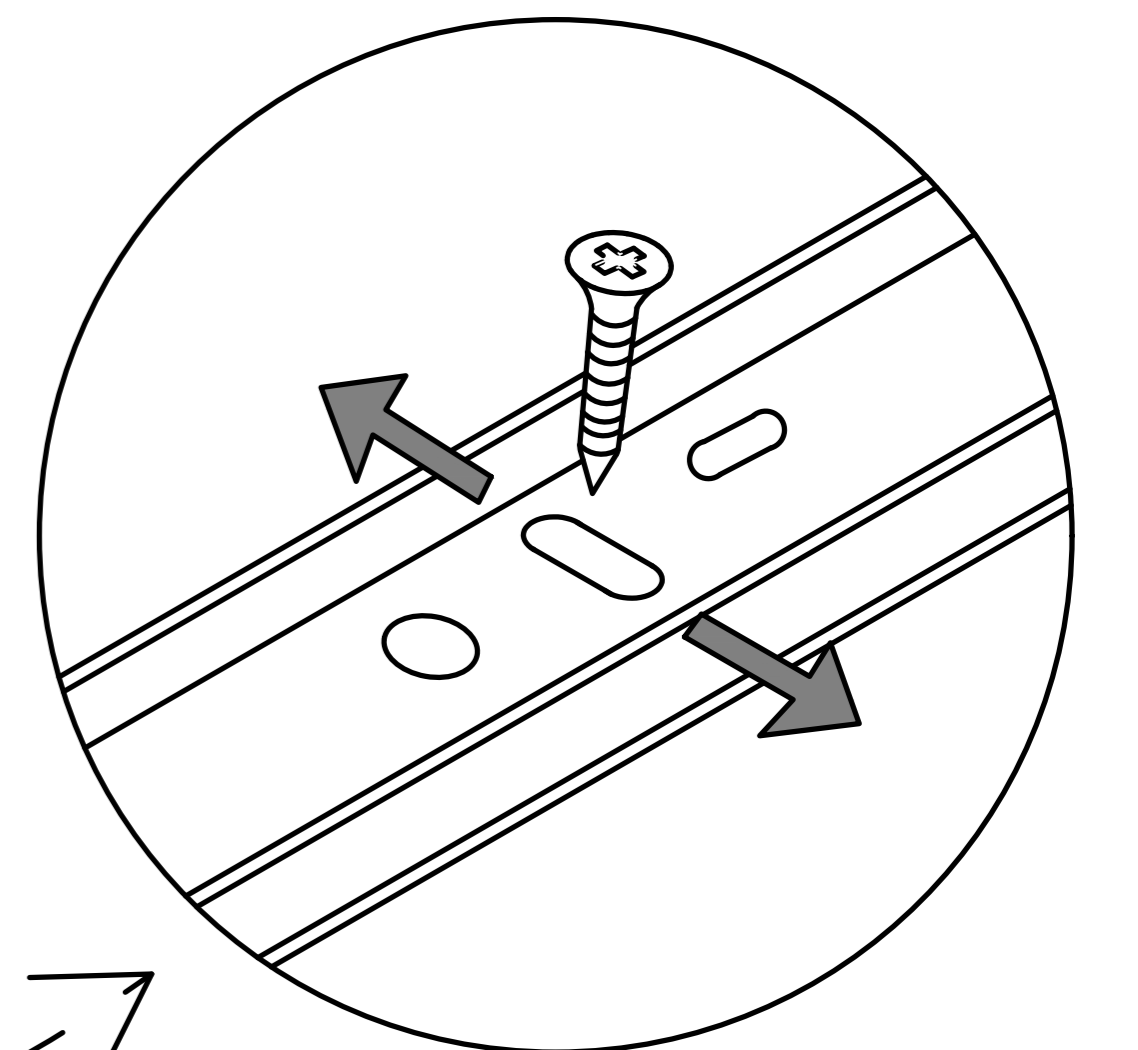
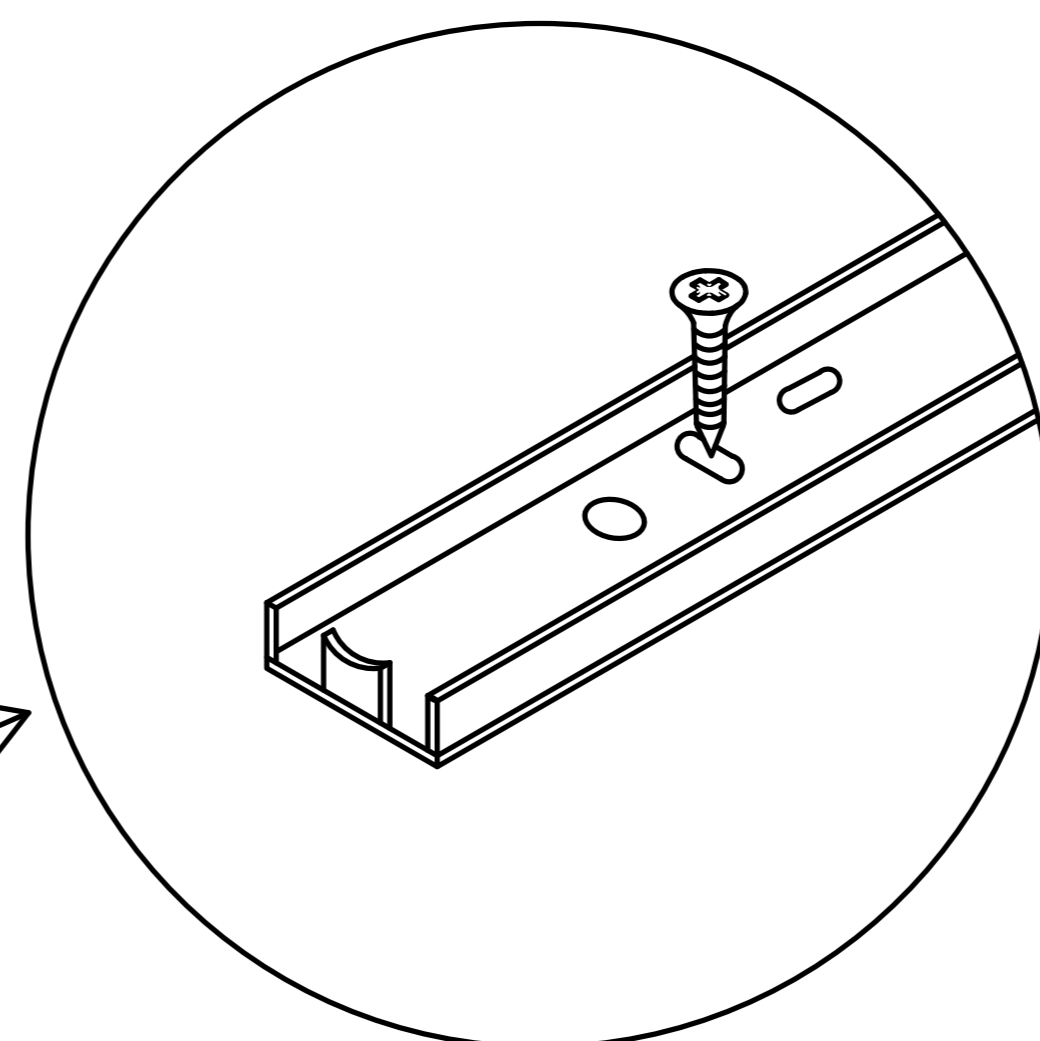
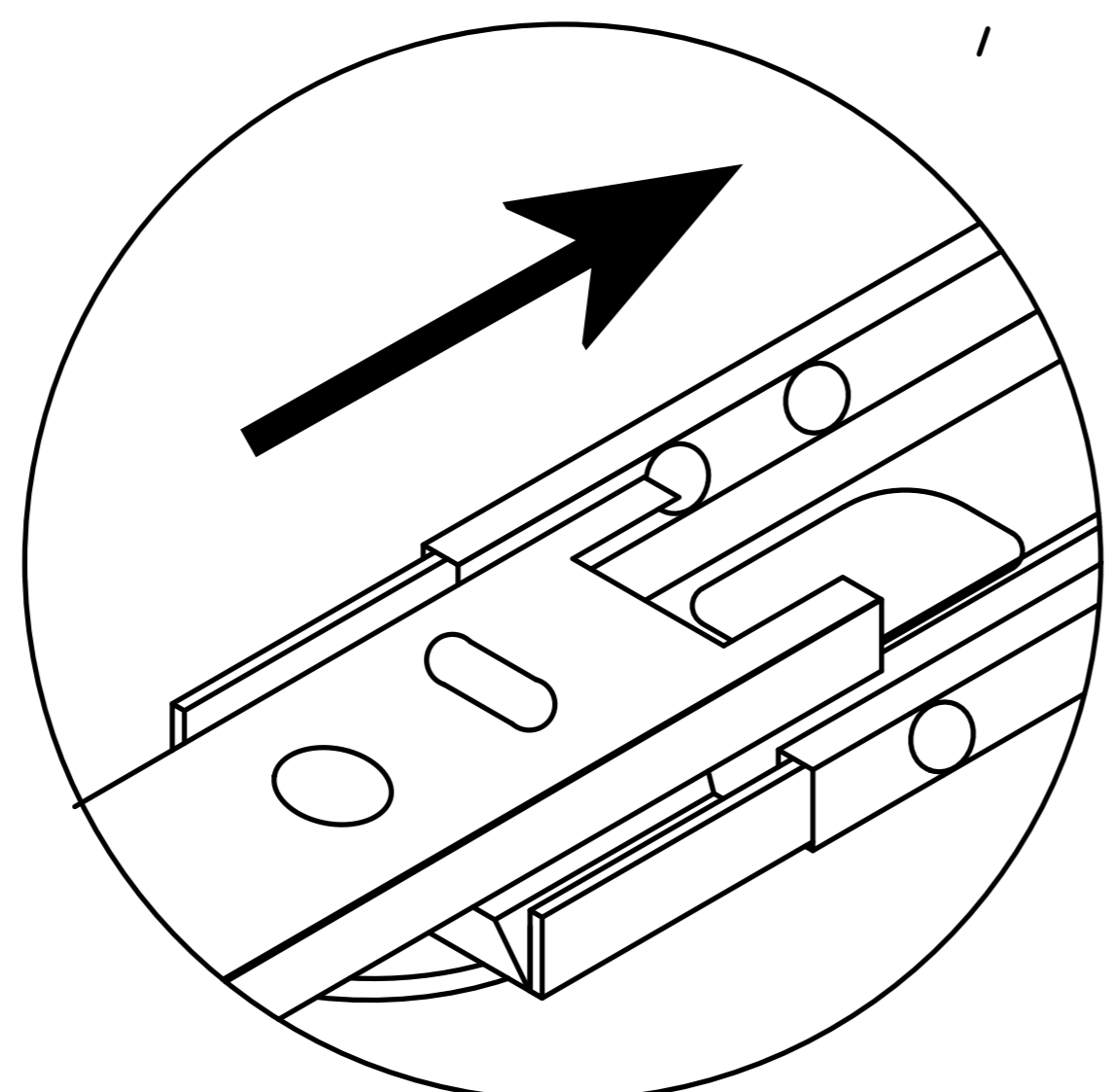
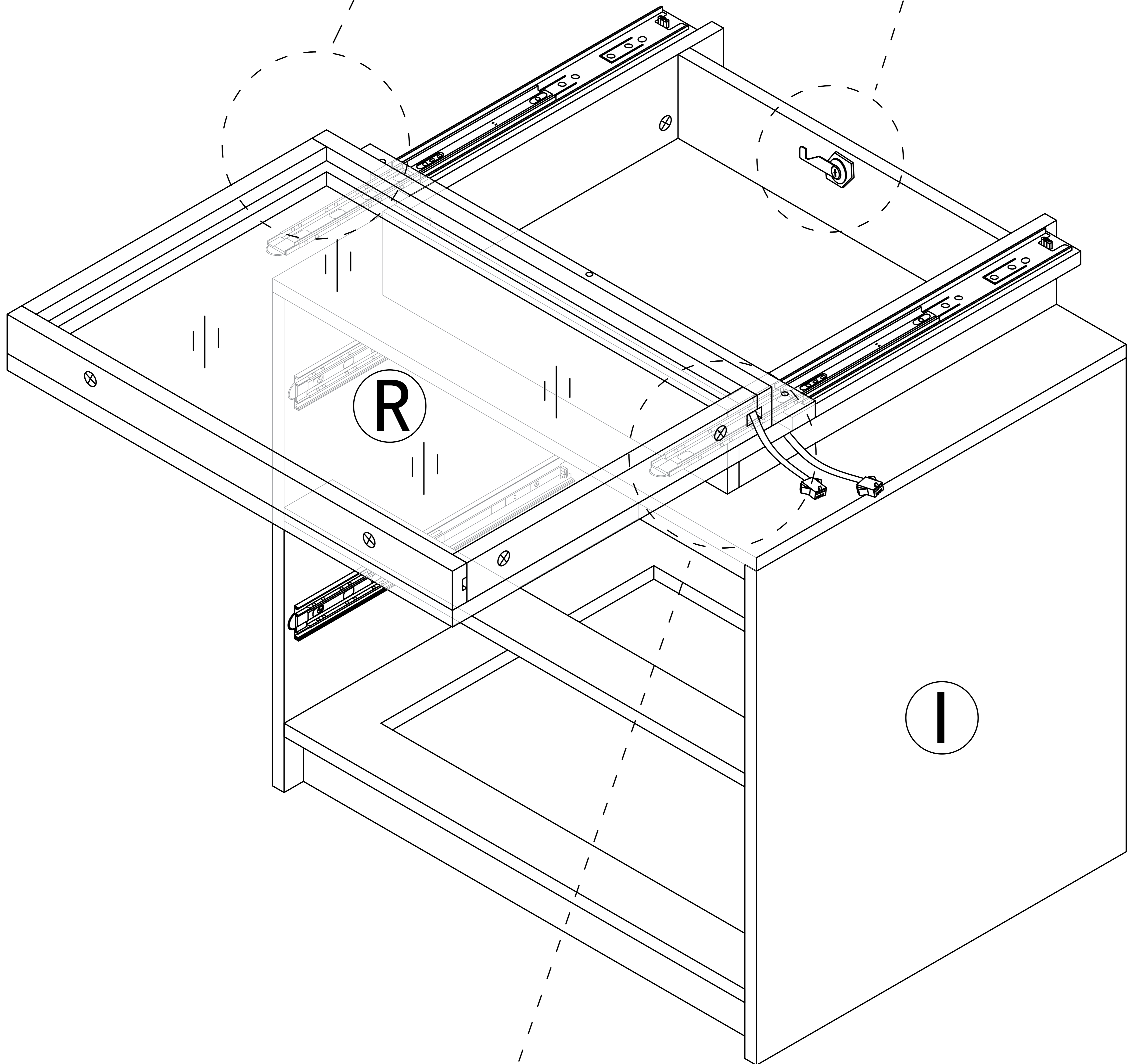


As shown, When installing the drawer,  
pull the guide rail out first, Slide beads are also pulled out.

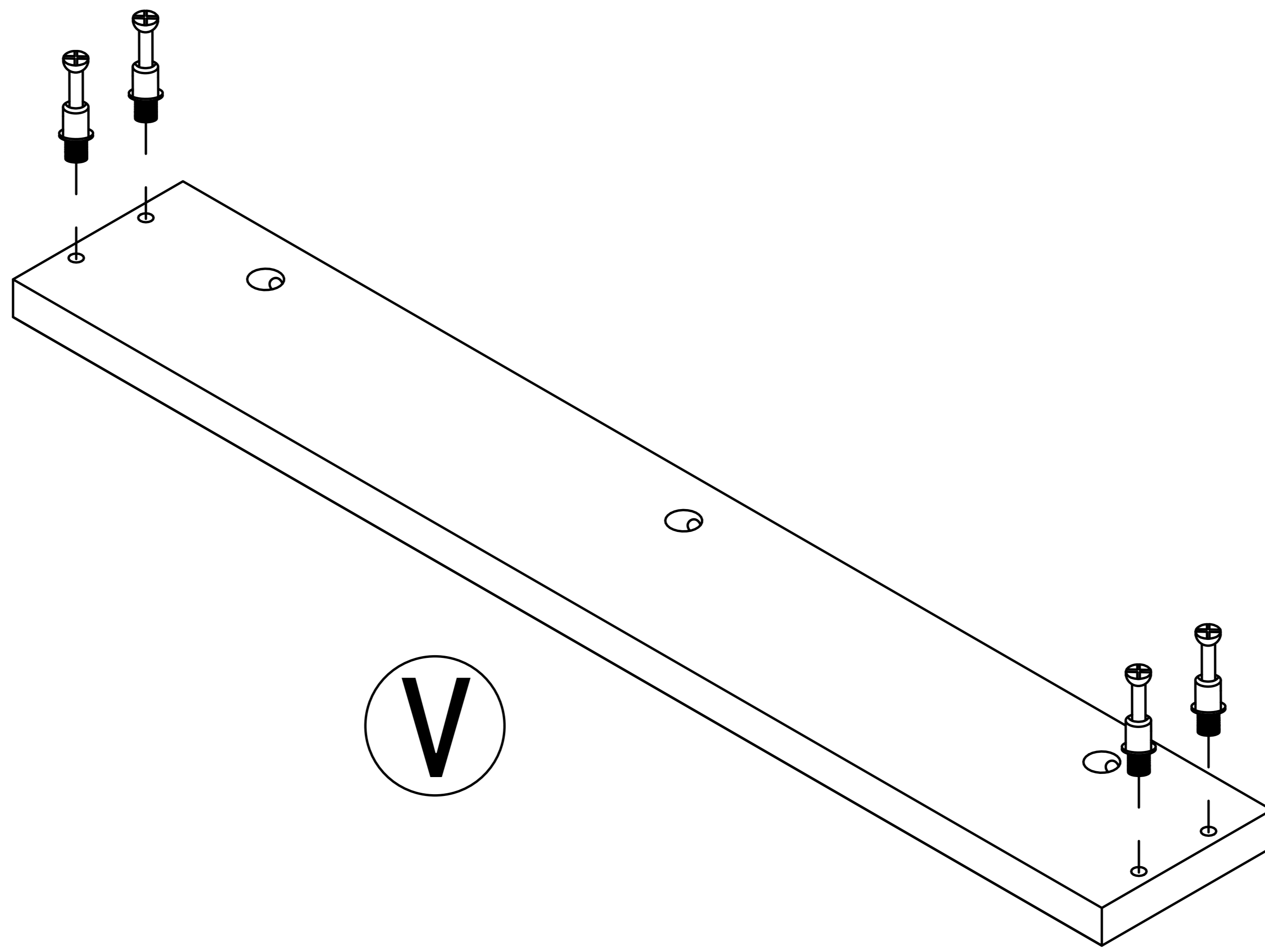
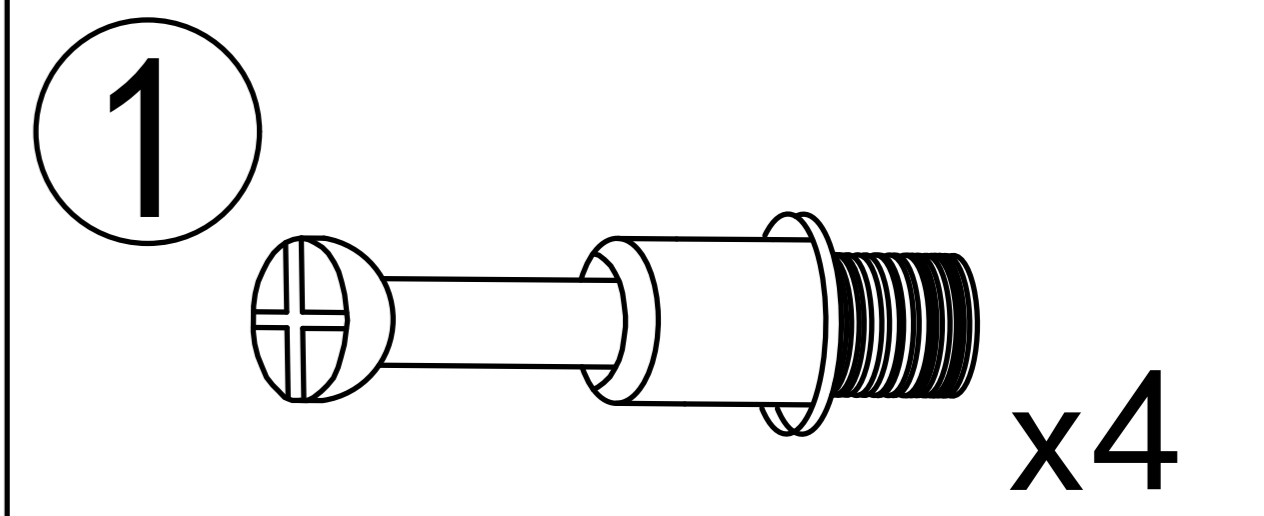
Step 34



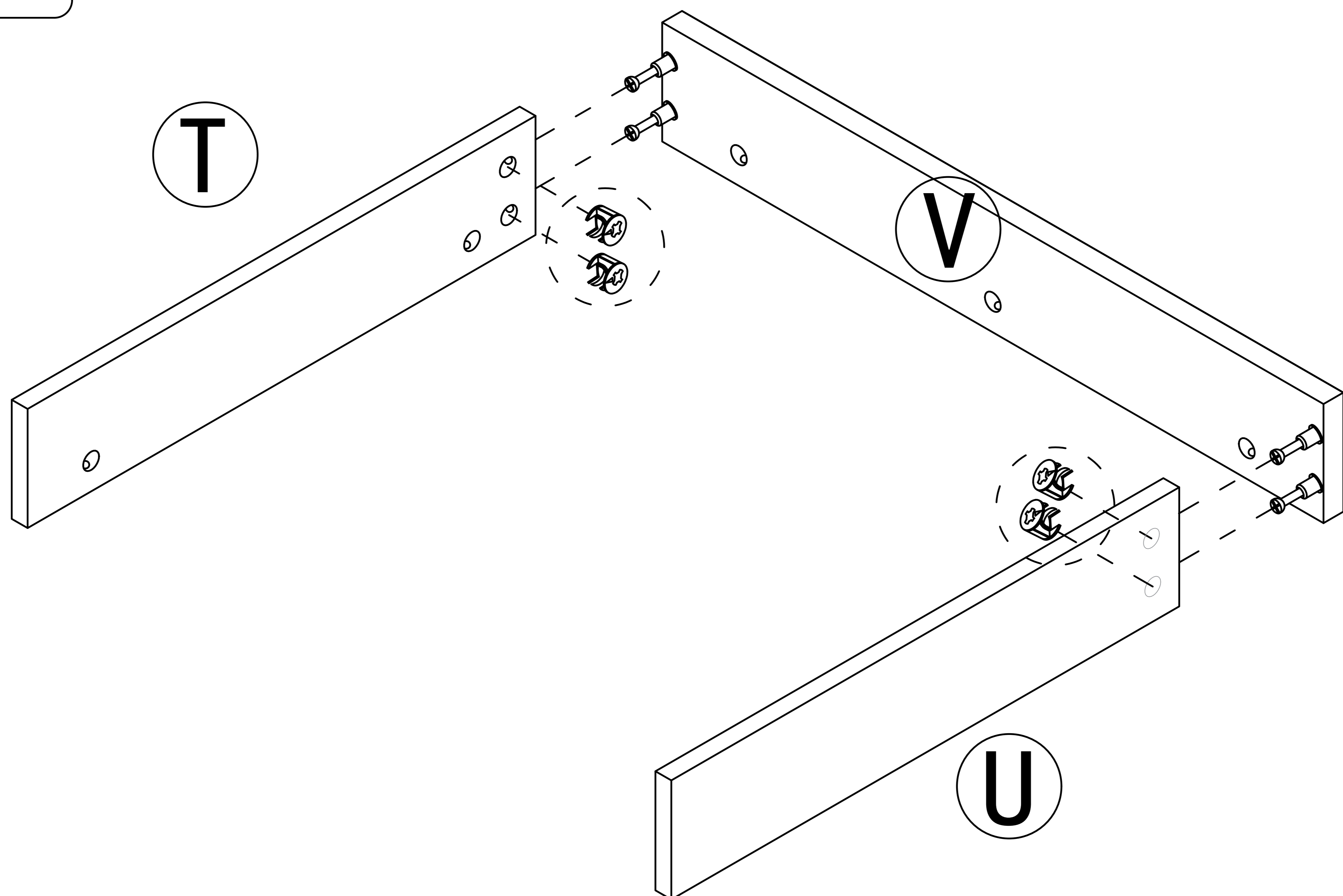
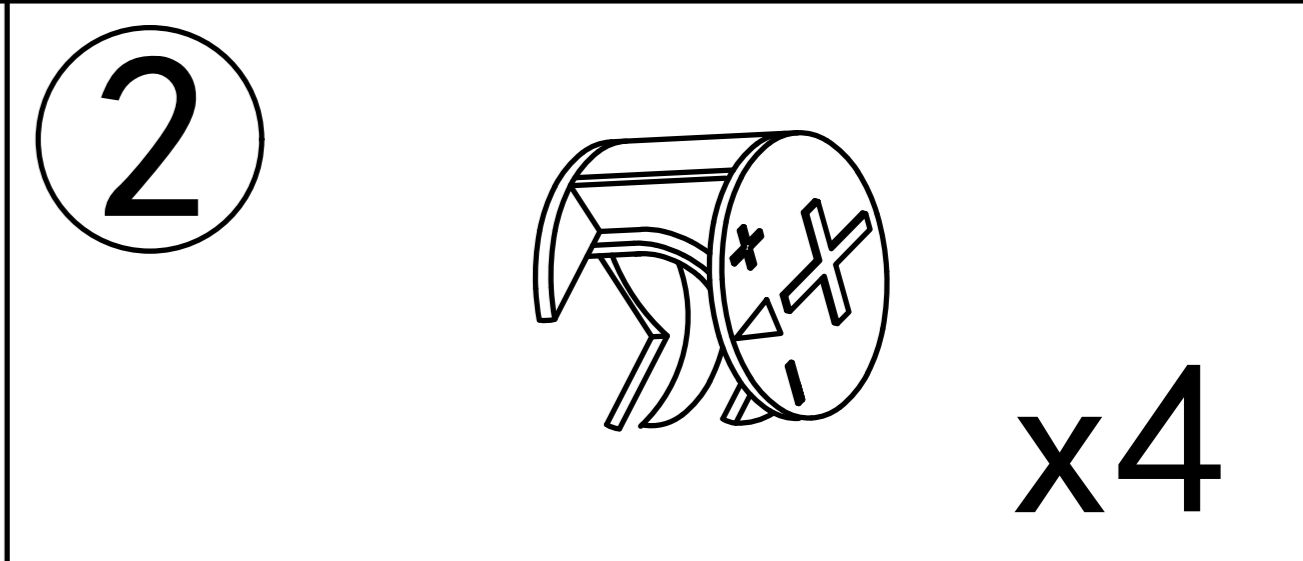
Unlock the lock with the key, and then install the R board as shown in the figure.



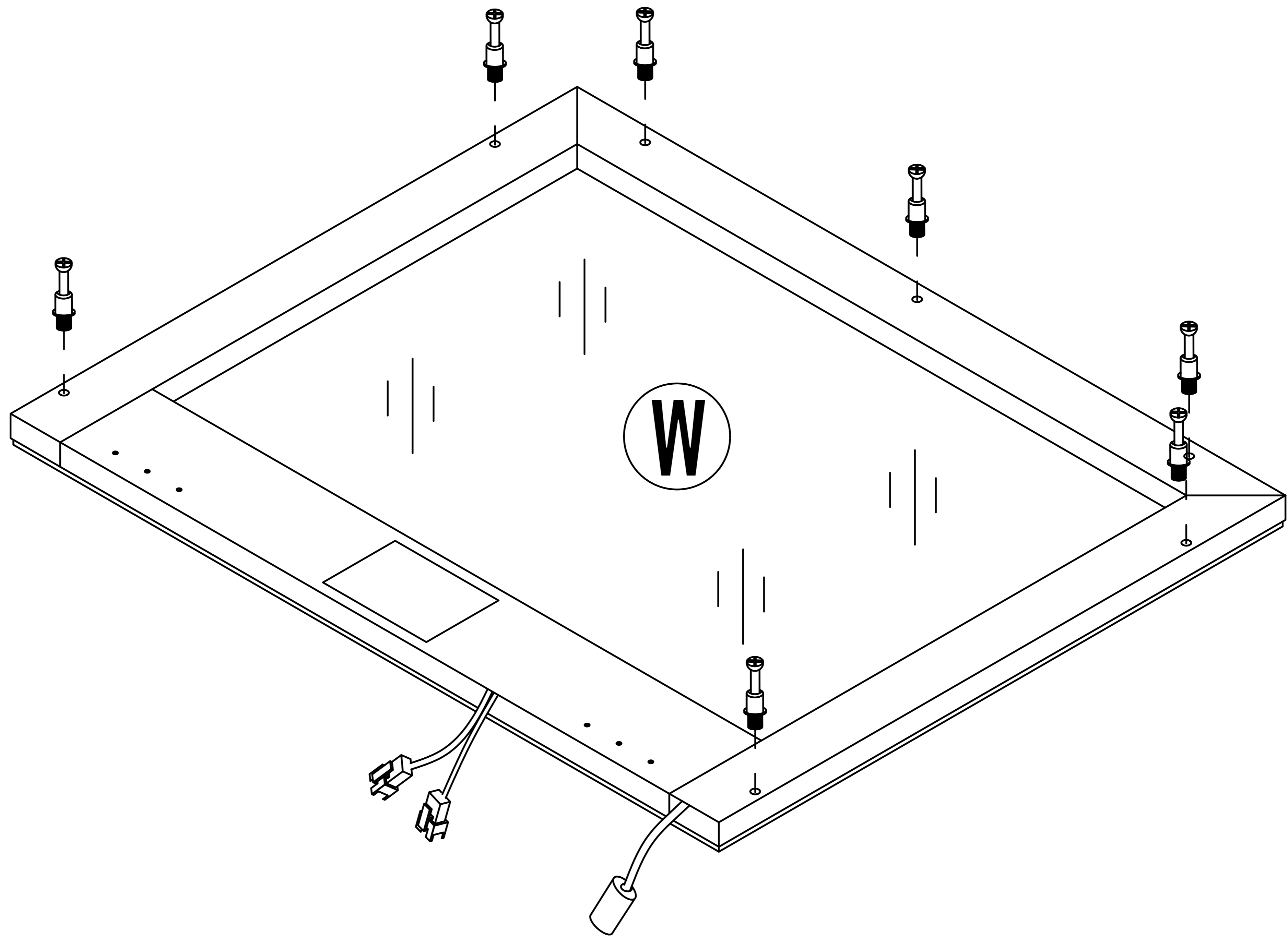
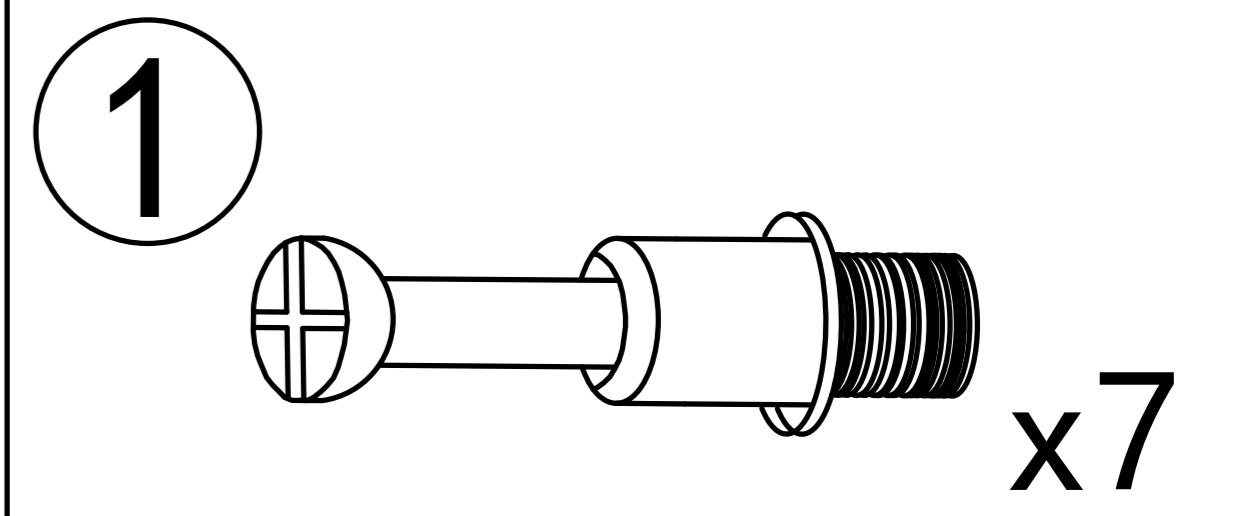
# Step 35



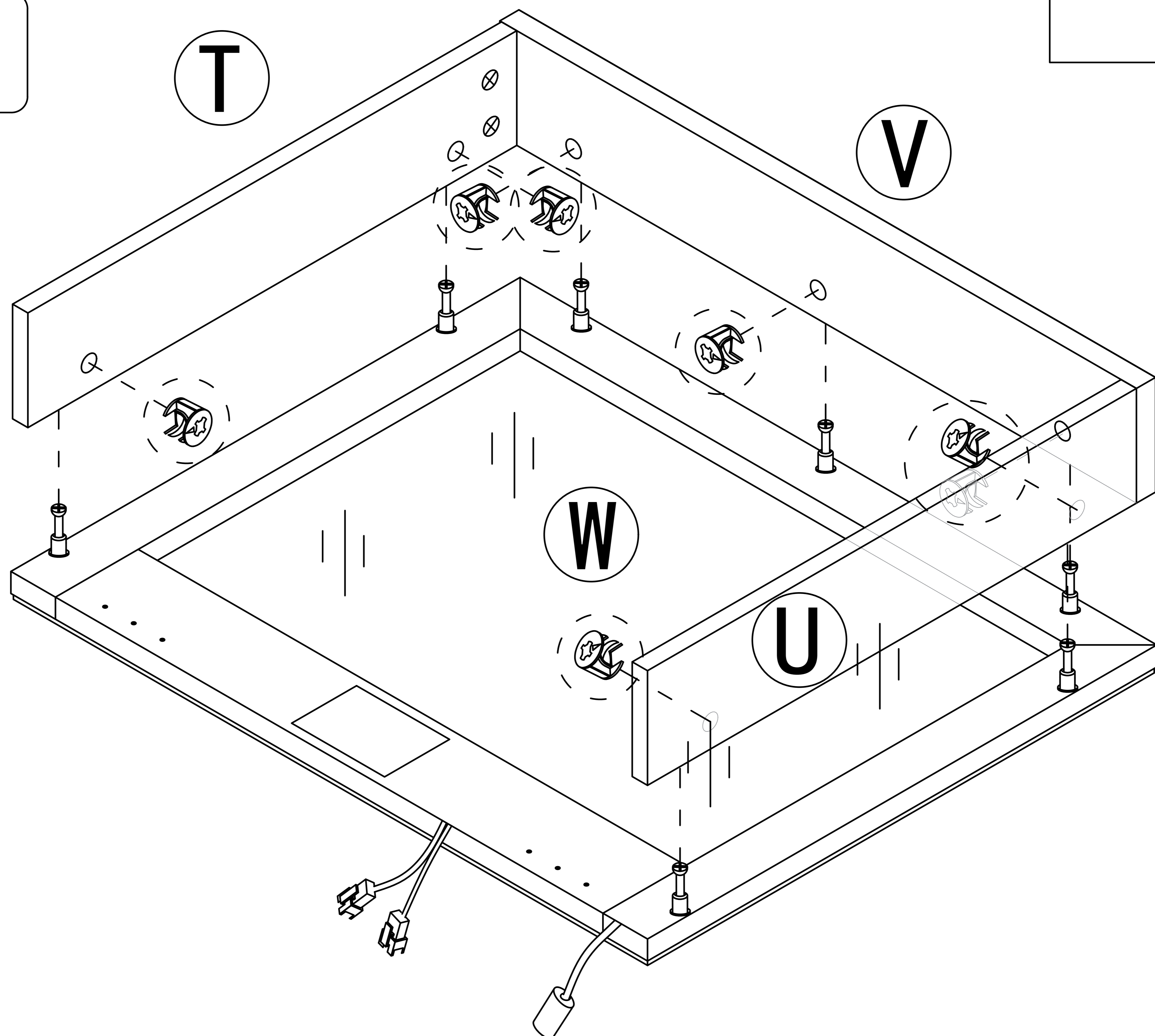
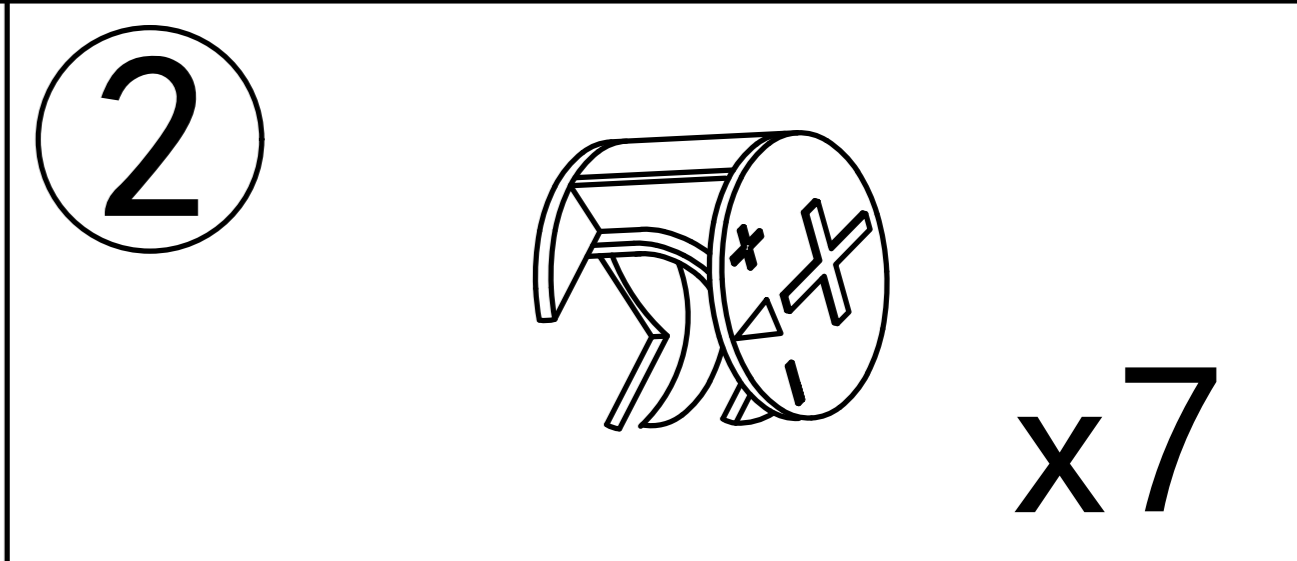
# Step 36



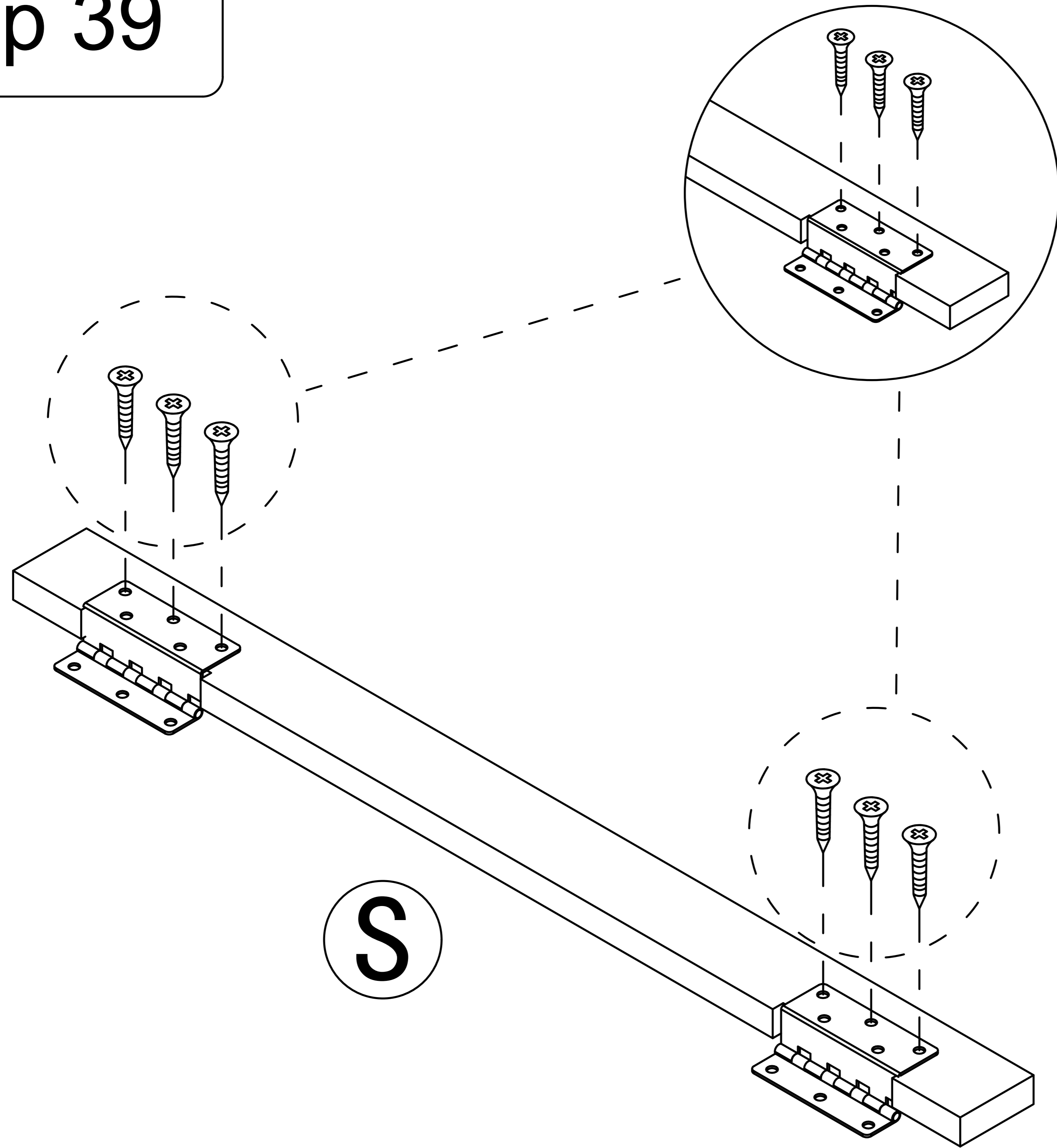
# Step 37

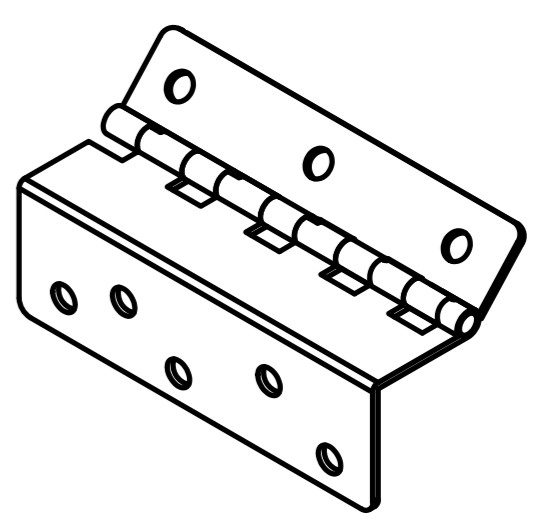


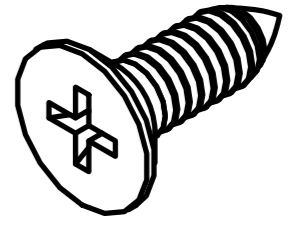
# Step 38



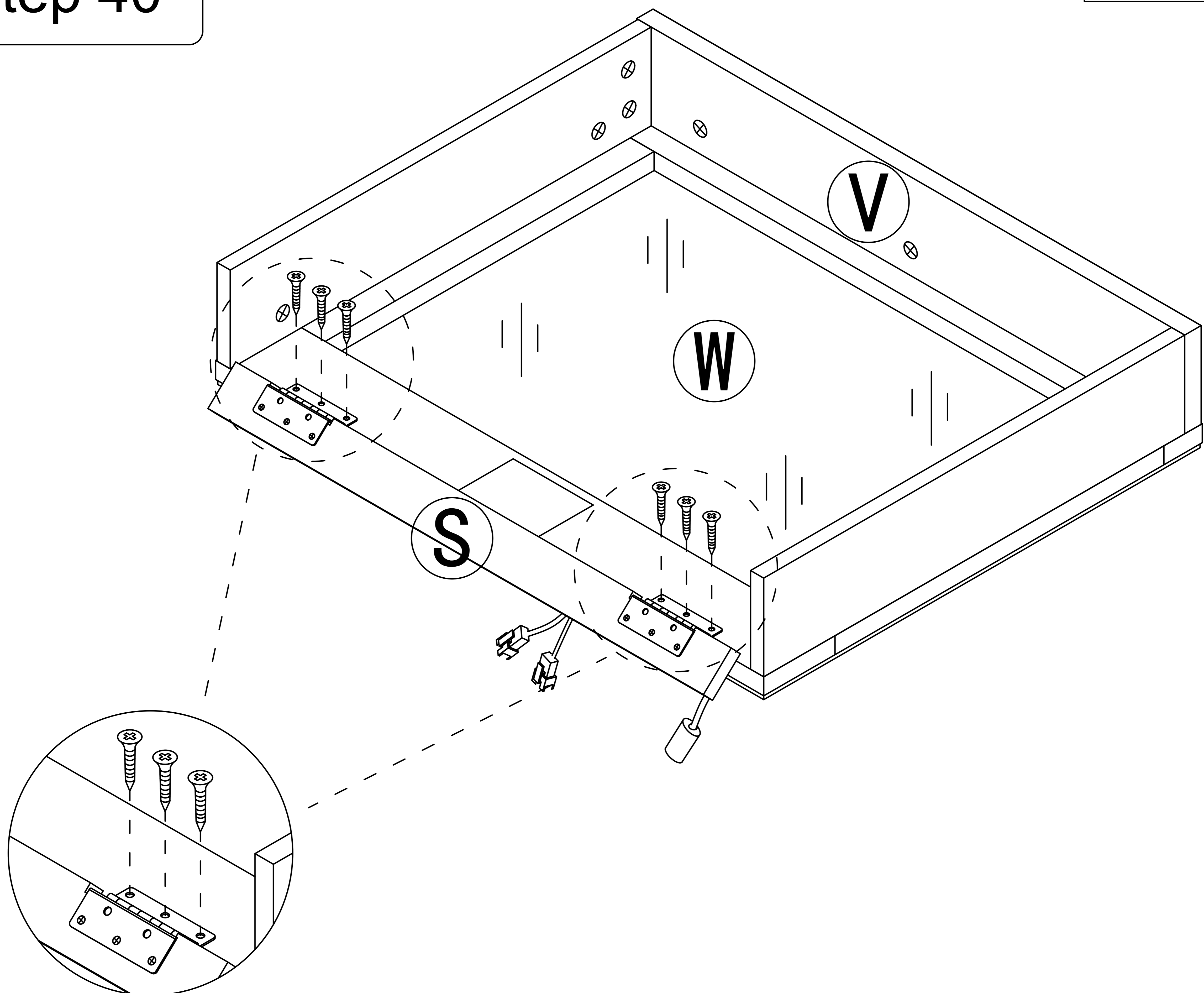
# Step 39

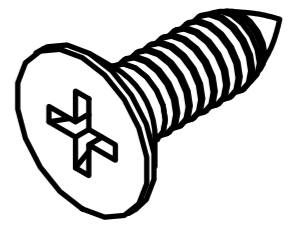


8  x2

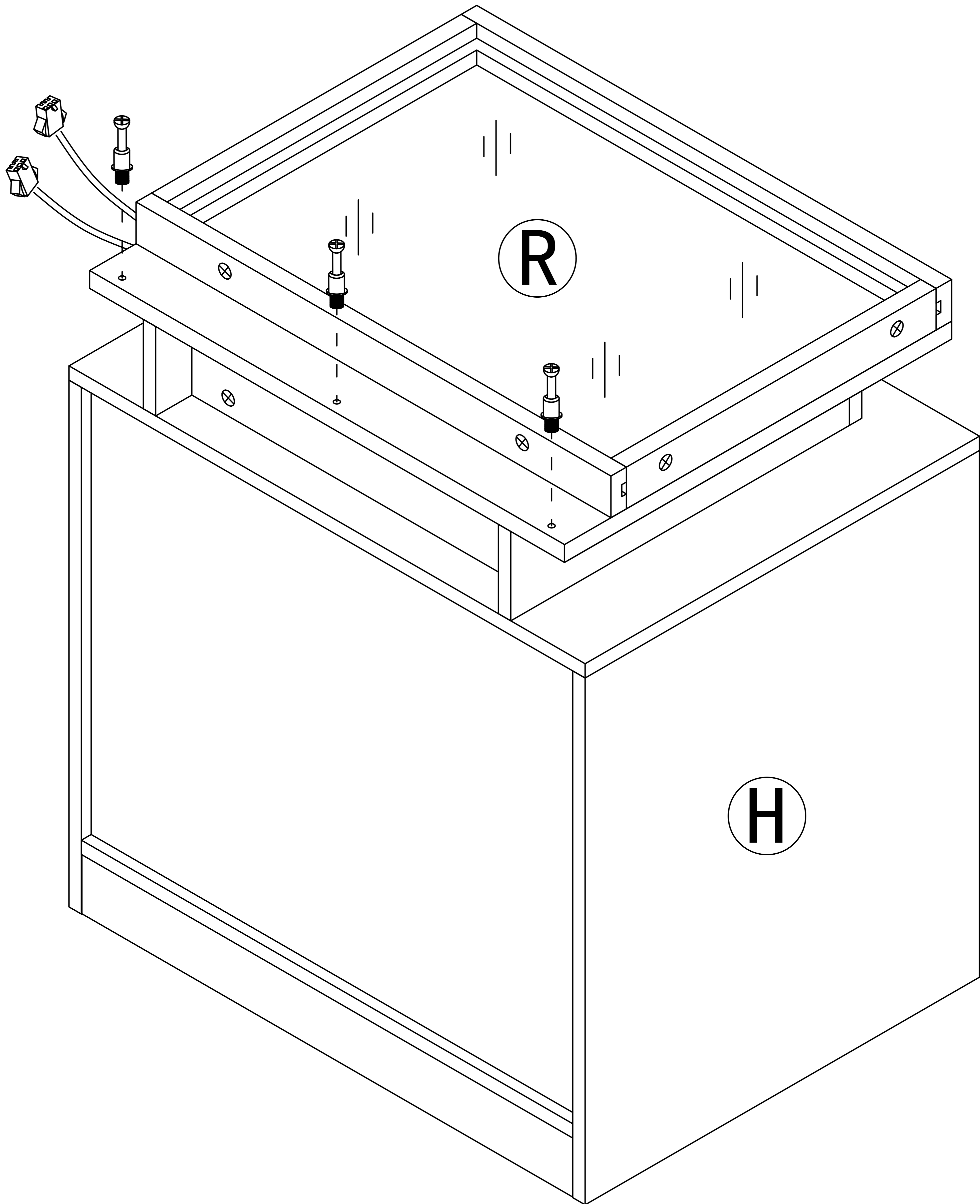
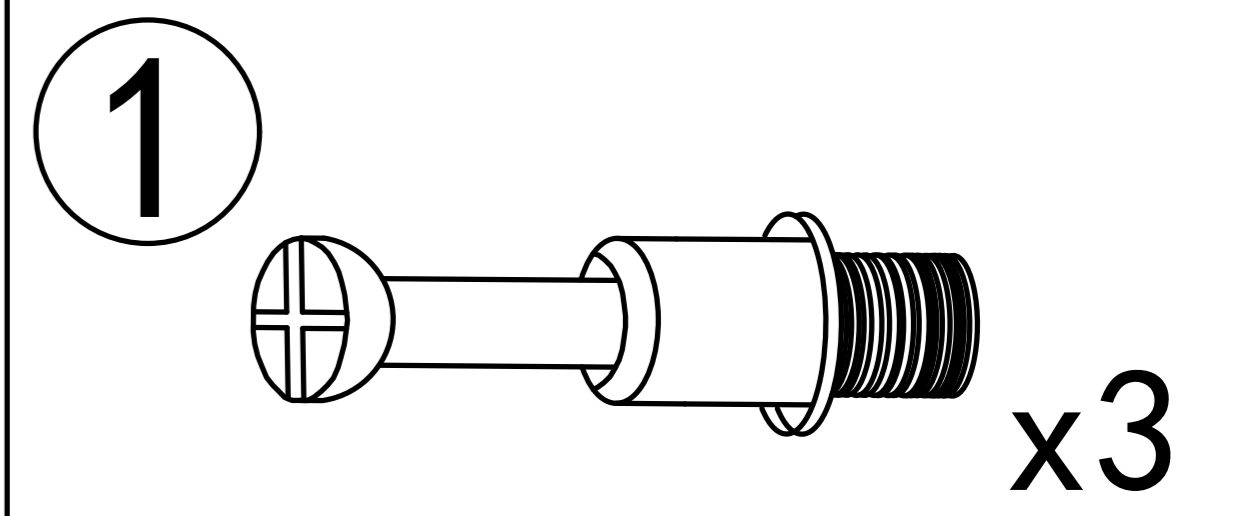
8  x6

# Step 40



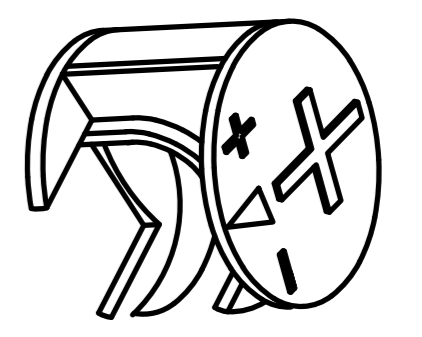
8  x6

# Step 41

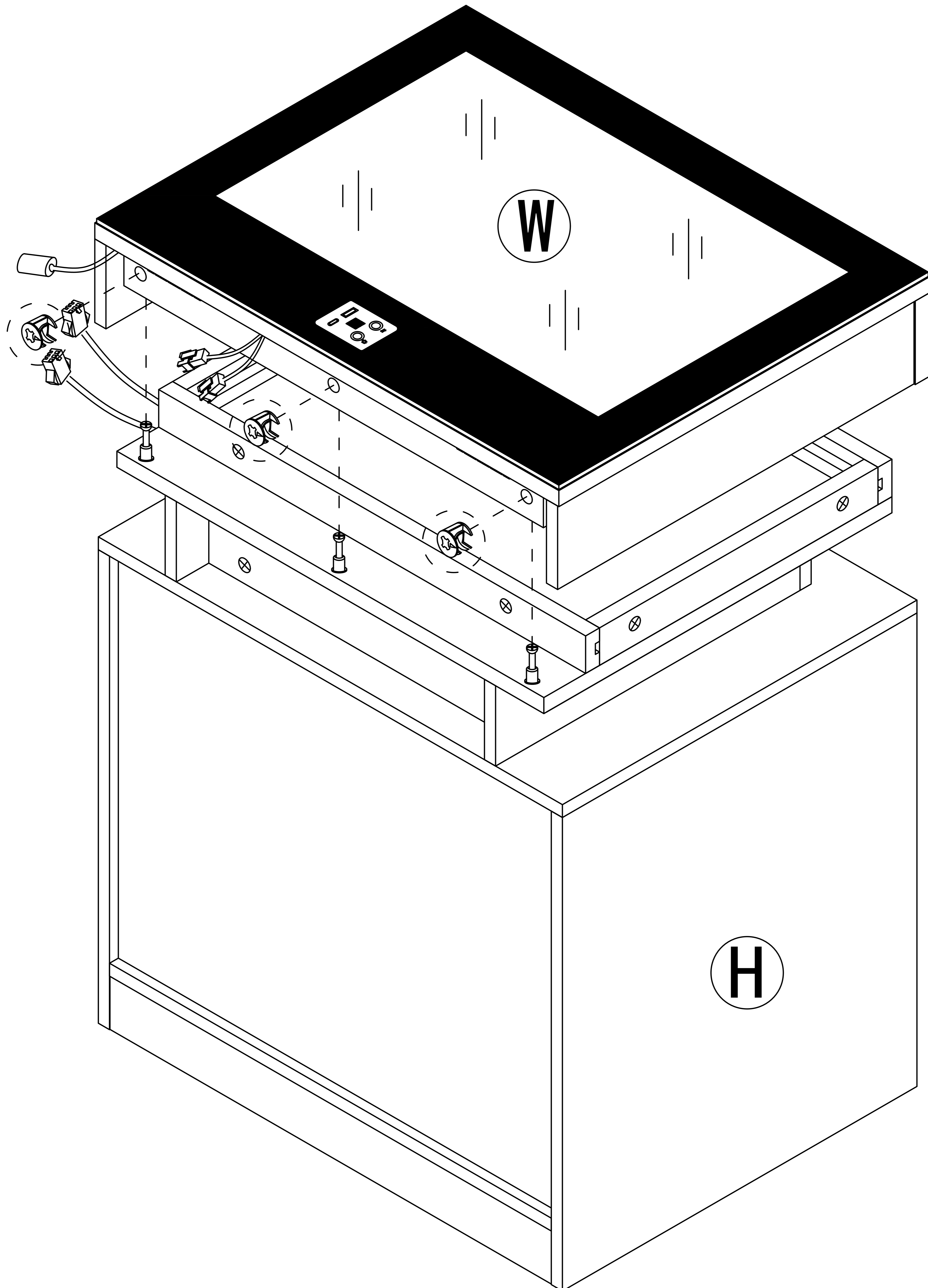


Step 42

2

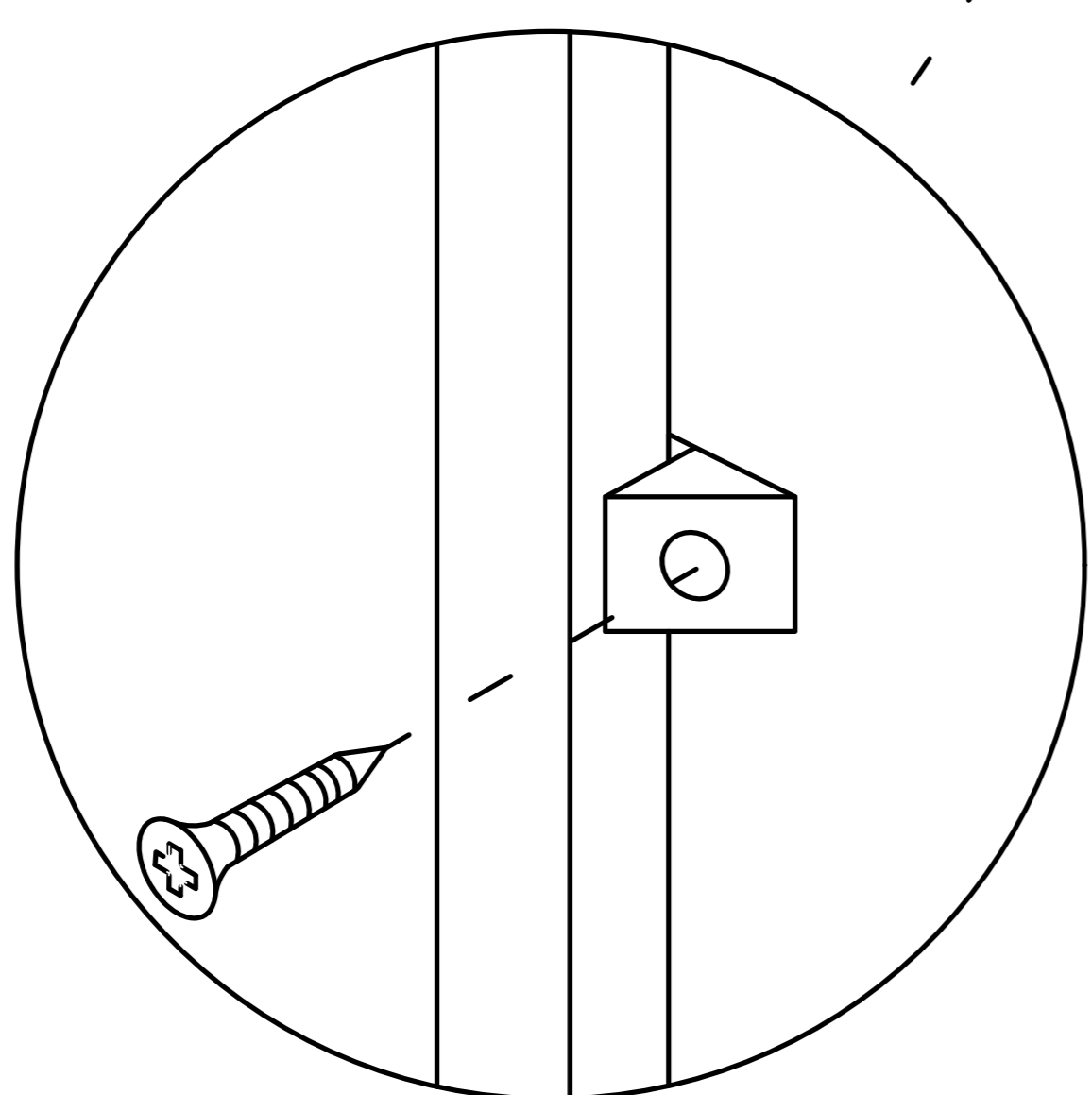
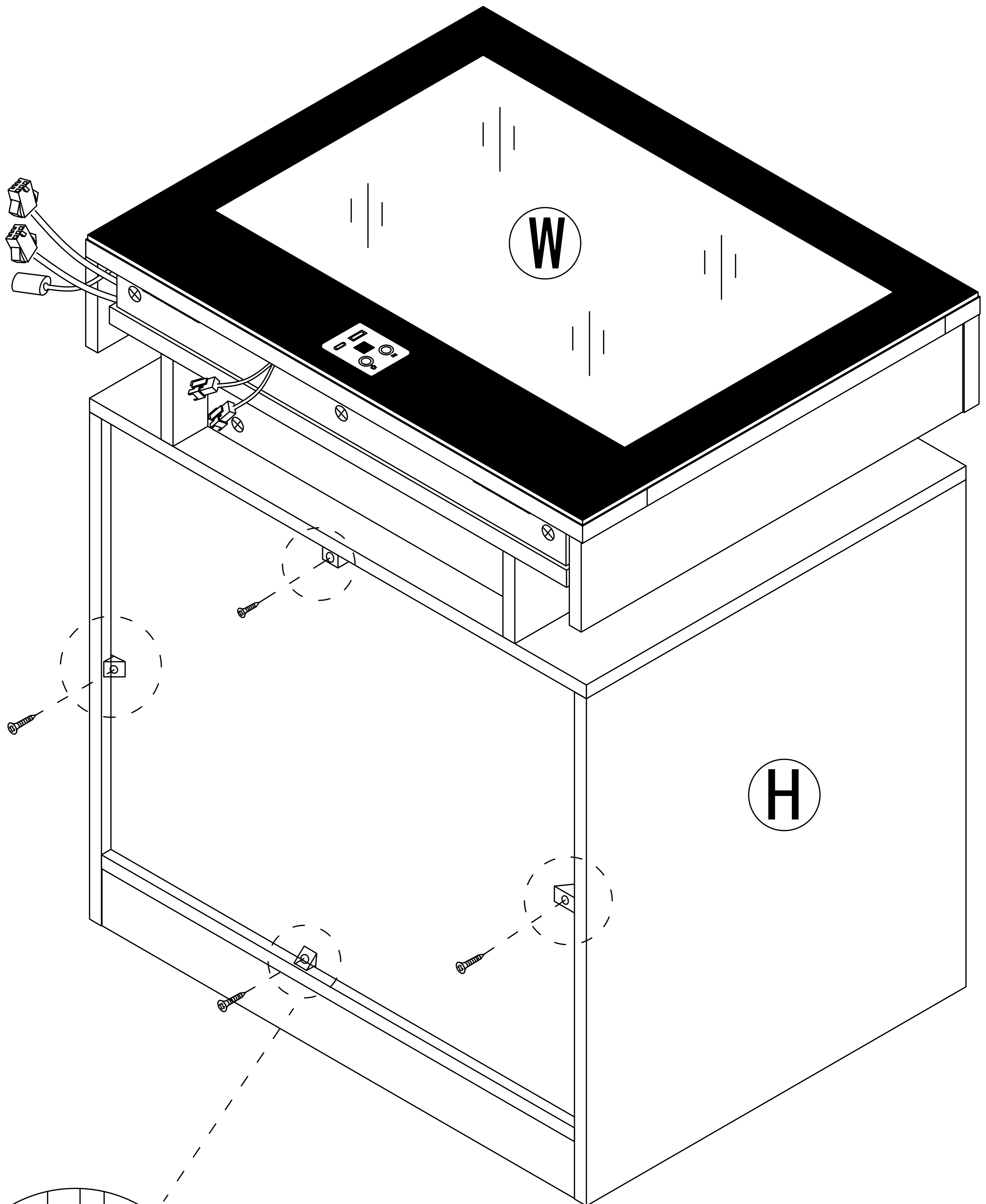
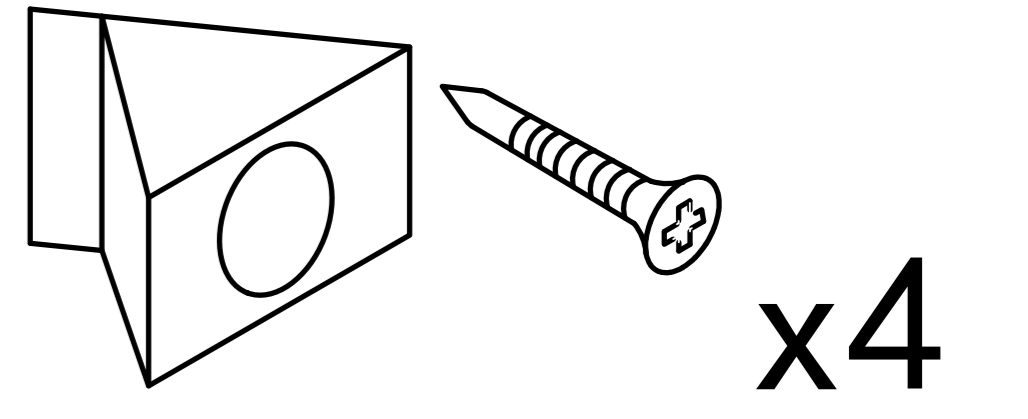


x3

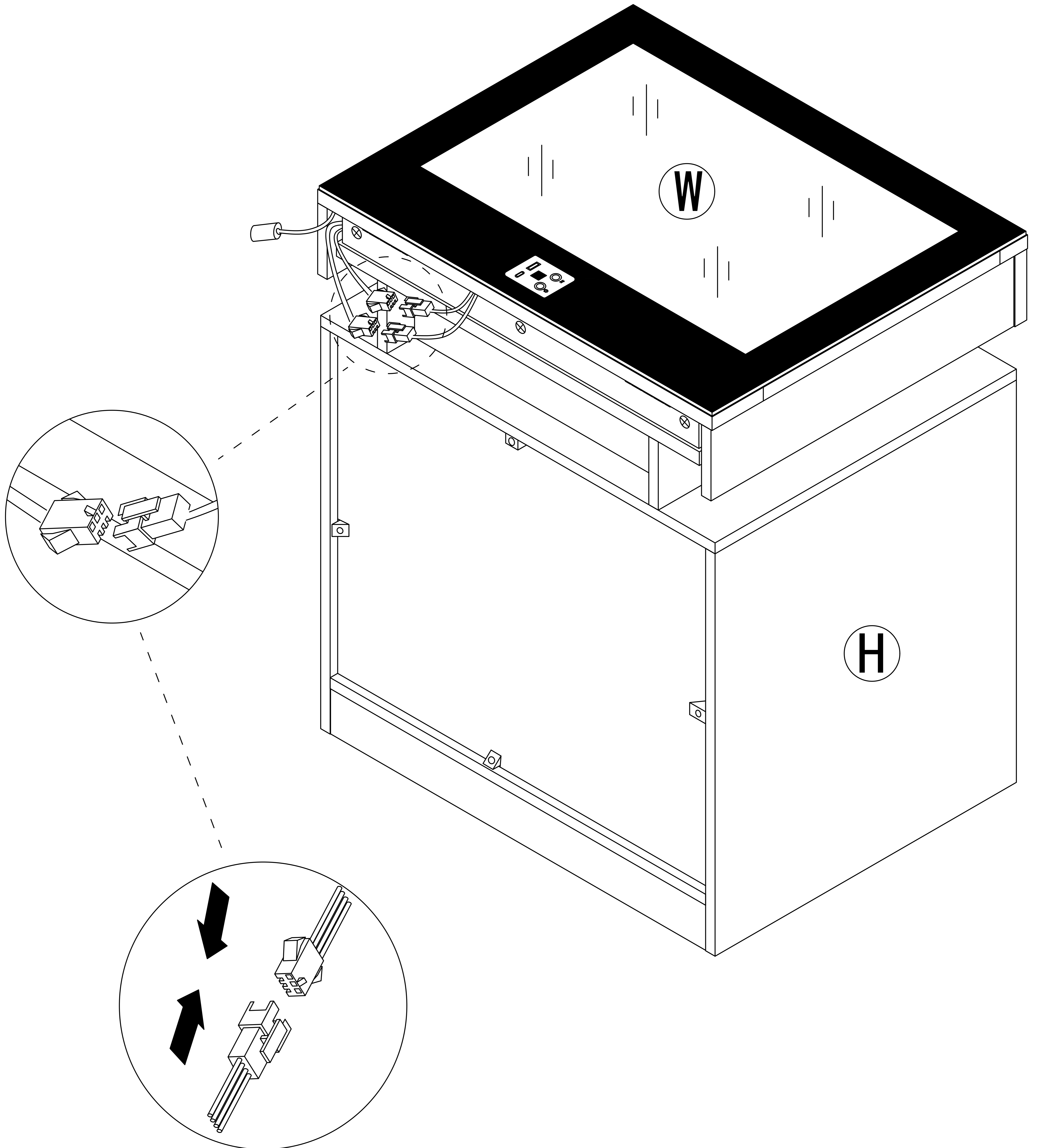


# Step 43

7

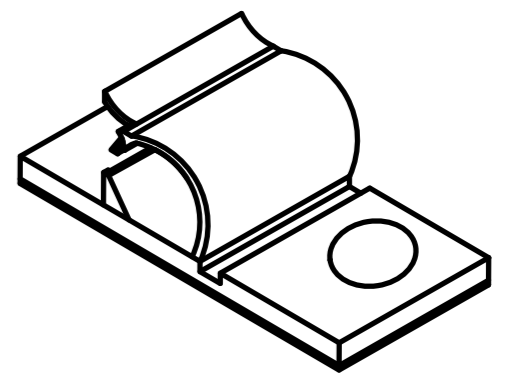


Step 44

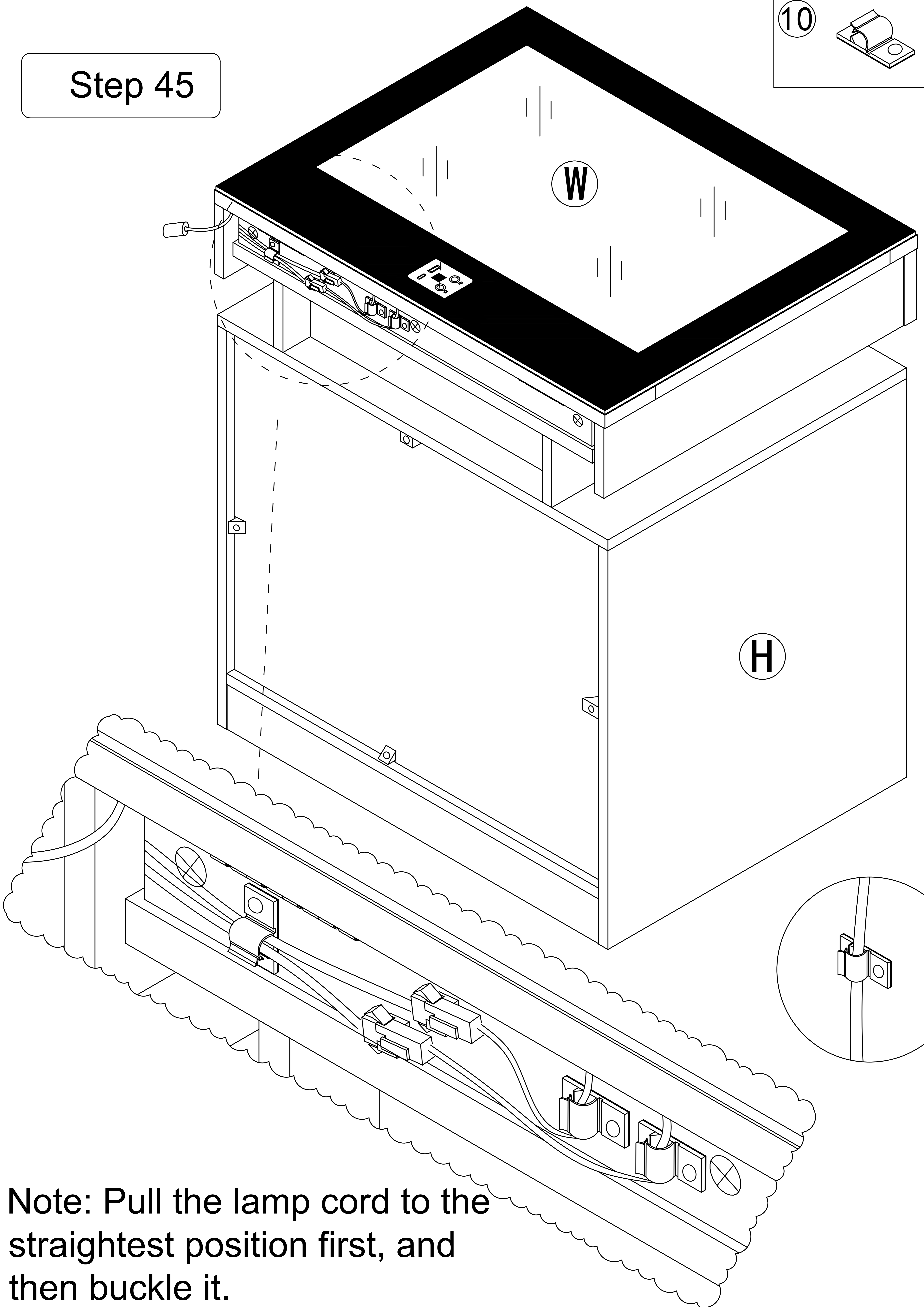


Step 45

10



x3

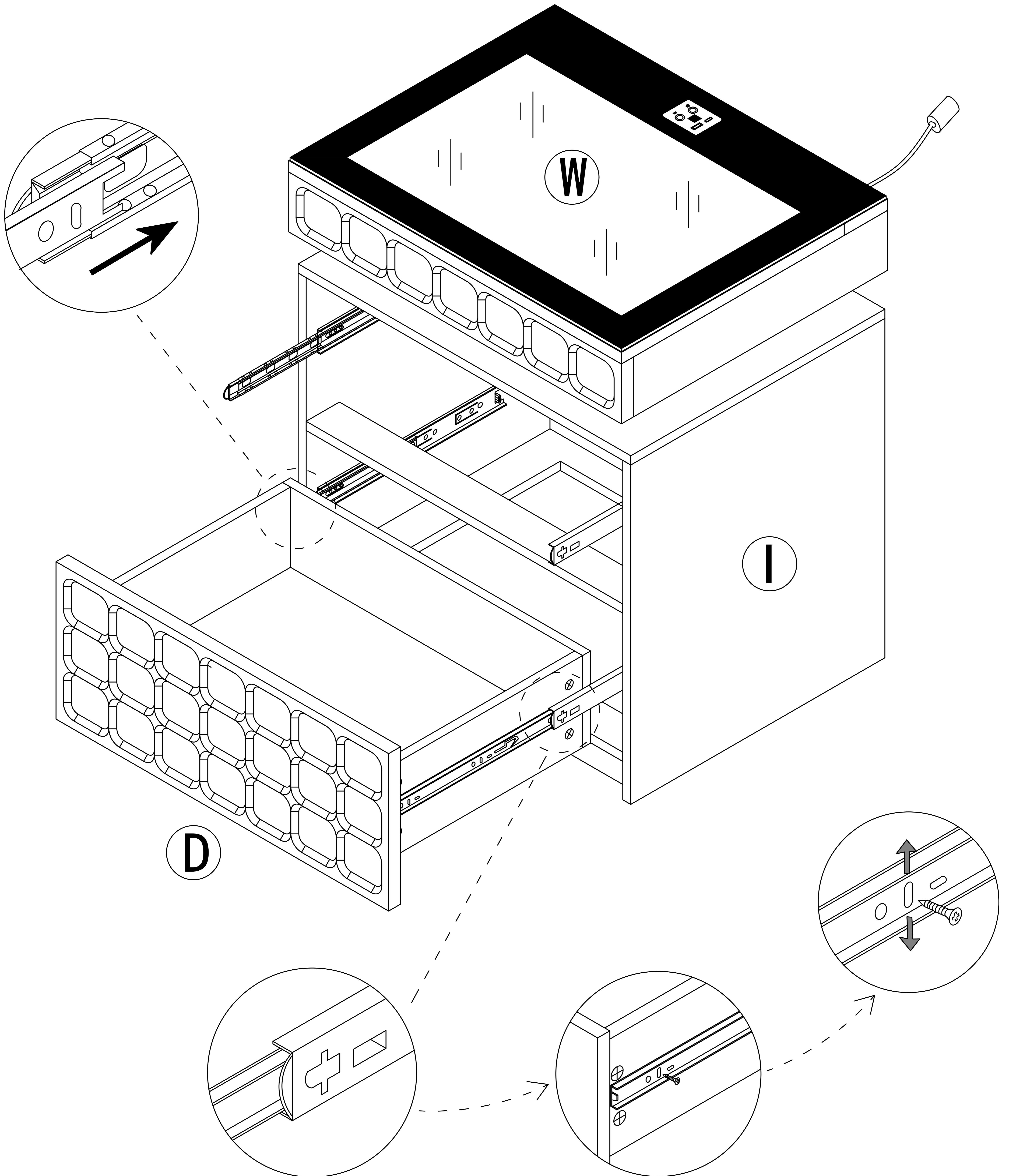


Note: Pull the lamp cord to the straightest position first, and then buckle it.

Note: Use a wire clip to pull the light wire taut and prevent it from falling off.

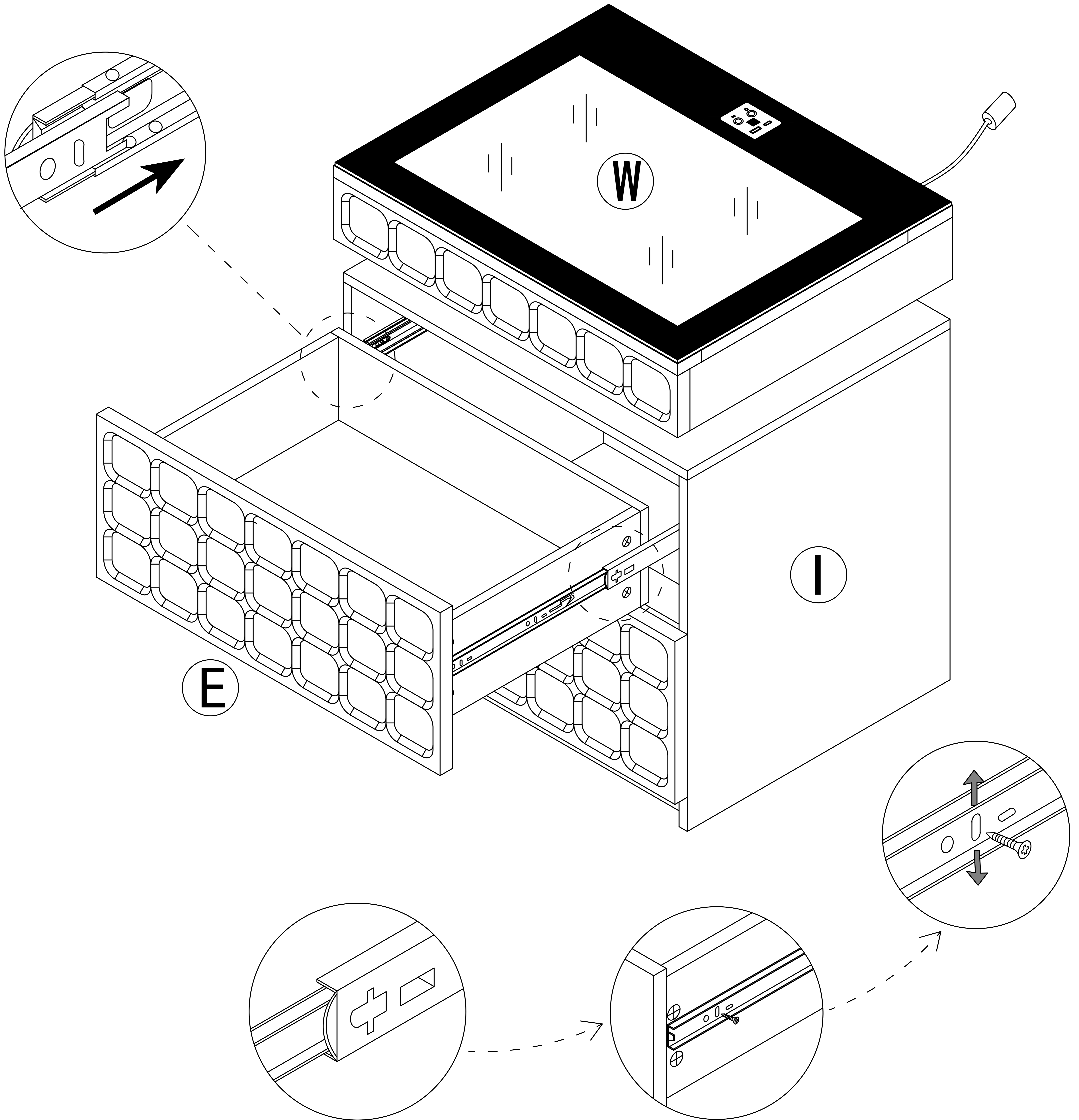


# Step 47



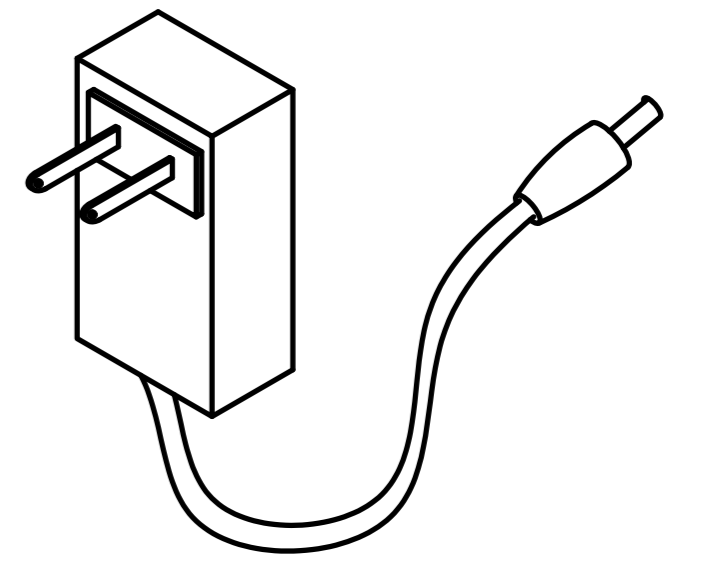
If a large gap is found after installing the drawer the slide rail can be moved up and down to adjust the gap

# Step 48

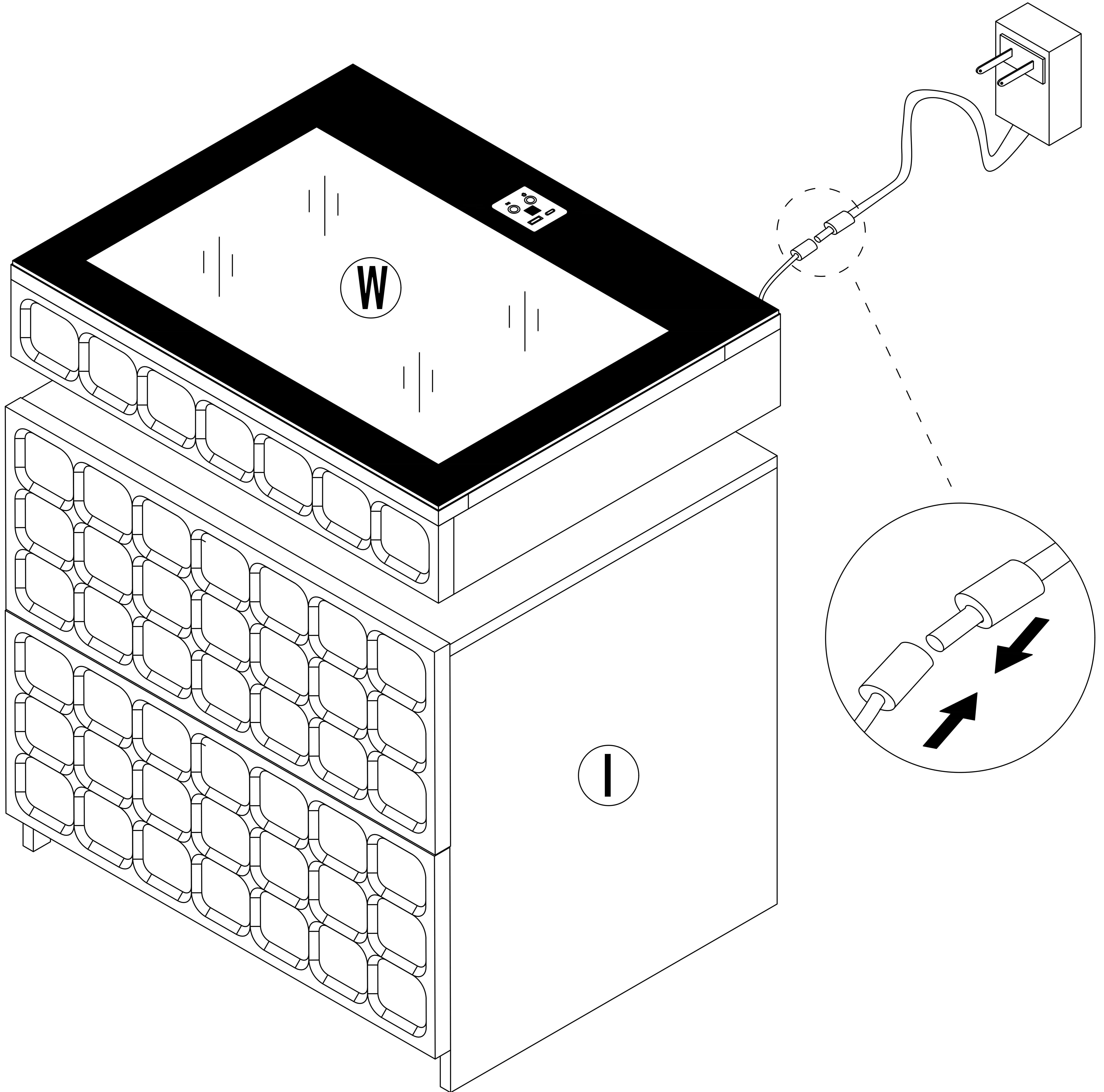


If a large gap is found after installing the drawer the slide rail can be moved up and down to adjust the gap

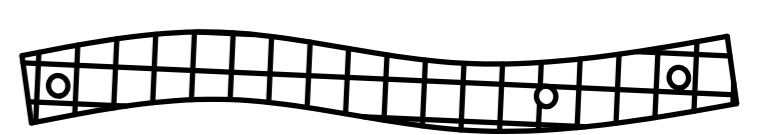
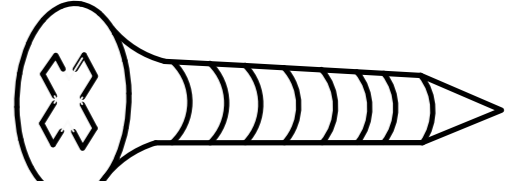

Step 49



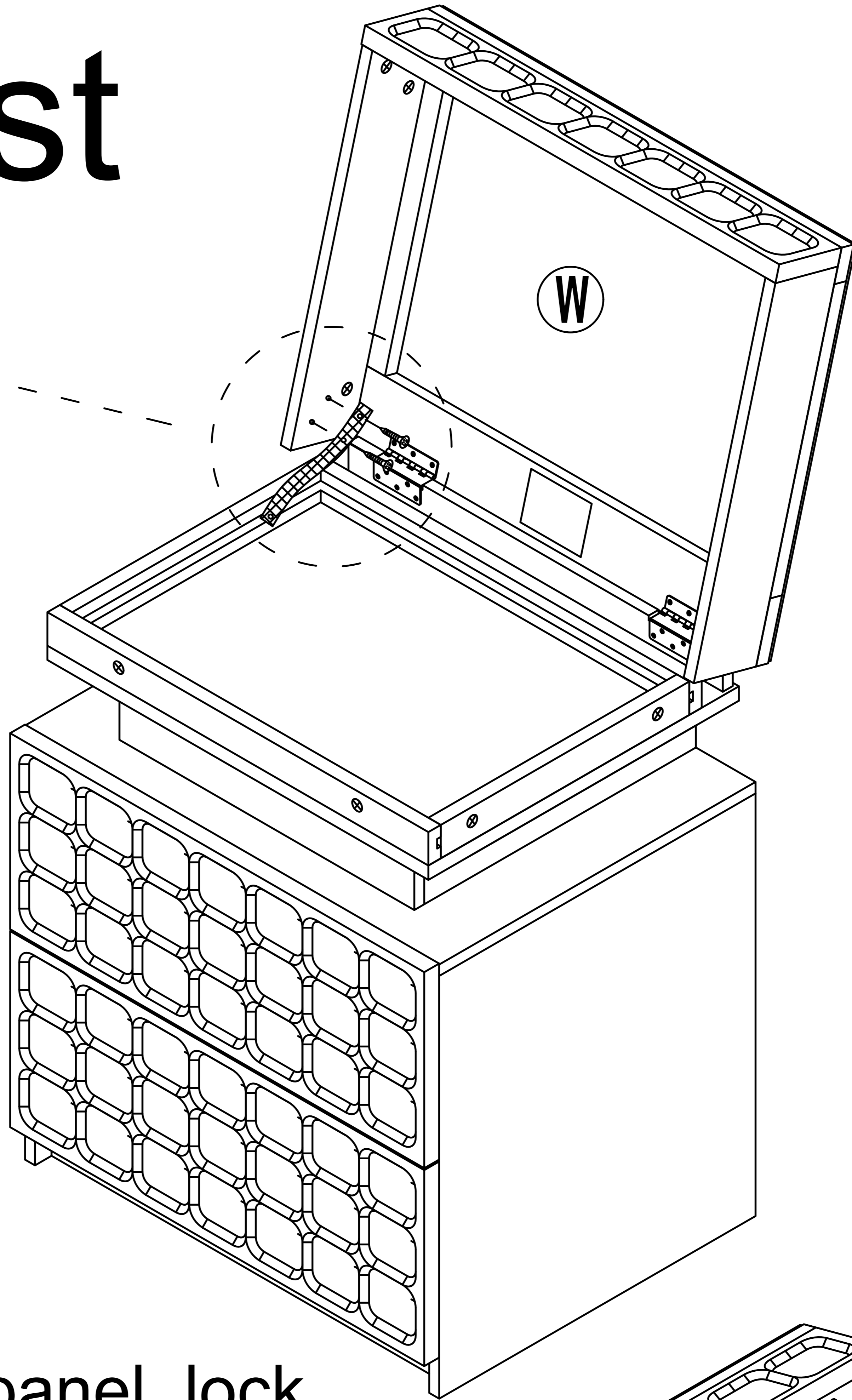
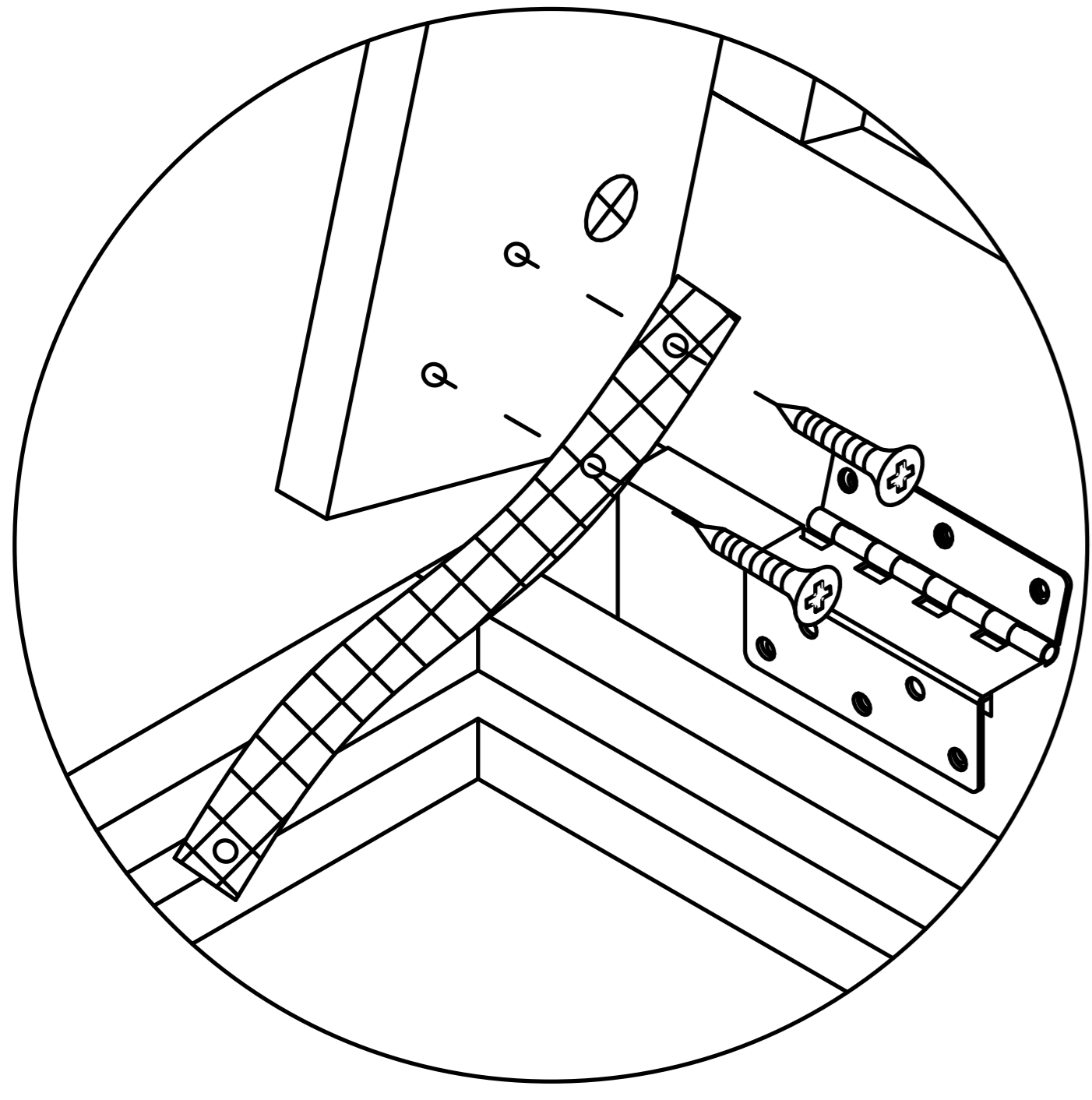
x1



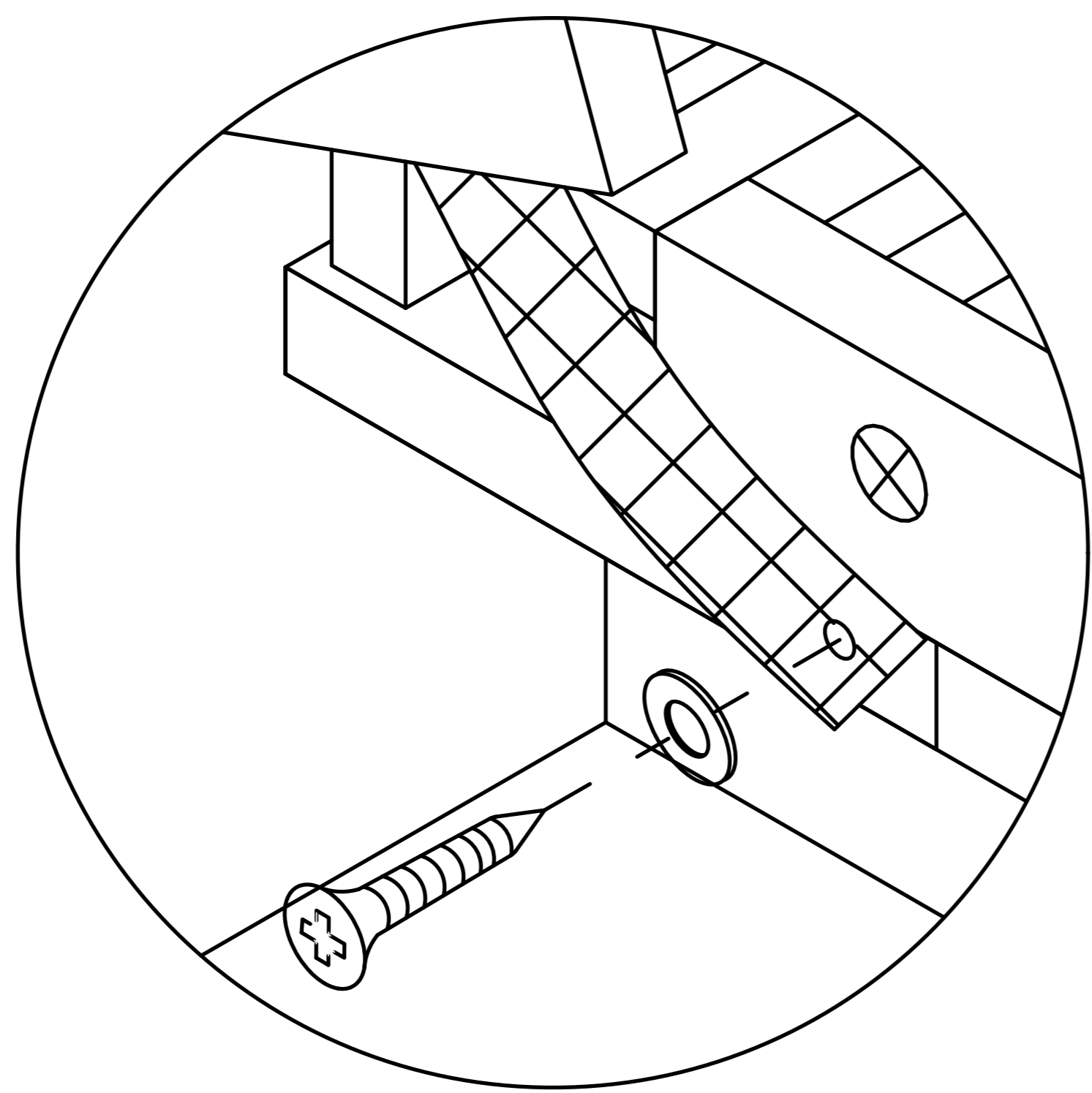
# Step 50

- 11  x1
-  x3  x1

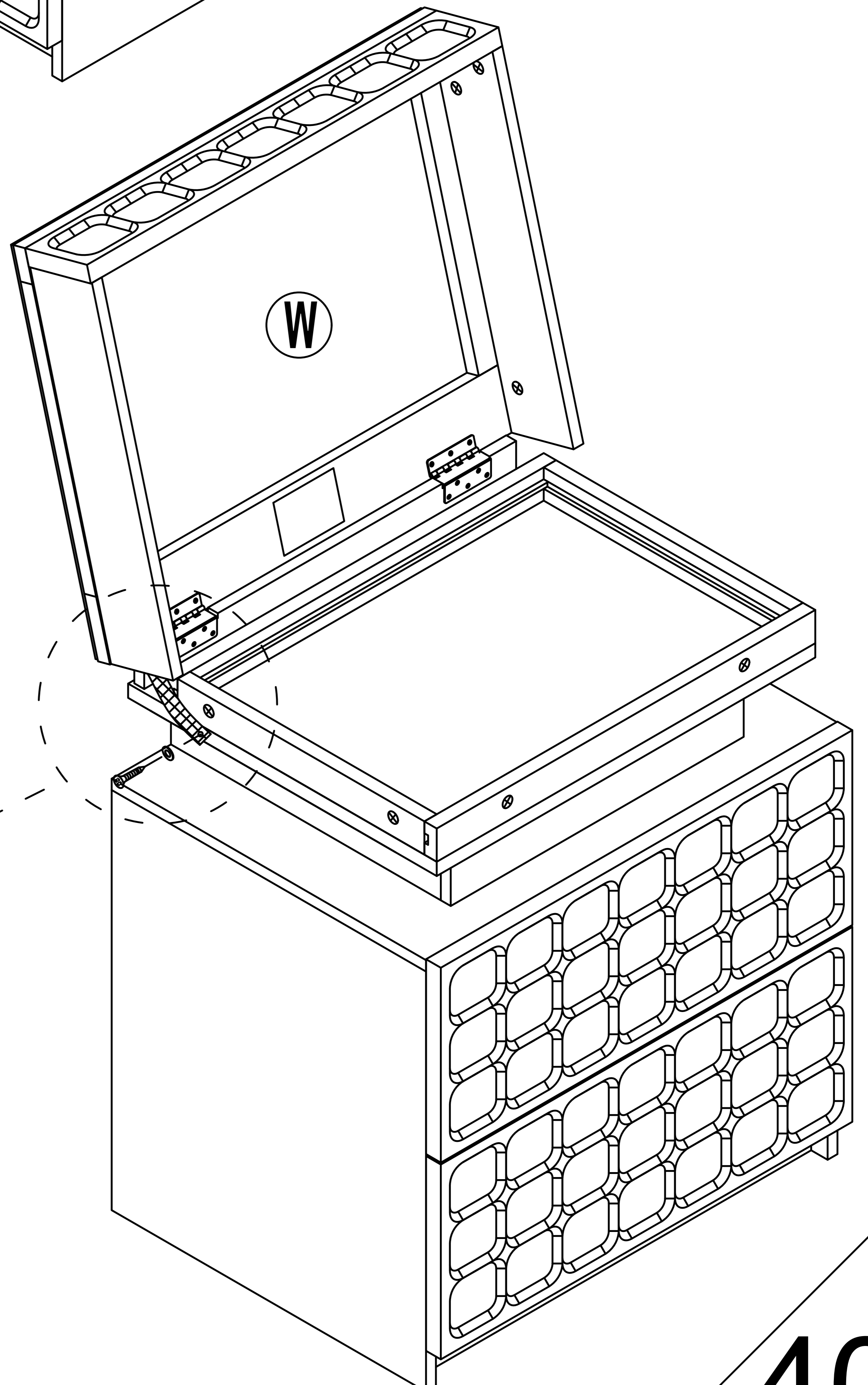
## first



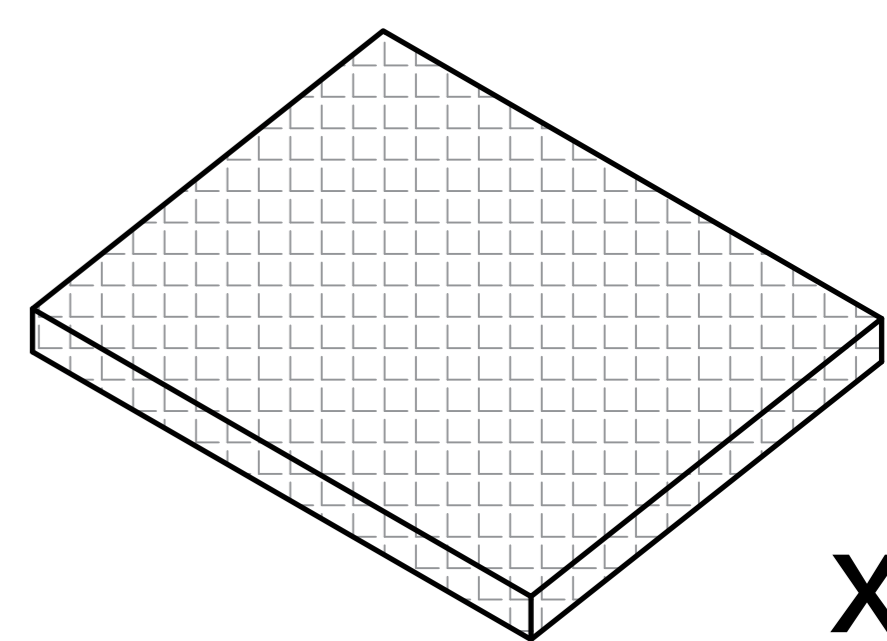
Note: Before opening the panel, lock the key, and then support the panel against the wall at a certain inclination.



## second

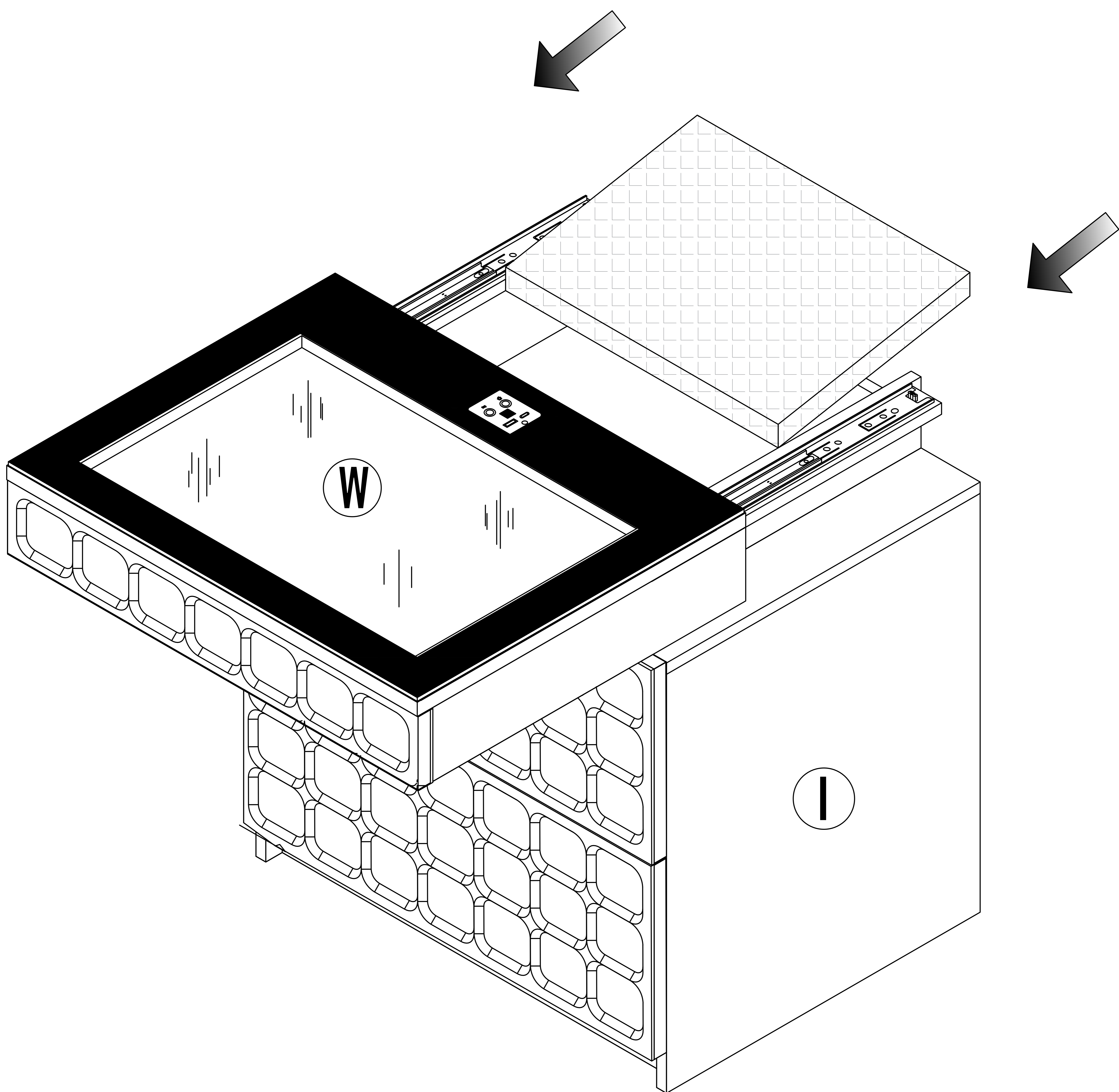


12



x1

Place the sponge mat inside the drawer.





Scan code to download app

## User's Guide

Thank you for purchasing this product.

To use this product, please connect it to a power source.

Please use if the product works normally after connecting to power.

If bubbles appear on the panel, remove the protective film.

## Introduction

The box is an intelligent controller.

It has 1 USB output port 1 Type-c port, with 2 touch buttons ,

it can and turn ON/OFF the induction function,

turn ON/OFF the light,adjust the light luminance, and change light colors.

The lights can be controlled through both the touch buttons and a dedicated app.

## Operation



This touch button is used to turn the light on/off, adjust brightness, and switch the color of the lights.

i. Single Click: Turn the light on/off.

ii. Quick Double-Click: Switch between 7 static RGB colors.

iii. Long Press (2+ seconds): Adjust the light luminance.



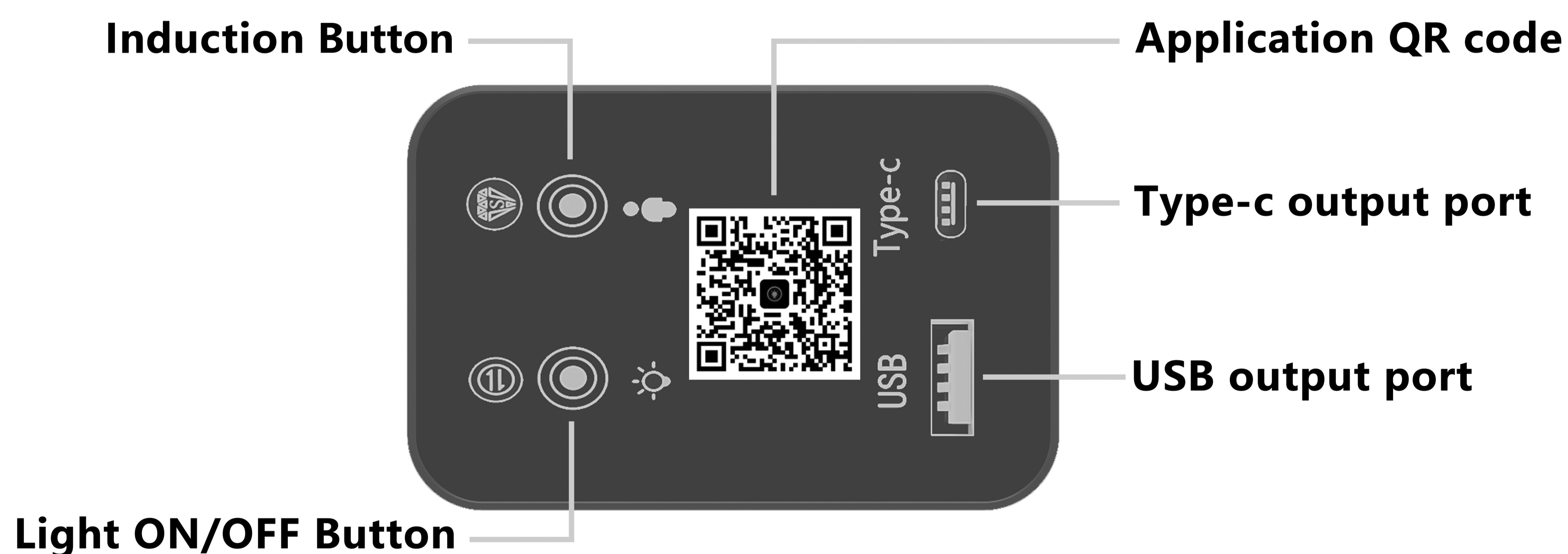
This touch button is used to switch dynamic phantom colors and turn ON/OFF the induction function.

i. Single Click:Switch to Phantom Mode, with 5 magical color transformations available.

ii. Human Body Sensing Control:Long Press (3+ seconds): Turn on The key press indicator light is on.)

Long Press (3+ seconds): Turn off (The key press indicator light is off.)

By default, the human body sensing is enabled upon initial power-on, and the indicator light is on.



## ⚠ ATTENTION PLEASE

1. If there is no touch response suddenly, Re-plug the power to reset the touch static electricity.
2. If you have any questions when installing, please feel free to contact us. Thank you.