

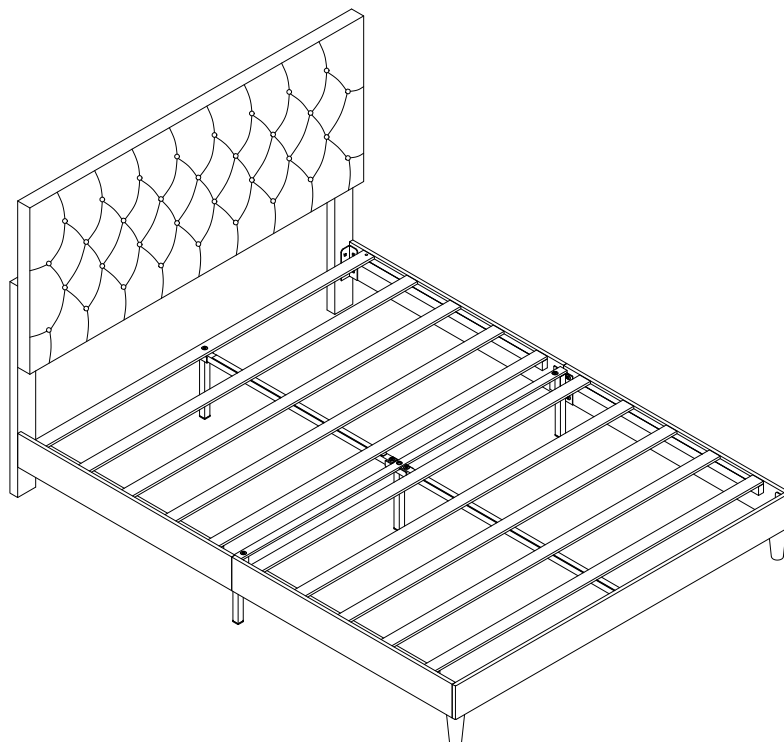
ASSEMBLY INSTRUCTION

DEAR CUSTOMER

Thank you for purchasing our product. Please read this assembly instruction carefully before assemble and use, and keep it for future reference.

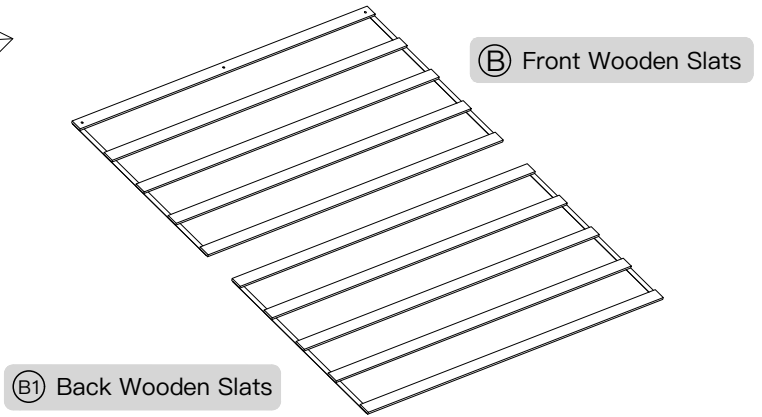
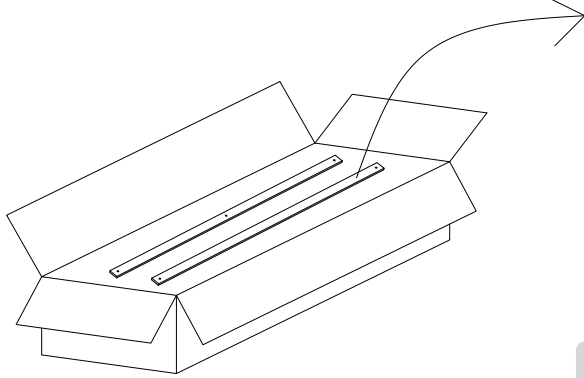
Tips:

1. Please check whether the outer packaging is intact before opening to avoid damage during transportation.
2. Assemble this product on a flat and clean surface to avoid scratching. It is recommended for one or two people to assemble.
3. After unpacking, please confirm in time all the parts and hardware are included. Please do not discard any packaging, if for any reason you need to return this product, it must be returned in its original packaging.
4. If you have any questions about the products, please send an email to our website!
5. Please keep small parts out of reach of children or pets to prevent them from swallowing.
6. Please read the installation steps in the Instruction carefully and follow the steps in the Instruction to assemble.

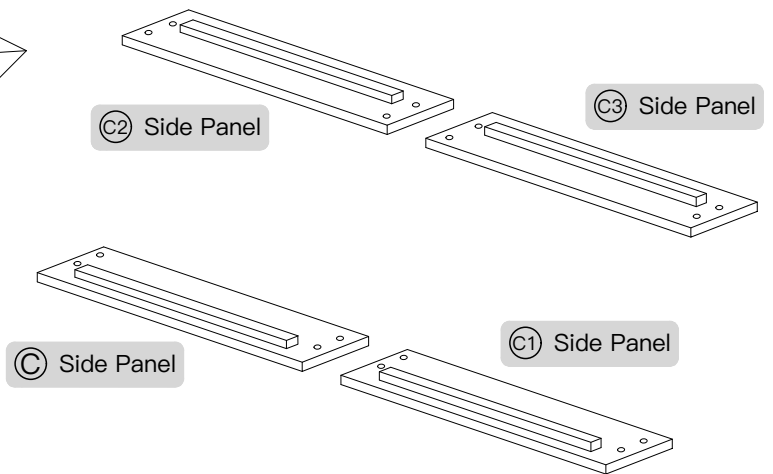
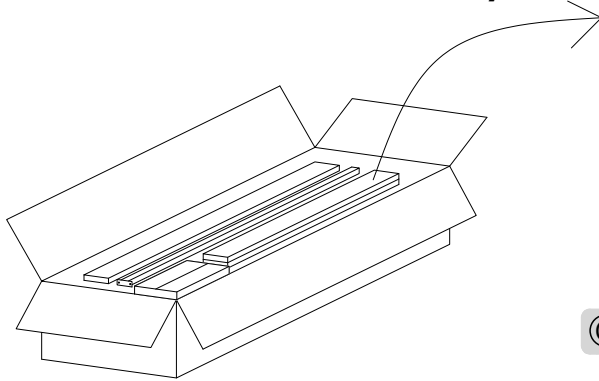


Unpacking Step

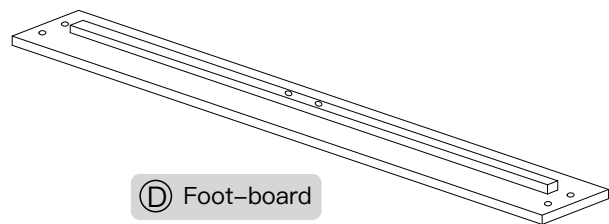
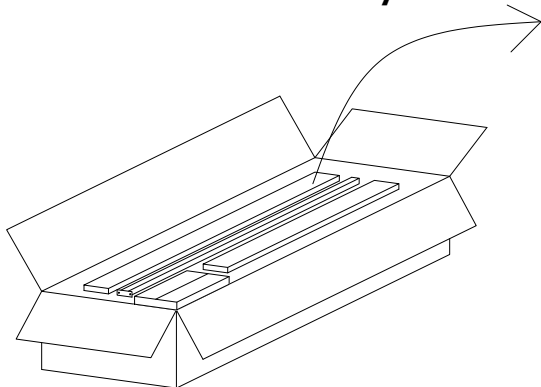
First layer



Second layer

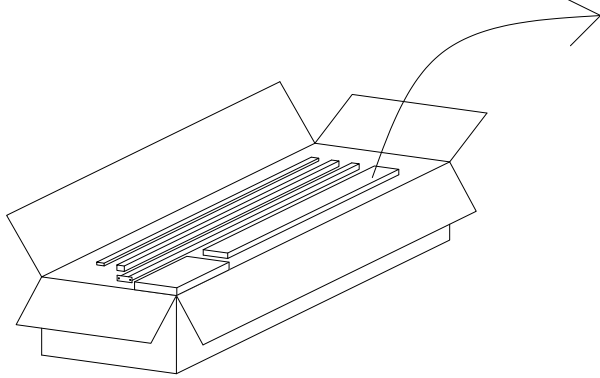


Third layer



Unpacking Step

Fourth layer

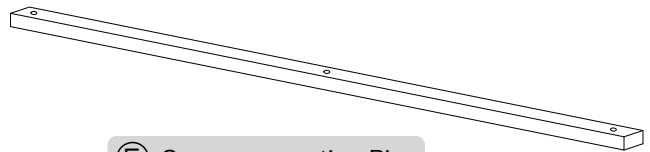
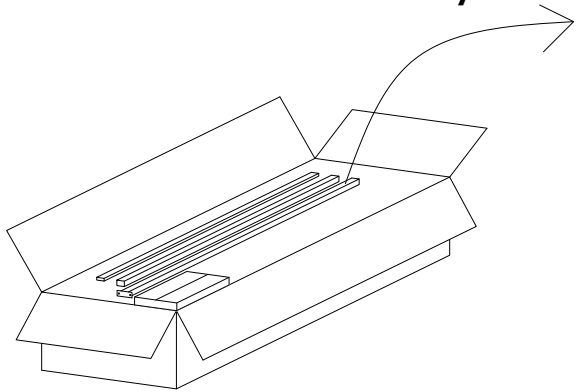


Ⓔ Column

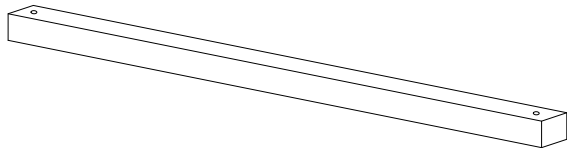


Ⓔ1 Column

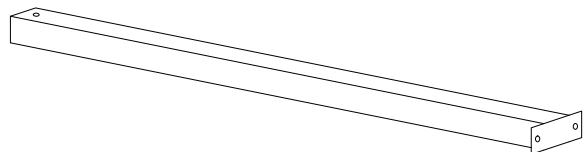
Fifth layer



Ⓕ Cross-connecting Pipe



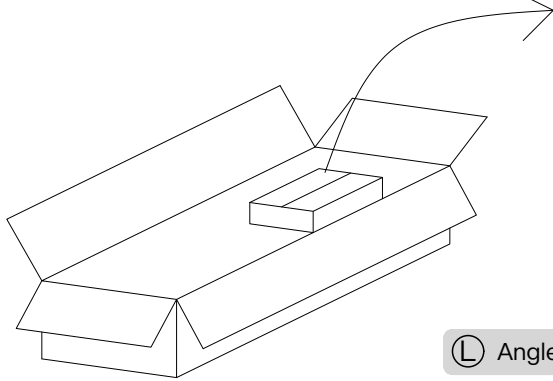
Ⓖ Center Front Pipe



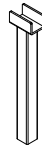
Ⓖ Center Back Pipe

Unpacking Step

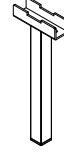
Sixth layer



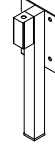
- Ⓛ Front support leg
- Ⓜ Middle Support Leg
- Ⓝ Side Mid-leg



x1



x1



x2

- Ⓛ Angle Iron



x2

- Ⓛ1 Angle Iron



x2

- Ⓜ Anti-slip Gasket



x2

- Ⓝ Leg



x2

Hardware Bag:

- ⓐ Bolt



M6*55mm
x4

- ⓑ Bolt



M6*25mm
x6

- ⓒ Bolt



M6*18mm
x20

- ⓓ Bolt



M8*50mm
x1

- ⓔ Bolt



M8*35mm
x5

- ⓕ Screw



4*25mm
x2

- ⓖ Flat Washer



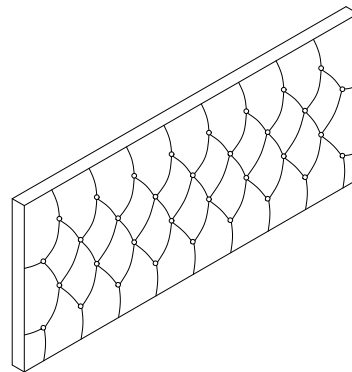
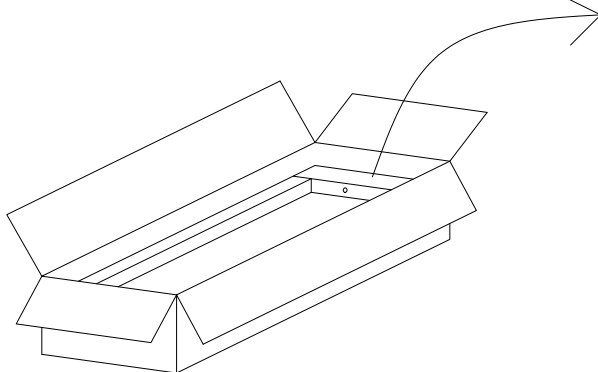
x30

- ⓗ Allen Wrench



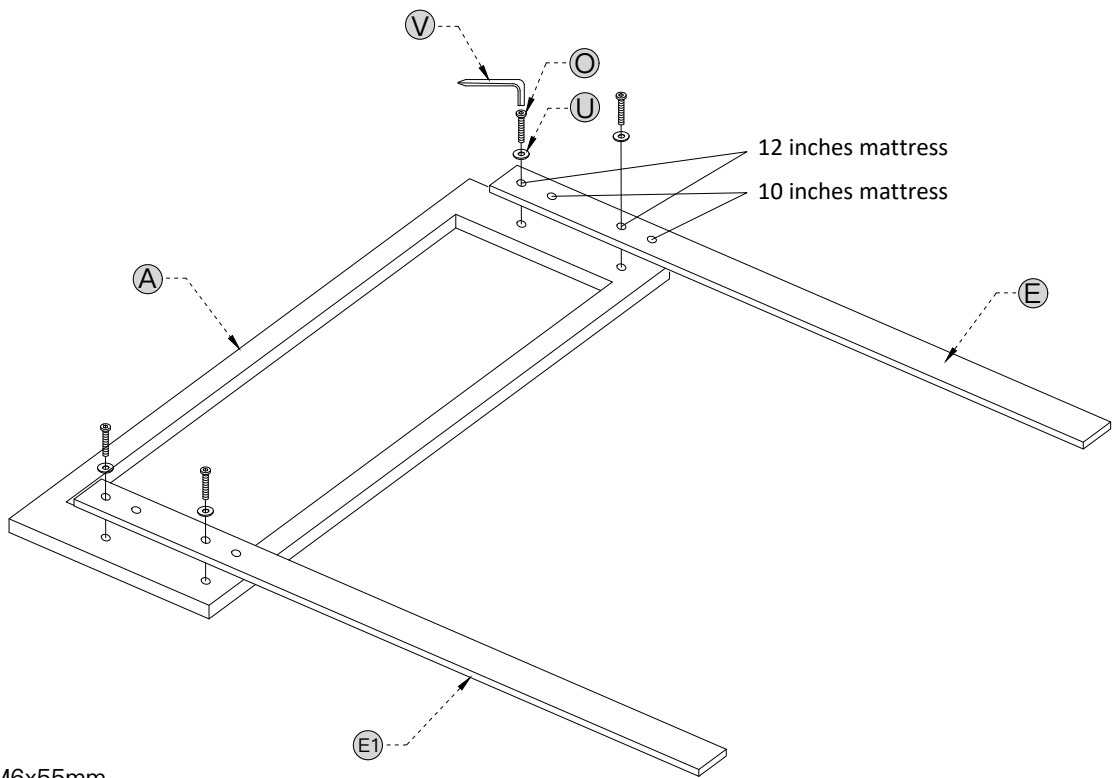
x1

Seventh layer



- Ⓐ Headboard

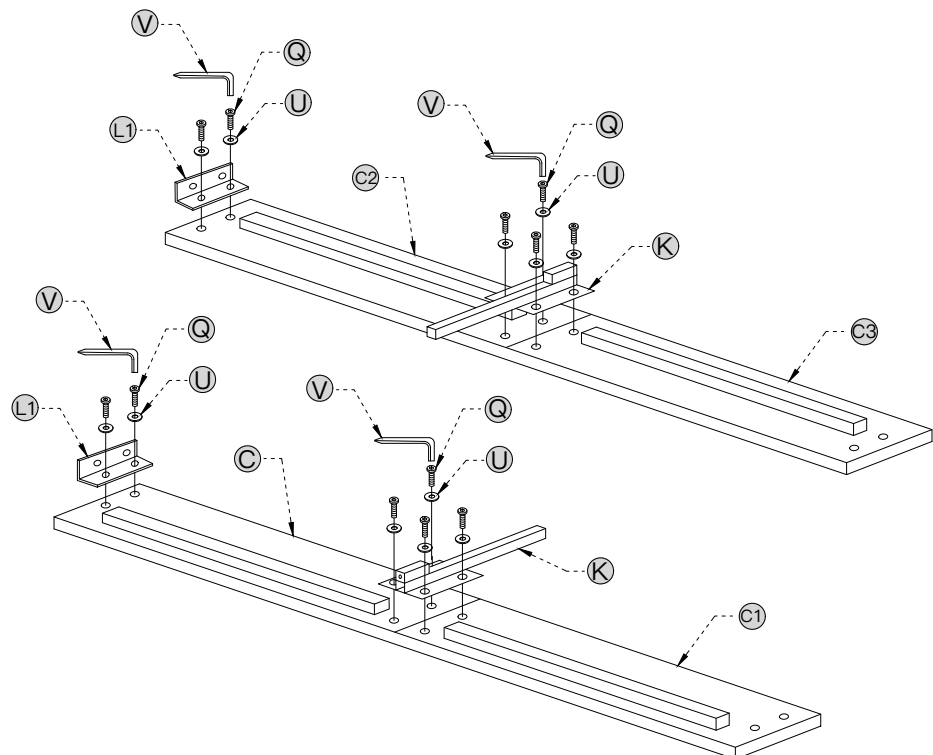
STEP 1 Screw the bolt (O), flat washer (U) and the headboard (A) on the column (E/E1) using allen wrench (V).



A		x1	
E		x1	
E1		x1	
O		x4	M6x55mm
U		x4	

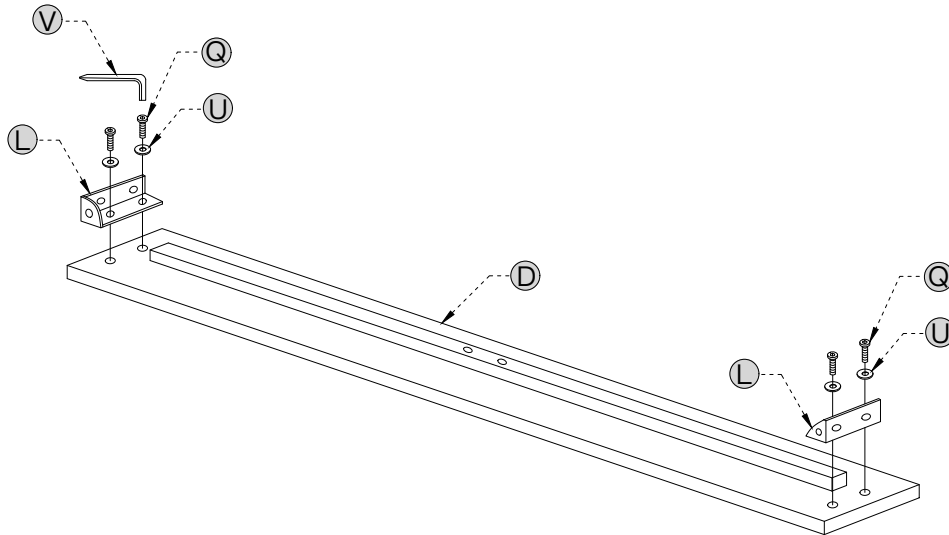
STEP 2 Screw side mid-leg (K), the bolt (Q) and flat washer (U) on the side panel (C/C1/C2/C3) using allen wrench (V).

Screw the angel iron (L1), the bolt (Q), the flat washer (U) on the side panel (C/C2) using allen wrench (V).



C		x1	
C1		x1	
C2		x1	
C3		x1	
K		x2	
L1		x2	
Q		x12	M6x18mm
U		x12	

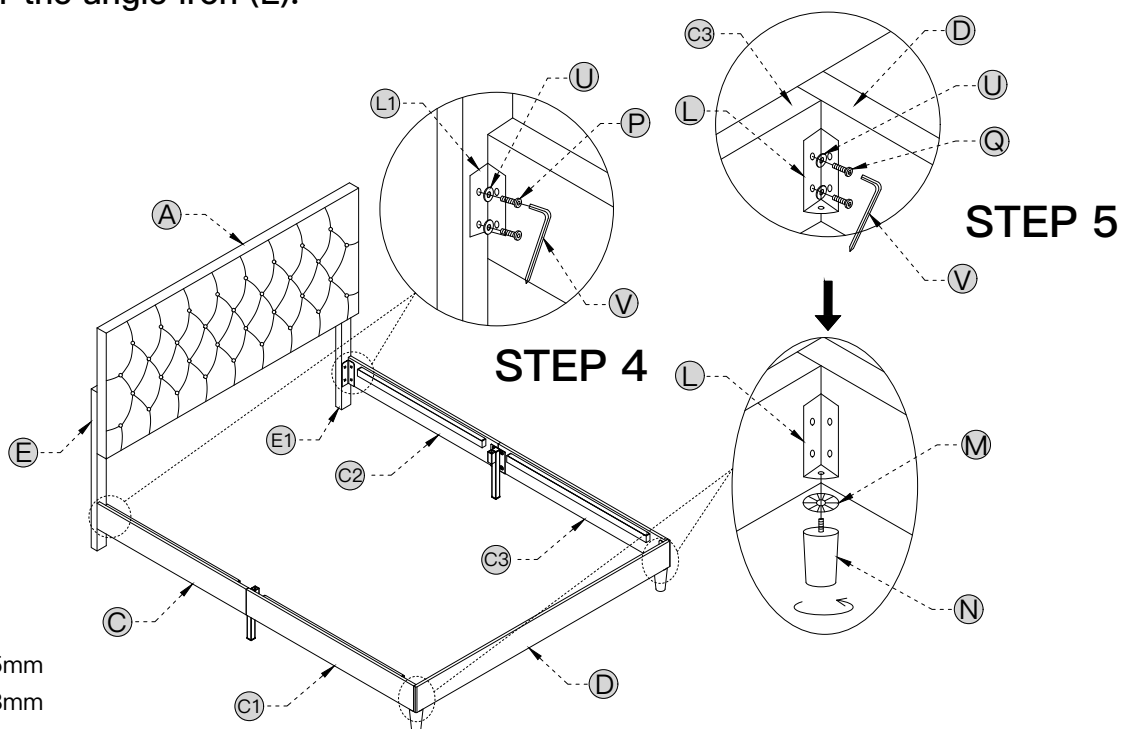
STEP 3 Screw the angel iron (L),the bolt (Q),the flat washer (U) on the footboard (D) using allen wrench (V).



D		x1	
L		x2	
Q		x4	M6x18mm
U		x4	

STEP 4 Screw the side panel (C/C2),the bolt (P),the flat washer (U) on the column (E/E1) using allen wrench (V).

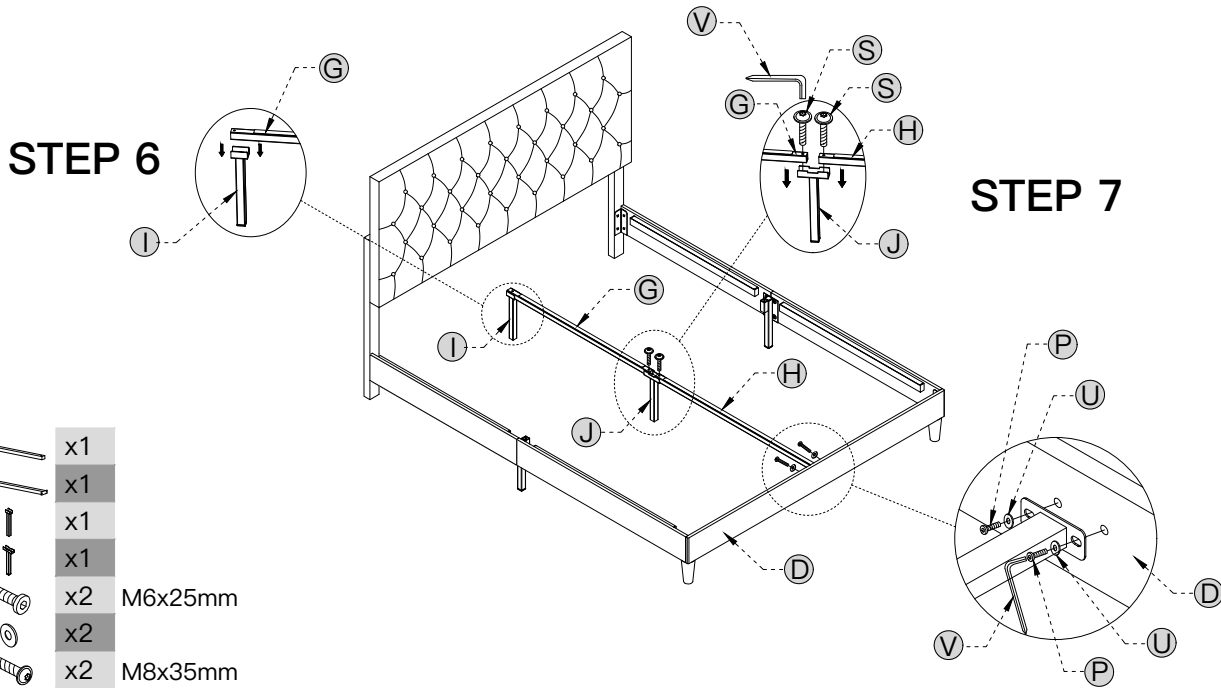
STEP 5 First screw the angel iron (L1),the bolt (Q),the flat washer (U) on the side panel (C1/C3) using allen wrench (V),then tighten the leg (N) and anti-slip gasket (M) under the angle iron (L).



M		x2	
N		x2	
P		x4	M6x25mm
Q		x4	M6x18mm
M		x8	

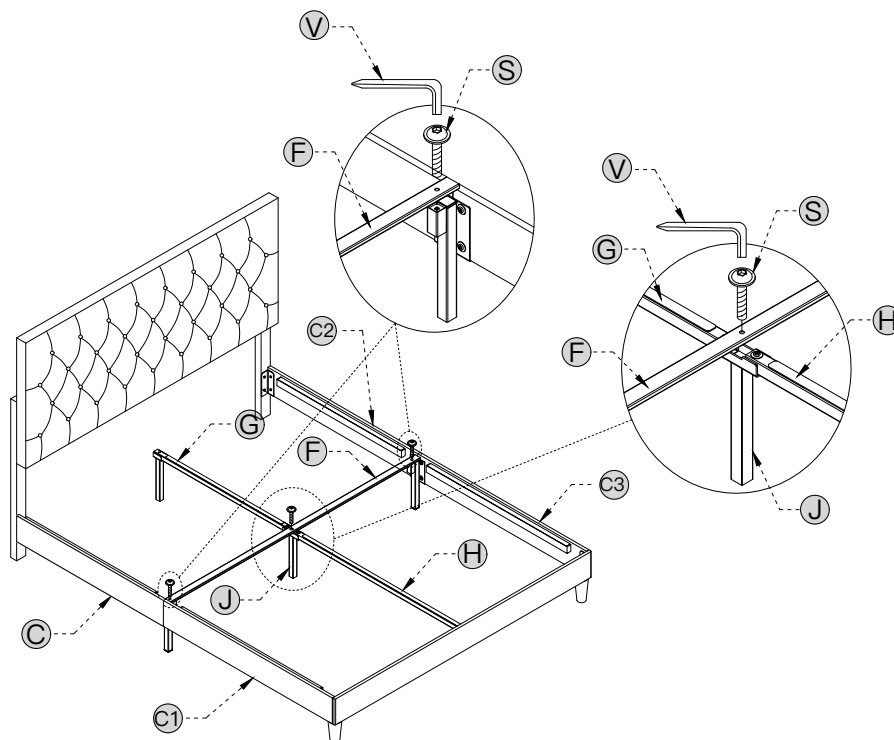
STEP 6 Put the center front pipe (G) on the front support leg (I). Note: Not screw the bolt.

STEP 7 First put the center front pipe (G) and the center back pipe (H) on the middle support leg (J), then screw the bolt (S) on them using allen wrench (V). Screw the center back pipe (H), the bolt (P) and the flat washer (U) on the footboard (D) using allen wrench (V).



G		x1	
H		x1	
I		x1	
J		x1	
P		x2	M6x25mm
U		x2	
S		x2	M8x35mm

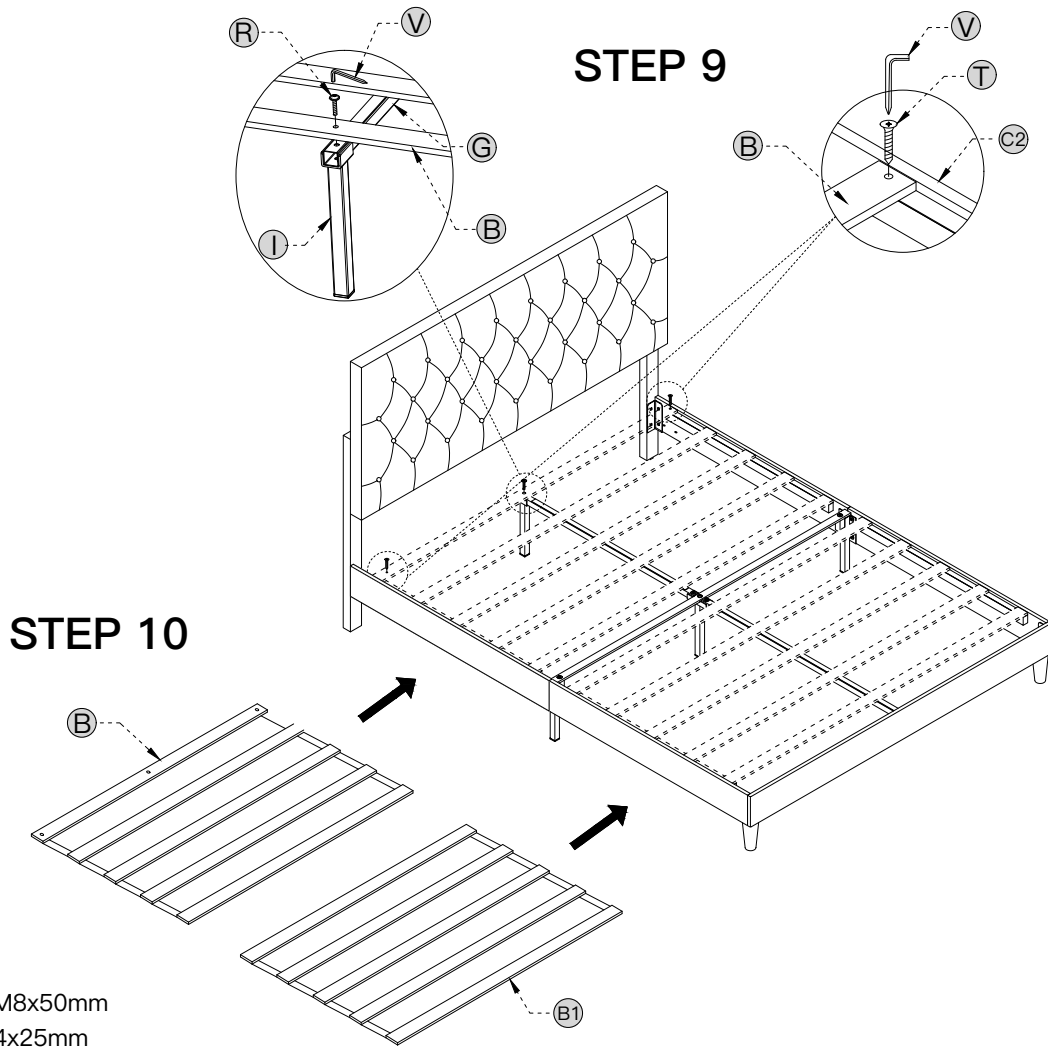
STEP 8 Screw the cross connecting pipe (F), the bolt (S) on the side mid leg (K) and middle support leg (J) using allen wrench (V).



F		x1	
S		x3	M8x35mm

STEP 9 Screw the bolt (R/T) and front wooden slat (M) on front support leg (J) and side panel (C/C2) using allen wrench (V) using allen wrench (V).

STEP 10 Put the front/back wooden slats (B/B1) on the upholstered bed.



Assembly completed!

Please enjoy the upholstered bed