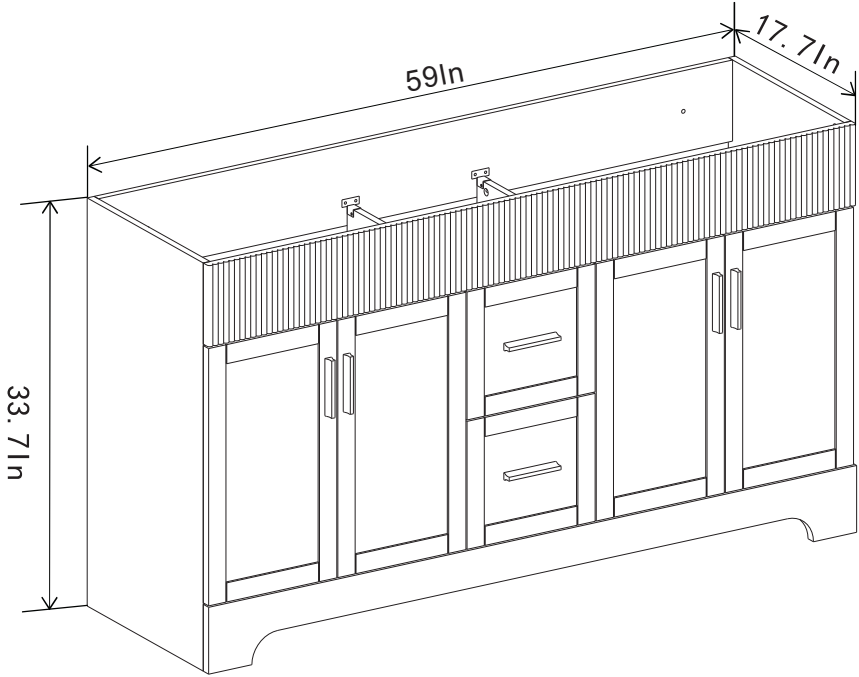
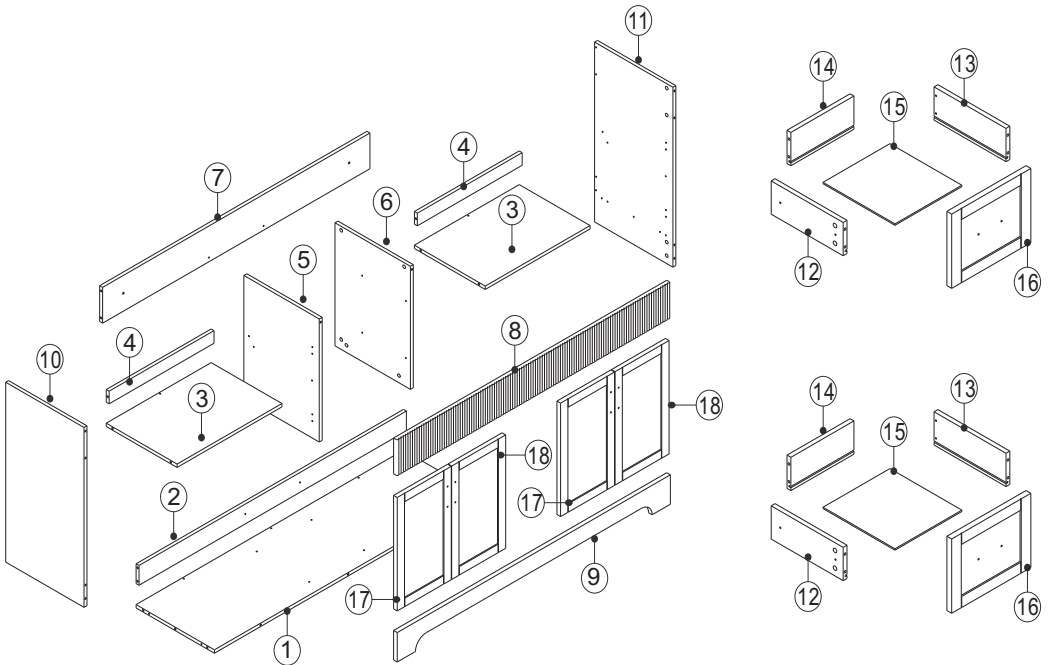


THKFBV130BK0A4/130GN0A4/130WH0A4
INSTALLATION INSTRUCTIONS









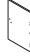







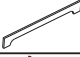




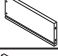
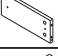
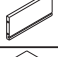

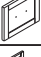


DIMENSIONS



ASSEMBLY DIAGRAM

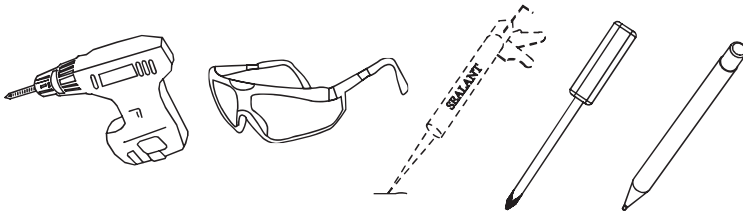


PARTS LIST

PARTS LIST			HARDWARE LIST		
No.	Description	QTY	No.	Description	QTY
1		1	19	 Three-in-one Connector	68
2		1	20	 Wood Plug	4
3		2	21	 ST4*14 Screws	72
4		2	22	 Slider	4
5		1	23	 Hinges	4
6		1	24	 Hinges	4
7		1	25	 Handle Screws M4x22	4
8		1	26	 Handle Screws M4x18	2
9		1	27	 Fixed buckle	2
10		1	28	 ST5*60 Screws For Fix On The Wall	2
11		1			
12		2			
13		2			
14		2			
15		2			
16		2			
17		2			
18		2			

CAUTION: Please confirm the parts list before installation

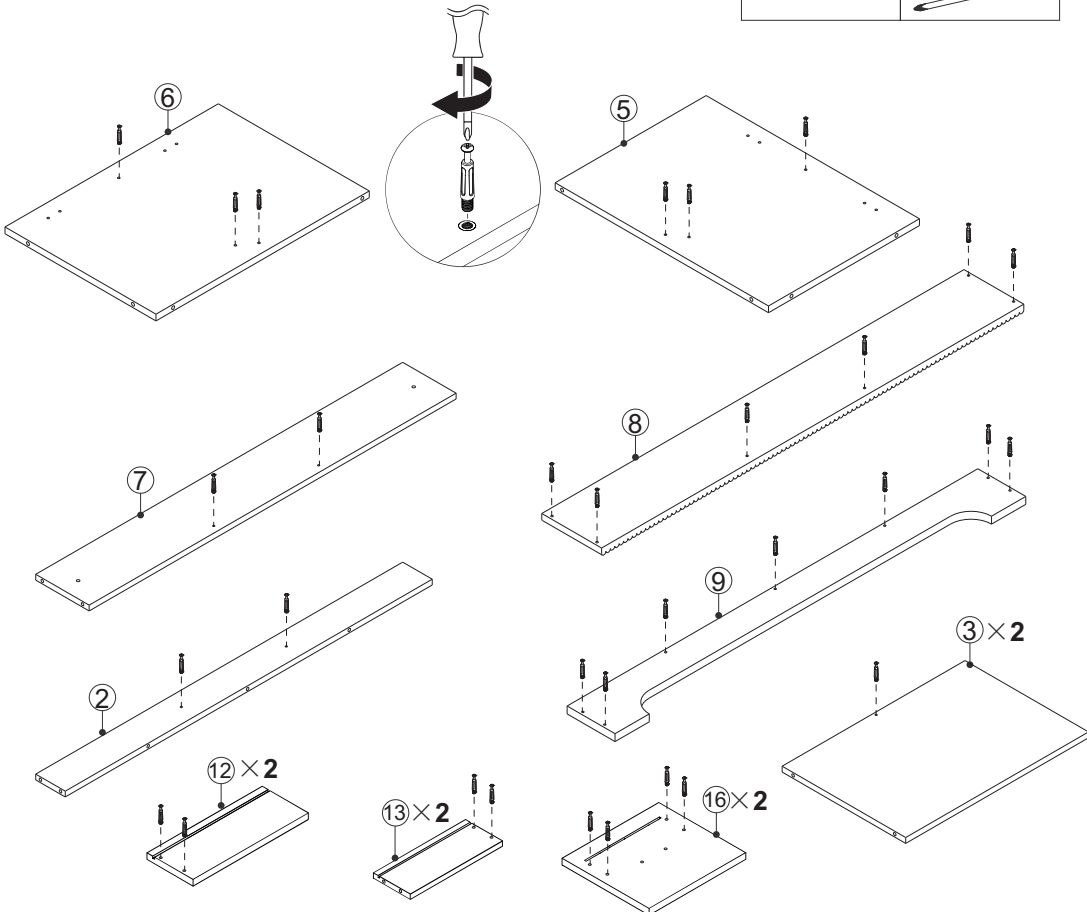
YOU MAY NEED (NOT SUPPLIED)



INSTALLATIONS

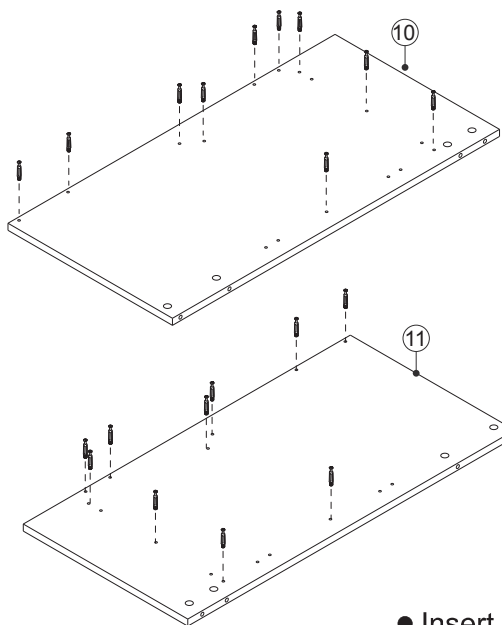
STEP 1

HARDWARE LIST	
(19) 	41 PCS
	

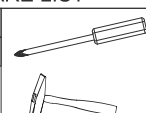
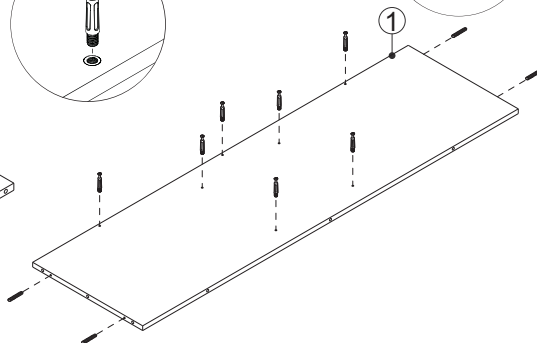
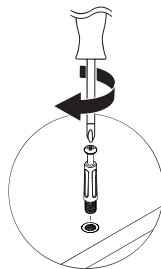


● Insert the Cam Screw into the shelves above.

STEP 2



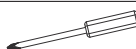
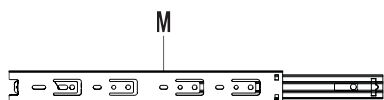
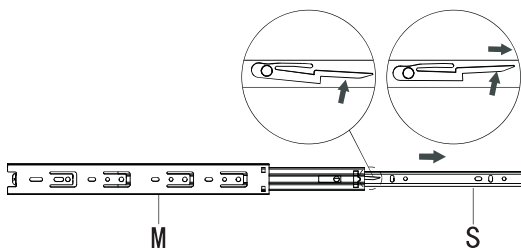
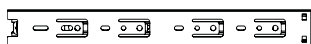
HARDWARE LIST	
19	27 PCS
20	4 PCS

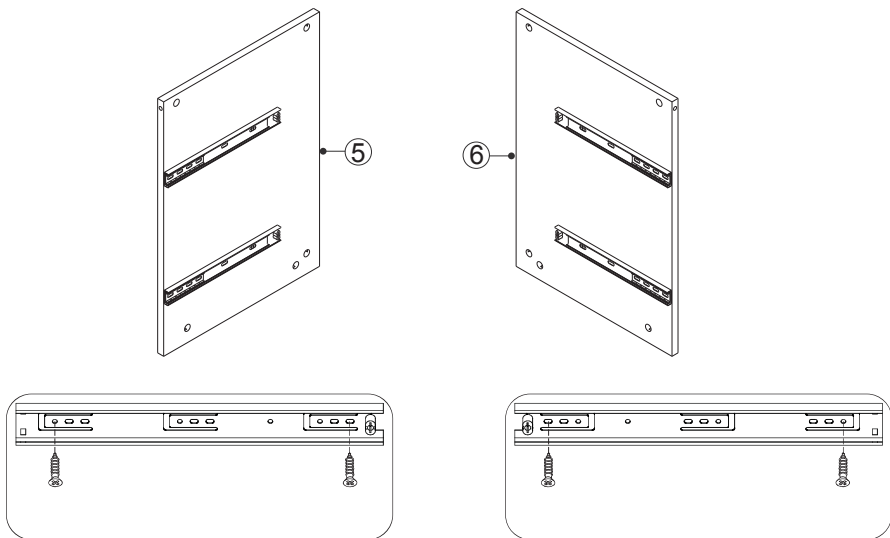
- Insert the wooden dowel pins into the shelves.

STEP 3

HARDWARE LIST	
21	8 PCS
22	4 PCS


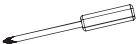



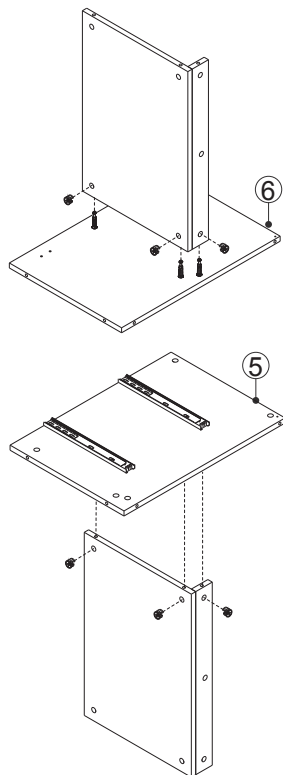
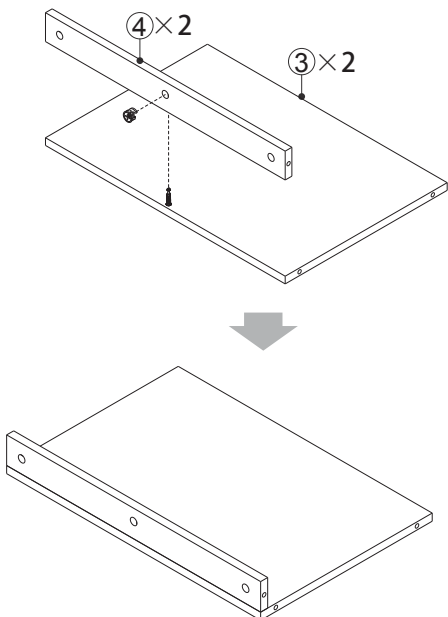
- Keep pressing here, then pull out to divide the slide.



- Refer to the illustration to fix the Slide rails to the board # 5 and # 6 with screws.

STEP 4

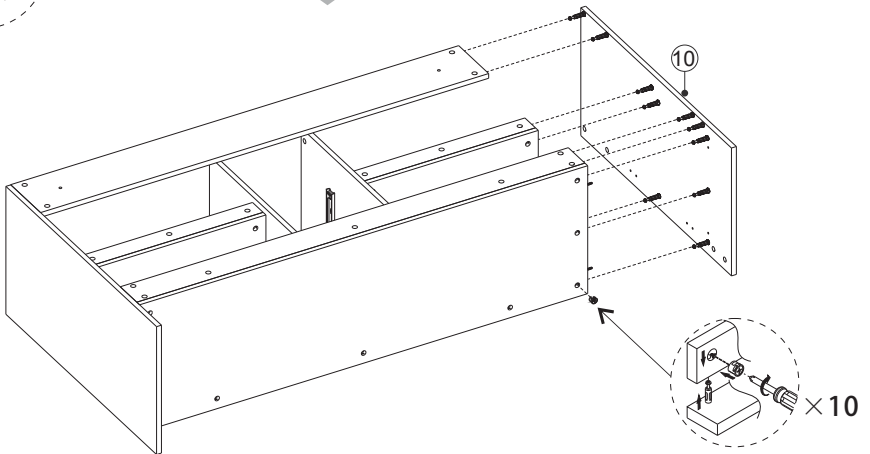
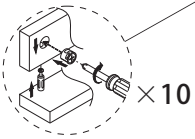
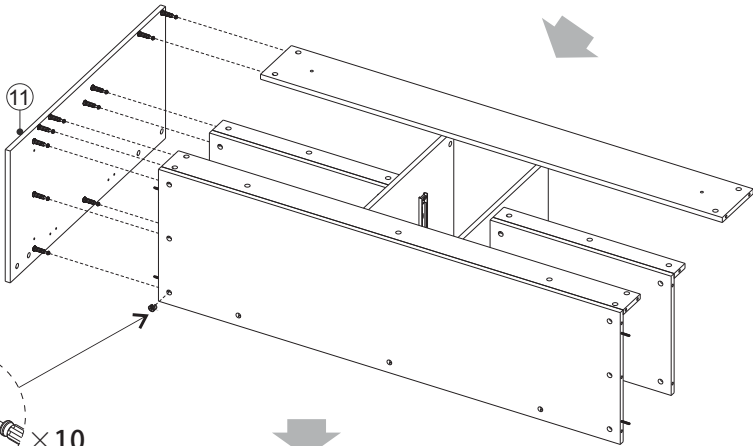
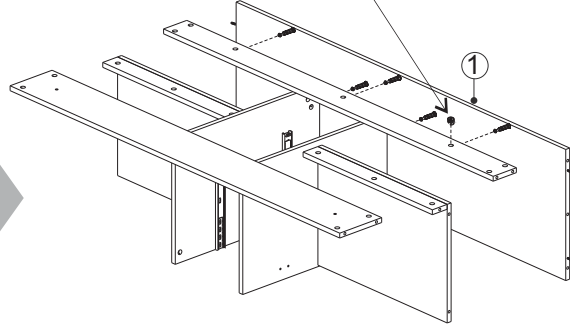
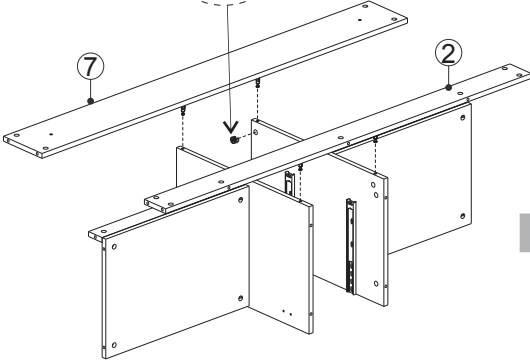
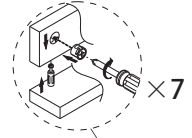
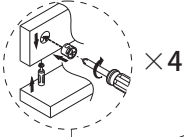
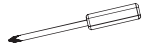
HARDWARE LIST		
①9		8 PCS
		




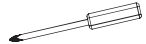
STEP 5

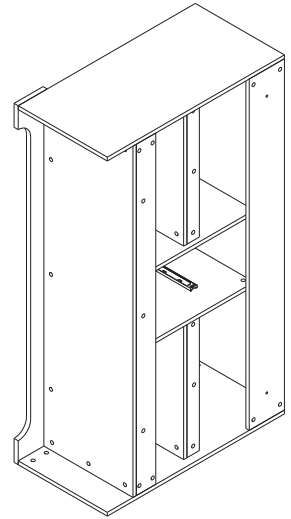
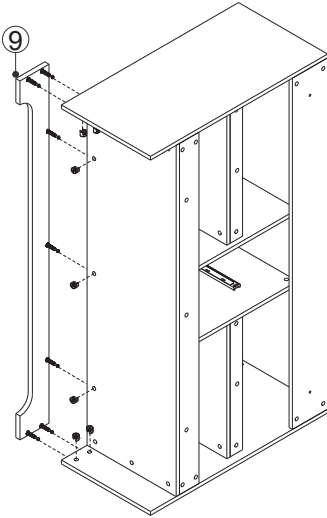
HARDWARE LIST

19 31PCS



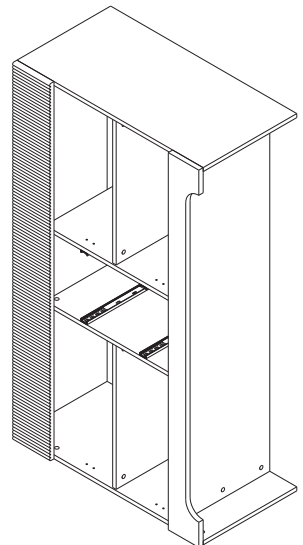
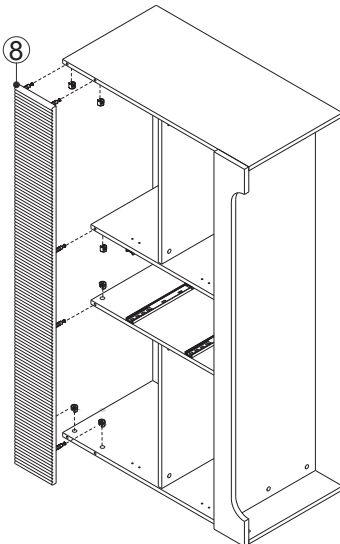
STEP 6

HARDWARE LIST		
19		7 PCS
		

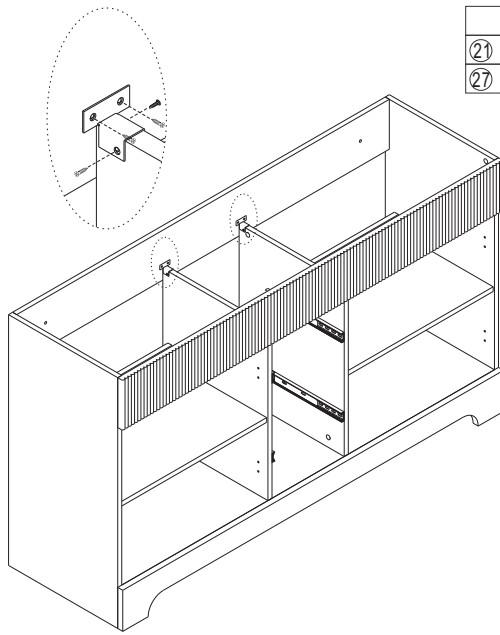


STEP 7

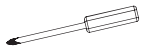
HARDWARE LIST		
19		6 PCS
		



STEP 8

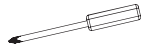
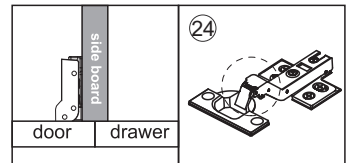
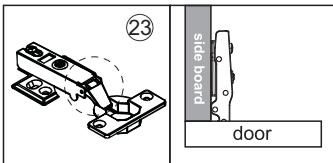


HARDWARE LIST		
⑳		8 PCS
㉑		2 PCS

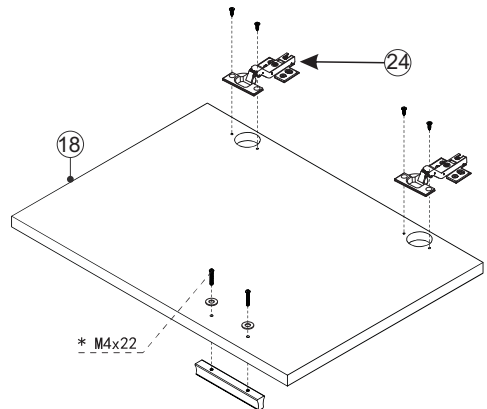
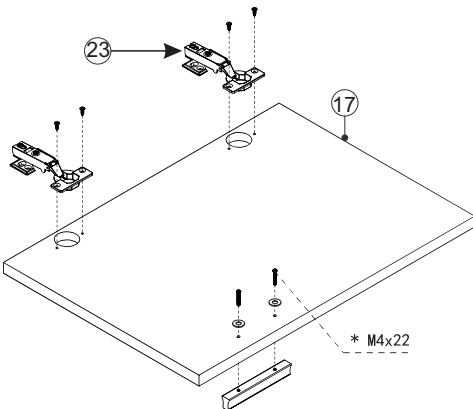


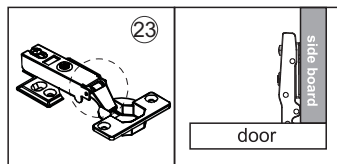
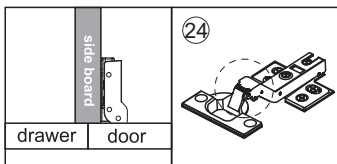
STEP 9

HARDWARE LIST		
㉓		4 PCS
㉔		4 PCS
㉕		4 PCS
㉖		16 PCS

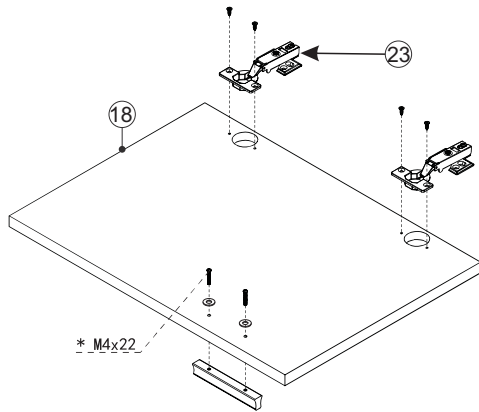
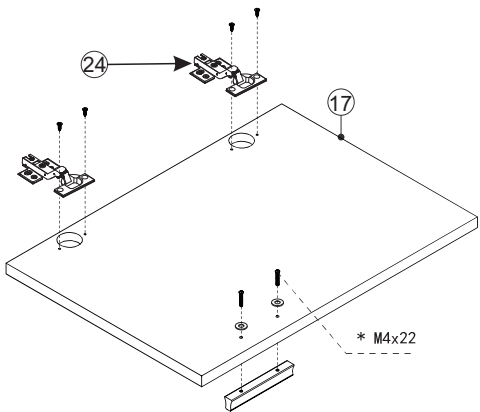



Left





Right

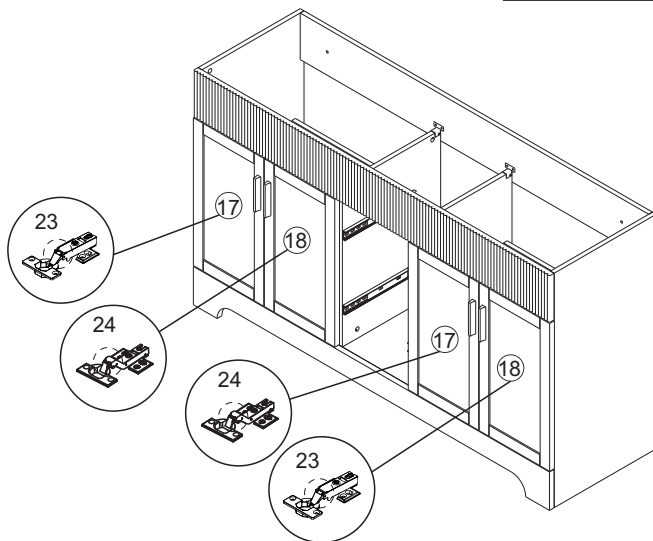


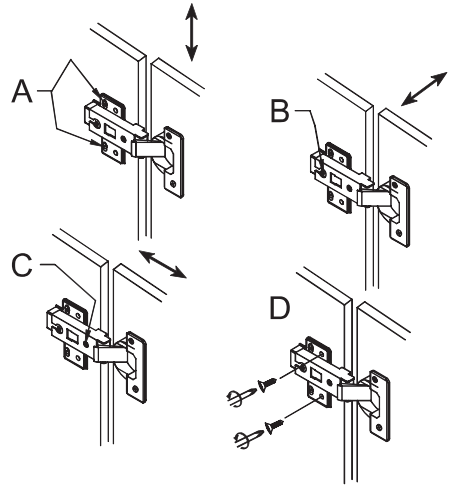
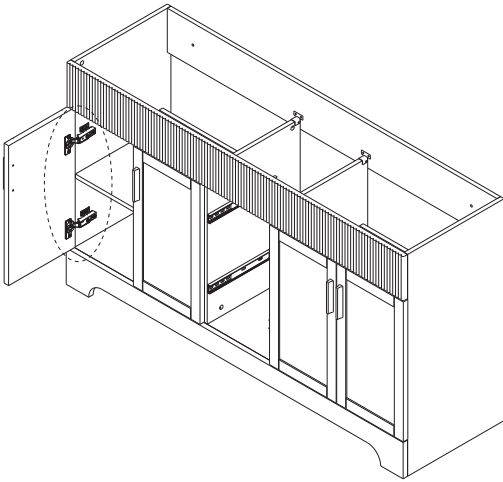
Note: see step 10 to adjust the door's position.

- Use (25) Screws to install the handle and apply (21) Screws to fix the hinge on the shelf #17. Then use (21) Screws to connect the hinge bracket to the cabinet. Repeat these steps for the other door.

STEP 10

HARDWARE LIST	
(21) 	32 PCS
	


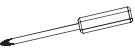


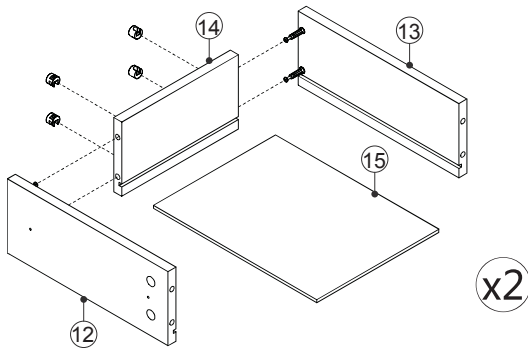


- A.Height adjustment C.Side to side adjustment
 B.Depth adjustment D.After adjustment A/B/C,tighten screws.

● To ensure proper cabinet alignment, refer to the above illustrations for instructions about adjusting the cabinet height, depth and lateral movement.

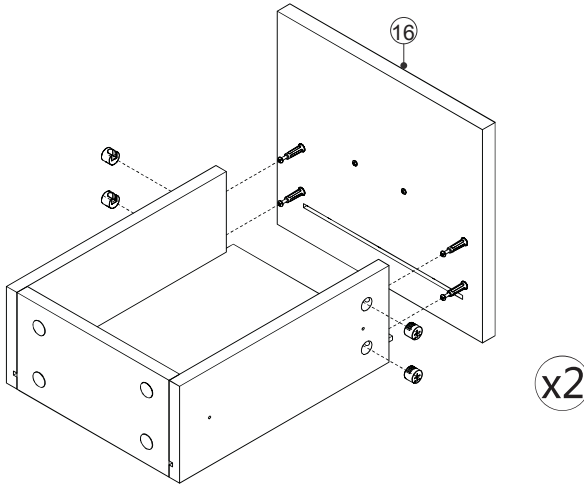
STEP 11

HARDWARE LIST	
19	8 PCS 
	



● Refer to the illustration,Connect the side plate #12, #13with the back plate #14with screws.Then insert the plate #15in to the finished shelf.

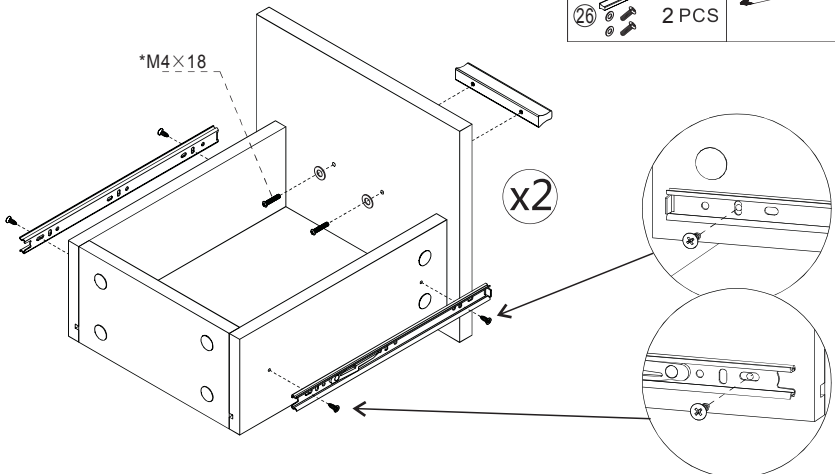
STEP 12



HARDWARE LIST		
(19)		8 PCS

- Refer to the illustration, Draw the panel # 16 is inserted into the prepared plate, Then tighten the cam lock with the cover.

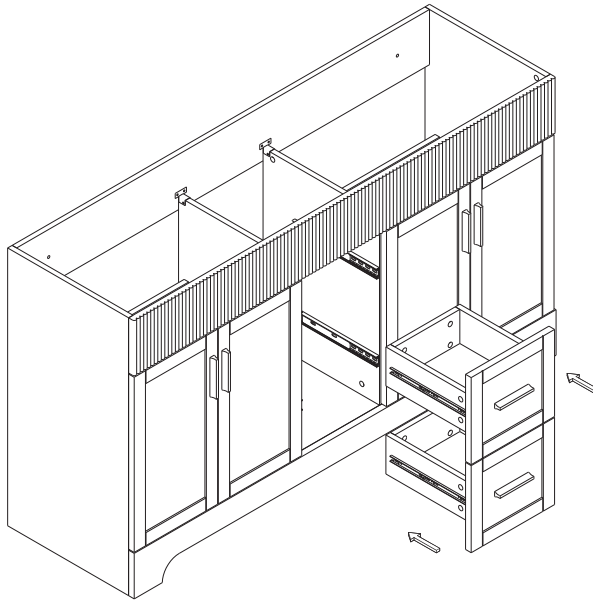
STEP 13



HARDWARE LIST		
(21)		8 PCS
(22)		4 PCS
(26)		2 PCS

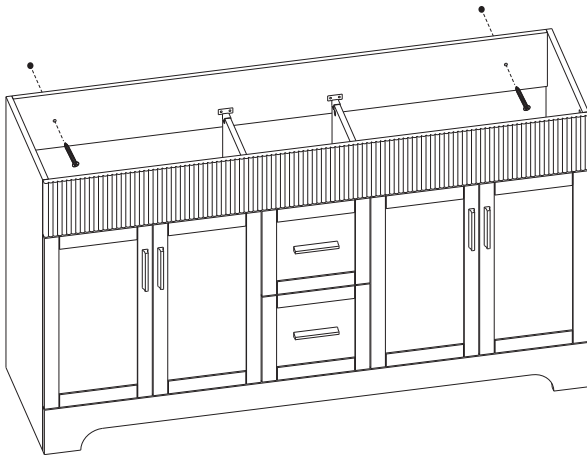
- Refer to the illustration, Apply Screws to fix the slides on the boards # 12 , # 13 . Use (26) Screws to install the handle.


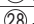
STEP 14

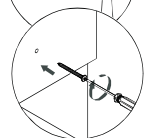
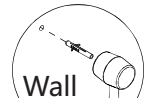
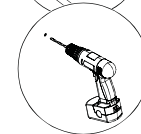
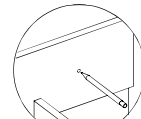
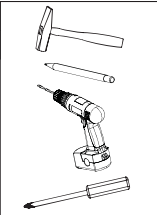


- If the drawers are not in the same level, please adjust the screws in the drawer box.
- Assembled drawers are loaded onto cabinets.

STEP 15

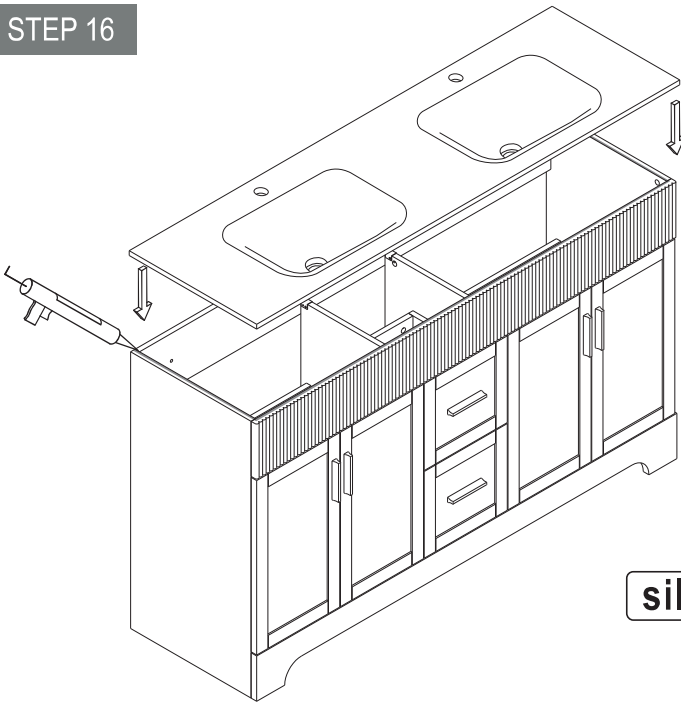


HARDWARE LIST	
 28	2 PCS
 28	2 PCS



- Refer to the illustration, Draw the spacing between the walls on the cabinet, punch holes in the wall, and fix the cabinet to the wall with screws.

STEP 16



silicone transparent

CARE AND CLEANING

1. Many cleansers contain abrasive and chemical substance which is not suitable for cleaning stainless steel, enamel, plating or plastic products. You may use mild cleansers or soaps to clean the surfaces. Wipe any splashes of cleaner solutions from the surface with a clean soft cloth.
2. Maintain ventilation in the bathroom and separate the dry area from the damp one if conditions permit. Try to open the door and windows of the bathroom to maintain adequate ventilation.
3. This cabinet is built to withstand normal bathroom humidity. For best results, keep this vanity dry and take necessary steps to minimize bathroom humidity by opening windows and doors and using the exhaust fan (if available).
4. To maintain the cabinet door, clean and wipe the door regularly with a soft cloth. Wipe condensation with a dry, soft cloth. Keep away from high temperatures.
5. Please do not sit, lean or step on the basin cabinet.



Thank you very much for purchasing from us.

We have always been trying to provide the best service and reliable products for every customer.

We sincerely hope you will be satisfied with our products and leave us FIVE STARS and POSITIVE feedback/ review in our page.

However, accident may happen sometimes, please contact us to resolve any issue before leaving a negative feedback.

Many thanks and welcome to our shop again!

Contact number: (323)-393-8260

E-mail: service@eclifeusa.com