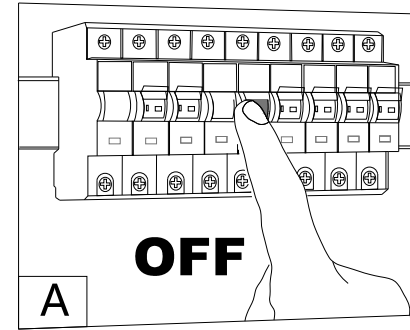


Lightsin

SKU: LI460055
Ratings: 220-240V~50/60Hz
Power: Max.40W



Turn off the switch

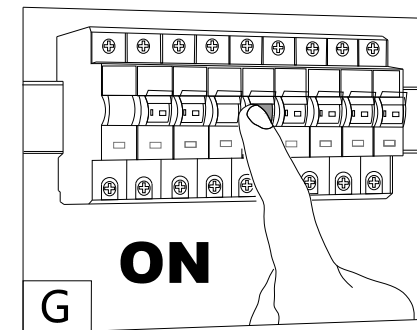
A

OFF

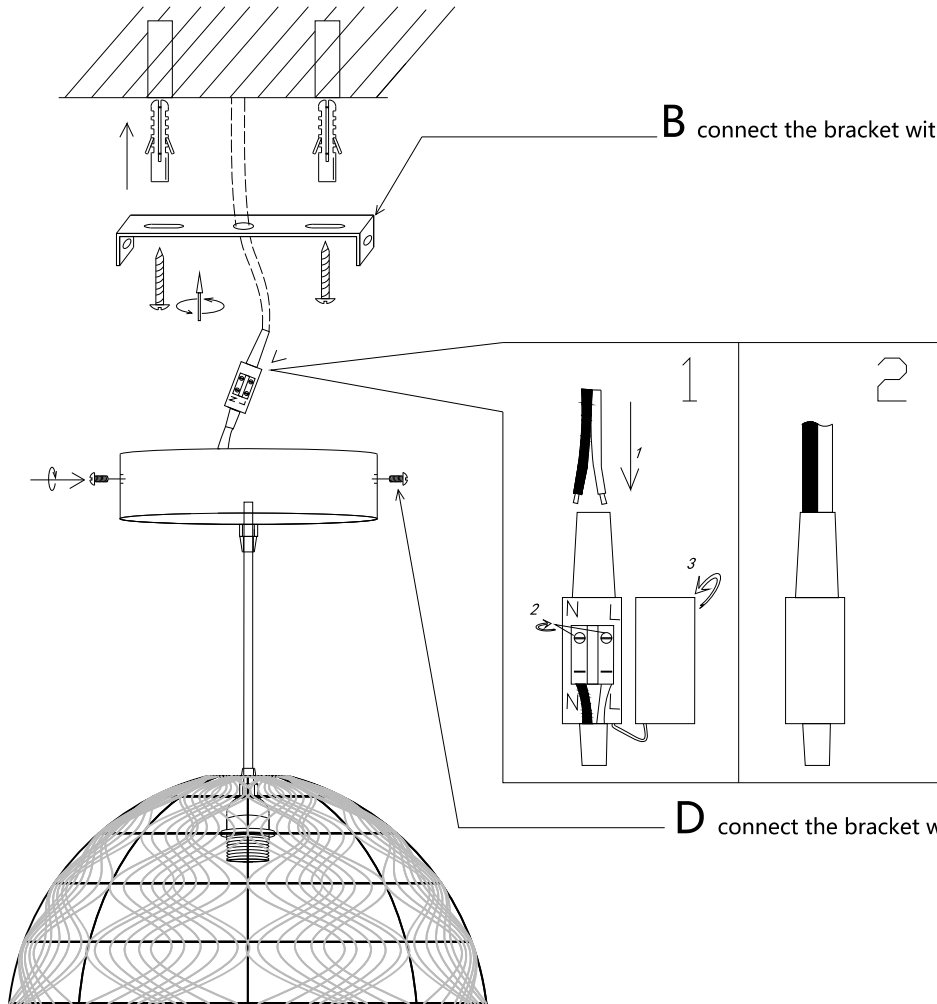
G

ON

Turn on the switch



B connect the bracket with junction box.



C connect the blue cable (N) from fixtures with the blue cable(N) from Junction box, connect the brwn cable(L) from fixtures with the brown cable(L)from the junction box.

D connect the bracket with the base by two screws

E twist the ring into the E27

F twist the bulb into the E27

