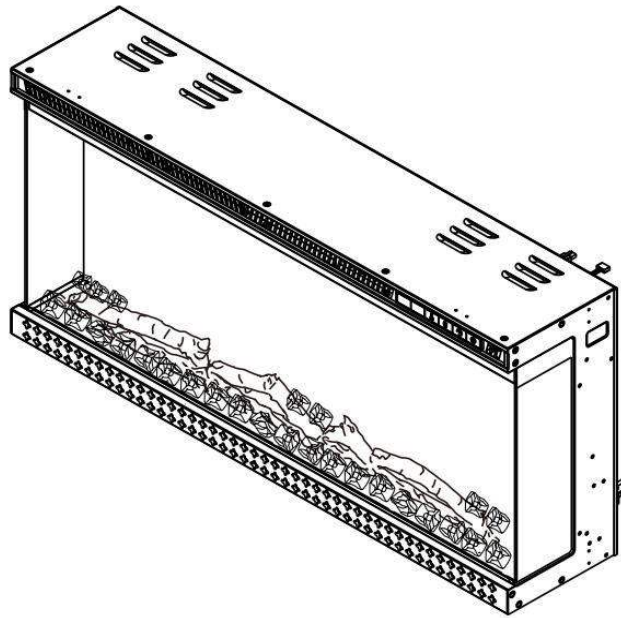


INSTRUCTION MANUAL

Electric Fireplace



UK
CA

IMPORTANT SAFETY INFORMATION!



WARNING



- **Read all instructions before using this heater!**
- This heater is hot **when in use**. To avoid burns, **DO NOT** let bare skin touch hot surfaces. If provided, use handles when moving this heater. Keep **combustible materials**, such as furniture, pillows, bedding, papers, clothes, and curtains at least **3 feet (0.9m)** from the front of **the heater**, and **keep them away from the sides and rear**.
- **Extreme caution** is necessary when any heater is used by or near children or invalids and whenever the heater is left **operating and unattended**.
- **DO NOT** operate any heater with a **damaged cord or plug** or after the **heater malfunctions**, has been **dropped** or **damaged in any manner**, Discard heater, or return to authorized service facility for examination and /or repair.
- **DO NOT** run power cord under carpeting. **DO NOT** cover power cord with throw rugs, runners, or similar coverings. **DO NOT** route power cord under furniture or appliances. Arrange power cord away from **traffic area**, and where it will not be tripped over.



WARNING



- **Connect to properly grounded outlets ONLY.**
- **DO NOT** insert or allow foreign objects to **enter any ventilation or exhaust openings**, as this may cause **electric shock** or **fire**, or **damage the heater**.
- To prevent a possible fire, **DO NOT** block air intakes or exhaust in any manner. Doing so could cause a fire. **DO NOT** use on soft surfaces, like a bed, where openings may become blocked.
- A heater has **hot and arcing or sparking parts inside**. **DO NOT** use it in areas where **gasoline, paint, or flammable liquids** are used or stored.
- **Use this heater only as described in this manual. Any other use not recommended by the manufacturer may cause fire, electric shock, or injury to persons.**
- **ALWAYS** plug heaters directly into a wall outlet/receptacle. **Never use with an extension cord or relocatable power tap (outlet/power strip).**
- **DO NOT** place the heater near a bed because objects such as pillows or blankets can fall off the bed and be ignited by the heater.
- **NEVER** use this heater in **bathrooms, laundry rooms**, or any other location where the heater could fall into a **bathtub** or **pool**, **become damp** or **come in contact with water**.
- **AVOID FIRE!** Regularly inspect all air vents to make sure they are free from dust, lint, or other


Blockage. **Unplug the unit** and clean with a **vacuum ONLY**. **DO NOT** rinse or get wet.

- **ALWAYS** mount to wall bracket(or recessed to wall / or install free standing legs) before use. **DO NOT** set on the floor, or other surface, to use.
- **NEVER** use a wall mount bracket from another manufacturer.
- This product is **not intended** to be a **primary heat source**. It is for **supplemental heat only**.
- **INDOOR use only! NEVER** use this heater **outdoors!** Doing so may result in **electric shock!**
- **Risk of electric shock! DO NOT OPEN!** No user-serviceable parts inside!
- **ALWAYS** turn this heater off before unplugging it from the outlet.
- **ALWAYS disconnect** this unit from the **power** supply **before** performing any assembly or cleaning, or before relocating the electric fireplace.
- **NEVER** leave this heater unattended. **ALWAYS** unplug this heater when not in use.
- **ALWAYS** store this heater in a dry location. **NEVER** use the fireplace if it has become wet.
- **NEVER** plug this heater into an outlet that is **old, cracked**, or has any **loose wires or connections**. Plugging this heater into a faulty outlet could result in **electric arcing** within the outlet that could cause the **outlet to overheat or catch fire**.
- Children of less than 3 years should be kept away unless continuously supervised.

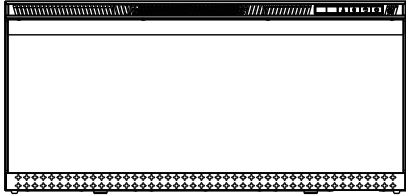


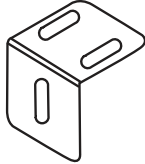
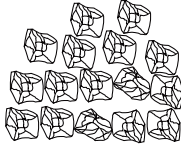



Children aged from 3 years and less than 8 years shall only switch on/off the appliance provided that it has been placed or installed in its intended normal position and they have been given supervision or instruction concerning use of the appliance in safe way and understand the hazards involved. Children aged from 3 years and less than 8 years shall not plug in, regulate and clean the appliance or perform user maintenance.

- **ALWAYS** check your heater cord and plug connections with **each use!**
 - i) **MAKE SURE** the plug fits tight in the outlet! Faulty wall outlet connections or loose plugs can cause the outlet to overheat.
 - ii) **Heaters draw more current** than small appliances. **Overheating** may occur even if it has not occurred with the use of other appliances.
 - iii) During use **check frequently** to see if the **plug outlet or face plate** is **HOT!**
 - iv) If the outlet or face plate is **HOT**, **discontinue use immediately** and have a qualified electrician inspect and/or replace the faulty outlets.

PREPARATION

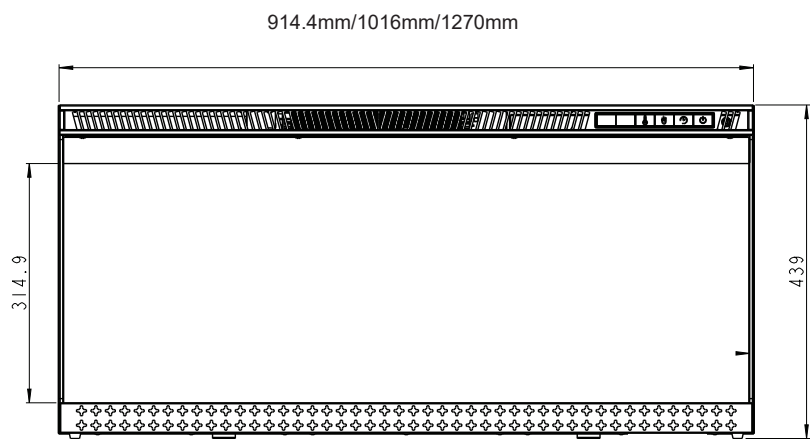
 This product includes a **GLASS panel!** Always use **extreme caution** when handling **glass**. Failure to do so could result in **personal injury or property damage**.

Remove all parts and hardware from the carton and place them on a clean, soft, dry surface. Parts and assembly steps are grounded for wall-hanging or recessing use. Check the parts list to make sure nothing is missing. Dispose of packaging materials properly. Please recycle whenever possible. You will need the following tools (not included): Phillips screwdriver; stud finder; level; tape measure; electric drill; 1/4" wood drill bit, hammer.

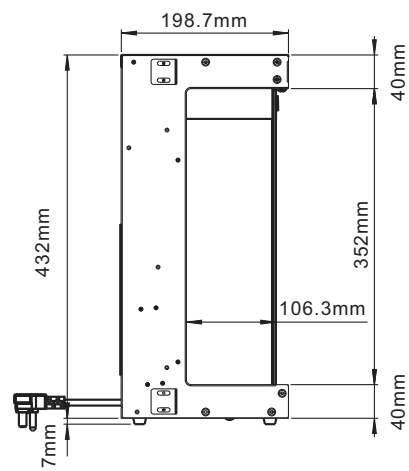
A Fireplace  1PC	B 4X12MM Screw  12PCS	
C 4X25MM Screw  4PCS	D fasten bracket  4PCS	E Crystal stone  2BAGS
F Carbon log  1BOX	G Rubber Mat  4PCS	E Remote Control  1PC

NOTE: Log and crystal in same carton.

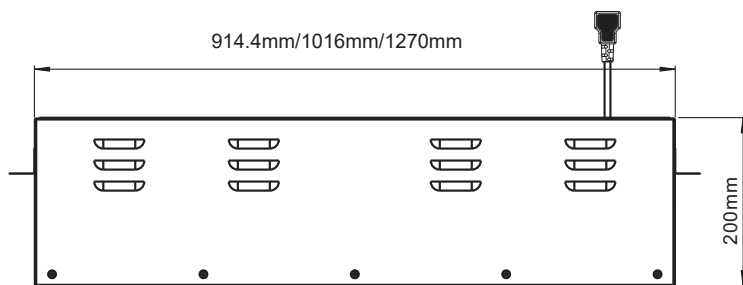
Specification and Dimension



Front View



Side View



Top View

PRODUCT ASSEMBLY

FREESTANDING INSTALLATION

1

Remove four pcs of black screws out of appliance, please see Fig.1

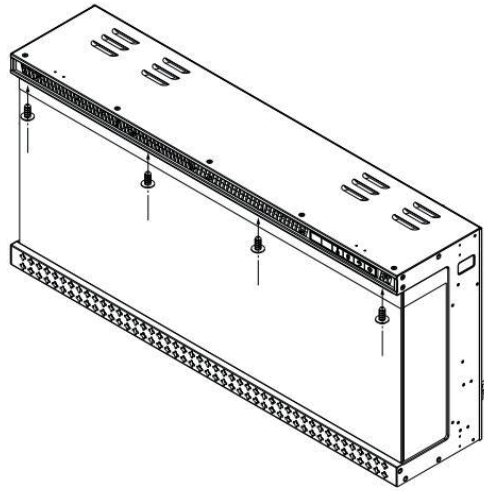


Fig1

2

Take and pull up the front tempered glass out off appliance. See Fig.2

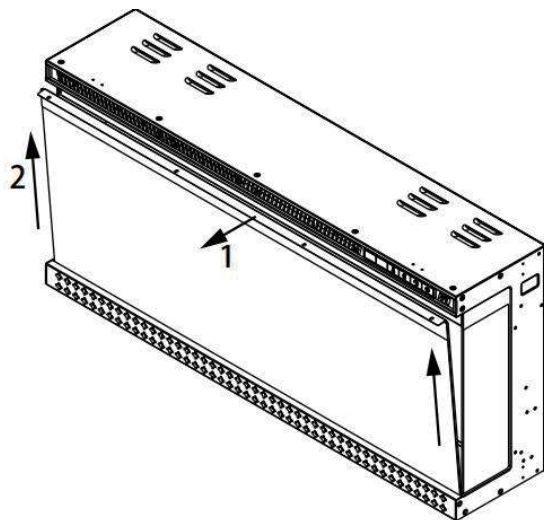


Fig2

PRODUCT ASSEMBLY

FREESTANDING INSTALLATION

3

Take the logs' carbon box out off appliance, See Fig.3.

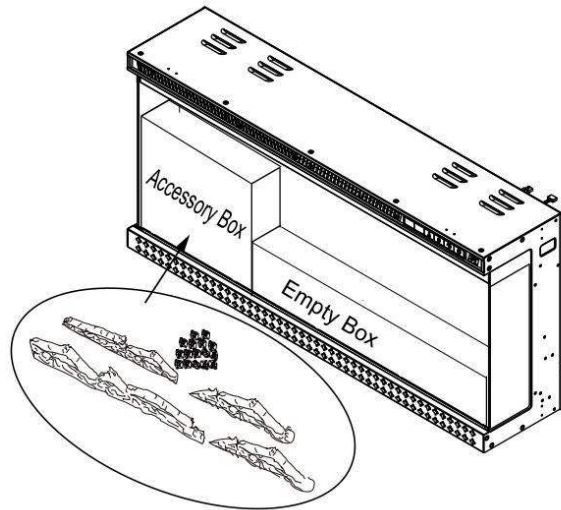


Fig3

4

Lay the heater on the floor or a soft place, install the rubber mats "G" with 4pcs screws "B" (4x10mm) as provided see Fig.4.

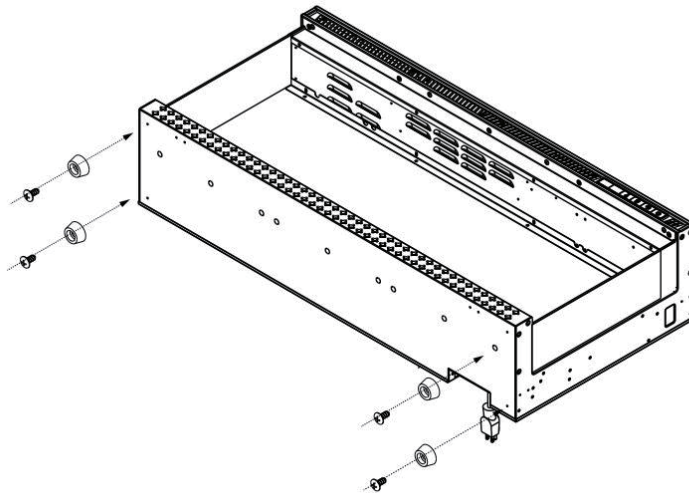


Fig4

PRODUCT ASSEMBLY

FREESTANDING INSTALLATION

5

Put the crystal stone "E" and carbon log "F" to bed. see Fig.5.

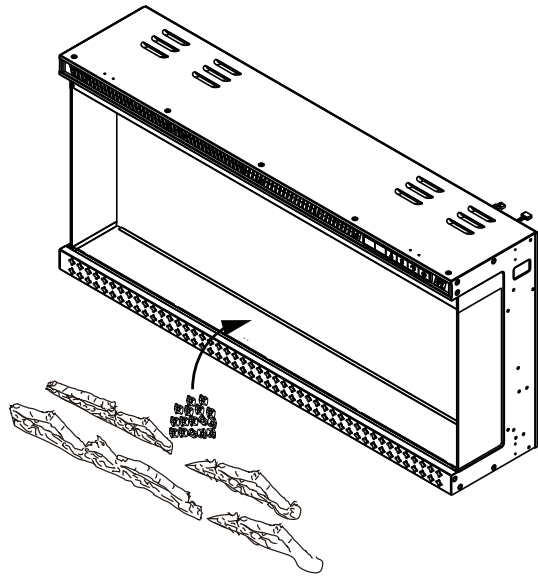


Fig5

6

Insert and restore the tempered glass to original location. see Fig.6.

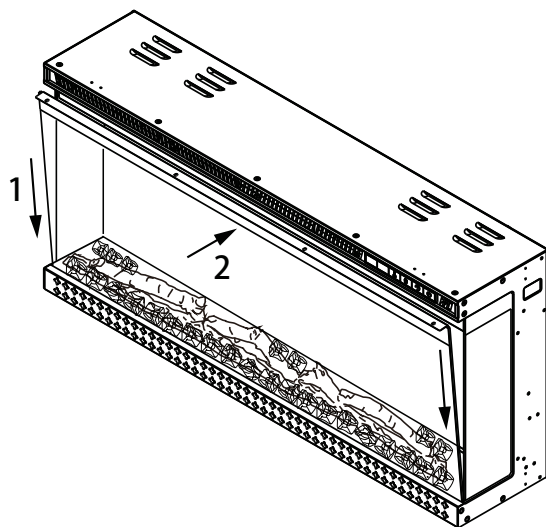


Fig6

PRODUCT ASSEMBLY

FREESTANDING INSTALLATION

7

Use original 4x8mm screws to fasten the tempered glass. see Fig.7.

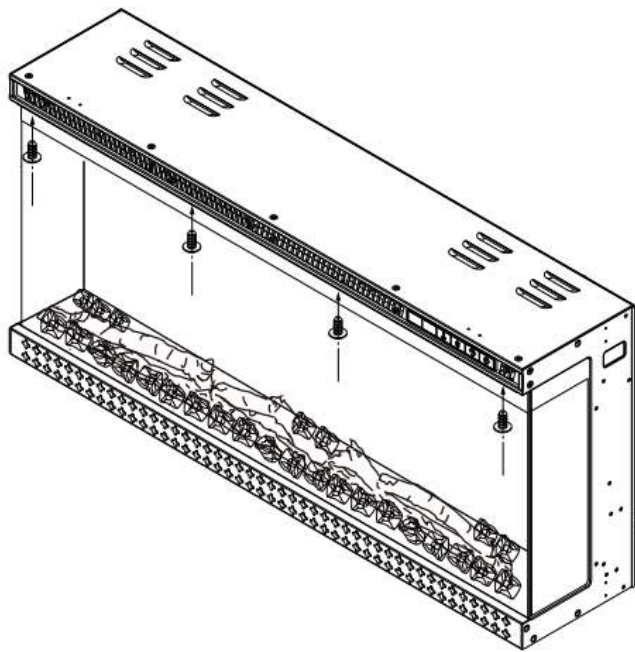
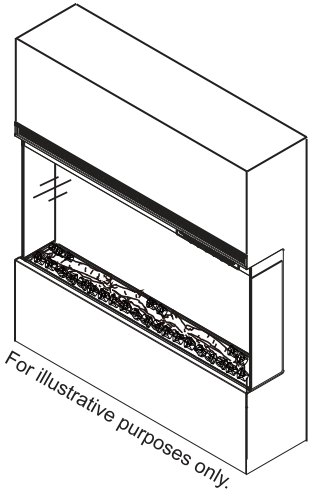


Fig7

Your appliance is capable of three unique installation configurations: three-sided, two-sided, and single-sided.

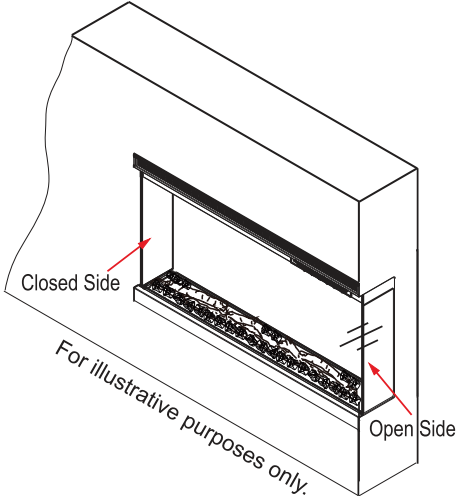
Three-Sided Viewing Installation

Appliance is fully recessed into the wall with both sides open:
Front, left, and right side views.



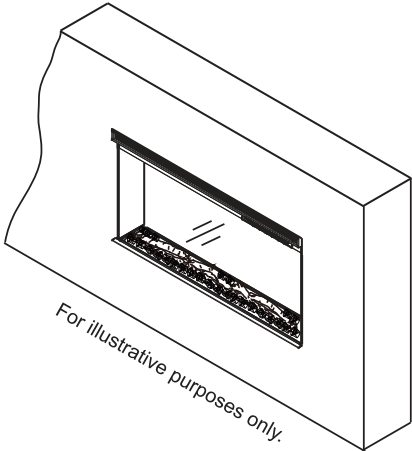
Two-Sided Viewing Installation

Appliance is fully recessed into the wall with one side open:
Front view and left/right side view, depending on desired open/closed sides.



Single-Sided Viewing Installation

Appliance is fully recessed into the wall: **Left and right side views are covered.**



PRODUCT ASSEMBLY

RECESSED TO WALL INSTALLATION (fasten from front)



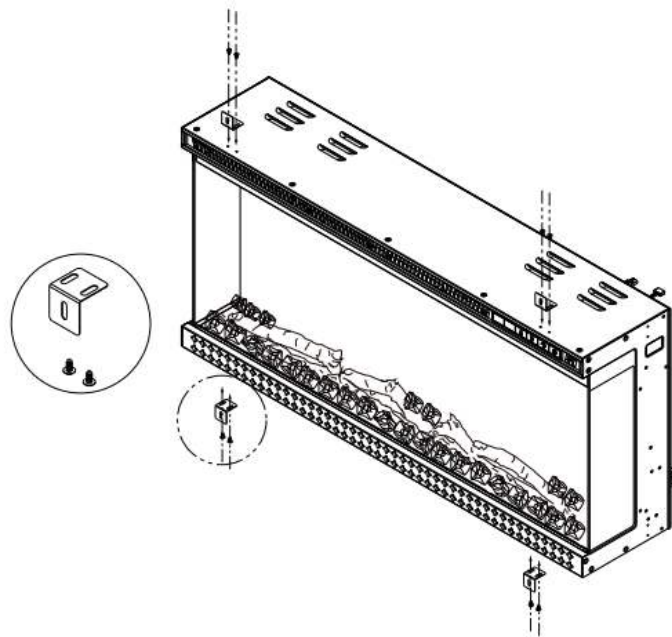
NOTE:



1. Appliance is NOT load-bearing. Carefully consider weight of finishing materials when constructing rough framing.
2. Ensure installation complies with all local building codes and requirements.
3. All viewing options (single-sided, two-sided [left and right], and three-sided) use the same framing dimensions.

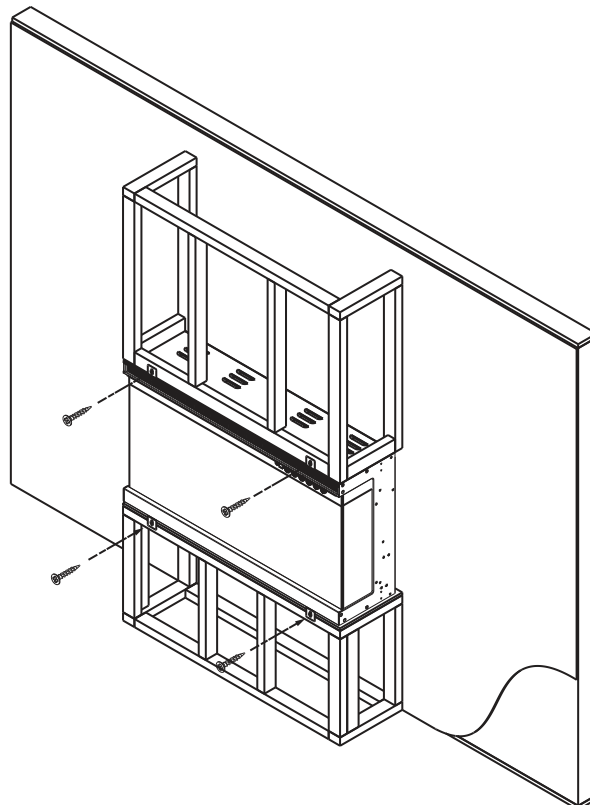
PRODUCT ASSEMBLY

Attach the fasten bracket "D" to the heater with two 8*10mm screws, see Fig A.



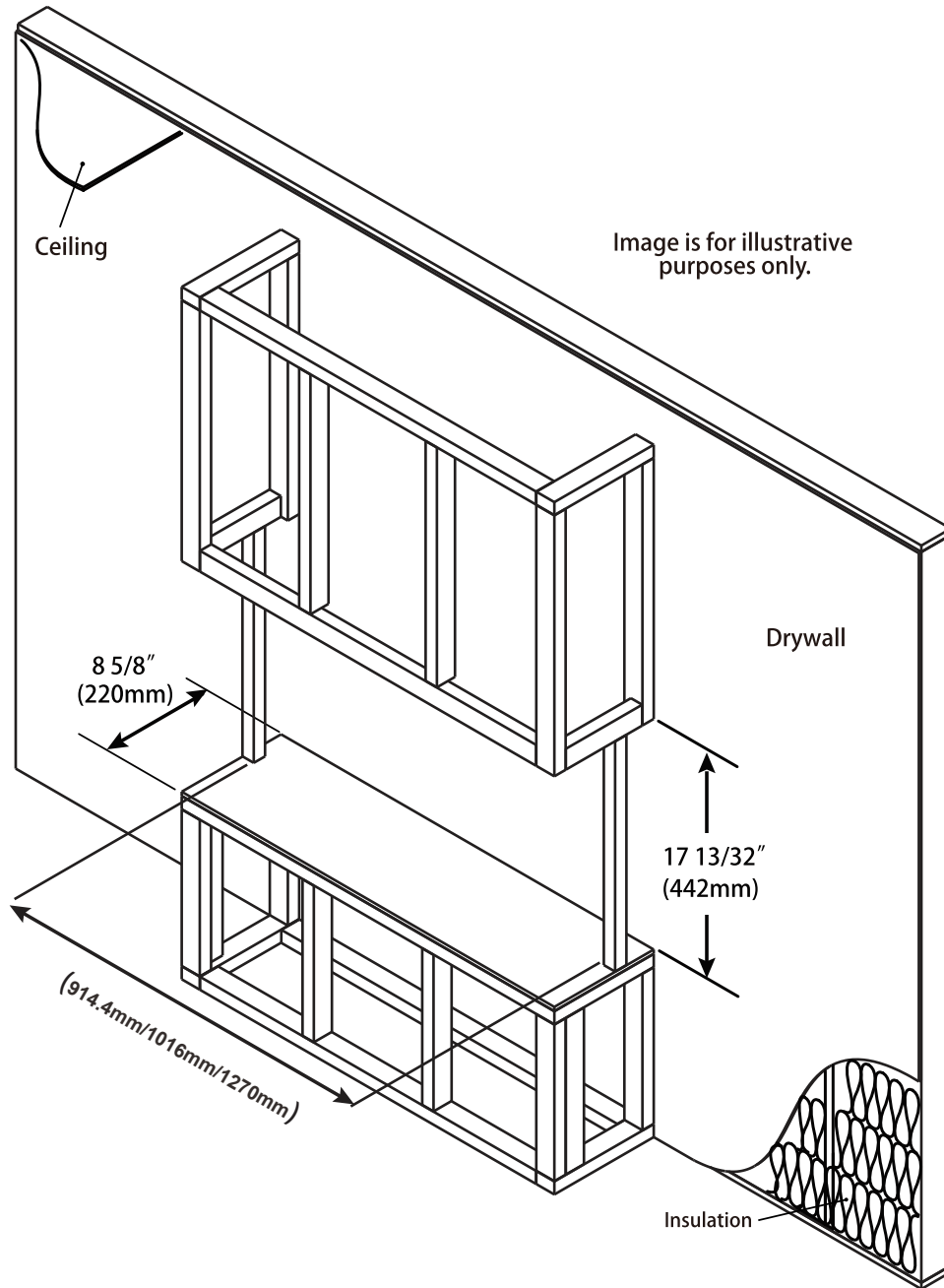
FigA

Put the fireplace to mantel hole. Use 4pcs of 4x25mm screws "C" to fasten the bracket at front .



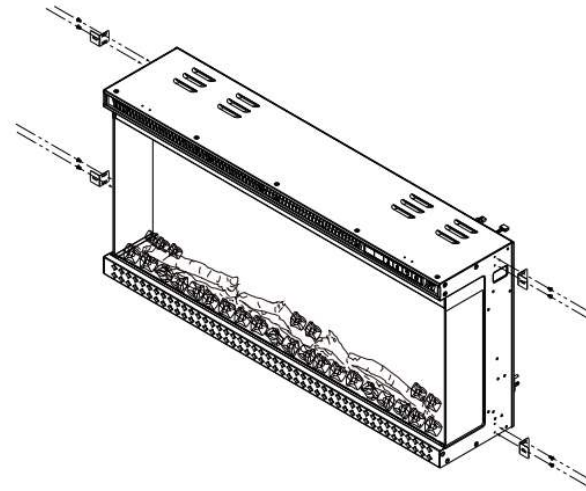
PRODUCT ASSEMBLY

RECESSED TO WALL INSTALLATION (fixed at both sides)



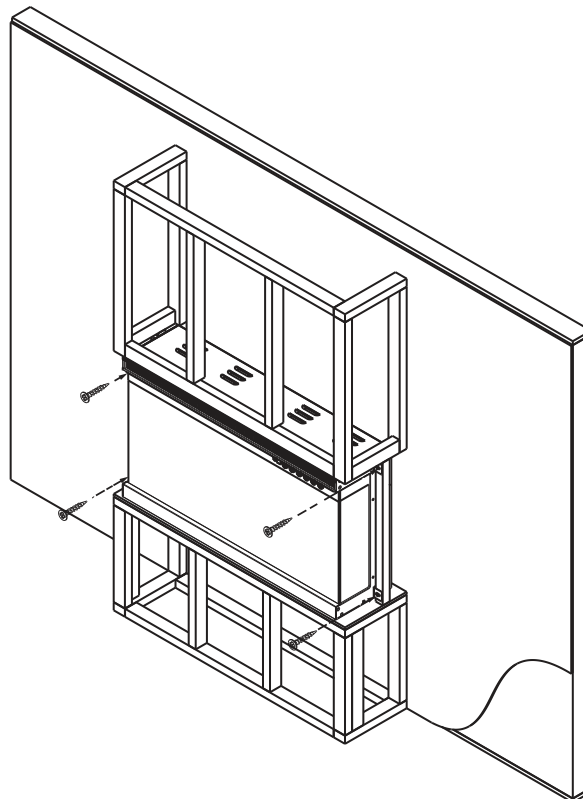
PRODUCT ASSEMBLY

Attach the fasten bracket "D" to the heater (at both sides) with two 8*10mm screws, see Fig B.



FigB

Put the fireplace to mantel hole. Use 4pcs of 4x25mm screws "C" to fasten the bracket at front .



WARNING

TURN OFF THE APPLIANCE COMPLETELY AND LET COOL BEFORE SERVICING. ONLY A QUALIFIED SERVICE PERSON SHOULD SERVICE AND REPAIR THIS ELECTRIC APPLIANE.

WARNING

Read and understand this entire owner's manual, including all safety information, before plugging in or using this product. Failure do to so could result in electric shock, fire, serious injury, or death.

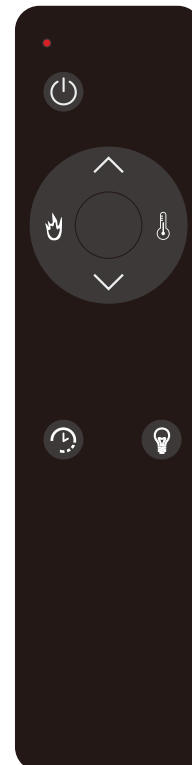
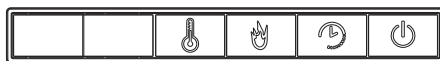
Power

Plug the power cord into a 220-240 Volt 7 Amp outlet (see IMPORTANT SAFETY INFORMATION on Pages 2 and 3). Make sure the outlet is in good condition and that the plug is not loose. NEVER exceed the maximum amperage for the circuit. DO NOT plug other appliances into the same circuit.






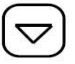

Methods of Operation

- This electric fireplace can be operated either by the switches located on the top right hand side of the fire or by supplied remote control.

NOTE: The touch control panel will automatically turn off after a few seconds when not in use. This is a normal energy-saving feature.



Touch panel/Remote control Operation

BUTTON	FUNCTION	ACTION&INDICATION
 POWER	ON: Enables control panel functions and remote control.Turn on flame effect. OFF: Disables control panel functions and remote control.Turn off flame effect.	<ol style="list-style-type: none"> 1. Press once. Indicator light turns on. Power turns on.All functions enabled. 2. Press again,power turn off
 FLAME	FLAME button: <ol style="list-style-type: none"> 1.Controls flame color and flame brightness (panel buttons only). 2.Press and hold for 3 seconds to switch between flame color mode and brightness mode. 	<ol style="list-style-type: none"> 1.Press the button once adjusts the flame color by default. Continuously pressing the button cycles through the colors (12 options, ranging from C1-C9, CA~CC) until the desired setting is reached; when the screen displays C0, the flame color and ember color will change automatically. 2. Press and hold for 3 seconds to switch to flame brightness adjustment, then continuously press to cycle through the brightness levels (range L1~L5).
 TEMP.	TEMP. button: Control the temperature output mode.	<ol style="list-style-type: none"> 1. Press once, heat turn off 2. Press again, Indicator lights up, 900W(L)heater turns on and blows warm air. 3. Press again, Indicator lights up, 1800W(H)heater turns on and blows warm air. 4. Press again to select the desired temperature(18-28°C) 5. Press again, Heaters turns off, display shows 00.
 TIMER	TIMER button: Control timer settings to turn off fireplace at selected time.(Range: 1-8 hours)	<ol style="list-style-type: none"> 1. Press again, Indicator lights up, Temperature is set to hours. 2. Press again until desired setting is reached, LED display show setting.
 UP	UP button: Increase the temperature and flame color.	<ol style="list-style-type: none"> 1.Increase the temperature and flamecolor.
 DOWN	DOWN button: Decrease the temperature and flame color.	<ol style="list-style-type: none"> 1.Decrease the temperature and flame color.
 BRI	BRIGHTHNESS button: Change the flame brightness	<ol style="list-style-type: none"> 1. Change the flame bright(L1-L5) NOTE: This button is only on remote.

NOTICE

When the heater is first turned on, a slight odor may be present. This is normal and should not occur again unless the heater is not used for a long period of time.

NOTICE

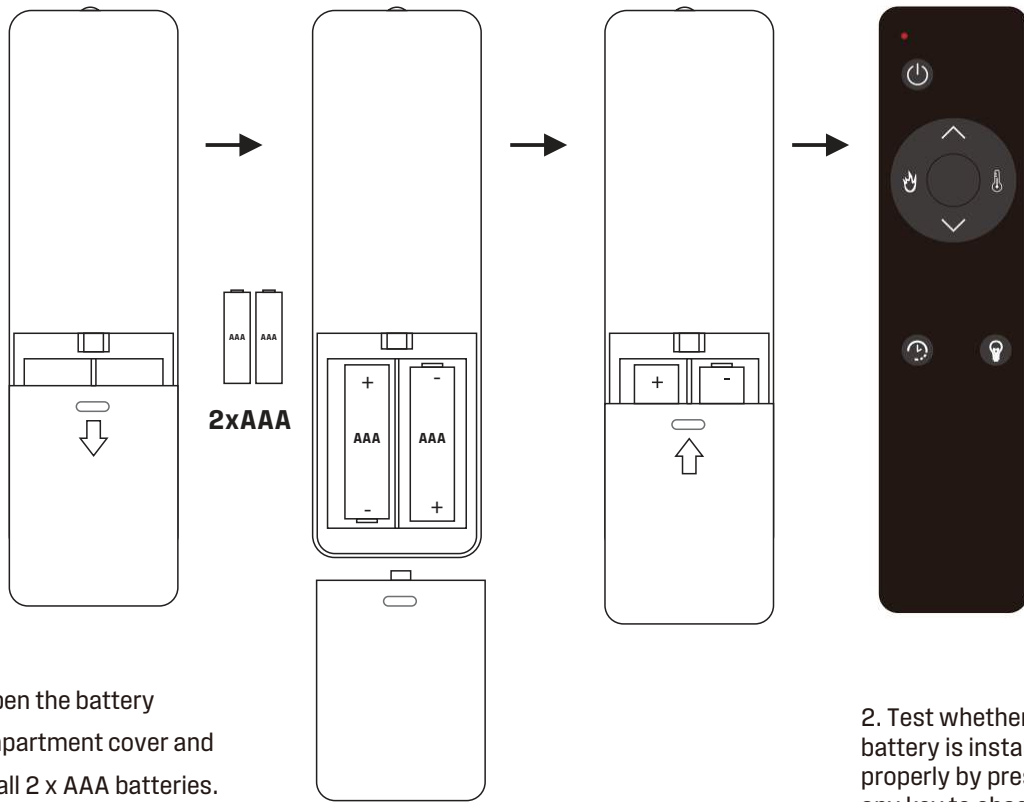
To improve operation, aim the remote control at the front of the fireplace. DO NOT press the buttons too quickly.Give the unit time to respond to each command.

Temperature Limiting Control

This heater is equipped with a Temperature Limiting Control. Should the heater reach an unsafe temperature, the heater will automatically turn OFF. To reset:

1. Unplug the power cord from the outlet.
2. Turn the ON/OFF switch on the CONTROL PANEL to OFF. Wait 5 minutes.
3. Inspect the fireplace to make sure no vents are blocked, or clogged with dust or lint. If they are, use a vacuum to clean the vent areas.
4. With the POWER switch in the OFF position, plug the power cord back into the outlet.
5. If the problem continues, have your outlet and wiring inspected by a professional.

Remote Control



1. Open the battery compartment cover and install 2 x AAA batteries.

2. Test whether the battery is installed properly by pressing any key to observe whether the indicator light is on.





NEVER dispose of batteries in fire. Failure to observe this precaution may result in an explosion. Dispose of batteries at your local hazardous material processing center.

CARE AND MAINTENANCE

Cleaning



ALWAYS turn the heater **OFF** and **unplug the power cord from the outlet** before cleaning, performing maintenance, or moving this fireplace. Failure to do so could result in **electric shock, fire, or personal injury**.



NEVER immerse in water or spray with water. Doing so could result in **electric shock, fire, or personal injury**.

Metal:

- Buff using a soft cloth, slightly dampened with a citrus oil-based product.
- **DO NOT** use brass polish or household cleaners as these products will damage the metal trim.

Glass:

- Use a good quality glass cleaner and dry thoroughly with a paper towel or lint-free cloth.
- **NEVER** use abrasive cleansers, liquid sprays, or any cleaner that could scratch the surface.

Vents:

- Use a vacuum or duster to remove dust and dirt from the heater and vent areas.
- Clean the exterior of the fireplace with a slightly damp cloth or duster.

Maintenance



Risk of electric shock! DO NOT OPEN! No user-serviceable parts inside!



ALWAYS turn the heater **OFF** and **unplug the power cord from the outlet** before cleaning, performing maintenance, or moving this fireplace. Failure to do so could result in **electric shock, fire, or personal injury**.

Electrical and Moving Parts:

- The fan motors are lubricated at the factory and will not require lubrication.
- Electrical components are integrated in the fireplace and are not serviceable by the consumer.

Storage:

- Store heater in a clean dry place when not in use.



WARNING! No other servicing should be performed by the consumer. Do not attempt to service the unit yourself.

Troubleshooting

WARNING

DISCONNECT THE APPLIANCE COMPLETELY AND LET COOL PRIOR TO ANY SERVICE. ONLY A QUALIFIED SERVICE PERSON SHOULD SERVICE AND REPAIR THIS ELECTRIC APPLIANCE.

Problem	Possible Cause	Solution
1. Fireplace turns off and will not turn on.	1. Fireplace has overheated and safety device has caused thermal switch to disconnect or home circuit breaker has opened.	1. Reset switch by turning main power off and waiting turning it back on or reset the circuit breaker.
2. Flame is not moving.	1. Loose wiring. 2. Flame motor defective. 3. Flame rod out of place	1. Inspect wiring for loose connections. 2. Call a qualified service technician to replace flame motor. 3. "Flame Rod" out of place due to rough transit/handing of the product. This issue can be corrected as simple as removing the glass, flipping the fireplace upside and down, removing a set of screws that are holding the bottom frame plate and placing the flame rod back into place.
3 Flame is not visible.	1. Wiring is loose	1. Disconnect from power source and inspect wiring for loose connections and repair or replace if necessary. 2. Push the flame button to high
4 Log set and /or crystal is not glowing.	1. Wiring is loose 2. Ember is off mode	1. Disconnect from power source and inspect wiring for loose connections and repair or replace if necessary.
5 Remote control does not work.	1. Low batteries. 2. Not aiming control correctly. 3. Defective remote control and /or sensor	1. Replace batteries in remote control. 2. Aim control at sensor located directly behind glass screen in center of unit just above logs. 3. Replace remote control and/or sensor.