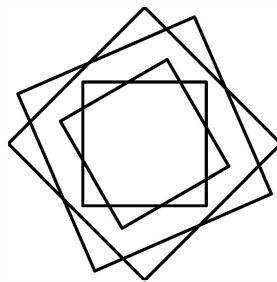
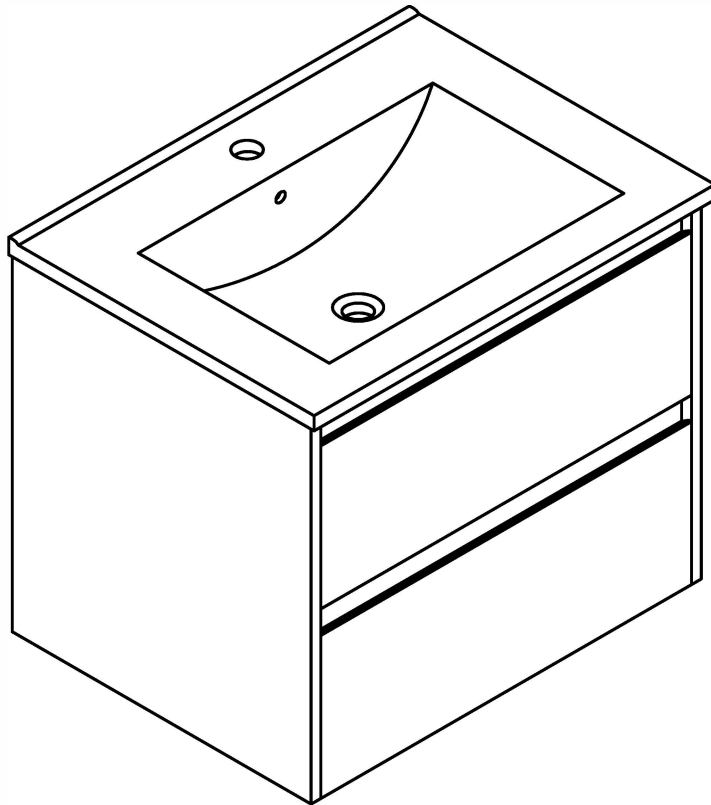


Installation Manual

MOTIVATE
YOUR LIFE !



Thank you for shopping with us!


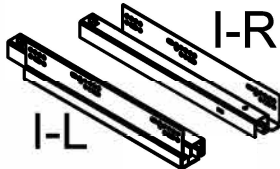








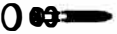



We encourage you to take a few minutes to go through this booklet. It contains important information on installation and care tips to keep your furniture looking as good as new.

THANKS FOR WATCHING

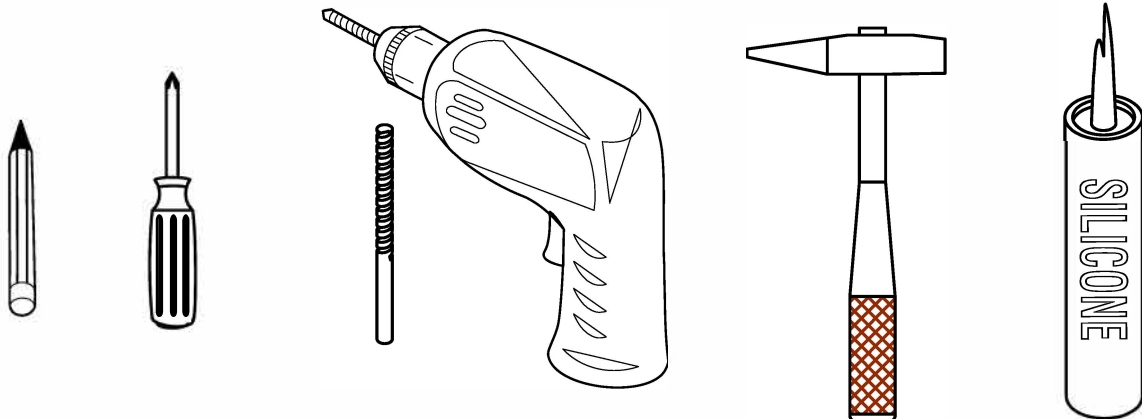
Your feedback is invaluable to us and we would love to hear about your experience. Please take the time to leave us a review.

Part List

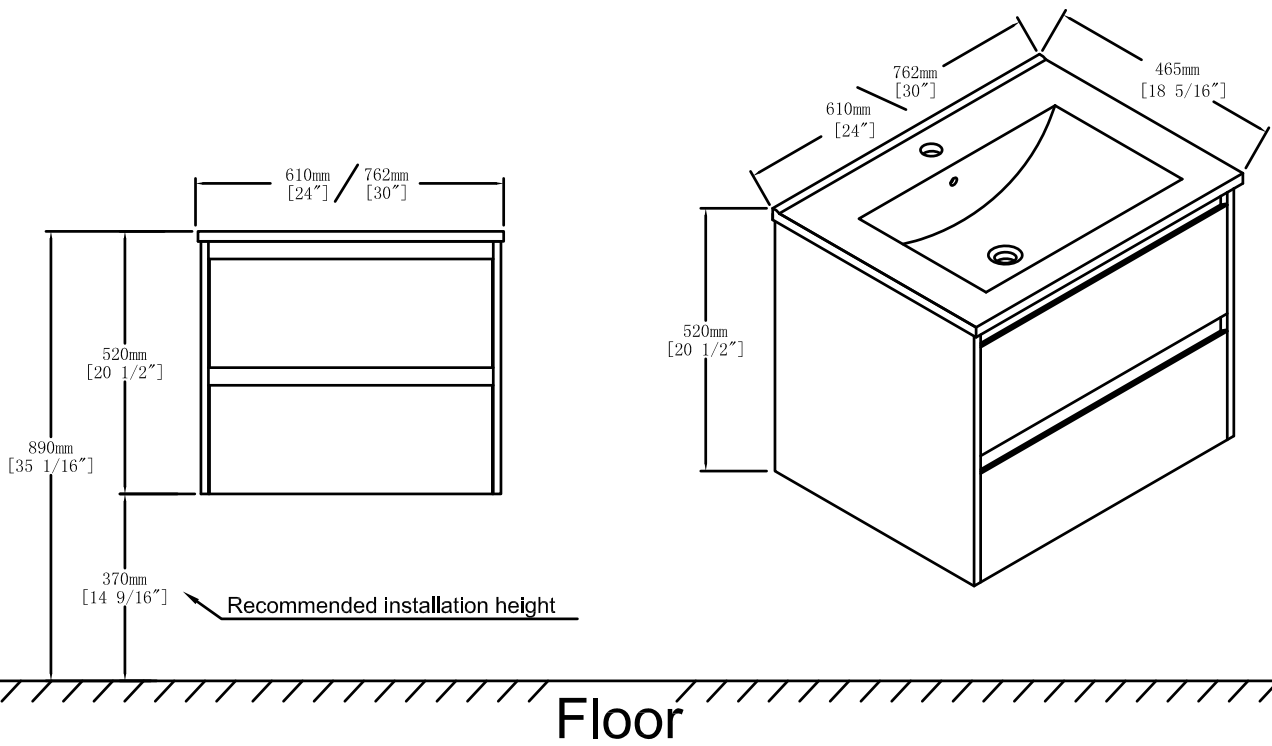
Hardware

NO.	Draw	QTY	NO.	Draw	QTY
A	 Screws Ø4x14mm	44	I	 I-R I-L Track	2
B	 Two-in-one connector	41	J	 U-Shaped plastic	1
C	 Two-in-one connector	41	K	 Screws Ø4x20mm	8
D	 Wood plug	2	L	 Screws Ø4x10mm	7
E	 Plastic anchor(Ø10mm)	4	M	 Anti-collision gasket	8
F	 Screws for fix on the wall	4	N	 Screwdriver	1
G	 Bracket (53x70x44mm)	2			
H	 Bracket (19x19x35mm)	2			

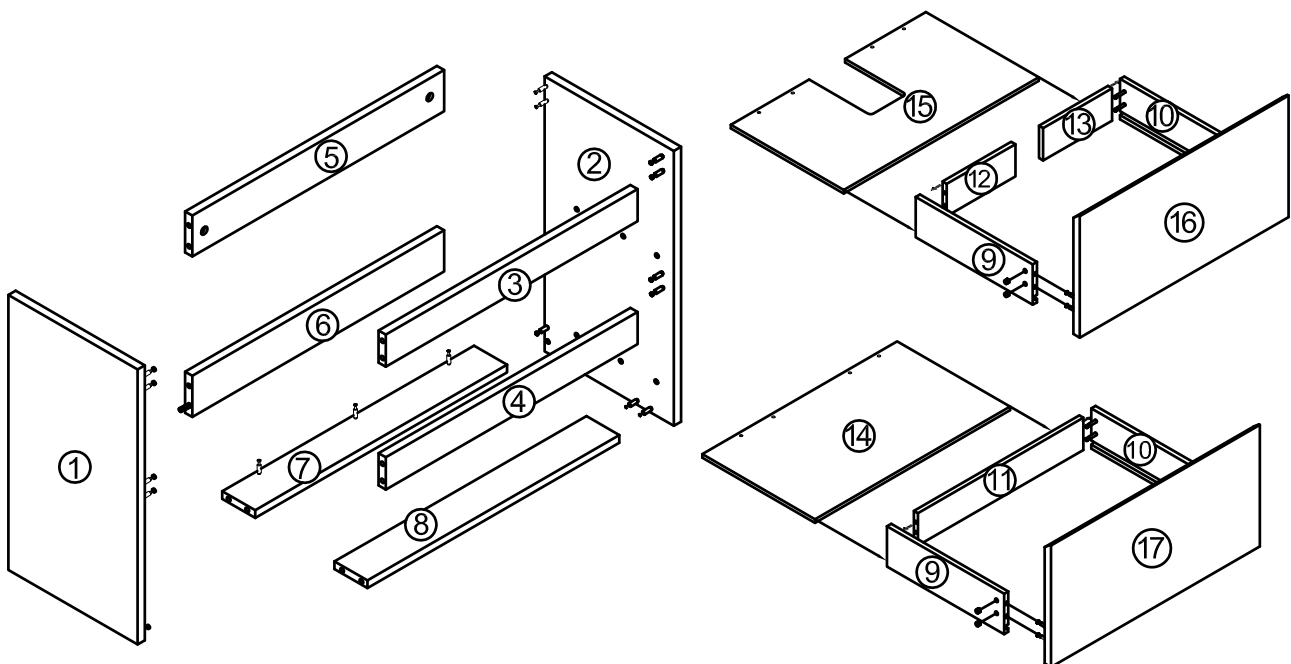
Recommended tools



Dimensions

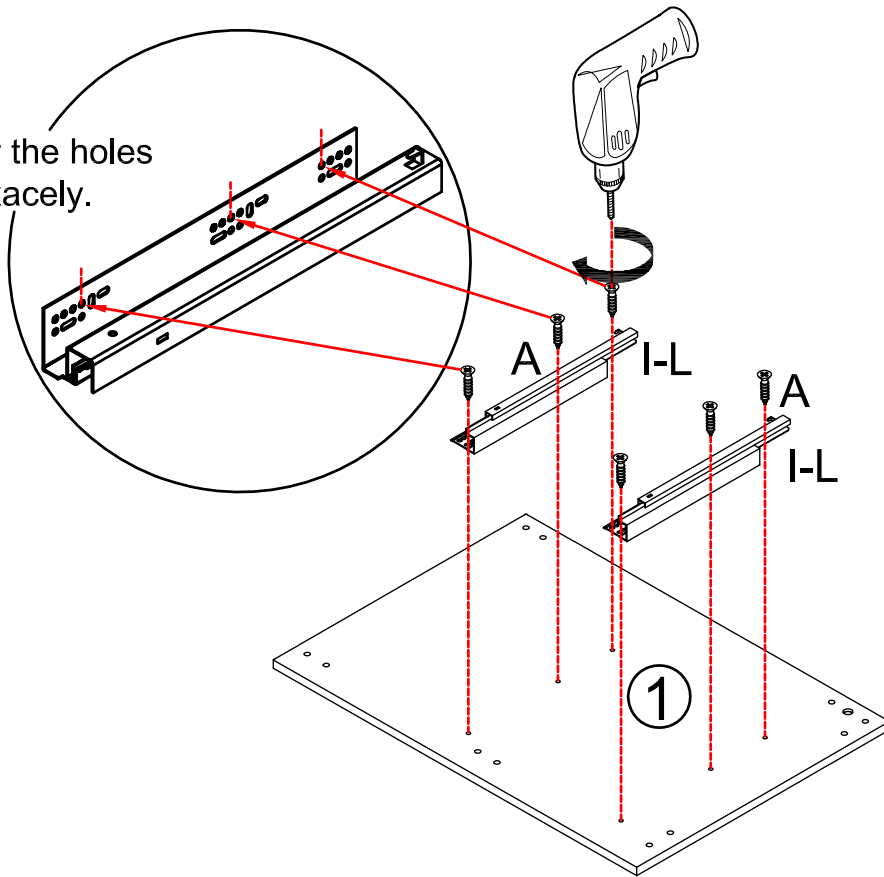


Components

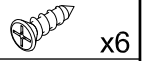


Step 1

Note: Follow the holes positions exactly.



I
(\varnothing 4 x 14mm)



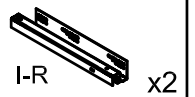
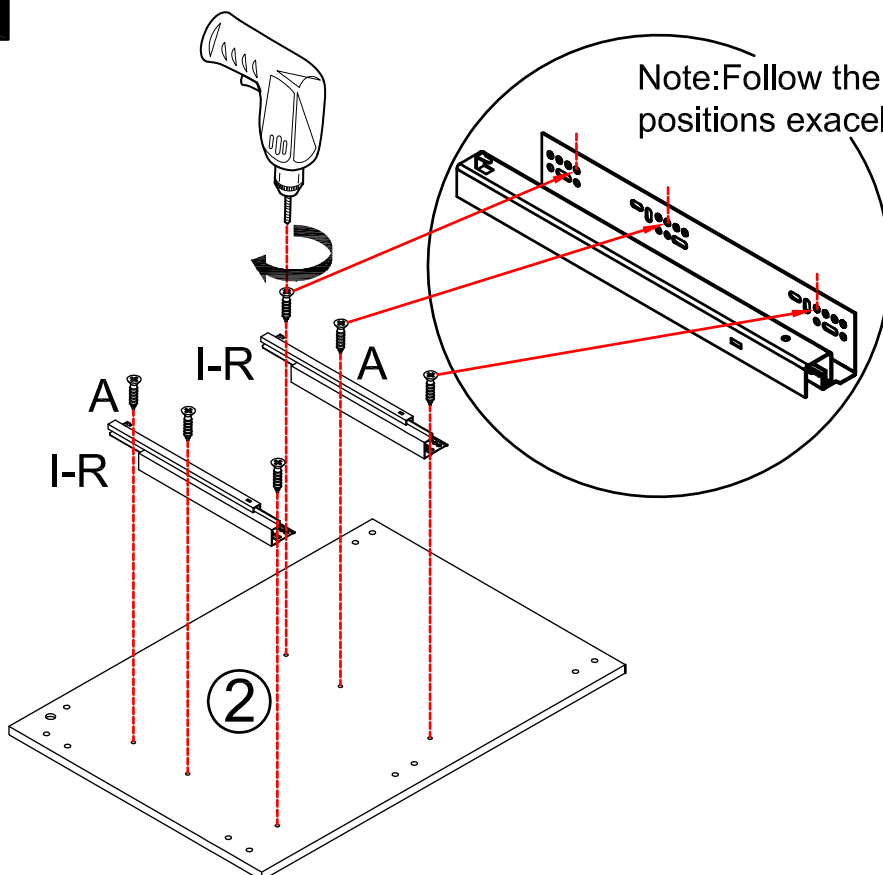
A



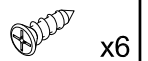
Tool

Step 2

Note: Follow the holes positions exactly.



I
(\varnothing 4 x 14mm)

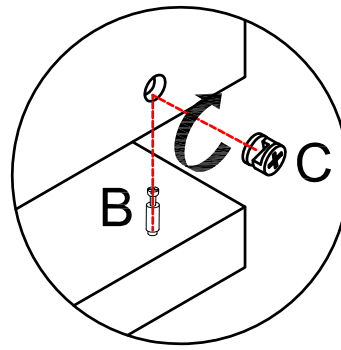
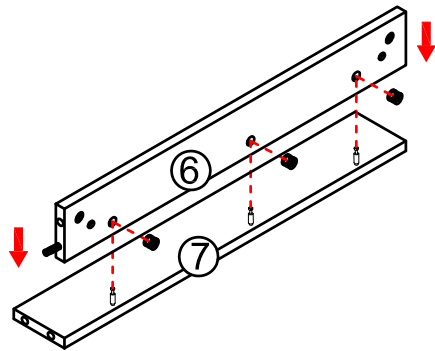


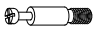

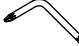
A

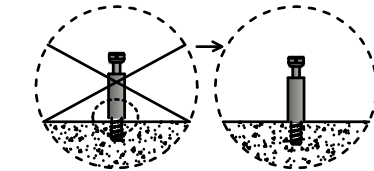
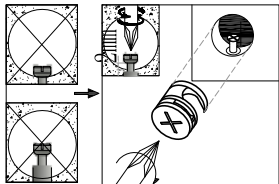


Tool

Step 3

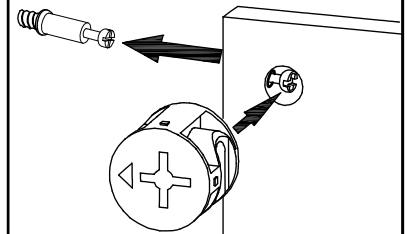


-  x3
- B
-  x3
- C
-  x1
- N

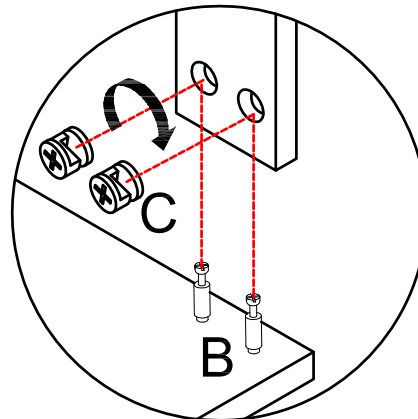
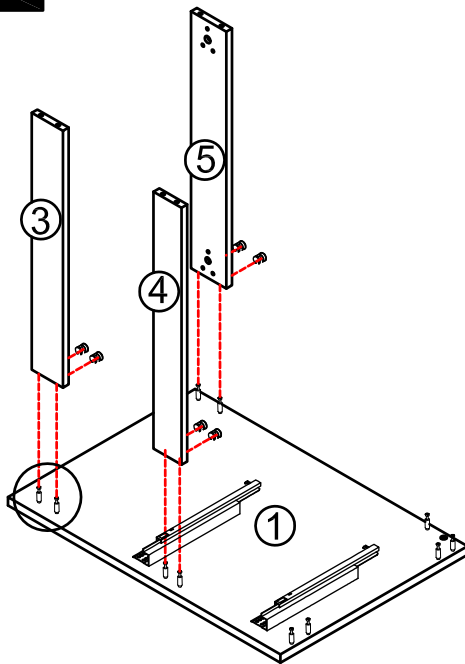


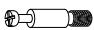


Notes: Screw installation depth as shown

Attention: The lock handle arrow points to the side face.

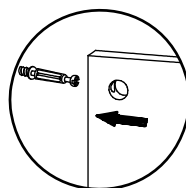


Step 4

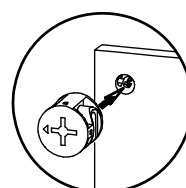


-  x6
- B
-  x6
- C
-  x1
- N

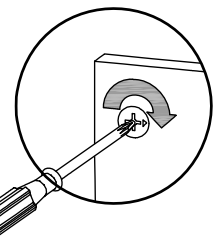
first step



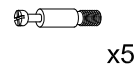
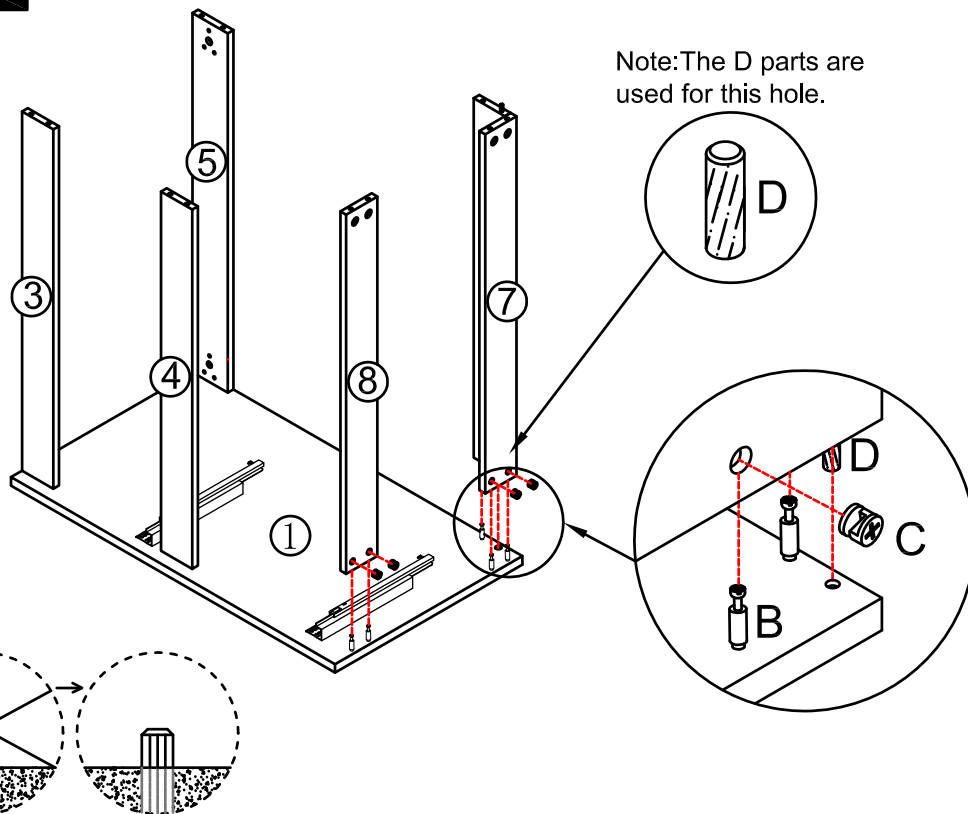
second step



third step



Step 5



B



C

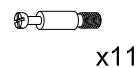
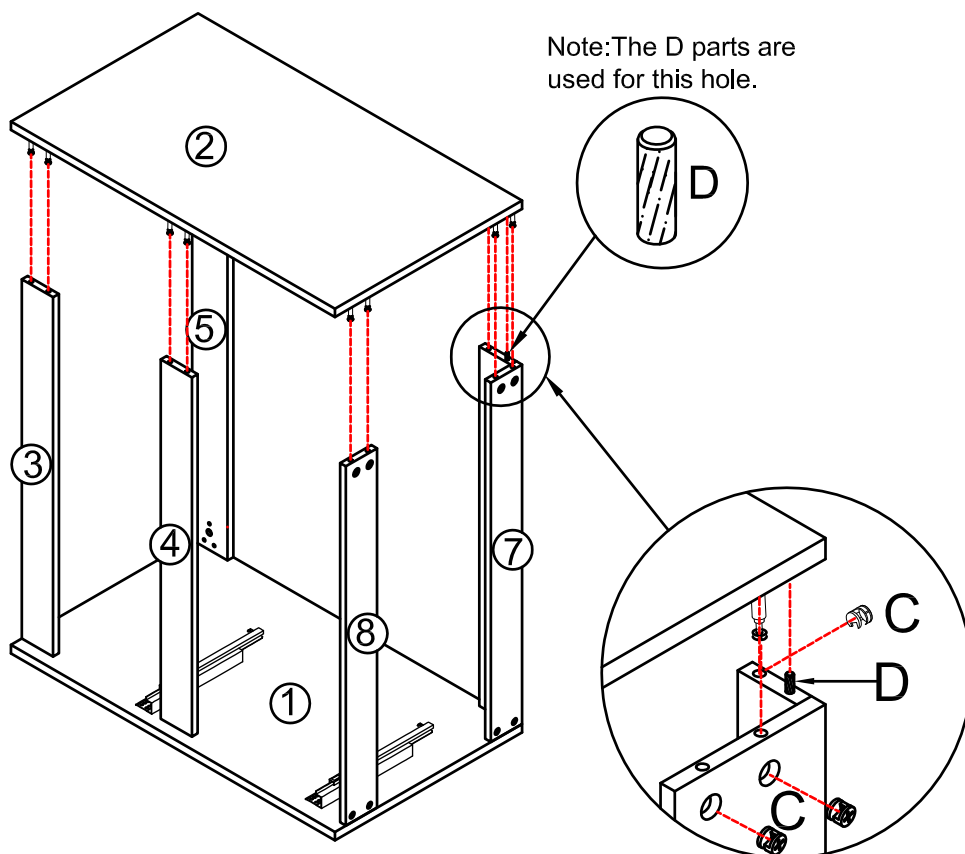


D



N

Step 6



B



C

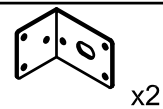
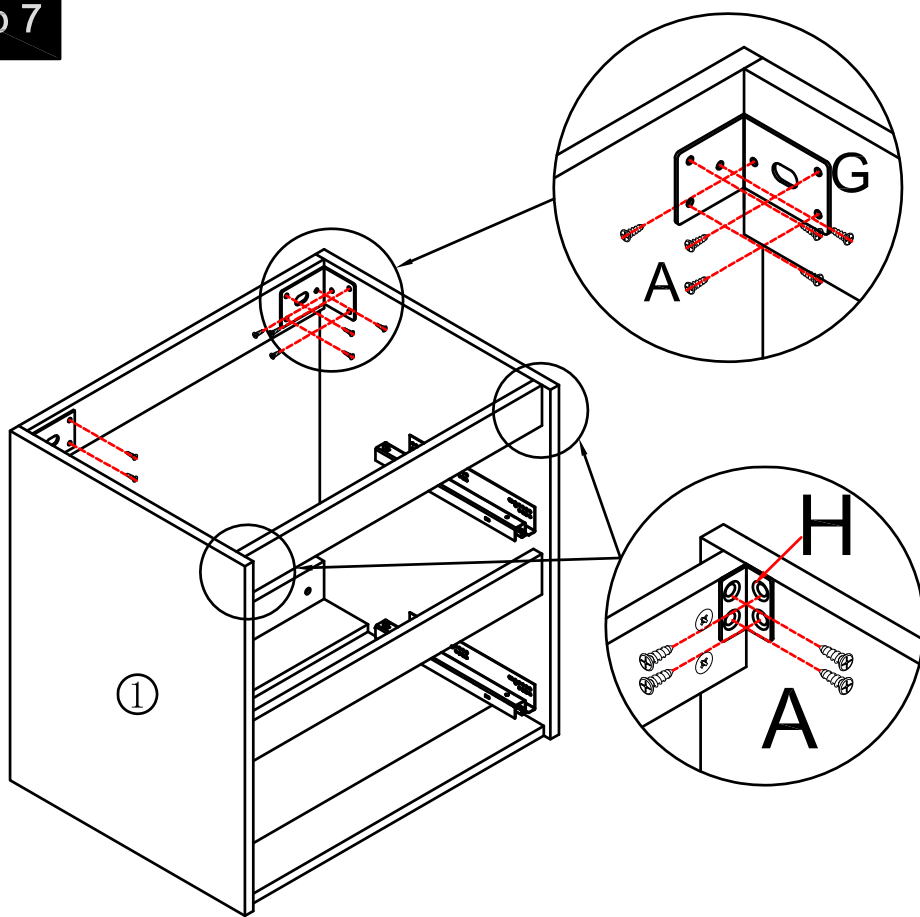


D

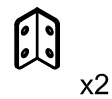


N

Step 7



G



H

($\varnothing 4 \times 14\text{mm}$)

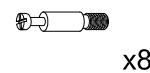
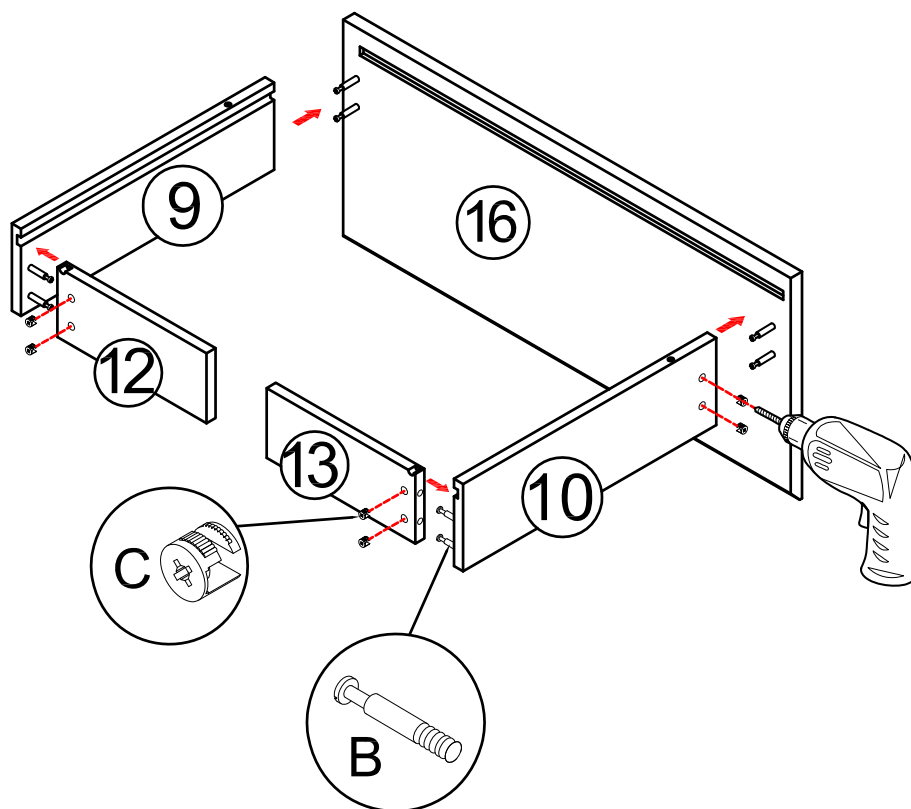


A



Tool

Step 8



B

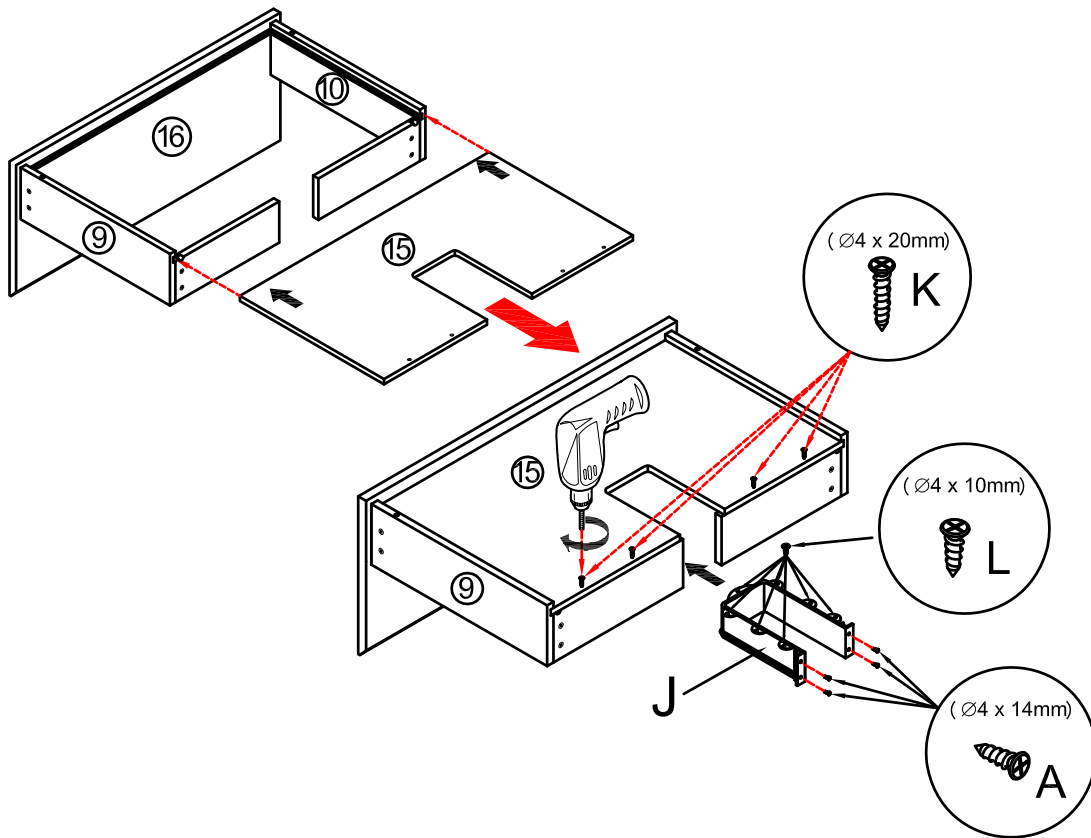


C

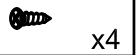


Tool

Step 9



(Ø4 x 14mm)



x4

A

(Ø4 x 20mm)



x4

K

(Ø4 x 10mm)



x7

L



x1

J



Tool

(Ø4 x 20mm)



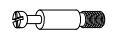
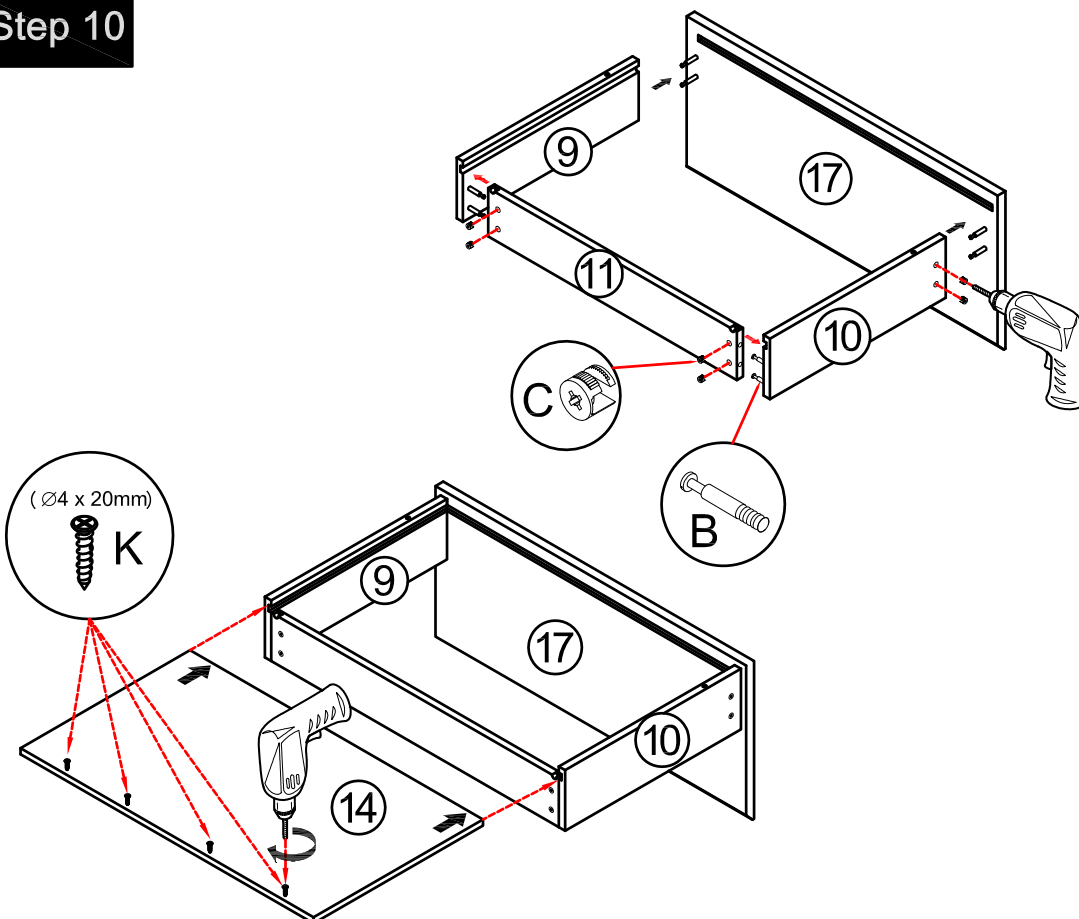
(Ø4 x 10mm)



(Ø4 x 14mm)



Step 10



x8

B



x8

C

(Ø4 x 20mm)



x4

K



x1

N



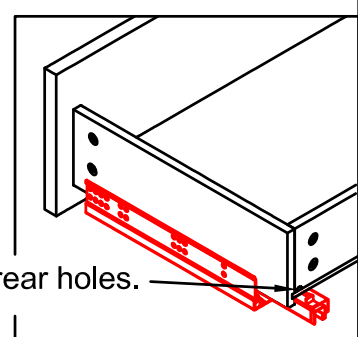
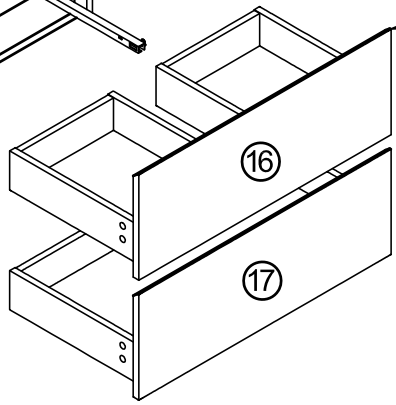
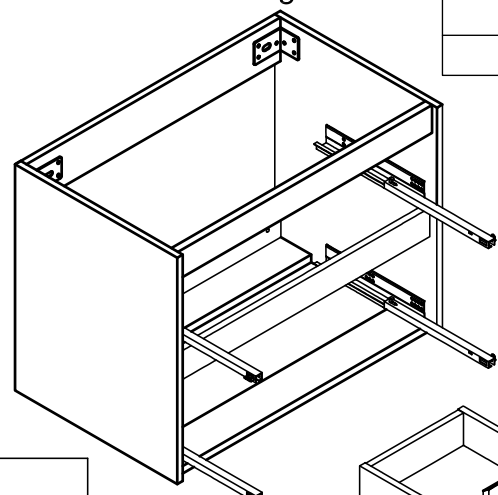
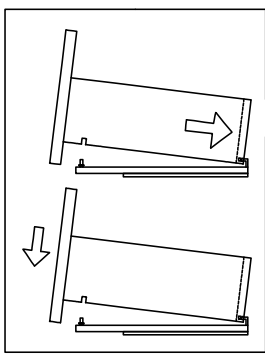
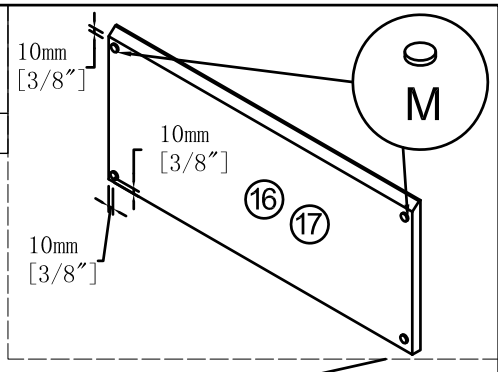
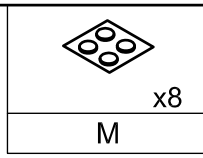
Tool

(Ø4 x 20mm)



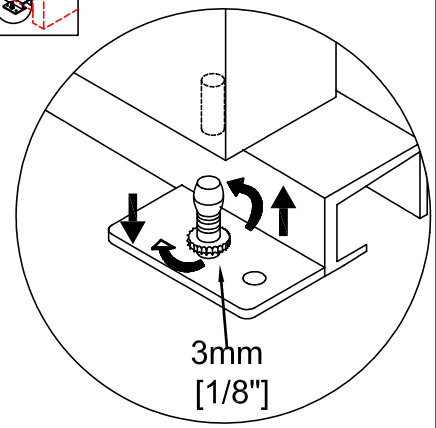
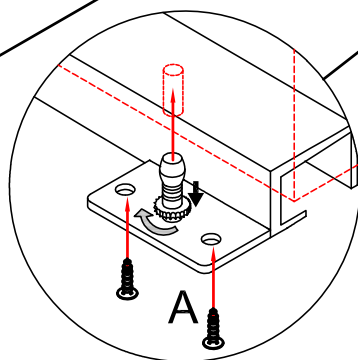
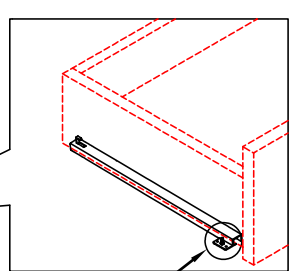
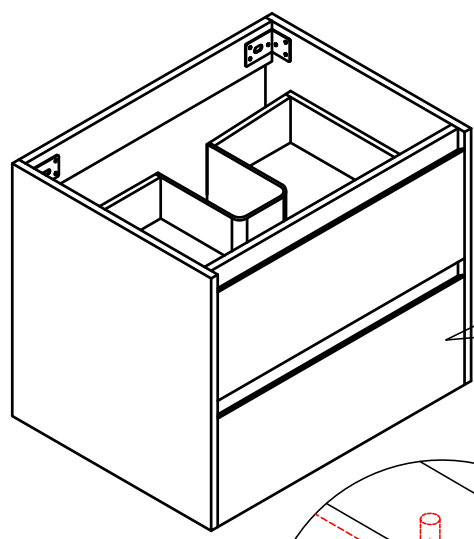
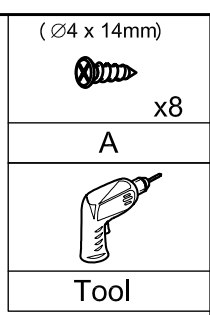
Step 11

Note: extend the sliding rail full .



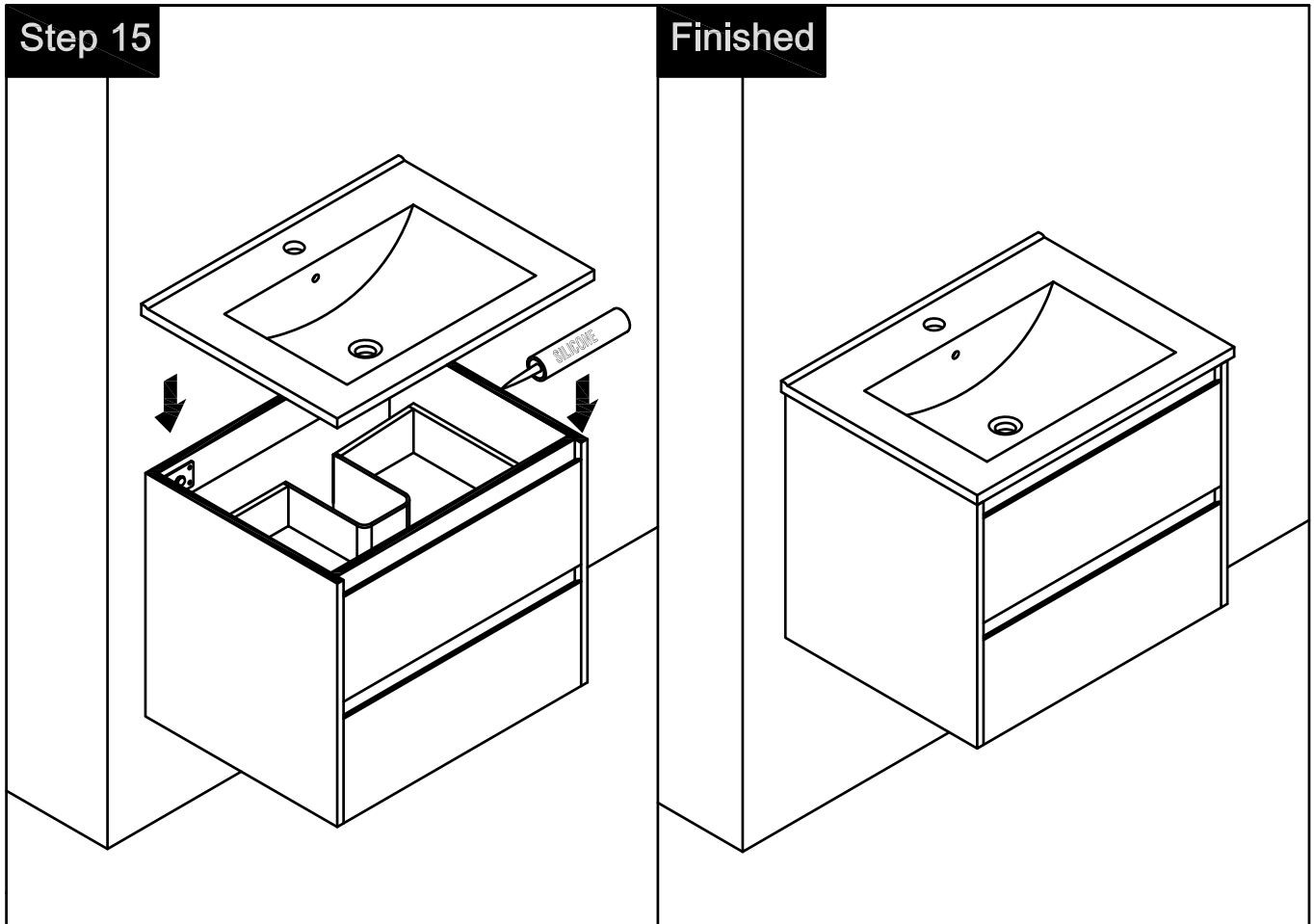
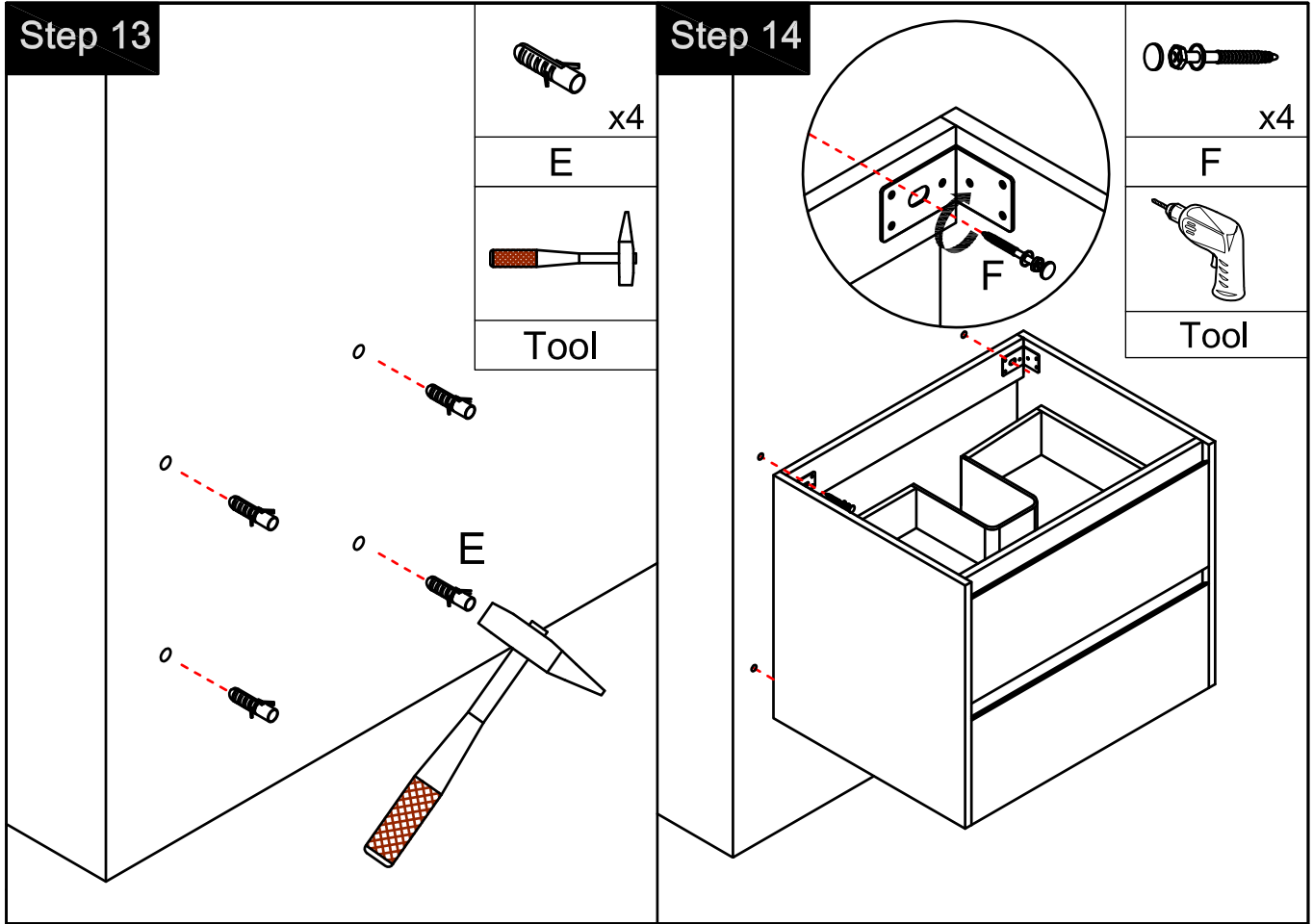
Note: stuck the rear holes.

Step 12

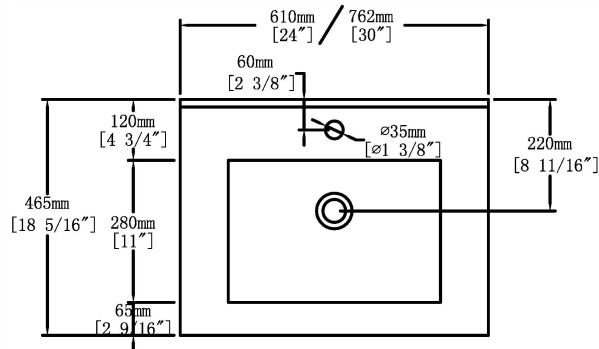


Note: The rails adjust their height 3mm.

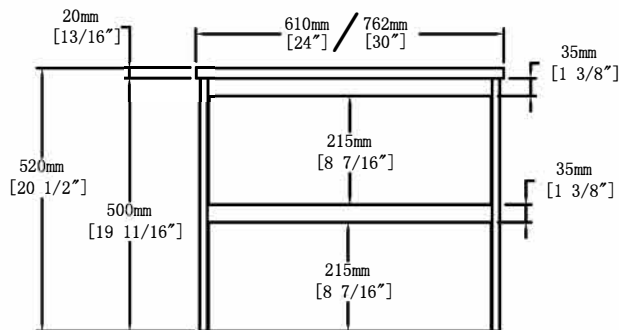
Note: The bottom of the rail is fixed with screw A



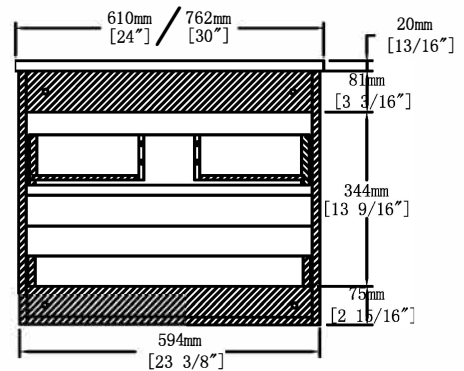
Dimensions



Top View



Front View



Back View

CARE CLEANING AND MAINTENANCE

1. Dust regularly with a soft , dry cloth.
2. Avoid the use of all chemicals household cleaners, abrasives, or cleaners that contain lemon, vinegar, or other acids that may damage the finish.
3. Excessive exposure to sunlight and extreme changes in temperature and moisture can damage wood furniture.
4. The sink top is resilient, but care needs to be taken to preserve its appearance.
5. Do not place hot appliances, such as curling irons and hot hair dryers directly on the countertop. Wipe spills immediately.