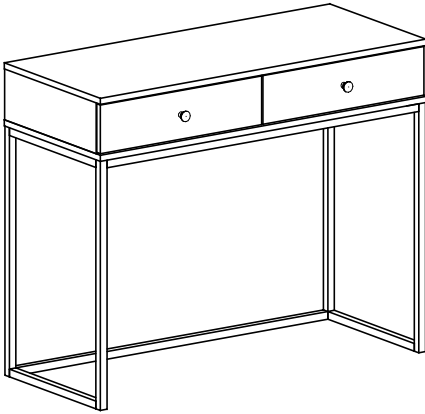
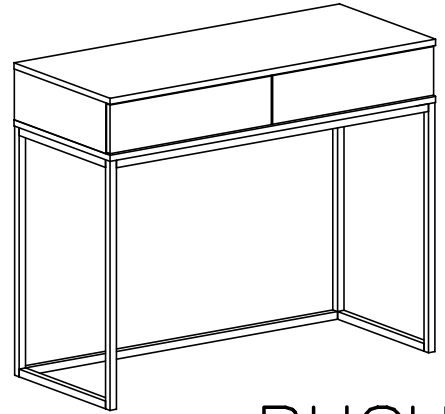


# Installation & Assembly

ver.1

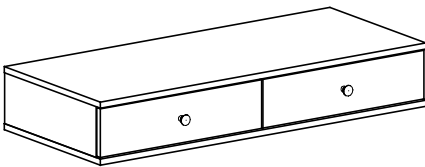


ver.2

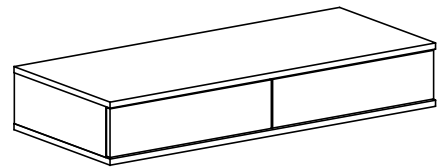


PUSH

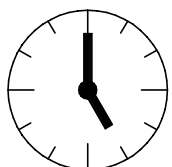
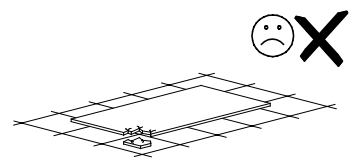
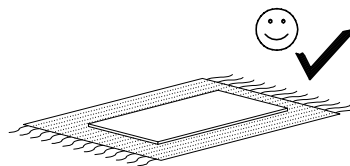
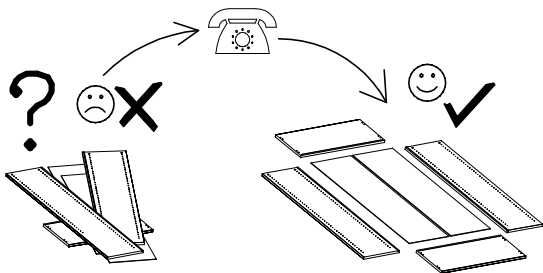
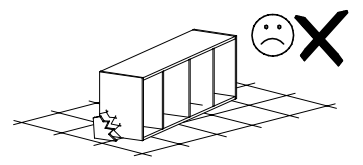
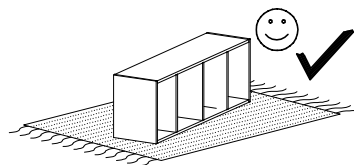
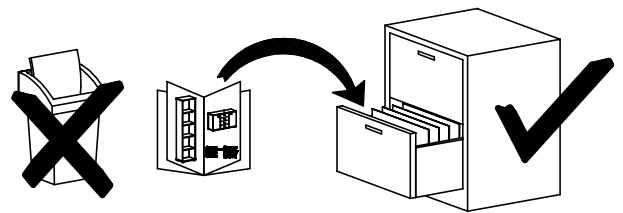
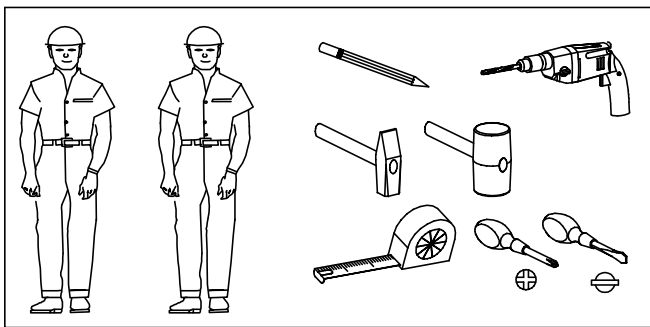
ver.3



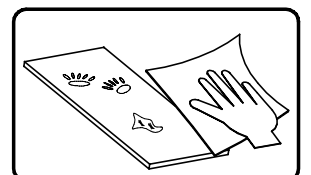
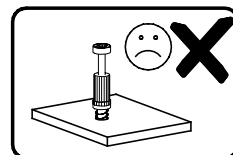
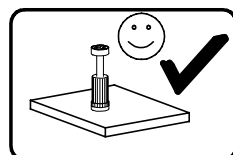
ver.4



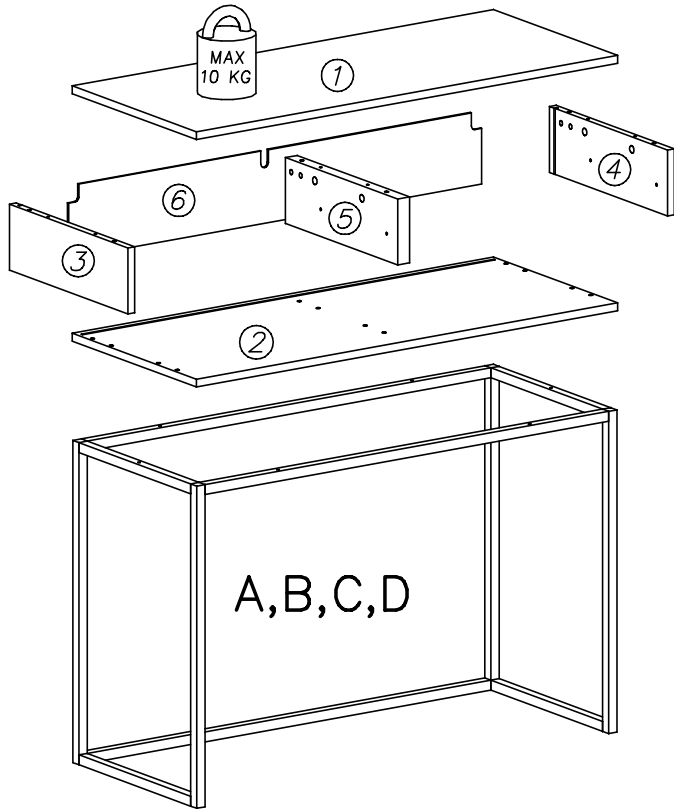
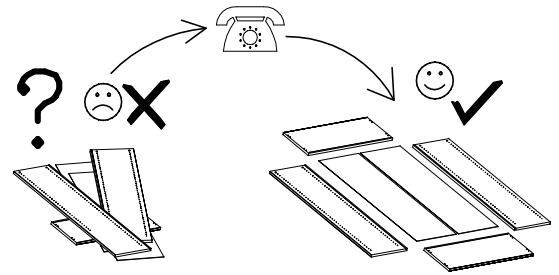
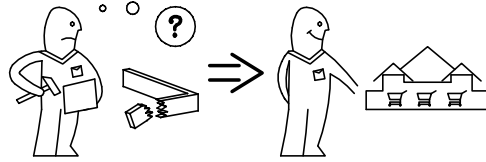
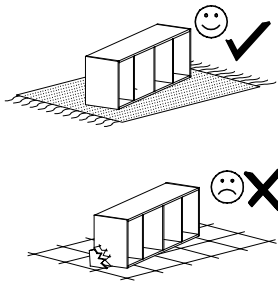
PUSH



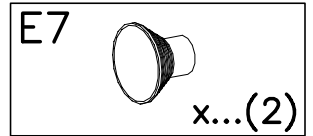
1,5h



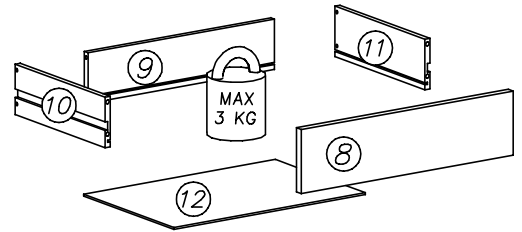
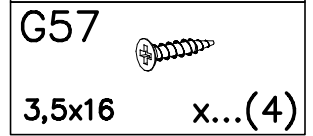
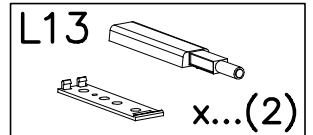
# table



ver.1,3

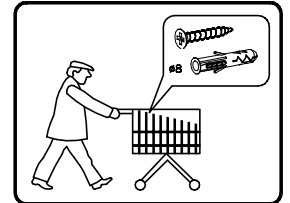
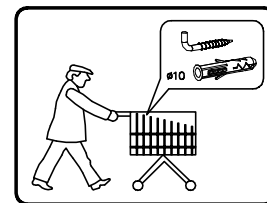


ver.2,4



nr	L[mm]	B[mm]	T[mm]	Menge	Coll
1	1002	422	16	1	1/1
2	1002	422	16	1	1/1
3	133	400	16	1	1/1
4	133	400	16	1	1/1
5	133	380	28	1	1/1
6	145	980	2,5	1	1/1

nr	L[mm]	B[mm]	T[mm]	Menge	Coll
8	494	126	16	2	1/1
9	437	100	12	2	1/1
10	300	100	12	2	1/1
11	300	100	12	2	1/1
12	447	301	2,5	2	1/1



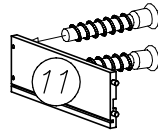
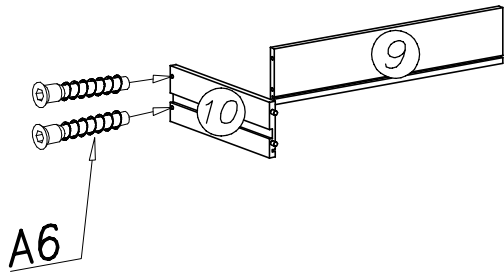
<b>U9L</b>  x...(1)	<b>F4</b>  x...(1)	<b>G34</b>  3,5x16 x...(1)
---------------------------	--------------------------	----------------------------------

<b>U9R</b>  x...(2)	<b>G34</b>  3,5x16 x...(2)	<b>H3</b>  280mm x...(4)	<b>G50</b>  6x13 x...(8)
---------------------------	----------------------------------	--------------------------------	--------------------------------

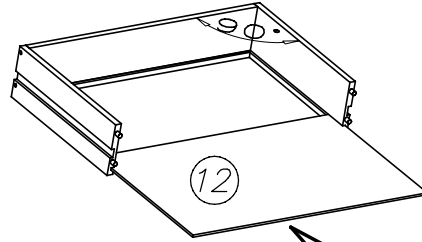
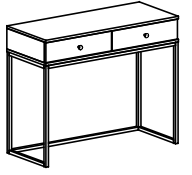
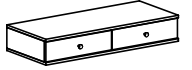
<b>K1</b>  ø15x12 x...(6)	<b>G8</b>  4x30 x...(8)	<b>N1</b>  M4x9 x...(4)	<b>I1</b>  x...(4)	<b>W1</b>  x...(1)
---------------------------------	-------------------------------	-------------------------------	--------------------------	--------------------------

<b>K10</b>  x...(6)	<b>B1</b>  ø8x35 x...(20)	<b>W2</b>  x...(1)	<b>A6</b>  ø7x40 x...(8)	<b>A1</b>  ø7x50 x...(6)
---------------------------	---------------------------------	--------------------------	--------------------------------	--------------------------------

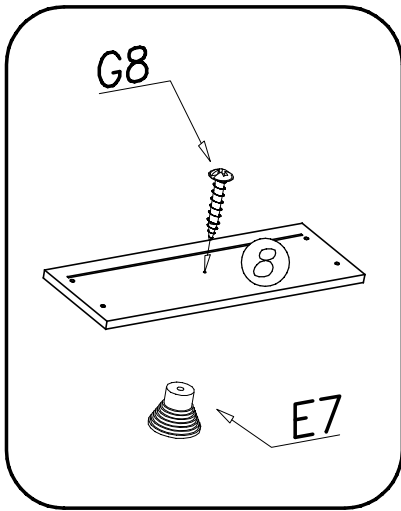
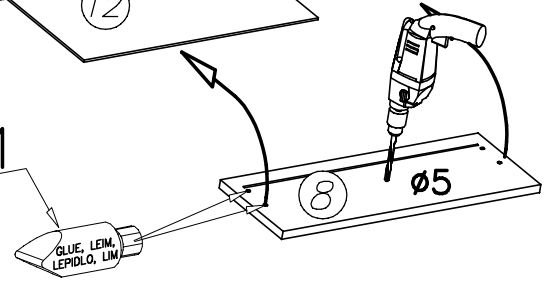
I



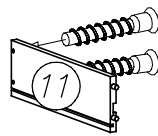
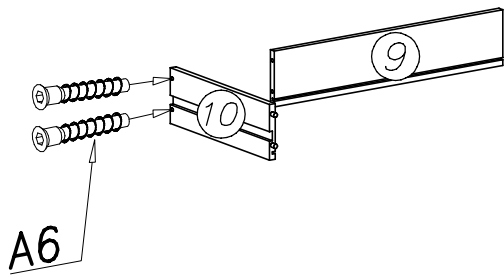
ver 1,3



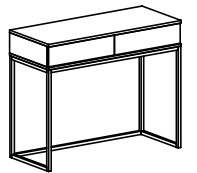
W1



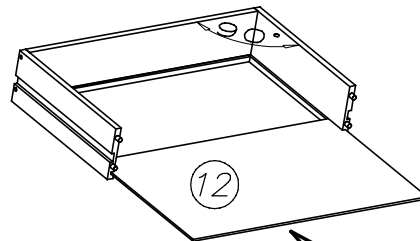
II



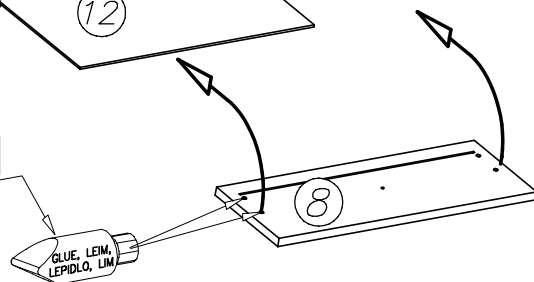
ver 2,4



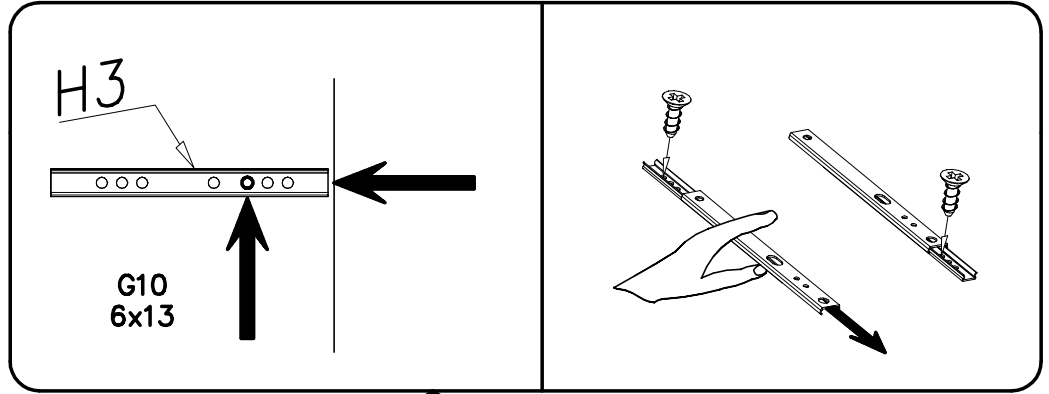
PUSH



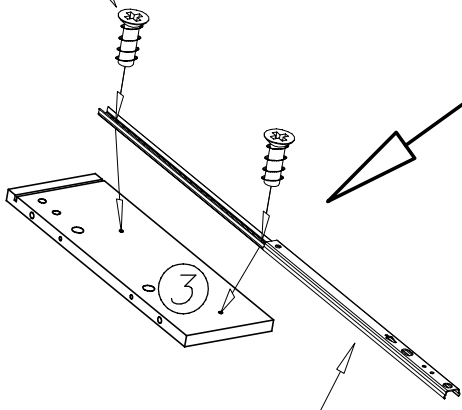
W1



III

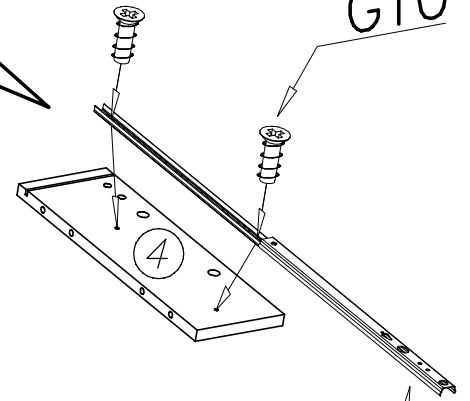


G10



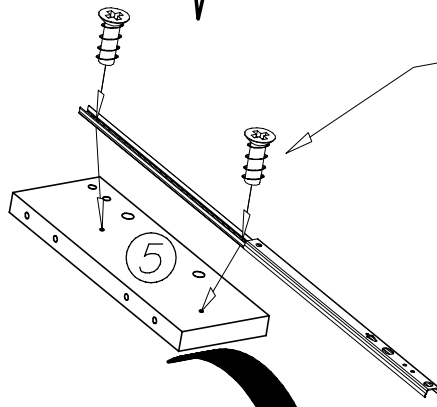
H3

G10



G10

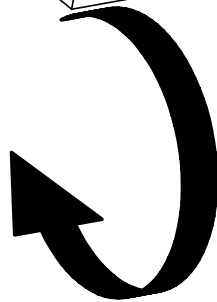
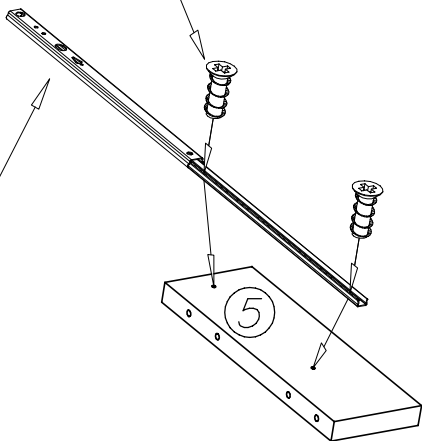
H3



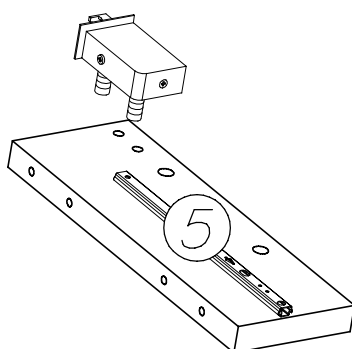
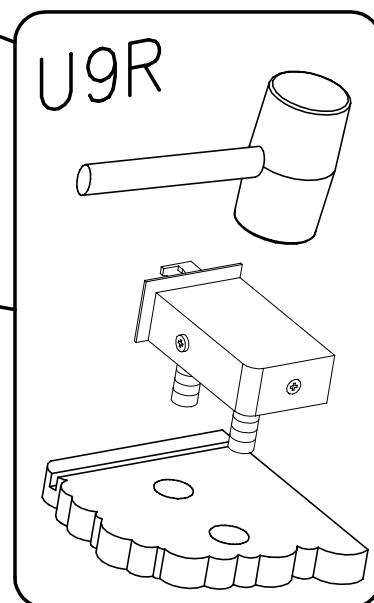
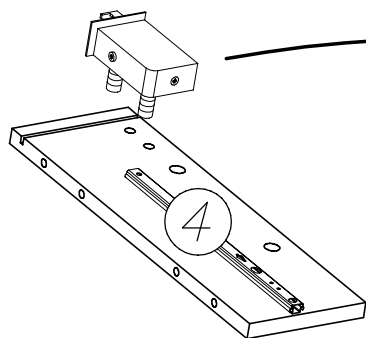
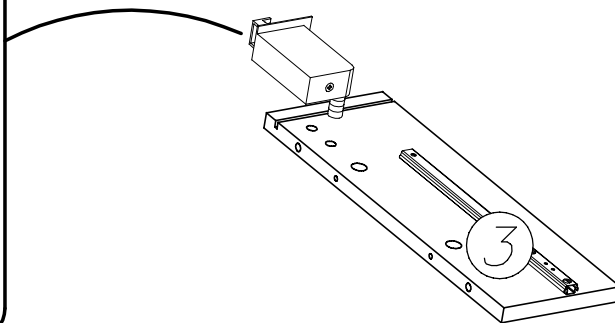
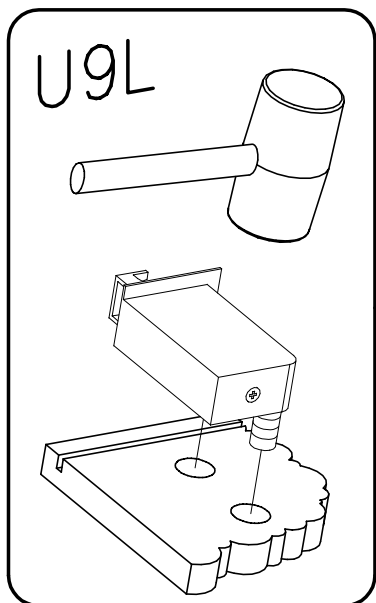
G10

H3

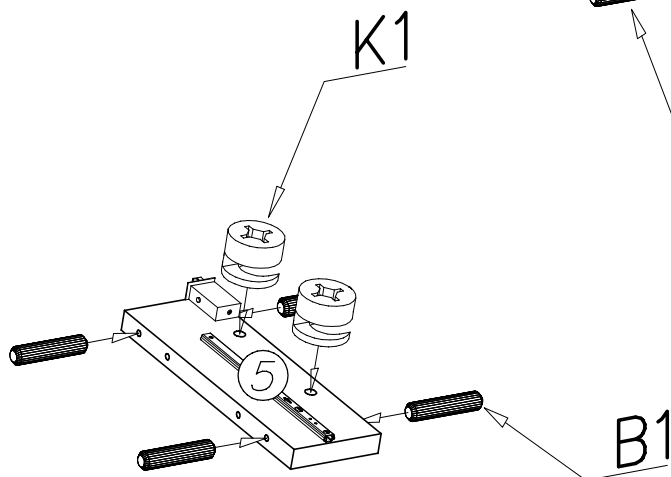
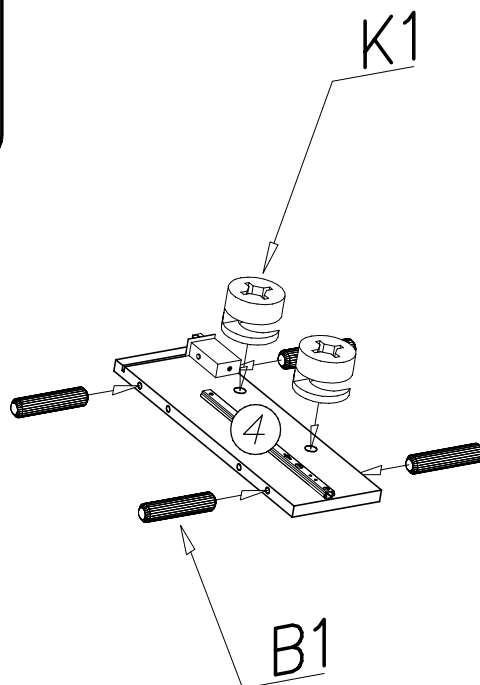
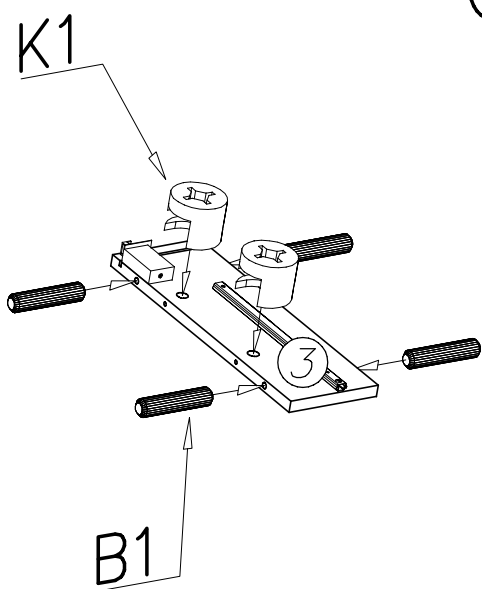
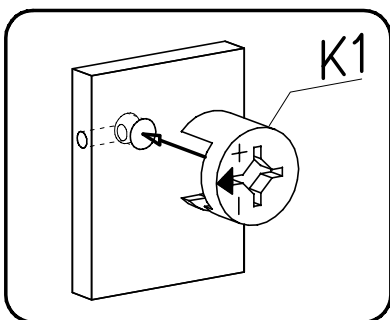
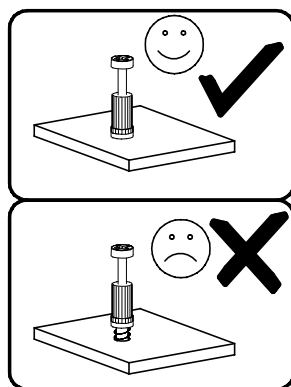
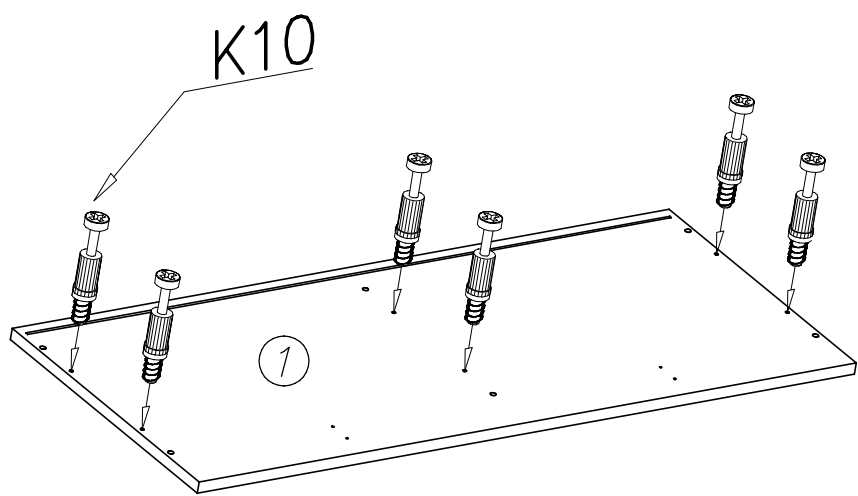
H3



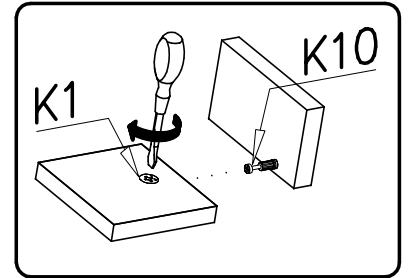
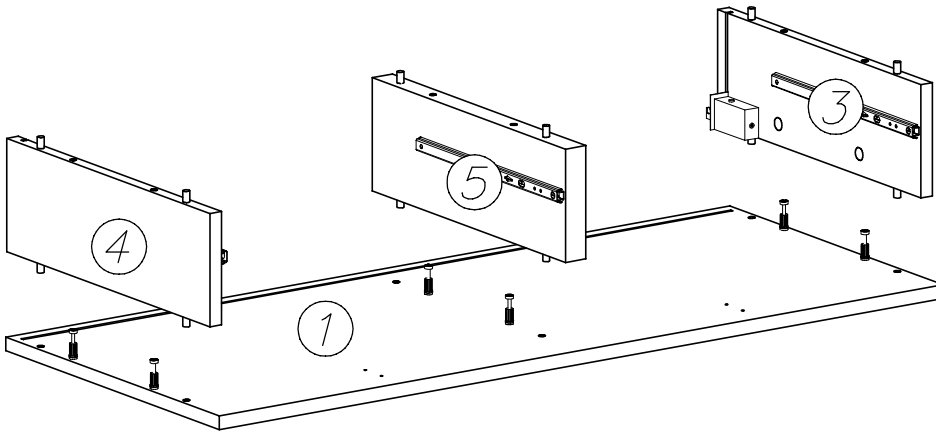
IV



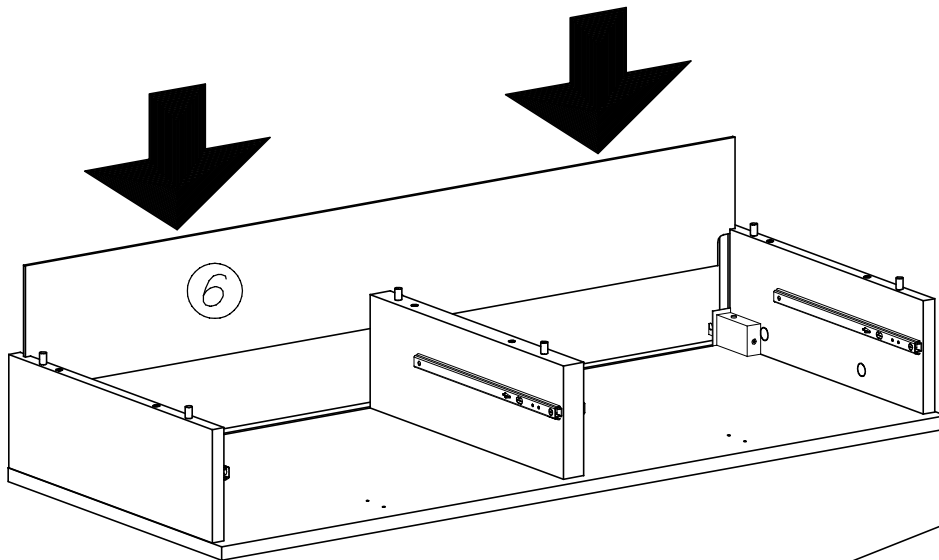
V



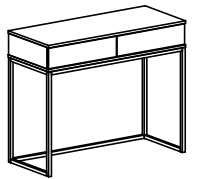
# VI



# VII



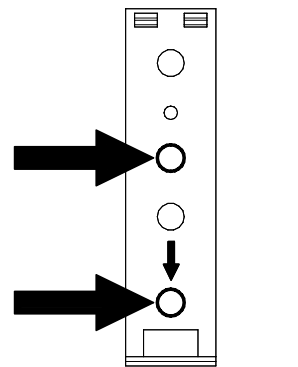
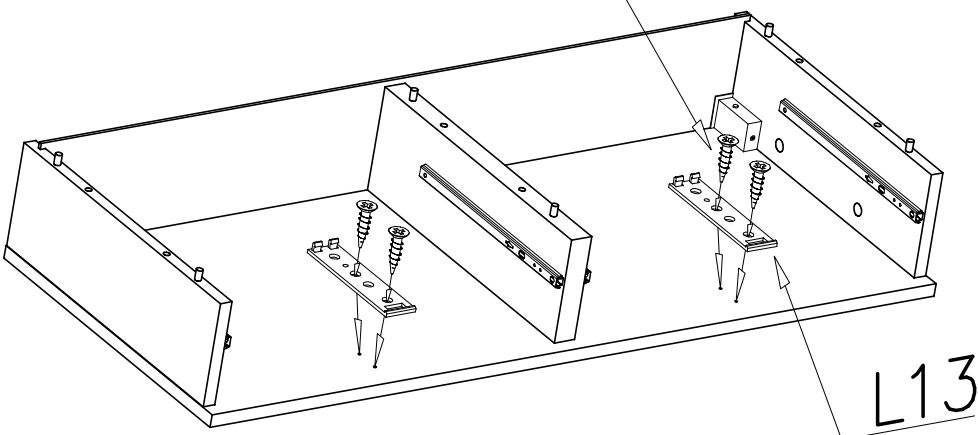
ver 2,4



PUSH

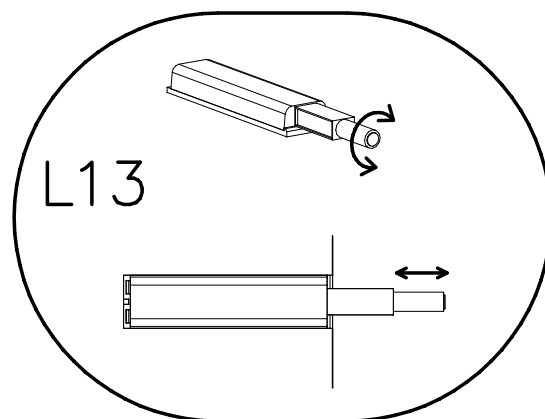
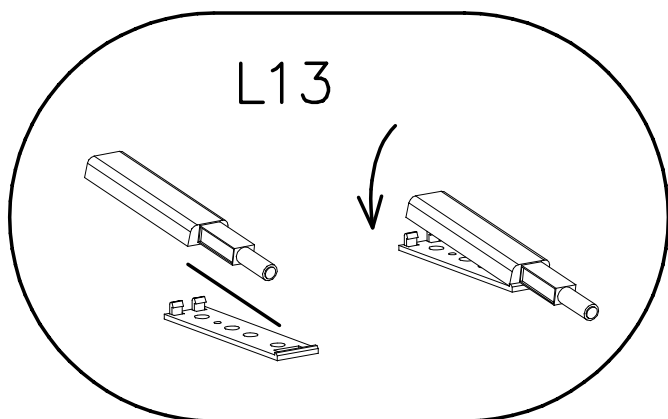
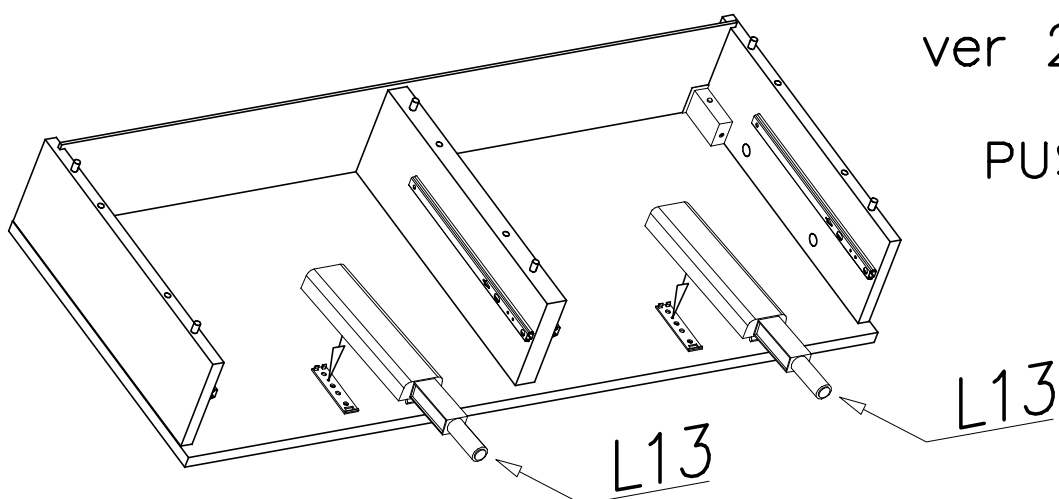
# VIII

G57

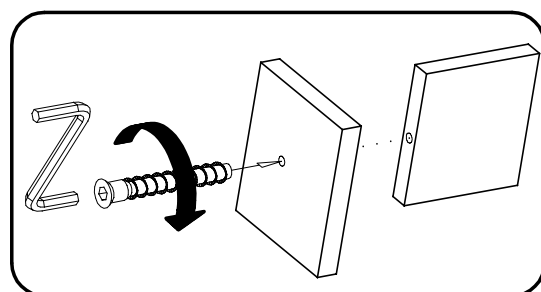
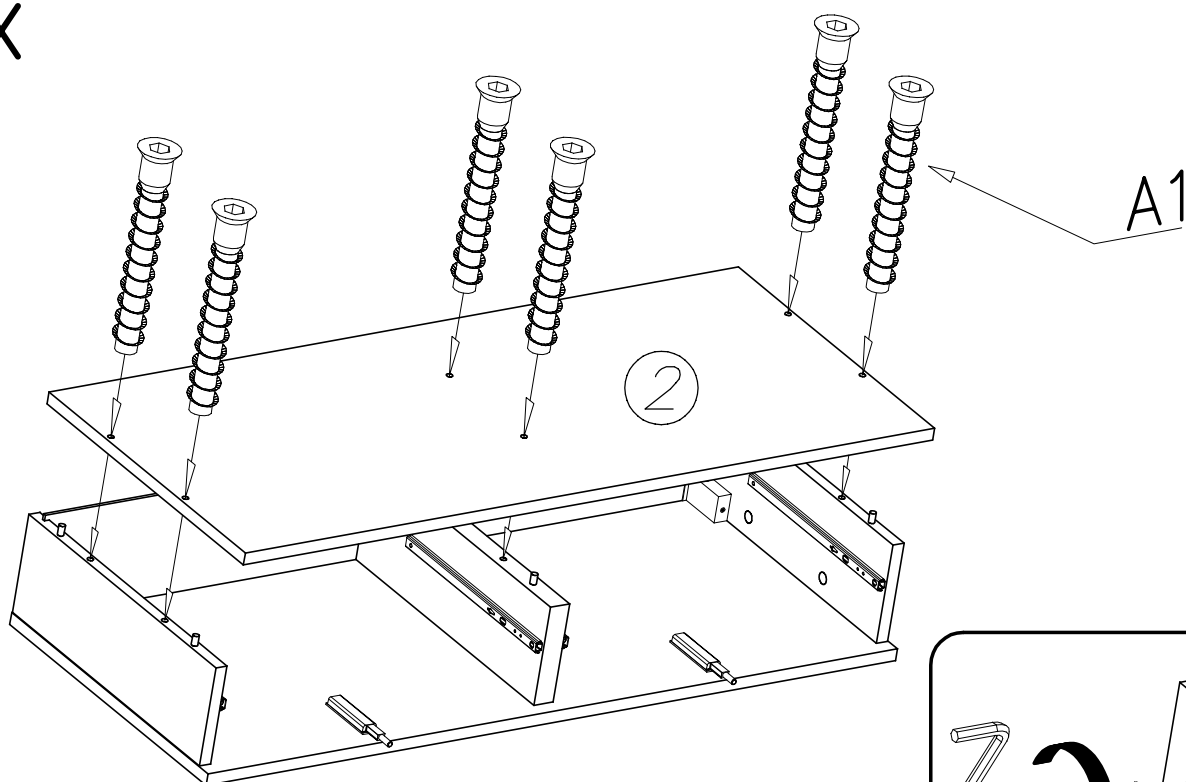


front

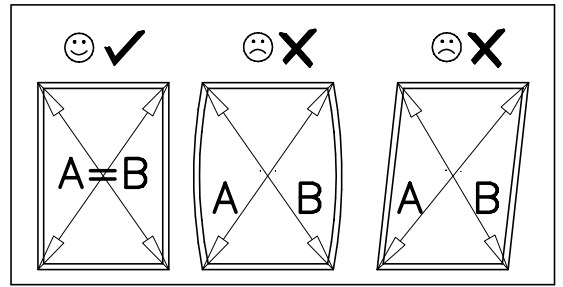
IX



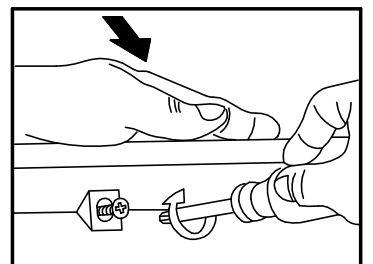
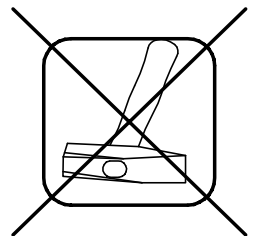
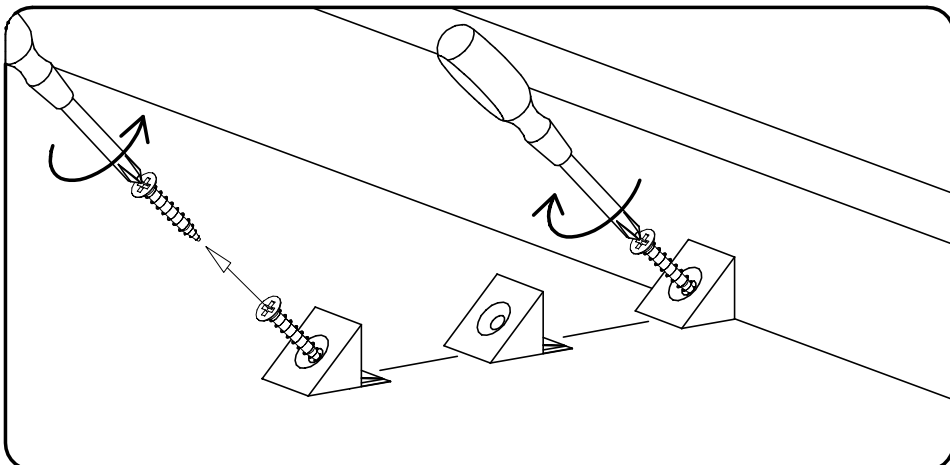
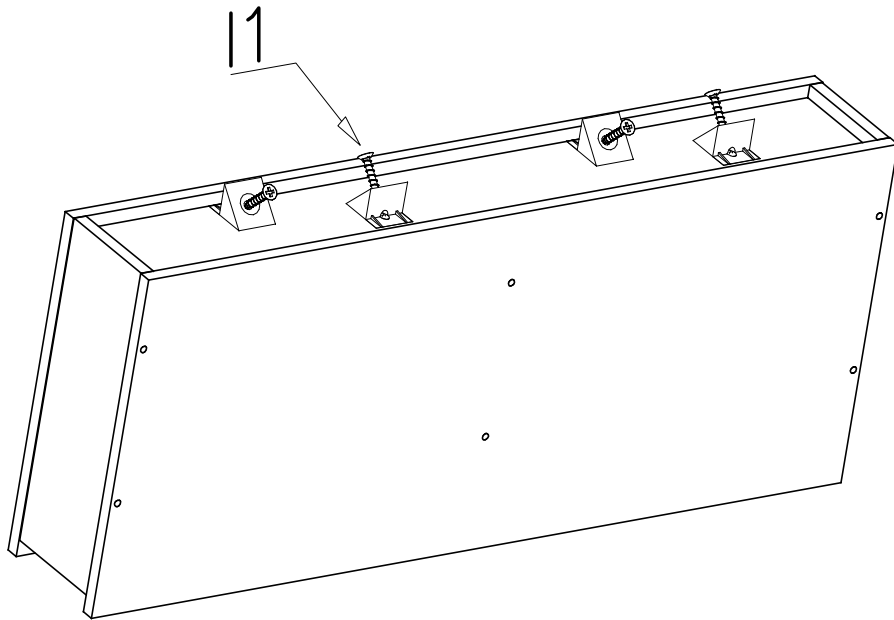
X



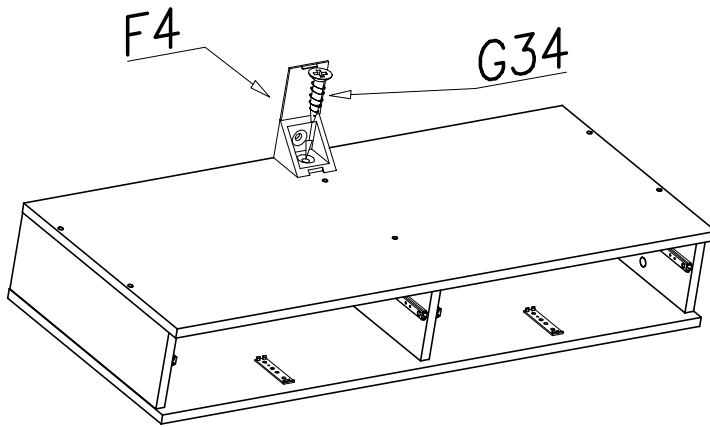
# XI



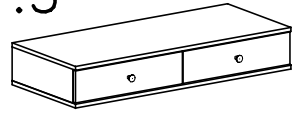
A=B



XII



ver.3



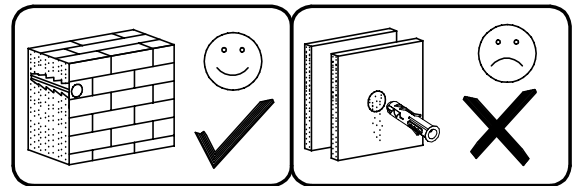
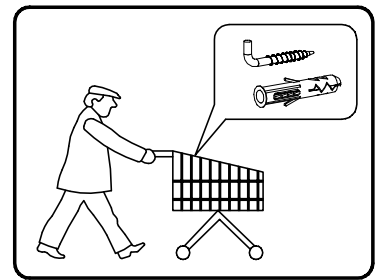
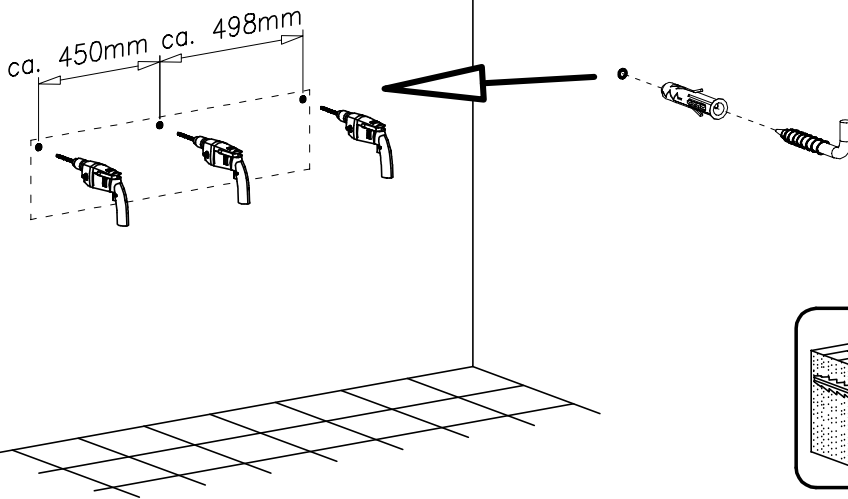
ver.4



PUSH

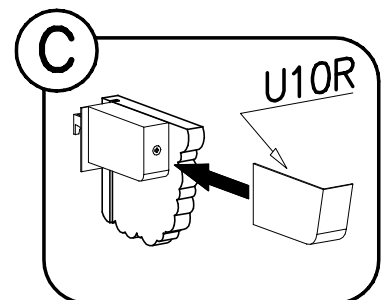
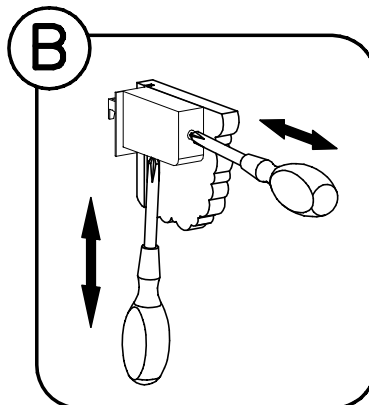
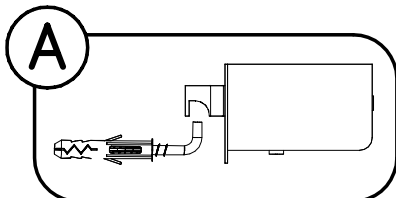
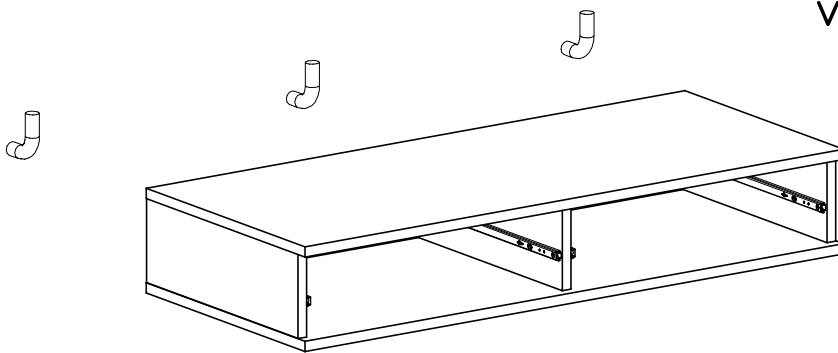
XIII

ver.3,4

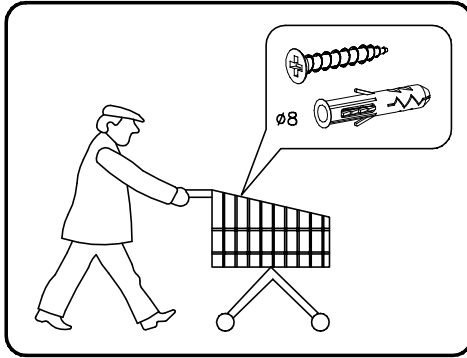
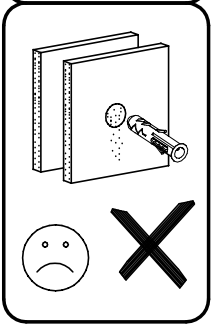
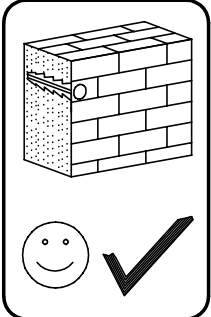


XIV

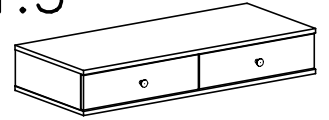
ver.3,4



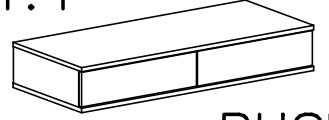
XV



ver.3

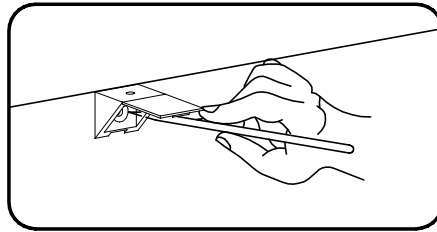


ver.4

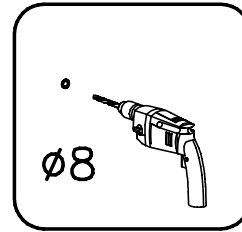


PUSH

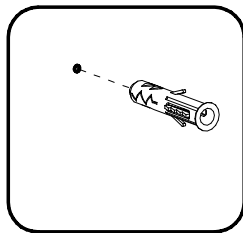
1



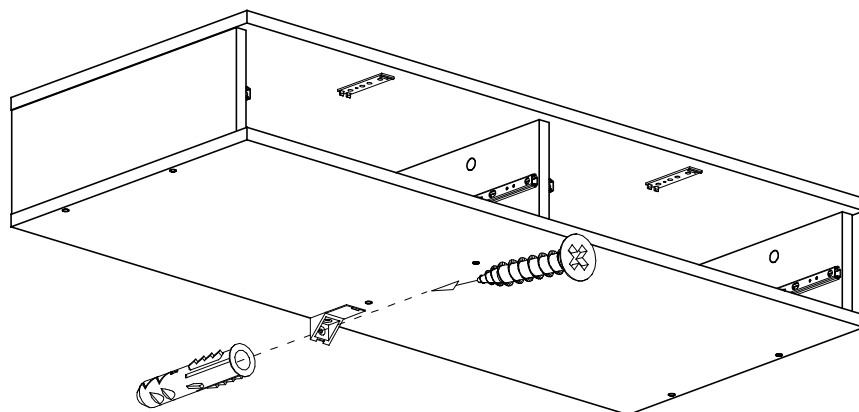
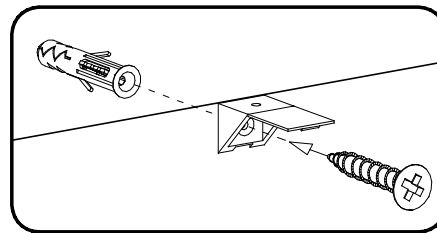
2



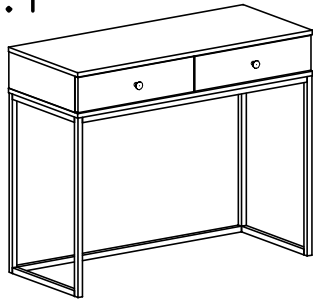
3



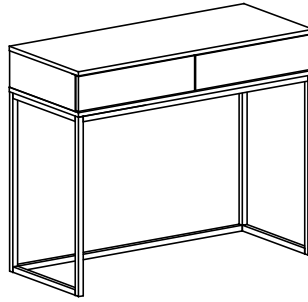
4



ver.1

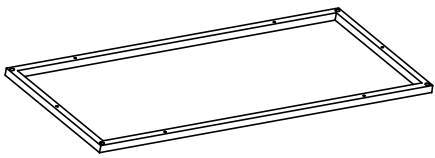


ver.2



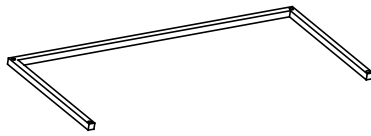
PUSH

A



x1

B



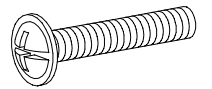
x1

C



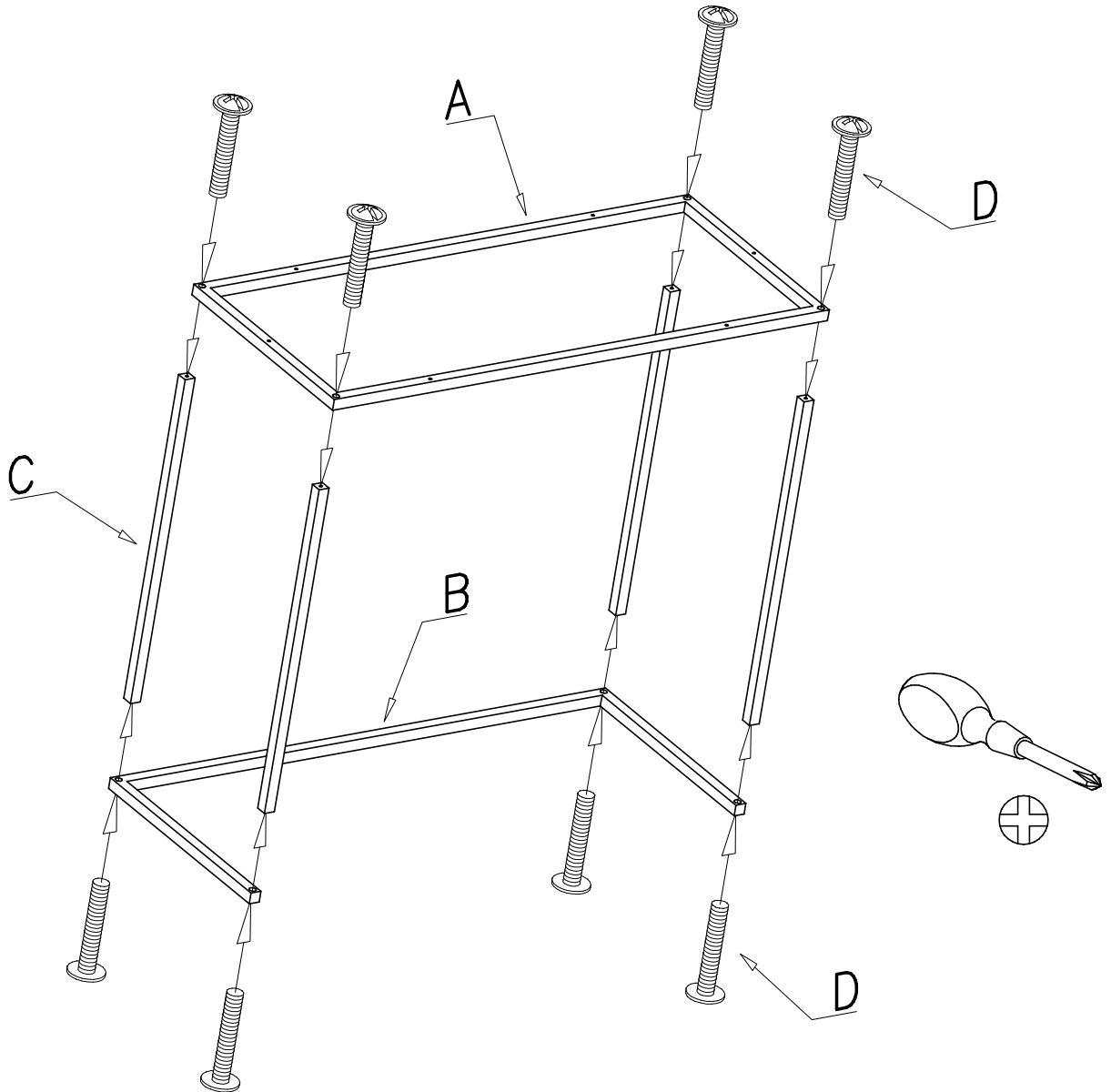
x4

D

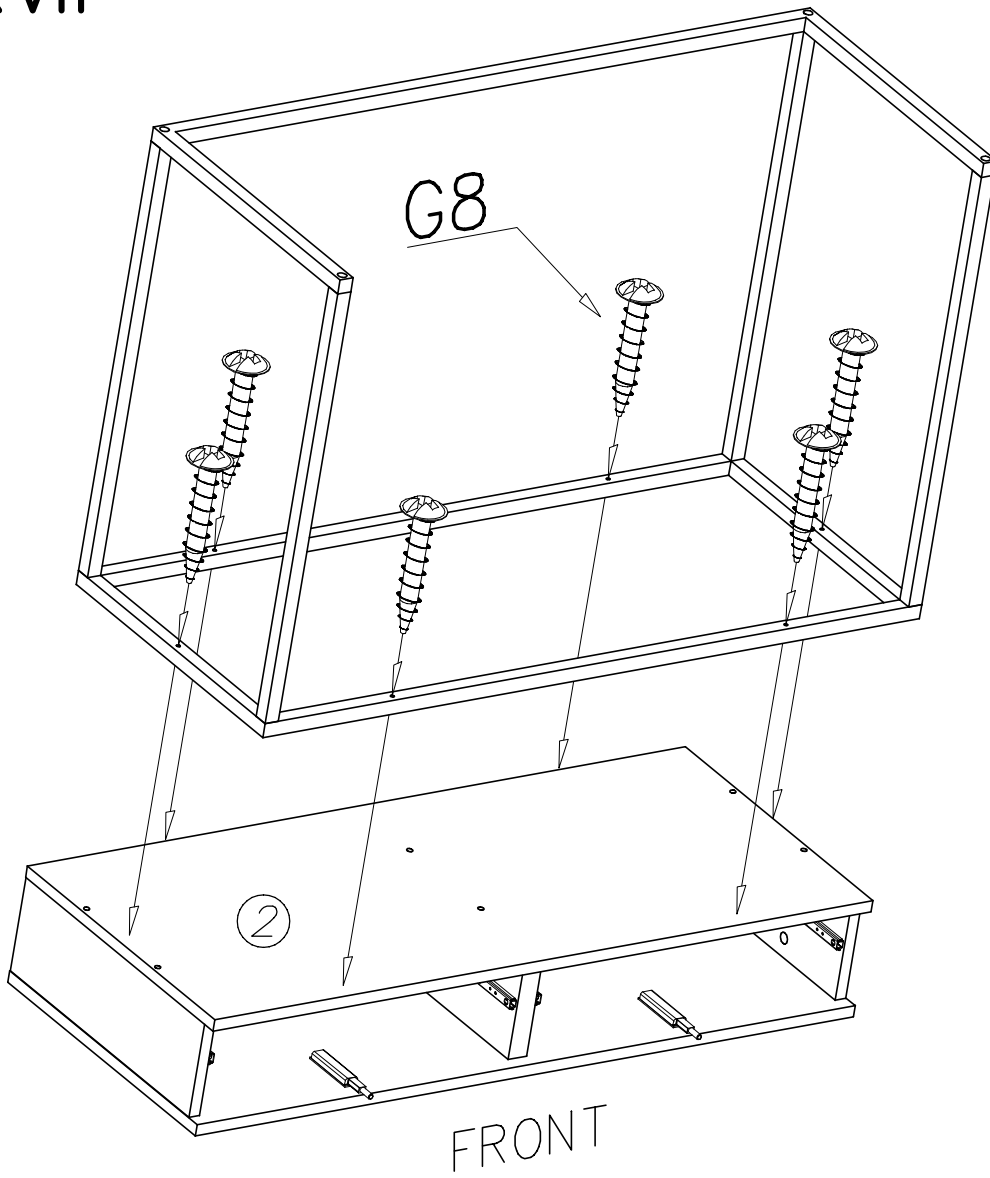


x8

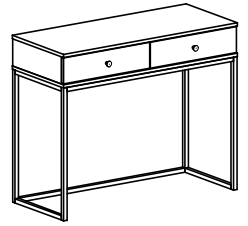
XVI



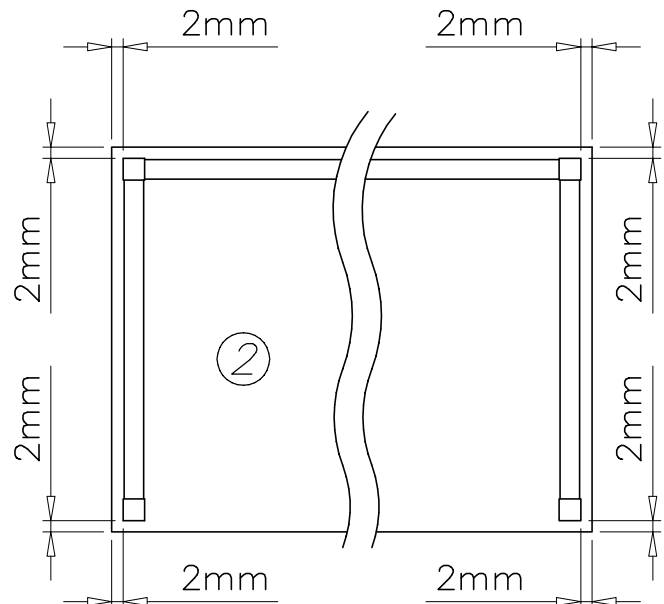
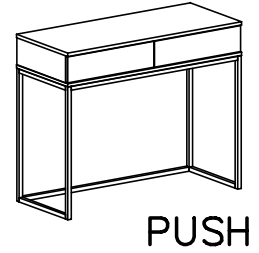
# XVII



ver.1

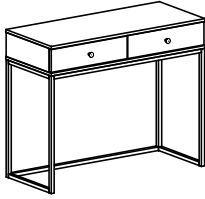


ver.2

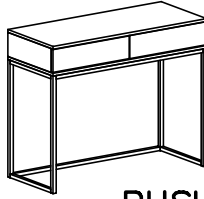


# XVIII

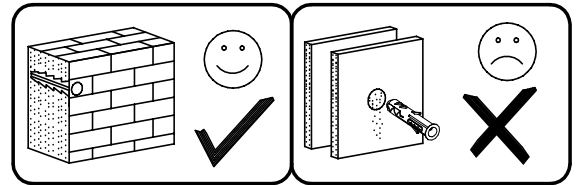
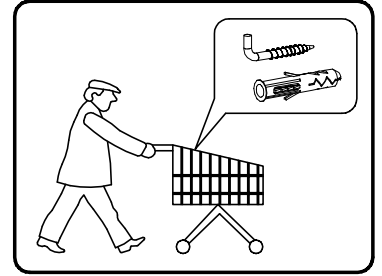
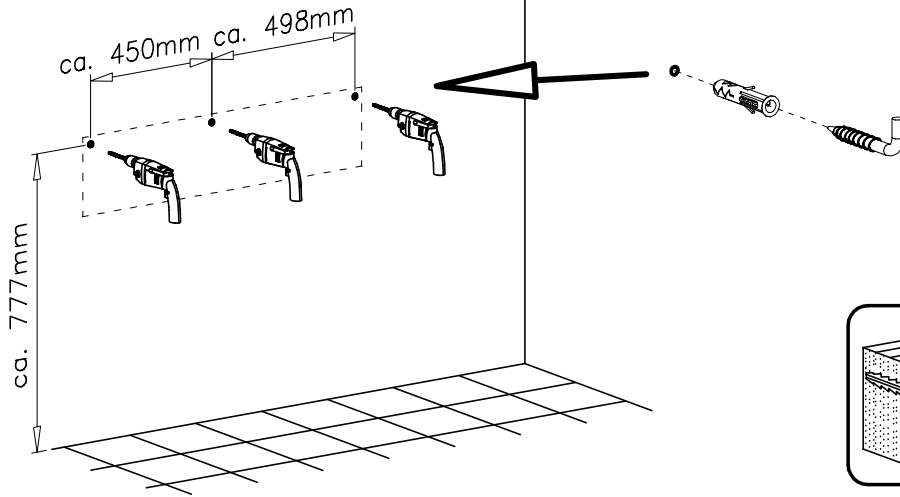
ver.1



ver.2

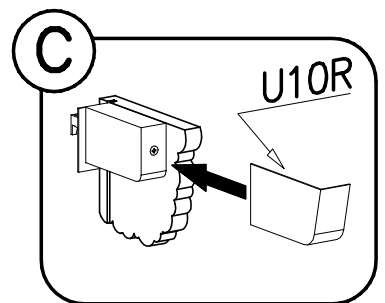
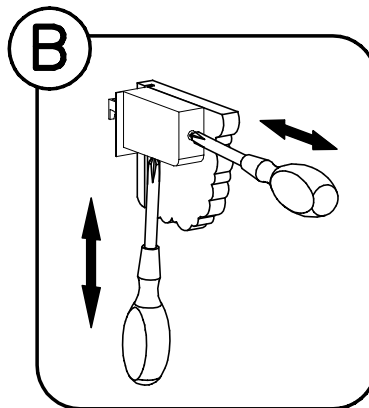
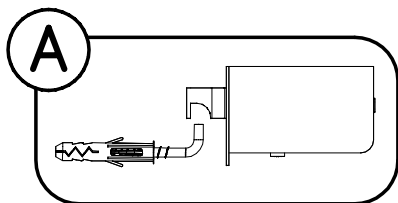
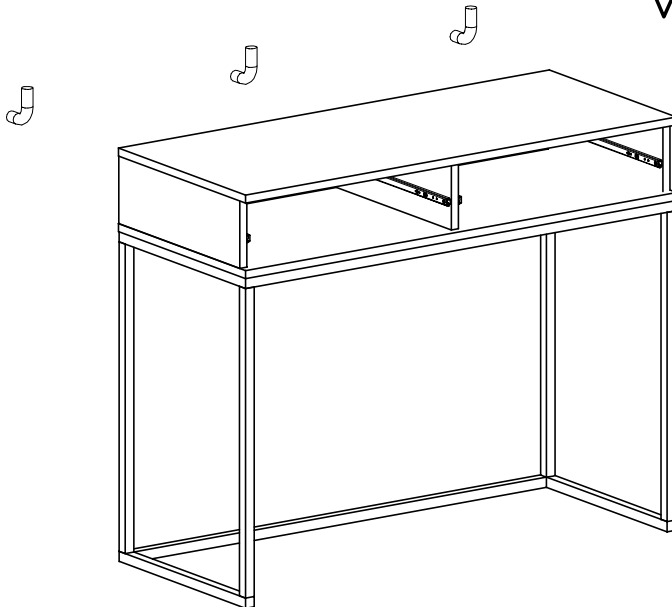


PUSH



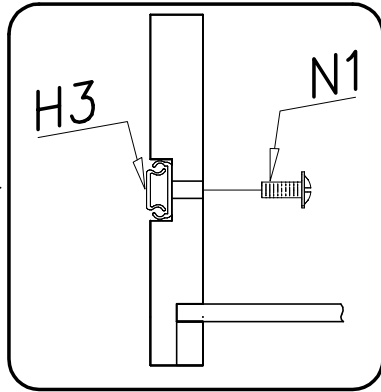
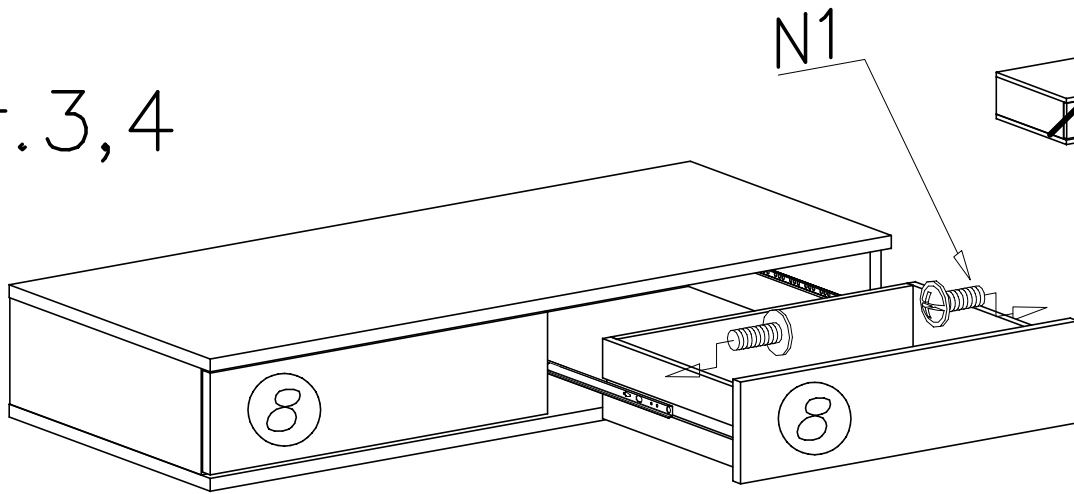
# XIX

ver.1,2

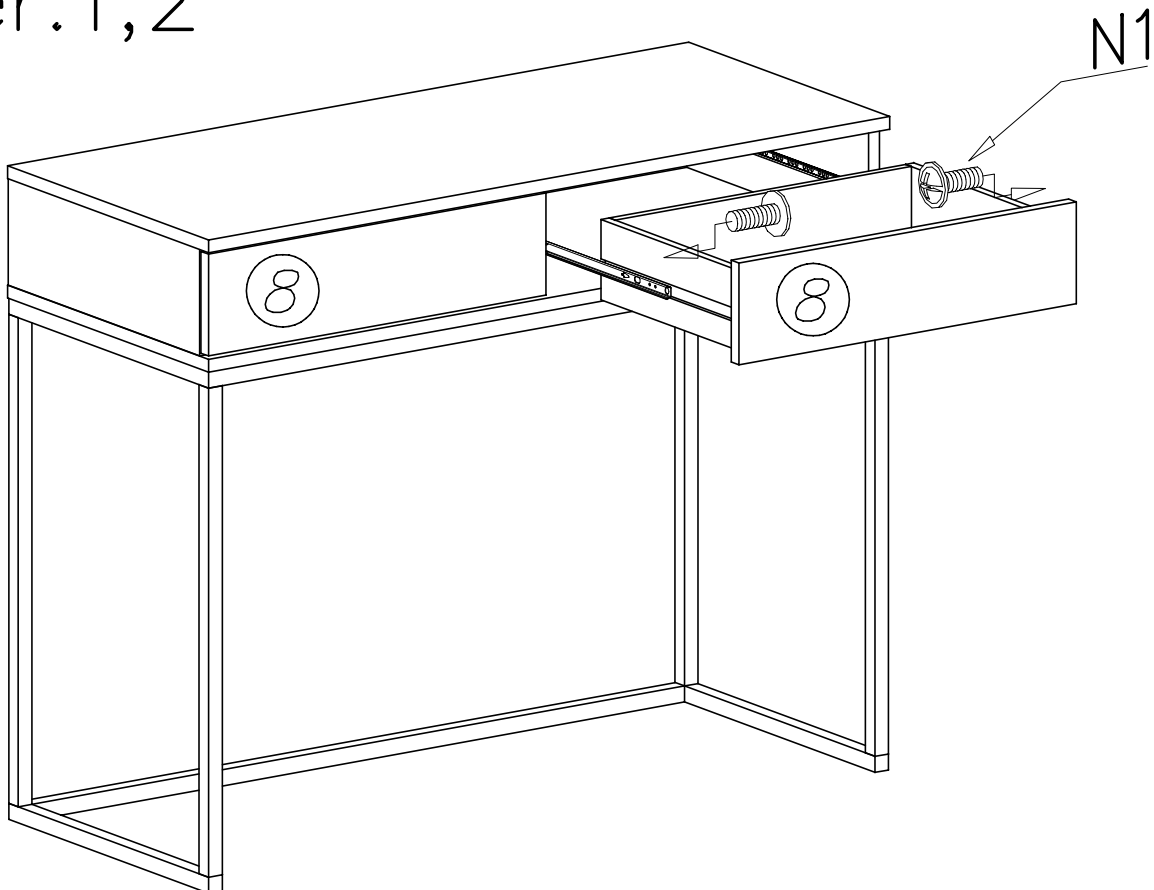


XX

ver. 3,4



ver. 1,2





Uwaga • Upozornění • Achtung • Attention • Caution • Figyelem  
 Attenzione • Opgelet • Внимание • Atenție • Upozornenie • Dikkat

