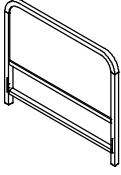
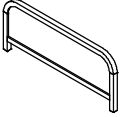





C.KING BED ASSEMBLY INSTRUCTIONS

BOX 1 - HEADBOARD-FOOTBOARD

PART NO.	IMAGE	DESCRIPTION	QUANTITY
A		HEADBOARD	1
B		FOOTBOARD	1


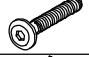

BOX 2 - SIDERAILS

PART NO.	IMAGE	DESCRIPTION	QUANTITY
C		SIDERAIL	2
D		CENTER SLAT	1
E		LEG SUPPORT	4

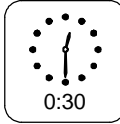
BOX 3 - SLAT ROLL

PART NO.	IMAGE	DESCRIPTION	QUANTITY
F		SLAT ROLL	1

HARDWARE KIT PACKED IN BOX 1

1		WOOD SCREW (8X30mm)	9
2		ALLEN BOLT (6X40mm)	11
3		ALLEN KEY	1

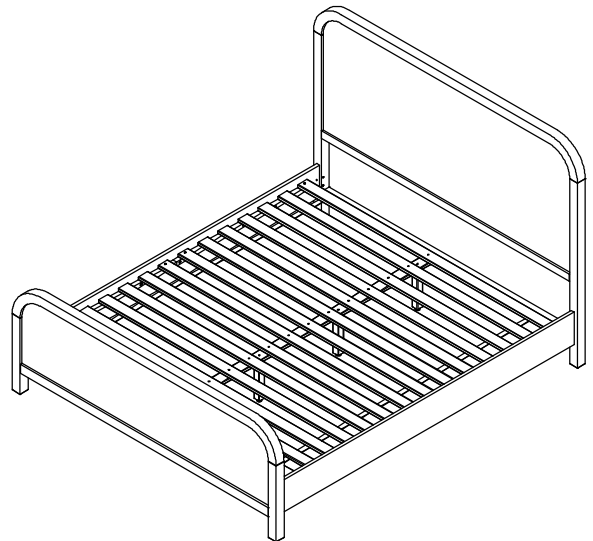
YOUR BOX MAY CONTAIN
EXTRA HARDWARE



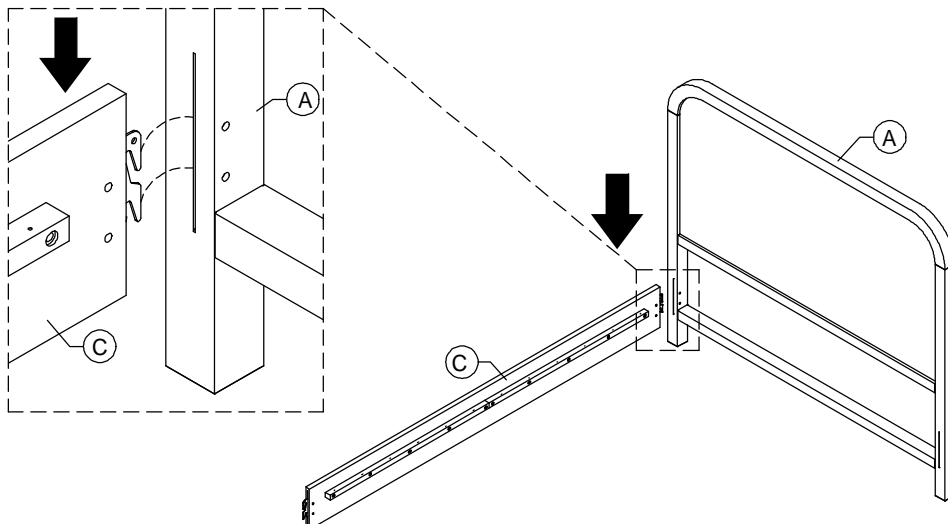
NOT PROVIDED

ASSEMBLE ON A SOFT SURFACE

FULLY ASSEMBLED

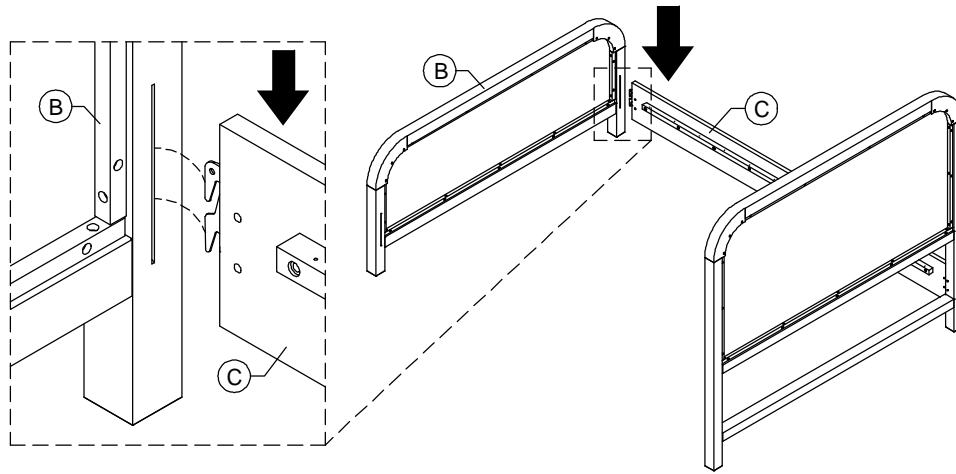


STEP 1 :

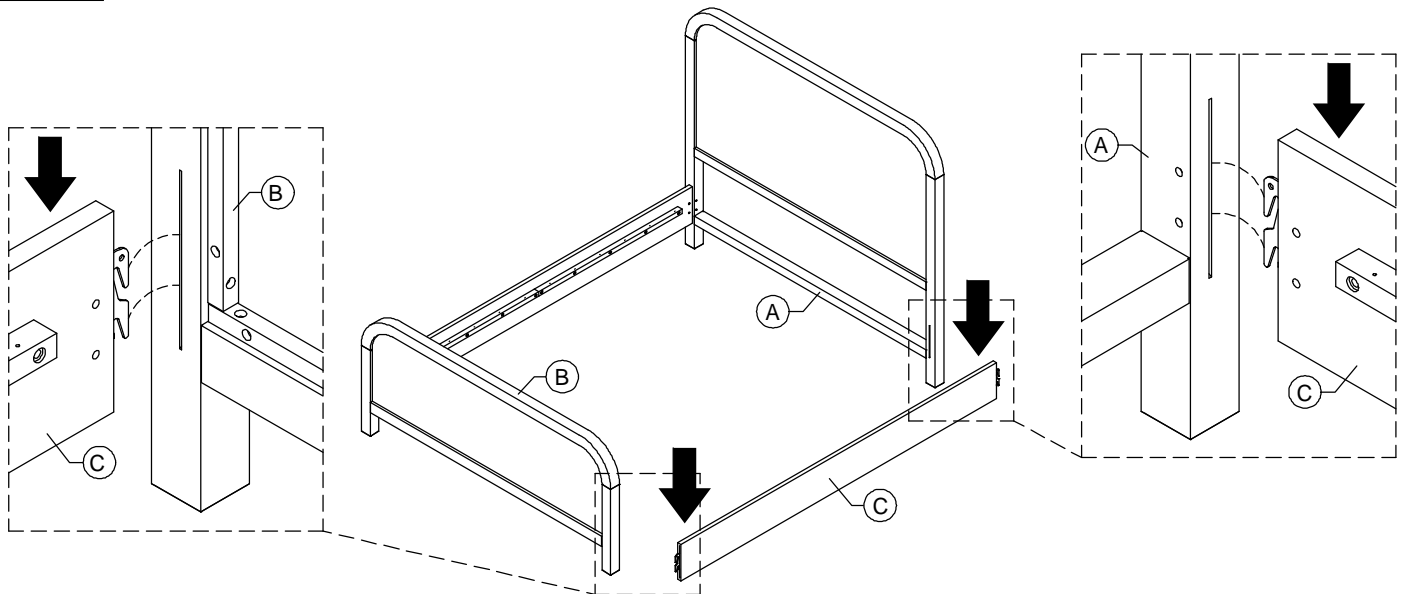


C.KING BED ASSEMBLY INSTRUCTIONS

STEP 2 :



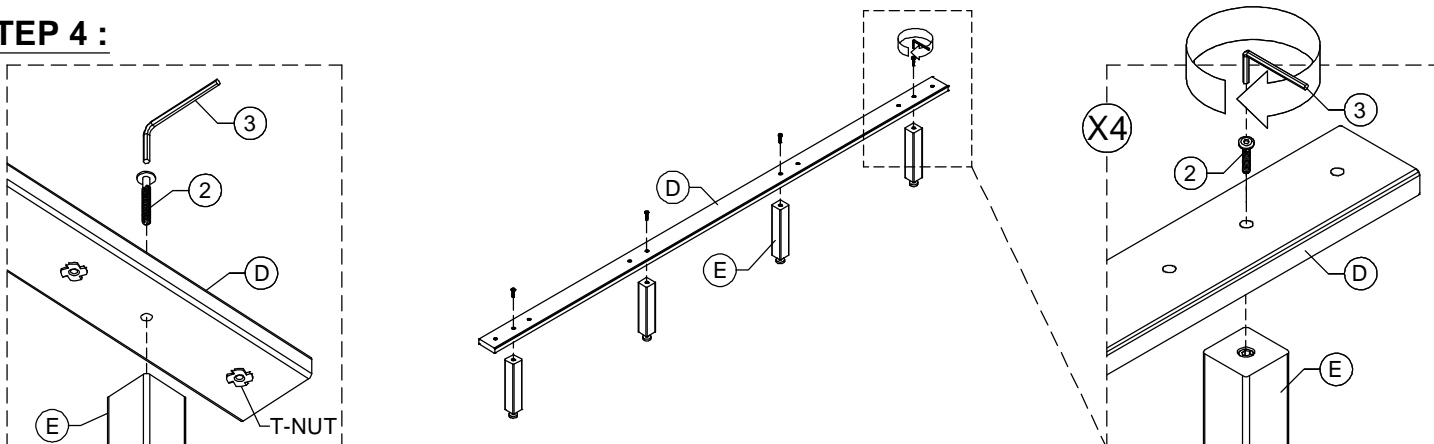
STEP 3 :



STOP

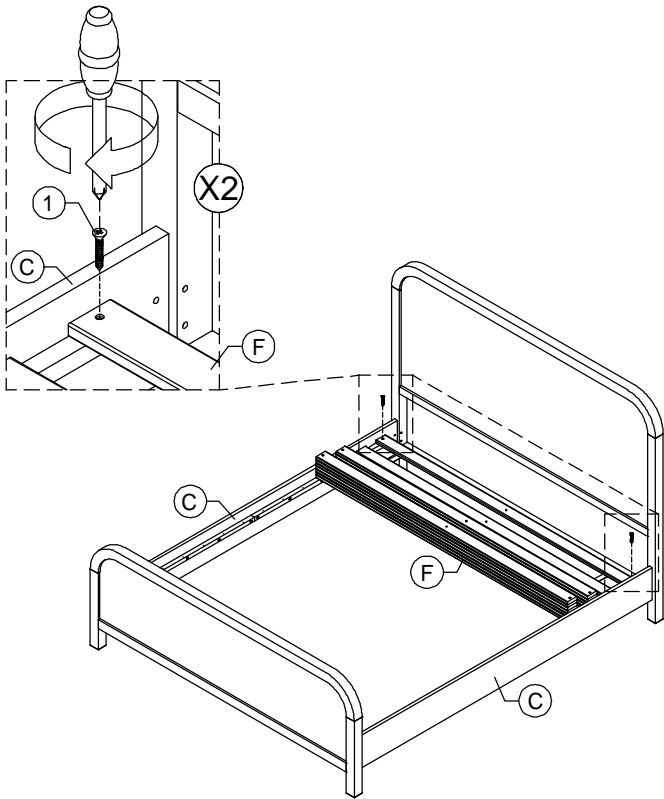
- IF USING BED FRAME WITH ADJUSTABLE MATTRESS BASE, SKIP TO APPENDIX A: ADJUSTABLE MATTRESS BASE ASSEMBLY SUPPLEMENT.
- IF USING BED FRAME WITH STANDARD BOX SPRING OR FOUNDATION CONTINUE TO STEP 4.

STEP 4 :

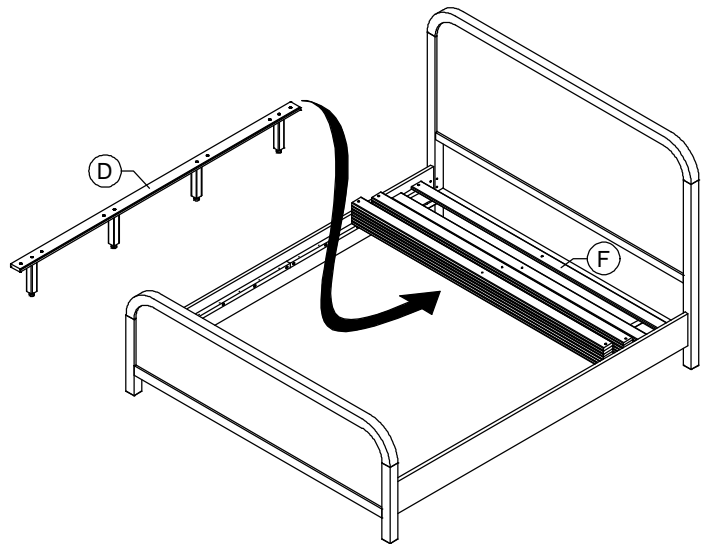


C.KING BED ASSEMBLY INSTRUCTIONS

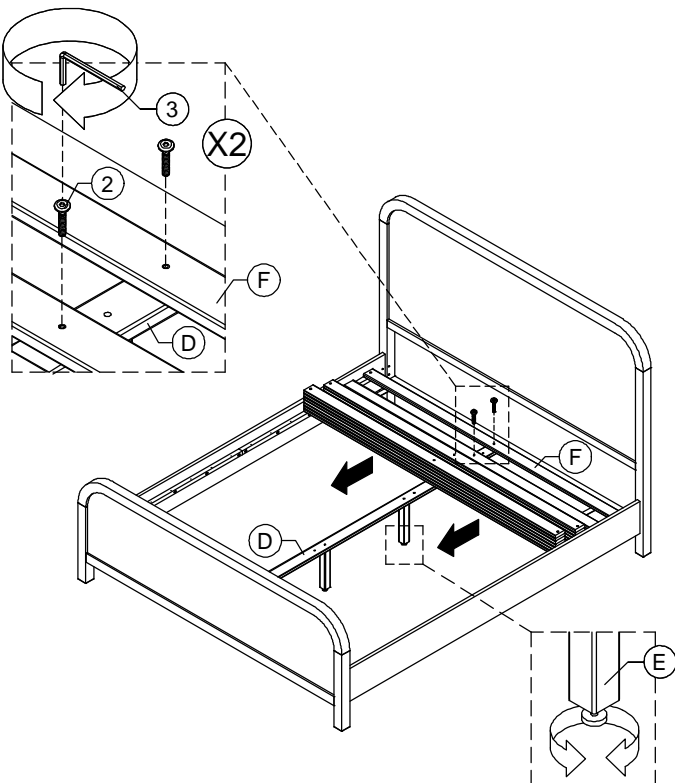
STEP 5 :



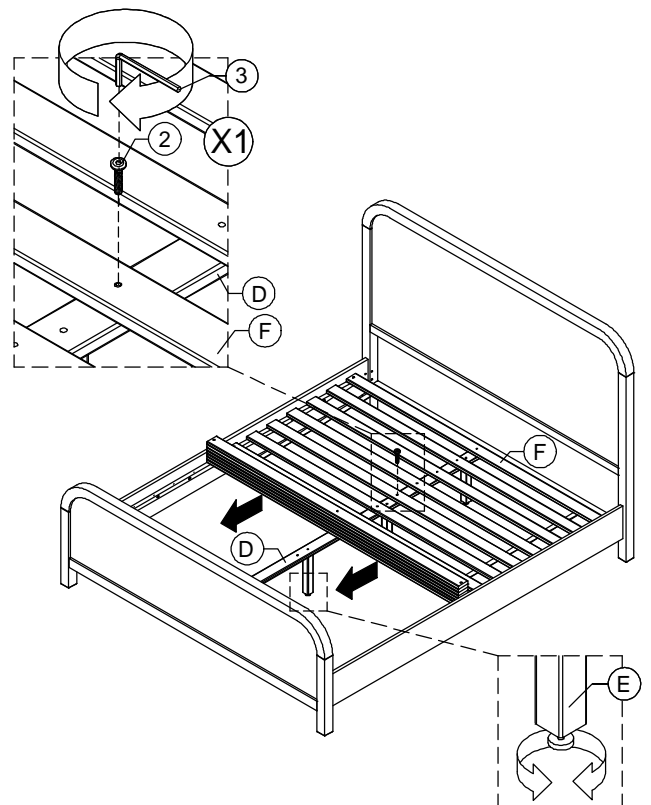
STEP 6 :



STEP 7 :

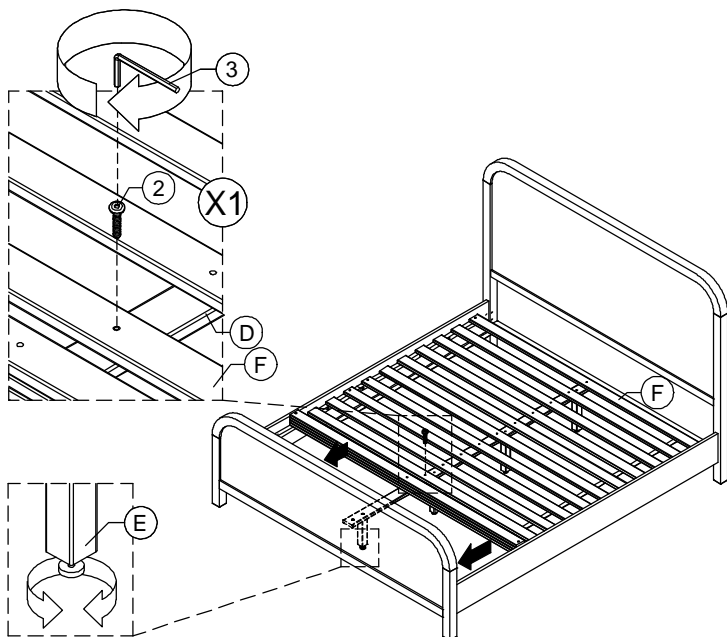


STEP 8 :

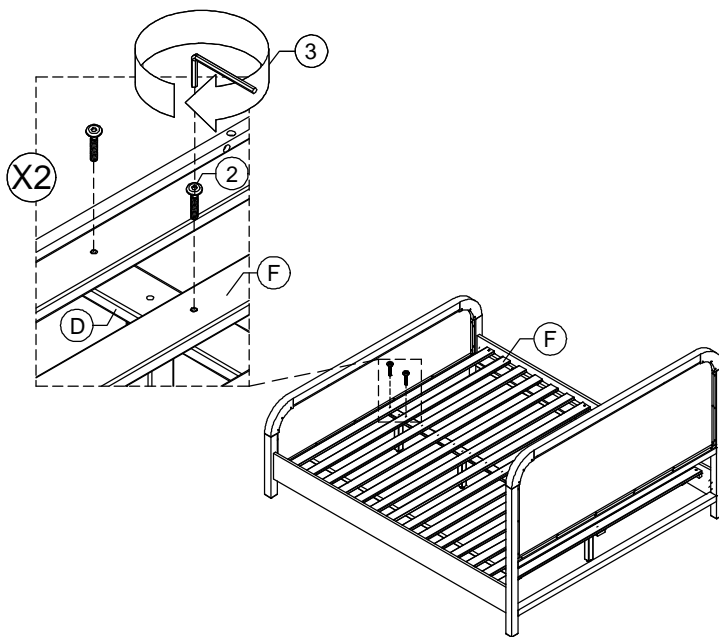


C.KING BED ASSEMBLY INSTRUCTIONS

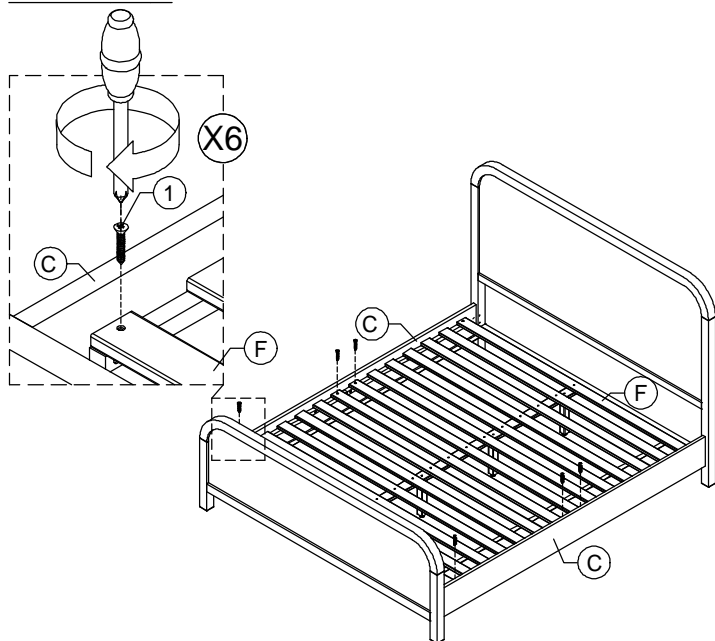
STEP 9 :



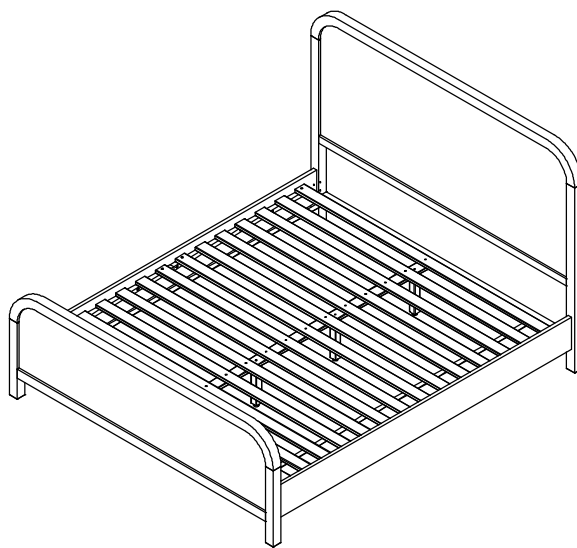
STEP 10 :



STEP 11 :



STEP 12 :



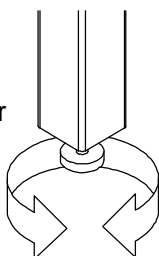
ASSEMBLY COMPLETE

INSTRUCTIONS FOR ADJUSTING LEVELER :

Position the bed in your space and locate the leveler under each leg support (E).

Turn the leveler counter-clockwise to extend the leveler and clockwise to retract it.

Adjust each leveler until each leg support is applying equal, upward pressure on the center slat.



MAINTENANCE INSTRUCTIONS :

- Periodically check all fittings and tighten if necessary, as they can loosen over time.
- Always remove box spring and mattress before moving the bed.
- Lift the bed when moving it. Dragging the bed can damage the center support.
- Readjust levelers after moving the bed.

C.KING BED

APPENDIX A: ADJUSTABLE MATTRESS BASE ASSEMBLY SUPPLEMENT

AN ADJUSTABLE MATTRESS BASE IS A FREESTANDING MATTRESS SUPPORT THAT SITS WITHIN THE PERIMETER OF THE BED FRAME.

IF USING THIS BED FRAME WITH A STANDARD BOX SPRING OR FOUNDATION THESE INSTRUCTIONS DO NOT APPLY.

PRE-ASSEMBLED SIDE RAIL CLEATS OBSTRUCT ADJUSTABLE BASE INSTALLATION AND OPERATION. FOLLOW THESE INSTRUCTIONS TO REMOVE THEM.

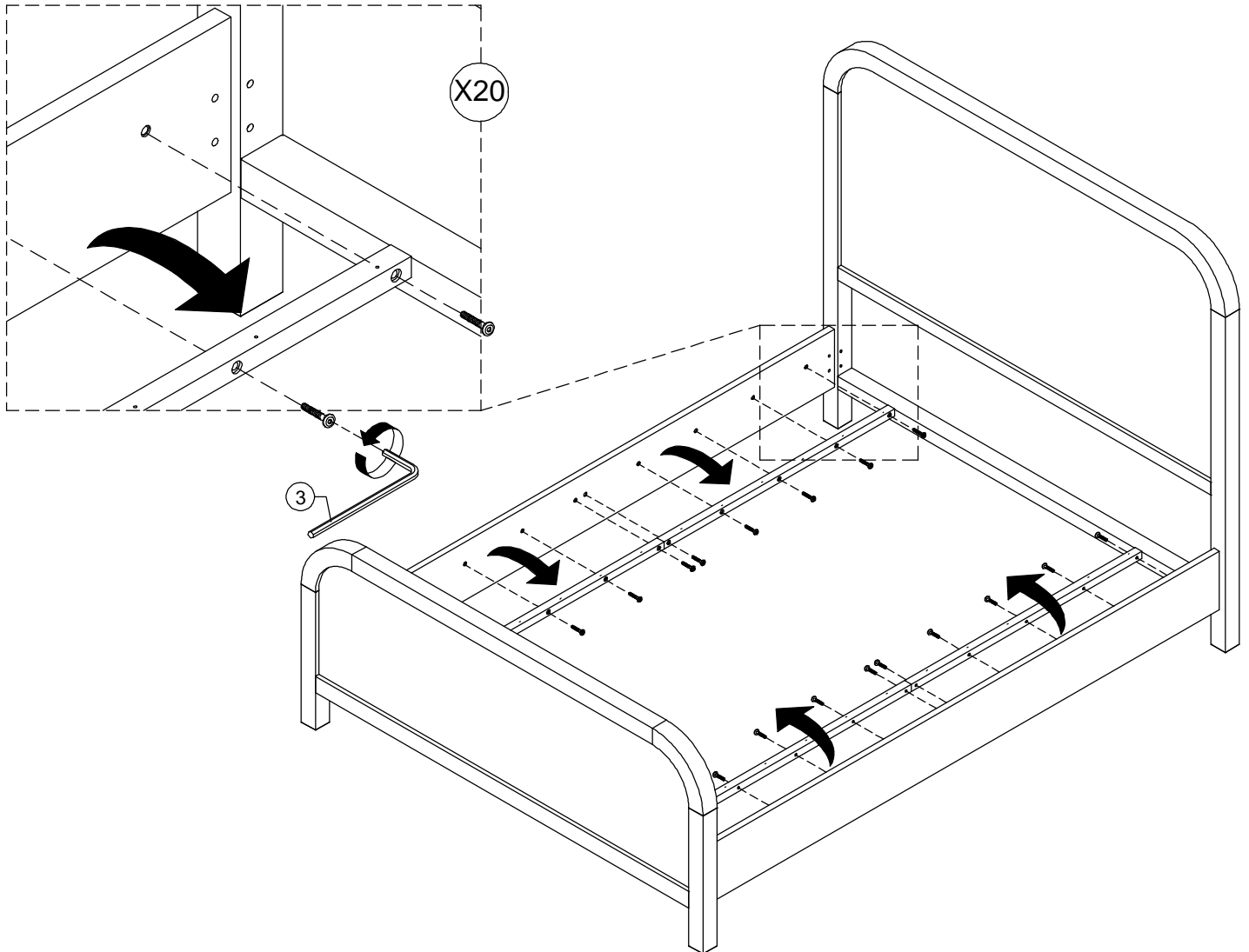
THE FOLLOWING PARTS ARE NOT REQUIRED FOR ADJUSTABLE MATTRESS BASE INSTALLATION:

D. CENTER SLAT 1PC
E. LEG SUPPORT 4PCS
F. SLAT ROLL 1SET

1. WOOD SCREW (8X30mm) 9PCS
2. ALLEN BOLT (6X40mm) 11PCS

STEP 1 :

USE ALLEN KEY (3) TO UNSCREW ALLEN BOLTS AND REMOVE PRE-ASSEMBLED SIDE RAIL CLEATS.



NOTE: YOU MAY WISH TO RETAIN UNUSED PARTS IF IN THE FUTURE YOU INTEND TO USE THE BED FRAME WITH A STANDARD BOX SPRING OR FOUNDATION.