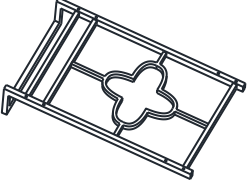



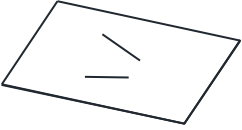
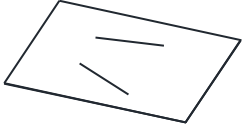
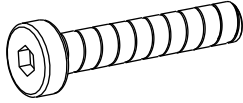


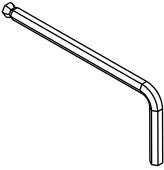

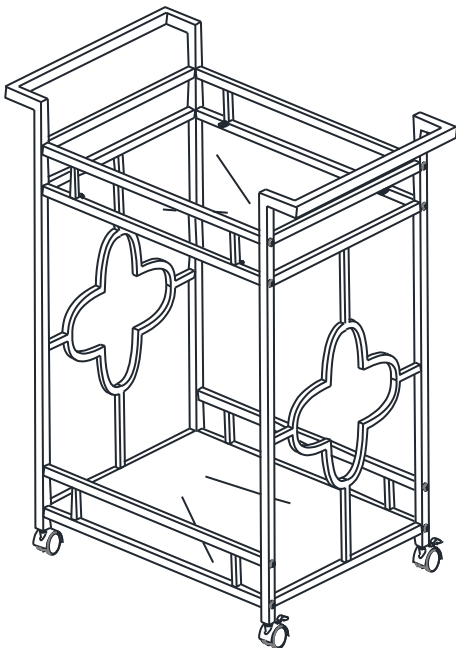


ASSEMBLY INSTRUCTION

FLORAL BAR CART

| | | | |
|---|---|---|--|
| A Side Frame | B Side Panel | C Caster | D Caster With Brake |
|  <p>2pcs</p> |  <p>4pcs</p> |  <p>2pcs</p> |  <p>2pcs</p> |
| E Glass Top | F Mirror Shelf | G Bolt | H Glass Pad |
|  <p>1pc</p> |  <p>1pc</p> |  <p>16pcs 1/4" x 1-3/4"</p> |  <p>8pcs 10mm</p> |
| I Bolt Cover | J Allen Wrench | K Open Wrench | |
|  <p>16pcs 1/4"</p> |  <p>1pc 1/4"</p> |  <p>1pc 10mm</p> | |

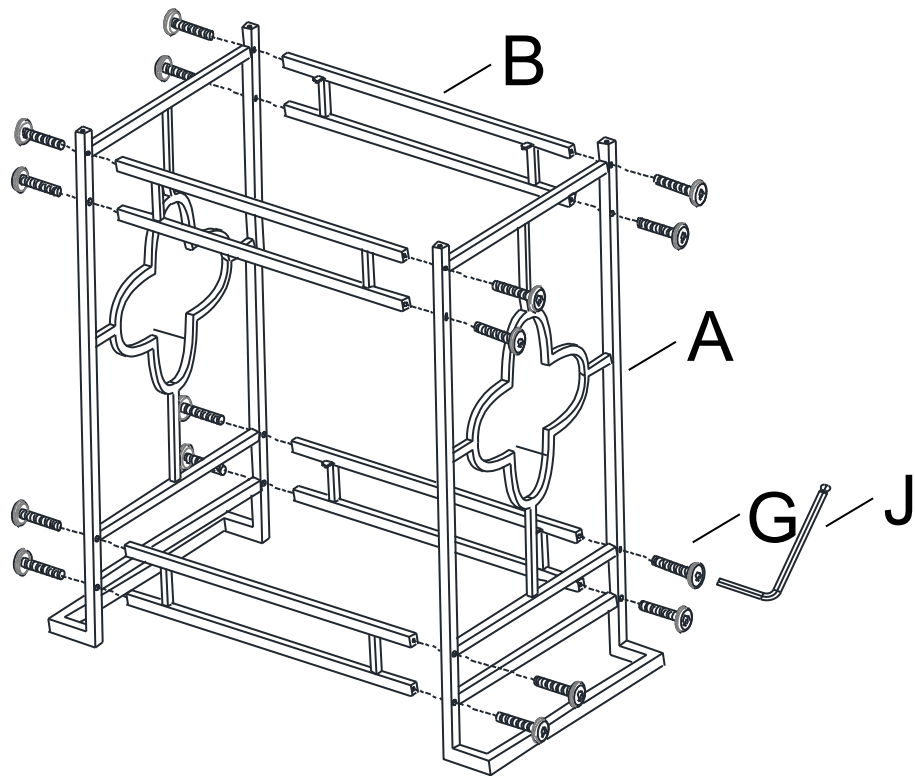


This page lists all the contents included in the box. Please take the time to identify the hardware as well as the individual components to this product. As you unpack and prepare for assembly, place the contents on a carpeted or padded area to protect them from damage.

***** Do not tighten screws & bolts until the entire unit is completely assembled.**

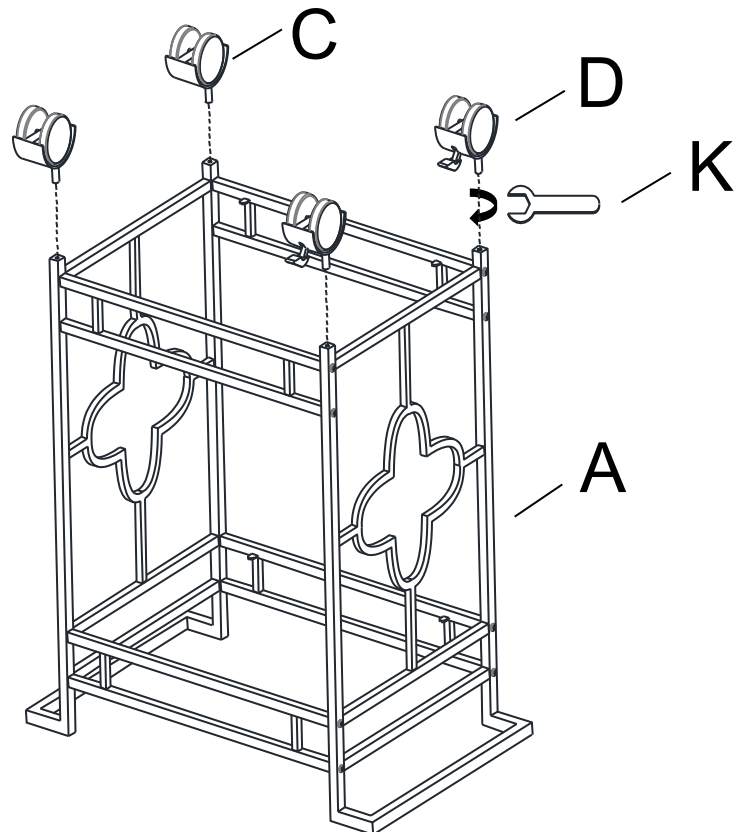
1

Attach Side Panel (B) to Side Frame (A) by Bolt (G) and Allen Wrench (J) as shown.

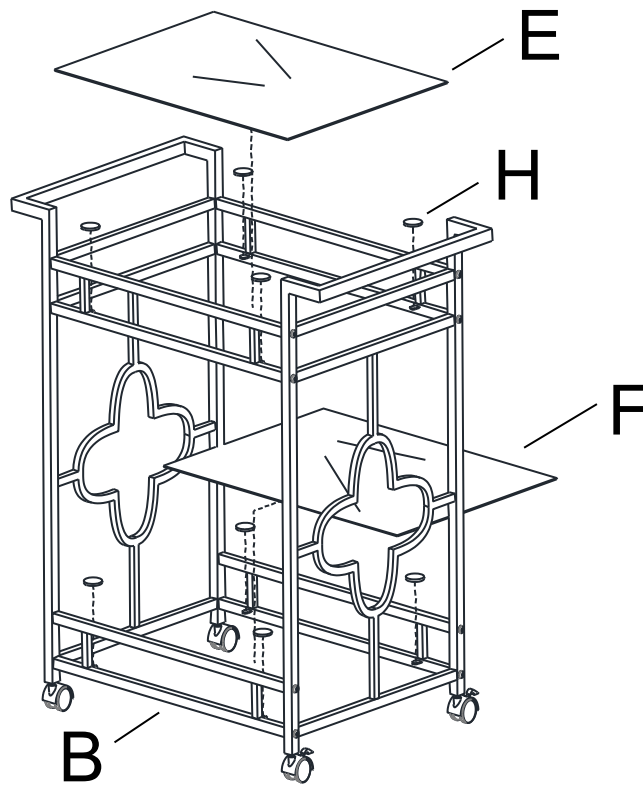


2

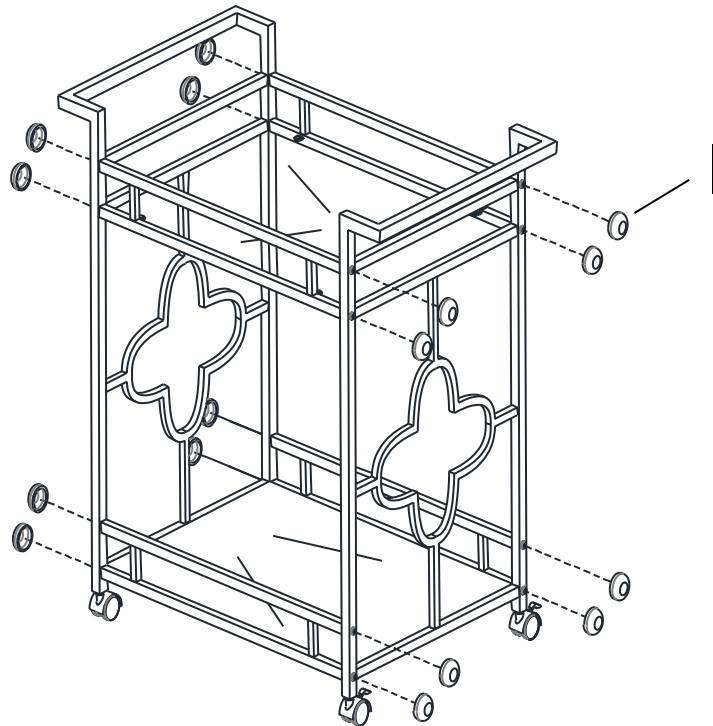
Attach Caster (C) and Caster With Brake (D) to the bottom of Side Frame (A) by Open Wrench (K) as shown.



- 3** Attach Glass Pad (H) to Side Panel (B), then place Glass Top (E) and Mirror Shelf (F) as shown.



- 4** Cover the bolt head by Bolt Cover (I) as shown.



Cleaning & Care

Treat surface with care. Surface is resistant to scratches but is not scratch resistant. Clean surfaces with a dry or damp soft cloth. Do not use abrasive cleaners. Hardware may loosen over time. Periodically check that all connections are tight.