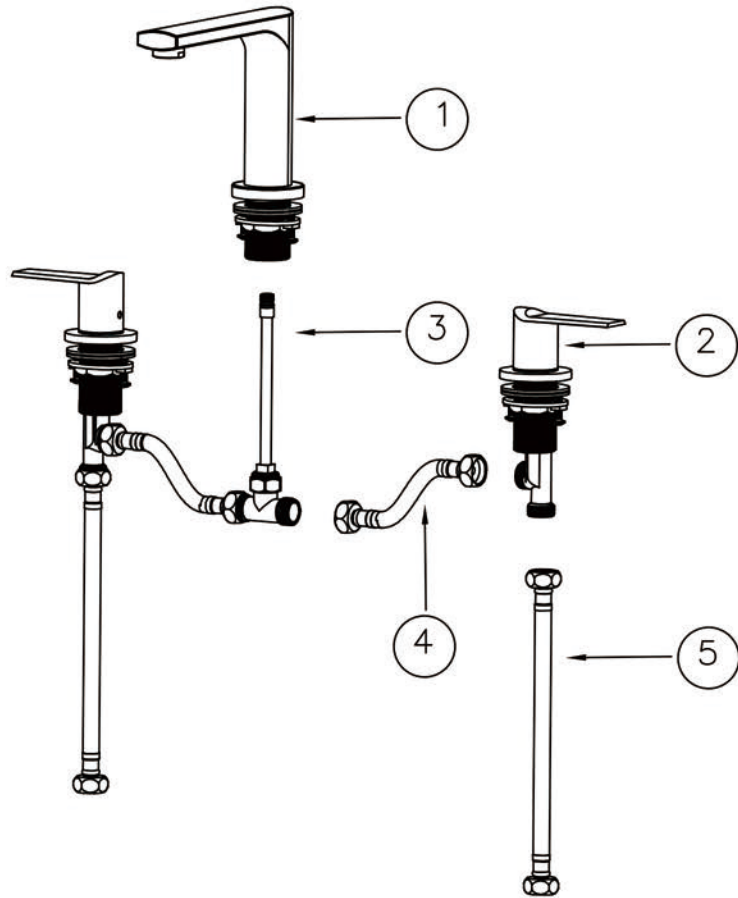
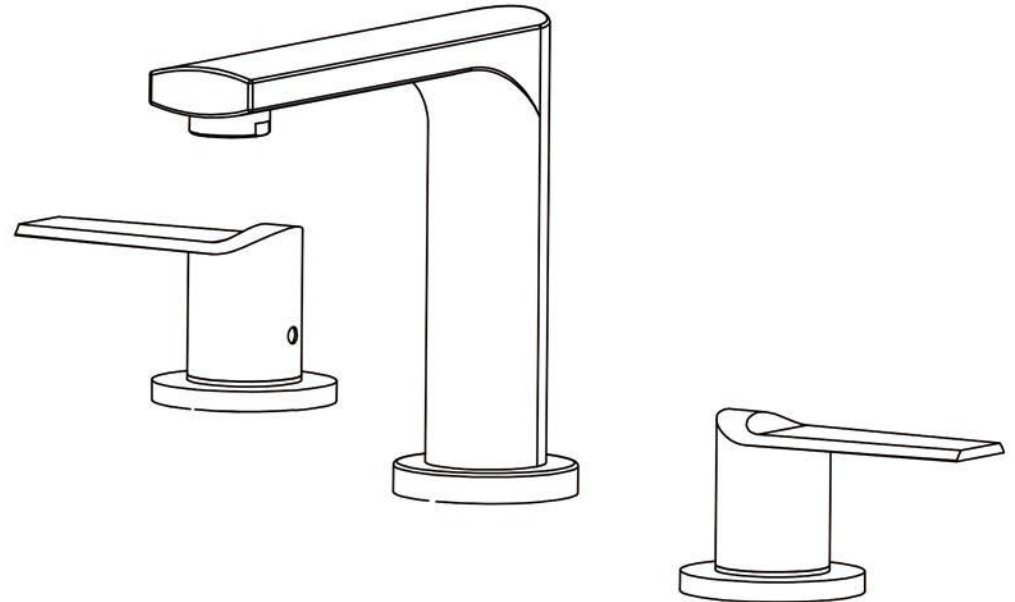


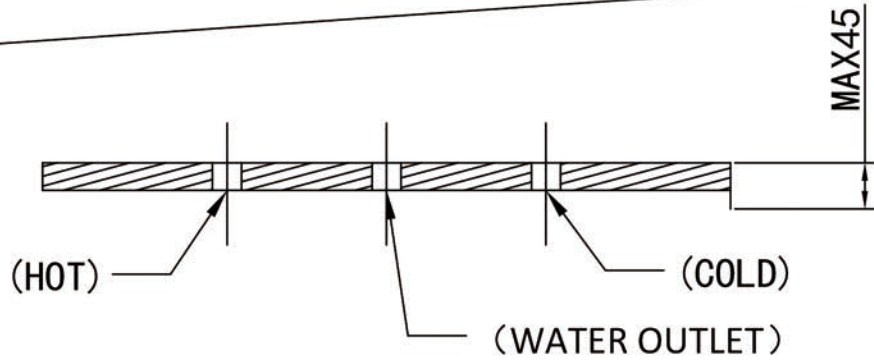
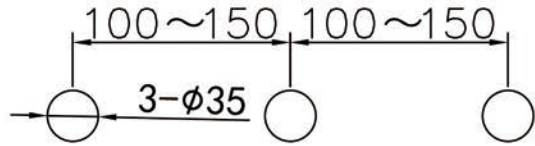
No.	Name	Qty
1	Faucet body	1
2	Side Body Assy	2
3	Center Tee	1
4	Hose	2
5	Hose	2



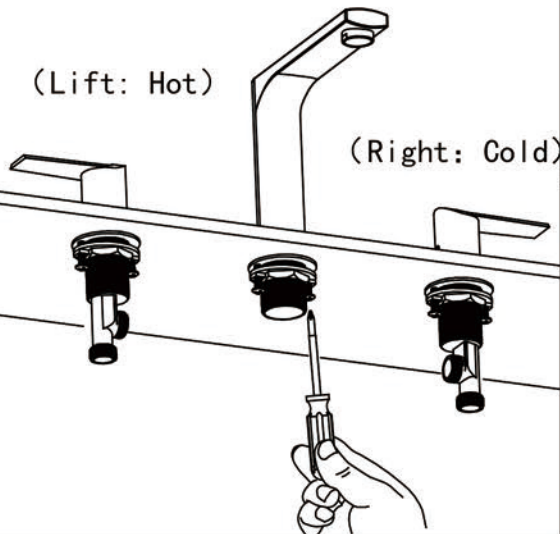
INSTRUCTION FOR INSTALLATION



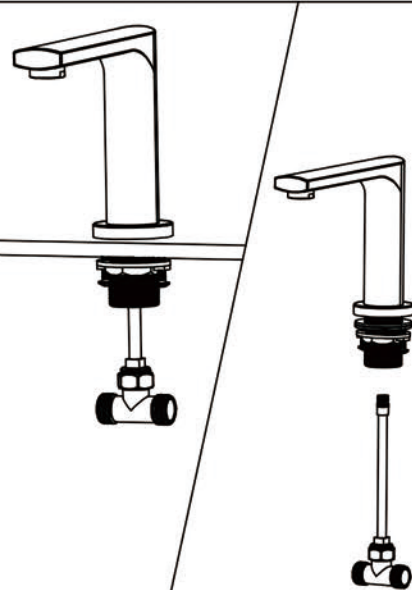
1 Make holes in the panel



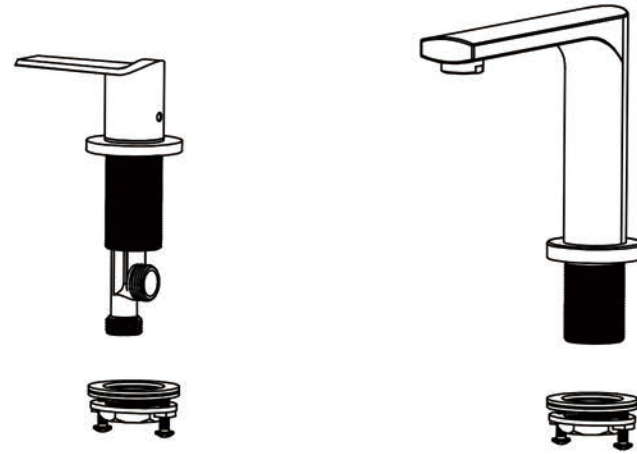
3 Instruct water outlet and valve element.



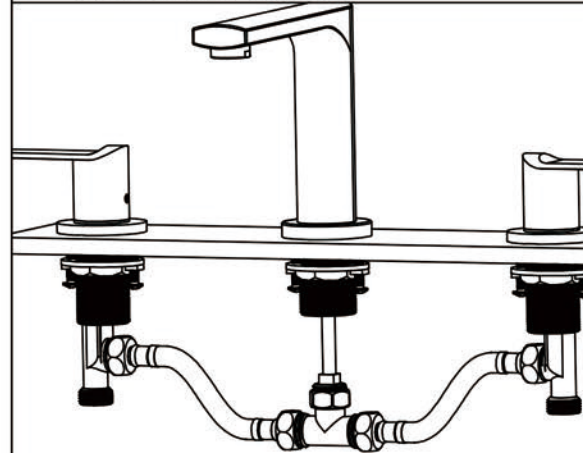
4 Install inlet of valve body.



2 Disassemble all parts under the main body.



5 Install hot and cold connection hoses and valves



6 Install water inlet hose

