













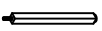

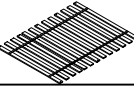

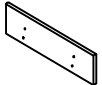

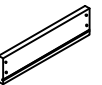

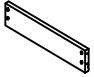

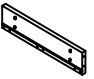

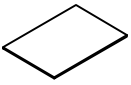
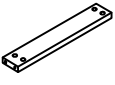
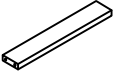

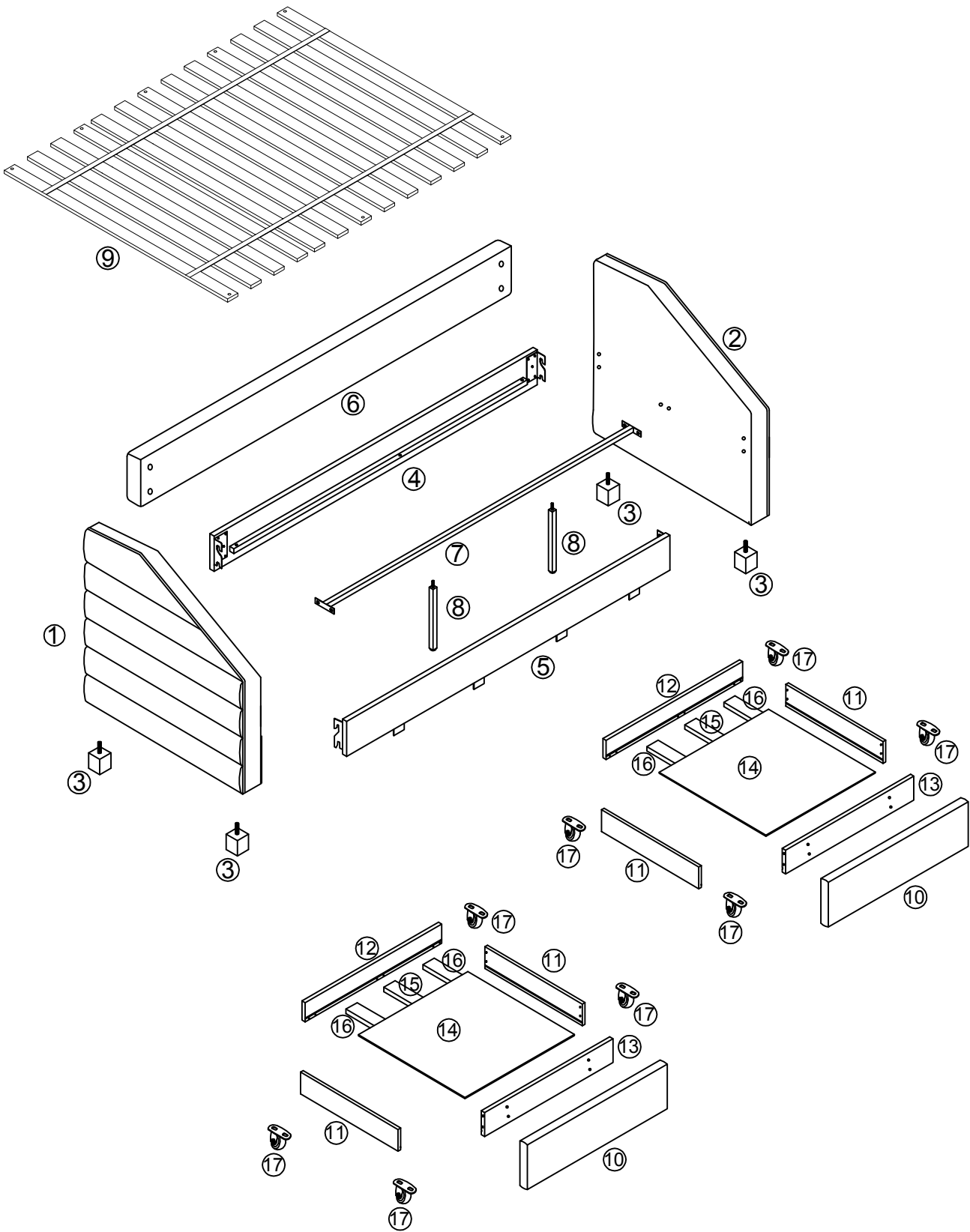
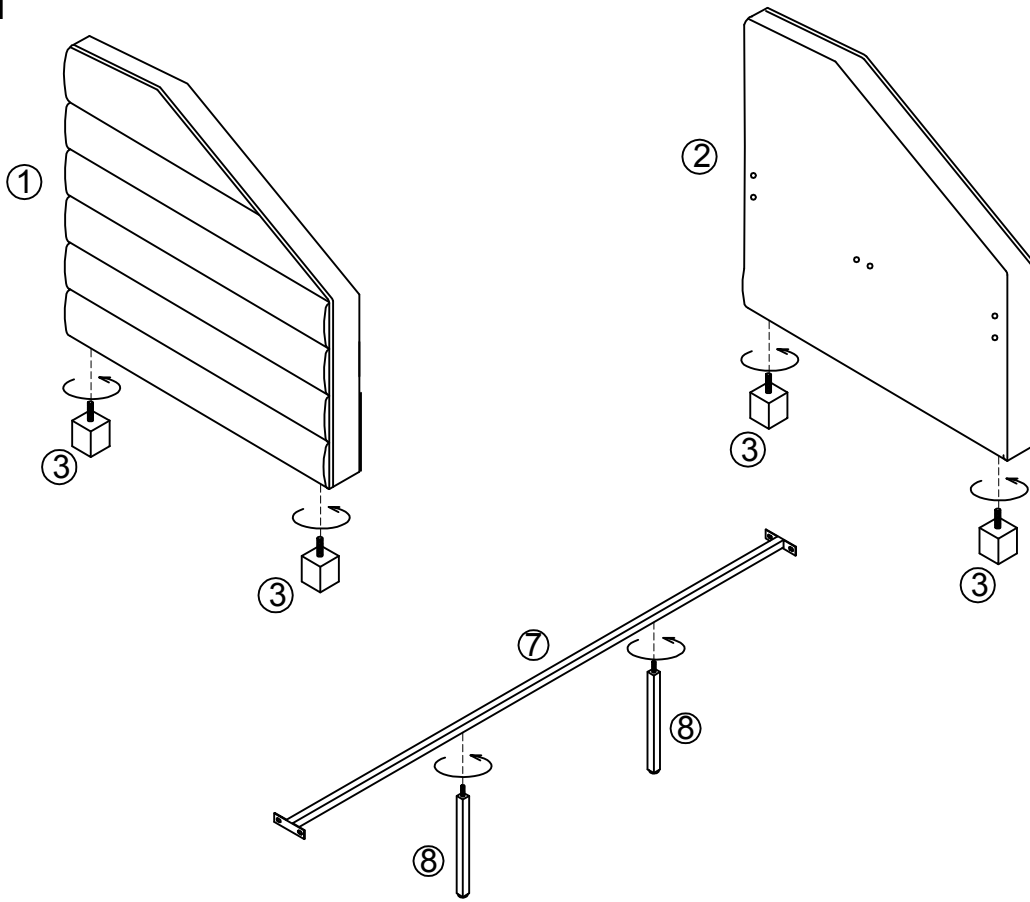


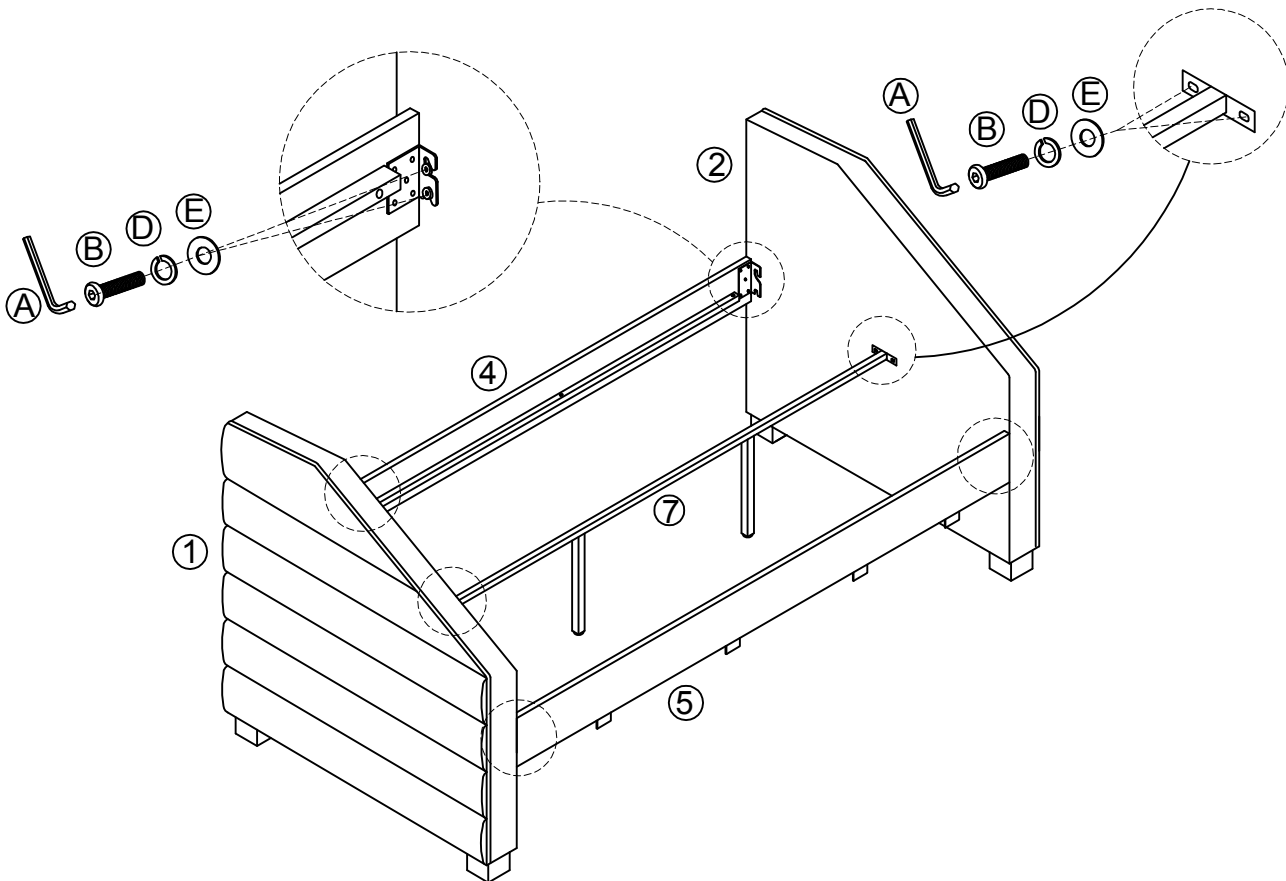
TOOLS REQUIRED				HARDWARE LIST			
PARTS LIST:							
NO	Description	Sketch	Quantity	NO	Sketch	Description	Quantity
1		Left Arm	1PC	A		Allen wrench M5	1PC
2		Right Arm	1PC	B		Bolt Ø5/16" x 1"	12PCS
3		Leg	4PCS	C		Bolt Ø5/16" x 2-1/2"	4PCS
4		Back Rail	1PC	D		Lock Washer $\frac{5}{16}$ "	16PCS
5		Front Rail	1PC	E		Flat Washer $\frac{5}{16}$ "x 21mm	16PCS
6		Back Rest	1PC	F		Allen wrench M4	1PC
7		Centre Rail	1PC	H		Bolt Ø1/4" x 5/8"	16PCS
8		Support Leg	2PCS	I		Bolt Ø1/4" x 1-1/8"	14PCS
9		Slats (13pcs)	1Set	J		Lock Washer 1/4"	30PCS
10		Drawer top panel	2PCS	K		Flat Washer 1/4"x 16mm	30PCS
11		Drawer Side panel	4PCS	L		Dowel Ø8X30mm	16PCS
12		Drawer Back panel	2PCS	M		Cam Bolt	24PCS
13		Drawer front panel	2PCS	N		Cam Lock	24PCS
14		Drawer Bottom panel	2PCS				
15		Drawer Bottom Centre Panel	2PCS				
16		Drawer Bottom Side Panel	4PCS				
17		Wheel	8PCS				



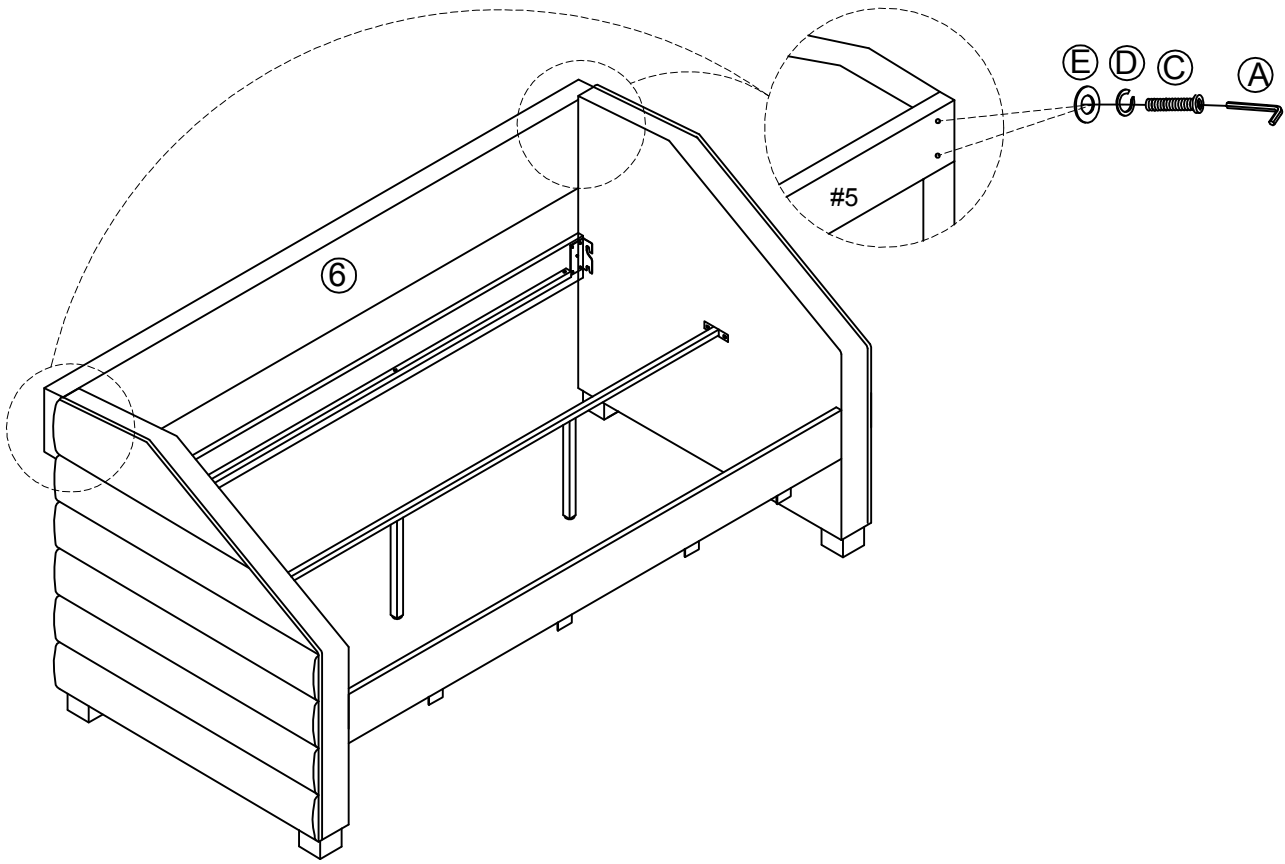
STEP 1



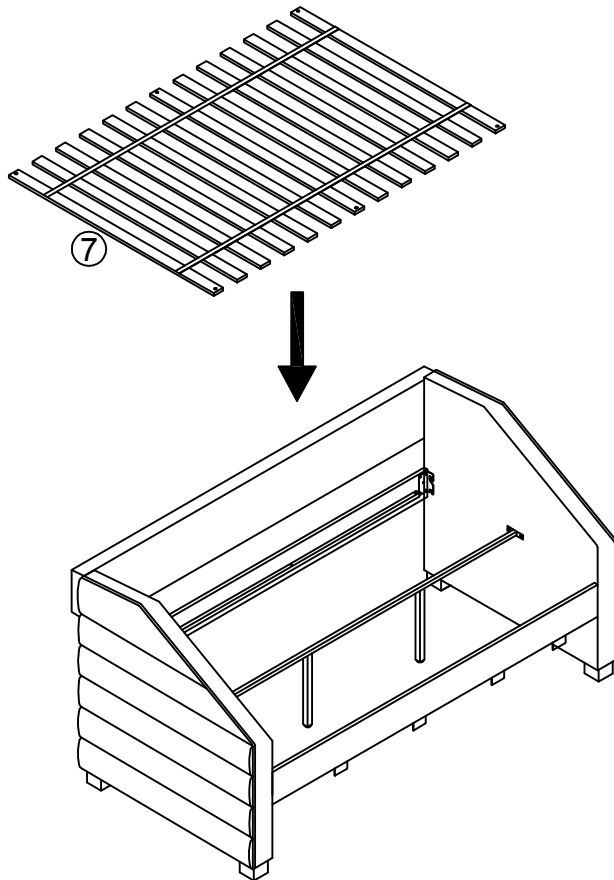
STEP 2



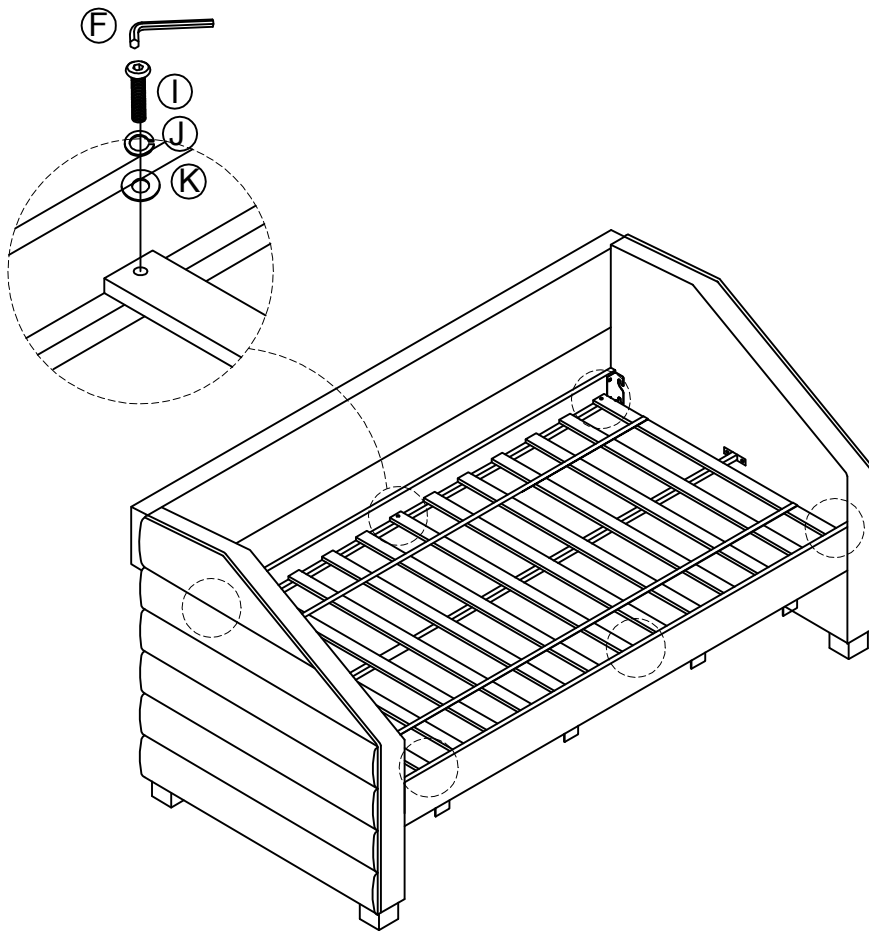
STEP 3



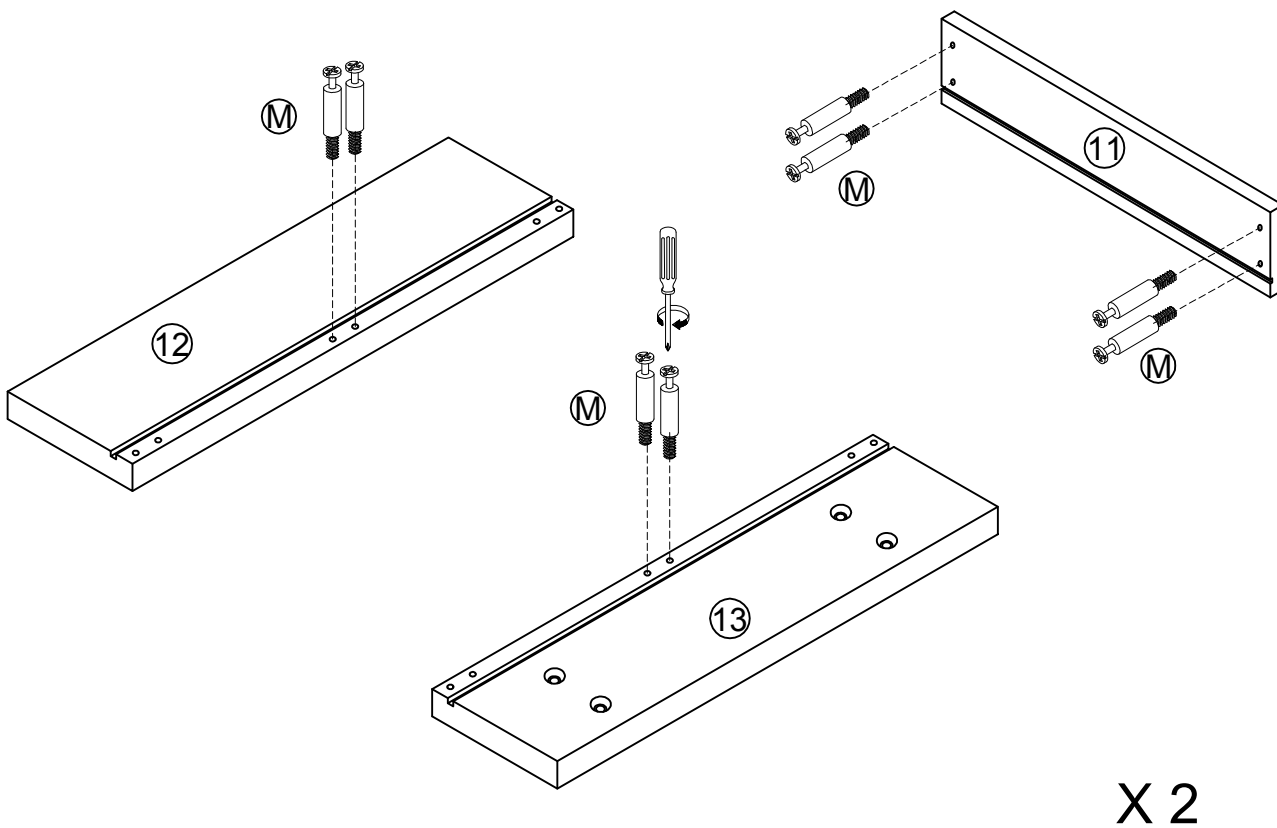
STEP 4



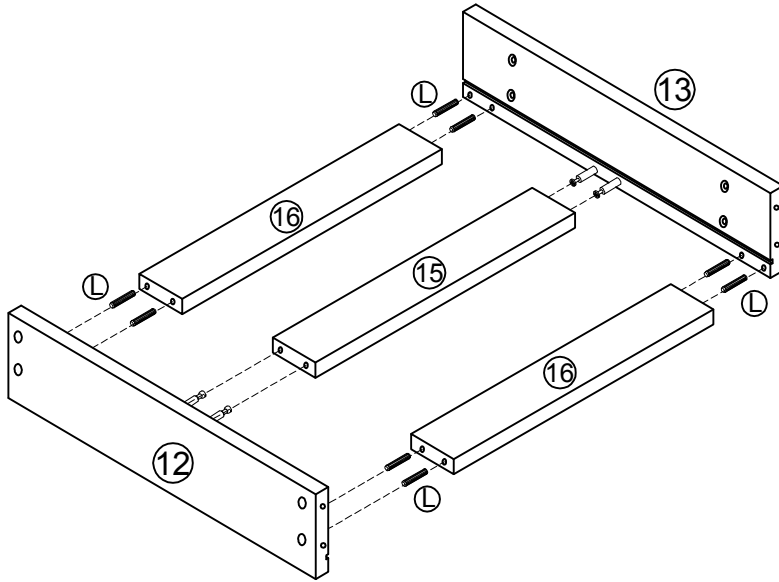
STEP 5



STEP 6

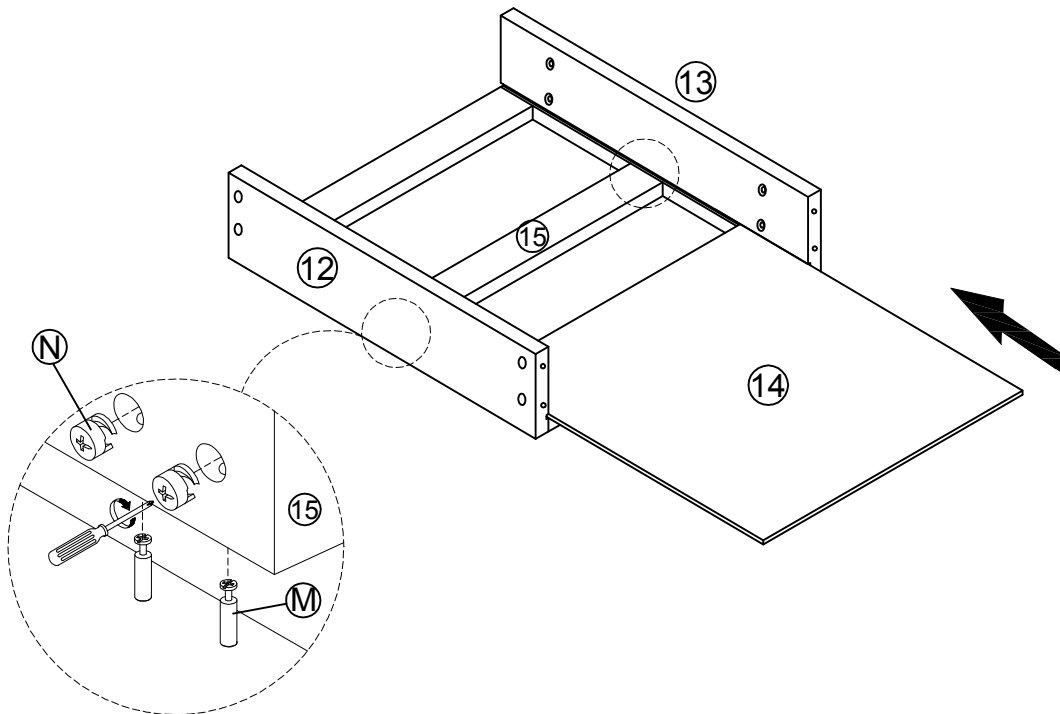


STEP 7



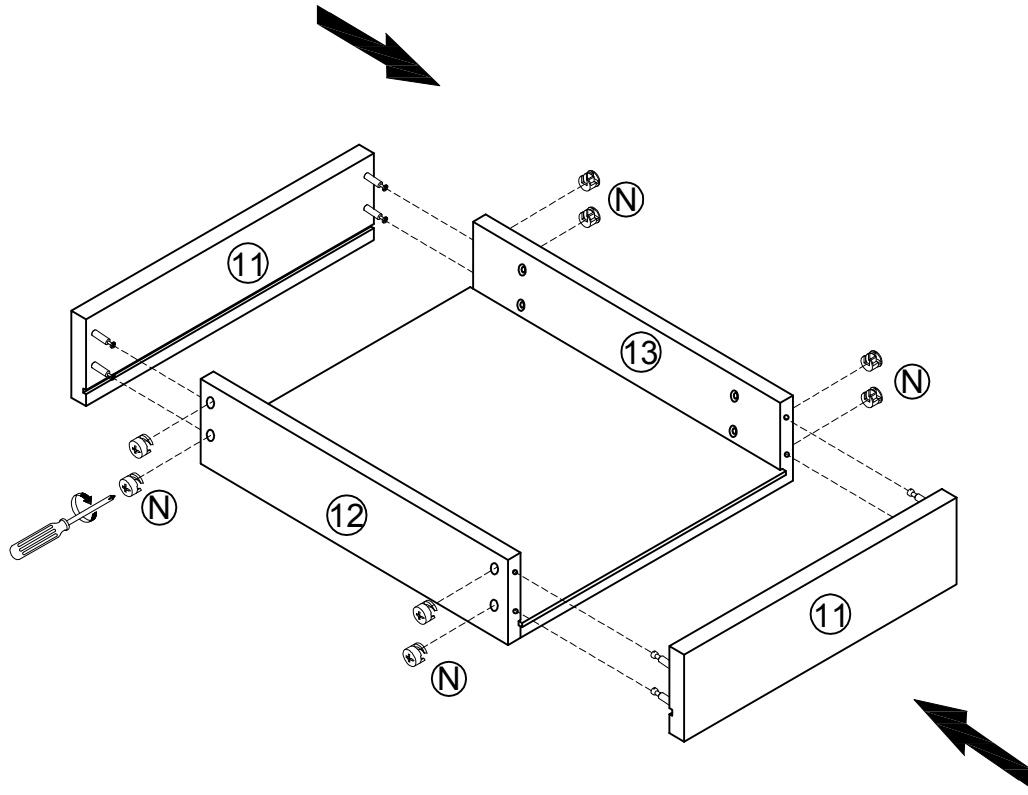
X 2

STEP 8



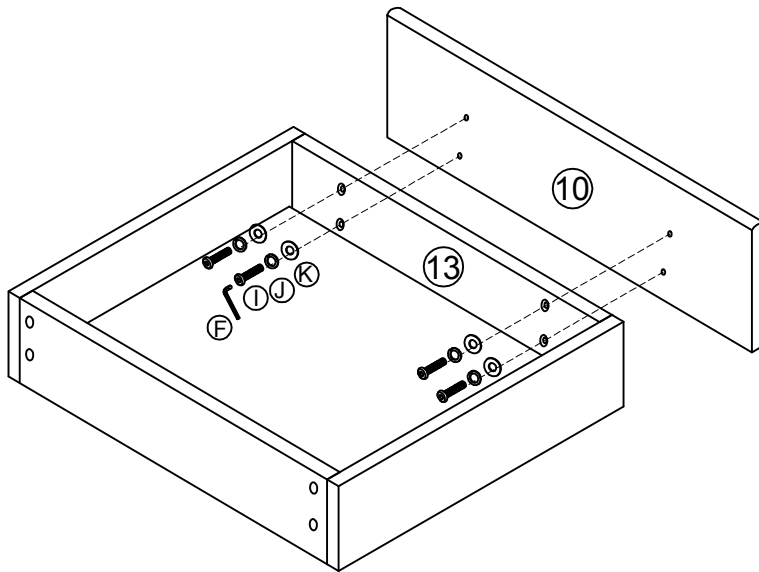
X 2

STEP 9



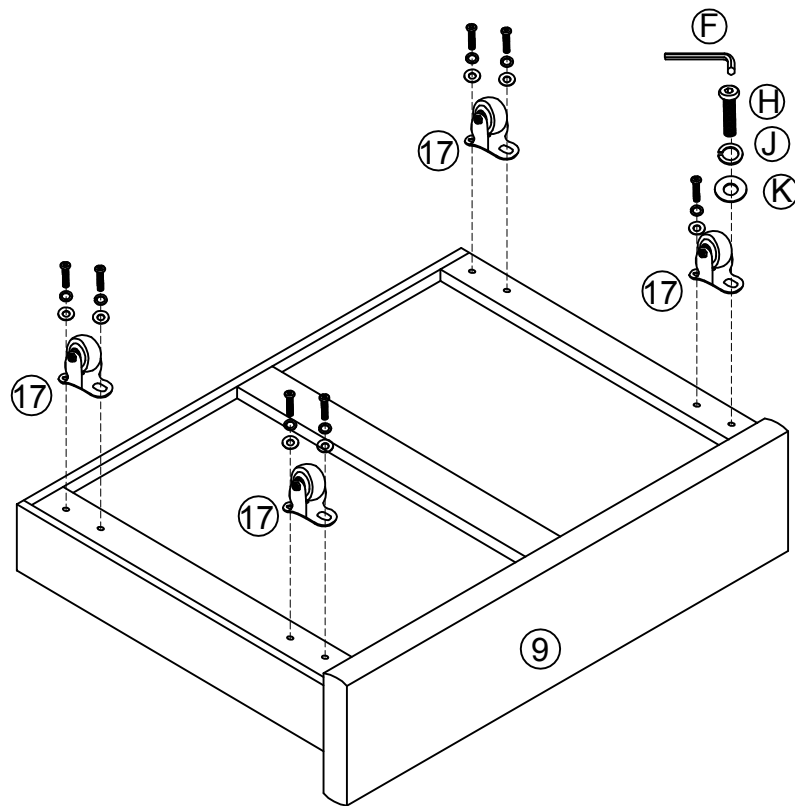
X 2

STEP 10



X 2

STEP 11



X 2

STEP 12

