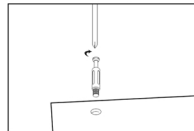
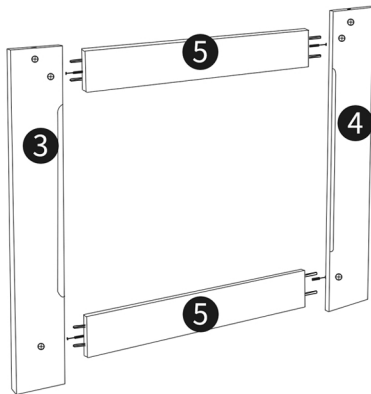
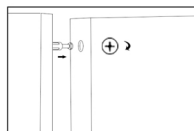


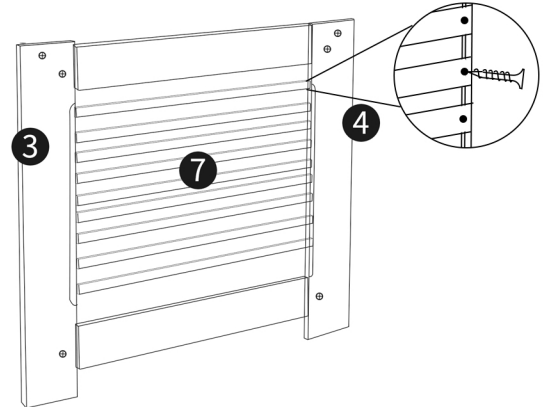
<p>1 1pcs</p>	<p>2 1pcs</p>	<p>3 1pcs</p>	
<p>4 1pcs</p>	<p>5 2pcs</p>	<p>6 1pcs</p>	<p>7 11pcs</p>
<p>A 14pcs</p>	<p>B 14pcs</p>	<p>C 22pcs</p>	<p>D 8 pcs</p>



The installation of Screw A

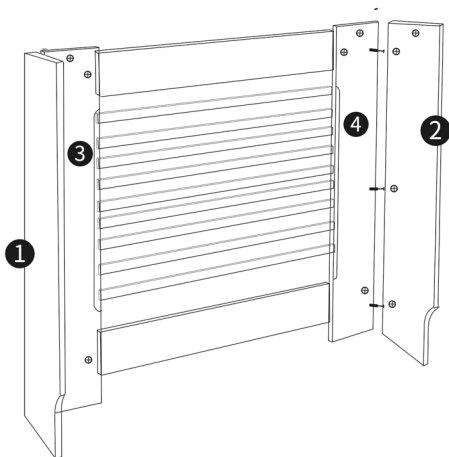


Tightening method of Nut B

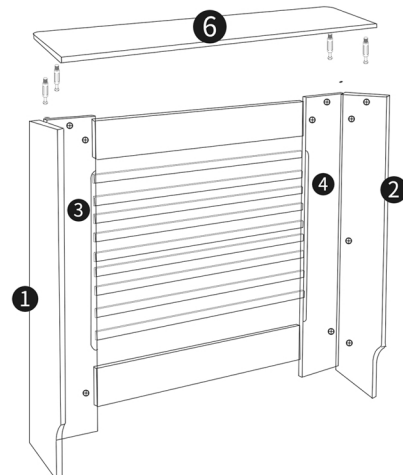


Step 1: First lay a soft cloth or paper on the ground, then place all the accessories on. Take NO 5 plank, fix A in the middle hole at both ends, while fix D to the upper and lower hole. Then take NO 3 and NO 4 plank, install on both sides of NO 5 plank, tighten with B

Step 2: Install NO 7 respectively on the holes between NO 3 and NO 4 plank, fix them with C



Step 3: Insert A respectively to the NO 1 and NO 2 plank, then fix NO 1 plank to the NO 3 plank, fix NO 2 plank to the NO 4 plank, tighten them with B



Step 4: Set the product upright, insert A to the NO 6 plank, align the NO 6 plank to the hole of NO 1, 2, 3, 4 plank then fix and tighten them with B