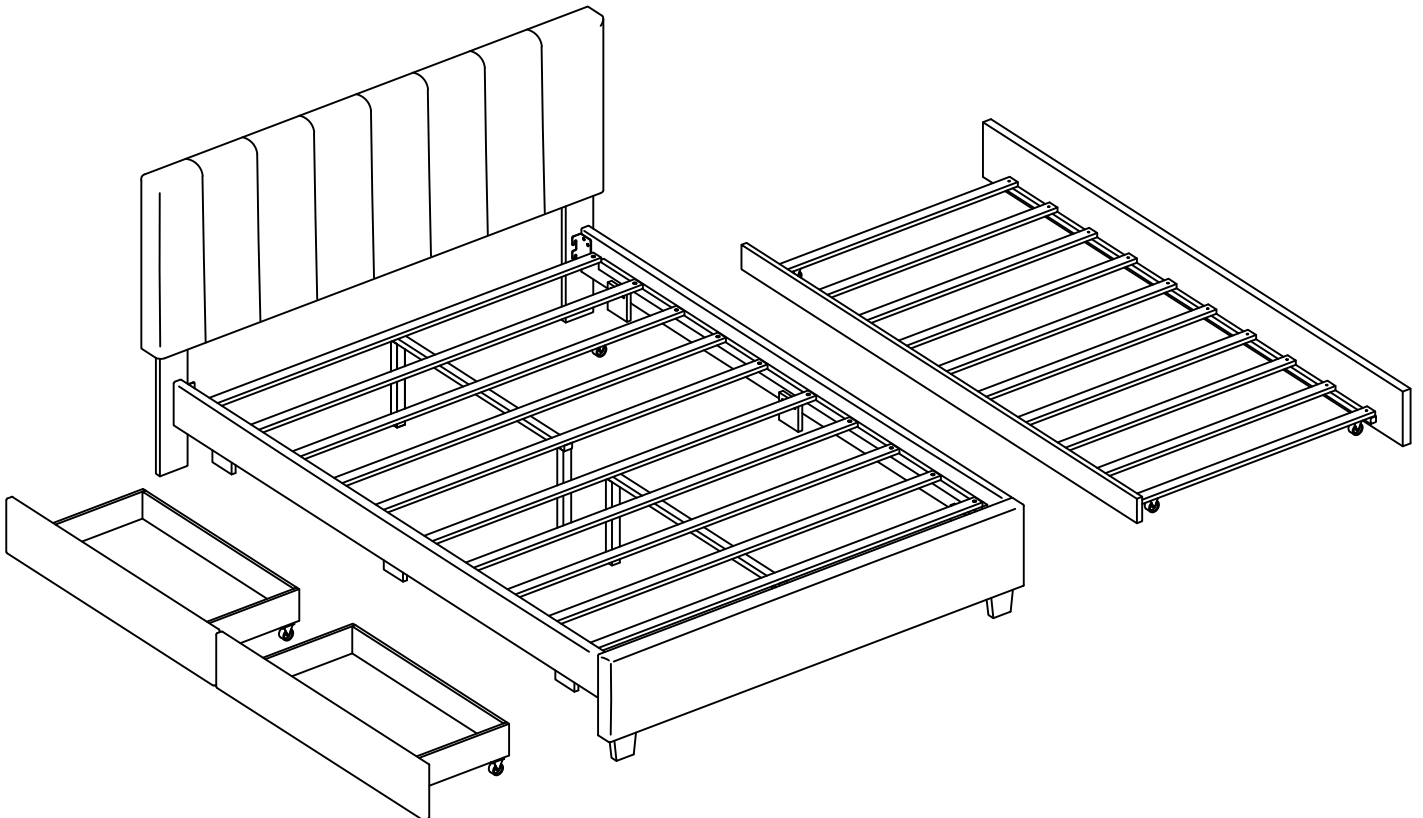
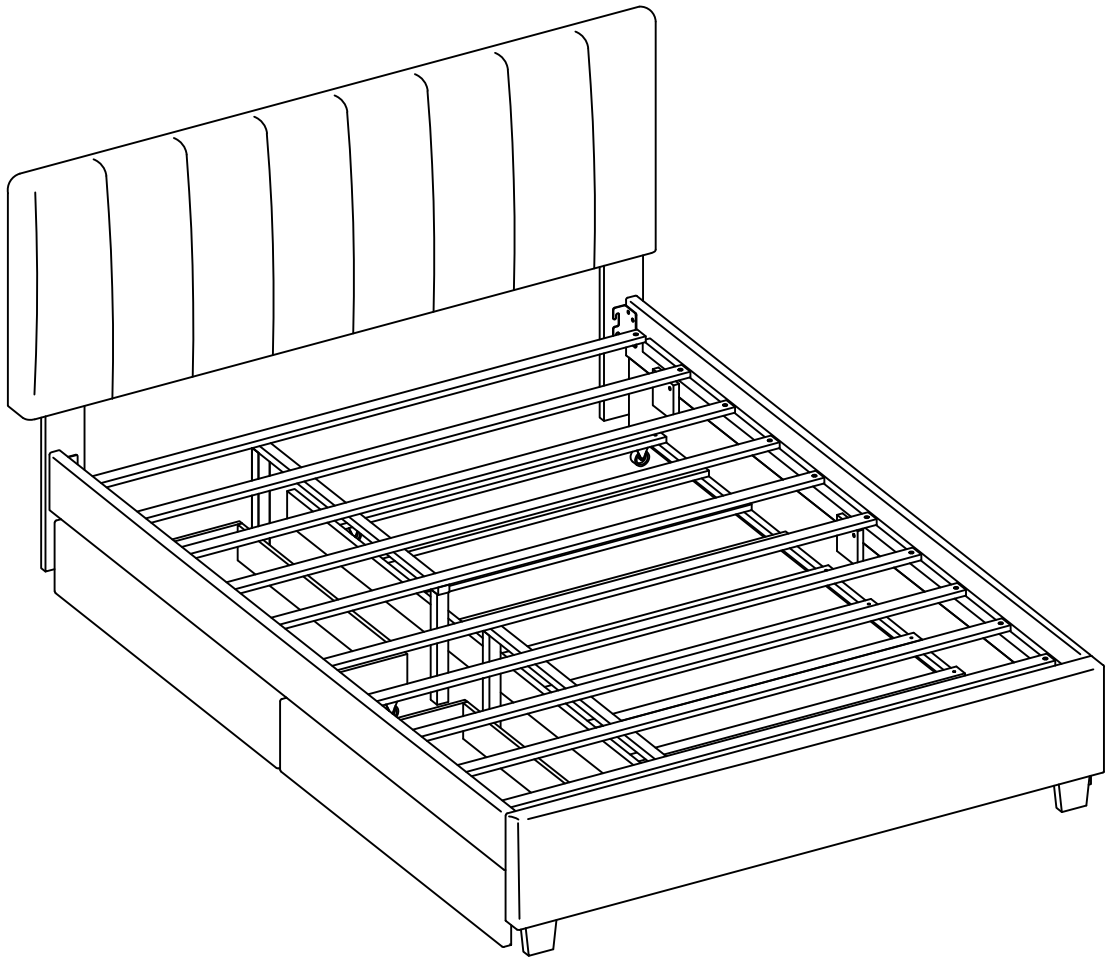
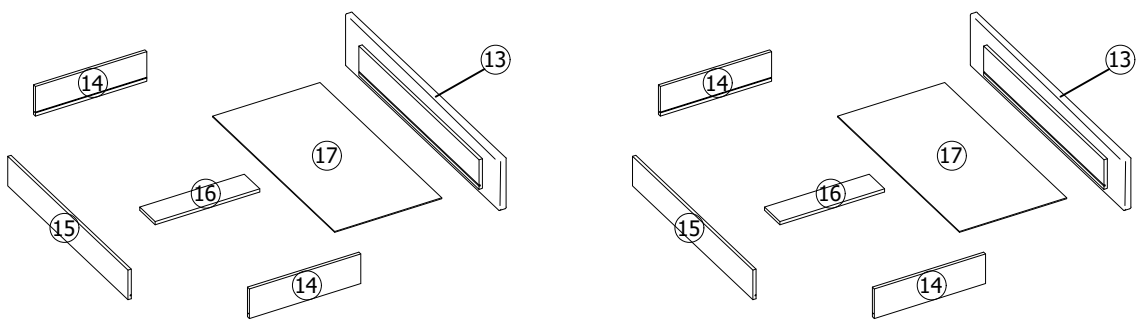
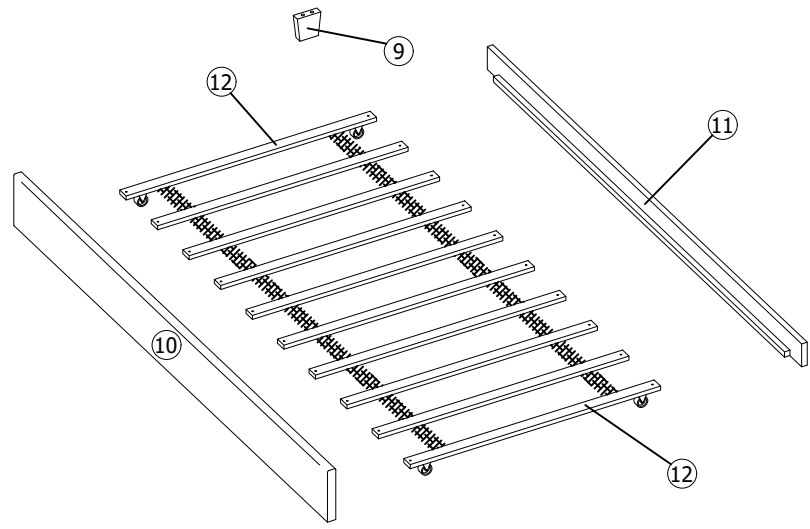
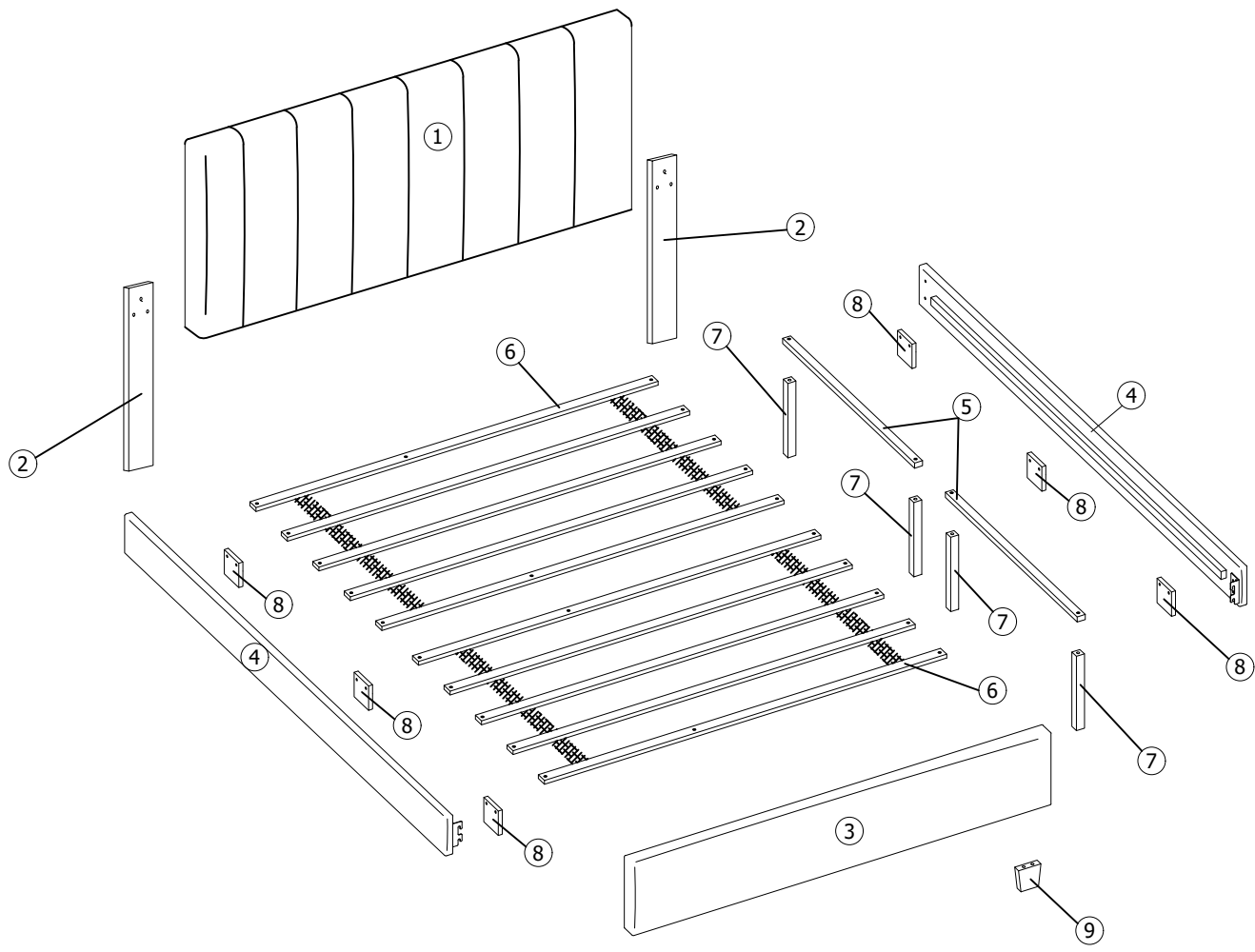


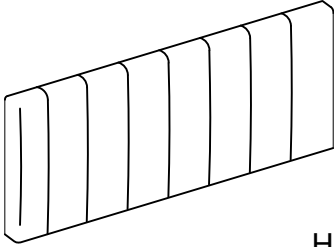
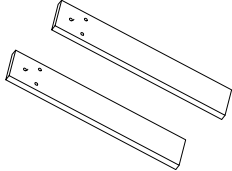
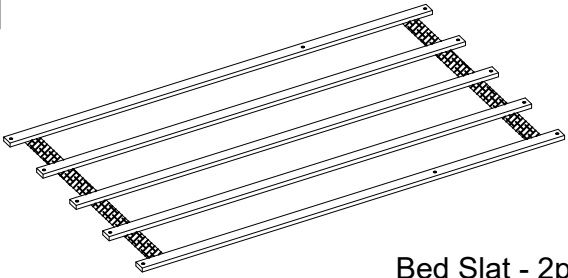
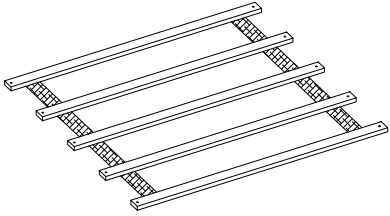
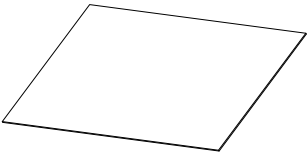
# ASSEMBLY INSTRUCTION

SKU CODE: WF530008/WF530009

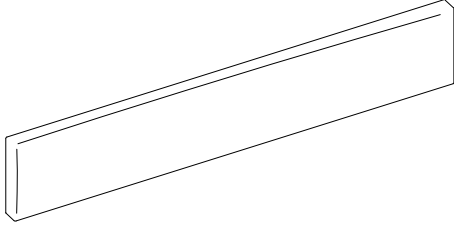
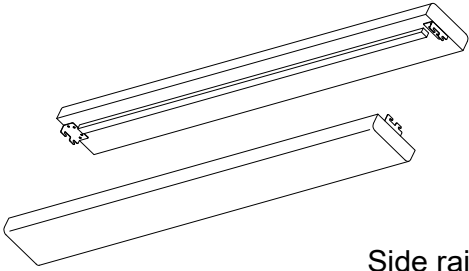
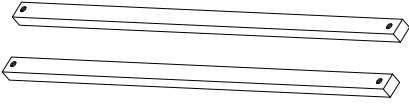
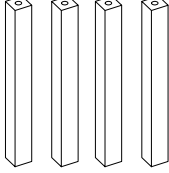
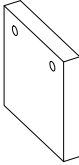
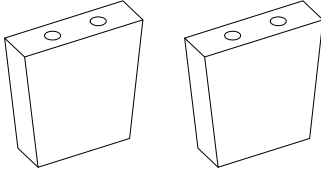
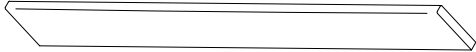


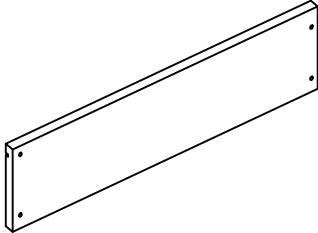
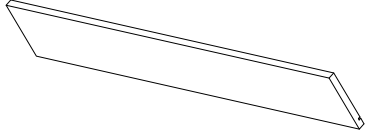





Part List: WF530008

<p><b>1</b></p>  <p>Headboard-1pc</p>	<p><b>2</b></p>  <p>Headboard leg - 2pcs</p>
<p><b>6</b></p>  <p>Bed Slat - 2pcs</p>	<p><b>12</b></p>  <p>Side Bed Slat - 2pcs</p>
<p><b>17</b></p>  <p>Drawer base - 2pcs</p>	

Part List: WF530009

<p><b>3</b></p>  <p>Footboard - 1pc</p>	<p><b>4</b></p>  <p>Side rail -2pcs</p>
<p><b>5</b></p>  <p>Center Slat - 2pcs</p>	<p><b>7</b></p>  <p>Slat Support - 4 pcs</p>
<p><b>8</b></p>  <p>Stopper panel - 6pcs</p>	<p><b>9</b></p>  <p>Foot Leg - 2 pcs</p>
<p><b>10</b></p>  <p>Side bed head - 1 pc</p>	<p><b>11</b></p>  <p>Side bed rail - 1 pc</p>
<p><b>13</b></p>  <p>Drawer head - 2pcs</p>	<p><b>14</b></p>  <p>Drawer side - 4pcs</p>
<p><b>15</b></p>  <p>Drawer back - 2pcs</p>	<p><b>16</b></p>  <p>Drawer support - 2pcs</p>

<b>A</b>  M8 x 40 Hex-head bolt (6pcs)	<b>B</b>  M8 Flat washer (6pcs)
<b>C</b>  M6 x 30 Hex-head bolt (12pcs)	<b>D</b>  M8 x 20 Hex-head bolt (8pcs)
<b>E</b>  M6 x 60 Hex-head bolt (4pcs)	<b>F</b>  M6 x 100 Hex-head bolt (4pcs)
<b>G</b>  M6 x13mm Hex-head bolt (4pcs)	<b>H</b>  M6 x 13mm Flat washer (8pcs)
<b>I</b>  Mini Fix Housing (4pcs)	<b>J</b>  Mini Fix Bolt (4pcs)
<b>K</b>  M3.5 x 16mm Flat washer (40pcs)	<b>L</b>  M4 x 32mm Flat washer (40pcs)
<b>M</b>  M4 x 38mm Flat washer (16pcs)	<b>N</b>  M8 x 30mm Wood Dowel (4pcs)
<b>O</b>  Roller (12pcs)	<b>P</b>  M4 Allen key (1pc)
<b>Q</b>  M5 Allen key (1pc)	<b>R</b>  L Bracket (4pcs)
 ASSEMBLY TOOLS REQUIRED ( NOT INCLUDED )	

Read this instruction carefully. See hardware and furniture part list for guidance. Be sure all parts are complete, before you assemble. Place all wooden furniture parts on a clean and flat soft surface to prevent from being scratched.

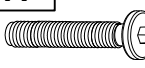

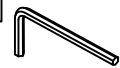
Follow the figure to start assembling.

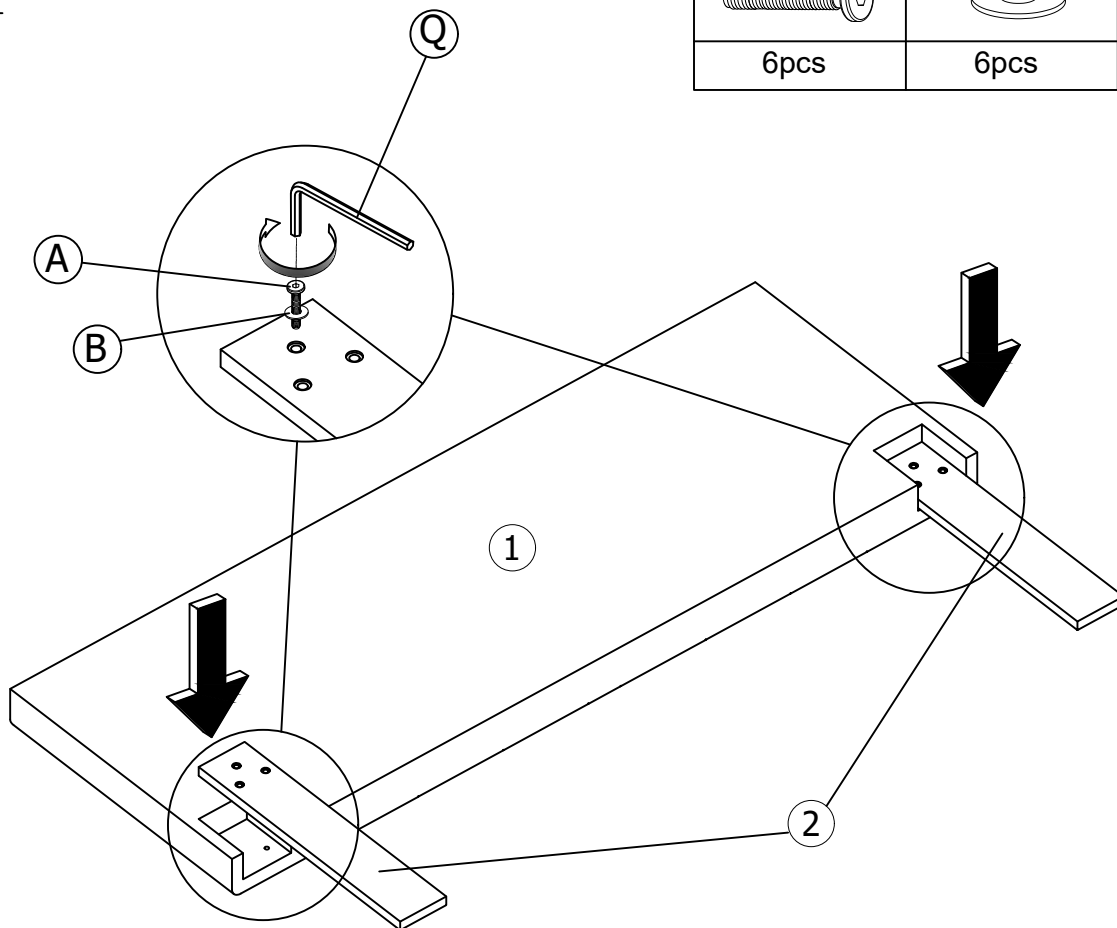
CAUTIONS :

1. Do not FULLY - TIGHTEN the nut or nut bolt until all nut or bolt is ready assembled.
2. Do not OVER - TIGHTEN the nut or bolt to avoid causing damages to the thread.
3. Keep all hardware parts out of reach of children.

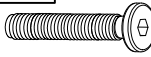
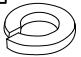

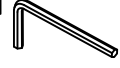
NOTE : THE LIST AND QUANTITY SHOWN ARE FOR 1 UNIT ASSEMBLY.

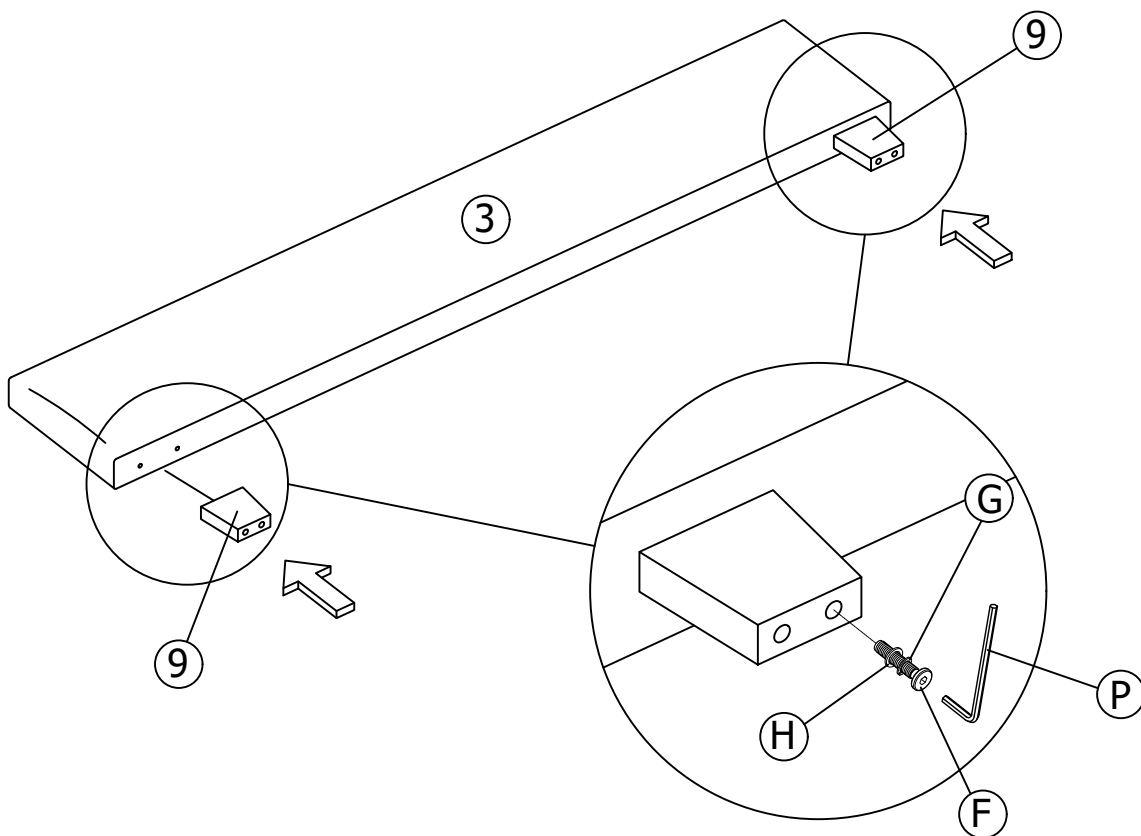
# STEP 1

<b>A</b>		<b>B</b>		<b>Q</b>	
	6pcs		6pcs		1pc

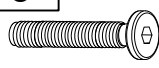
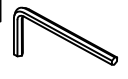


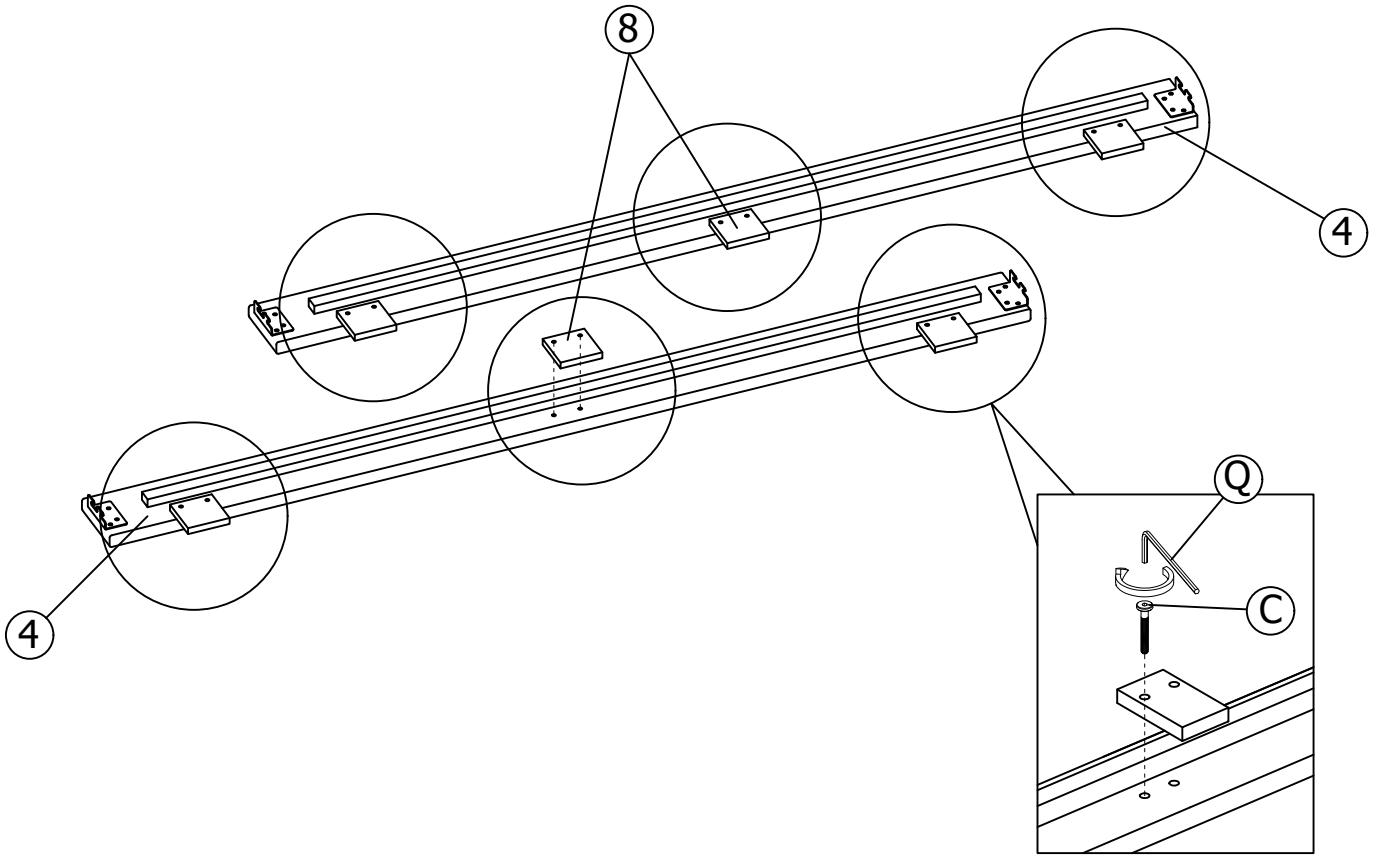
# STEP 2

<b>F</b>		<b>G</b>		<b>H</b>		<b>P</b>	
	4pcs		4pcs		4pcs		1pc

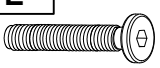

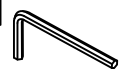


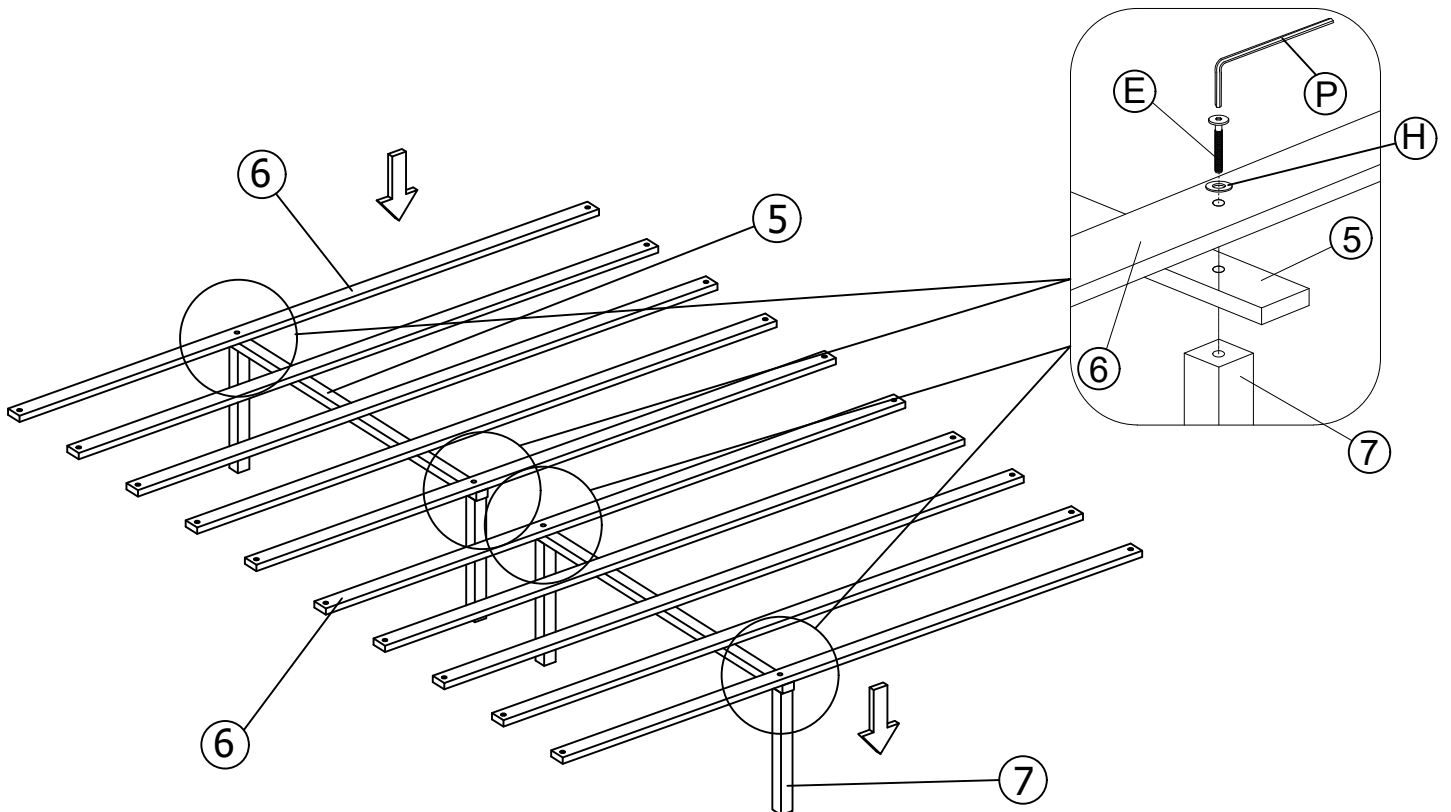
# STEP 3

<b>C</b>		<b>Q</b>	
12pcs		1pc	





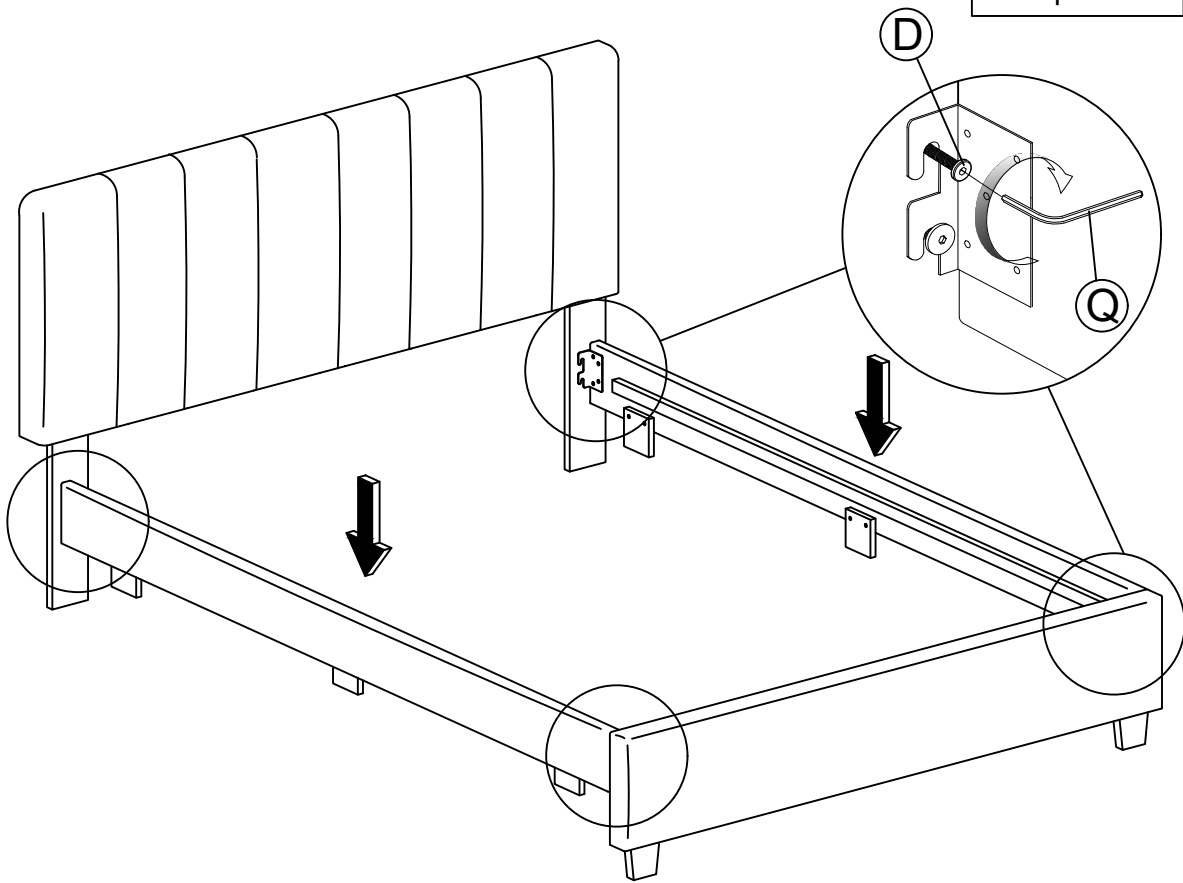
# STEP 4

<b>E</b>		<b>H</b>		<b>P</b>	
4pcs		4pcs		1pc	




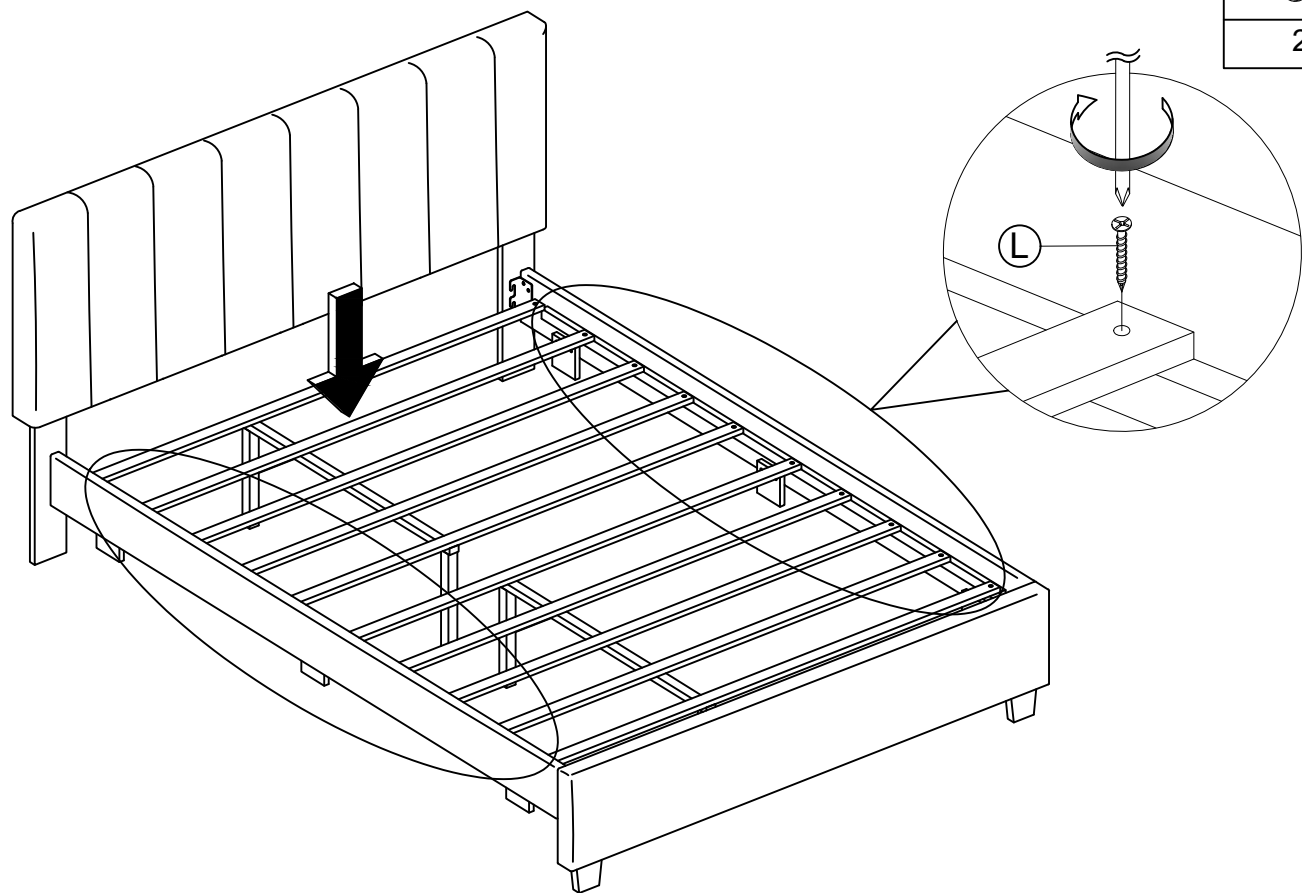
# STEP 5

<b>D</b>		<b>Q</b>	
8pcs		1pc	


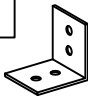



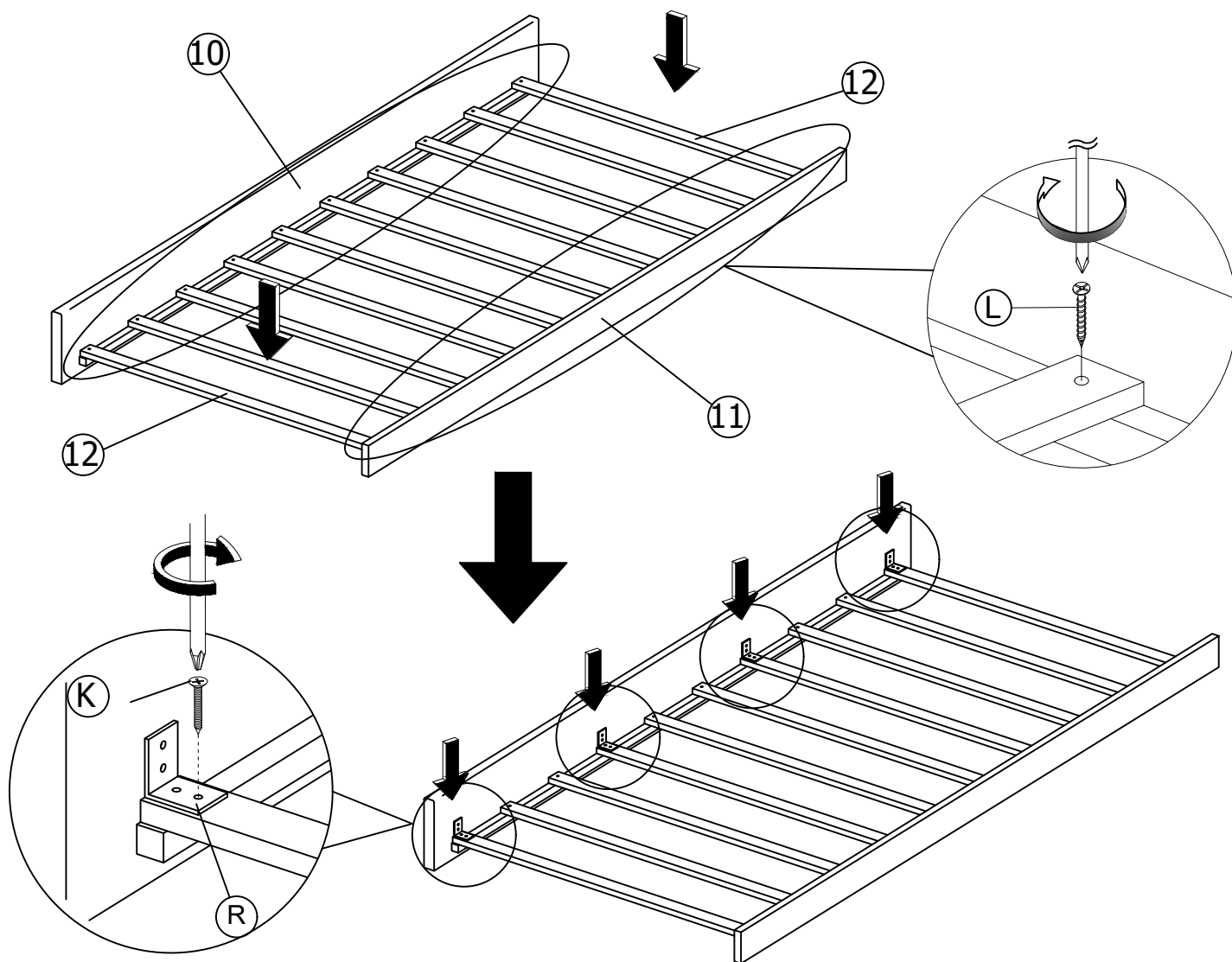
# STEP 6

<b>L</b>	
20pcs	





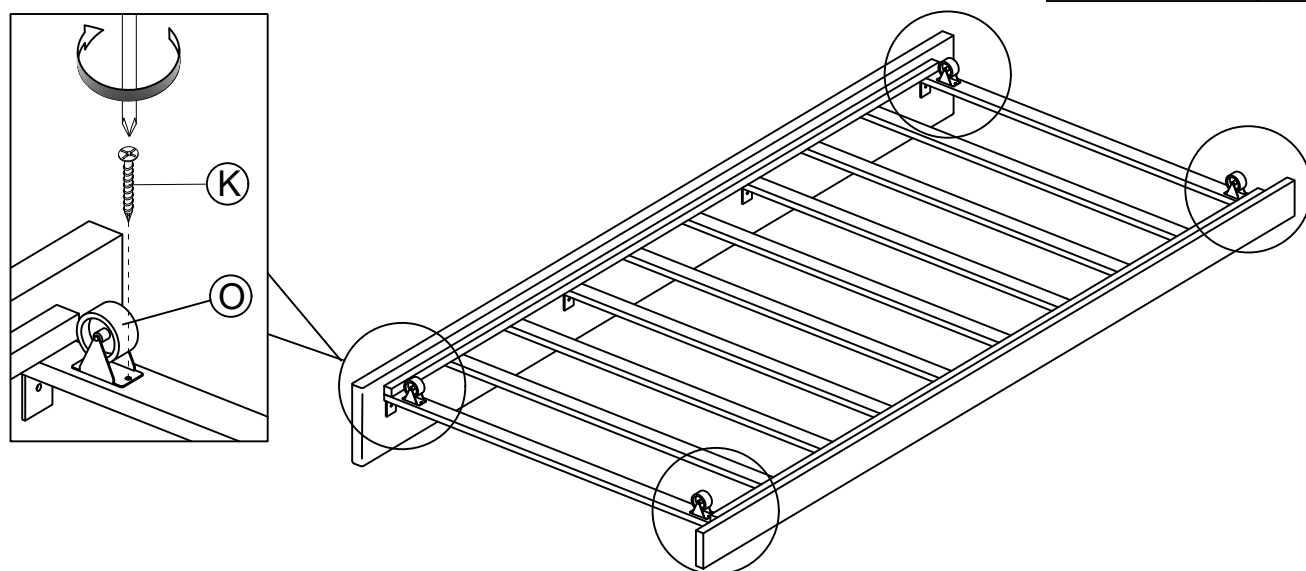
# STEP 7

<b>K</b>		<b>R</b>		<b>L</b>	
16pcs		4pcs		20pcs	

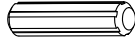
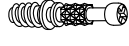


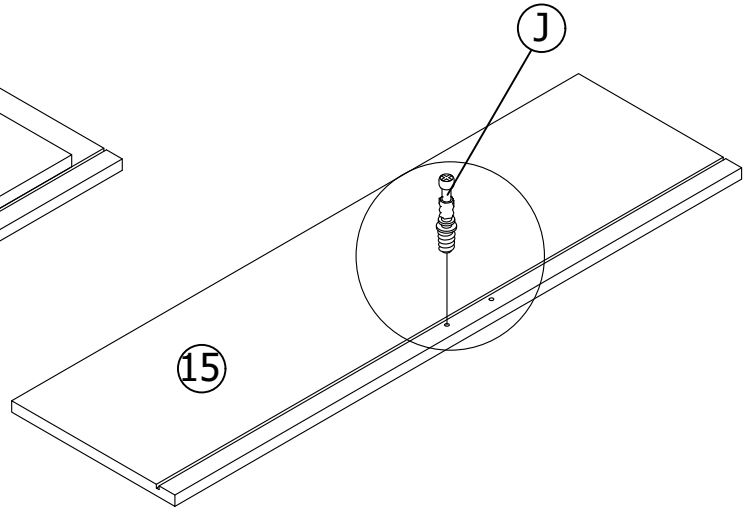
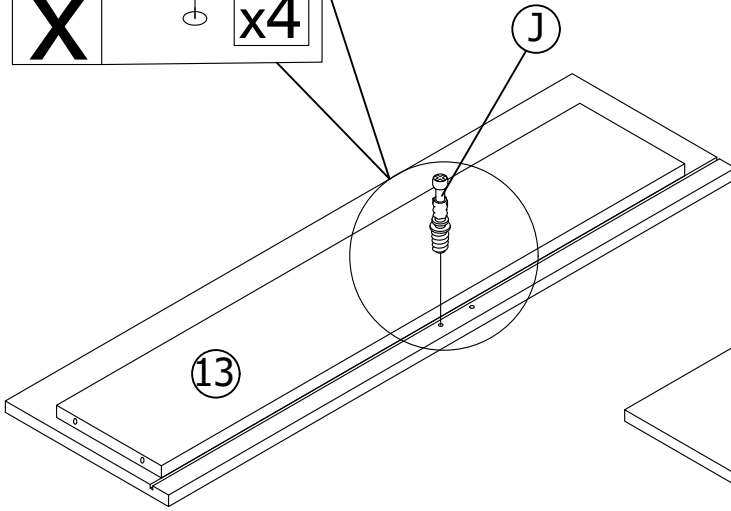
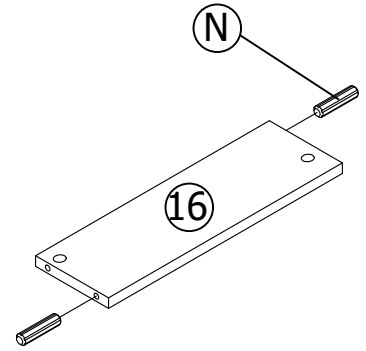
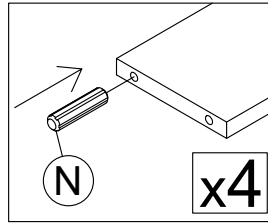
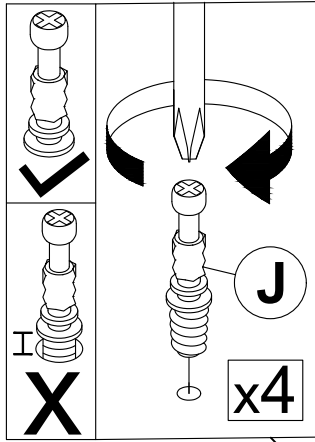
# STEP 8

<b>O</b>		<b>K</b>	
4pcs		8pcs	




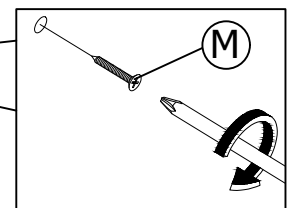
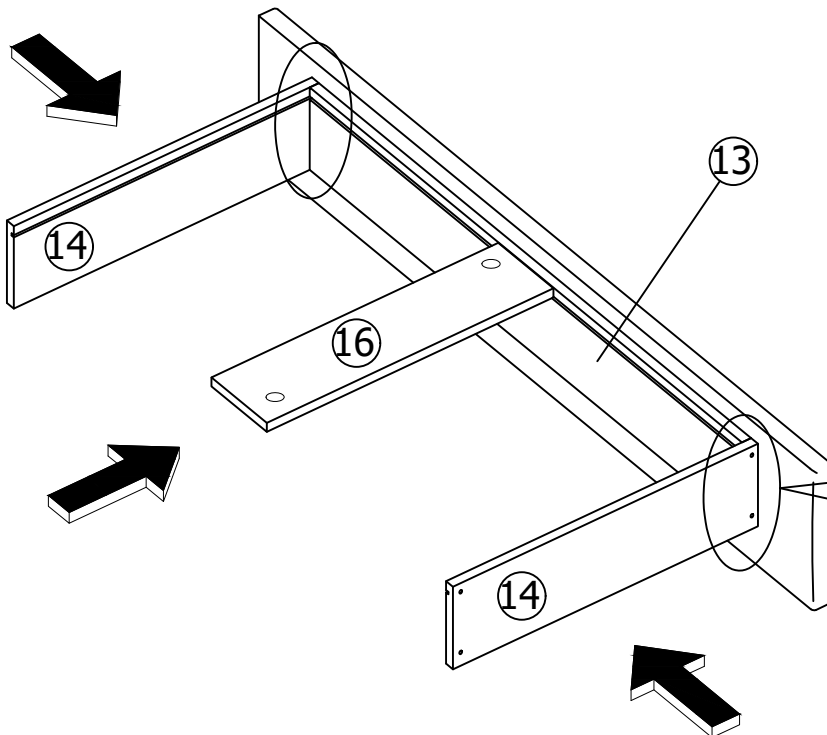
# STEP 9

<b>N</b>		<b>J</b>	
4pcs		4pcs	







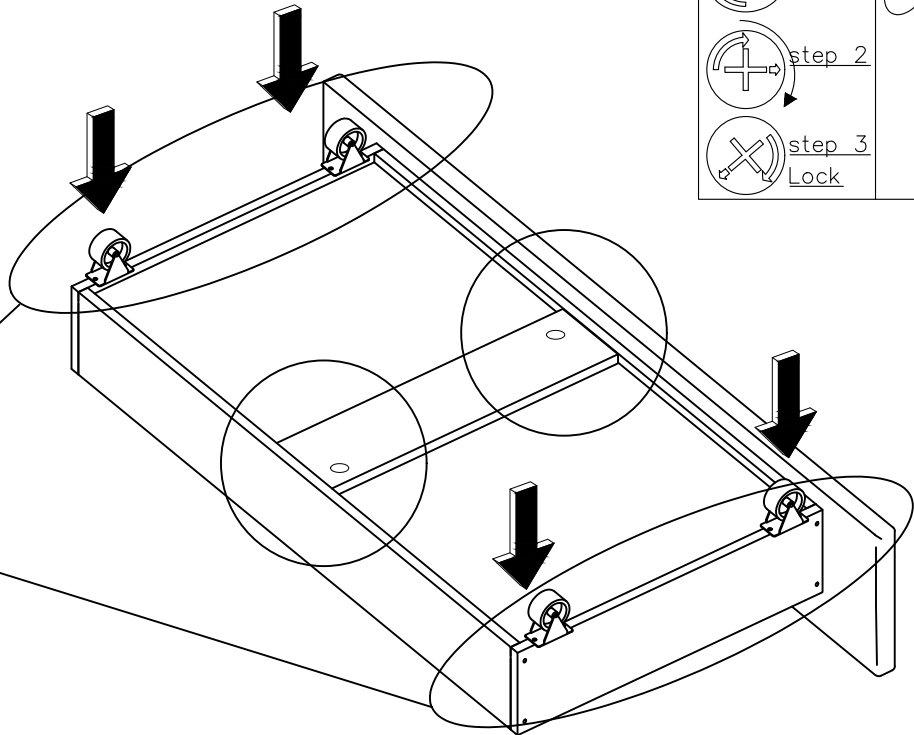
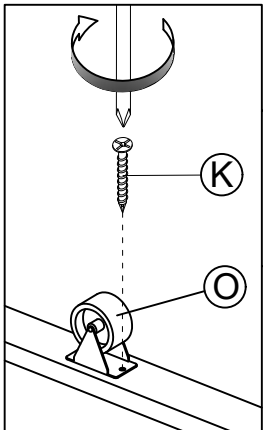
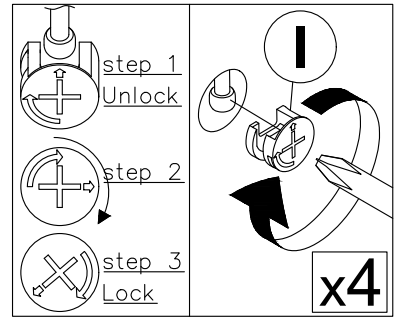
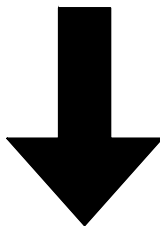
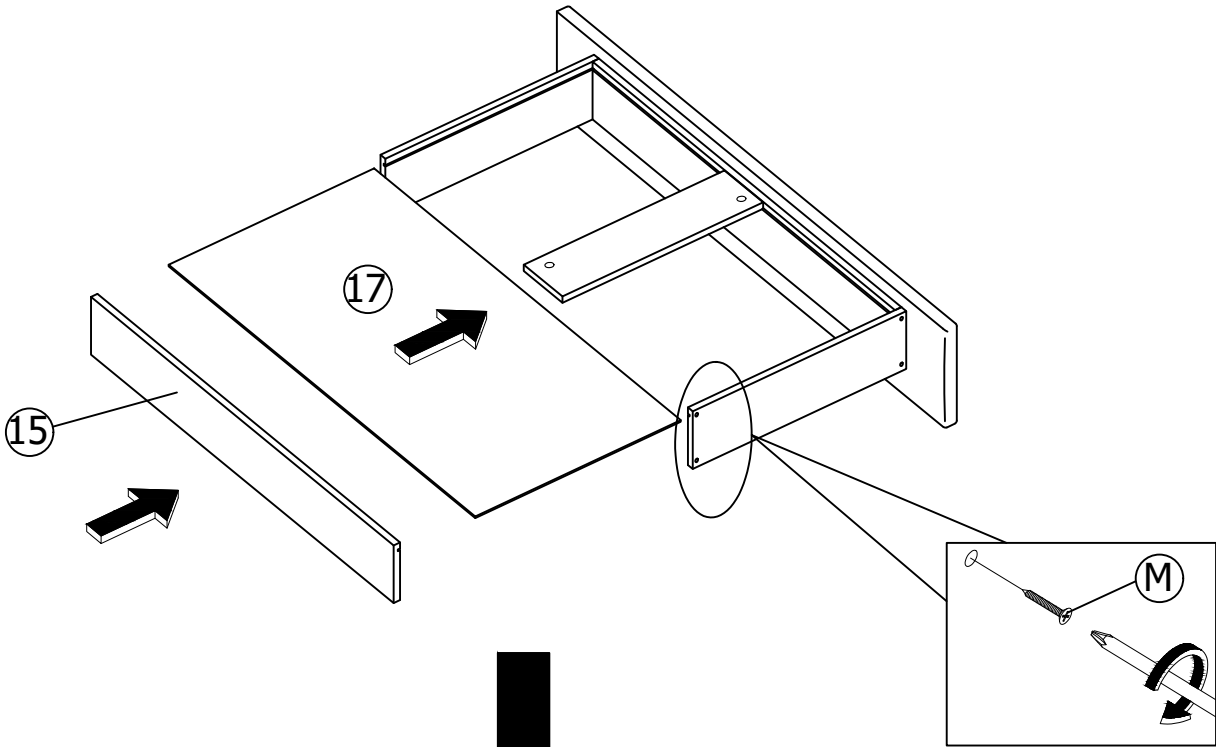
# STEP 10

<b>M</b>	
8pcs	



# STEP 11

<b>I</b>  4pcs	<b>O</b>  8pcs	<b>K</b>  16pcs	<b>M</b>  8pcs
--	---	---	--



# STEP 12

