



INSTALLATION GUIDE

PORCELAIN SINK

TOPMOUNT BATHROOM SINK

IF YOU HAVE PURCHASED A **TOPMOUNT SINK**, PLEASE MAKE SURE TO READ THESE INSTRUCTIONS CAREFULLY

1

Prior to installation:

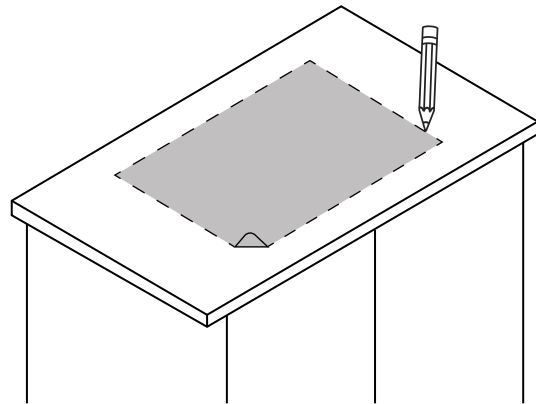
Make sure that you have all necessary parts by checking the parts list. If any part is missing, please contact Stylish® Customer Service at [+1-855-789-5352](tel:+1-855-789-5352) for a replacement.

Inspect the sink prior to installation to make sure that it has not been damaged during shipping.

You may use the cut-out template provided or download DXF file from www.stylishkb.com, the file is available under each sink model.

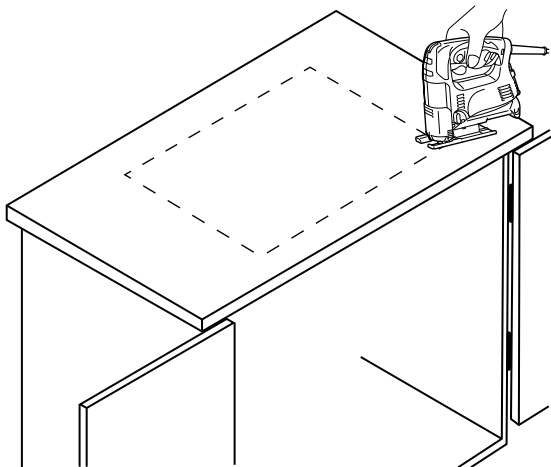
Observe all plumbing and building codes according to your state requirements.

2



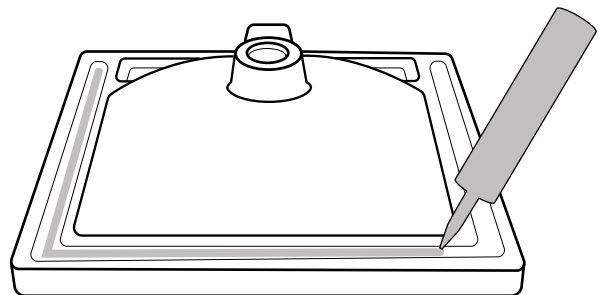
Place cut-out template in desired position on countertop locating center of the bowl over cabinet.

3



Trace the outline of the template and cut countertop according to templated outline using appropriate cutting tools. Template is for guide only. Use physical sink to ensure accurate cut-out opening.

4



Clean sink flange and underside of cut-out area of countertop, making sure that the area is smooth and free of debris. Apply continuous bead of silicone.

WARRANTY

For additional technical assistance or for any questions or concerns about your porcelain sink's warranty, please contact us.

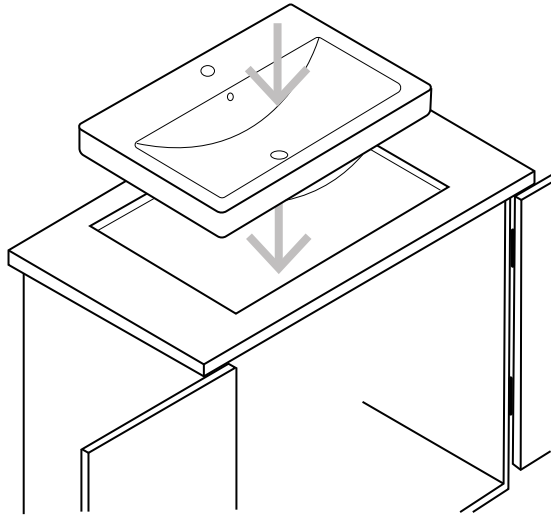
www.stylishkb.com/warranty

www.stylishkb.com

care@stylishkb.com

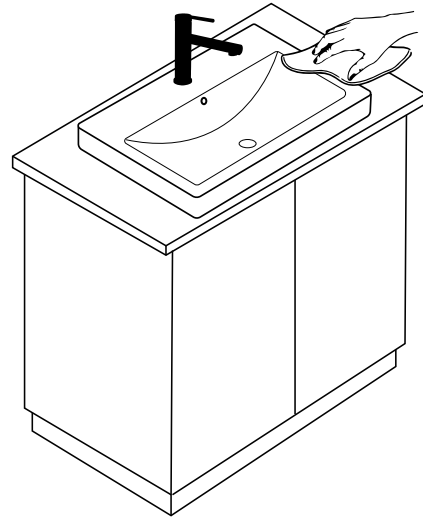
+1-855-789-5352

5



Drop-in on countertop opening.

6



Push down on sink and ensure is stable and not rocking on countertop. Wipe away excess silicone caulk with damp cloth. Connect drain and water supply according to manufacturer's instruction.

CARE AND CLEANING

Clean your sink every day to prevent a buildup of soap scum, grease and dirt. Use a wet sponge with liquid dishwashing. Scrub the sink's surface using a soft non-abrasive cloth or sponge. Wipe the sink dry with a dish towel or other soft cloth to eliminate water stains. For deep clean cover the sink with paper or cloth towels and pour undiluted bleach. Be sure the area is well ventilated and let the bleach-saturated towels sit for 15 to 30 minutes. Rinse thoroughly with water and wipe dry with a dish towel or other soft cloth.