

# 5P-Barn Door Installation Instruction

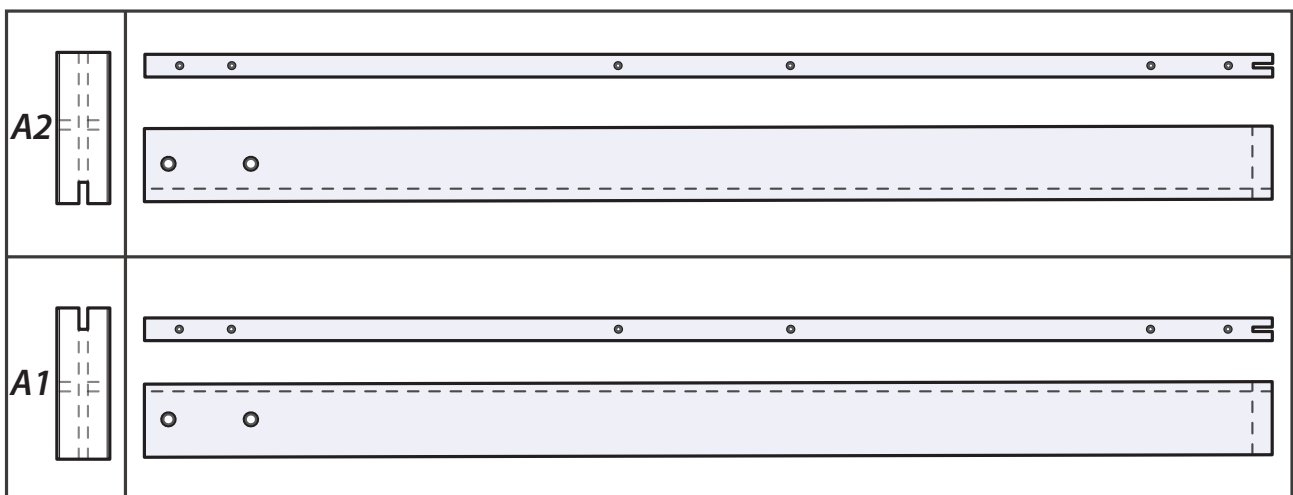
5P-Barn Door Assembly Detail		
A1	Side Stile	1
A2	Side Stile	1
P1	Top Rail	1
P2	Middle Rail	2
P3	Middle Rail	2
P4	Bottom Rail	1
C	MDF Panel	5
D	3.93" Carriage Bolts	12
E	Plastic CAP	12
F	Wood Plug	8
G	Hex Key	1

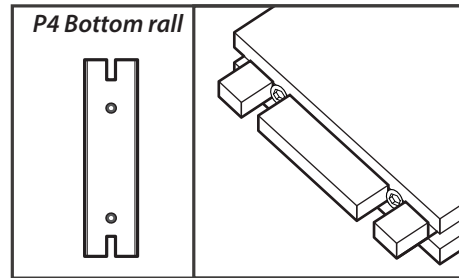
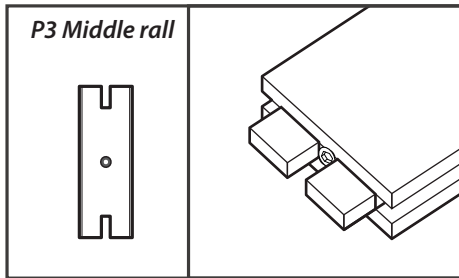
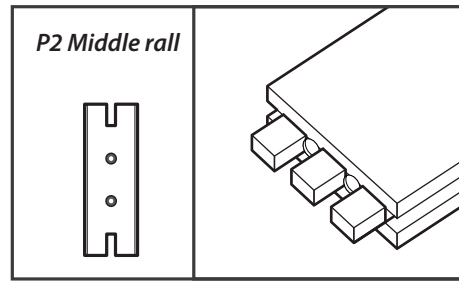
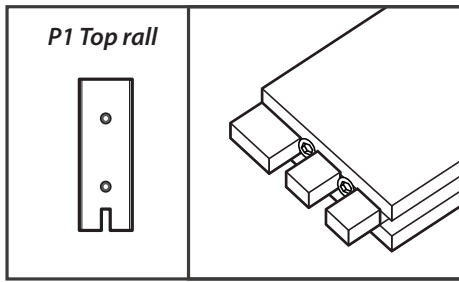
The diagram shows a 5-panel barn door assembly. It consists of two vertical side stiles (A1 and A2) and five horizontal rails (P1, P2, P3, P3, P4) connected by five MDF panels (C). The assembly is shown with dashed lines indicating the placement of carriage bolts (D), plastic caps (E), wood plugs (F), and a hex key (G). The parts list on the left provides the quantities for each component.

**TIPS** • Contact and Ask us anything! Email us at: [help@bestbarndoor.com](mailto:help@bestbarndoor.com)  
 • We offer several sizes of boards, Let's look at them from different perspectives

## Details of accessories

Stile Side Views

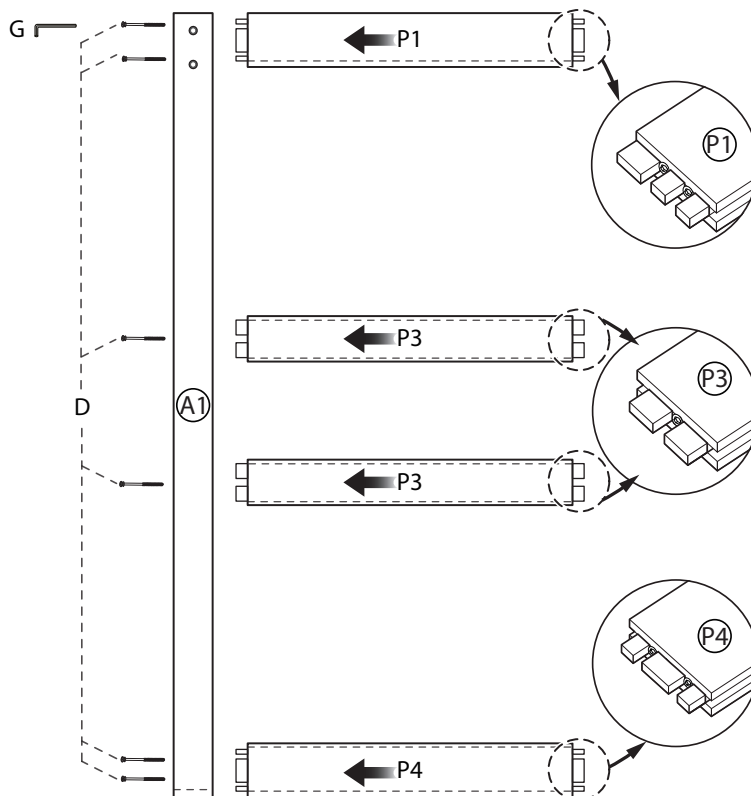




## Instructions

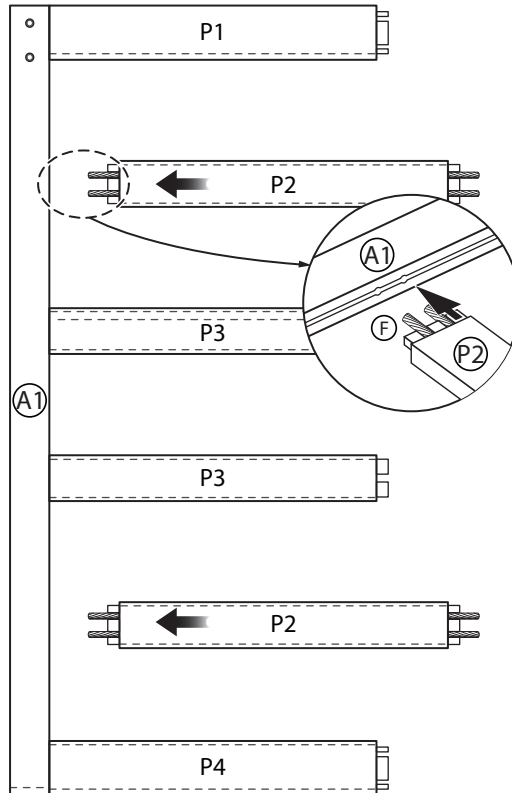
### Step-1

Place the Left Side Stile (A1) on a smooth and clean surface with the groove facing to the right. Get Top Rail (P1), Middle Rail (P3), and Bottom Rail (P4), insert their tongues into the grooves of (A1), and align the pre-drilled holes of (A1) and pre-installed anchors of (P1/P3/P4). Get 3.93" Carriage Bolts (D), insert into the outside holes of (A1), use Hey Key (G) to fasten bolts (D) to the pre-installed anchors in (P1/P3/P4).



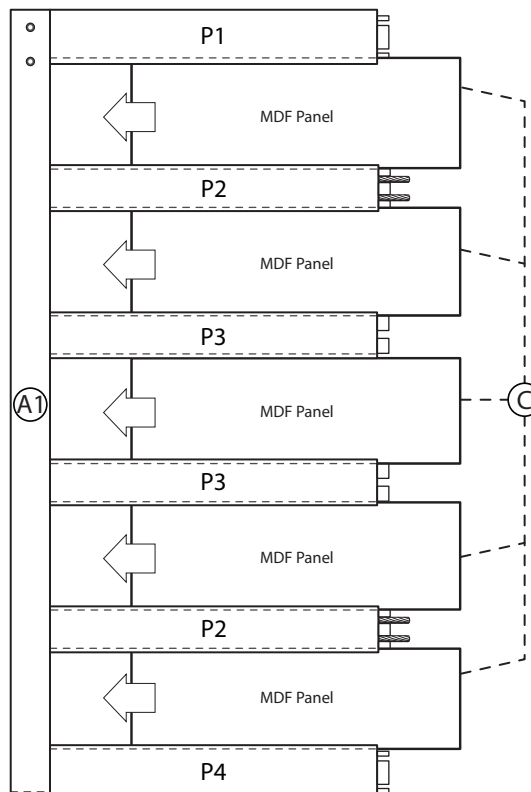
## Step-2

Get Middle Rail (P2), insert Wood Plug (F) into the 4 pre-drilled holes on each P2, and then insert the left end into the inside pre-drilled hole on (A1).  
The pre-drilled holes' location is as indicated in the instruction.



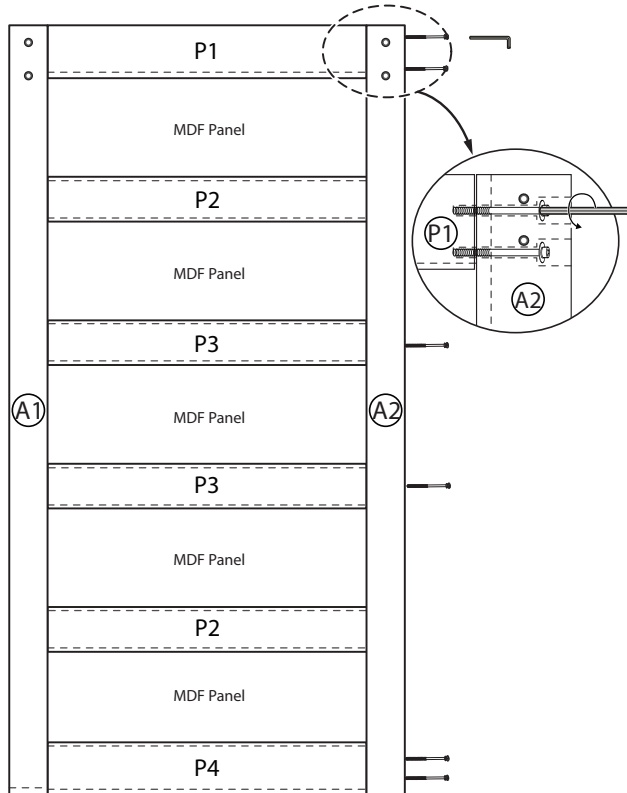
## Step-3

Get MDF Panel (C), slide it along the grooves between P, and make sure to insert it into the groove of (A1).  
Please wear gloves to prevent cuts on your hands.



## Step-4

Get Right Side Stile (A2), make the groove side cover the rail tongues and the edge of the slab then get 3.93" Carriage Bolts (D), insert to the holes on the outside of A2, and use Hey Key (G) to fasten bolts (D) to the pre-installed anchors in (P1/P3/P4).



## Step-5

Get Plastic CAP (E), insert it into all the holes on the outside of Side Stile A1/A2, then the installation of the door is over.

