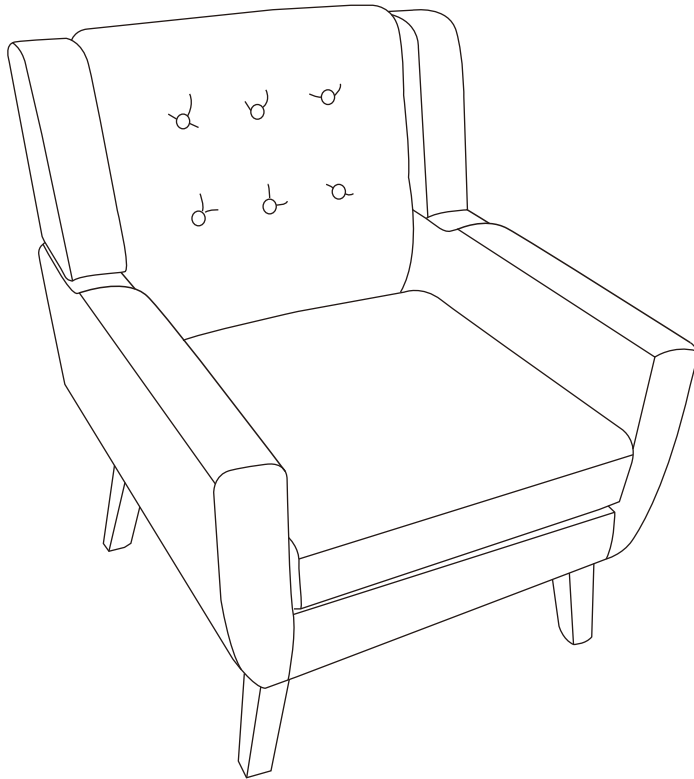
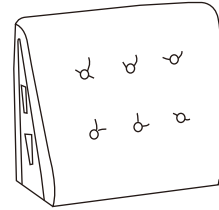


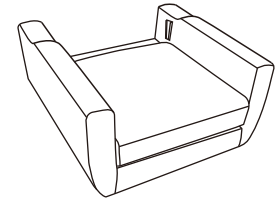
# PARTS and HARDWARES



A\*1



B\*1



C\*1



D\*1



E\*2 (WITH ADJUSTABLE LEVELER)

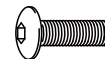


F\*2



①\*12

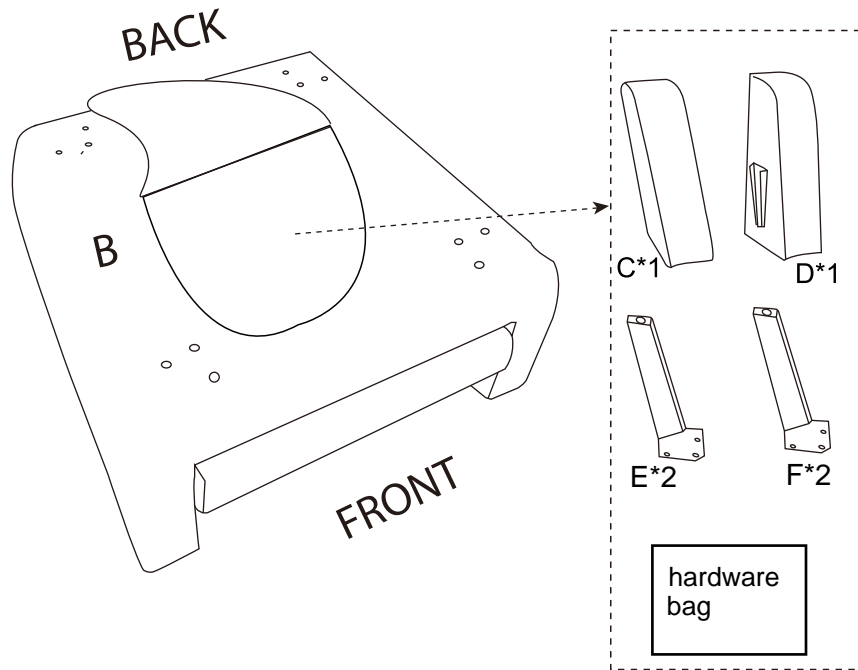
M6\*20mm



②\*1

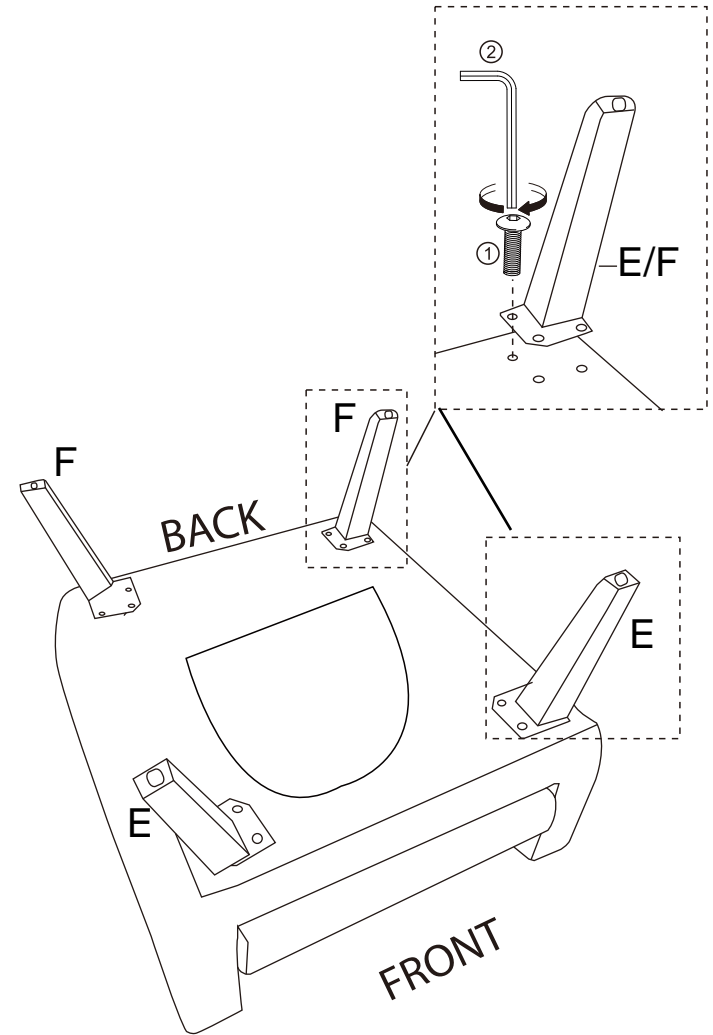
M6



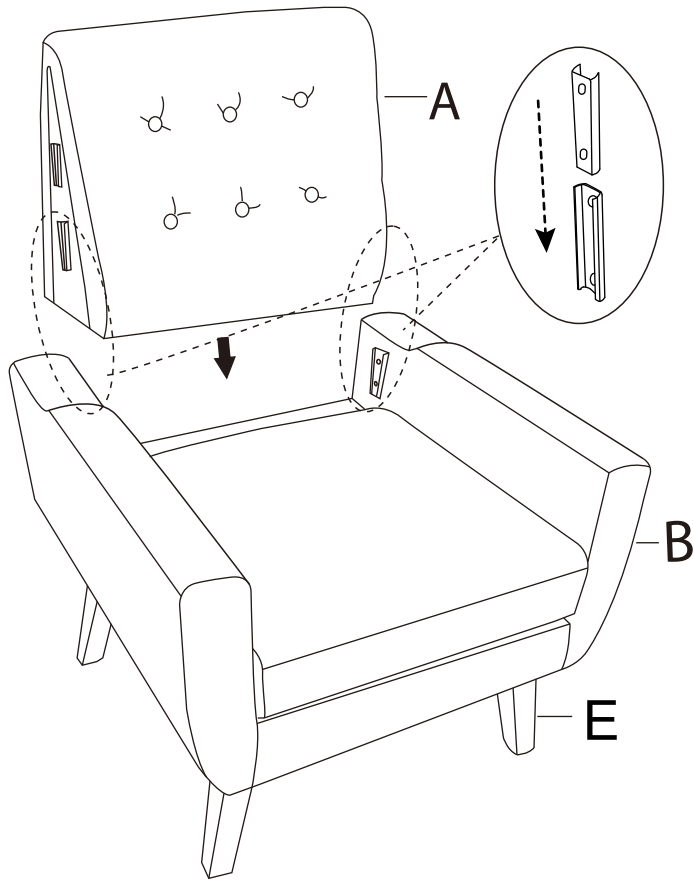


Be sure to check all packing materia fit the packing list. Carefully for small parts, which may have come loose inside the carton during shipment.

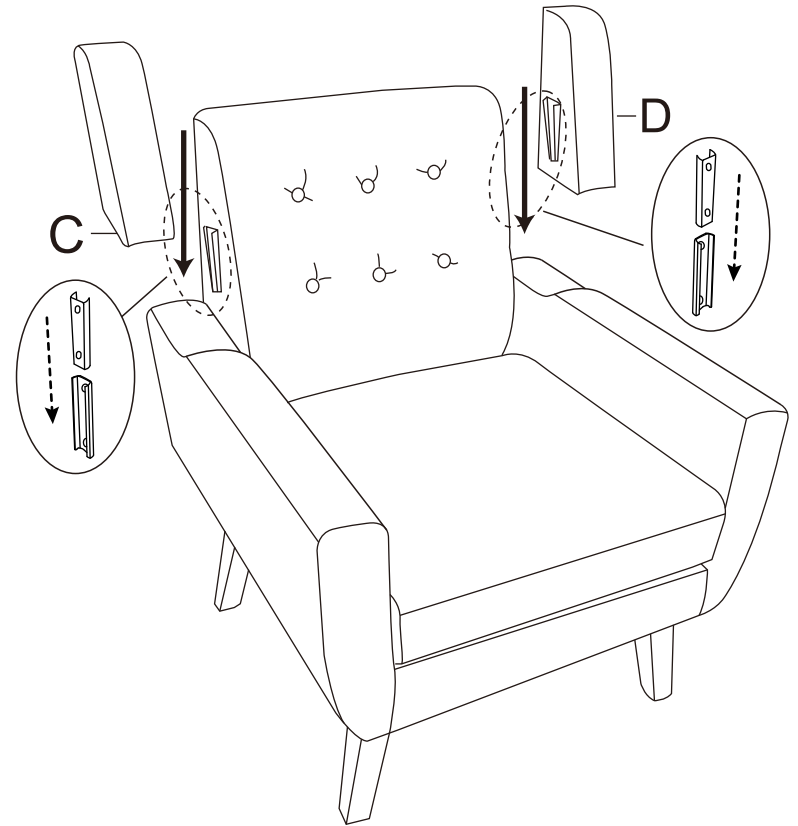
**STEP 1:** Turn the seat frame B upside down on clean padded surface, carefully take out all parts and hardwares from the bottom space of seat.



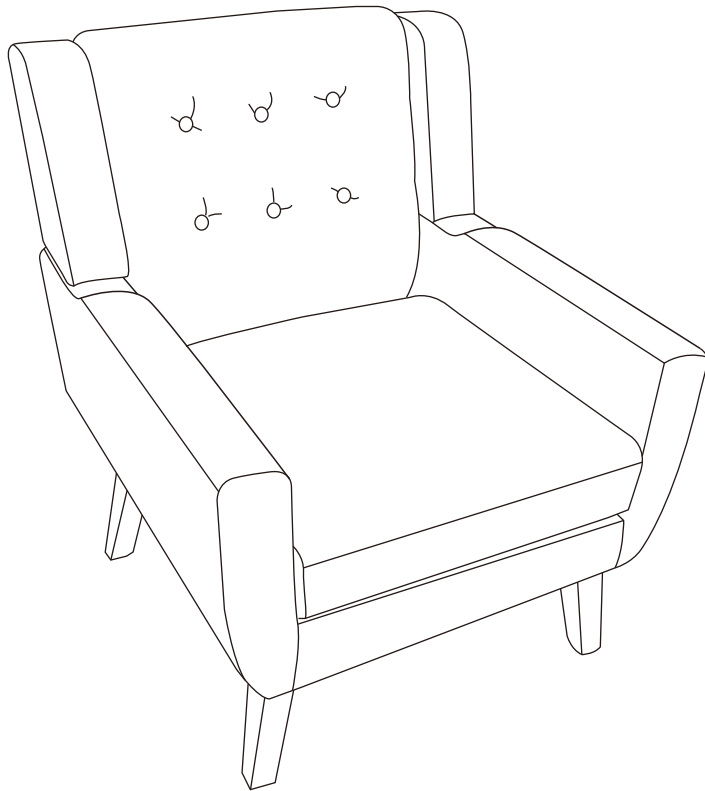
**STEP 2:** Put all bolts #1 in the holes on legs E and F, use allen key #2 to tighten them one by one.



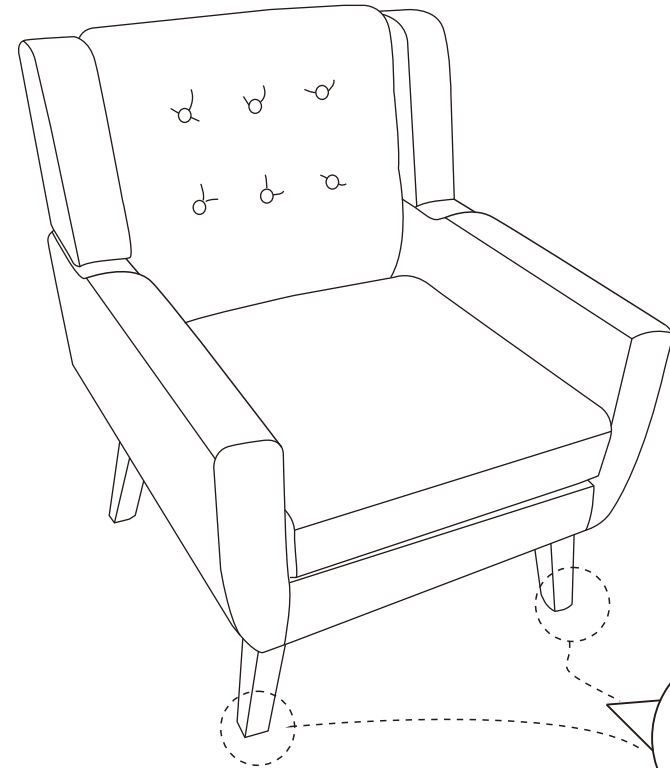
**STEP 3:** Turn the chair base assembly upright, carefully align male and female metal brackets on both sides then push the backrest A all the way down to secure.



**STEP 4:** Carefully align male and female metal brackets on both sides then push backrest ears C and D all the way down to secure.



**STEP 5:** Assembly completed.



**STEP 6:** After installation, adjust the adjustable leveler of front legs to keep the item balanced.

**!**  
**Attention:**  
After installation, adjust the adjustable leveler to keep the item balanced.