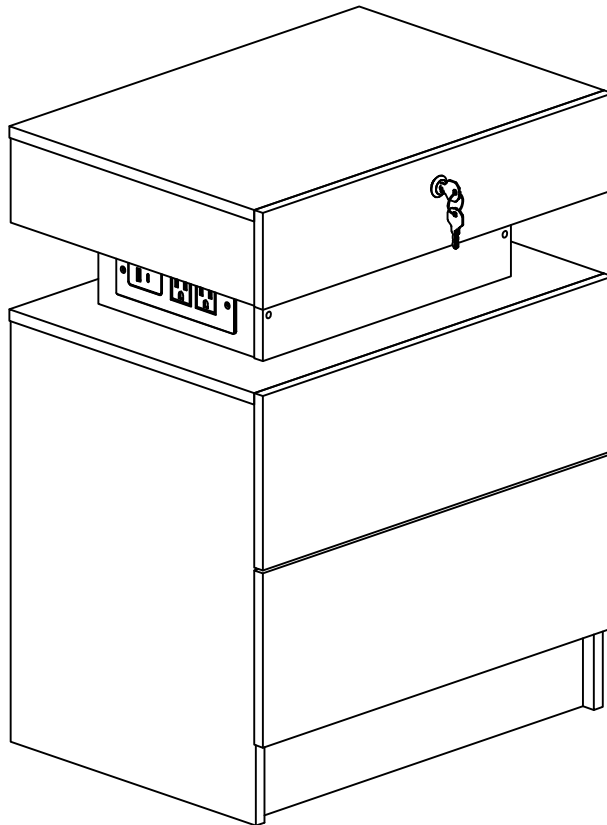



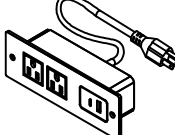
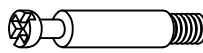
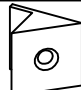




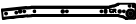




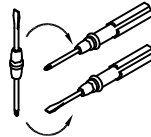

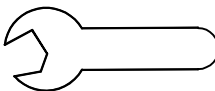
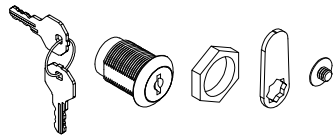
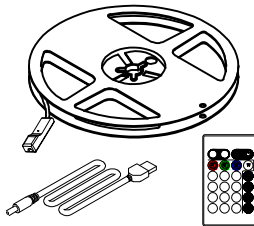
# LIKIMIO

## Installation Instruction

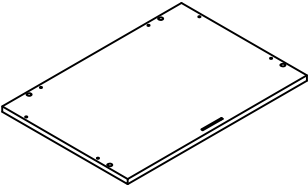
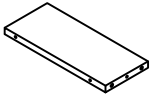
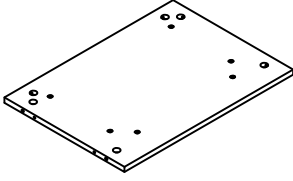
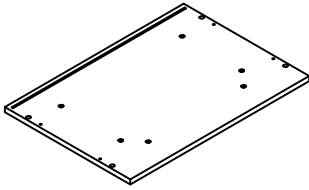
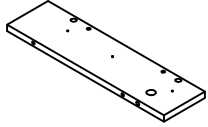
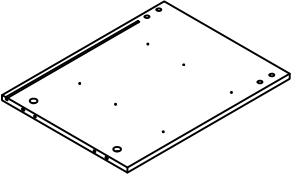
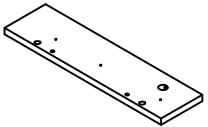
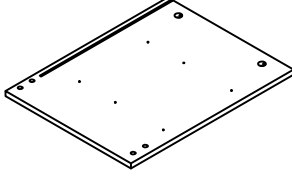
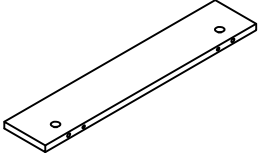
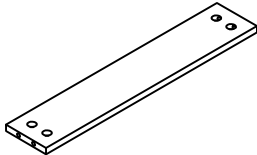
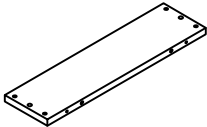
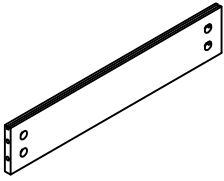
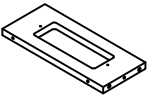
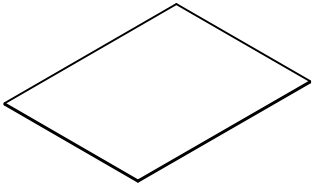
Please don't tighten the screws completely and go back later for a final tightening of all the screws after pieces are aligned with each other.



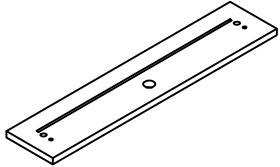
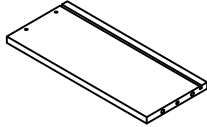
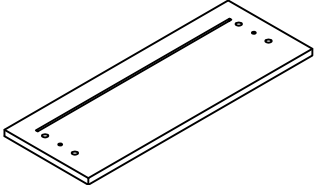
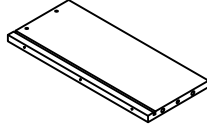

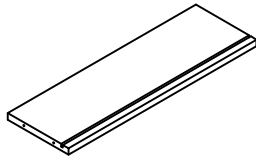

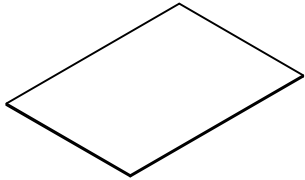
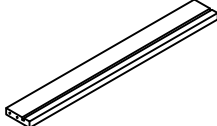
# HARDWARE LIST

Item no. Nr. N °d article' Articolo No. Artículo No	Reference Image Referenzbild Image de référence Immagine di riferimento Imagen de referencia	Qty Menge Qté. Qtà Cant.	Item no. Nr. N °d article' Articolo No. Artículo No	Reference Image Referenzbild Image de référence Immagine di riferimento Imagen de referencia	Qty Menge Qté. Qtà Cant.
<b>A</b>	 M5*45mm	<b>14+2 PCS</b>	<b>J</b>		<b>1 PCS</b>
<b>B</b>	 M6*35mm	<b>32+2 PCS</b>	<b>K1</b> <b>K2</b>	  Ø3*16mm	<b>4+1 sets</b>
<b>C</b>		<b>32+2 PCS</b>		 M4	<b>1 PCS</b>
<b>D</b>	 Ø6*30mm	<b>30+2 PCS</b>		CR  CL  DR  DL  L:300mm	<b>3 sets</b>
<b>E</b>	 Ø3.5*12mm	<b>38+2 PCS</b>			<b>1 PCS</b>
<b>F</b>	 Ø4*35mm	<b>12+2 PCS</b>			<b>1 PCS</b>
<b>G</b>		<b>1 sets</b>			
<b>H</b>		<b>1 PCS</b>			

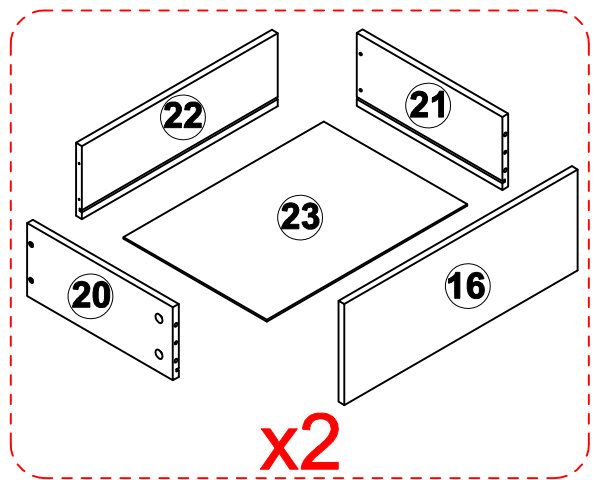
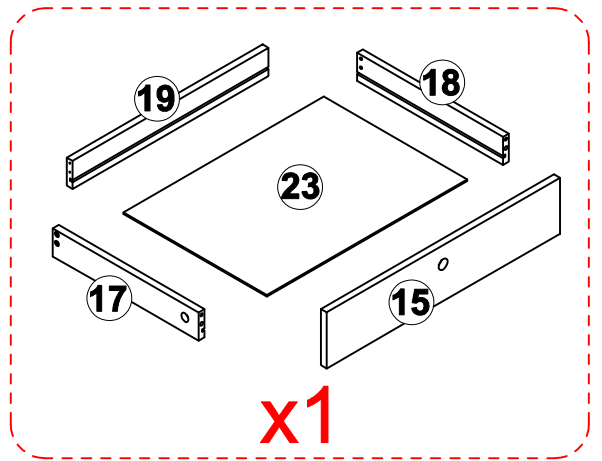
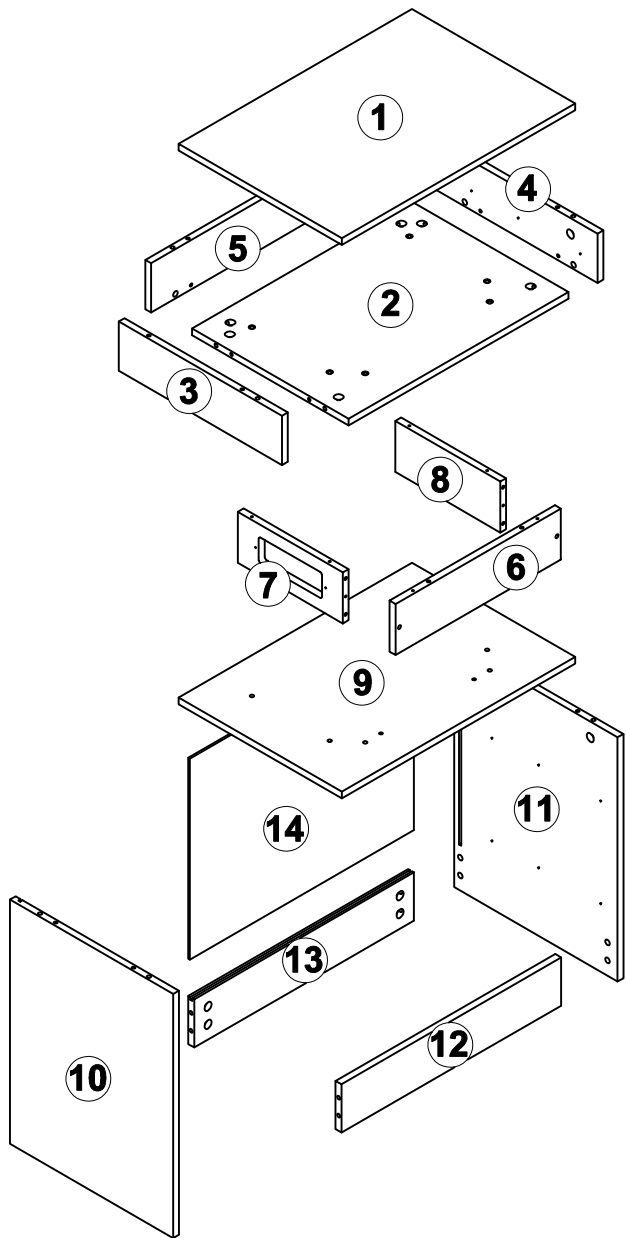
# PART LIST

Item no. Nr. N °d article' Articolo No. Artículo No	Reference Image Referenzbild Image de référence Immagine di riferimento Imagen de referencia	Qty Menge Qté. Qtà Cant.	Item no. Nr. N °d article' Articolo No. Artículo No	Reference Image Referenzbild Image de référence Immagine di riferimento Imagen de referencia	Qty Menge Qté. Qtà Cant.
①		X 1	⑧		X 1
②		X 1	⑨		X 1
③		X 1	⑩		X 1
④		X 1	⑪		X 1
⑤		X 1	⑫		X 1
⑥		X 1	⑬		X 1
⑦		X 1	⑭		X 1

# PART LIST

Item no. Nr. N °d article' Articolo No. Artículo No	Reference Image Referenzbild Image de référence Immagine di riferimento Imagen de referencia	Qty Menge Qté. Qtà Cant.	Item no. Nr. N °d article' Articolo No. Artículo No	Reference Image Referenzbild Image de référence Immagine di riferimento Imagen de referencia	Qty Menge Qté. Qtà Cant.
15		X 1	20		X 2
16		X 2	21		X 2
17		X 1	22		X 2
18		X 1	23		X 3
19		X 1			

# EXPLODED VIEW

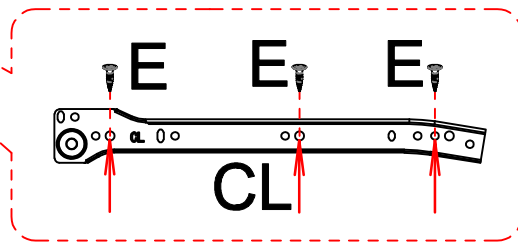
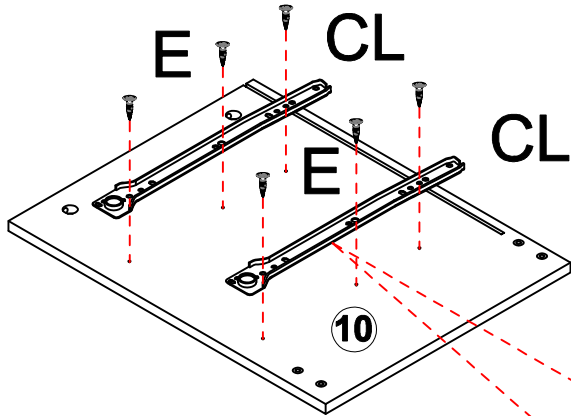


1

Ø3.5\*12mm  
E 6PCS

CL 2PCS

10 1PC



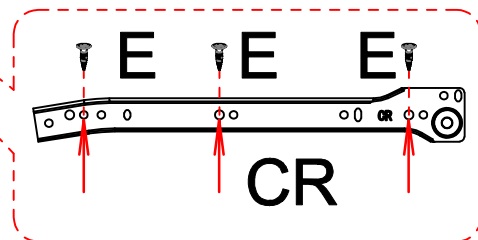
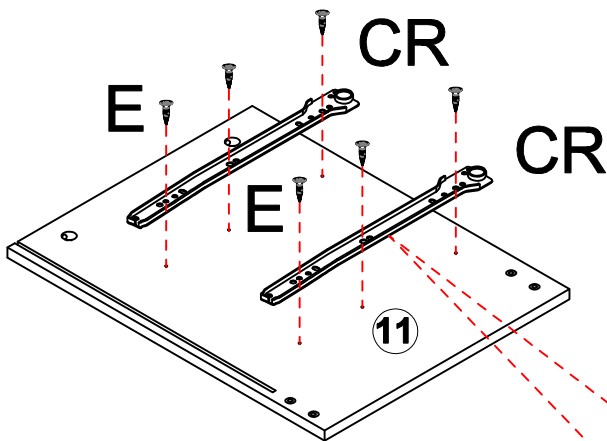
Important reminder: Please assemble the E screw according to the hole indicated by the arrow

2

Ø3.5\*12mm  
E 6PCS

CR 2PCS

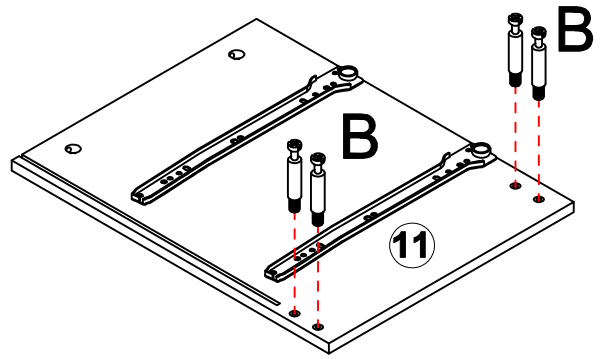
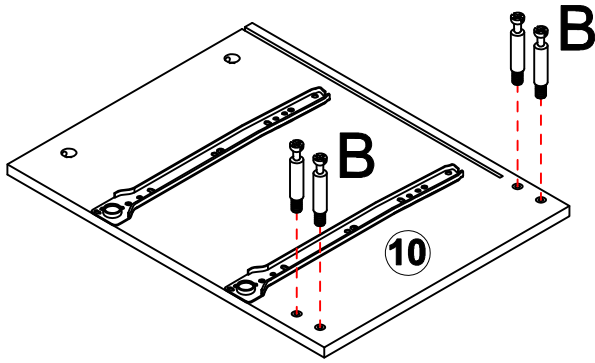
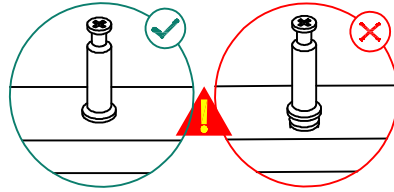
11 1PC



Important reminder: Please assemble the E screw according to the hole indicated by the arrow

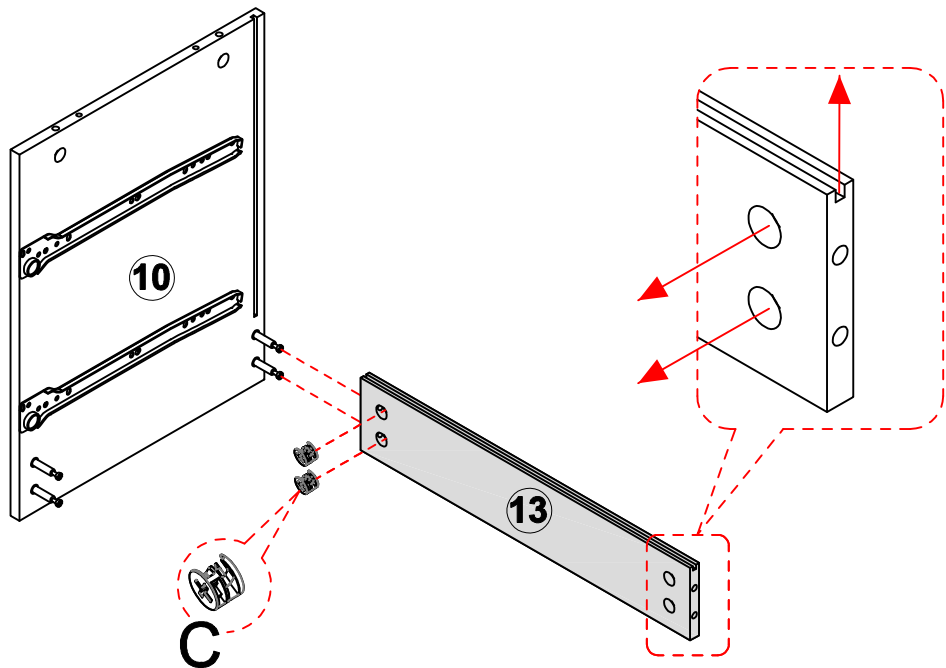
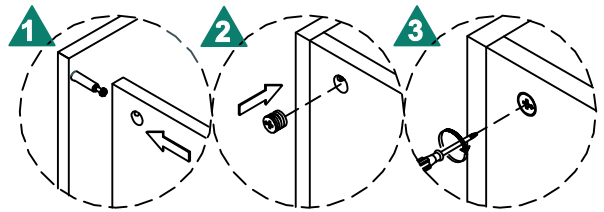
3

M6\*35mm  
B 8PCS



4

C 2PCS  
13 1PC



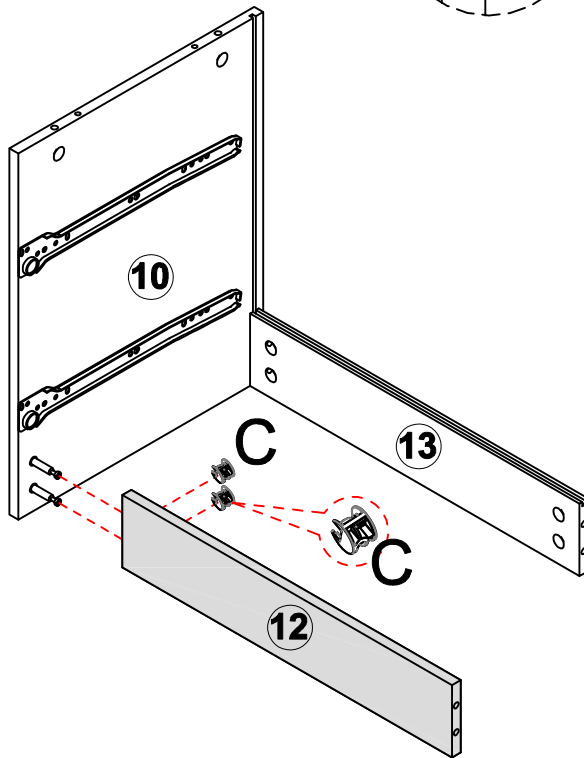
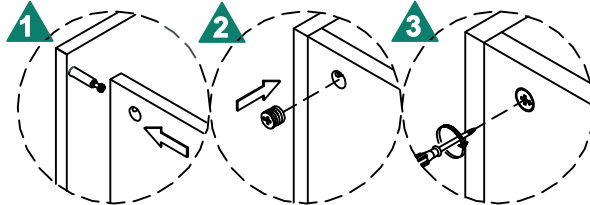
5



C2PCS



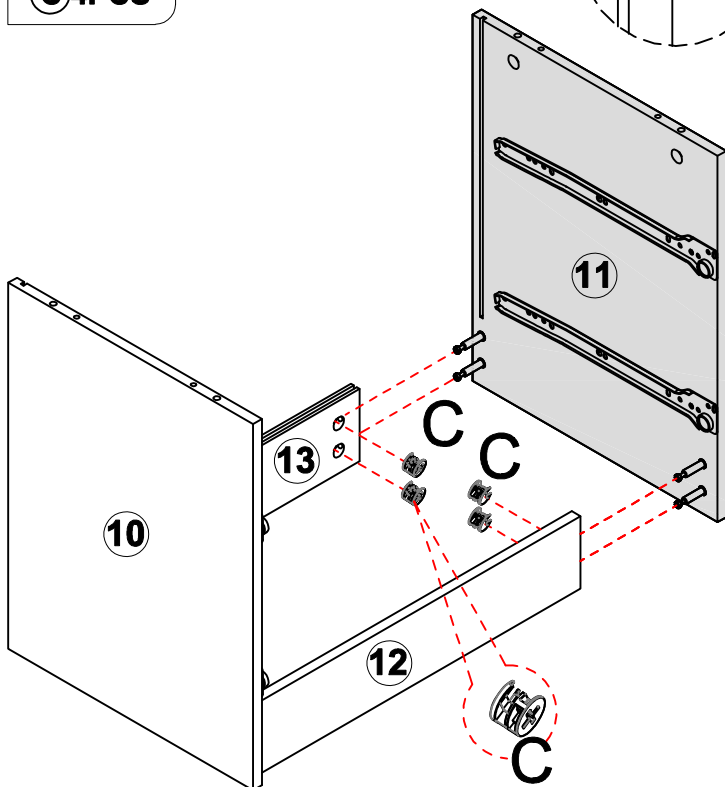
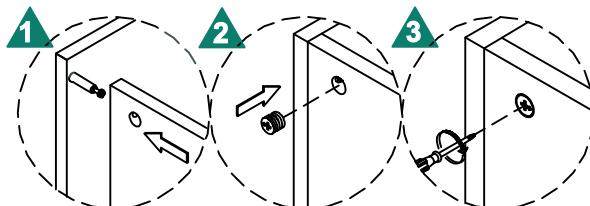
12 1PC



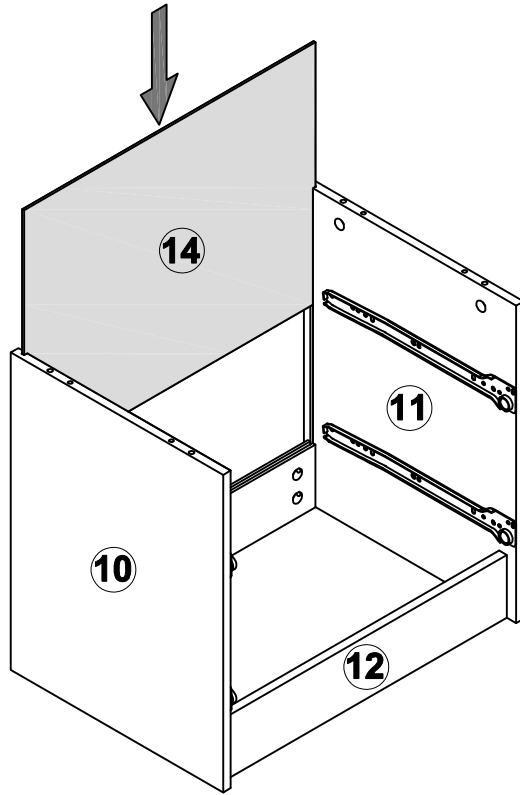
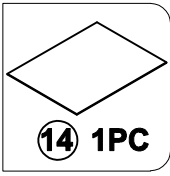
6



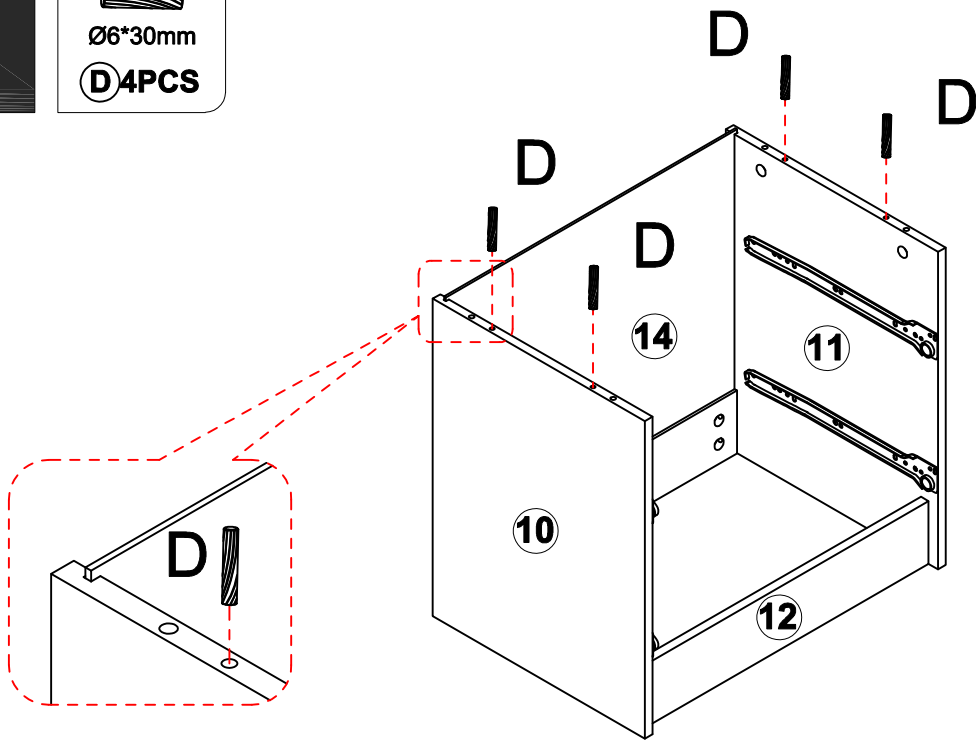
C4PCS



7



8



# 9

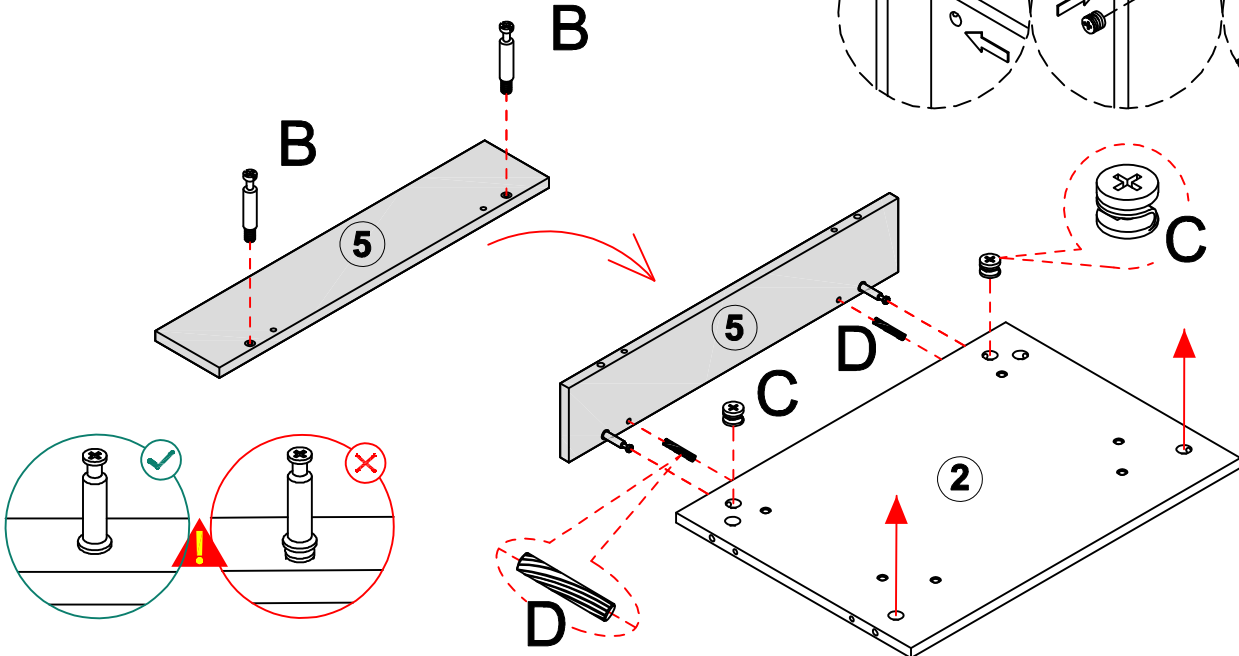
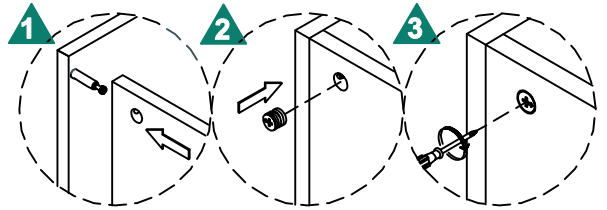
M6\*35mm  
B 2PCS

C 2PCS

Ø6\*30mm  
D 2PCS

2 1PC

5 1PC



# 10

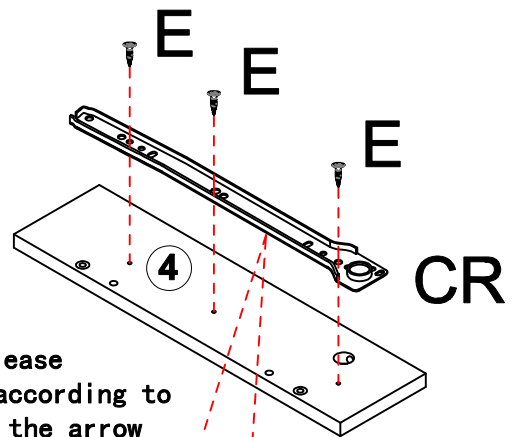
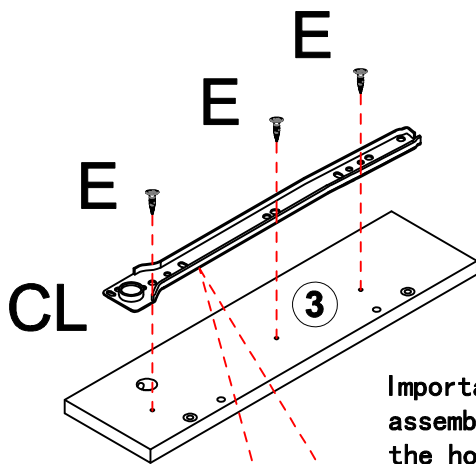
Ø3.5\*12mm  
E 6PCS

CL 1PCS

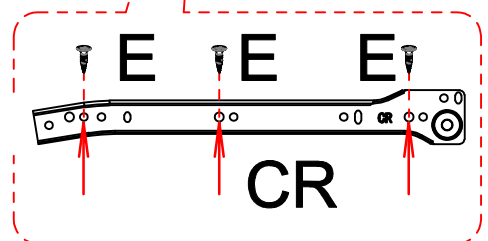
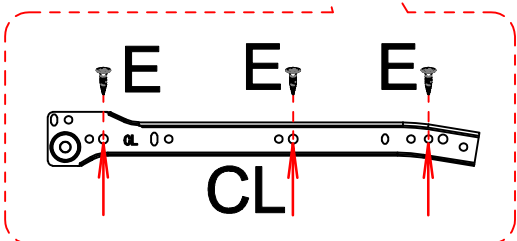
CR 1PCS

3 1PC

4 1PC

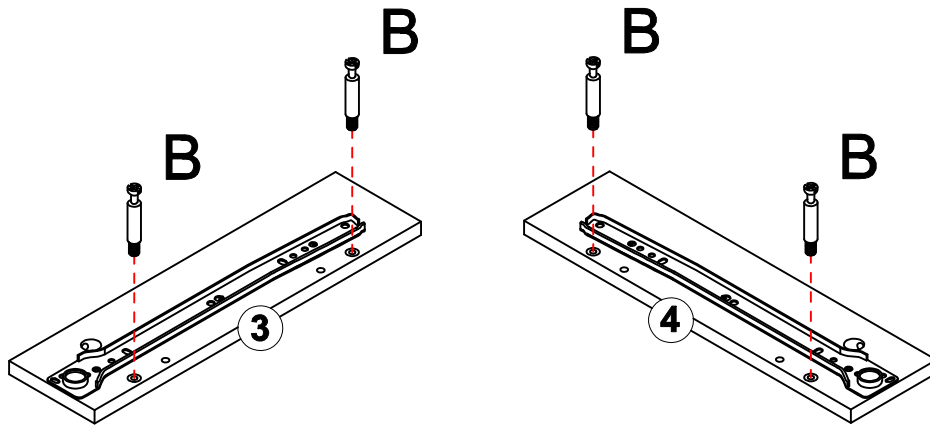
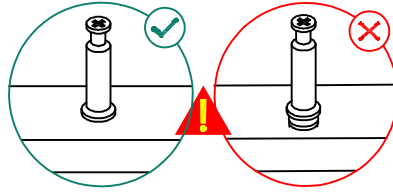


Important reminder: Please assemble the E screw according to the hole indicated by the arrow



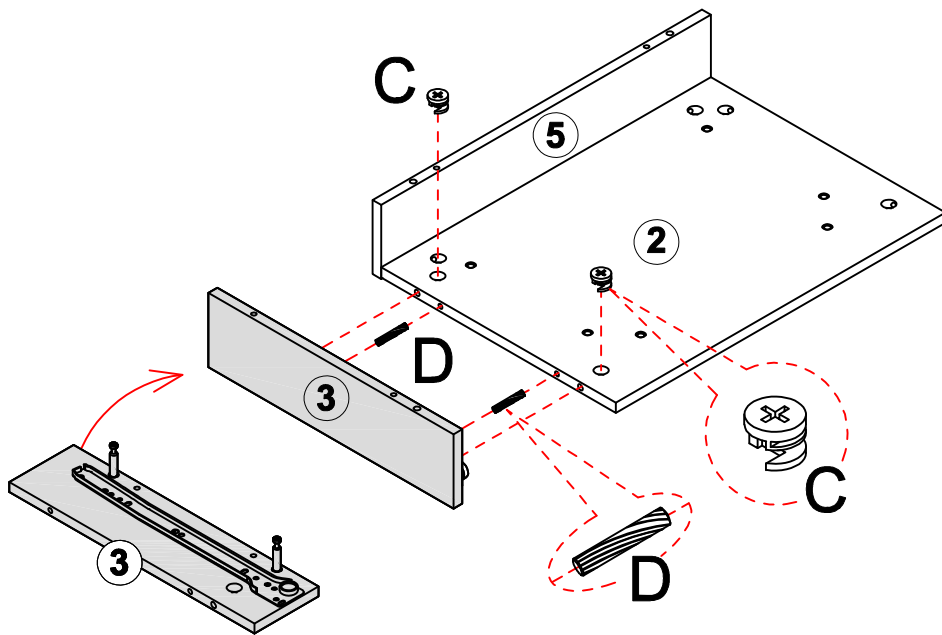
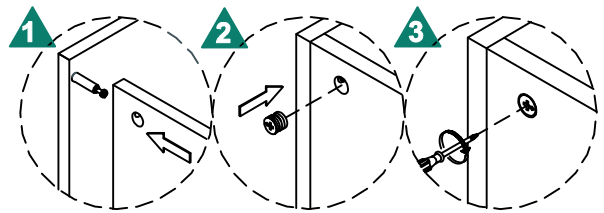
11

M6\*35mm  
B 4PCS

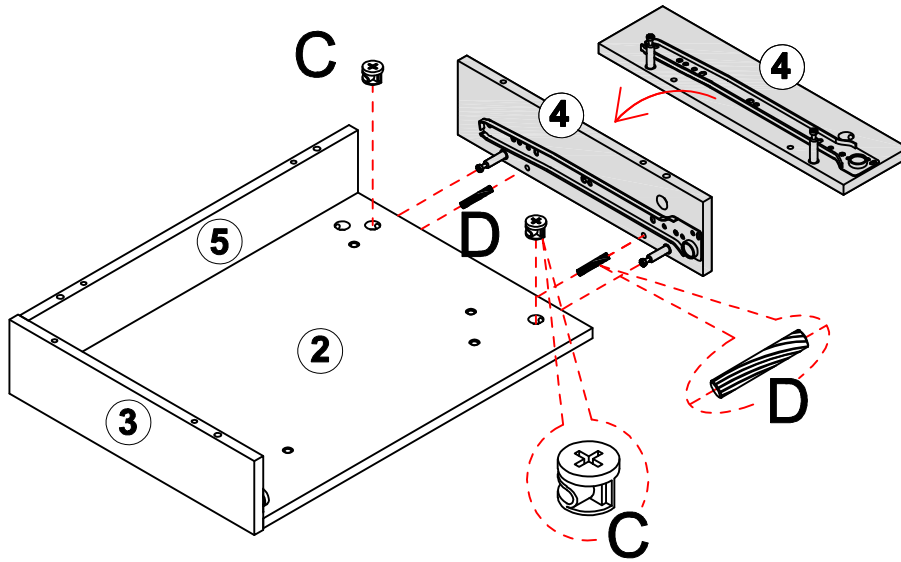
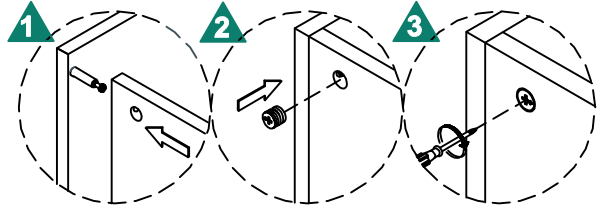


12

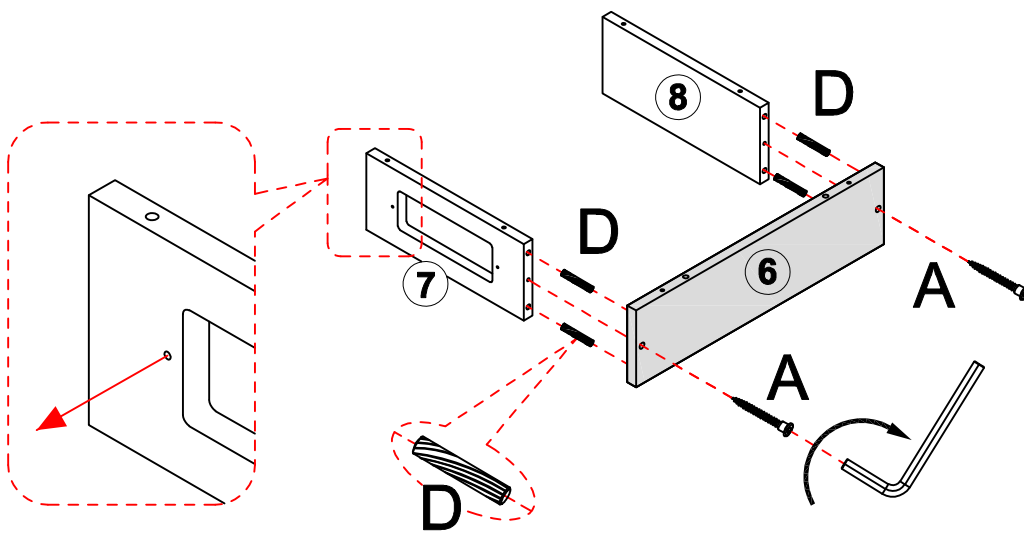
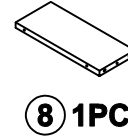
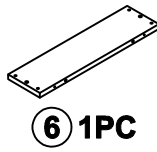
C 2PCS  
D 2PCS  
Ø6\*30mm



# 13



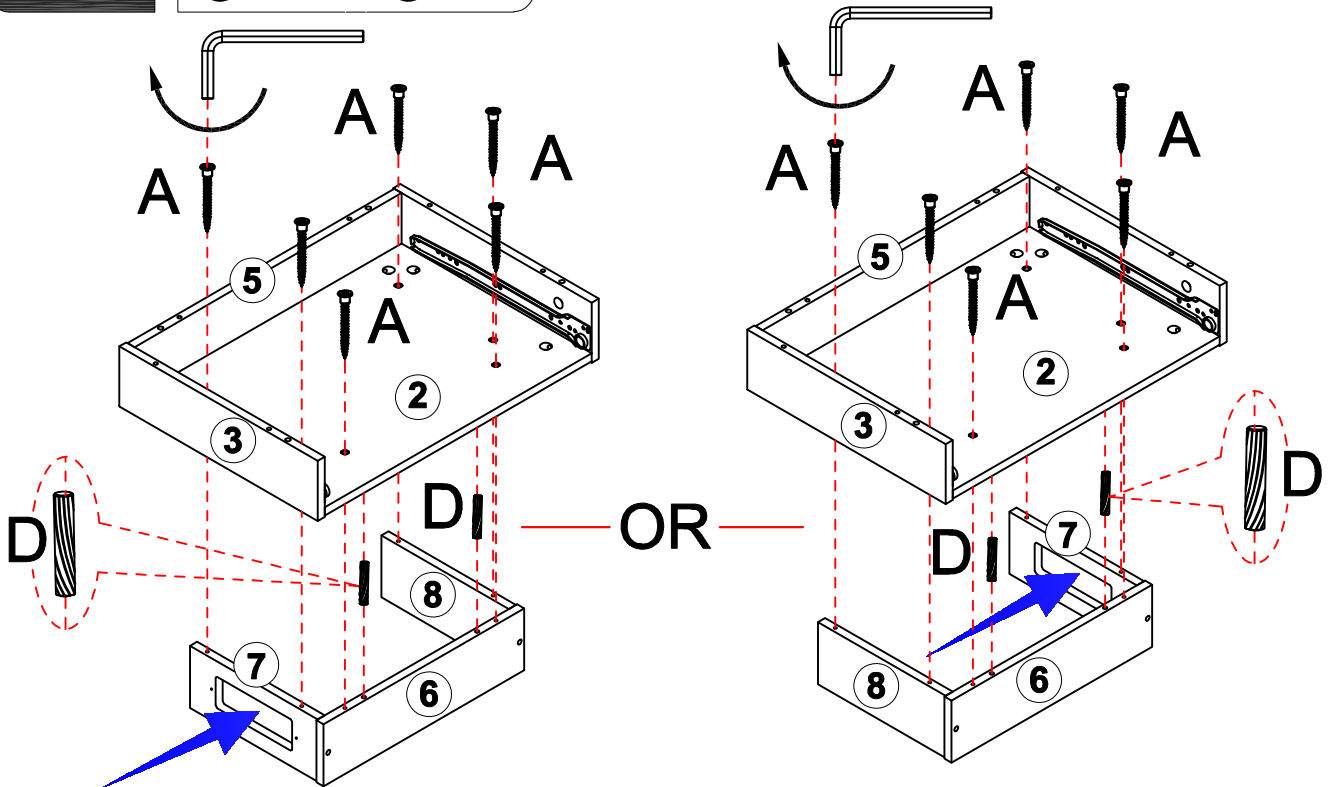
# 14



# 15

M5\*45mm  
A 6PCS

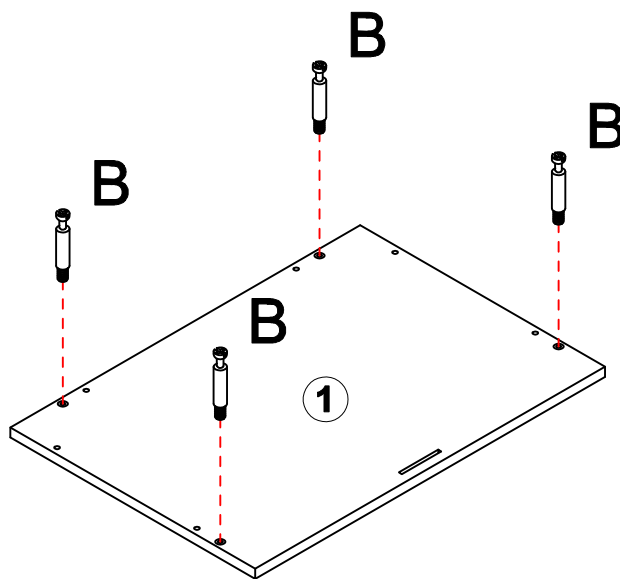
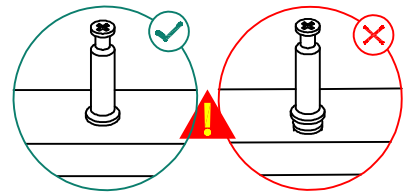
Ø6\*30mm  
D 2PCS




# 16

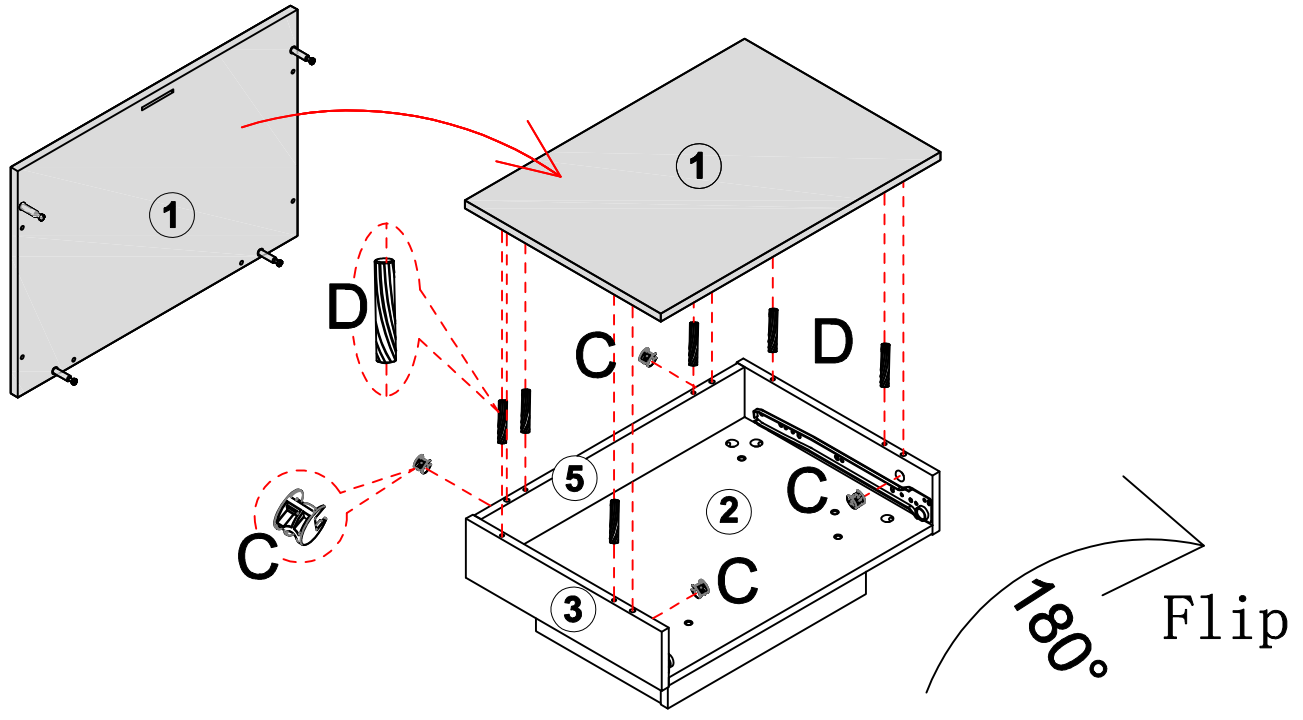
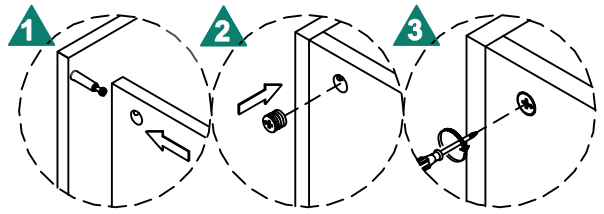
M6\*35mm  
B 4PCS

1 1PC



17


  
**C** 4PCS      **D** 6PCS

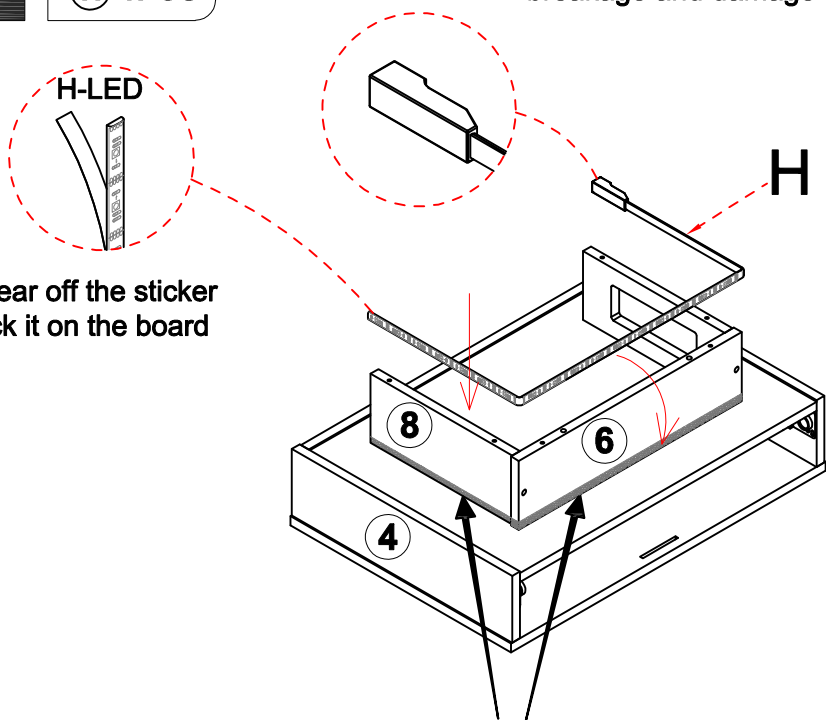


18


  
**H** 1PCS

**Attention**

Attention: Be careful when taking out the LED strip. Please don't pull it too hard to avoid wire breakage and damage at the corners



Please tear off the sticker then stick it on the board

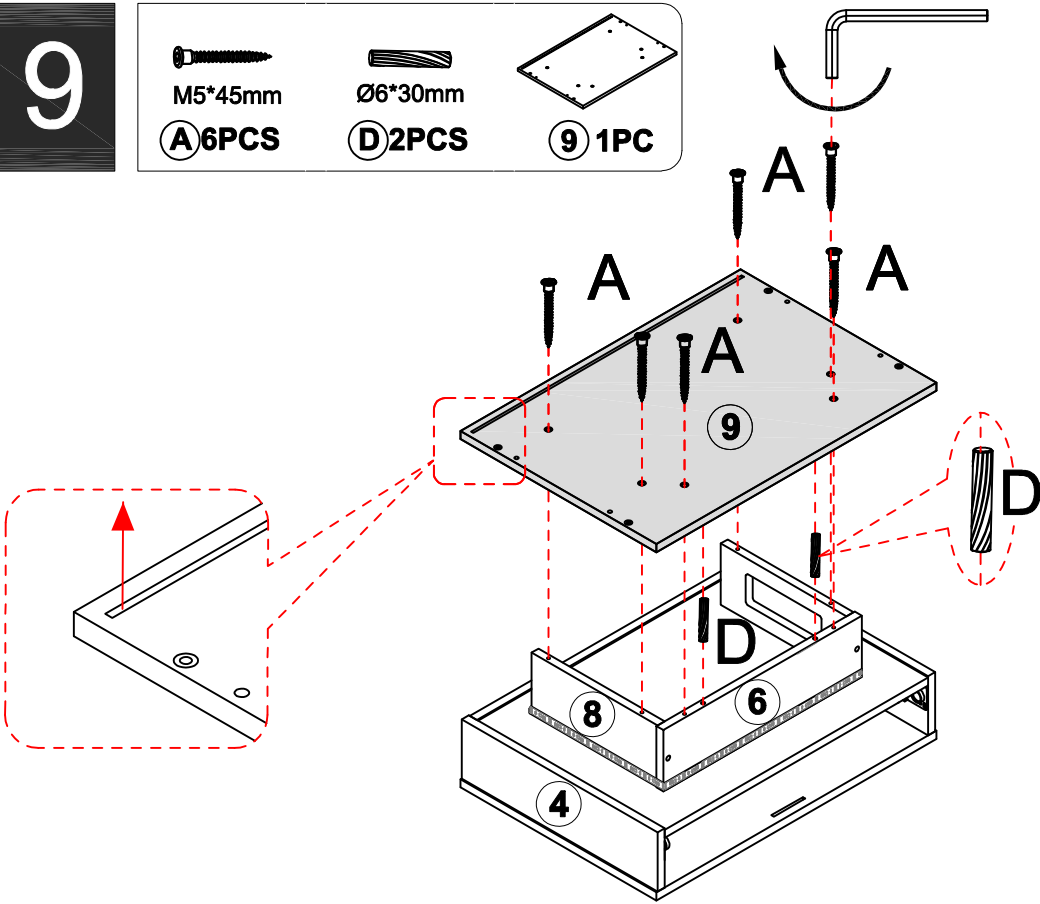
Flatten the LED light strip and paste it underneath

19

M5\*45mm  
A 6PCS

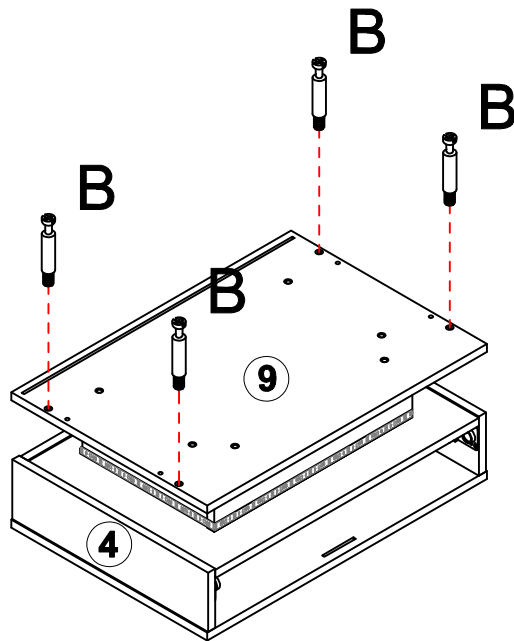
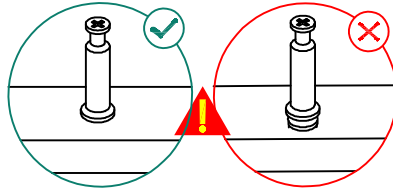
Ø6\*30mm  
D 2PCS

9 1PC



20

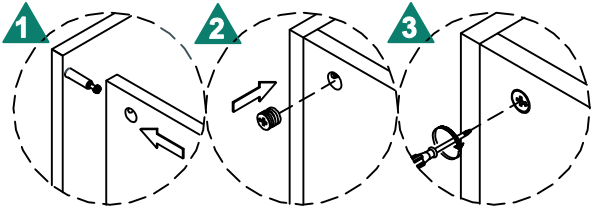
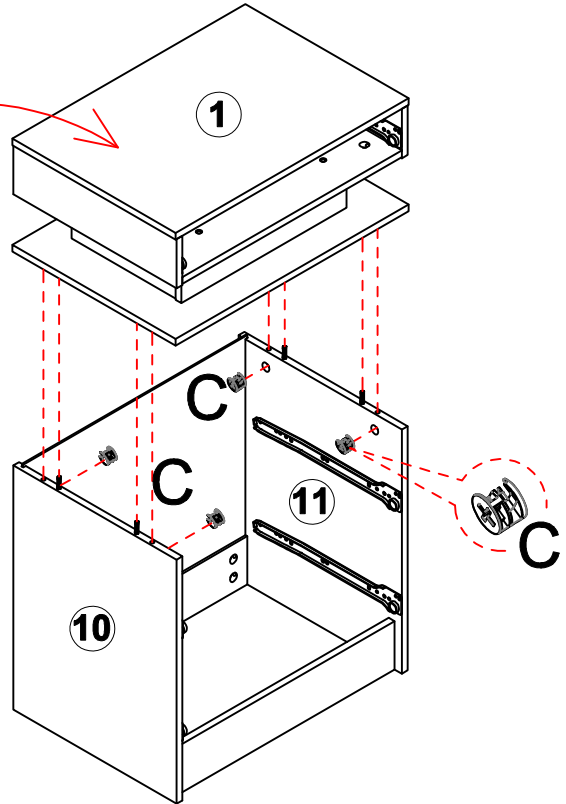
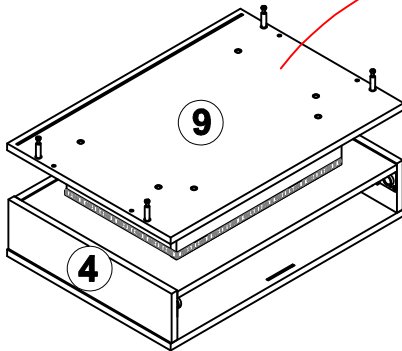
M6\*35mm  
B 4PCS



21



C4PCS

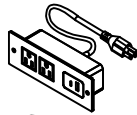


22

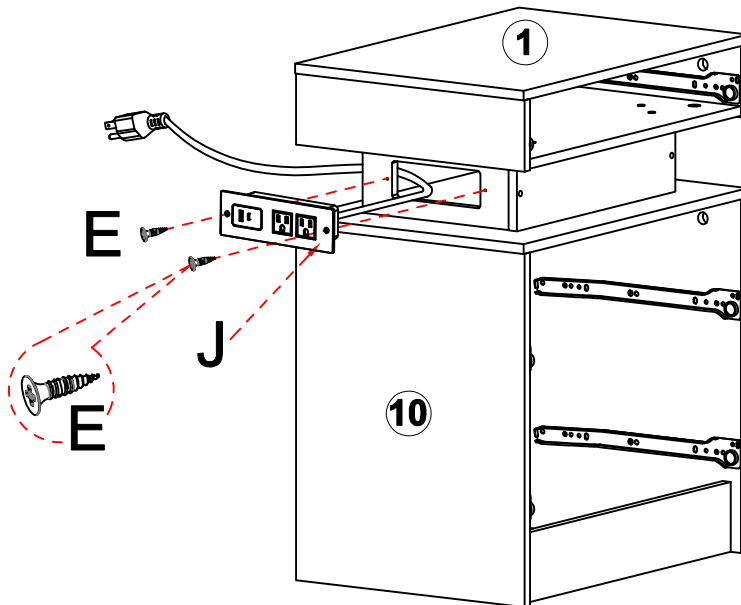


Ø3.5\*12mm

E2PCS



J1PCS



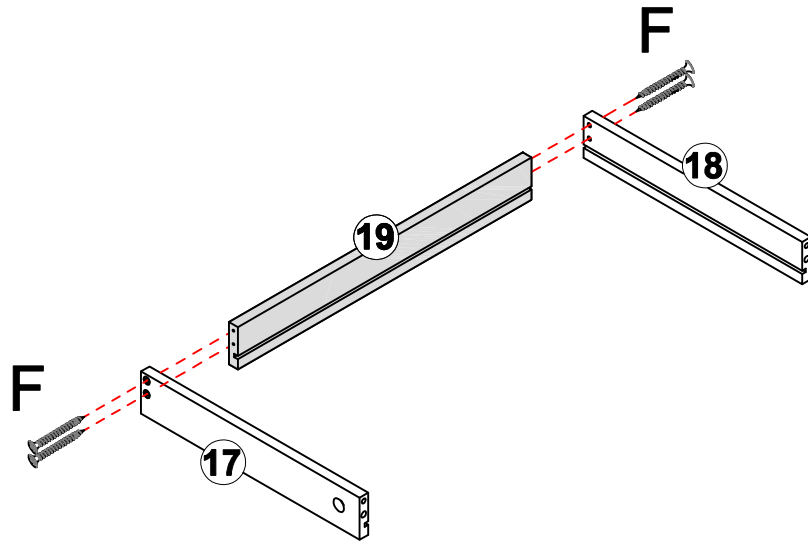
23

Ø4\*35mm  
F 4PCS

17 1PC

18 1PC

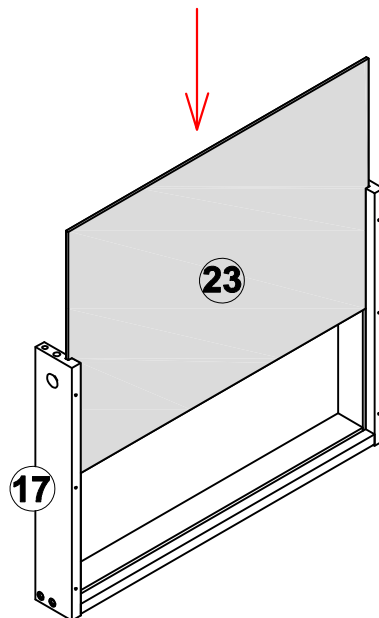
19 1PC



x1

24

23 1PC



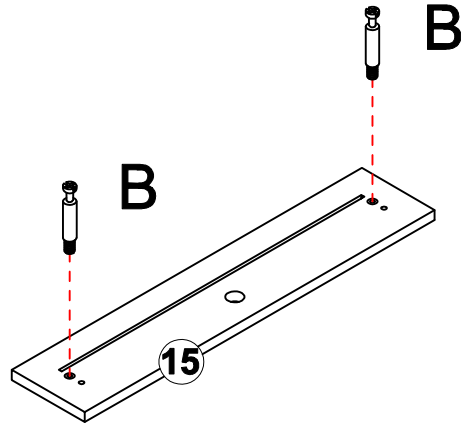
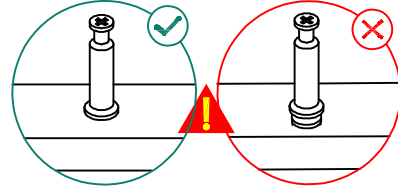
x1

P17/26

25

M6\*35mm  
B 2PCS

15 1PC

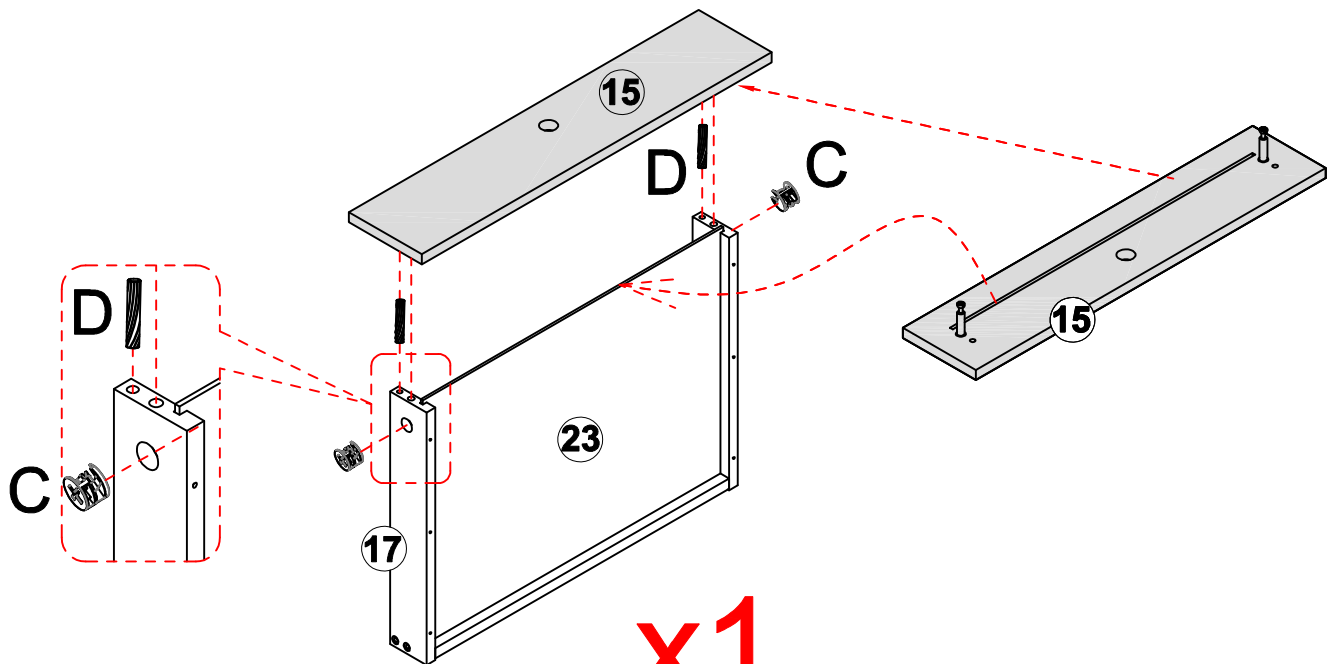
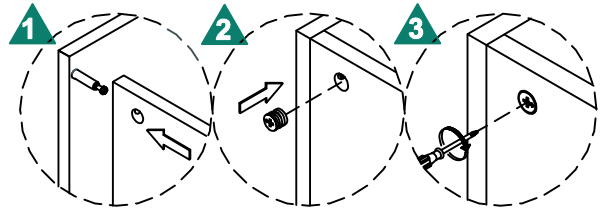


x1

26

C 2PCS

Ø6\*30mm  
D 2PCS



x1

27

Ø3.5\*12mm

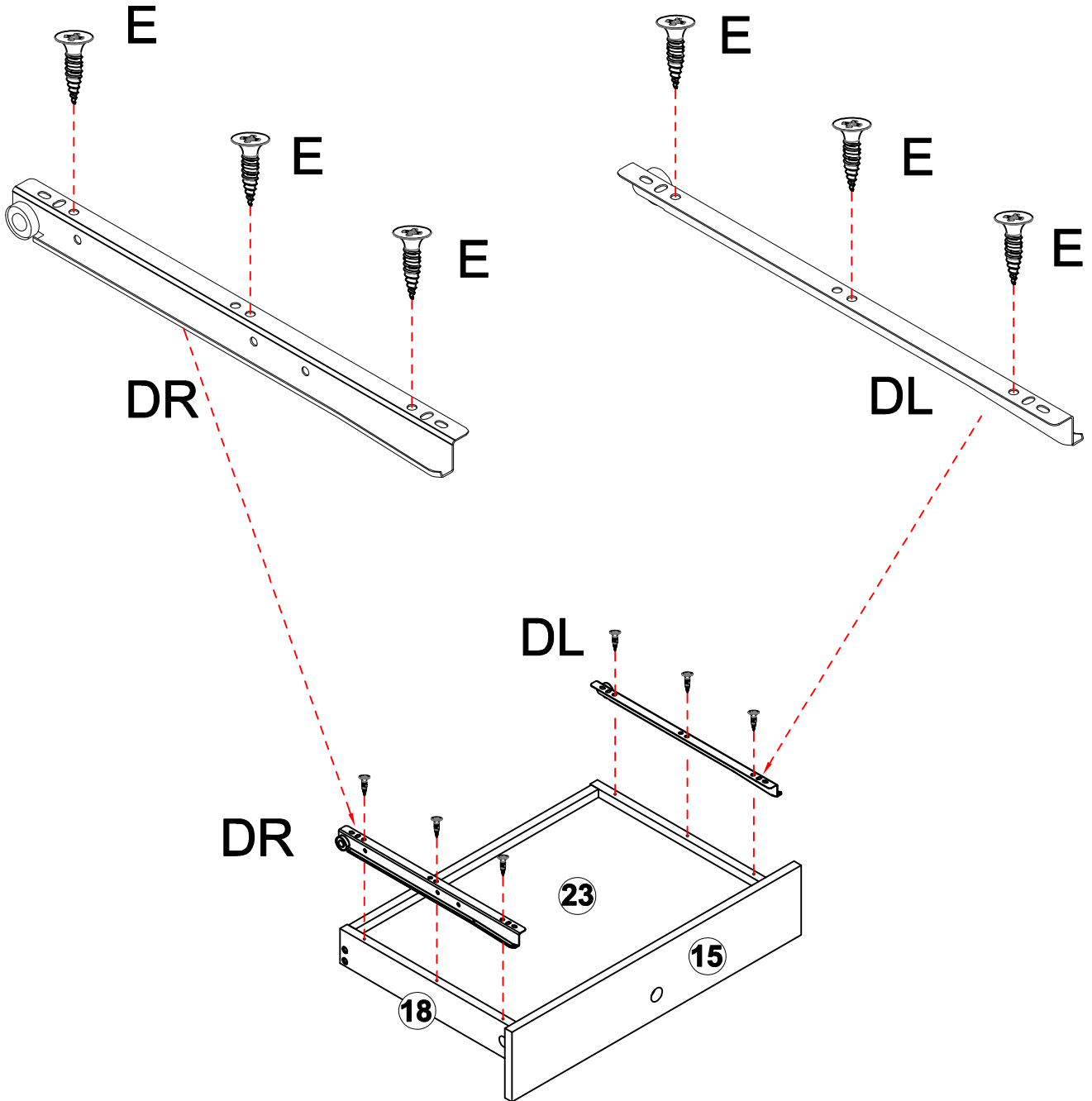
(E) 6PCS



(DL) 1PCS



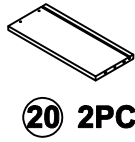
(DR) 1PCS



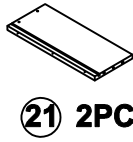
x1

28

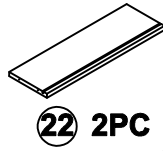
Ø4\*35mm  
F 8PCS



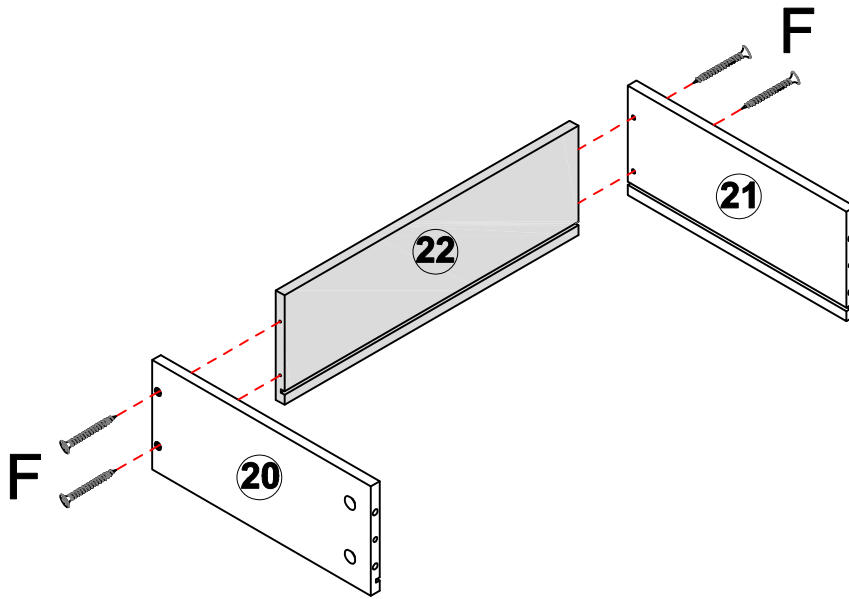
20 2PC



21 2PC

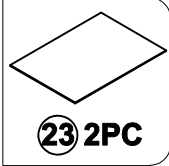


22 2PC

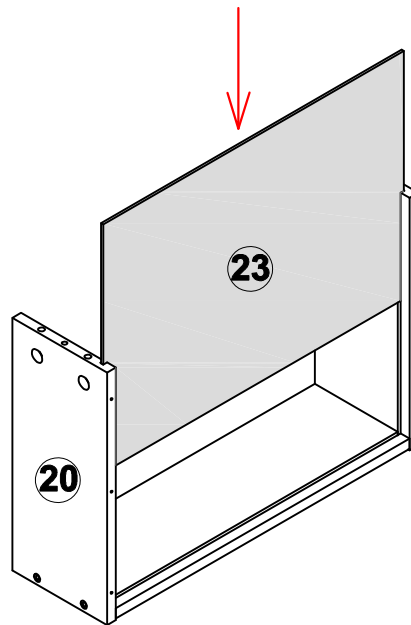


x2

29



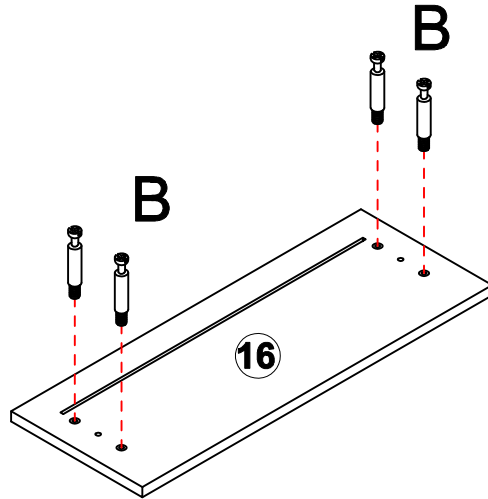
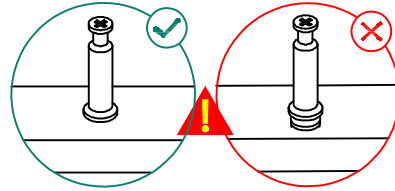
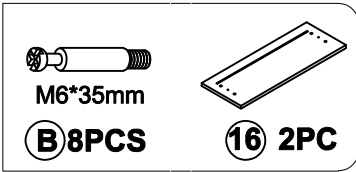
23 2PC



x2

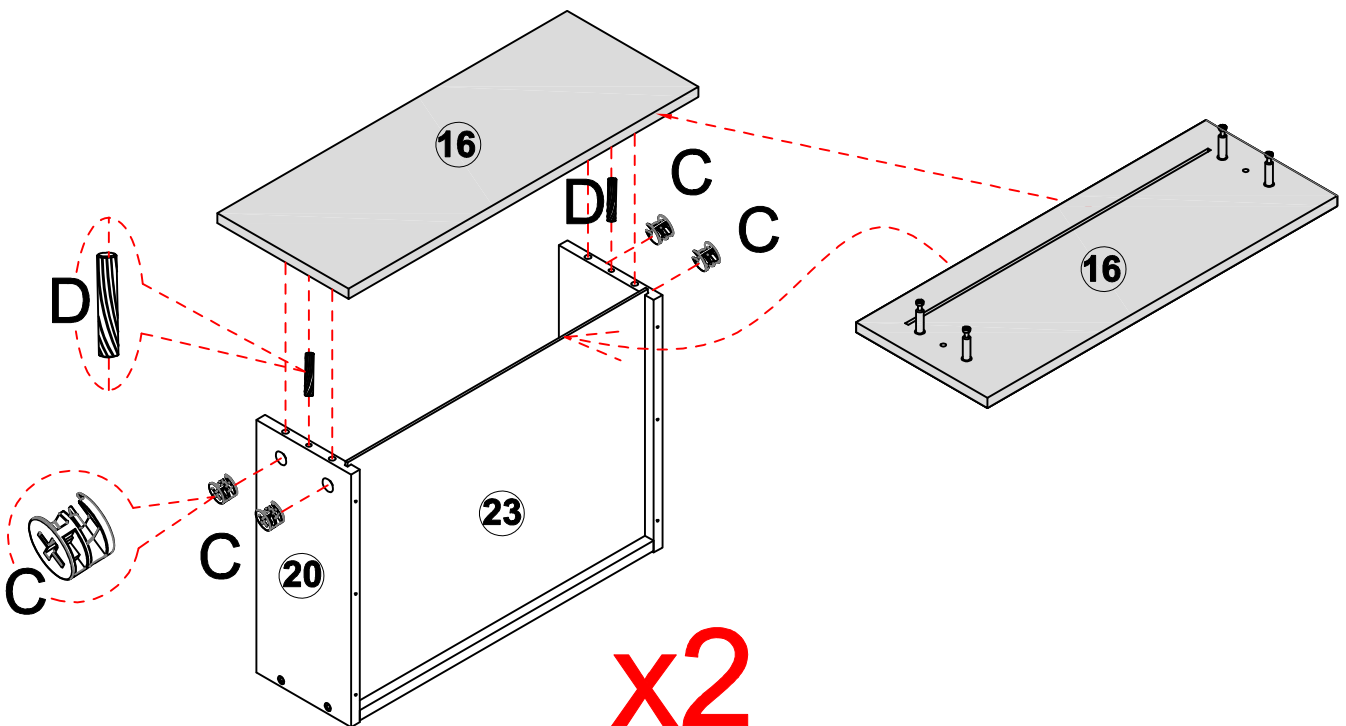
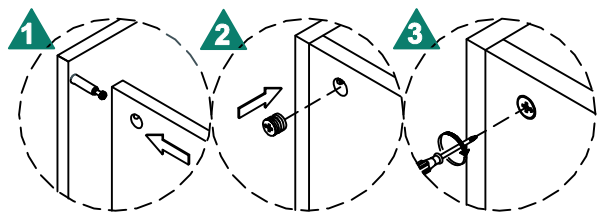
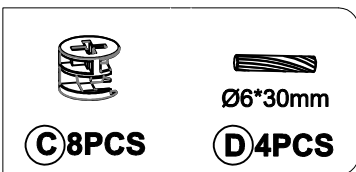
P20/26

30



x2

31



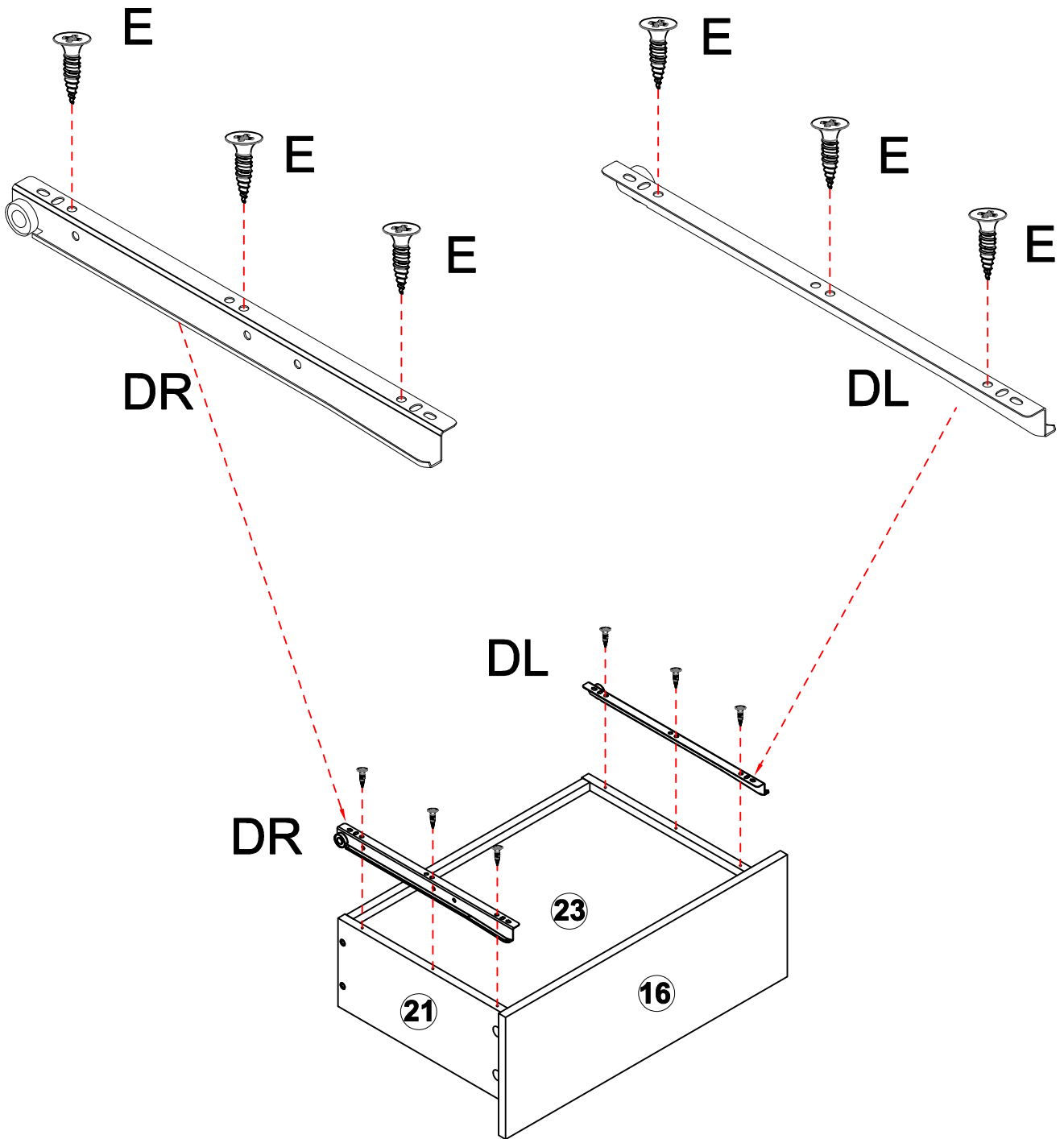
x2

32

Ø3.5\*12mm  
E 12PCS

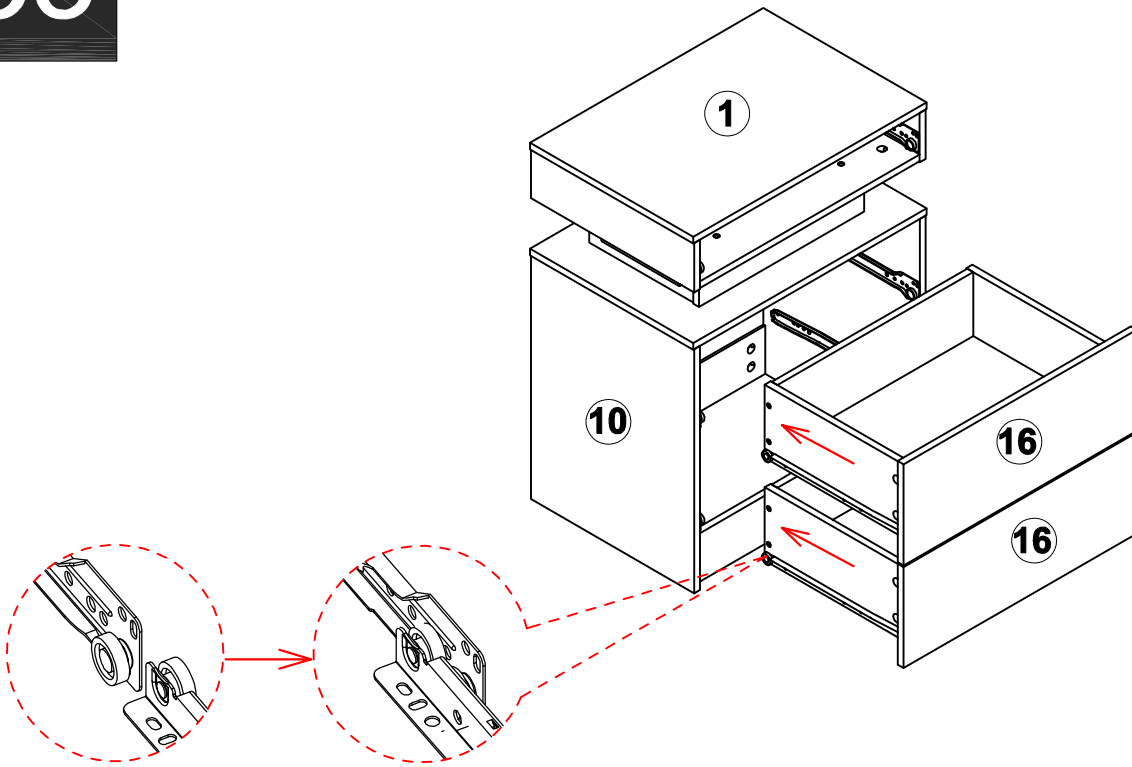
DL 2PCS

DR 2PCS

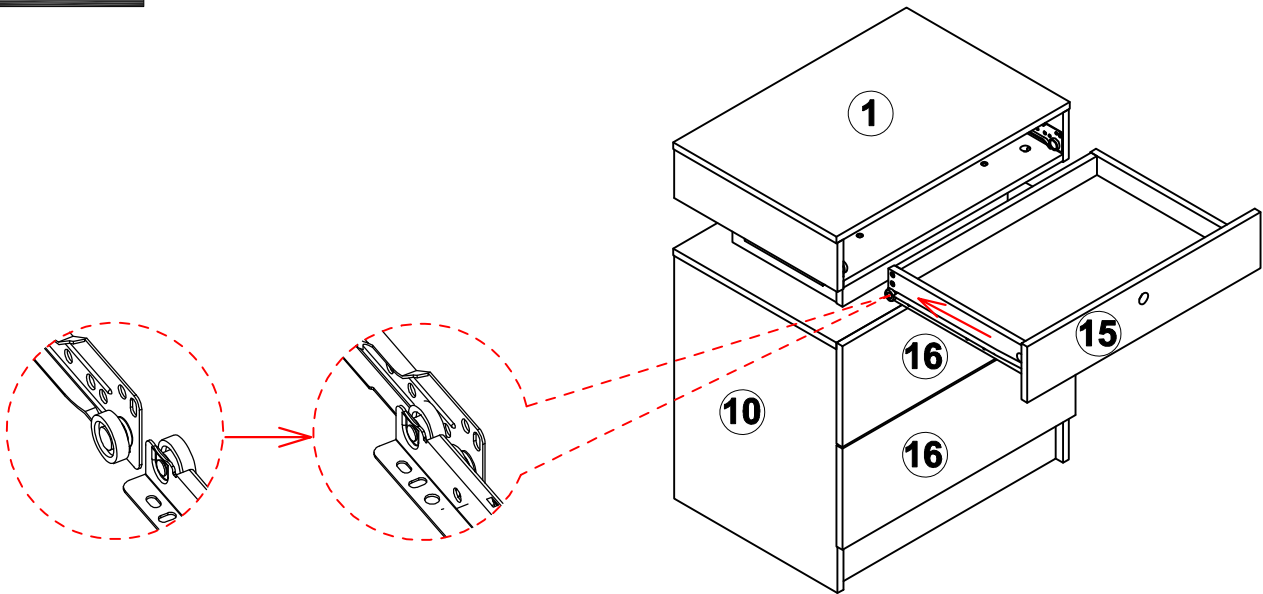


x2

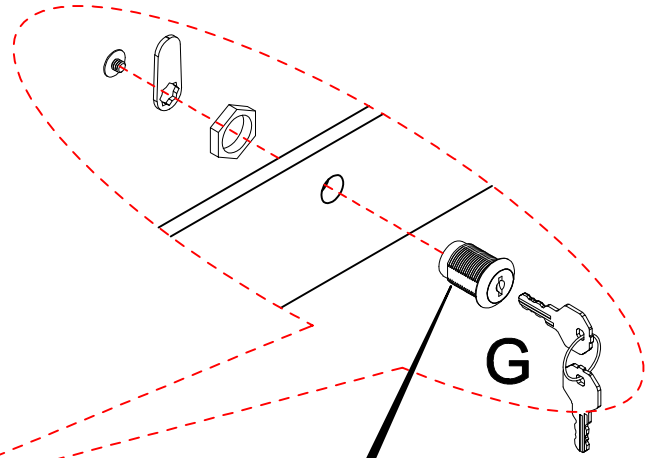
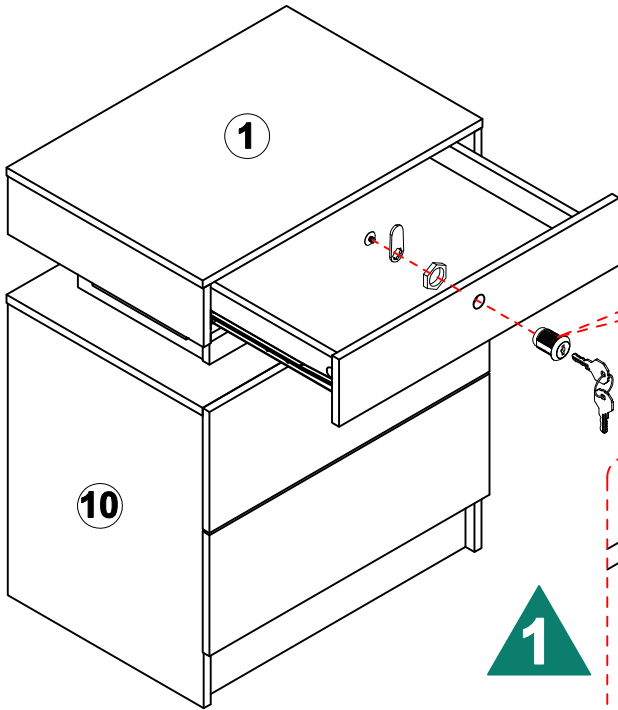
33



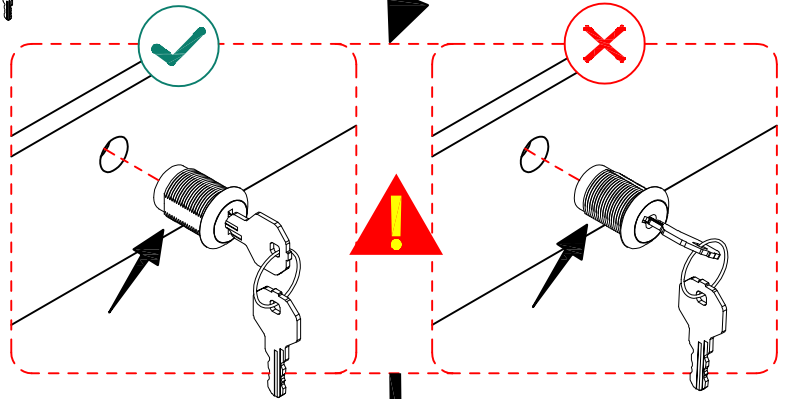
34



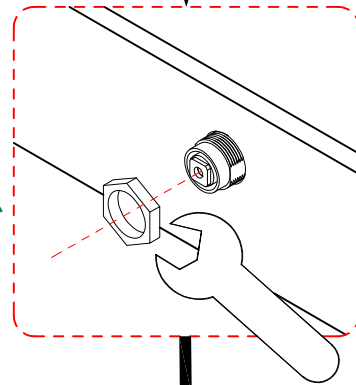
35



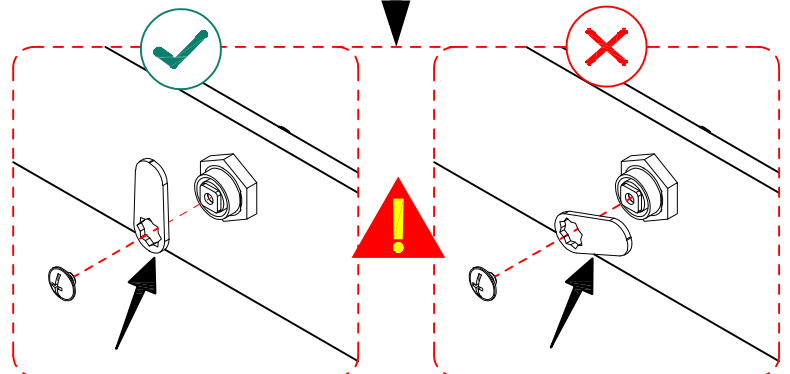
1




2




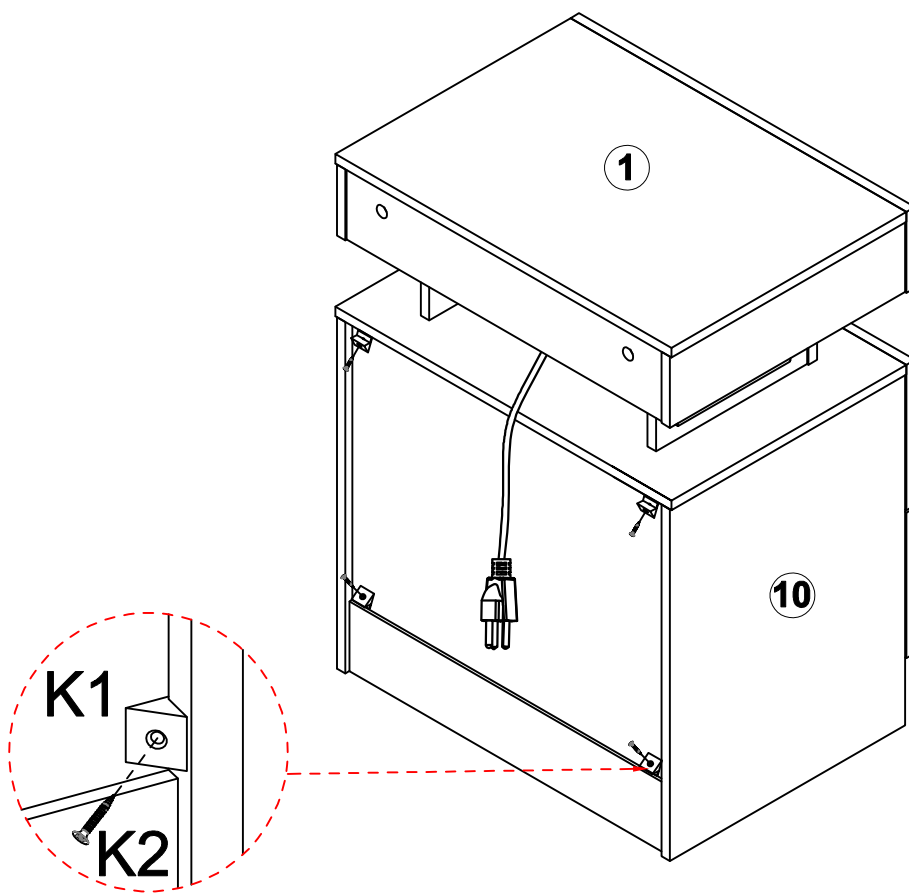
3



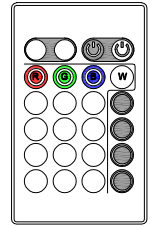
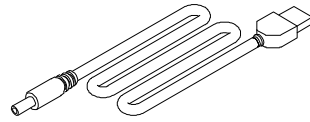
**36**

  
**K1 4PCS**

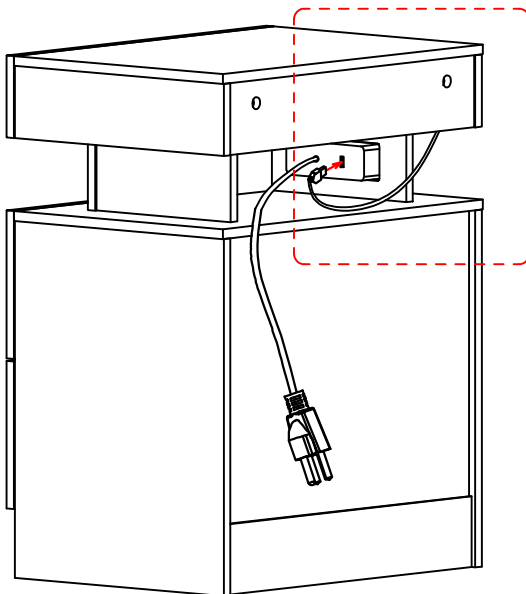
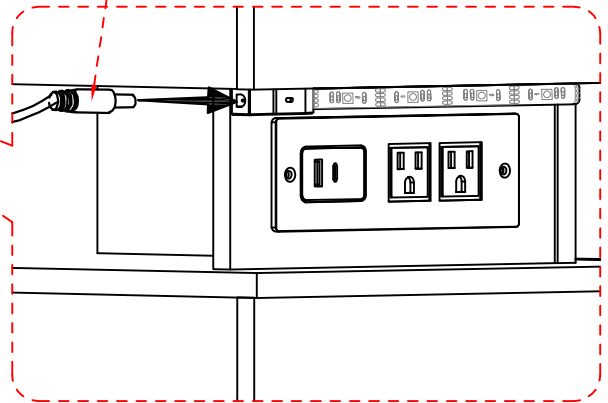
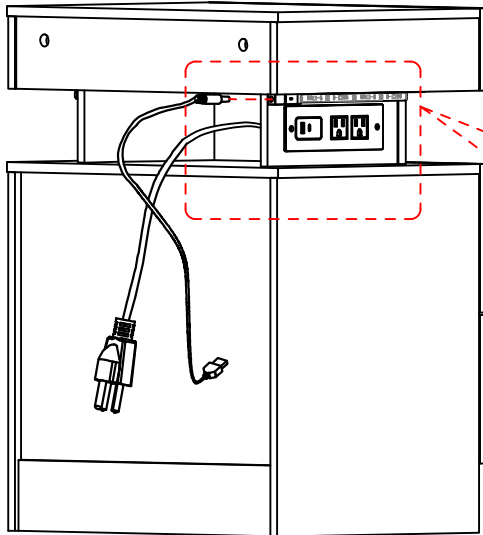
  
Ø3\*16mm  
**K2 4PCS**



37



H



H

