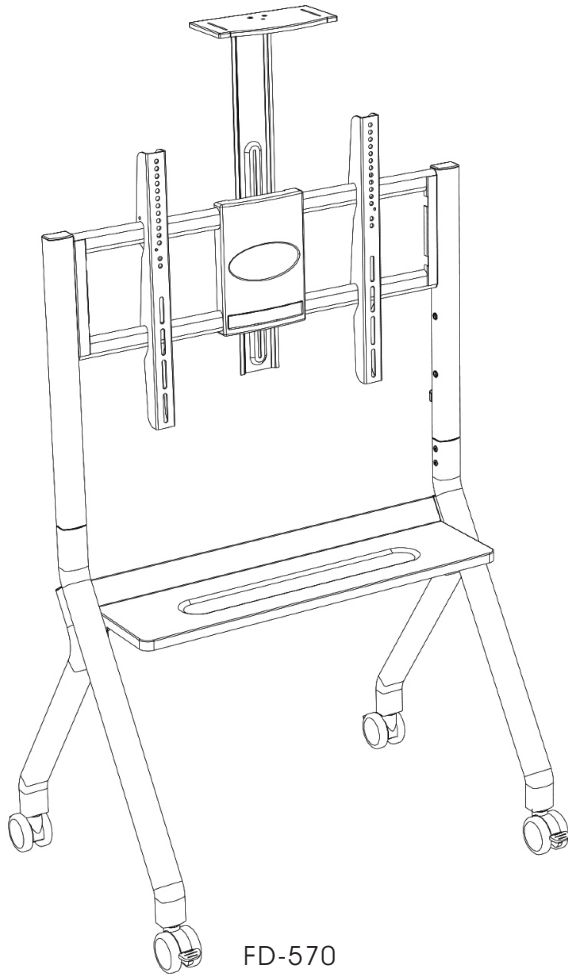


# Installation Instructions



FD-570

FITS 42" - 75"

Load bearing range: 80KG/176LBS

Pallet load-bearing range: 20KG/44LBS

Camera Component Load Capacity: 4.5KG/10LBS

VESA: 100X100-700X500MM

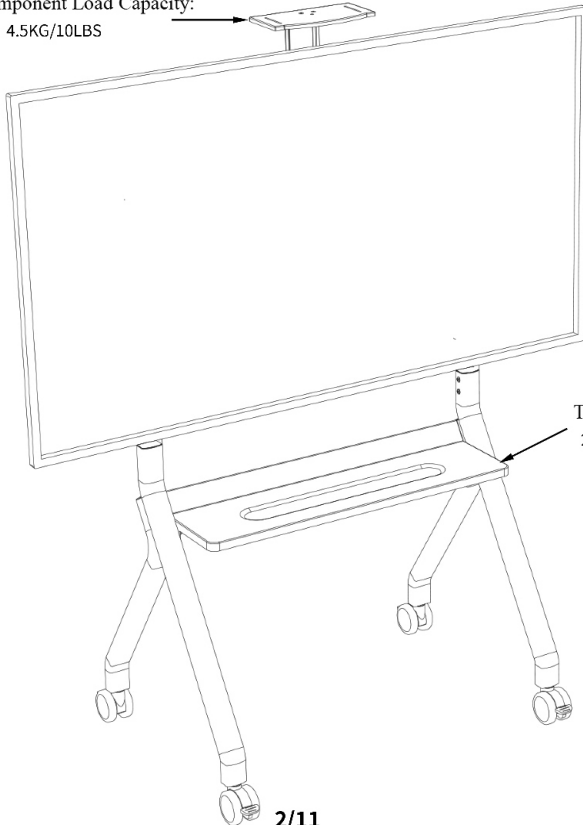
Modification and alteration rights belong to our company. Please refrain from making any changes or modifications to the installation instructions without formal notification from our company.

## Table of Contents

Table of Contents, Product Load Capacity Diagram .....	2/ 11
Warning .....	3/ 11
Bill of Materials .....	4/ 11
Assembly and Installation	
1. Wheel Installation .....	5/ 11
2. Tray Installation .....	6/ 11
3. Column Installation .....	7/ 11
4. Mounting Plate Installation .....	8/ 11
5. TV Mounting Hook Installation .....	9/ 11
6. Camera Component Installation .....	10/ 11
7. Product Technical Specifications .....	11/ 11

★ If you need to use a larger or smaller TV size, you can choose accordingly based on the VESA mounting holes on the back of the TV and the weight of the TV.

Camera Component Load Capacity:  
4.5KG/10LBS



Product Load Capacity:  
80KG/176LBS








Tray Load Capacity:  
20KG/44LBS

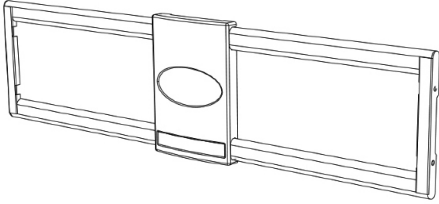


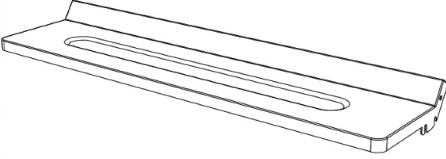
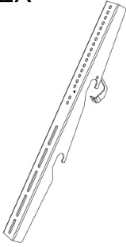



















## Warning!

Warning! Improper assembly or installation may result in serious injury, death, or property damage. Before assembling or installing, please carefully read the user manual and warning information.

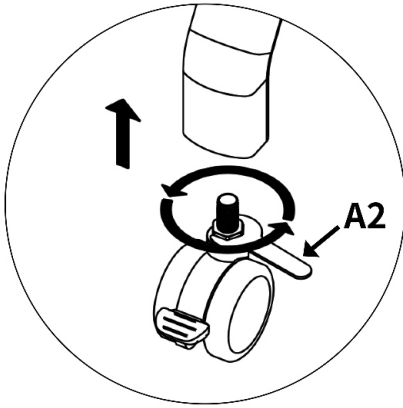
- If you do not understand the instructions or have any doubts or questions, please contact qualified local installation personnel.
  - Do not assemble or install the product if it is damaged or parts are missing. If you need replacement parts or other assistance, please contact your local dealer.
  - Please refrain from using this product for purposes other than its intended design.
  - The manufacturer hereby declares that they are not liable for any damages or injuries resulting from the following circumstances: self-modification of the product, improper installation, exceeding the specified load capacity, or improper use causing wear or damage to the product.
  - If children or adolescents climb on the audiovisual furniture unit due to toys, objects, remote controls, etc., placed on the furniture, it may lead to furniture tipping over, resulting in severe injuries or even death.
  - Changing the installation location or position of the audiovisual furniture unit, or reinstalling it in a way that cannot support or withstand the weight of the furniture, may cause the furniture to tip over and result in severe personal injuries or even death.
- In case of any discrepancies between illustrations and actual items, please refer to the actual items.

## Instructions

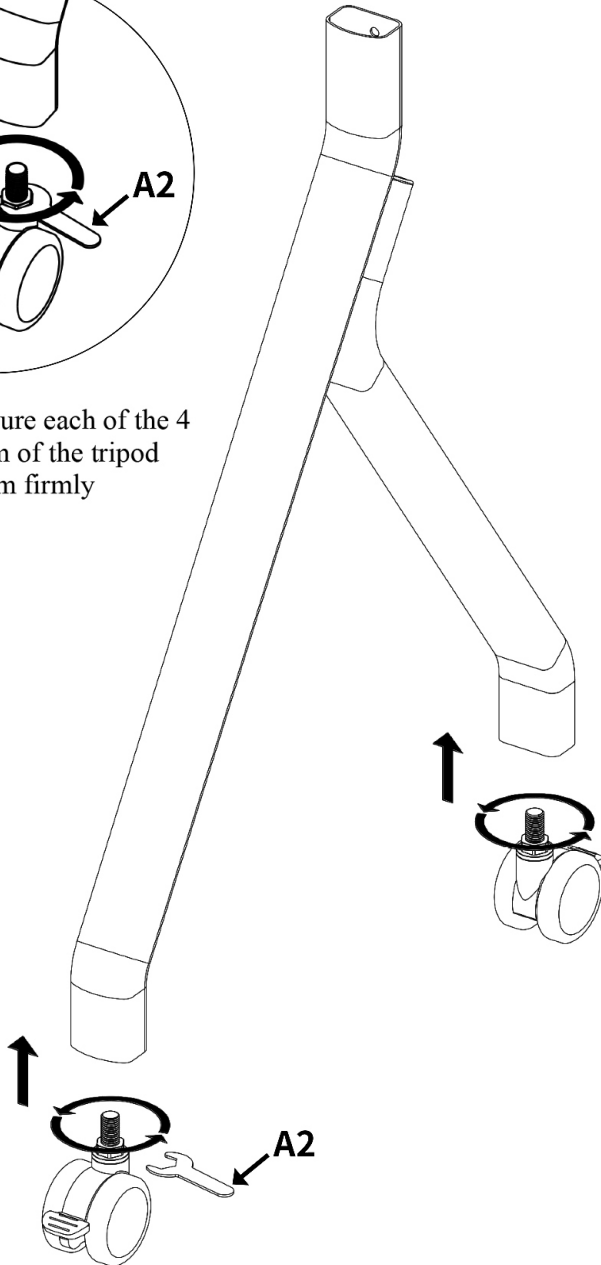
						
Tightening Direction	Loosening Directions	Screw Driver	Measuring Tape	Adjust	Manual	Hexagonal Wrench

<b>Bill of Materials</b>							
1X 		1X 		1X 			
1X 				Left      Right			
2X 	1X 	1X 	1X 	1X 			
		Left      Right		4X 			
A1 1X 	A2 1X 	B1 10X 	C1 4X 	C2 4X 	D1 2X 	D2 4X 	E1 2X 
		M8×20mm	M8×20mm	φ8×1.5mm	M6×10mm	M5×10mm	M5×18mm
F1 4X 	F2 4X 	G1 4X 	G2 4X 	H1 4X 	H2 4X 		
M8×25mm	M6×25mm	M5×25mm	M4×25mm	φ15×φ8.2×10mm	φ5×1mm		

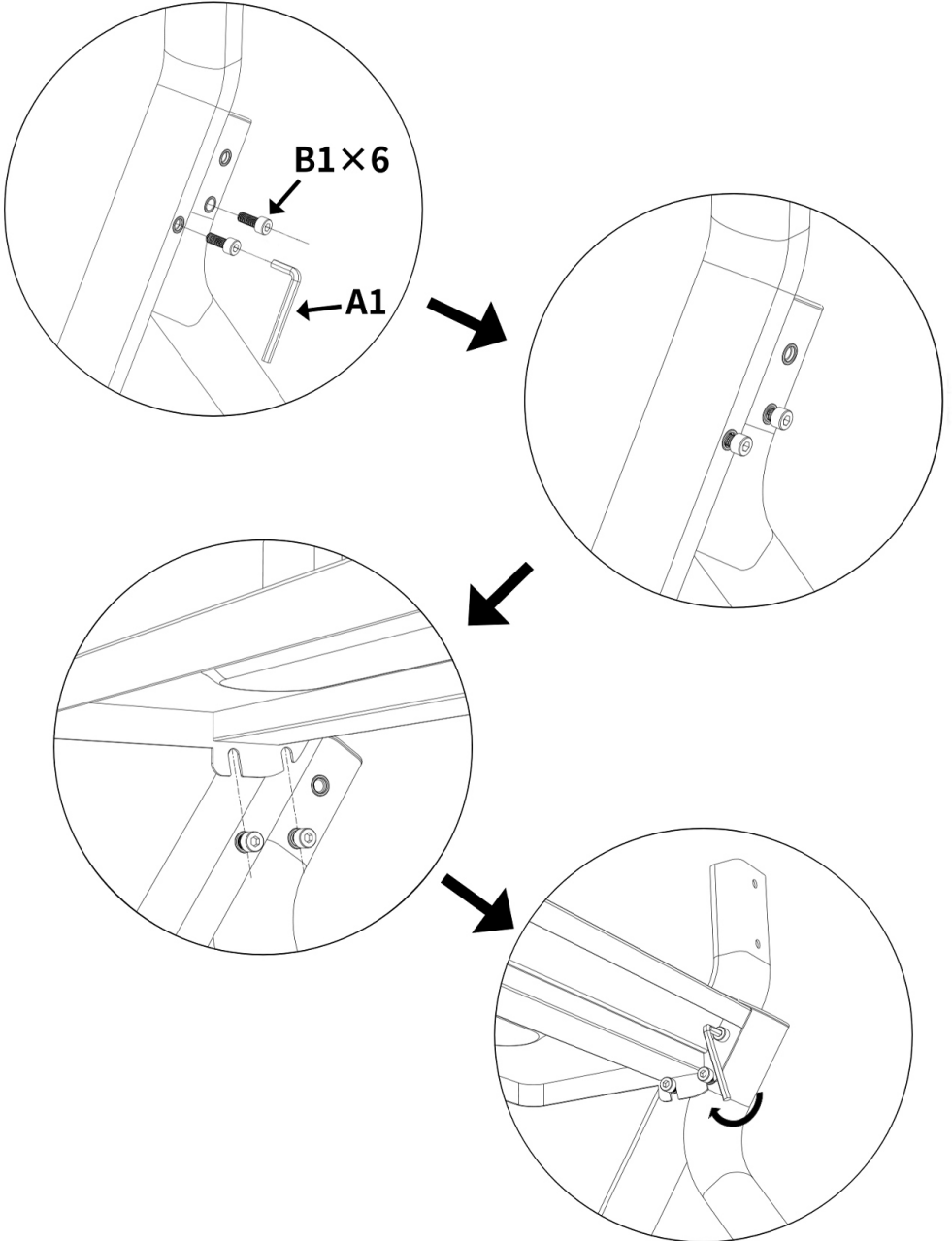
# 1. Wheel Installation



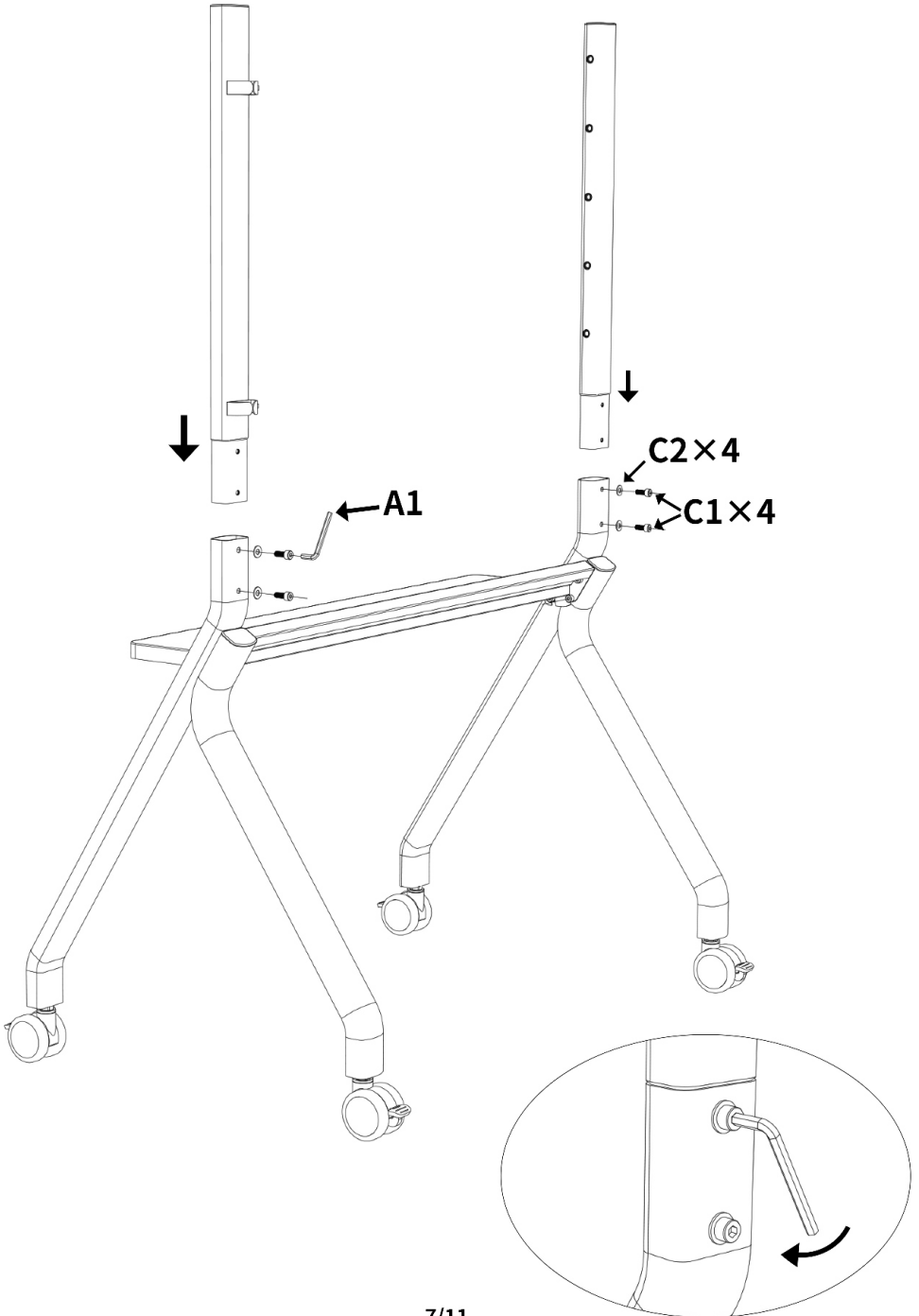
Use a wrench to secure each of the 4 wheels to the bottom of the tripod legs and tighten them firmly



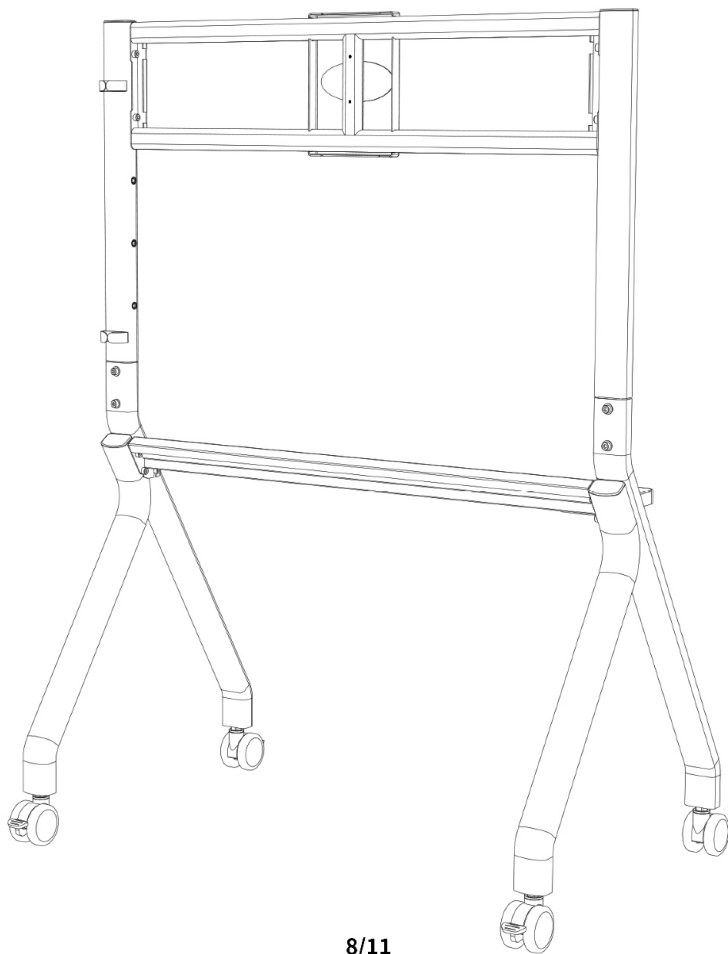
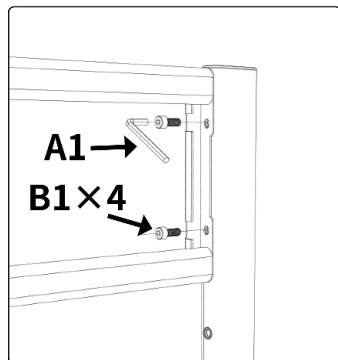
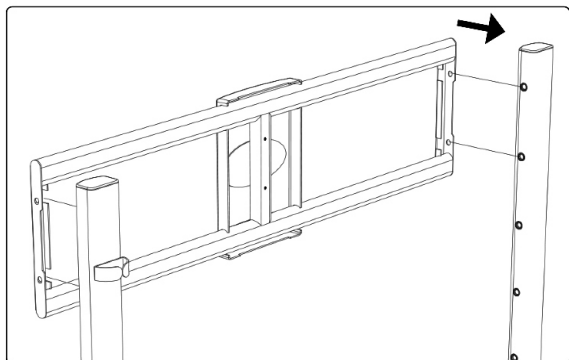
## 2. Tray Installation



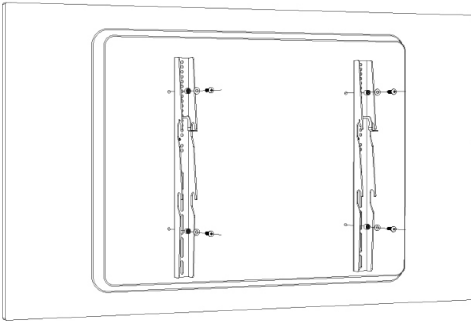
### 3. Column Installation



## 4. Mounting Plate Installation



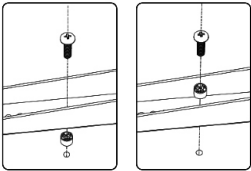
## 5. TV Mounting Hook Installation



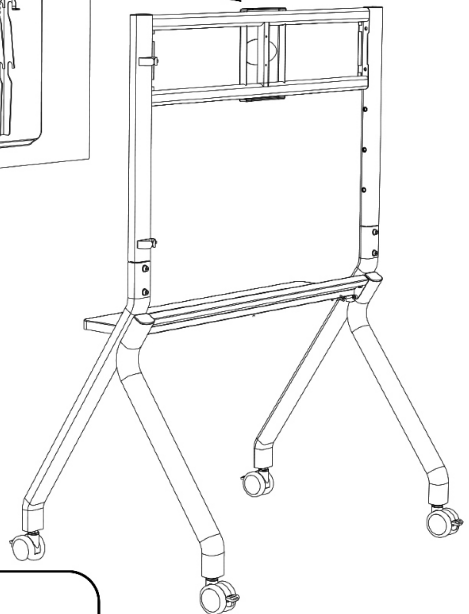
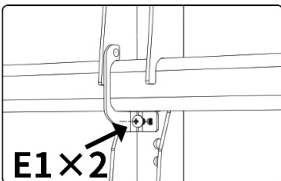
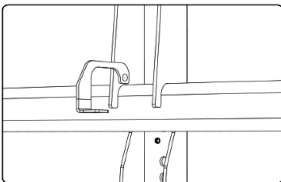
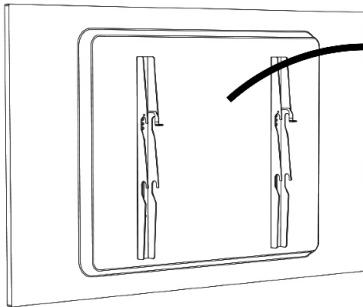
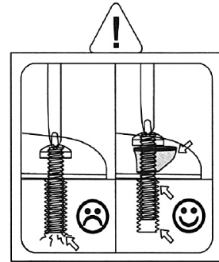
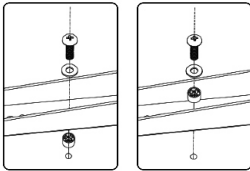
### Reminder:

When installing the TV, it is essential to use additional height spacers to avoid damaging your TV equipment due to excessively long screws during the locking process.

F1/F2 uses H1



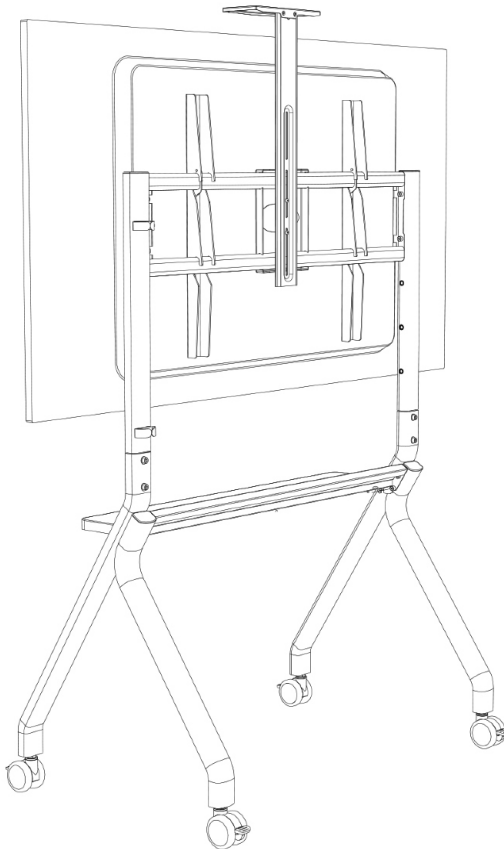
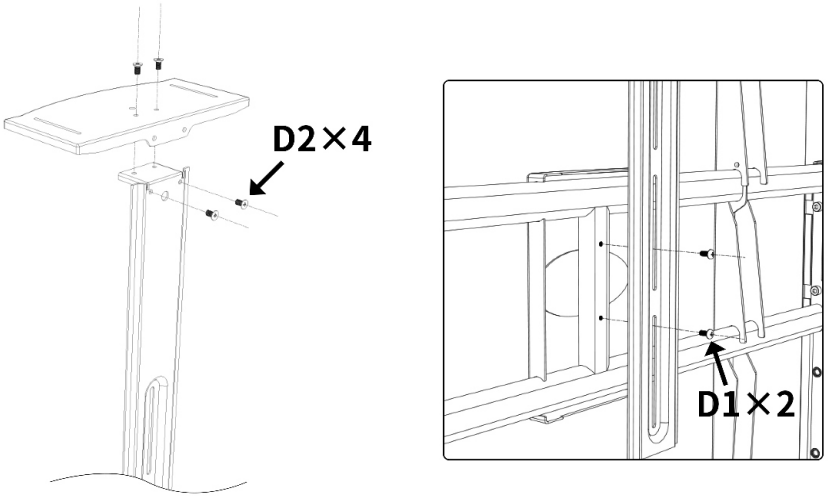
G1/G2 uses H1 and H2



### Warning:

Always make sure to lock the screws tightly!

## 6. Camera Component Installation



## 7. Product Technical Specifications

