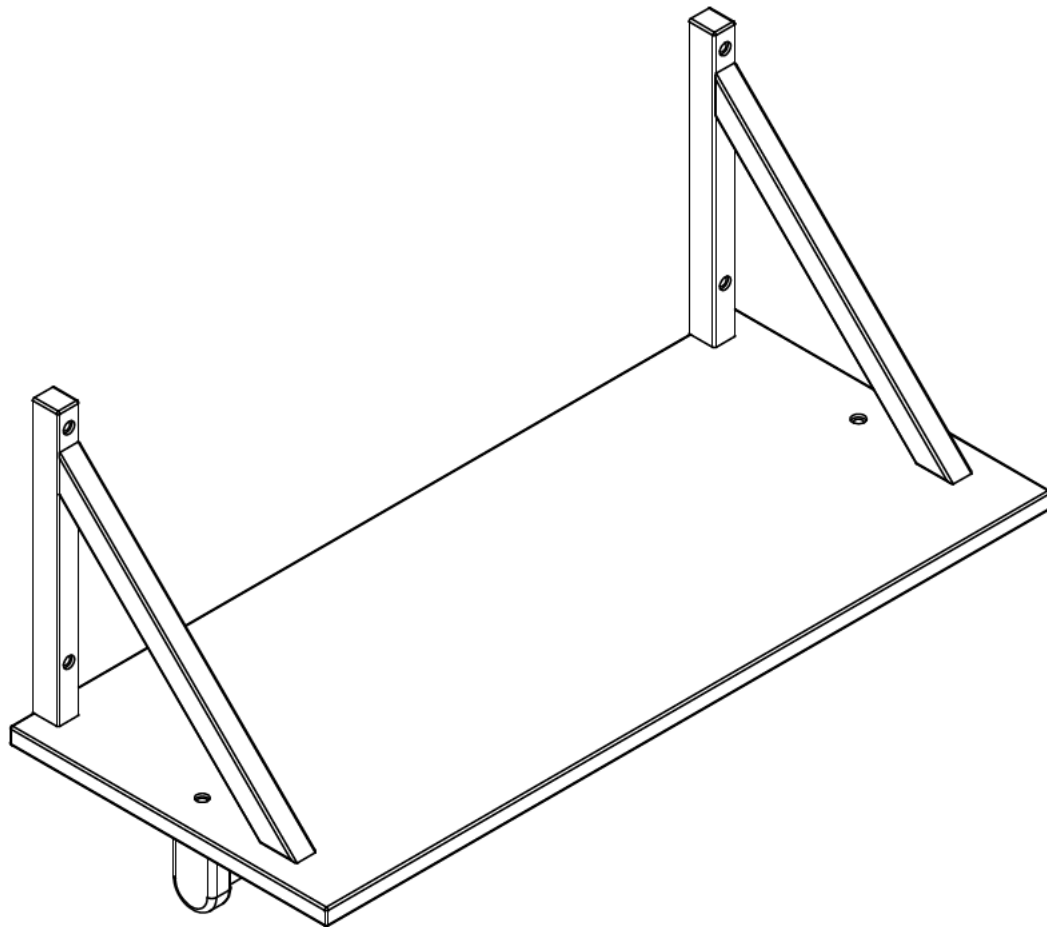


Maya Shelf

Instructions

Version: R1-0



IMPORTANT
KEEP FOR FUTURE REFERENCE



Safety Warnings

Thank you for choosing Obaby. This shelf conforms to BS EN 14749:2016. To ensure that your shelf is used in accordance with these instructions, please read them fully.

Your child's safety may be affected if you do not follow these instructions.

WARNING: Installation shall be carried out exactly according to the manufacturers instructions - otherwise a safety risk can occur if incorrectly installed.

WARNING: Assembly should be carried out by a competent adult only.

WARNING: Assess the suitability of the wall to ensure that the fastening devices will withstand the forces generated.

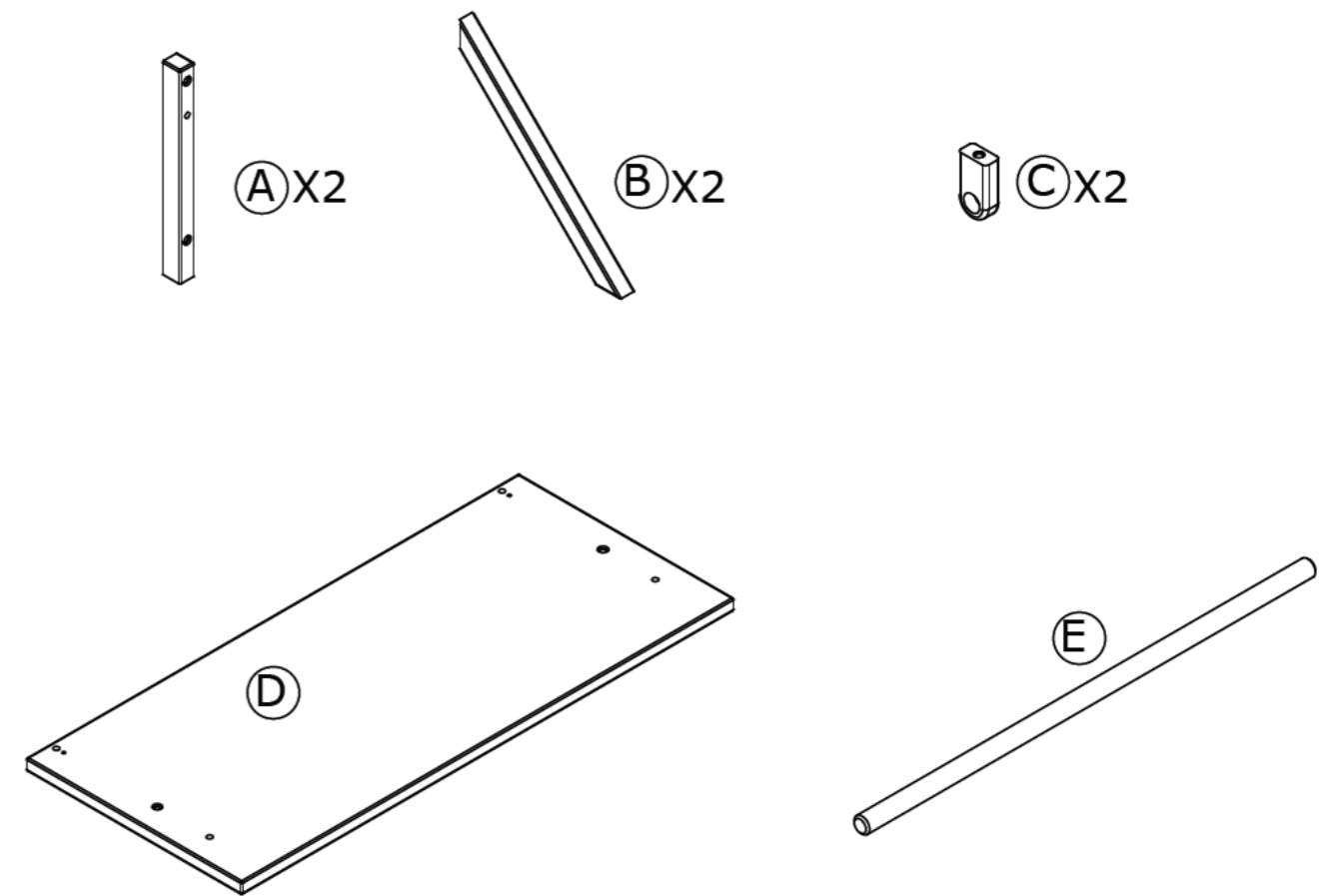
- Be aware of the risk of open fire and other sources of heat, such as electric bar fires, gas fires, etc. in the near vicinity of the shelf.
- Do not use the shelf if any part is broken or missing. Use only spare parts approved by the manufacturer.
- All assembly fittings should be tightened properly and care should be taken to ensure that no screws are loose.
- Regularly check that all fittings and components of the shelf are fully tightened and in working order.
- Wood is a natural material, the colour will darken with age.
- During assembly children should be kept away from the product due to possible risk of injury.

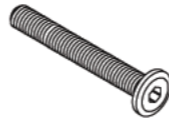
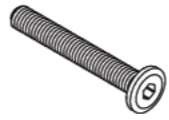
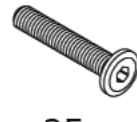


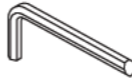
ROUTINE CARE & MAINTENANCE

- For cleaning, use only a mild detergent and warm water.
- DO NOT USE BLEACH.
- DO NOT USE any abrasive substances.
- Take care when handling or moving furniture, careless handling can damage wooden furniture.

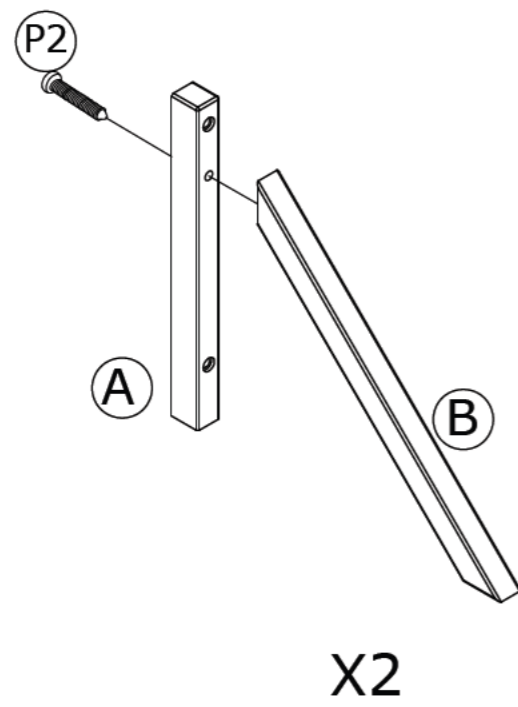
Due to constant updating and improvements, some components may occasionally differ slightly from the images shown in these instructions. We reserve the rights to change the specifications of any products without prior notice. If you need any assistance please contact your Obaby retailer from whom you purchased your product, who will take appropriate action.

Parts List

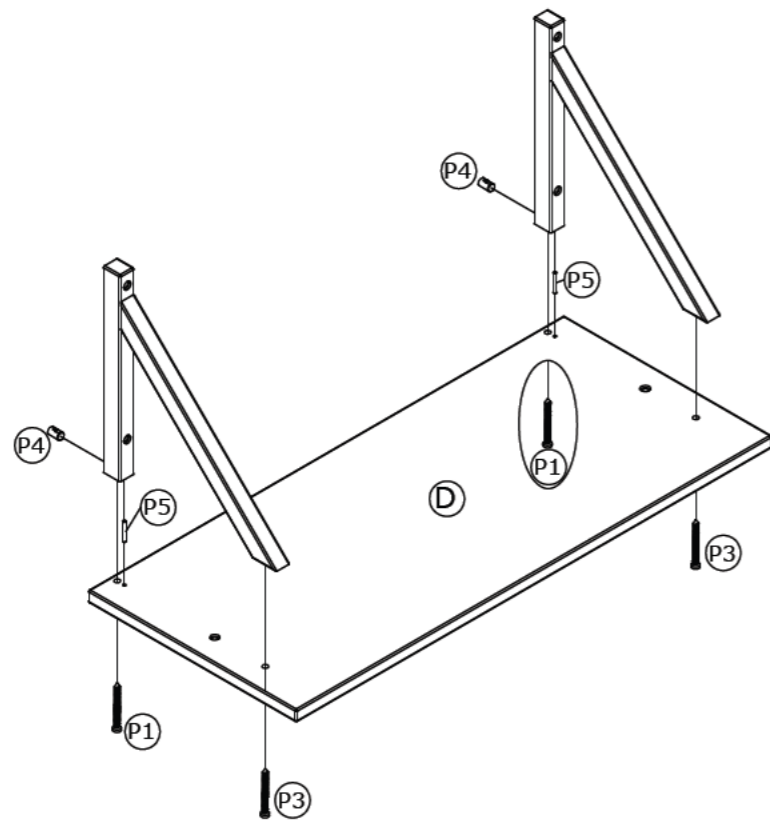


<p>P1</p>  <p>45mm</p> <p>x2</p>	<p>P2</p>  <p>35mm</p> <p>x2</p>	<p>P3</p>  <p>25mm</p> <p>x4</p>	<p>P4</p>  <p>x2</p>	<p>P5</p>  <p>x2</p>
<p>P6</p>  <p>x1</p>				

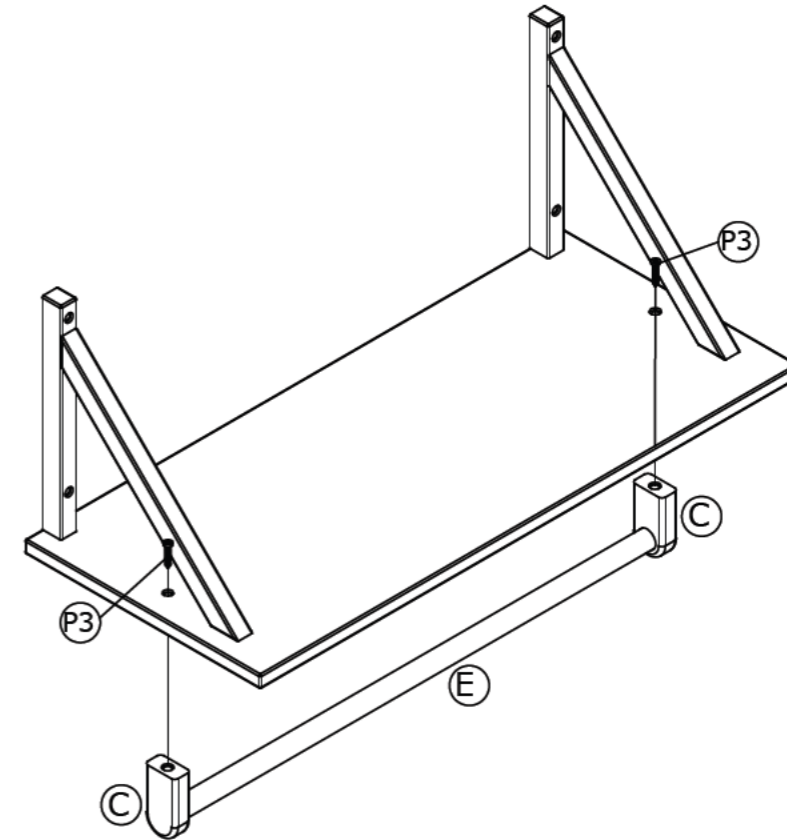
Stage 1



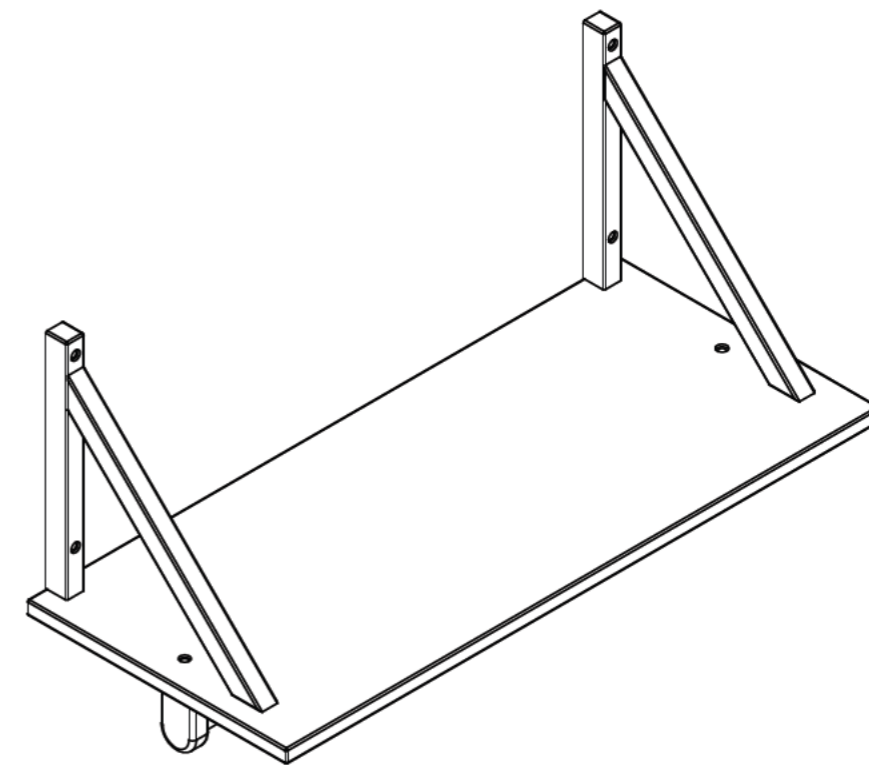
Stage 2

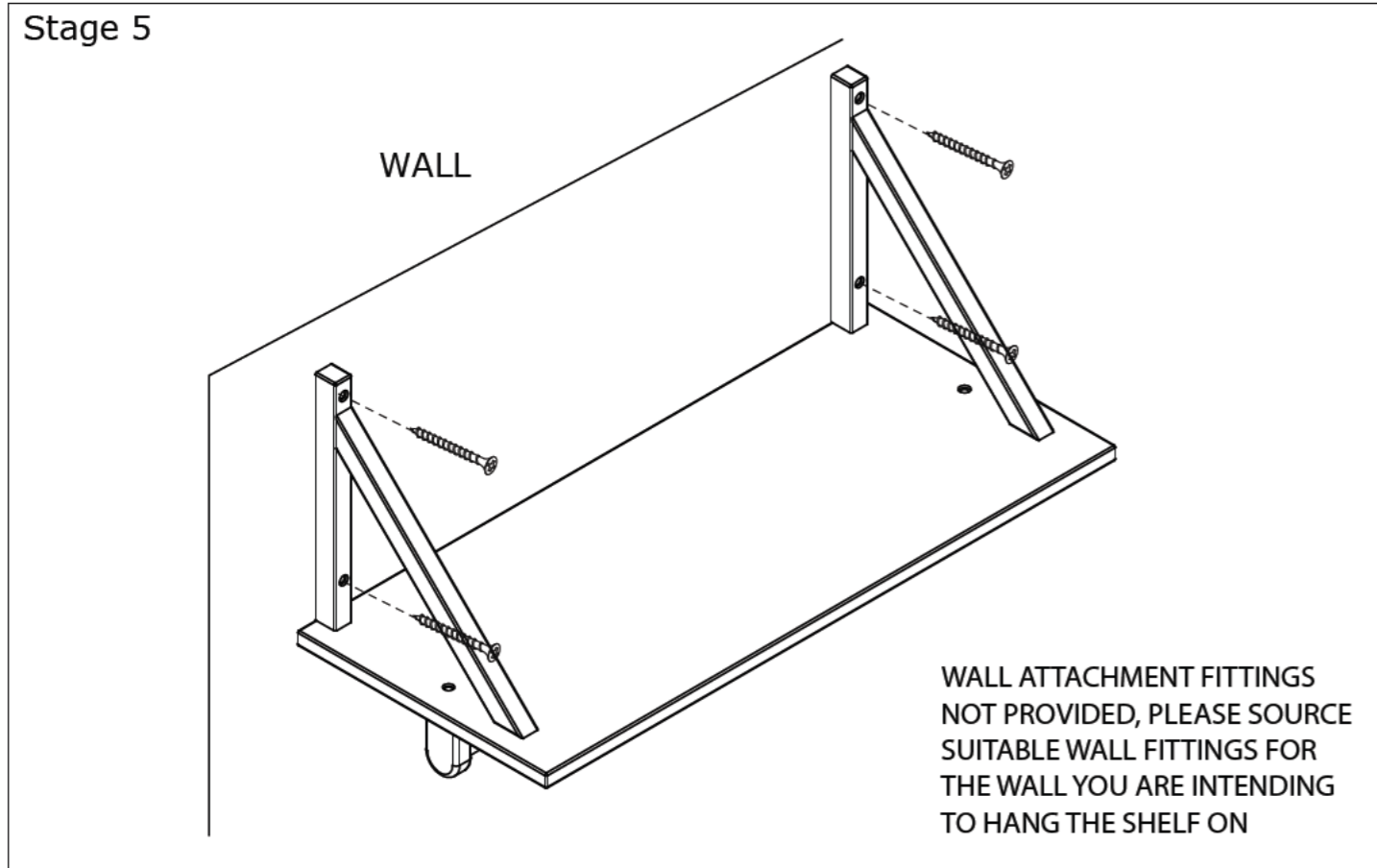


Stage 3



Stage 4





WARNING!

ASSESS THE SUITABILITY OF THE WALL TO ENSURE THAT THE FASTENING DEVICES WILL WITHSTAND THE FORCES GENERATED

Serious or fatal injuries can occur from the shelf becoming detached from the wall. To help prevent this:

- When hanging the Shelf all four hanging points must be used
- Never allow children to climb or hang on the shelf
- Place heaviest items in the lower shelf
- Ensure any items placed on the shelf are safe and unlikely to fall off

You are responsible for sourcing suitable fixings for your wall type. If in doubt, please consult a qualified tradesperson

Always ensure the wall to be drilled is free from hidden electrical wires, water and gas pipes.



obaby.co.uk

 OfficialObaby

 Obaby_UK

 obabyuk

 obabyuk

 officialobaby

