

ASSEMBLY INSTRUCTIONS



206361T (B1-B3) ***Twin Storage Bed***

REVISION 0 : 11/26/2019
REVISION 1 : 12/14/2023

PAGE 1 OF 6

COASTERFURNITURE.COM

ASSEMBLY INSTRUCTIONS

ASSEMBLY TIPS:

1. Remove hardware from box and sort by size.
2. Please check to see that all hardware and parts are present prior to start of assembly.
3. Please follow attached instructions in the same sequence as numbered to assure fast & easy assembly.



WARNING!

1. Don't attempt to repair or modify parts that are broken or defective. Please contact the store immediately.
2. This product is for home use only and not intended for commercial establishments.



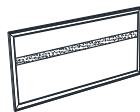
ASSEMBLY TIME

20 MINUTES

PARTS IDENTIFICATION

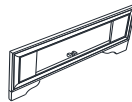
B1 (BOX 1)

A HEADBOARD PANEL



1PC

B FOOTBOARD



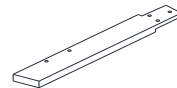
1PC

C RIGHT HEADBOARD LEG



1PC

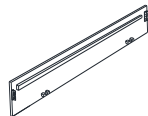
D LEFT HEADBOARD LEG



1PC

B2 (BOX 2)

E BED RAIL



2PCS

F CONCEAL PANEL



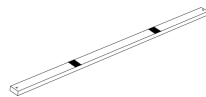
3PCS

G BED SLAT



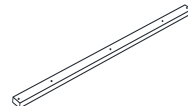
3PCS

G2 BED SLAT WITH STOPPER



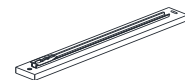
2PCS

H DRAWER BOTTOM TRESTLE BAR



1PC

I DRAWER SUPPORT RAIL



1PC

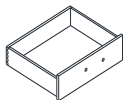
J DRAWER SUPPORT LEG WITH LEVELER



1PC

B3 (BOX 3)

K DRAWER BOX



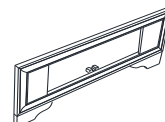
1PC

HB 206361T(B1) FROM BOX 1 HEADBOARD COMPLETE



1PC

B 206361T(B1) FROM BOX 1 FOOTBOARD



1PC

ASSEMBLY INSTRUCTIONS

ASSEMBLY TIPS:

1. Remove hardware from box and sort by size.
2. Please check to see that all hardware and parts are present prior to start of assembly.
3. Please follow attached instructions in the same sequence as numbered to assure fast & easy assembly.







WARNING!









1. Don't attempt to repair or modify parts that are broken or defective. Please contact the store immediately.
2. This product is for home use only and not intended for commercial establishments.

HARDWARE IDENTIFICATION

Z-B1 (BOX 1) - HARDWARE PACK IS LOCATED IN 206361T (B1)

1	BOLT (M6 x 30mm - BLK)		6PCS	3	FLAT WASHER (1/4"ID x 13mm - BLK)		6PCS
2	LOCK WASHER (1/4" - BLK)		6PCS	4	ALLEN WRENCH (M4 x 60mm - BLK)		1PC

Z-B2 (BOX 2) - HARDWARE PACK IS LOCATED IN 206361T (B2)

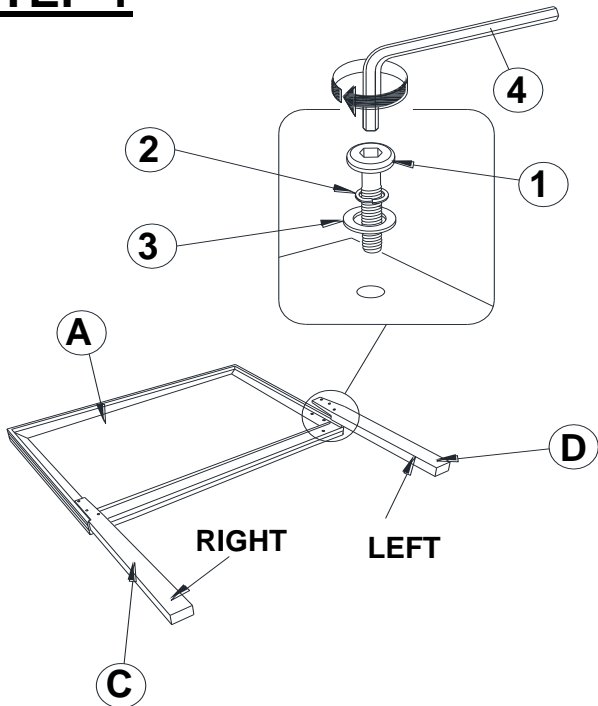
5	FLAT HEAD SCREW (M4 x 32mm - RBW)		13PCS	9	LOCK WASHER (1/4" - BLK)		1PC
6	PAN HEAD SCREW (M3.5 x 20mm - BLK)		15PCS	10	FLAT WASHER (1/4"ID x 13mm - BLK)		1PC
7	SHORT BOLT (M6 x 35mm - BLK)		1PC	11	SMALL ALLEN WRENCH (M4 x 60mm - BLK)		1PC
8	LONG BOLT (M6 x 50mm - BLK)		1PC	12	BIG ALLEN WRENCH (M5 x 65mm - BLK)		1PC

NOTE:

Phillips head screw driver is required in the assembly process; however, manufacturer does not provide this item.

ASSEMBLY INSTRUCTIONS

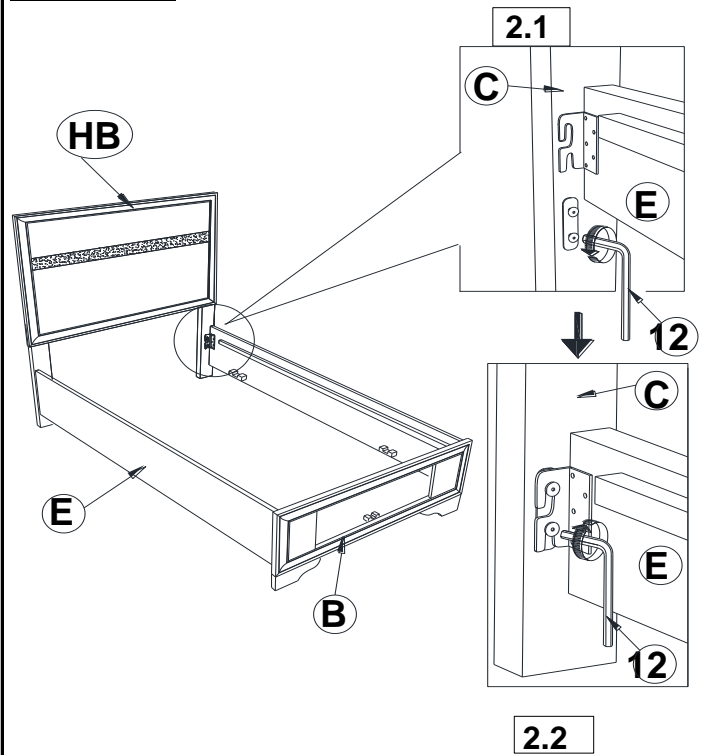
STEP 1



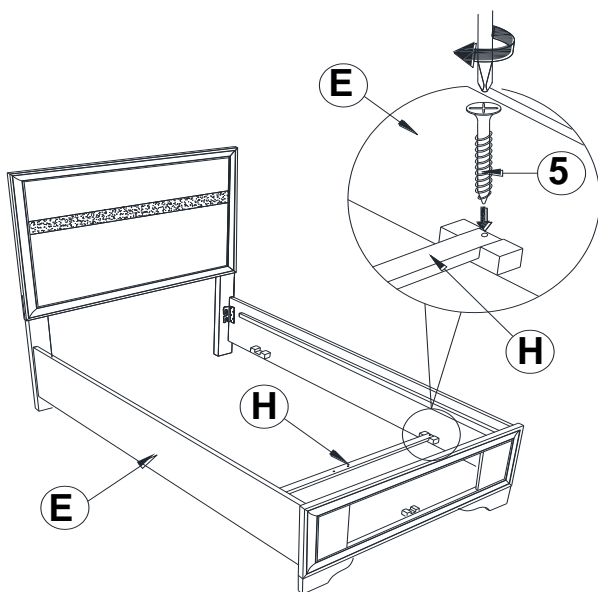
****BACK VIEW****

Note : Please take note of the marking sticker (L&R) on the leg.

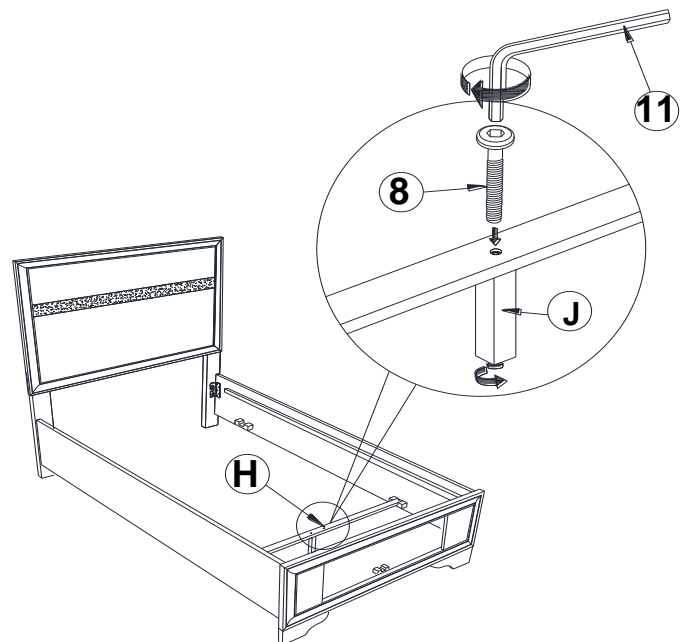
STEP 2



STEP 3

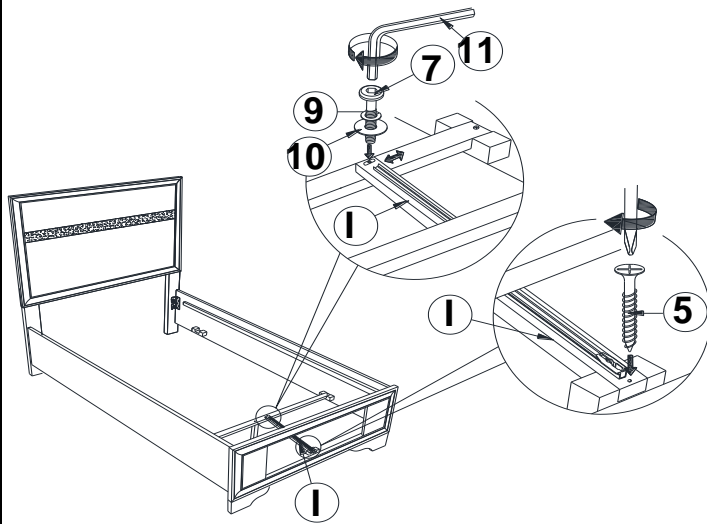


STEP 4

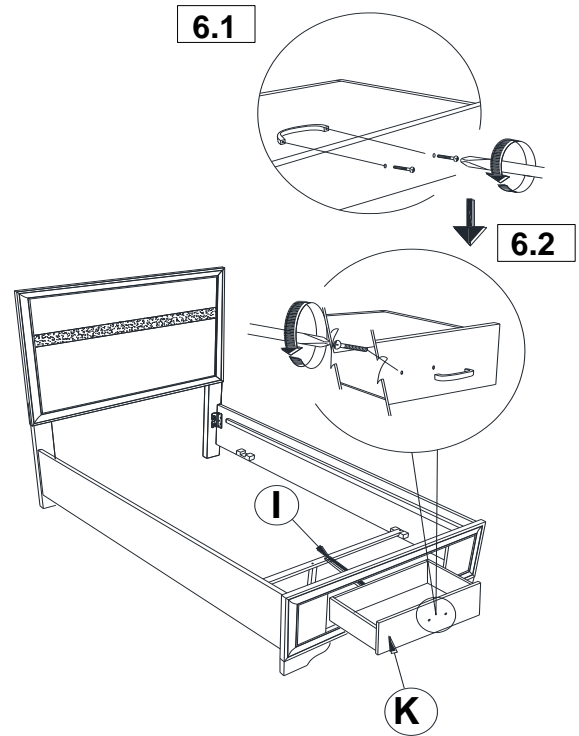


ASSEMBLY INSTRUCTIONS

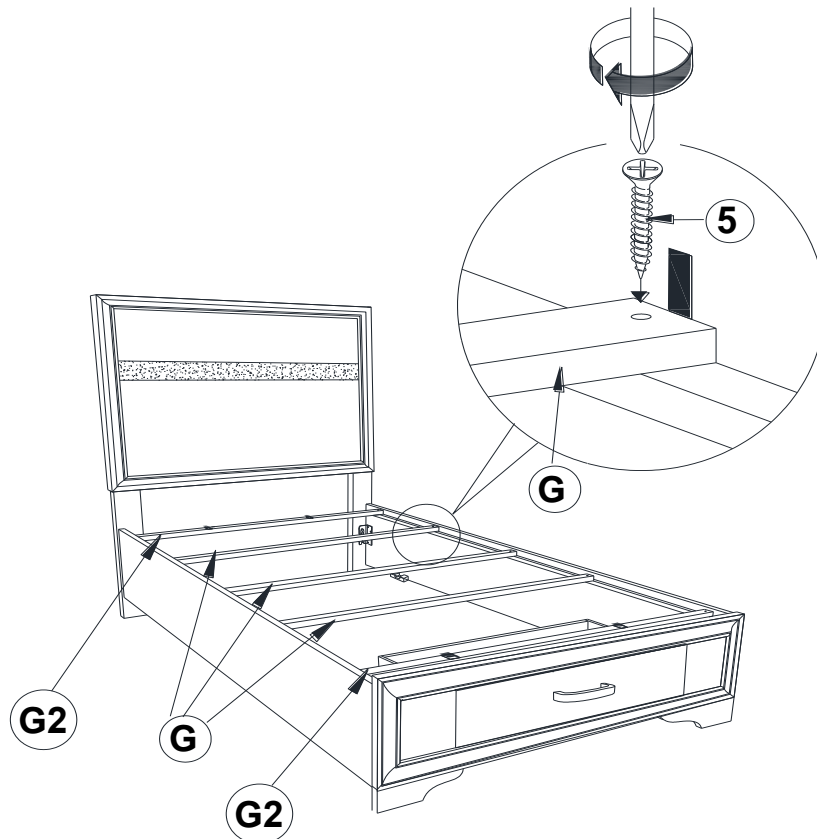
STEP 5



STEP 6

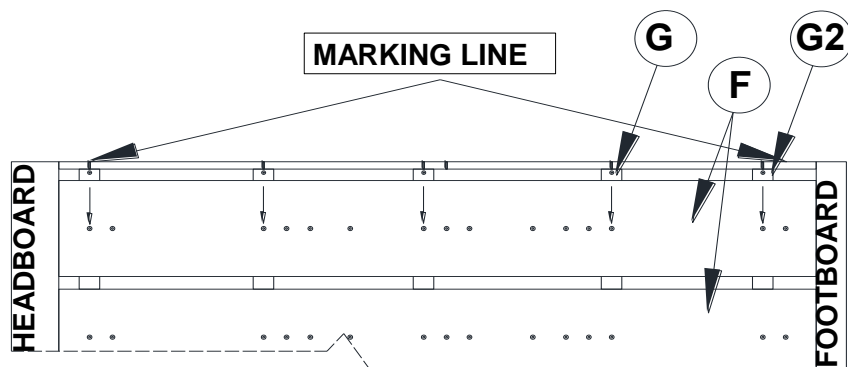


STEP 7

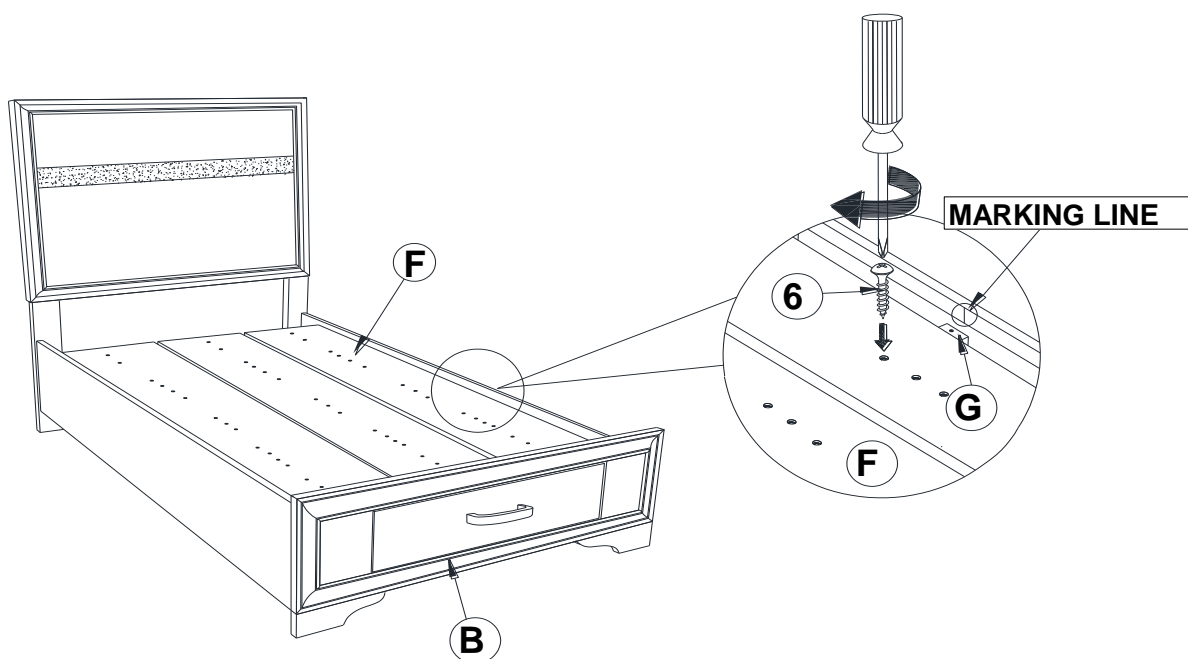


ASSEMBLY INSTRUCTIONS

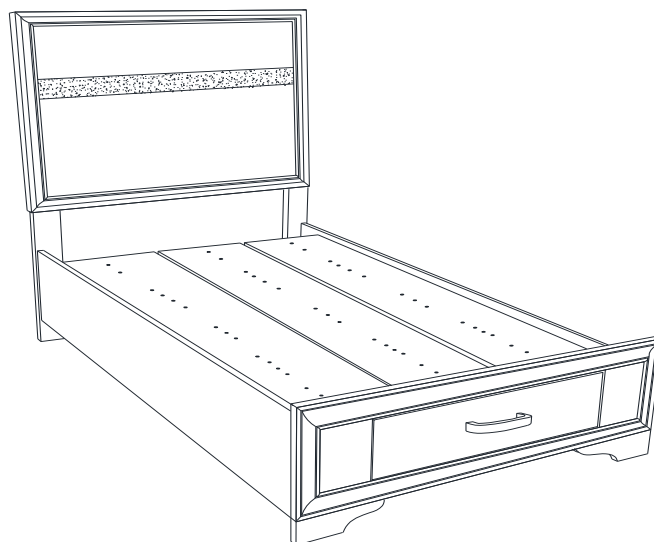
STEP 8



TIGHTEN THE PANHEAD SCREW (6) BY FOLLOW THE ARROW AS SHOWN

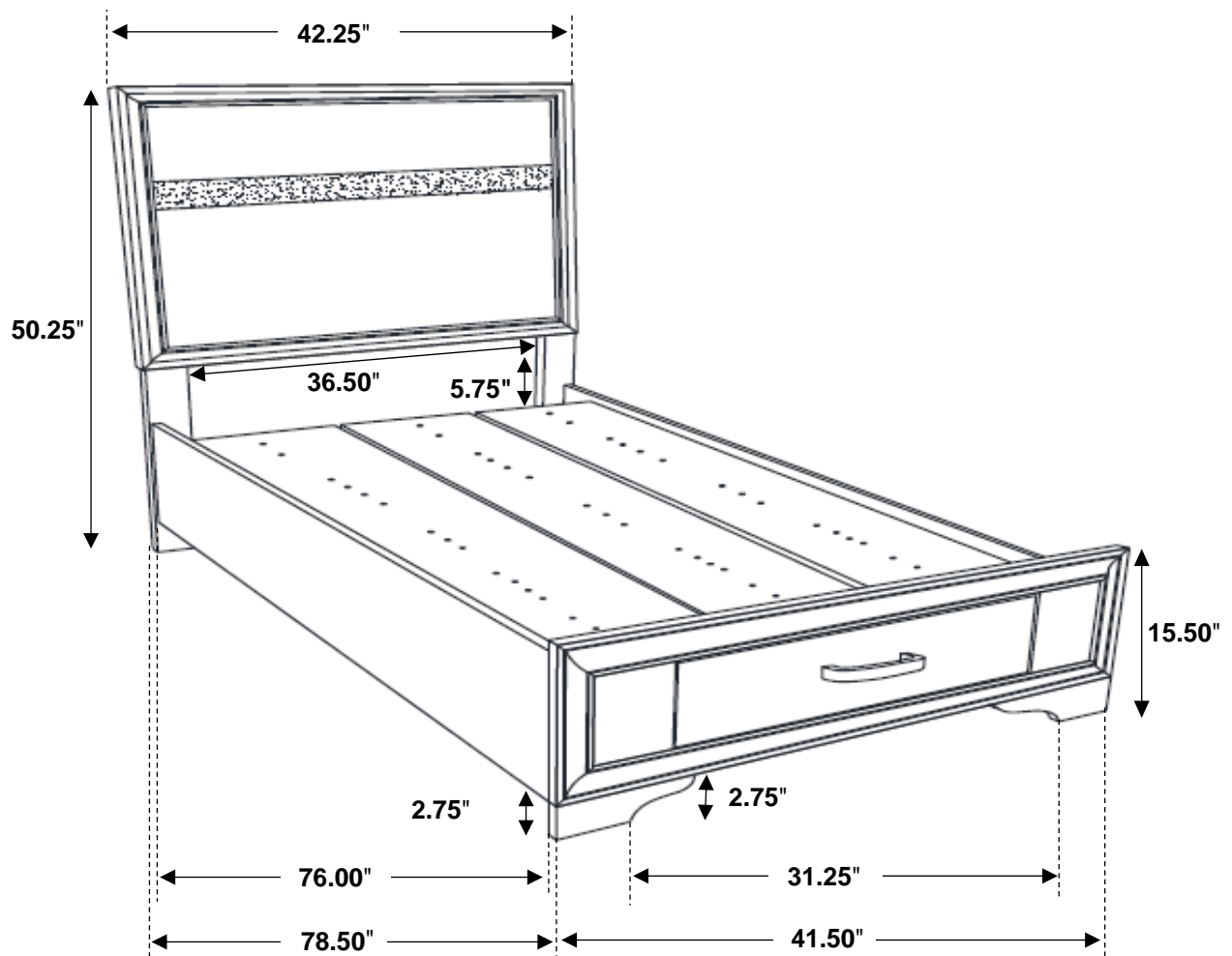


STEP 9 COMPLETE



Inner Size: 54.50"W X 76.00"D

Inner Size of Drawer: 20.00"W X 15.00"D X 4.00"H X 0.25"T



Note: Dimension tolerance $\pm 5\%$

ASSEMBLY INSTRUCTIONS



206362
Nightstand

REVISION 0 : 05/23/2017
REVISION 1 : 06/15/2017
REVISION 2 : 09/07/2018
REVISION 3 : 10/25/2019

PAGE 1 OF 2

COASTERFURNITURE.COM

ASSEMBLY INSTRUCTIONS

ASSEMBLY TIPS:

1. Remove hardware from box and sort by size.
2. Please check to see that all hardware and parts are present prior to start of assembly.
3. Please follow attached instructions in the same sequence as numbered to assure fast & easy assembly.



WARNING!

1. Don't attempt to repair or modify parts that are broken or defective. Please contact the store immediately.
2. This product is for home use only and not intended for commercial establishments.

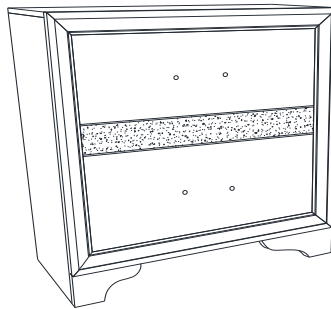


ASSEMBLY TIME

5 MINUTES

PARTS IDENTIFICATION

A NIGHTSTAND

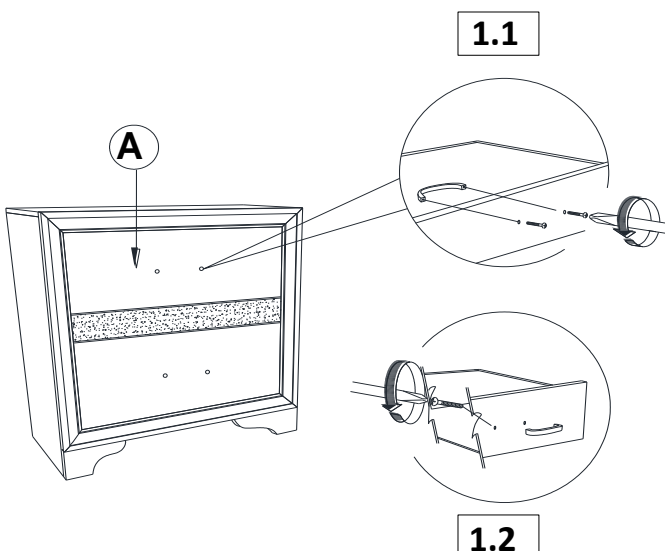


1PC

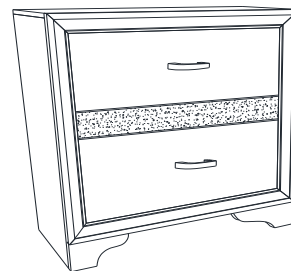
NOTE:

Phillips head screw driver is required in the assembly process; however, manufacturer does not provide this item.

STEP 1



STEP 2 **COMPLETE**



ASSEMBLY INSTRUCTIONS



206363
Dresser

REVISION 0 : 05/23/2017
REVISION 1 : 06/15/2017
REVISION 2 : 09/07/2018
REVISION 3 : 10/25/2019

PAGE 1 OF 2

COASTERFURNITURE.COM

ASSEMBLY INSTRUCTIONS

ASSEMBLY TIPS:

1. Remove hardware from box and sort by size.
2. Please check to see that all hardware and parts are present prior to start of assembly.
3. Please follow attached instructions in the same sequence as numbered to assure fast & easy assembly.



WARNING!

1. Don't attempt to repair or modify parts that are broken or defective. Please contact the store immediately.
2. This product is for home use only and not intended for commercial establishments.

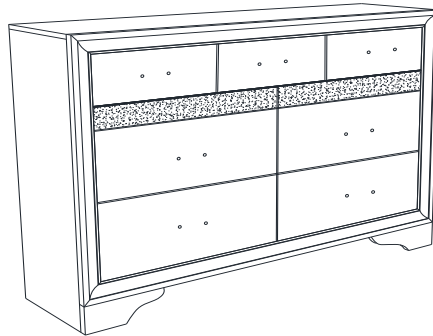


ASSEMBLY TIME

5 MINUTES

PARTS IDENTIFICATION

A DRESSER

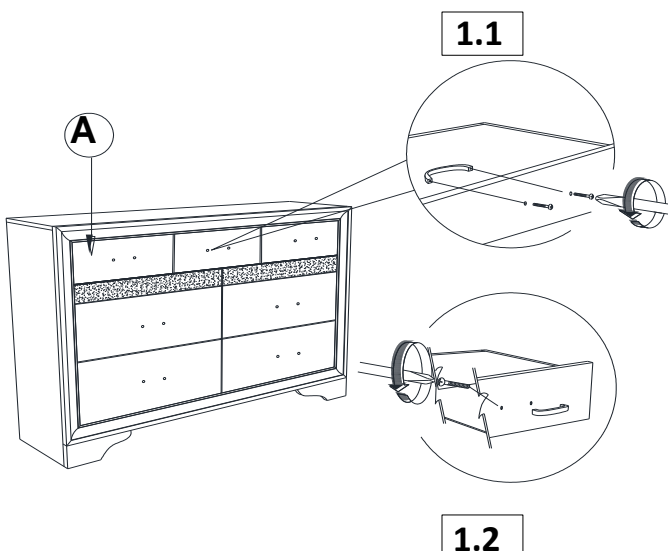


1PC

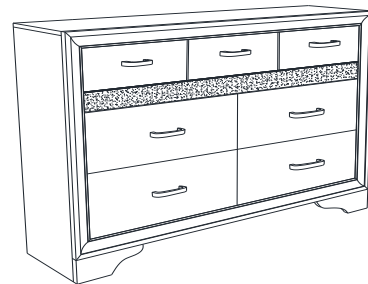
NOTE:

Phillips head screw driver is required in the assembly process; however, manufacturer does not provide this item.

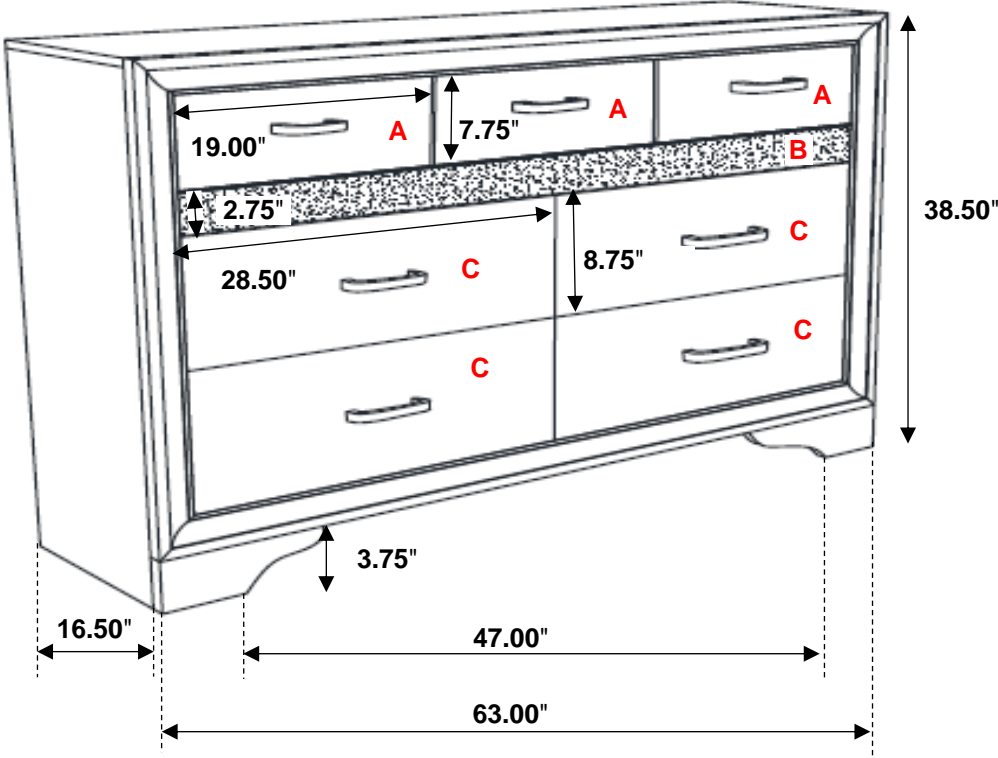
STEP 1



STEP 2 COMPLETE



Inner Size of Drawer A: 17.00"W X 12.50"D X 5.00"H X 0.25"T
Inner Size of Drawer B: 26.00"W X 12.50"D X 1.25"H X 0.25"T
Inner Size of Drawer C: 26.75" W X 12.50"D X 6.00"H X 0.25"T



Note: Dimension tolerance $\pm 5\%$

ASSEMBLY INSTRUCTIONS



206364
Mirror

REVISION 0 : 05/23/2017
REVISION 1 : 09/07/2018
REVISION 2 : 12/06/2018
REVISION 3 : 10/25/2019
REVISION 4 : 08/25/2023

PAGE 1 OF 4

COASTERFURNITURE.COM

ASSEMBLY INSTRUCTIONS

ASSEMBLY TIPS:

1. Remove hardware from box and sort by size.
2. Please check to see that all hardware and parts are present prior to start of assembly.
3. Please follow attached instructions in the same sequence as numbered to assure fast & easy assembly.



WARNING!

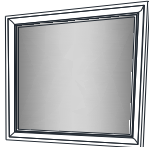
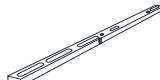

1. Don't attempt to repair or modify parts that are broken or defective. Please contact the store immediately.
2. This product is for home use only and not intended for commercial establishments.








ASSEMBLY TIME

10 MINUTES

PARTS IDENTIFICATION

A	MIRROR		1PC	C	MIRROR SUPPORT (PACKED WITH MIRROR)		2PCS
B	DRESSER FROM BOX ITEM #206363		1PC				

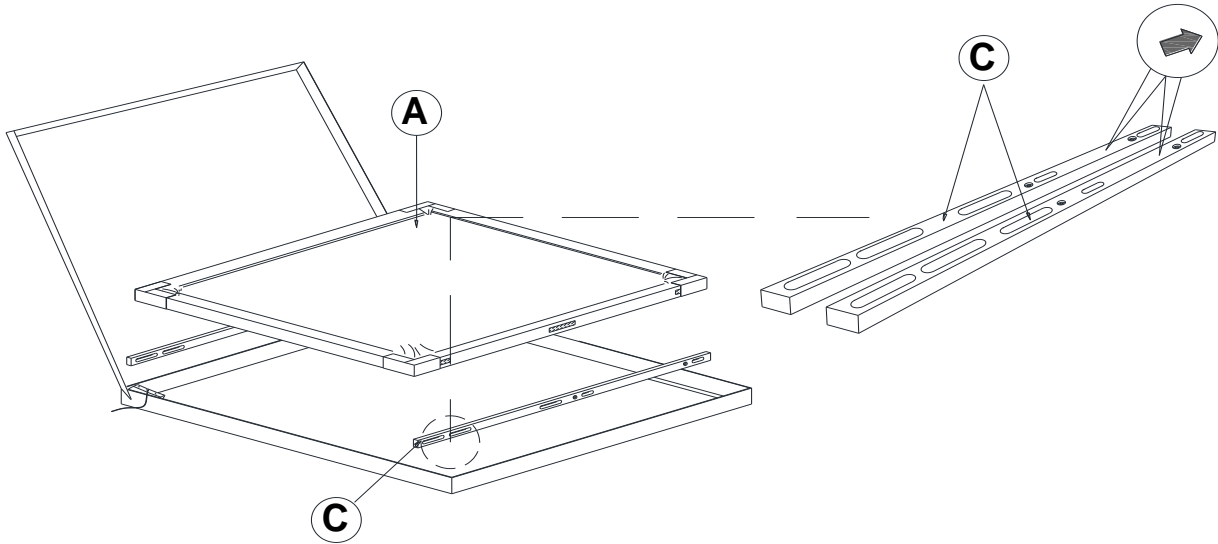
HARDWARE IDENTIFICATION

1	SHORT BOLT (M6 x 35mm - BLK)		4PCS	4	FLAT WASHER (1/4" ID x 19mm - BLK)		8PCS
2	LONG BOLT (M6 x 40mm - BLK)		4PCS	5	ALLEN WRENCH (M4 x 60MM - BLK)		1PC
3	LOCK WASHER (1/4" - BLK)		8PCS				

ASSEMBLY INSTRUCTIONS

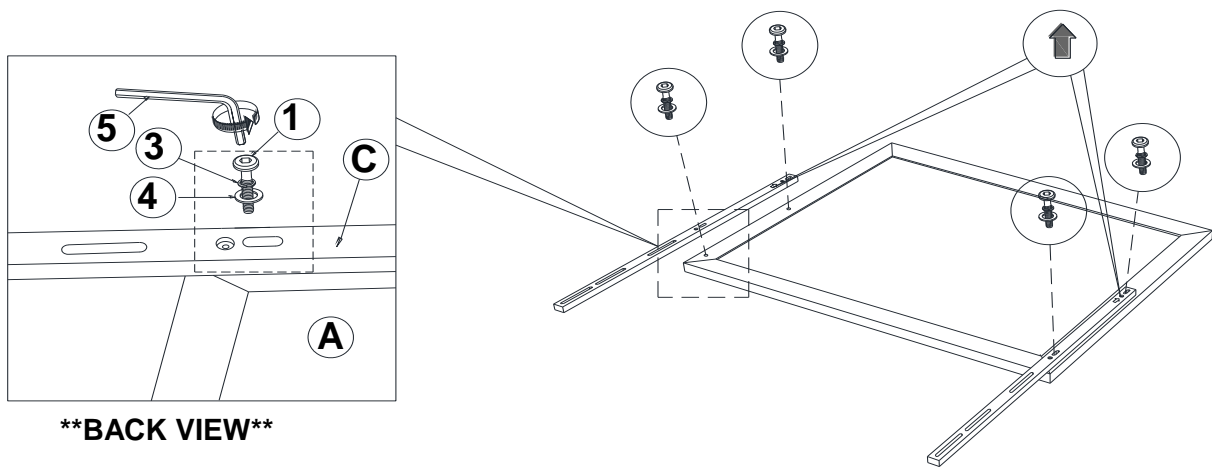
STEP 1

ARROW MARKING FACE UPWARD



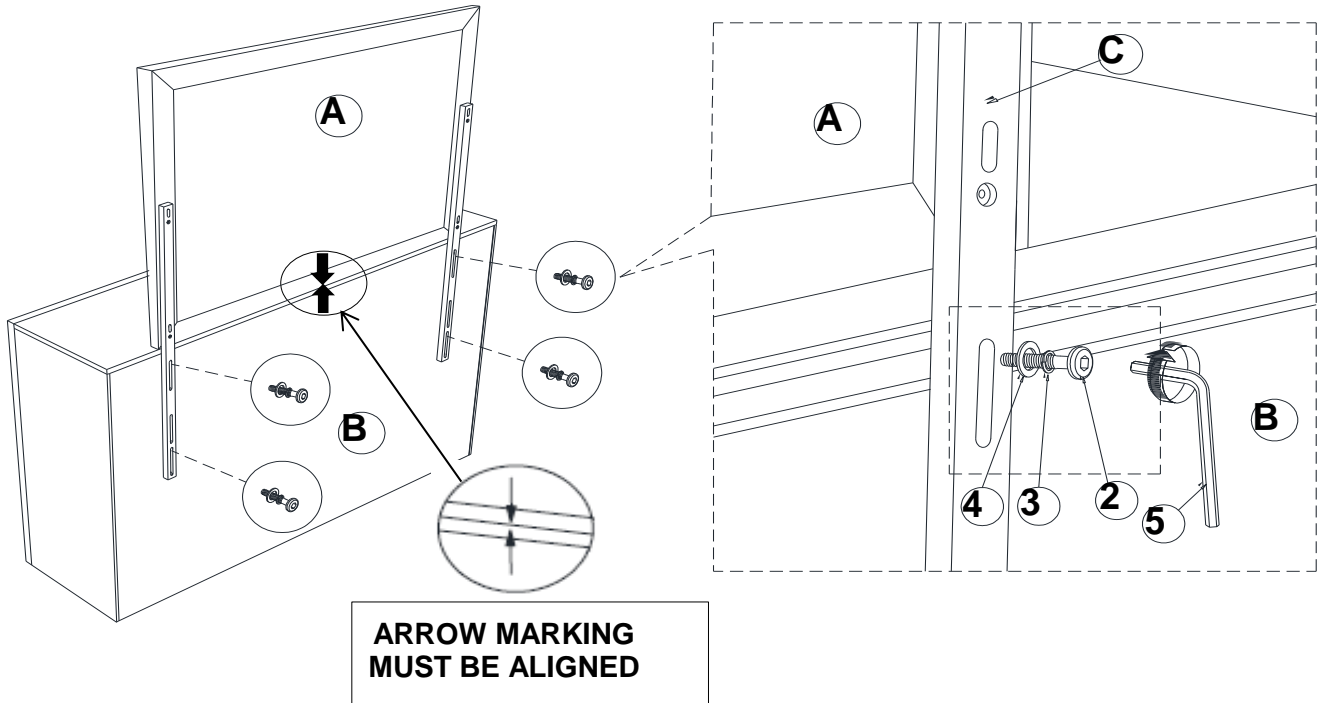
STEP 2

ARROW MARKING FACE UPWARD



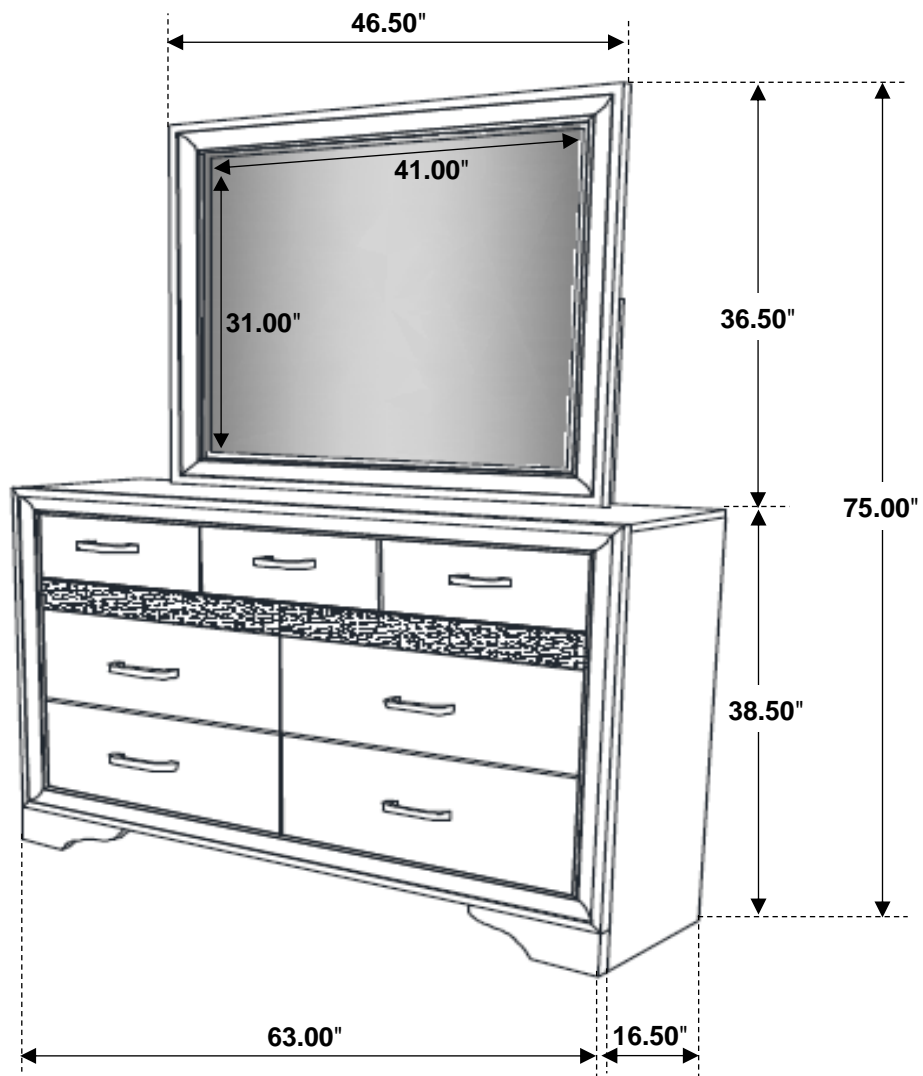
ASSEMBLY INSTRUCTIONS

STEP 3



STEP 4 COMPLETE





Note: Dimension tolerance $\pm 5\%$