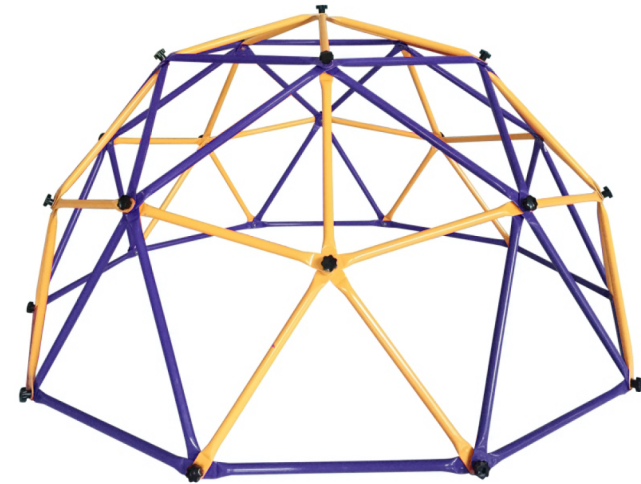


# User Manual

**Nyeekoy**



Model Number: TH17F0484

**Nyeekoy**

**! \*\* IMPORTANT SAFETY INFORMATION \*\***

PLEASE READ BEFORE ASSEMBLY:

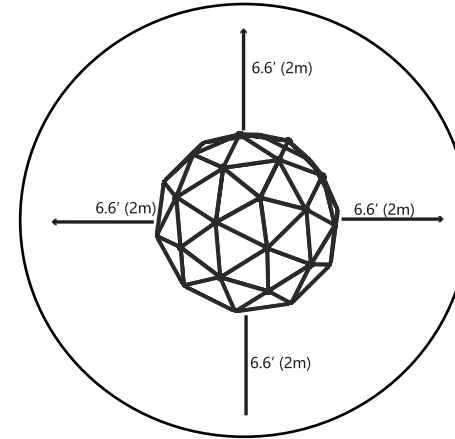
**INSTALLATION & GROUND PREPARATION INSTRUCTIONS**

- Before starting assembly, read the instructions and use the identifiers and the lists in this document.
- Complete assembly, correct use method, and proper supervision are critical to reducing and preventing the risk of accidents or injuries. Proper installation, maintenance, and operation of the product are essential to reduce the risk of serious injury. Failure to comply with these requirements may result in a higher probability of accidents.
- Please note that overtightening the screws may damage the parts.
- To ensure proper installation, place the equipment on a level and well-drained surface that is at least 6.6 ft away from any structures. If using rubber tiles or poured-in-place surfaces (not loose fill material), install gradually.
- To ensure the safe use of the equipment, provide sufficient space for children to play and avoid installing home playground equipment on hard surfaces such as concrete, asphalt, packed earth, or grass. Falls onto hard surfaces can cause serious injuries to equipment users.
- To prevent serious injury, warn children that can not use the equipment until it is properly installed.

**OPERATING INSTRUCTIONS**

To reduce the likelihood of serious or fatal injury, please read the following these instructions and warnings carefully:

- The maximum number of occupants who can safely use the entire playset is four with a maximum weight of 375 pounds ( 170kg ).
- On-site adult supervision is required for children of all ages.
- Ask children not to use the equipment in any other unmentioned ways.
- To avoid entanglement and strangulation accidents while using equipment, dress children properly in well-fitting shoes and avoid clothing such as ponchos, scarves, jackets with neck drawstrings, and helmets with straps that can pose a hazard.
- Do not move the equipment while it is in use.
- Place the equipment no less than 6.6 ft. ( 2.0m ) from any structure or obstruction such as a fence.



**MAINTENANCE INSTRUCTIONS**








When you start using it in the early stage, you need to do some routine checks every time:

1. Tighten the screws.
2. Lubricate all metal moving parts.

**BEFORE ASSEMBLY:**

- Prepare a level surface with the proper Safety Zone.
- 2-3 people are recommended for setup.

**Hardware List**

 835mm A   30PCS	 945mm B   35PCS	 G   26PCS	 M8*35mm c   10PCS
 M8*40mm d   16PCS	 M8*18*1.5mm e   52PCS	 f   1PC	

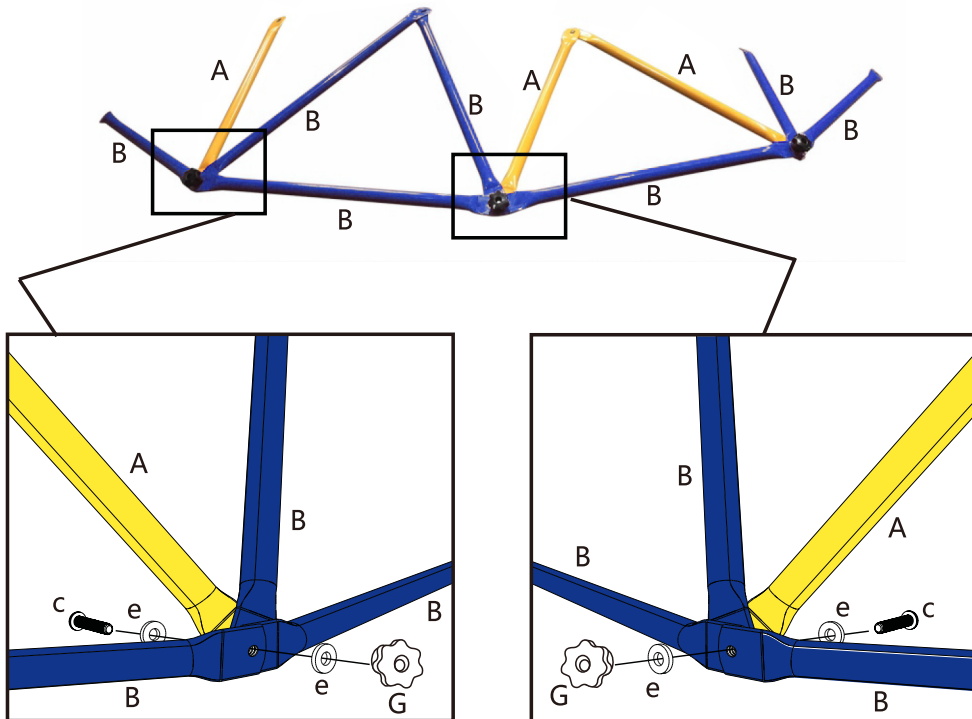
PRODUCT ASSEMBLY

**!** Check the package contents before getting started !

**STEP 1**






				
A   3PCS	B   7PCS	G   3PCS	c   3PCS	e   6PCS

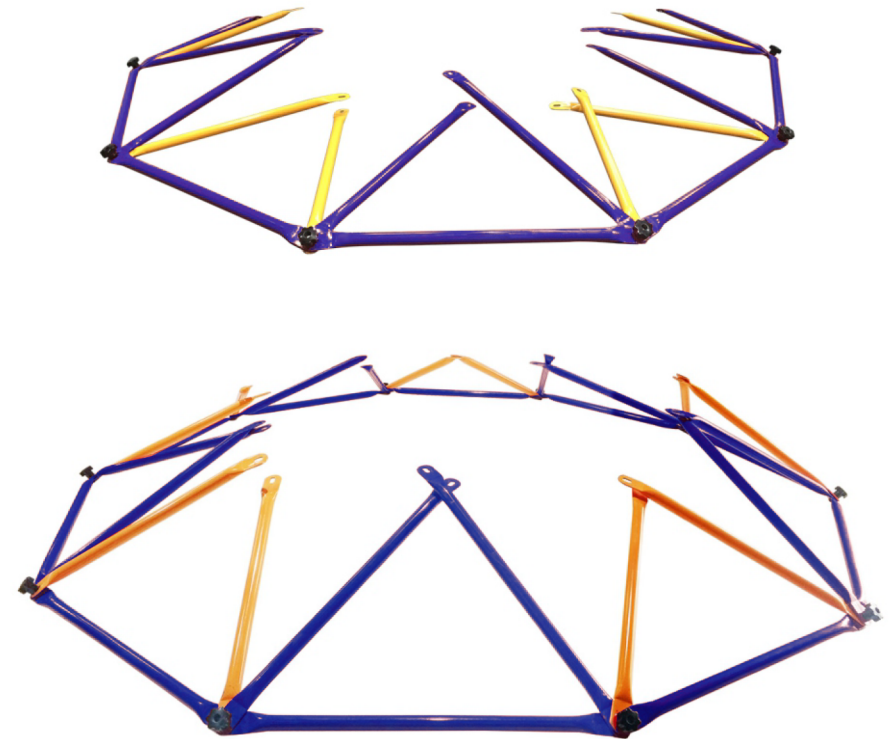
• Build the bottom frame, first B\*3, A\*1 is a joint. Then extend on the basis of B, add 2\*B, 1\*A is connected into a new joint (the bottom one is B blue steel pipe), This type of push forms a blue triangle with 5 blue at the bottom and five circles with a yellow triangle ( pictured ). 10 joints and one bottom frame as shown in the picture (screws can be tightened first, and then tighten one by one after completion).



PRODUCT ASSEMBLY

**STEP 2**

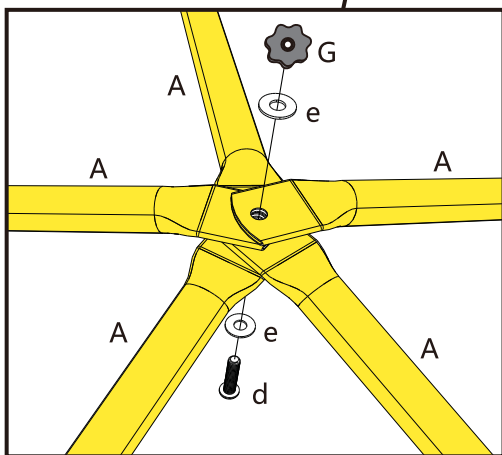
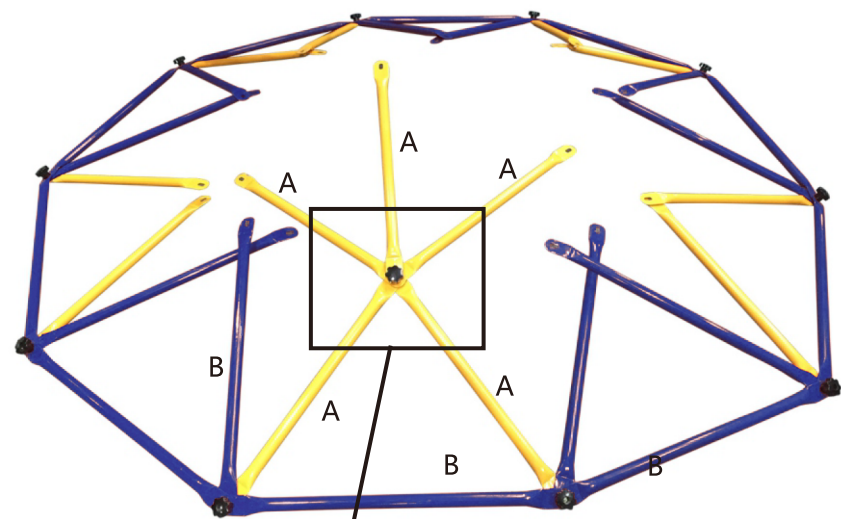
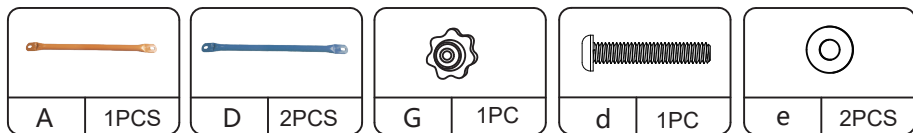
				
A   7PCS	B   13PCS	G   7PCS	c   7PCS	e   14PCS



• Follow the form step to build the frame until the complete bottom frame is built ( as shown in the picture ).

PRODUCT ASSEMBLY

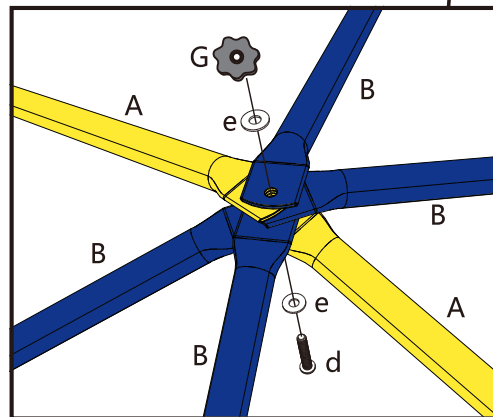
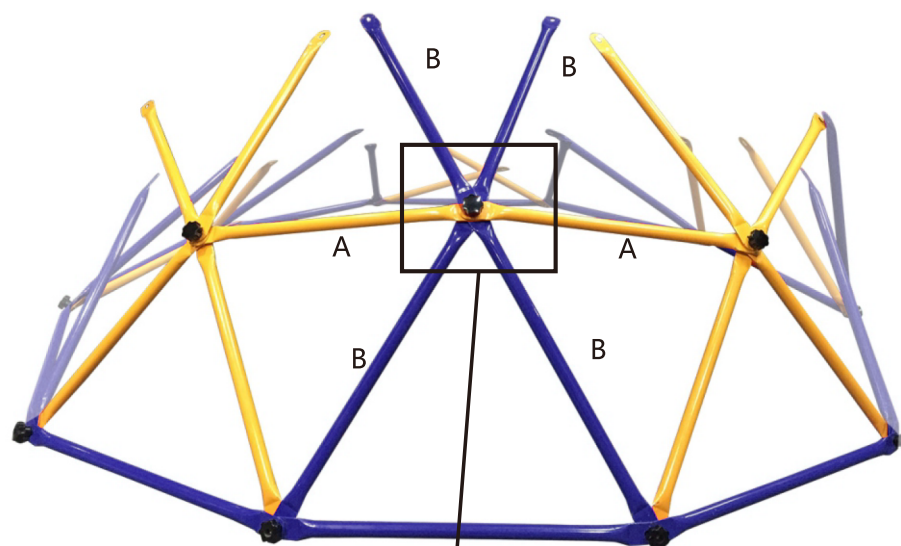
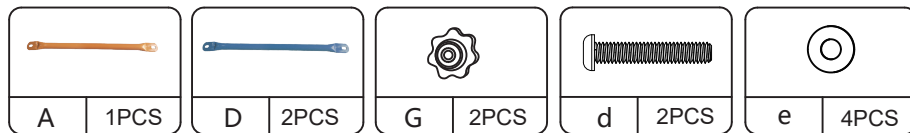
STEP 3



• Add A\*3 to the two yellow tubes as shown.

PRODUCT ASSEMBLY




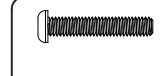
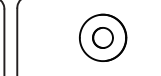
STEP 4

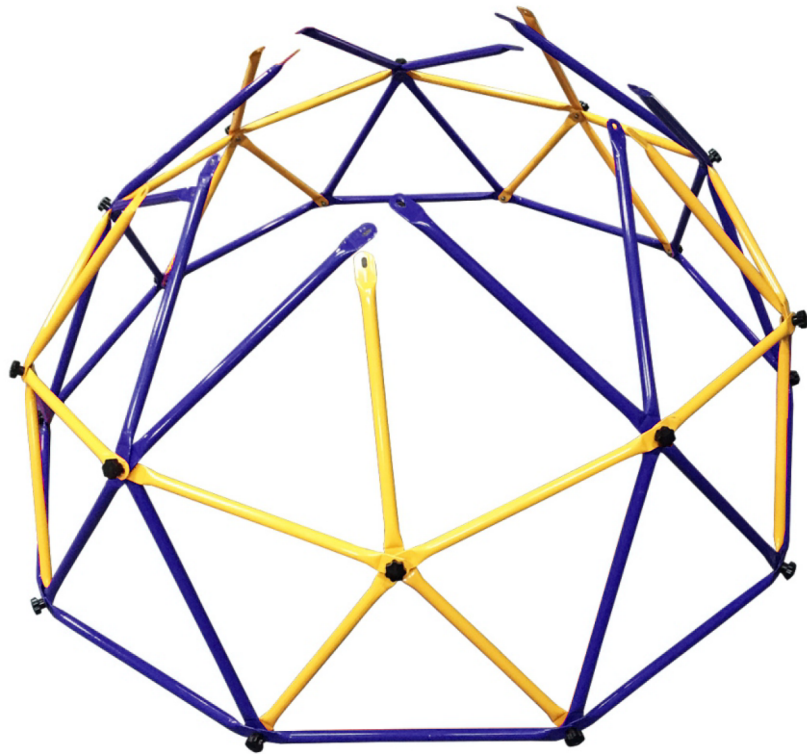


• Add B\*2, A\*1 to the two blue tubes as shown.

PRODUCT ASSEMBLY

STEP 5





				
A 3PCS	B 8PCS	G 7PCS	d 7PCS	e 14PCS

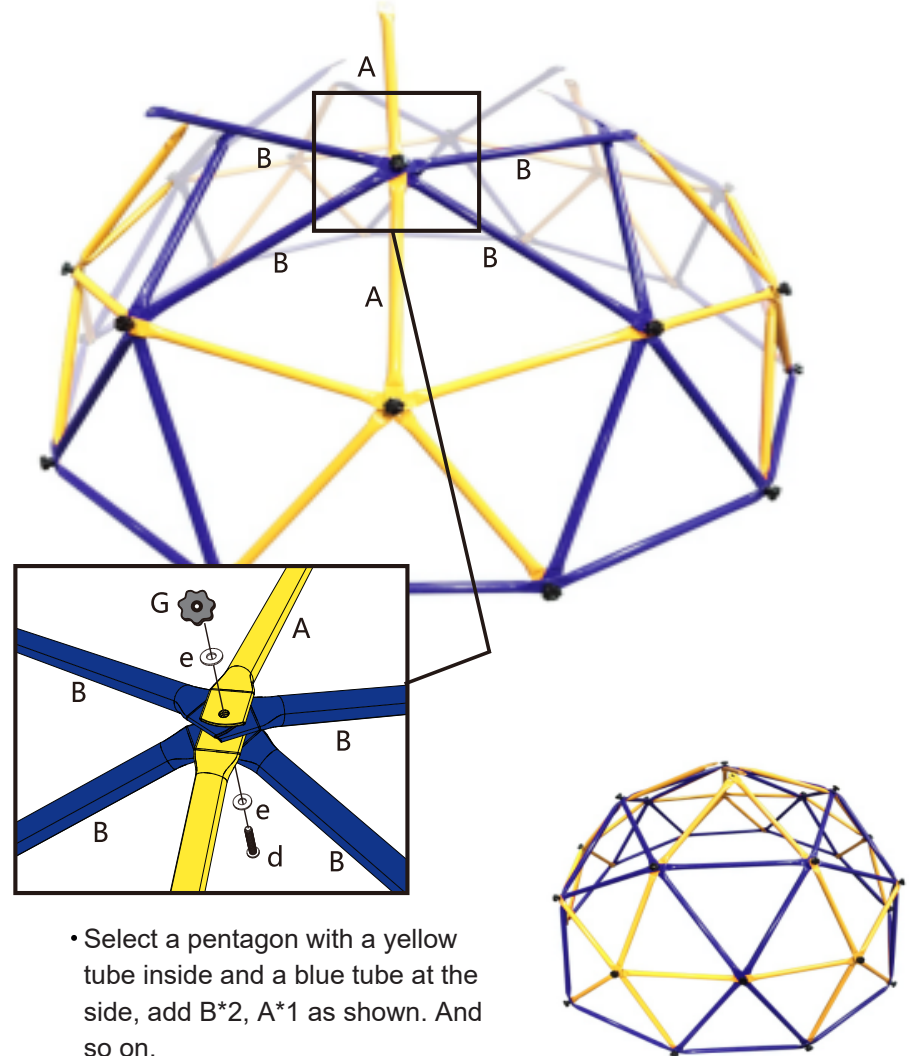


• And so on, forming a semicircle.

PRODUCT ASSEMBLY

STEP 6

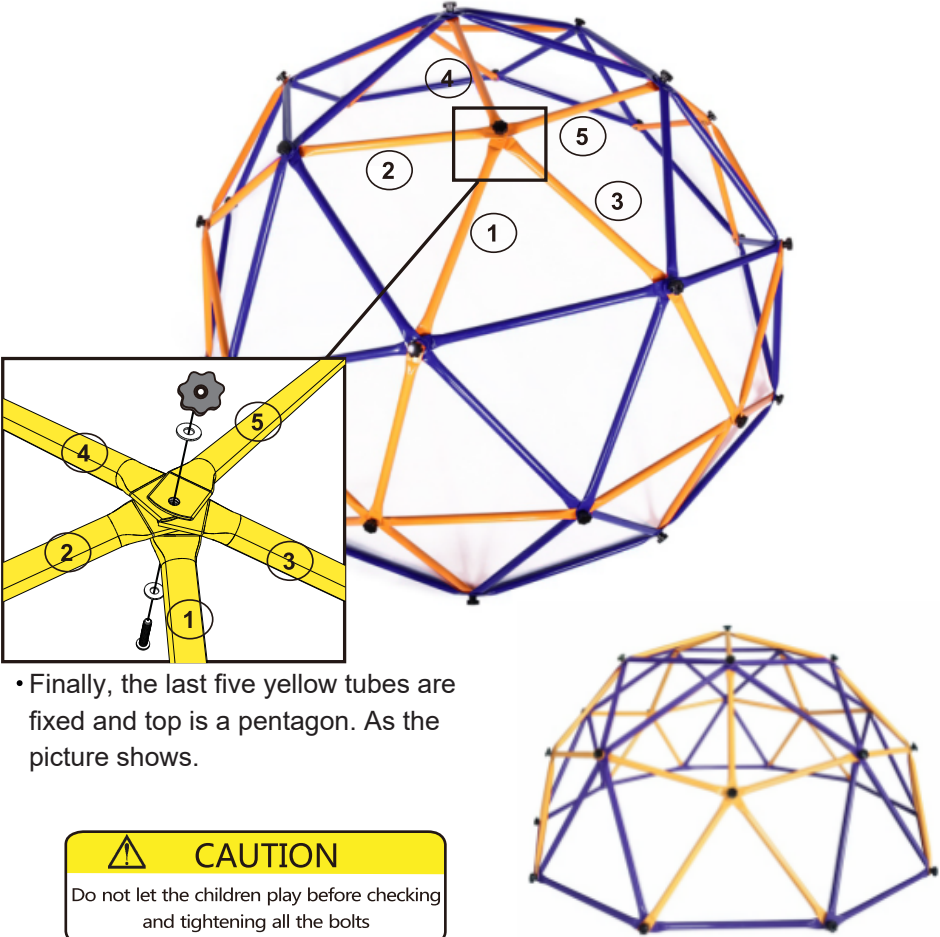
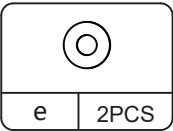
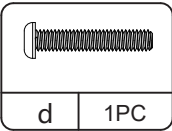
			
B 5PCS	G 5PCS	d 5PCS	e 10PCS



• Select a pentagon with a yellow tube inside and a blue tube at the side, add B\*2, A\*1 as shown. And so on.

PRODUCT ASSEMBLY

STEP 7



• Finally, the last five yellow tubes are fixed and top is a pentagon. As the picture shows.

**CAUTION**  
Do not let the children play before checking and tightening all the bolts